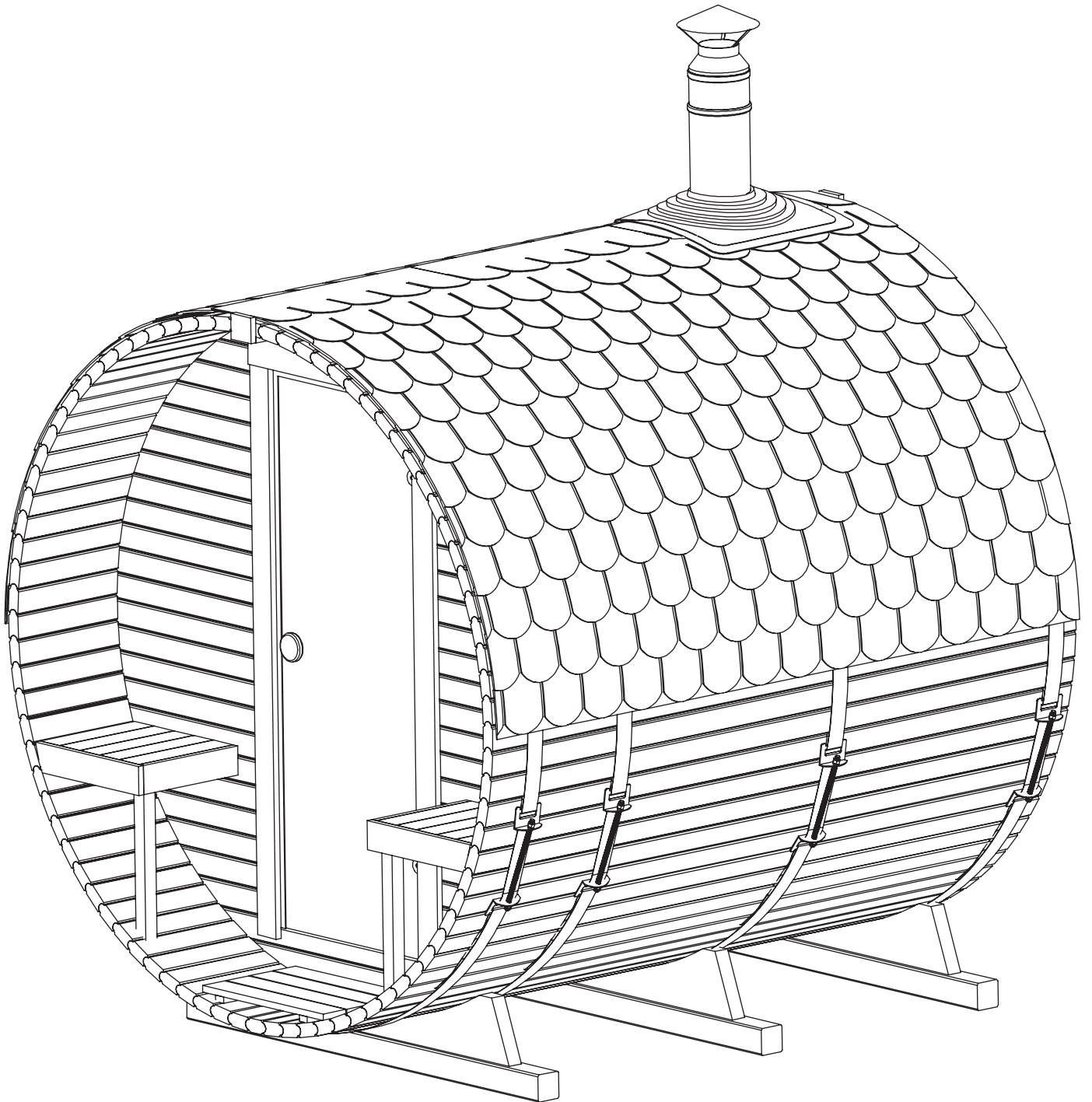
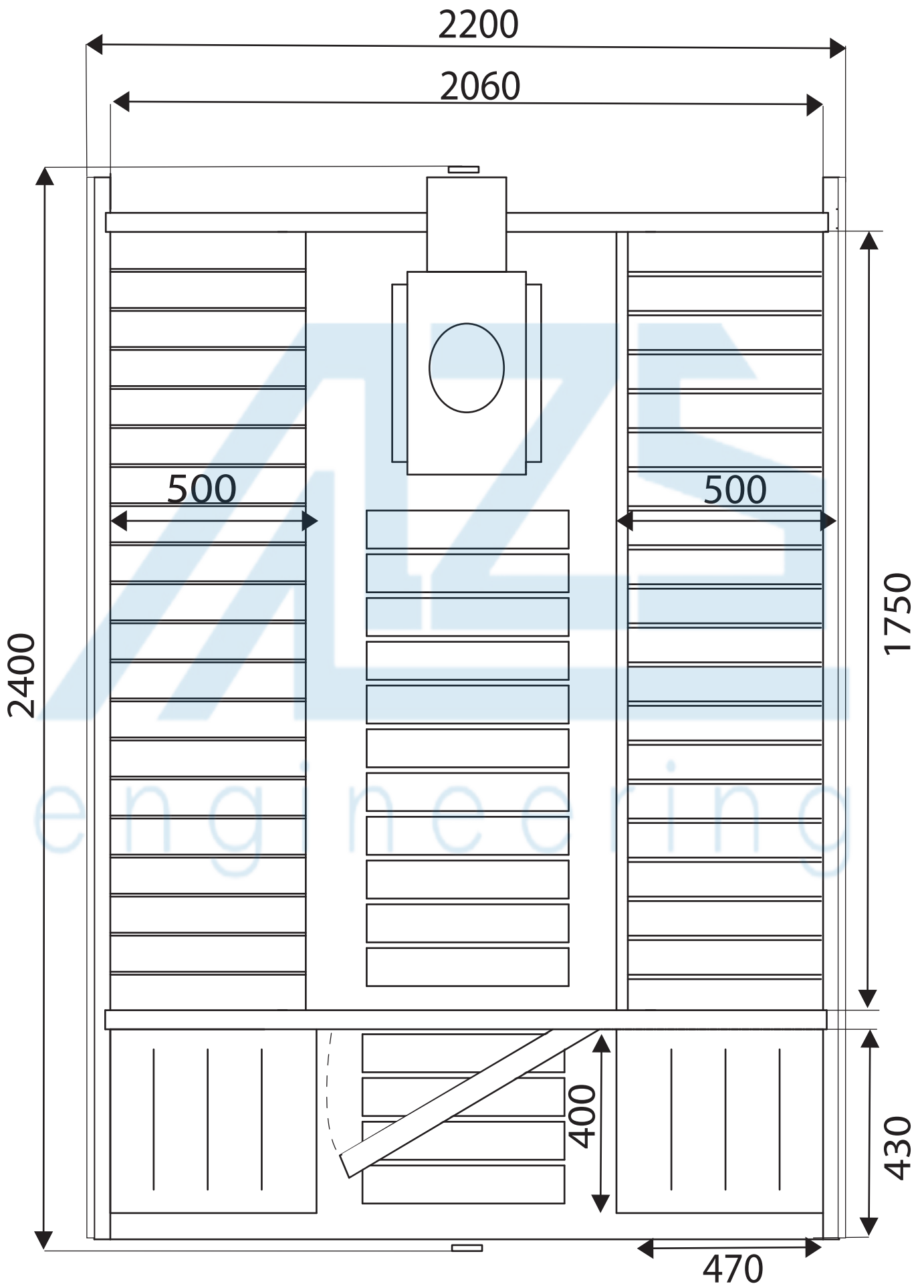


# Sauna BARREL model 2QR

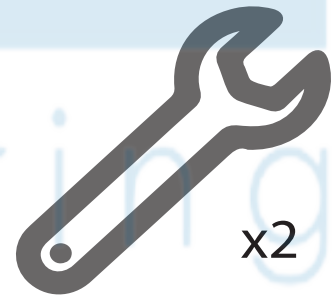
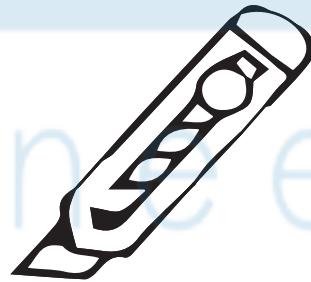
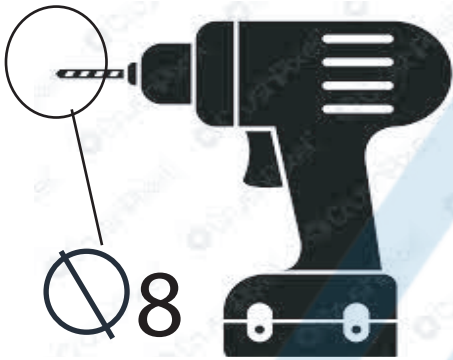
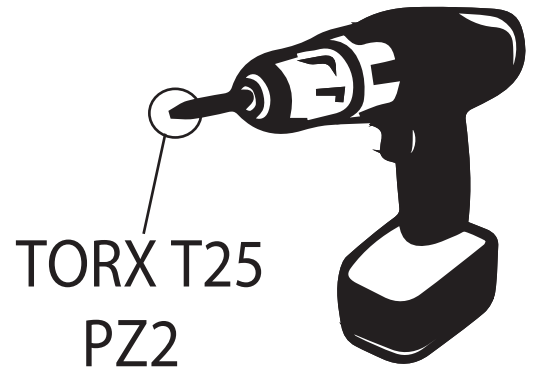
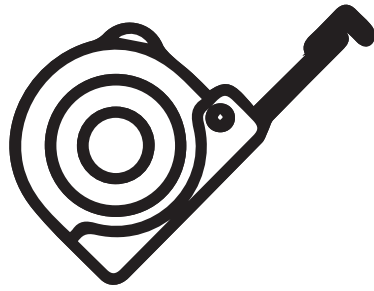
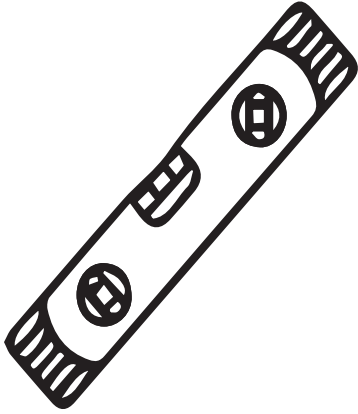
## Instructions for installation



SaunaWoods



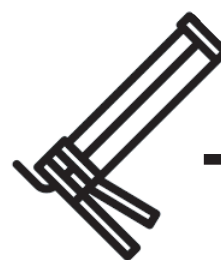
# necessary tools



+



+



**NOT INCLUDED!**

9325  
527x

45120  
280x

4570  
220x

4460  
6x

4241  
44x

4345  
67x

J  
8x

2012  
8x

L60  
4x

K60  
8x

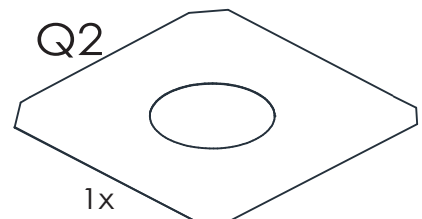
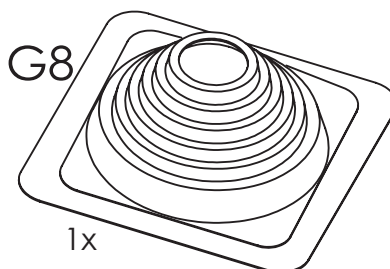
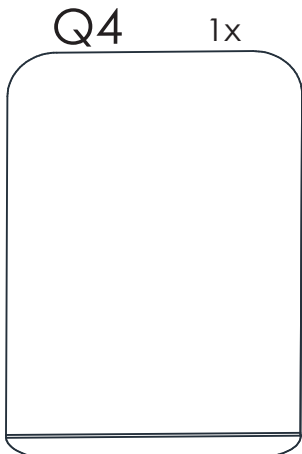
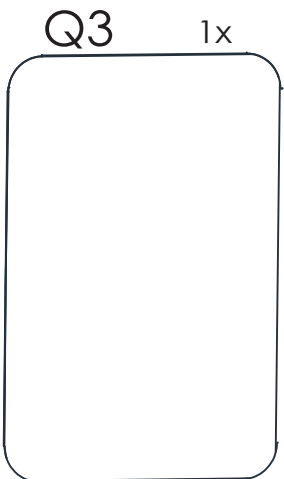
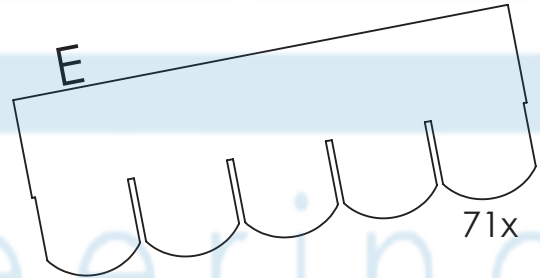
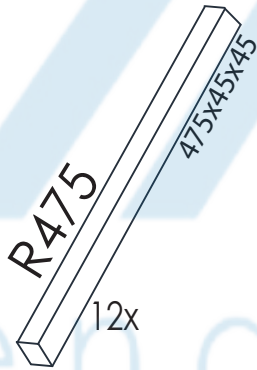
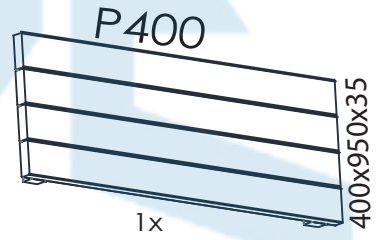
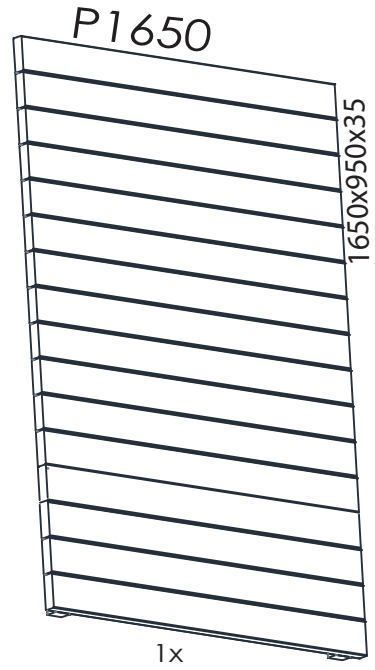
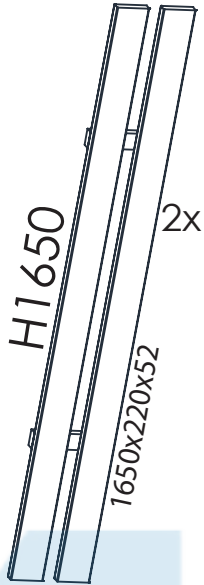
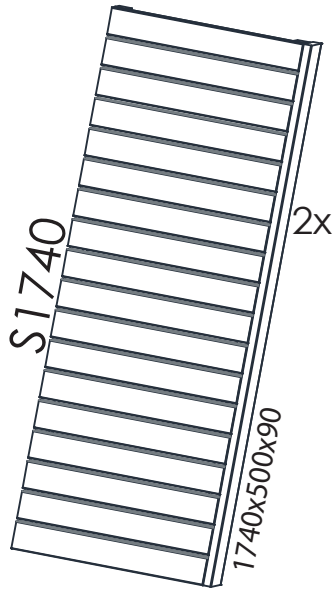
732012  
4x

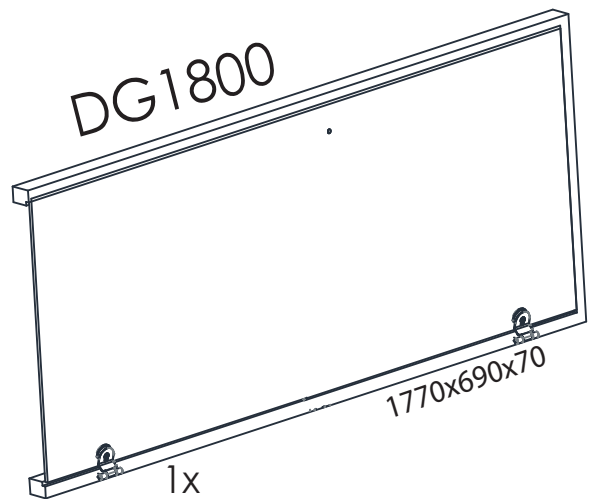
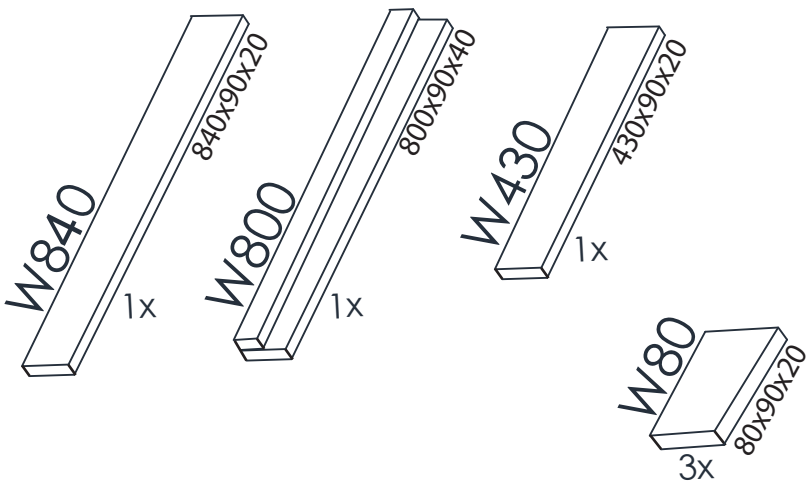
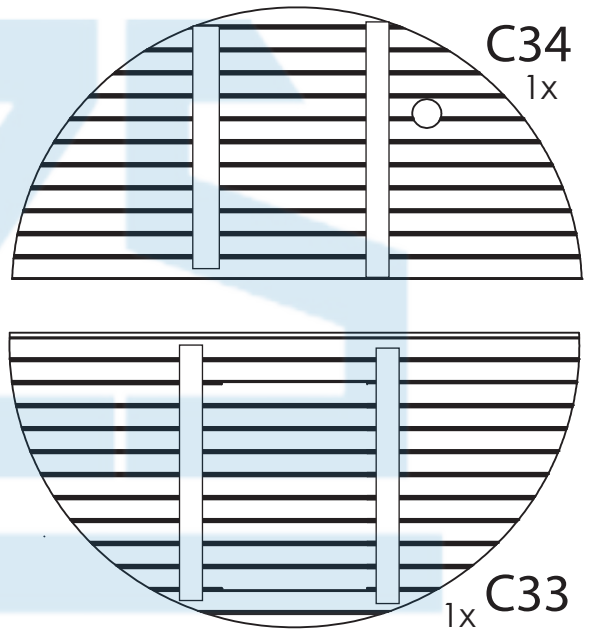
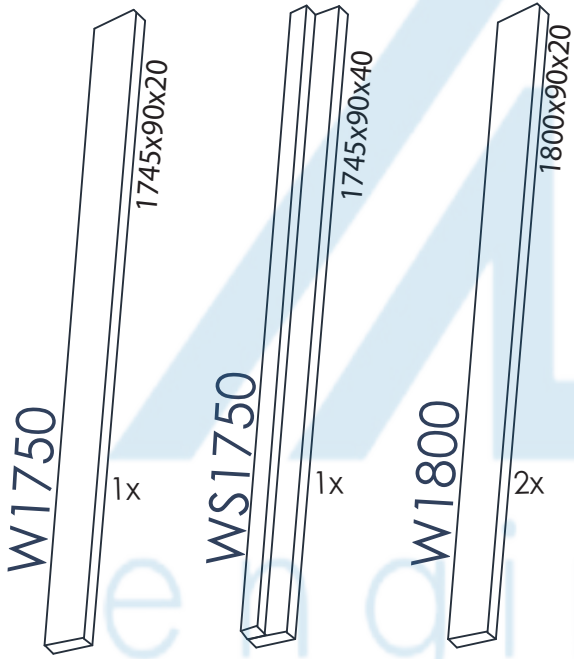
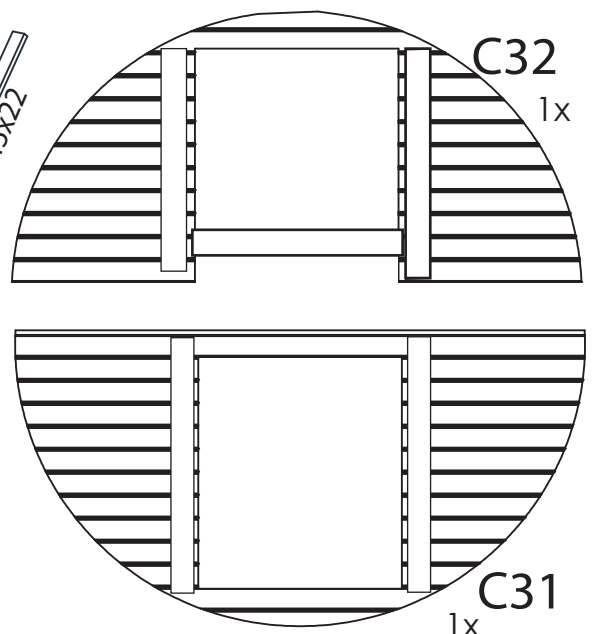
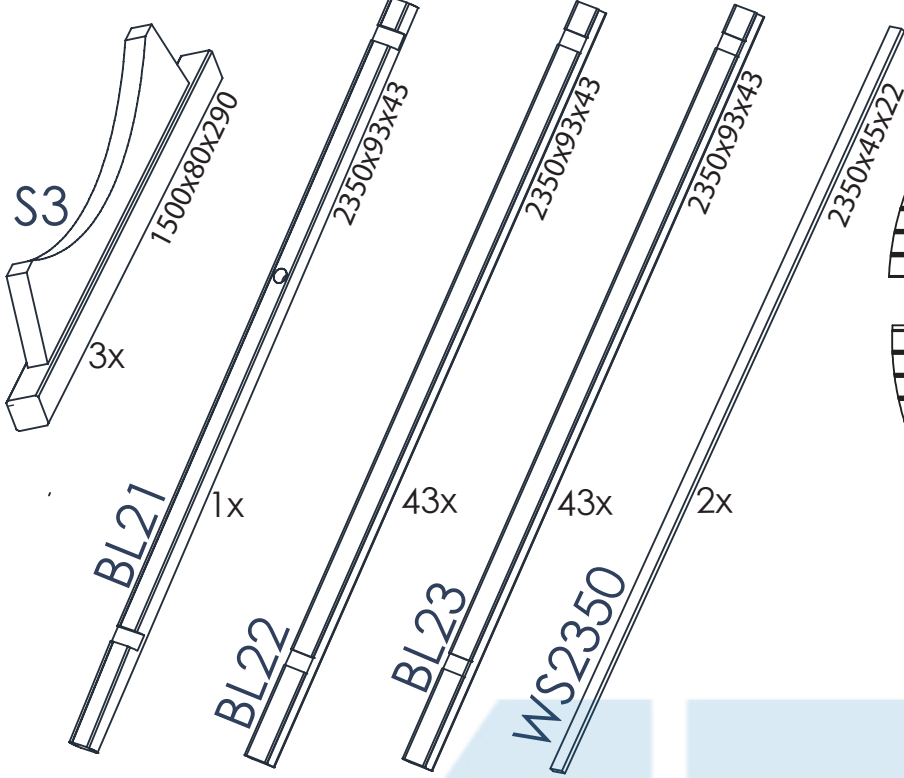
engineering

SET2  
1x

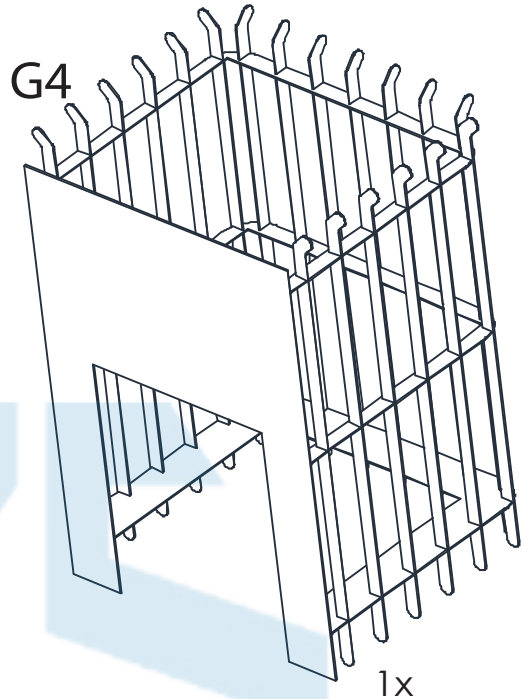
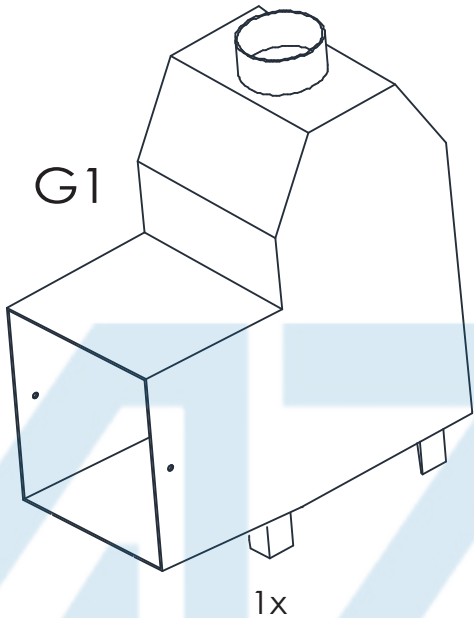
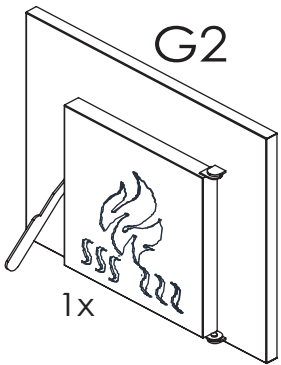
SET3  
1x

Q1  
1x

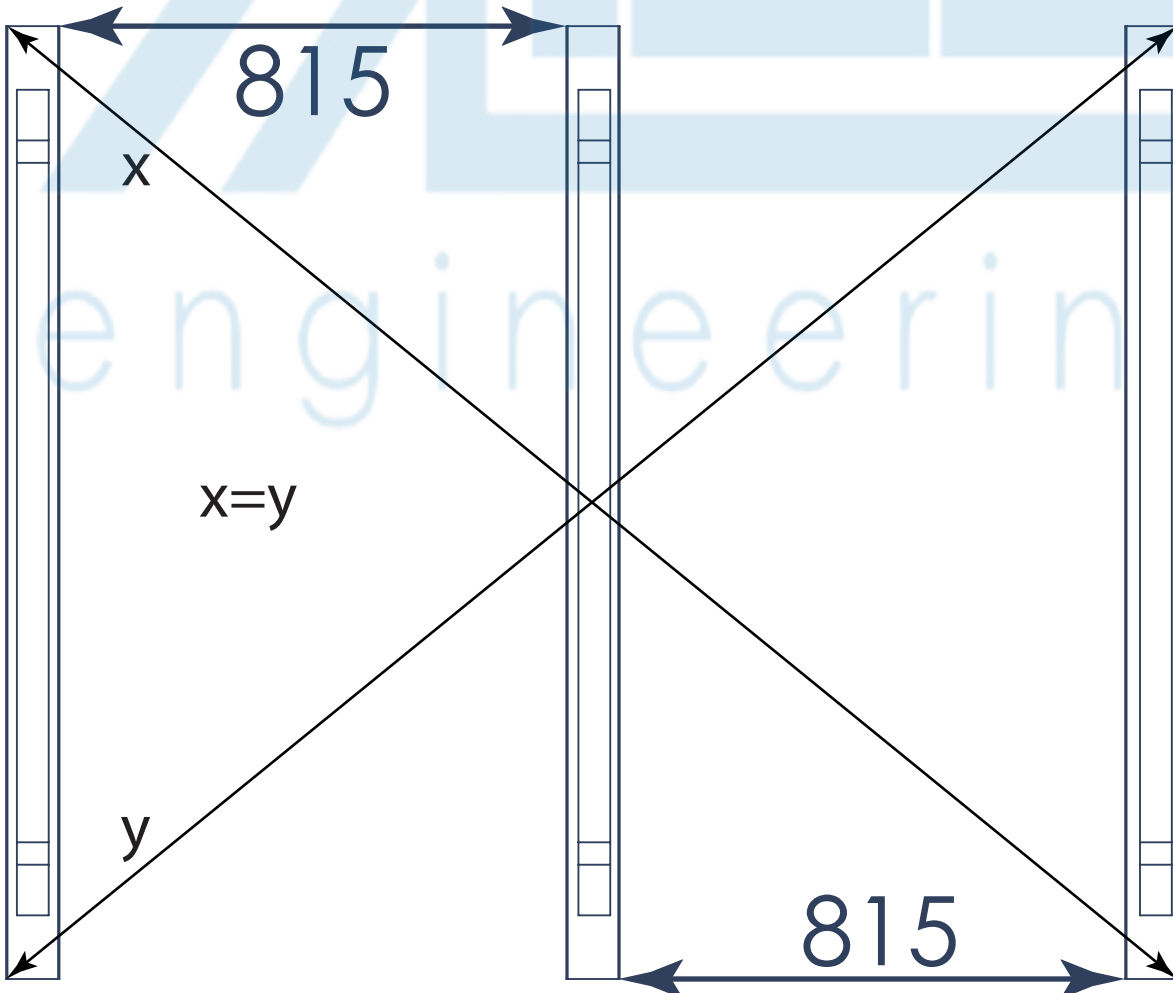
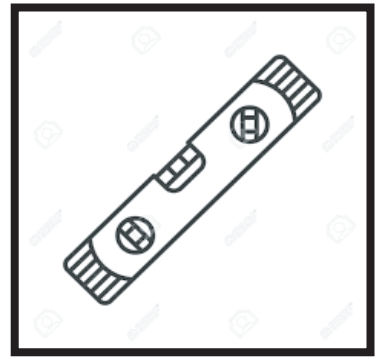
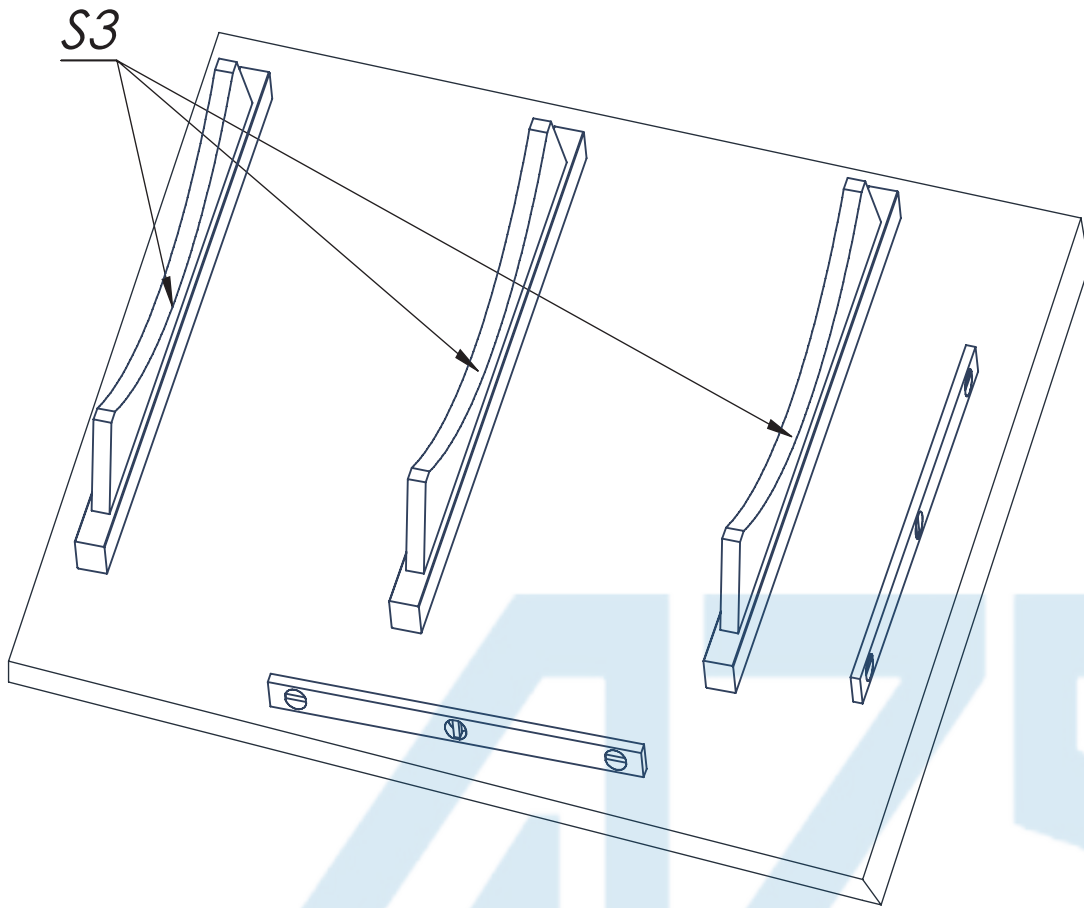




A SET FOR INSTALLING WOOD-BURNING STOVE (NOT INCLUDED).  
PURCHASED SEPARATELY

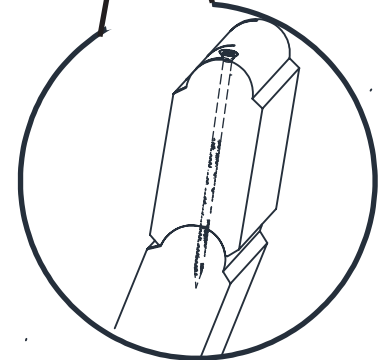
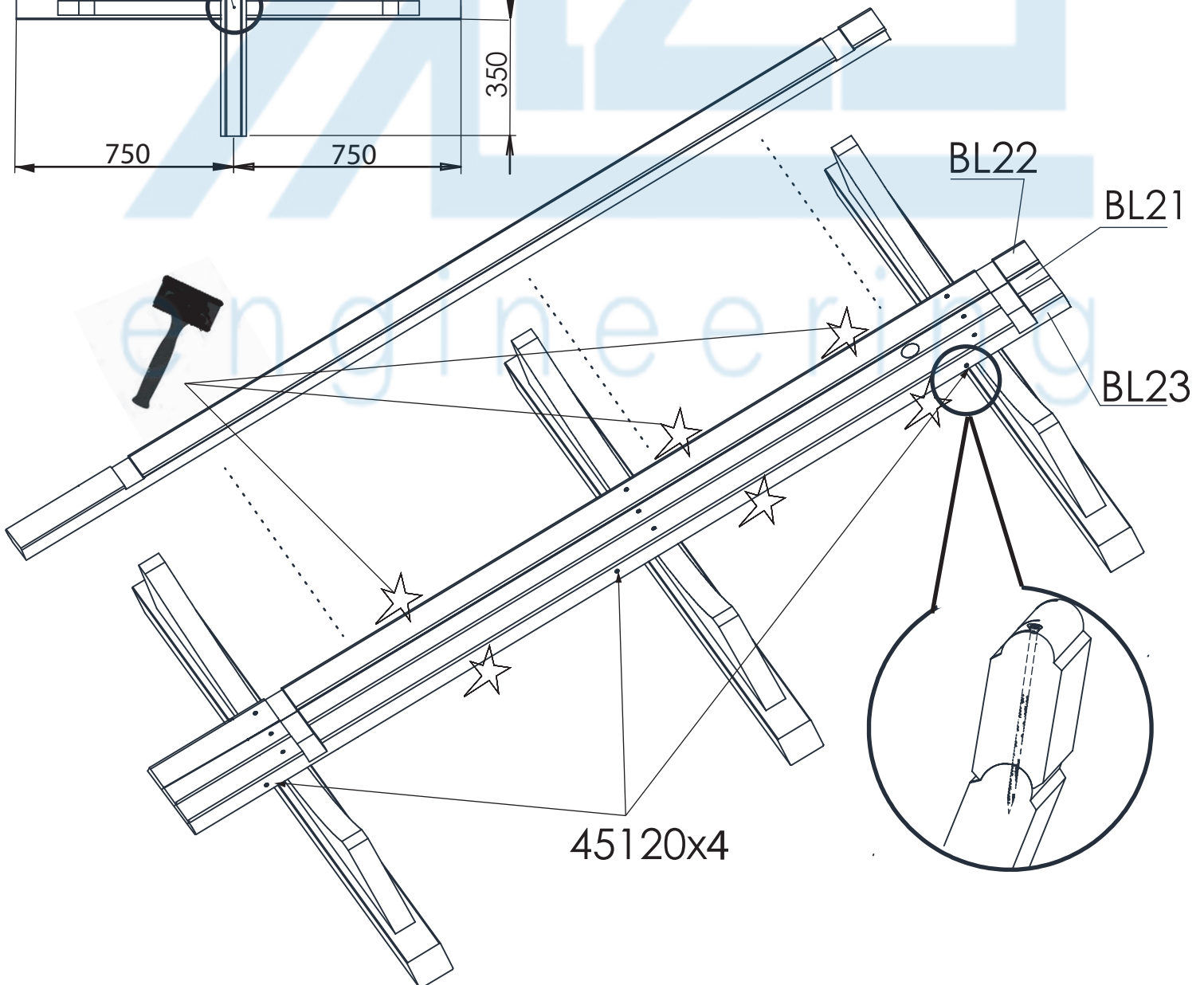
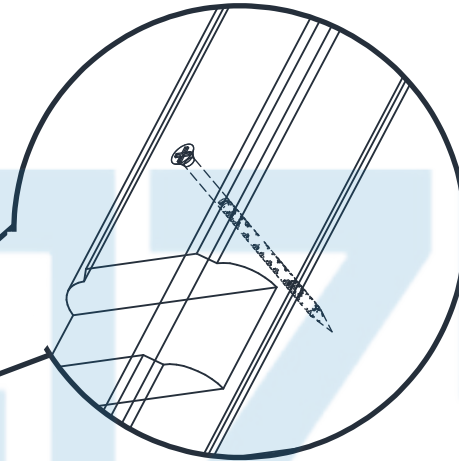
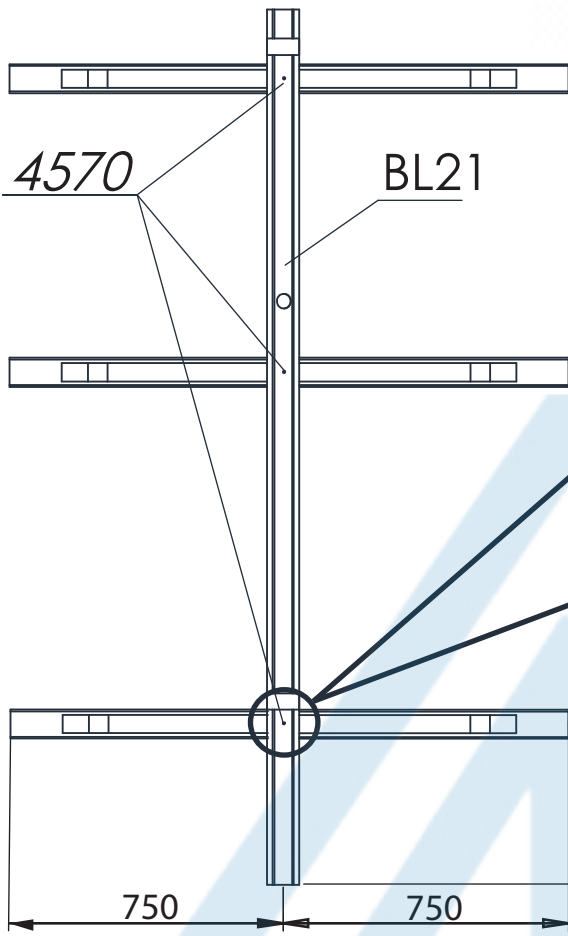
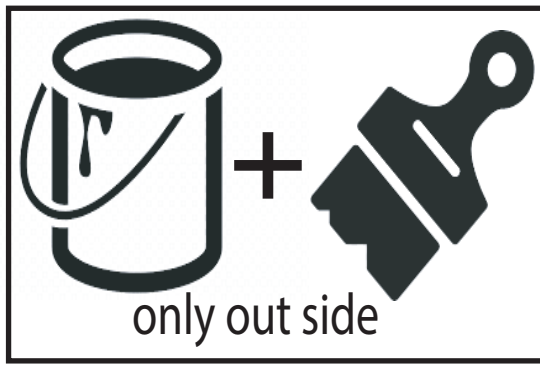


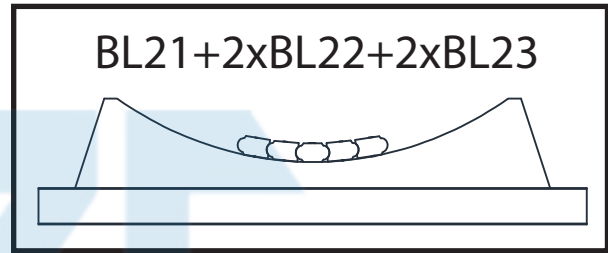
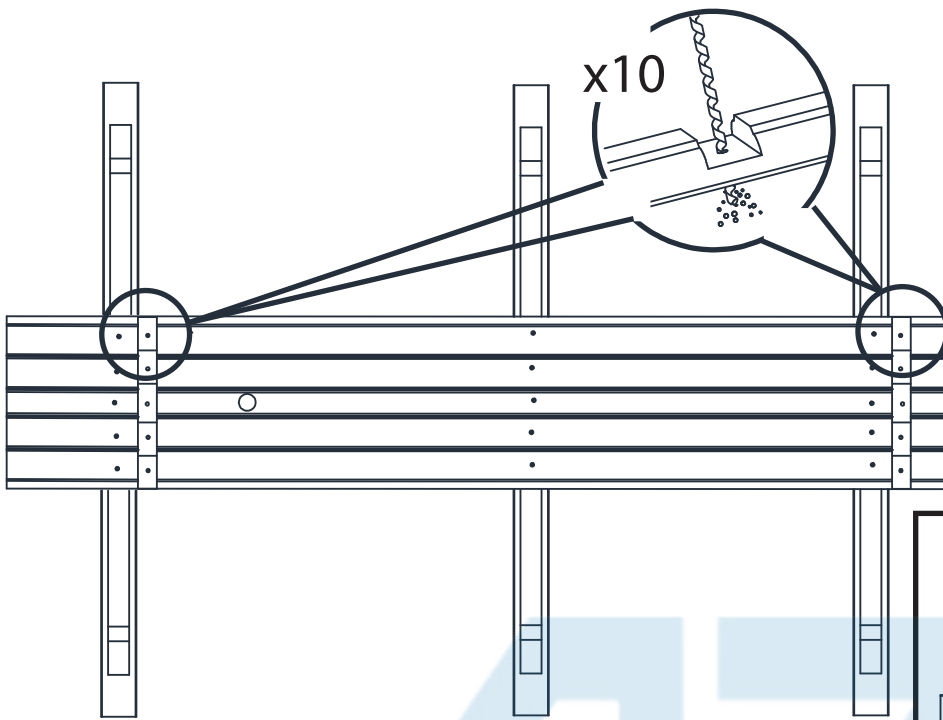
S3 - 3



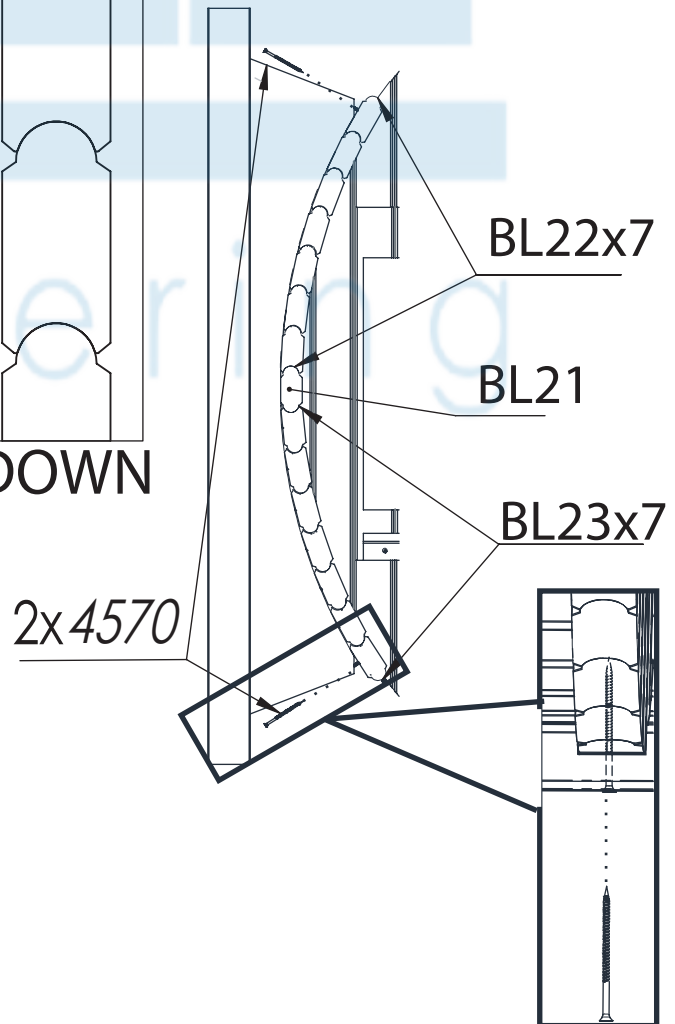
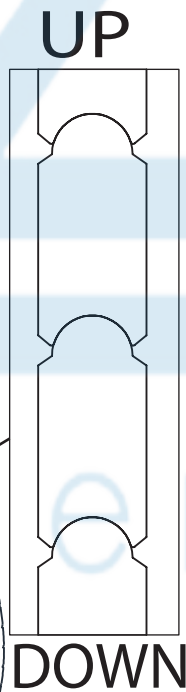
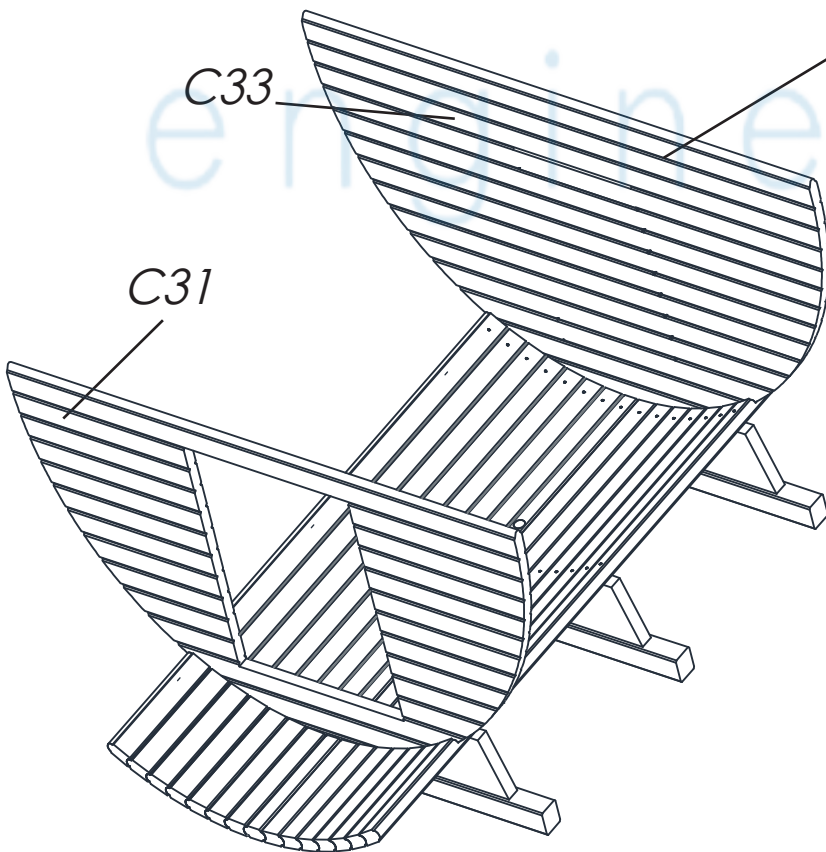


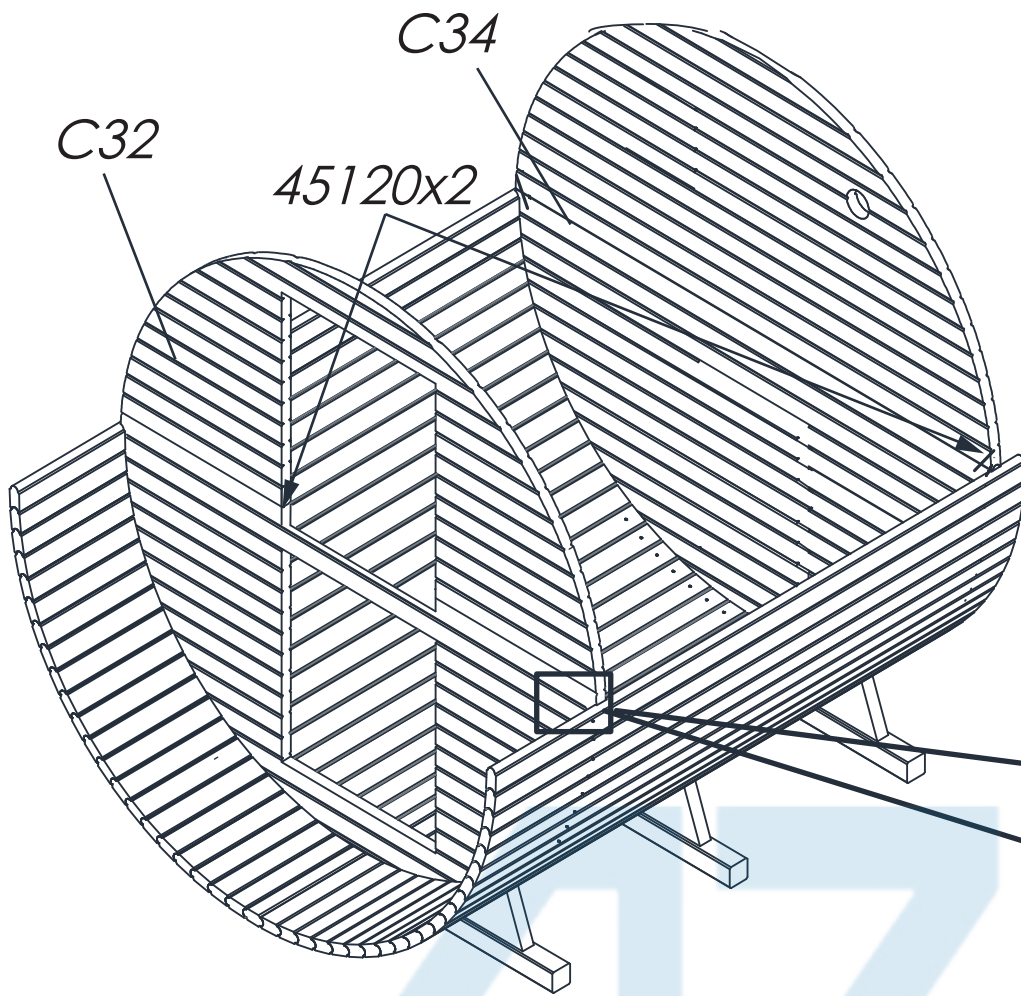
BL21 - 1 | 4570 - 15  
BL22 - 2 | 45120 - 16  
BL23 - 2 |



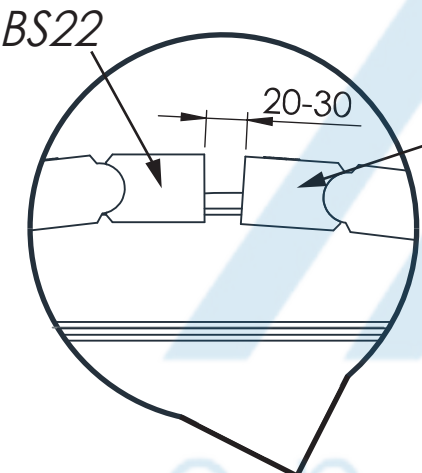
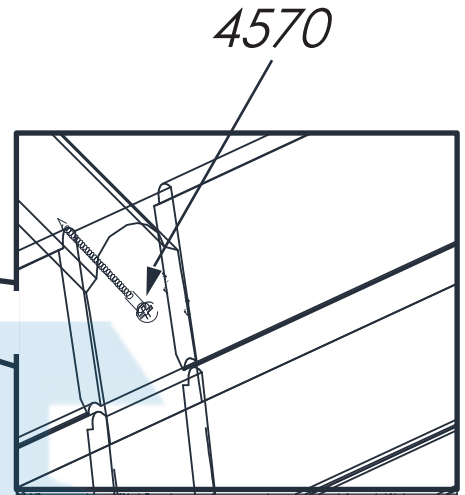


- BL22 - 5
- BL23 - 5
- C31 - 1
- C33 - 1
- 4570 - 34
- 45120 - 40

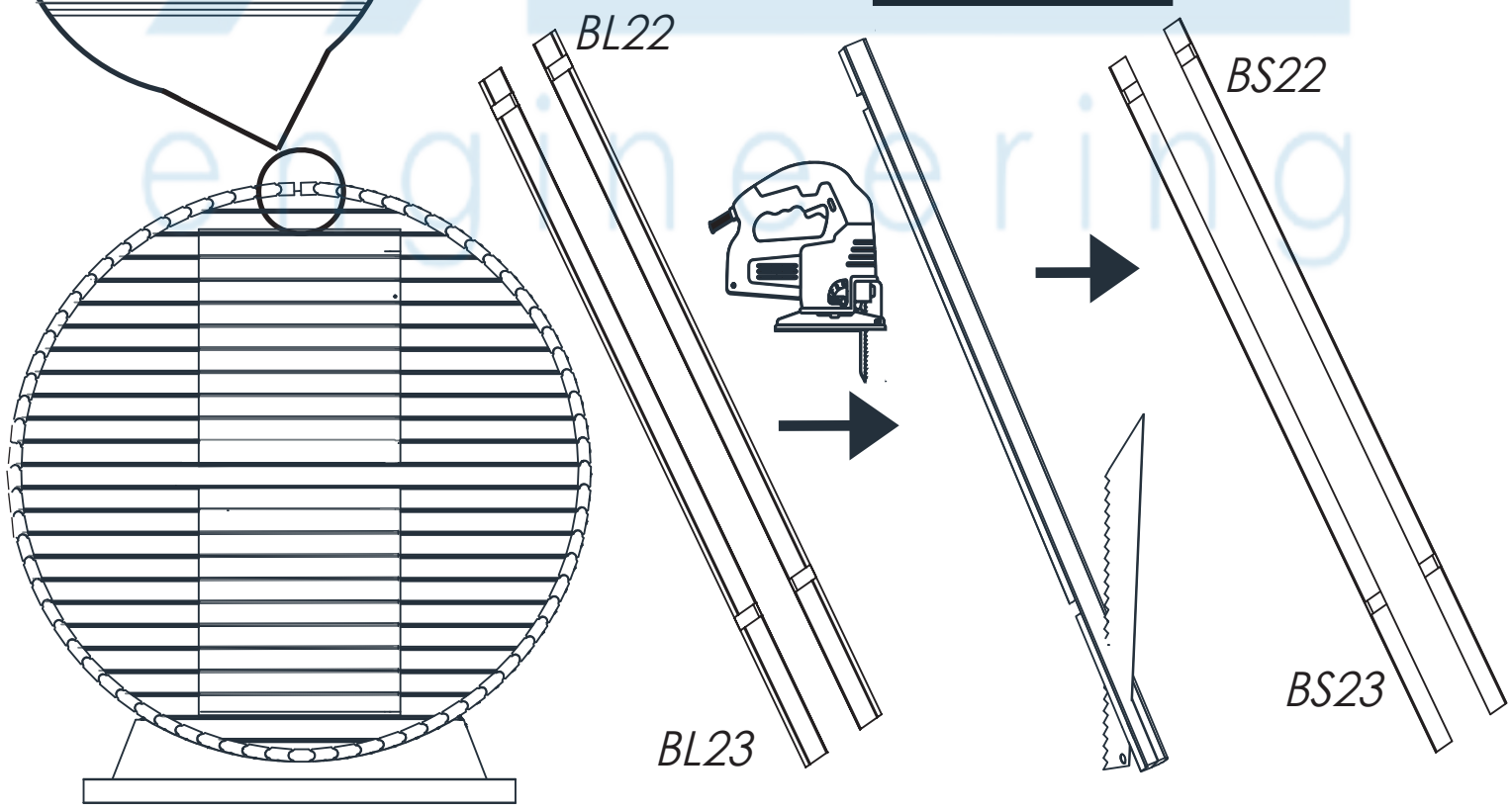


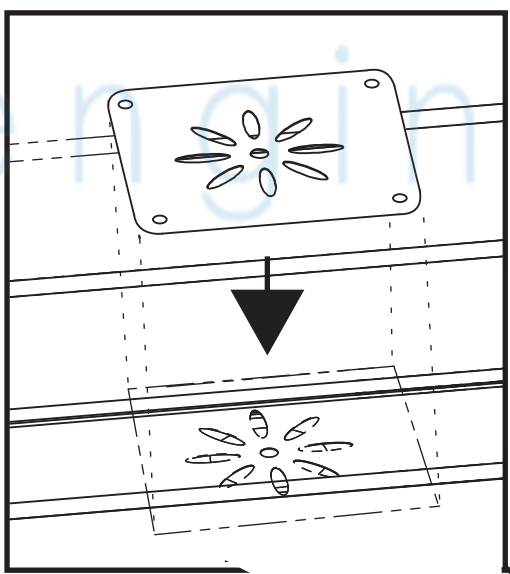
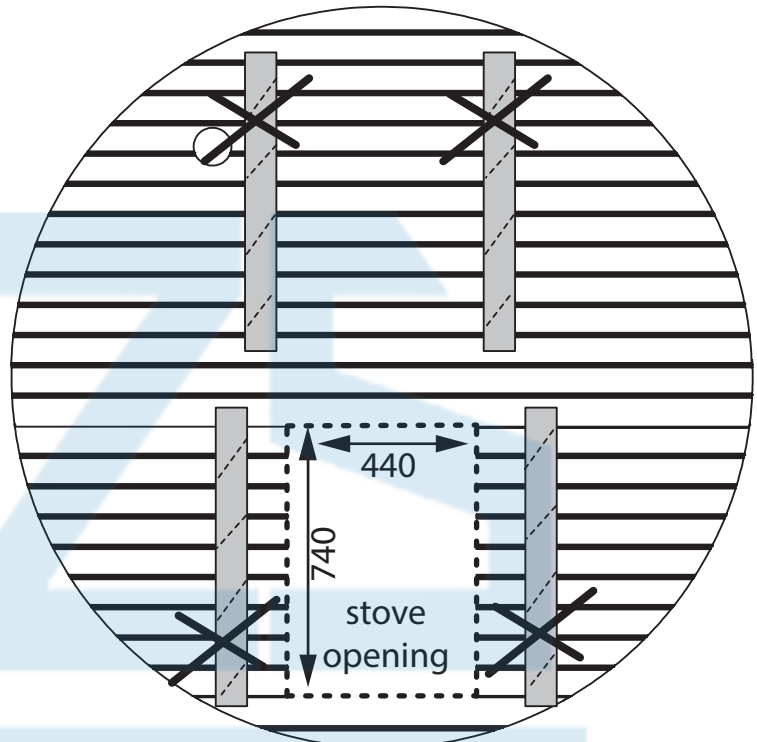
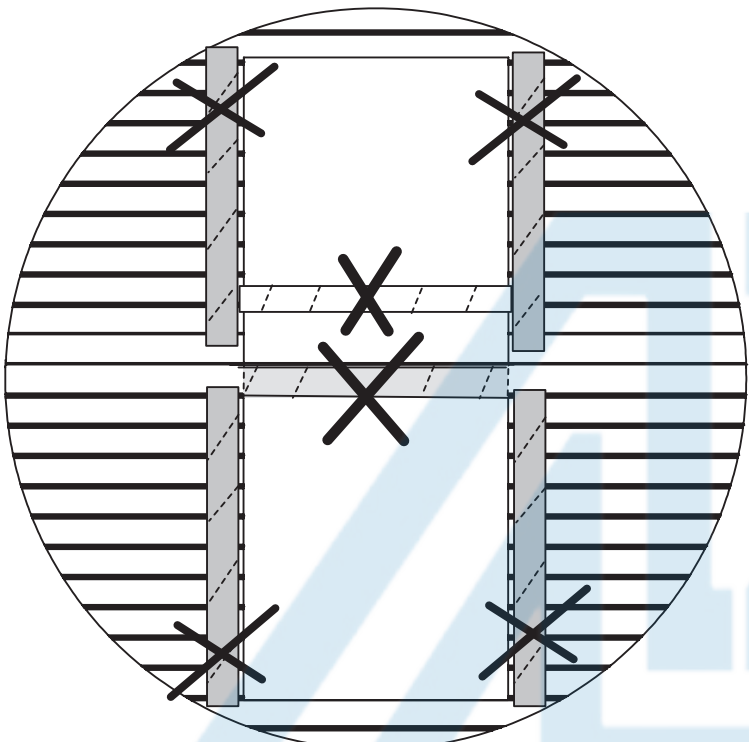
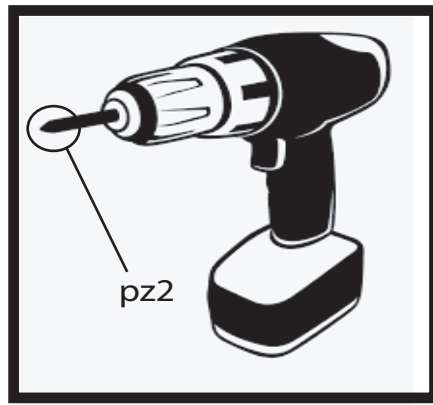


C32- 1  
 C34- 1  
 BL22 - 14  
 BL23 - 14  
 4570 - 56  
 45120 - 112

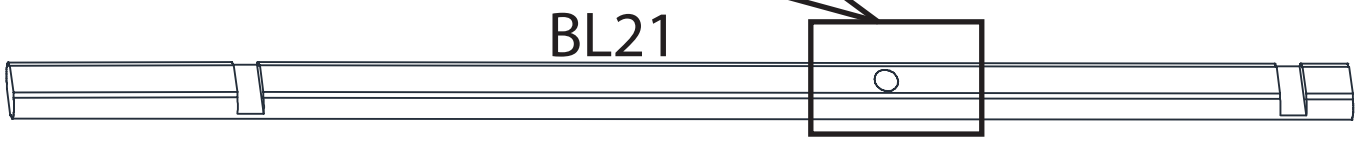


BL22 - 20  
 BL23 - 20  
 4570 - 80  
 45120 - 160



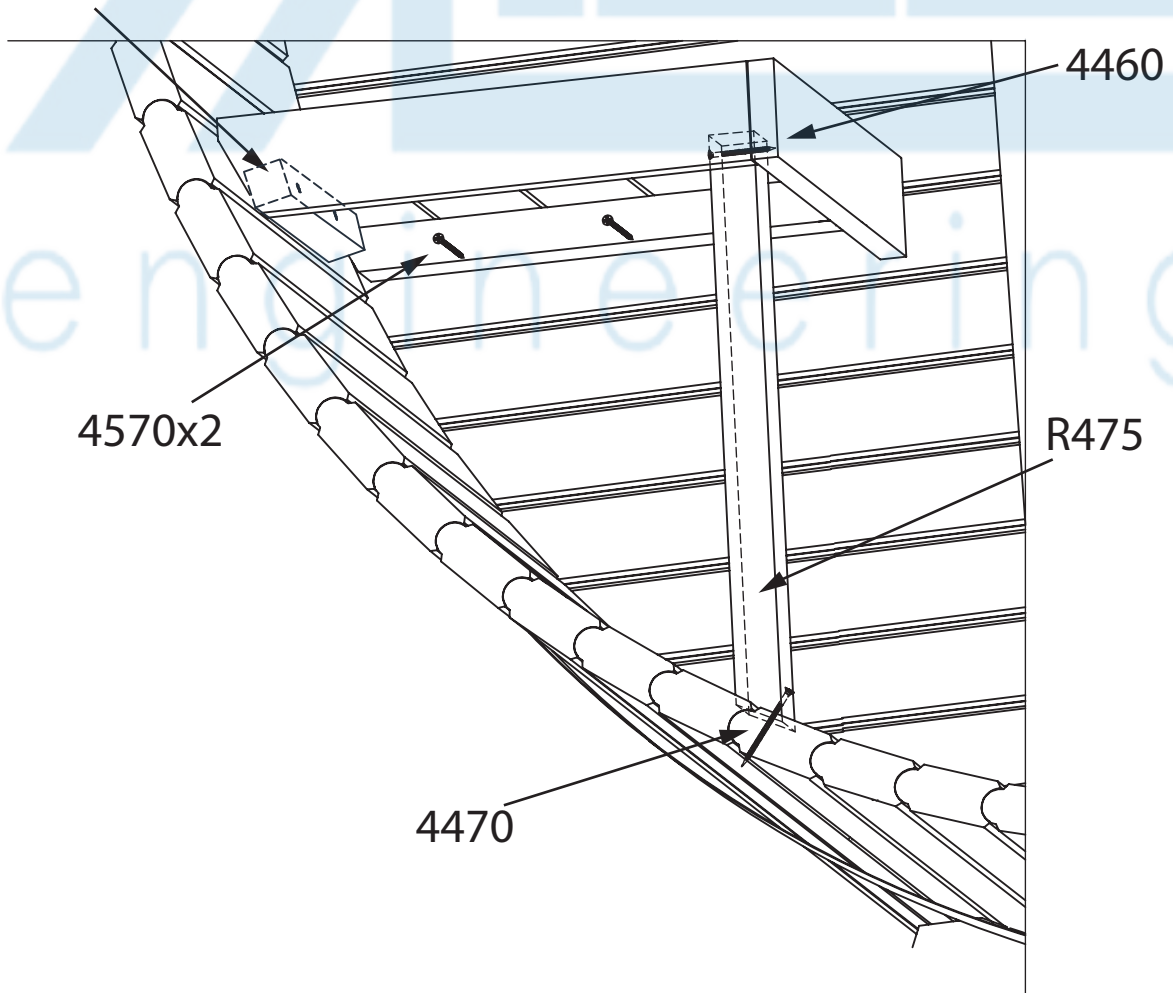
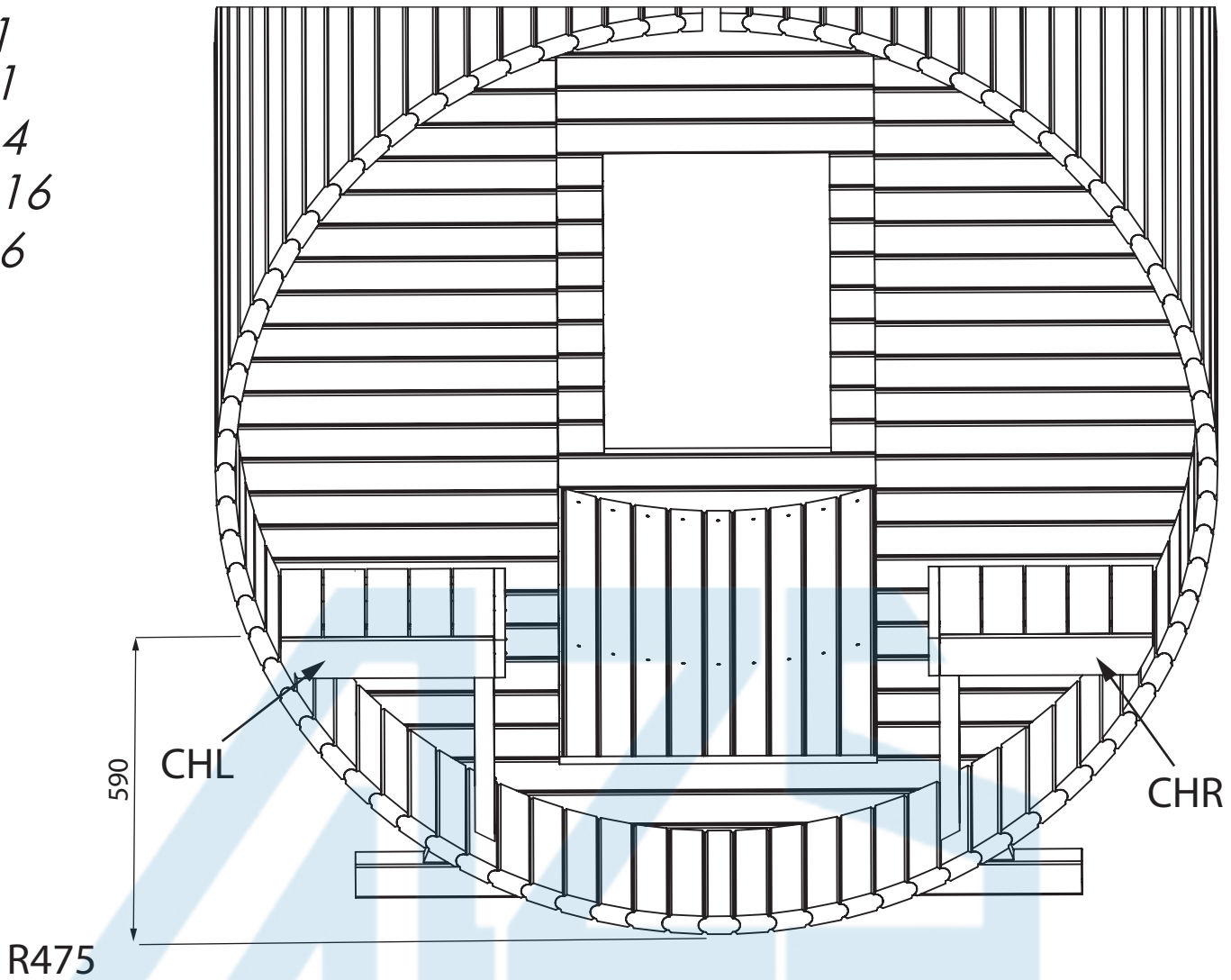


Q1 - 1  
4345 - 4

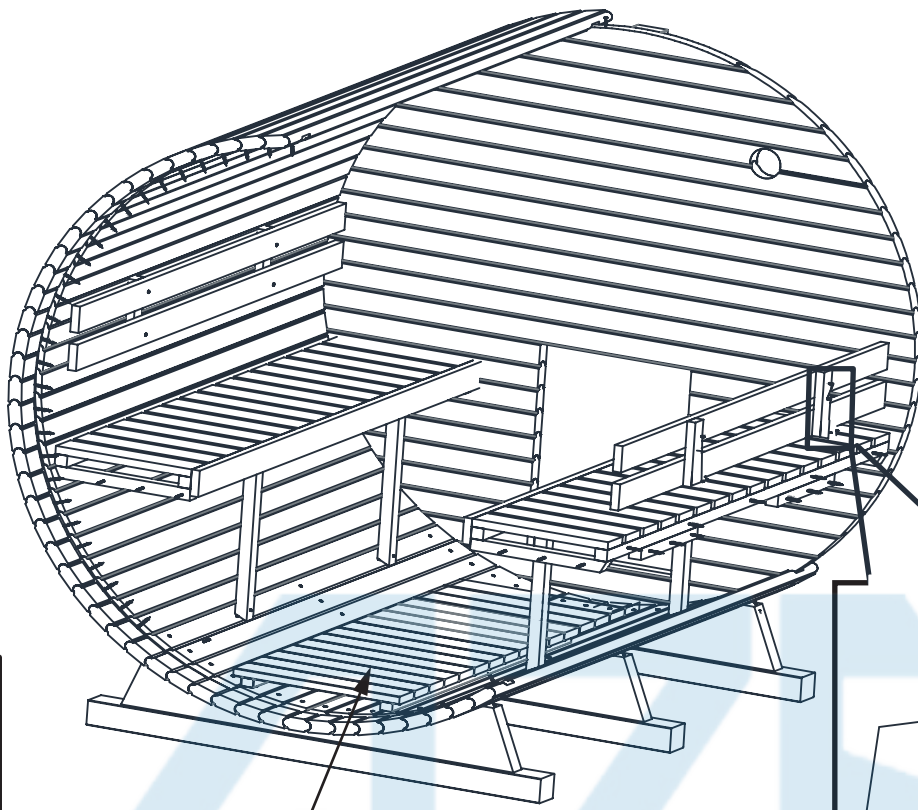


BL21

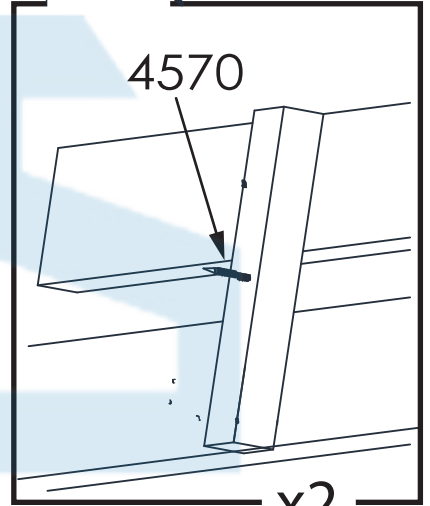
CHL - 1  
CHR - 1  
R475 - 4  
4570 - 16  
4460 - 6



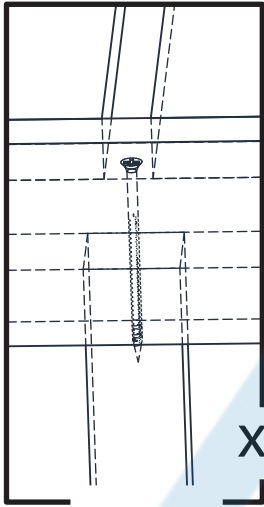
H1650 - 2  
S1740 - 2  
R475 - 12  
4570 - 36



P1650



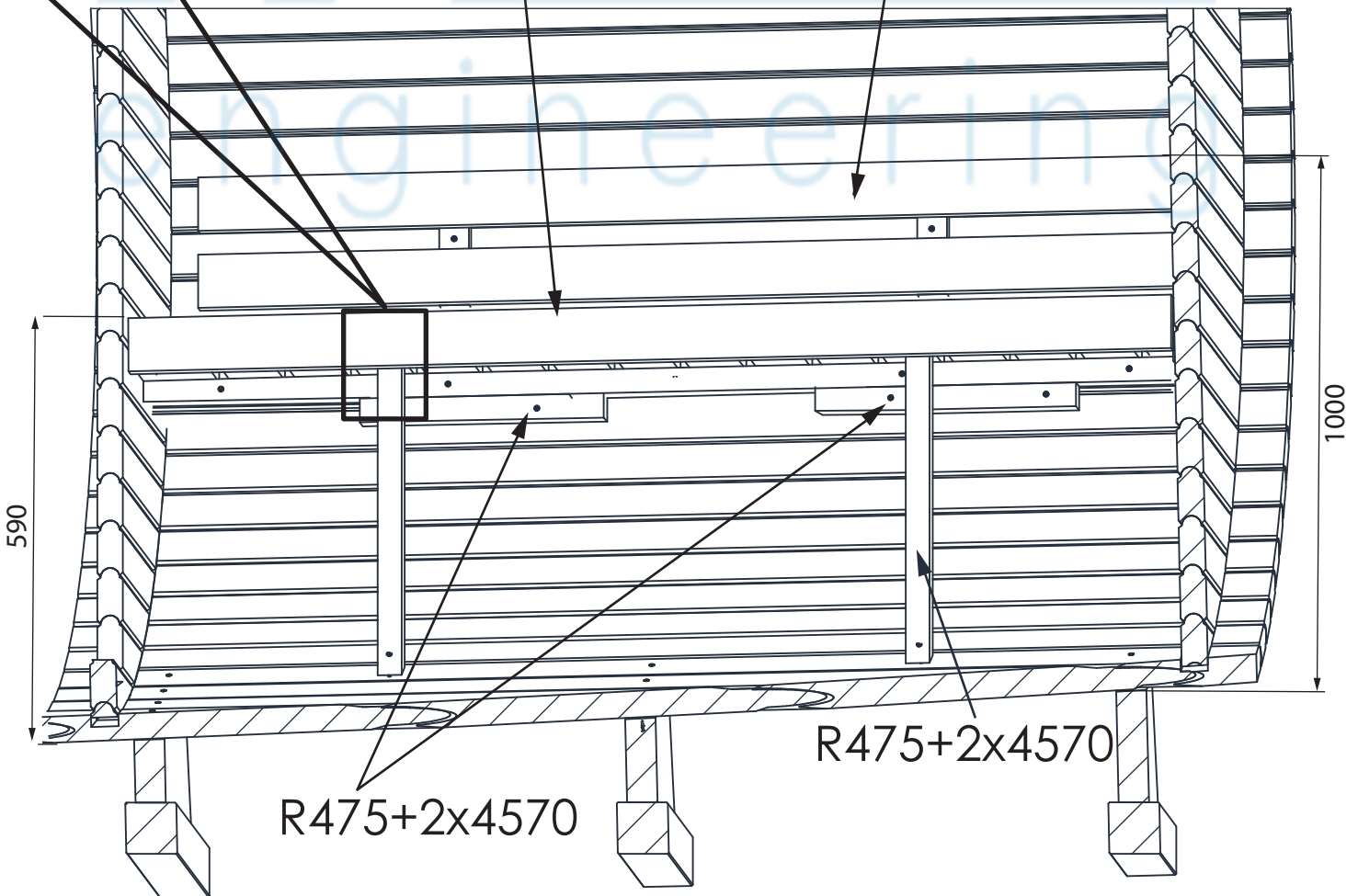
x2



x2

S1740+4x4570

H1650+2x4570

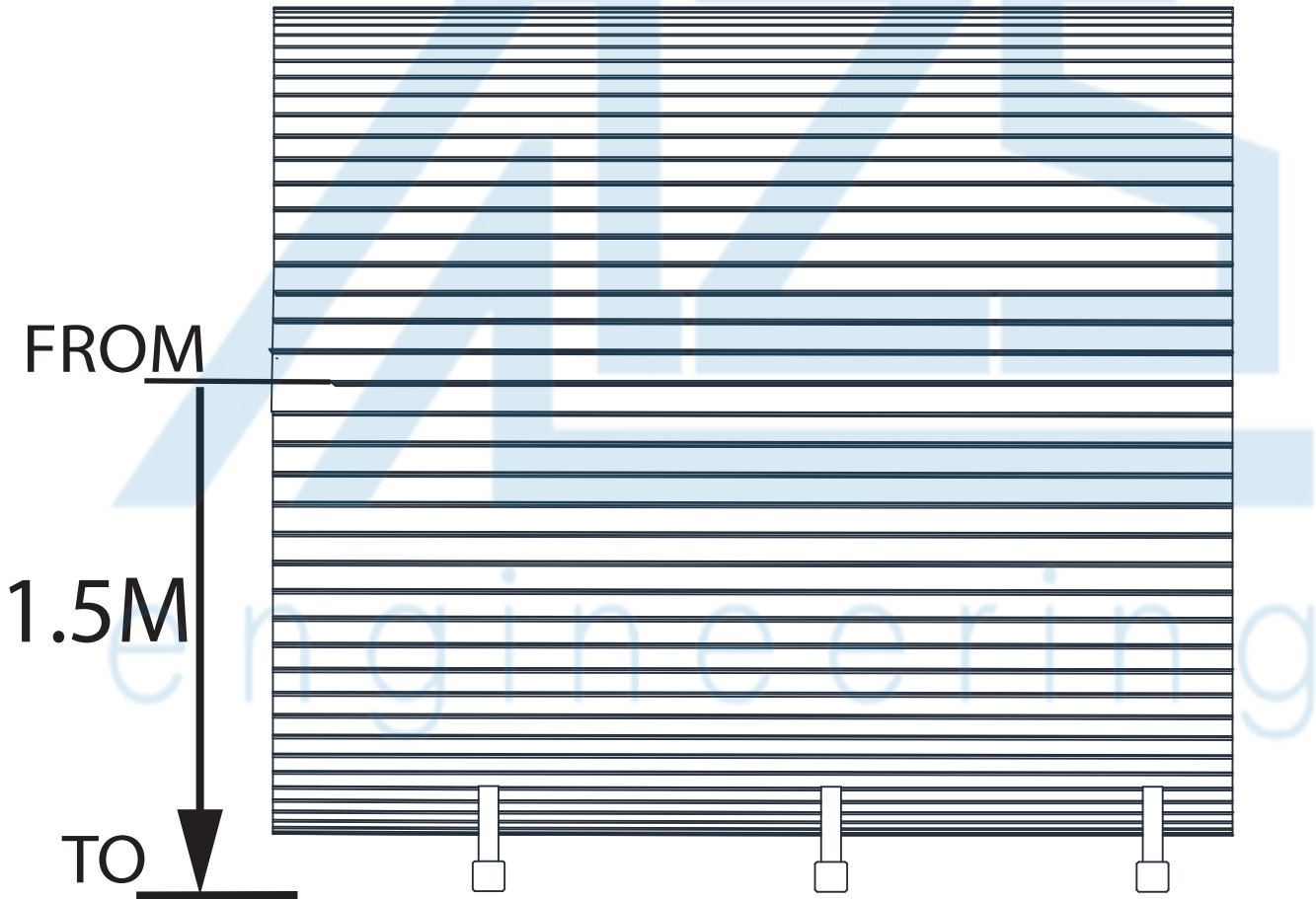
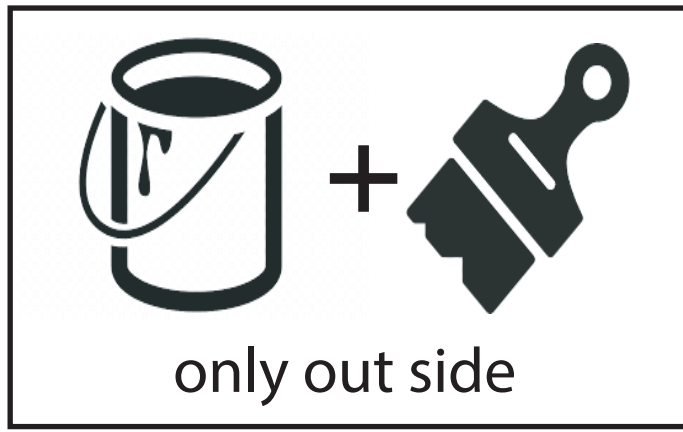


590

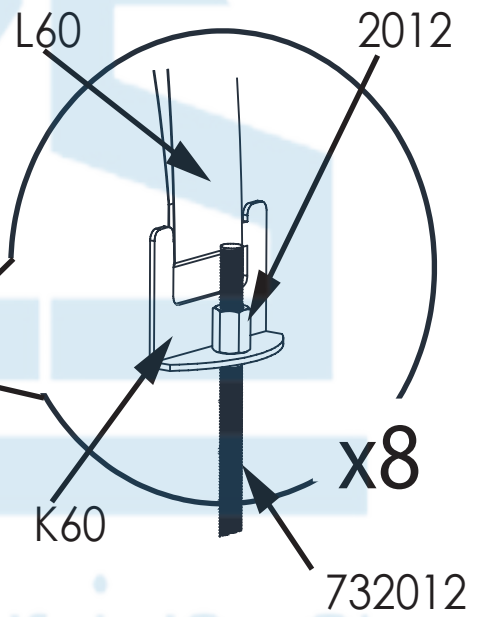
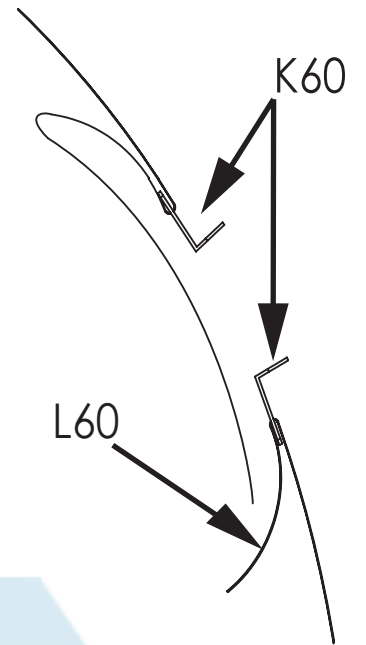
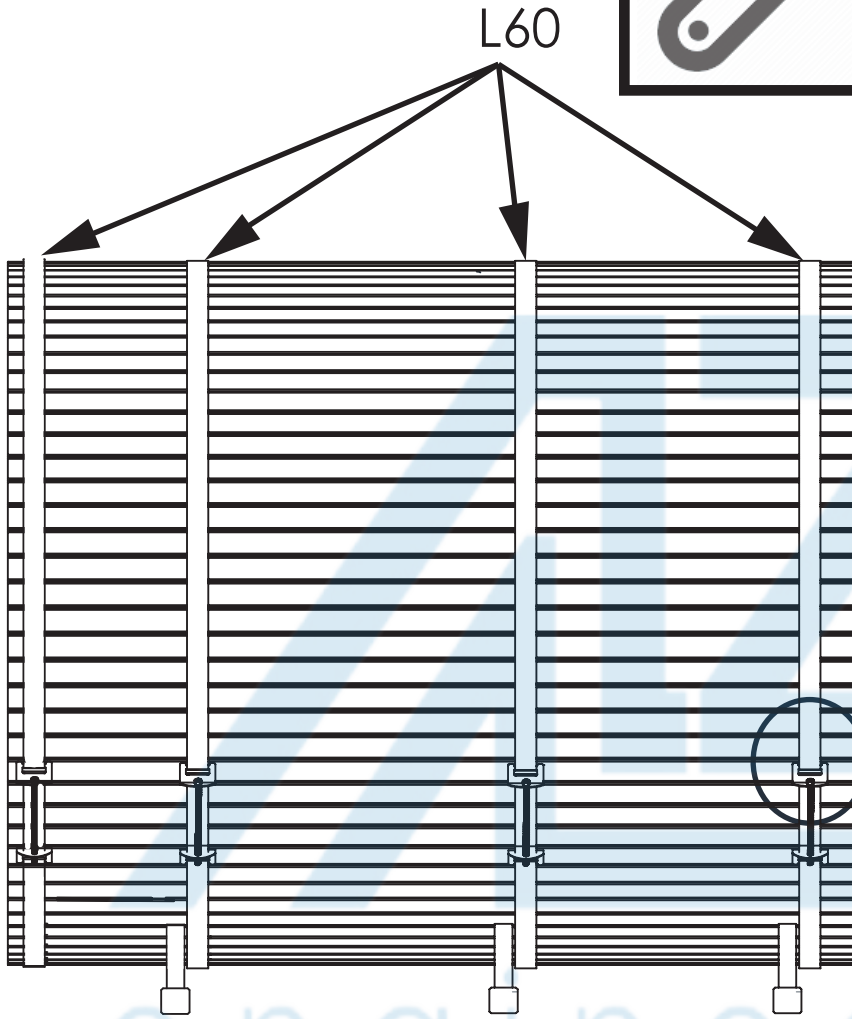
1000

R475+2x4570

R475+2x4570



L60 - 4  
K60 - 8  
2012 - 8  
732012 - 4

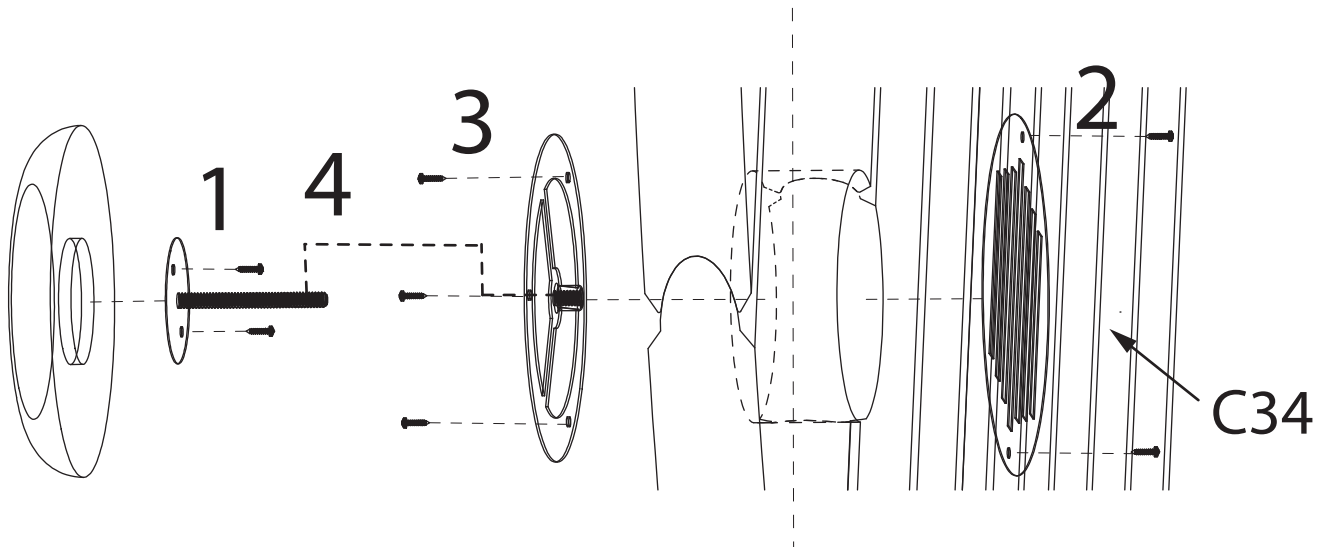


engineering

SET3

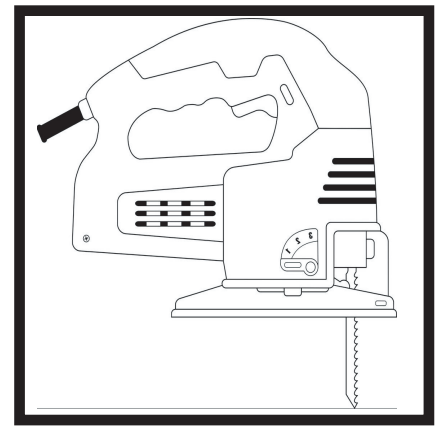
IN

OUT

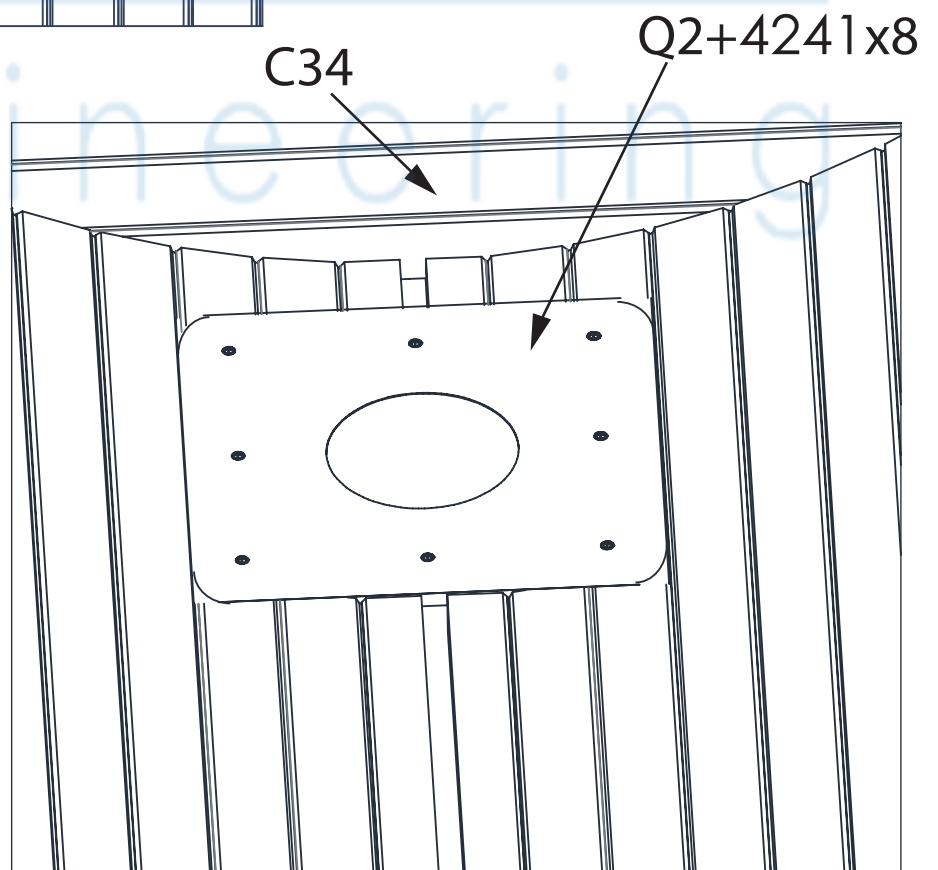
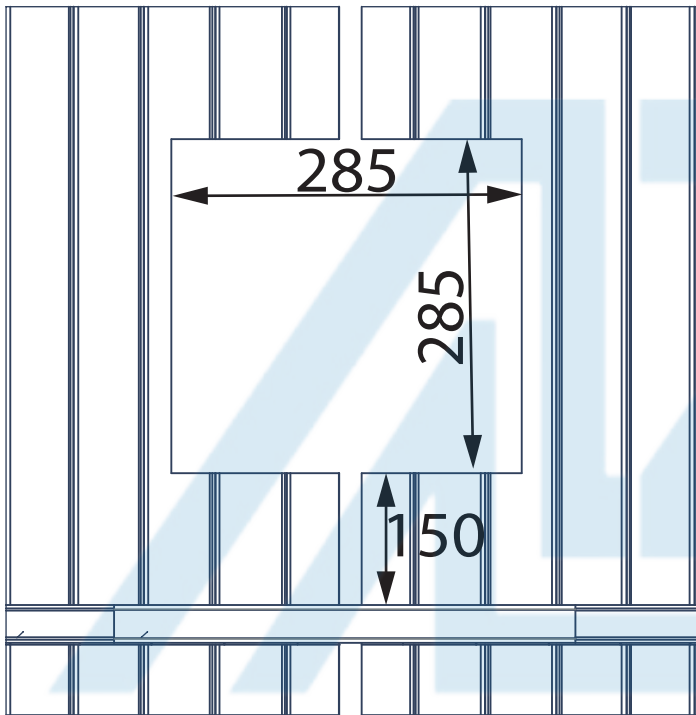




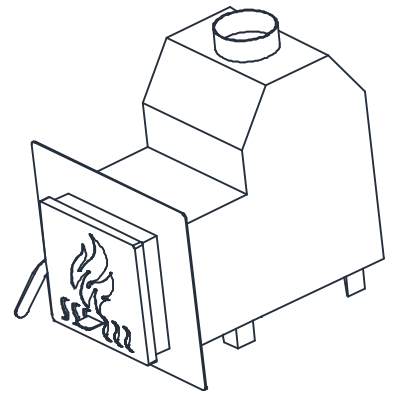
Q2 - 1  
4241 - 8



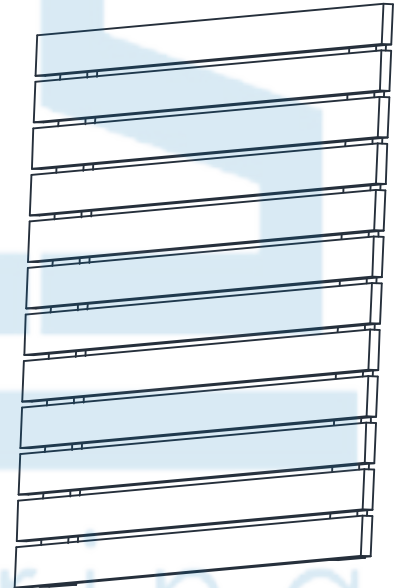
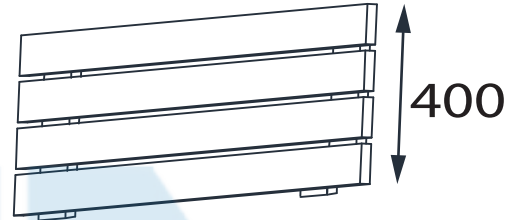
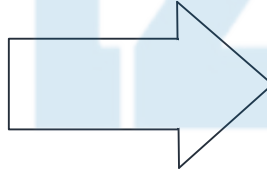
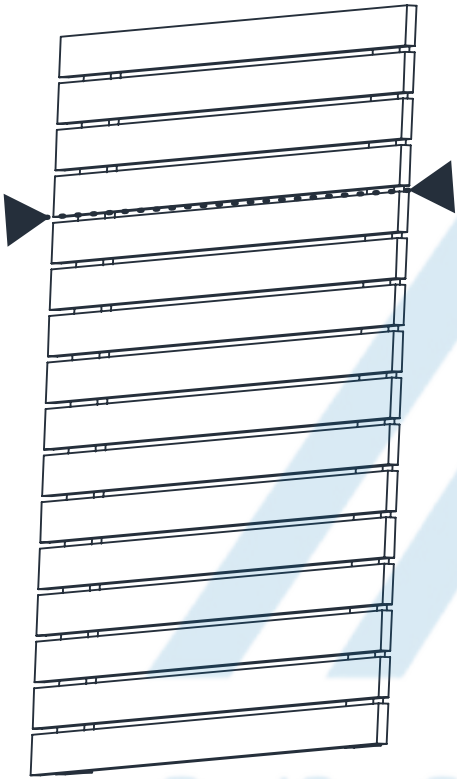
# pipe hole



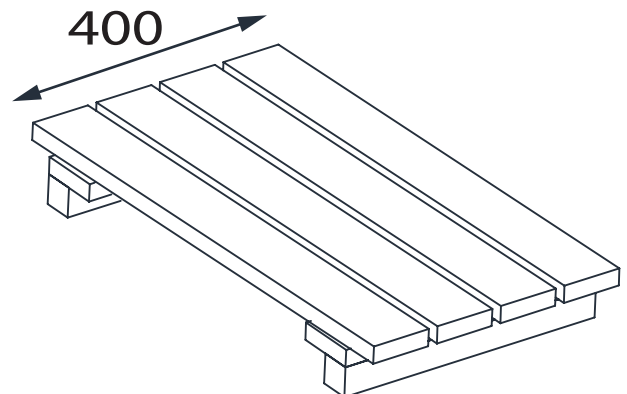
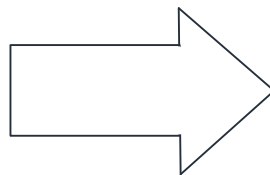
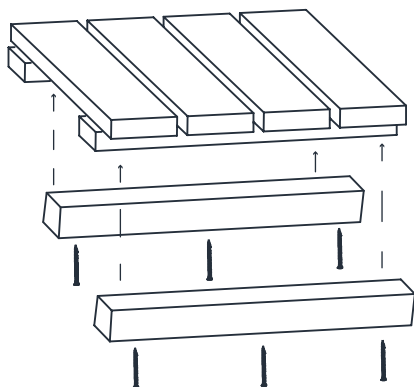
# ONLY FOR G1!



P1650

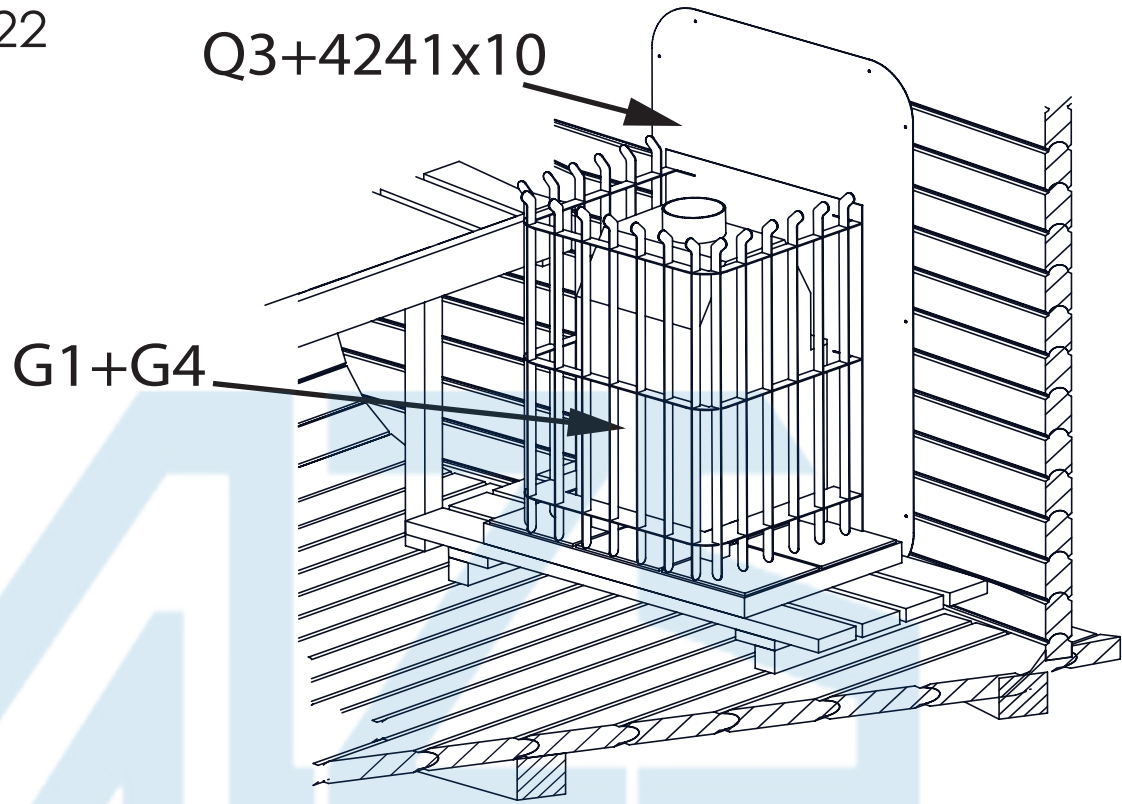


R400 - 2  
4460 - 6



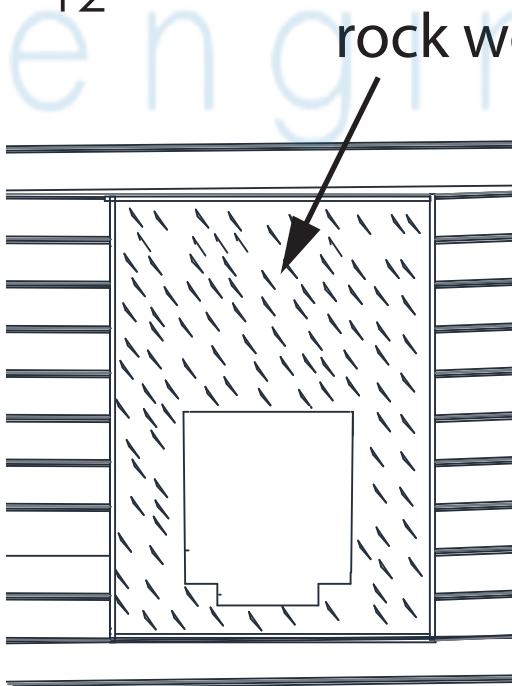
# inside view

G1 - 1 | Q3 - 1  
G2 - 1 | 4241 - 22  
G4 - 1 |

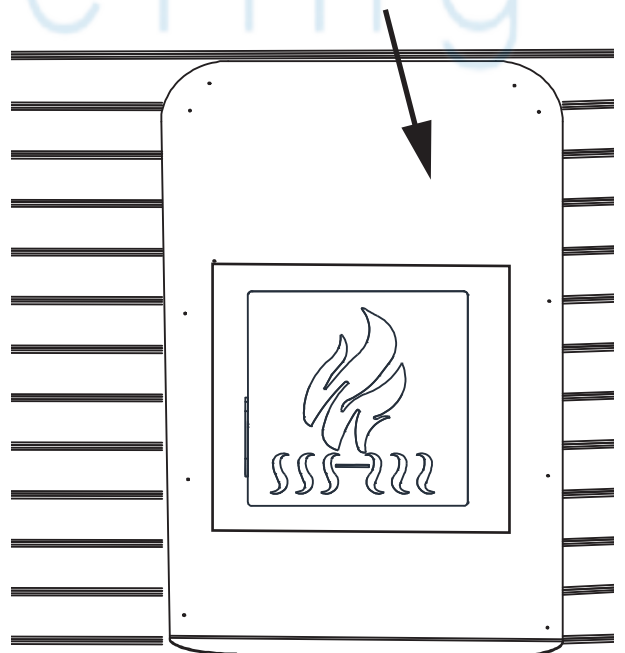


# outside view

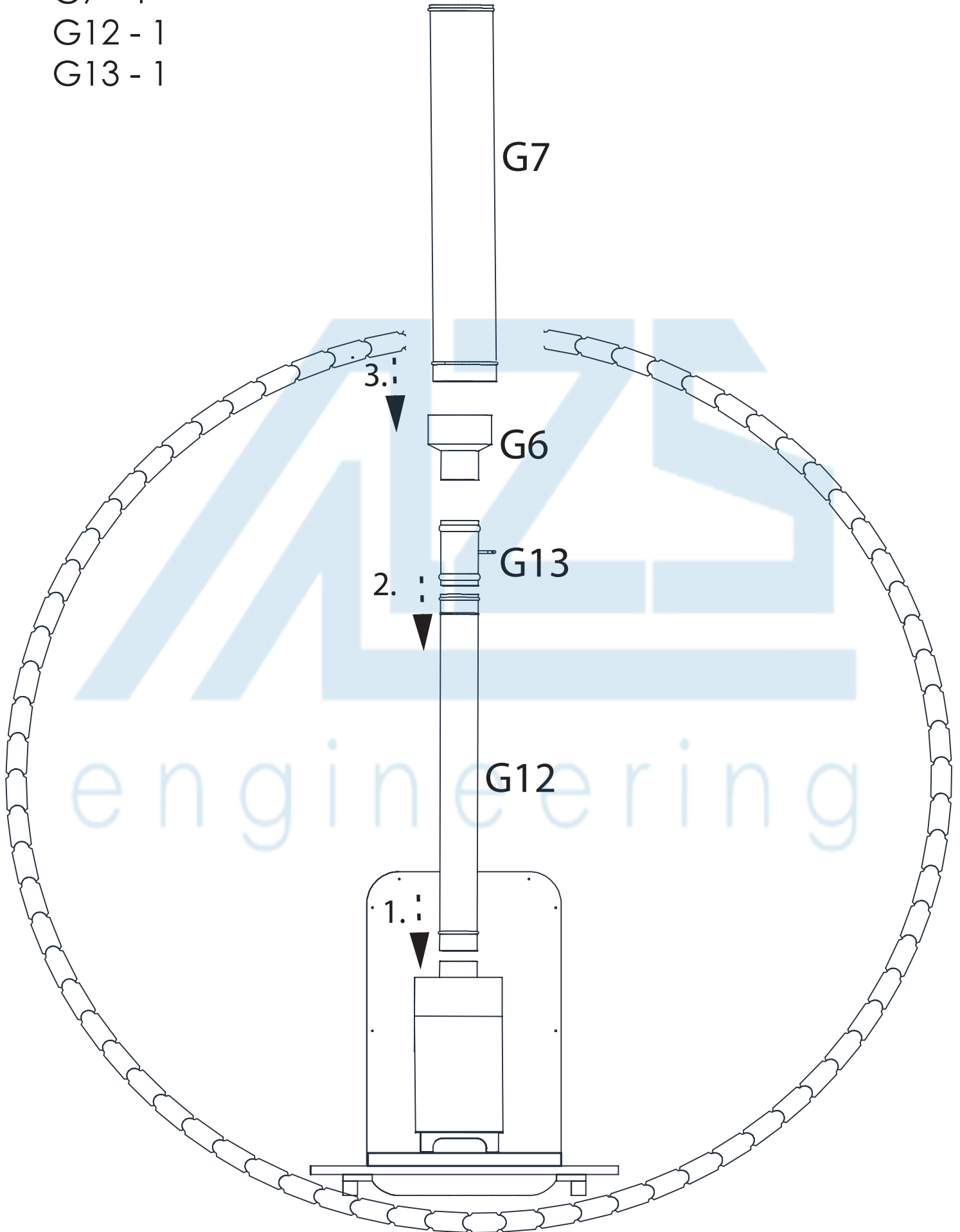
Q4 - 1  
4241 - 12



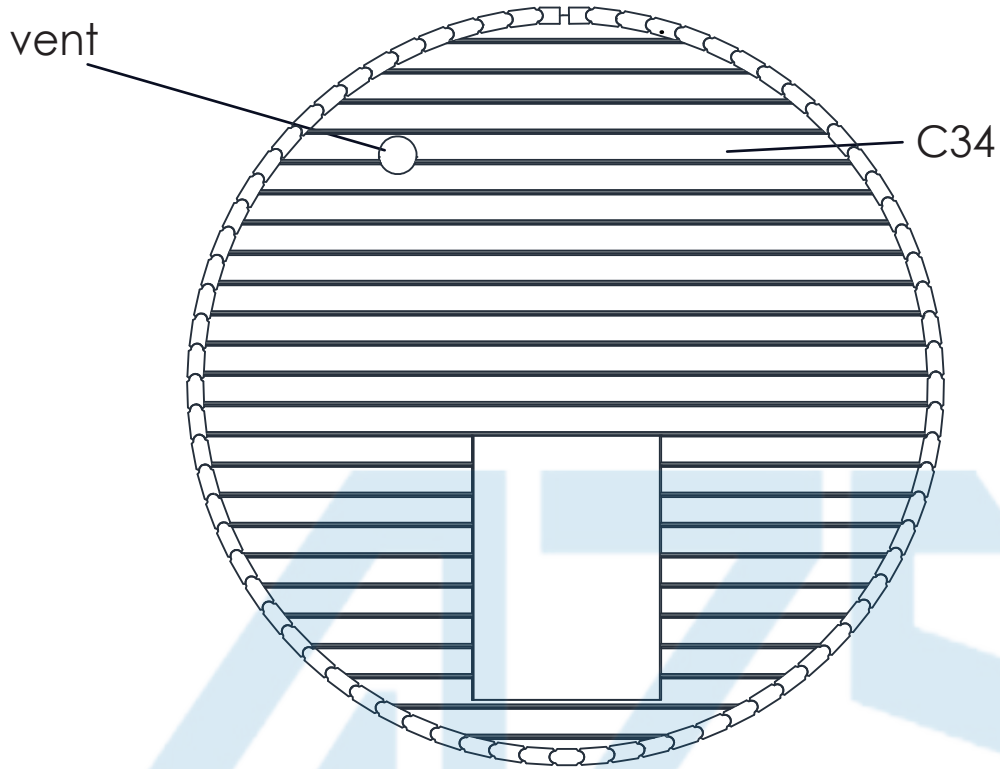
Q4+4241x12



G6 - 1  
G7 - 1  
G12 - 1  
G13 - 1

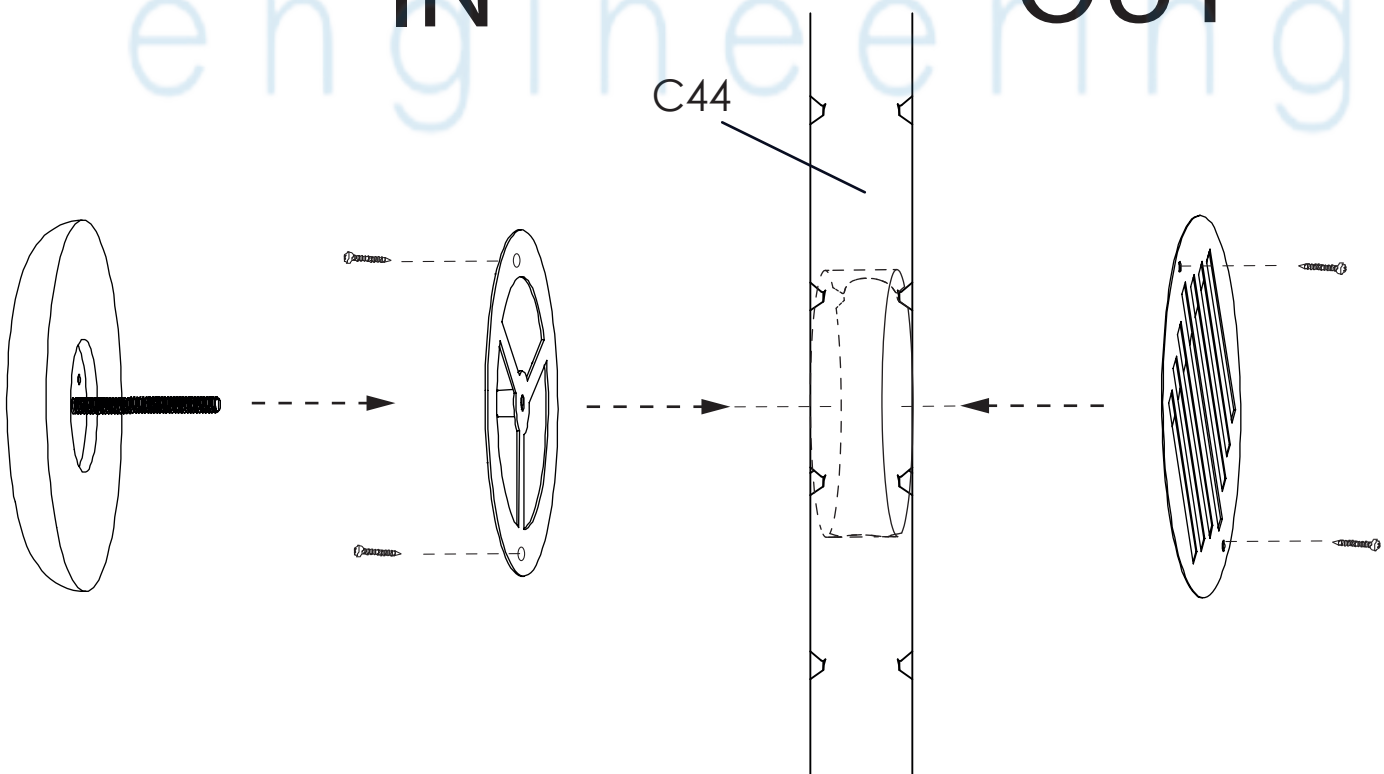


# SET3

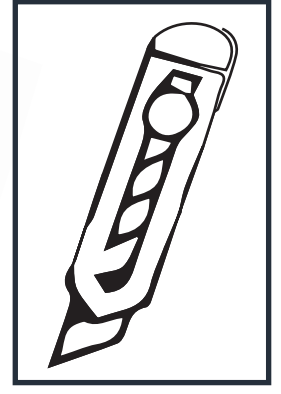
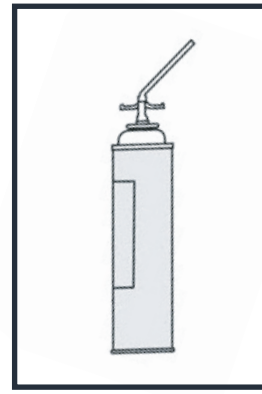


**IN**

**OUT**



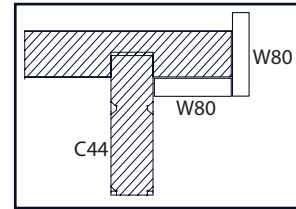
W1750 - 1  
W480 - 1  
W80 - 3  
4345 - 18



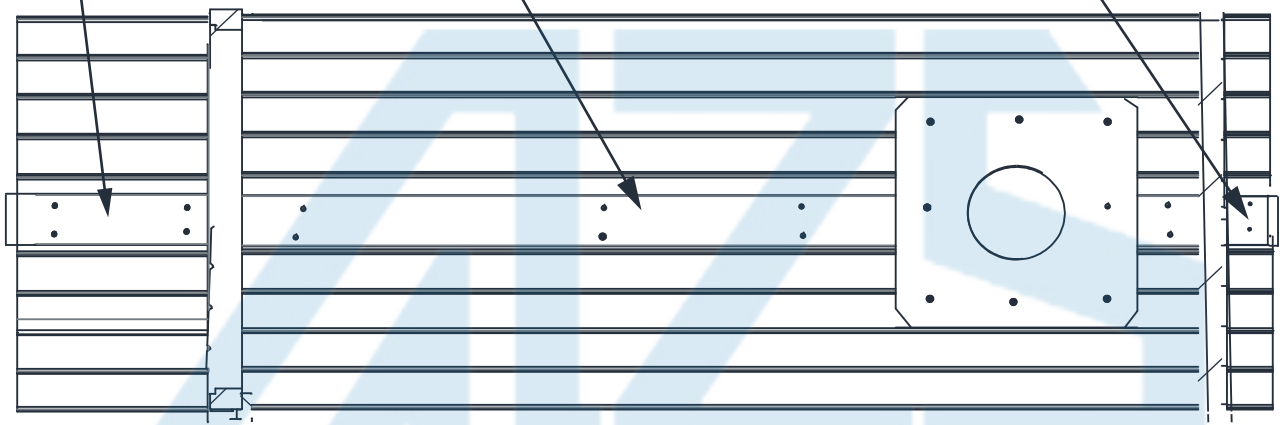
## ROOF (inside view)

W480+4345x4

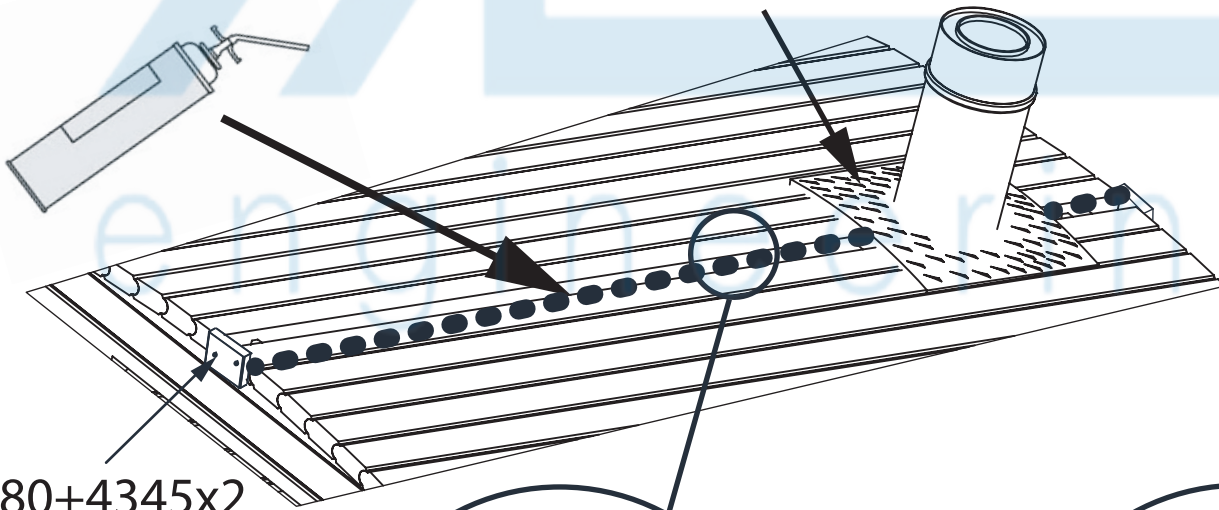
W1750+4345x8



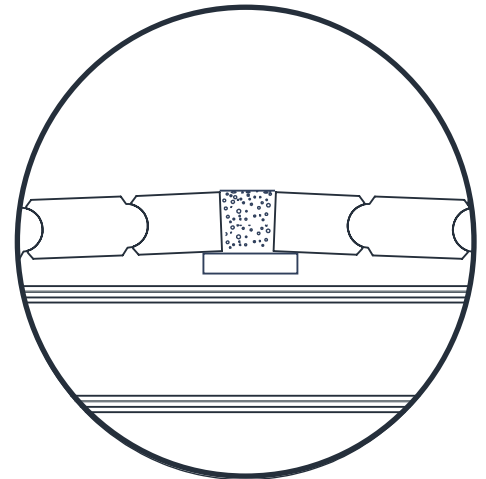
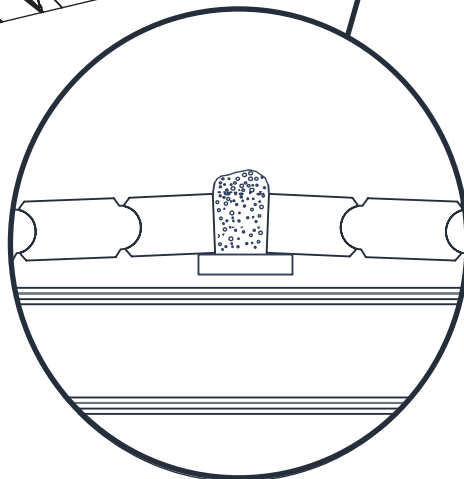
W80x2+  
+4345x4



rock wool

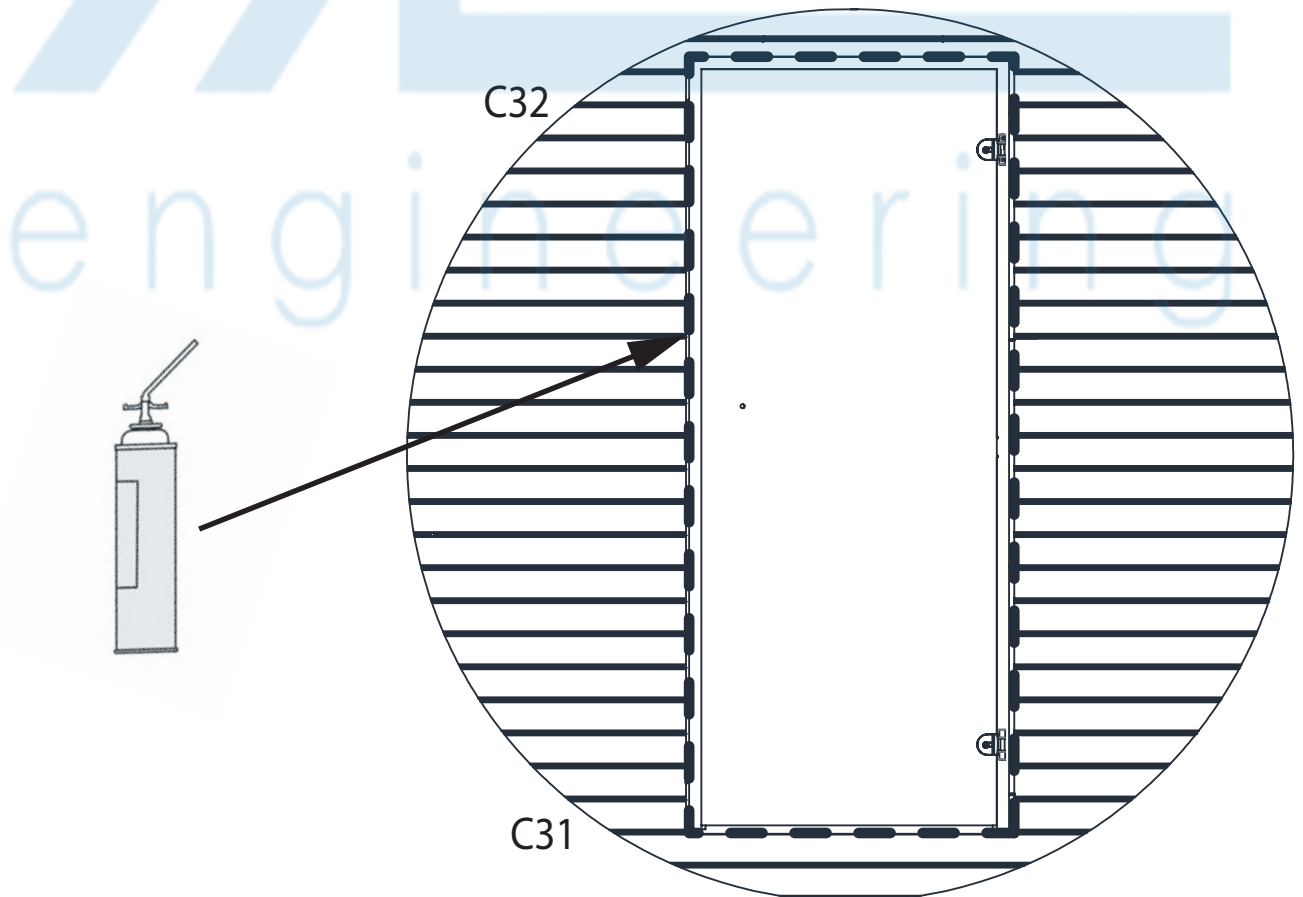
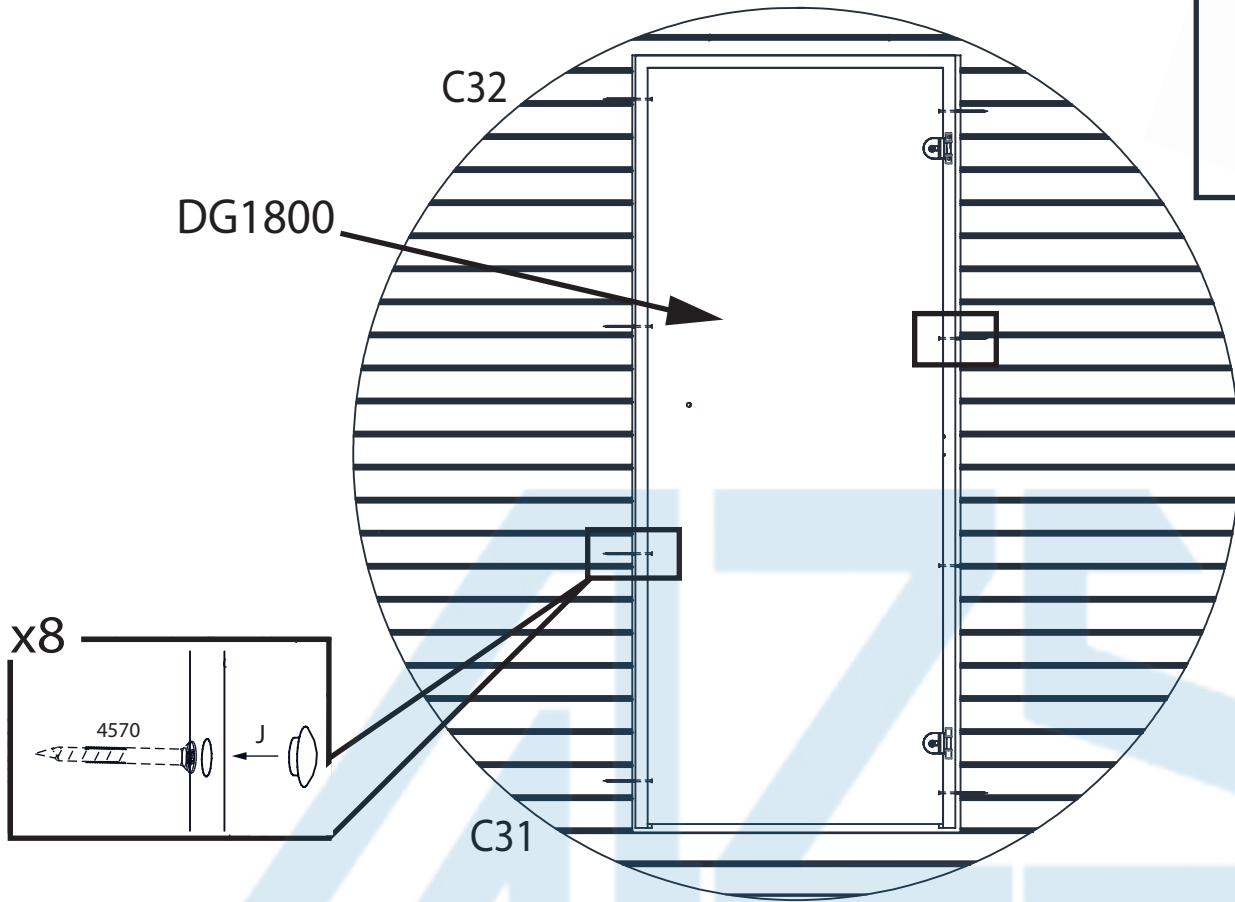
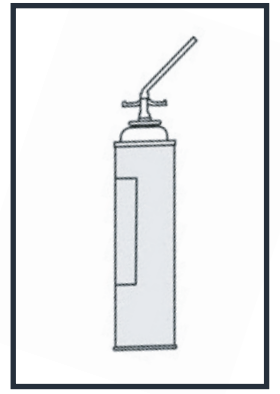


W80+4345x2



DG1800 - 1  
4570 - 8  
J- 8

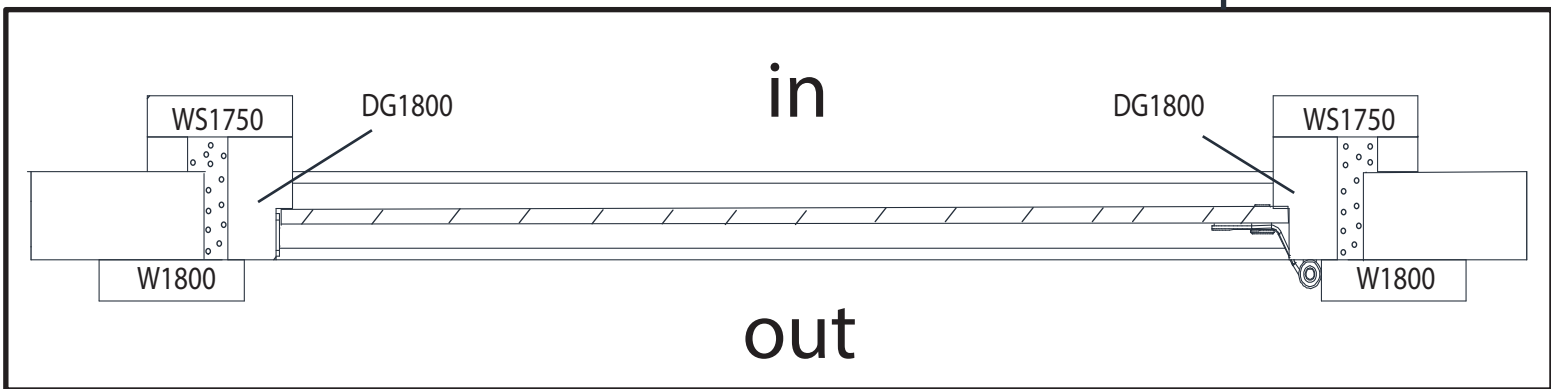
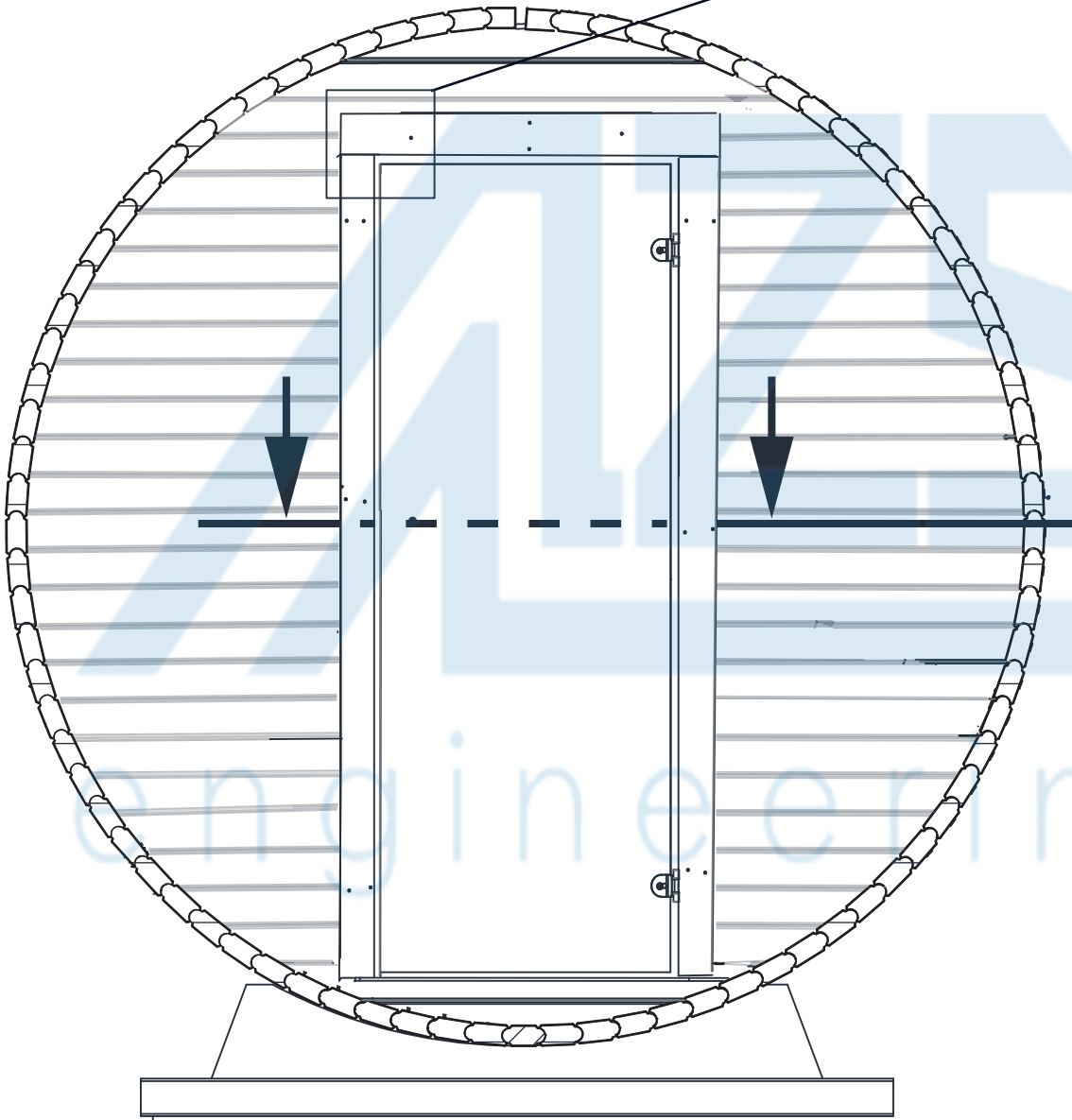
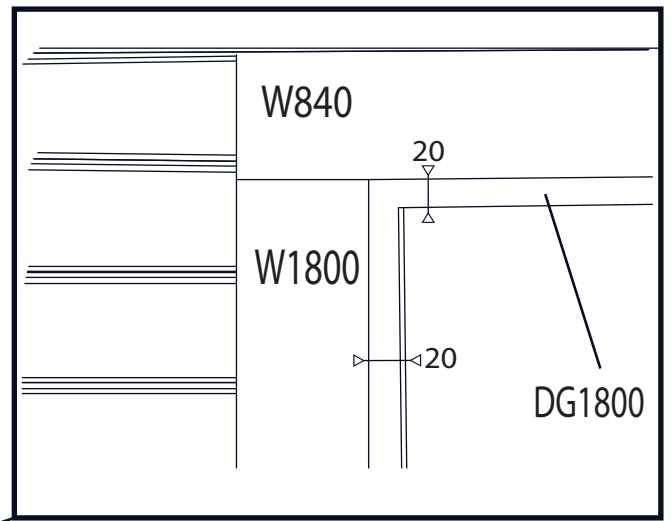
# DOOR INSTALATION outside view



W1800 - 2

W840 - 1

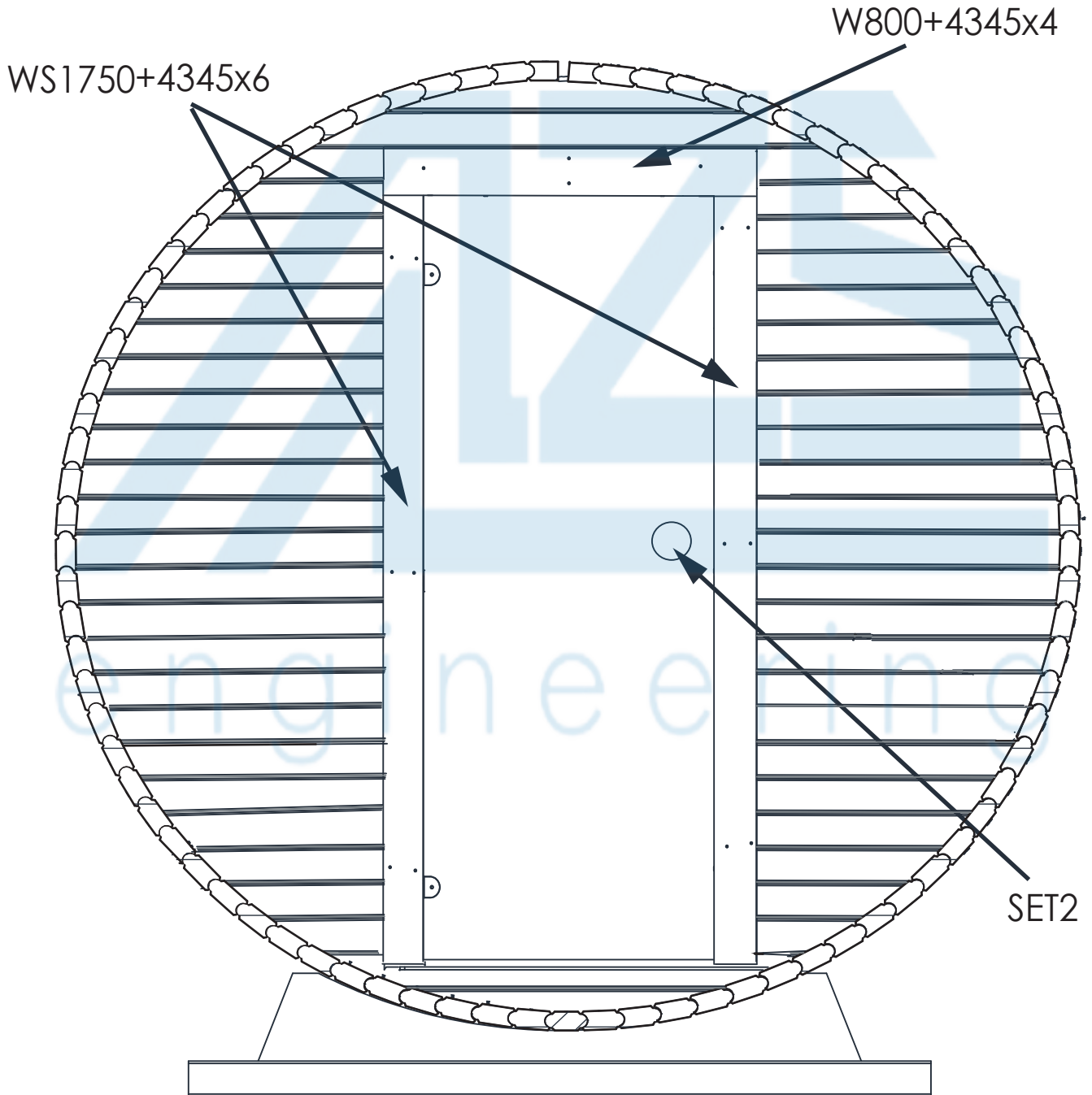
4345- 16



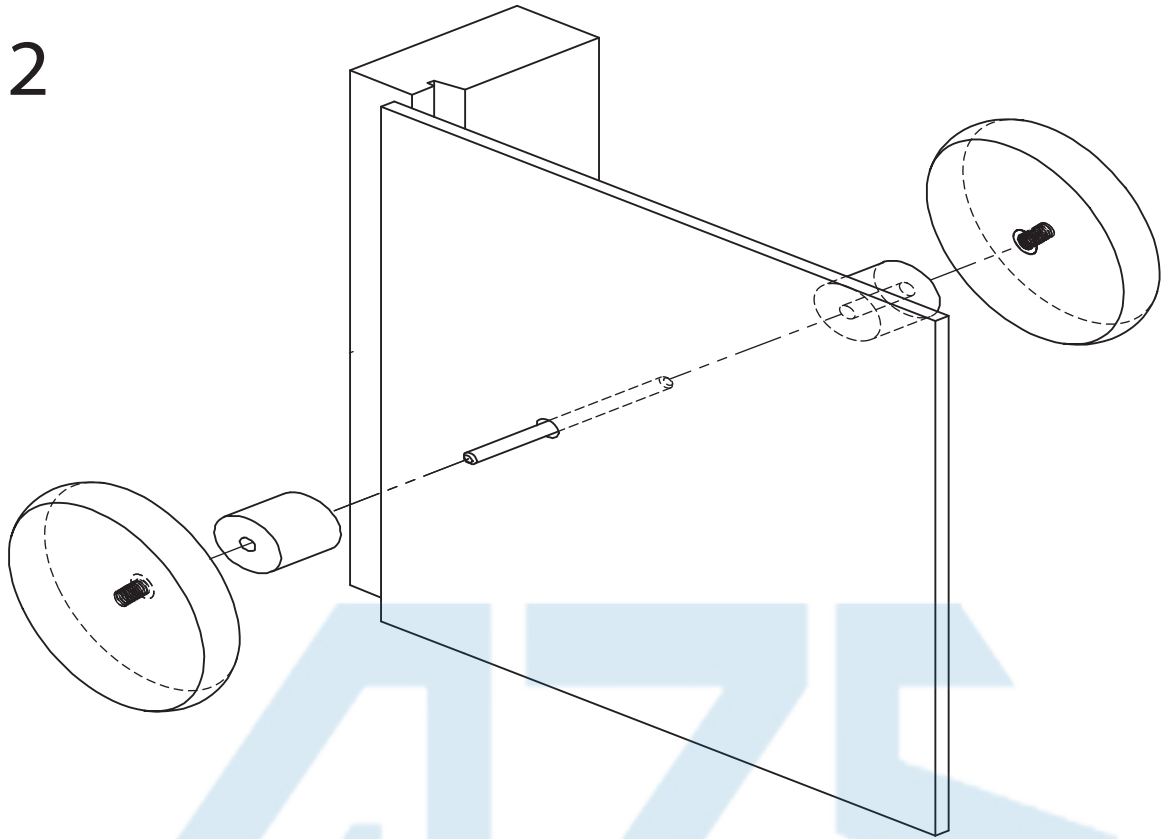


W800 - 1  
WS1750 - 2  
SET2 - 1  
4345- 16

# DOOR INSTALATION inside view



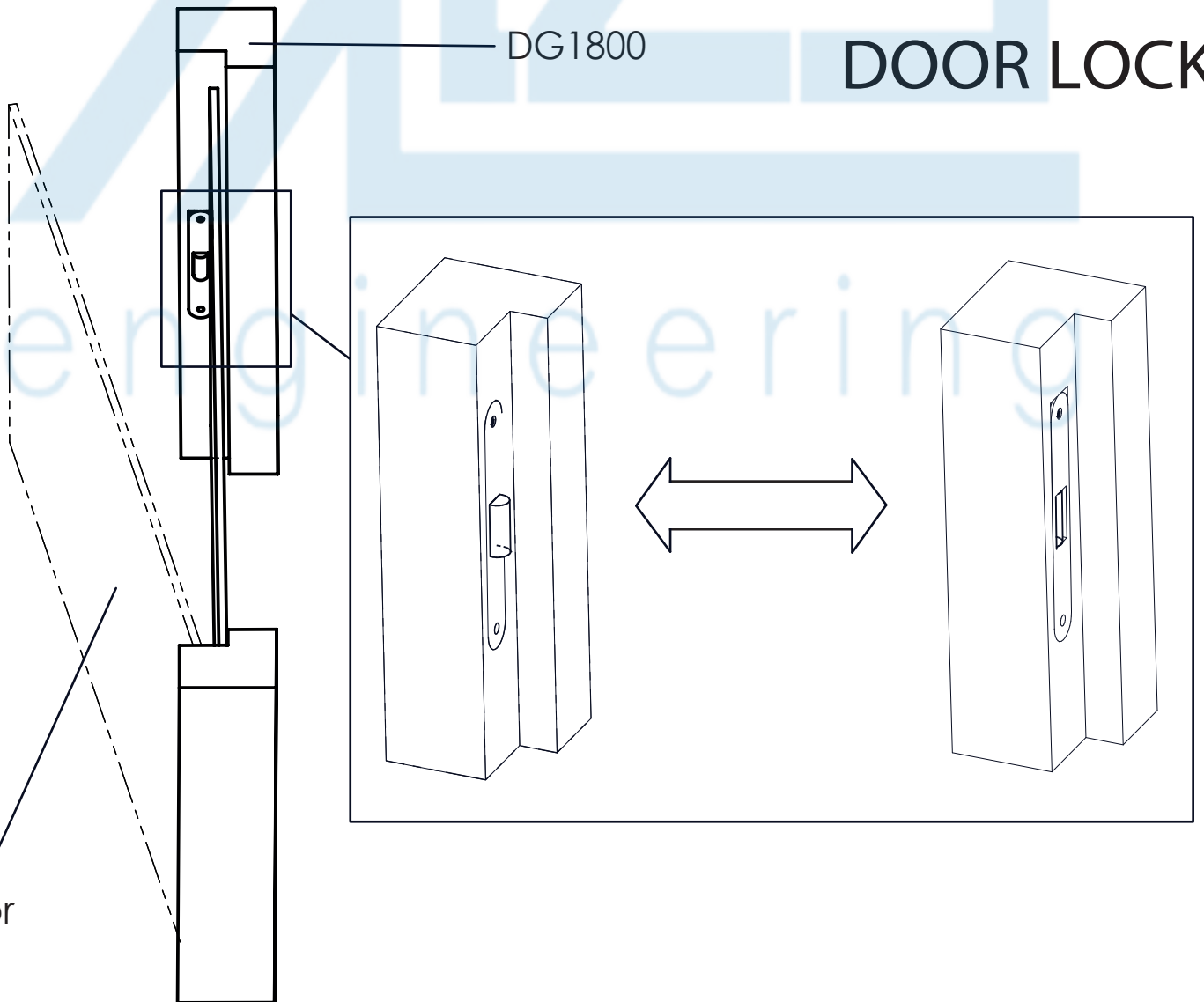
# SET 2



DG1800

## DOOR LOCK

door



WS2350 - 2

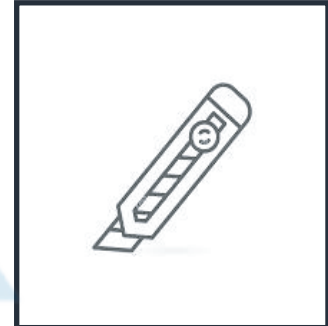
4345 - 8

9325 - 527

E - 71

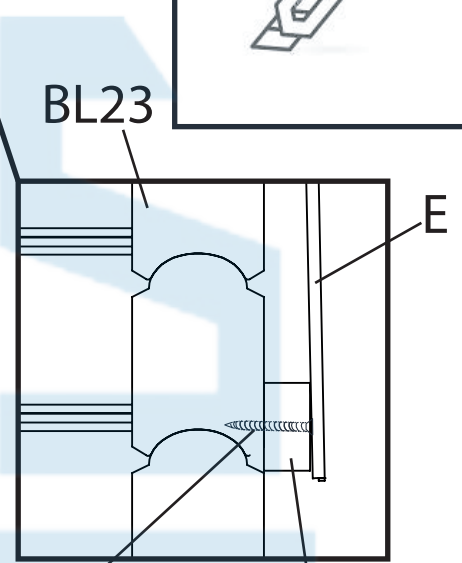
WS2350+4x4345

1.6M



BL23

E

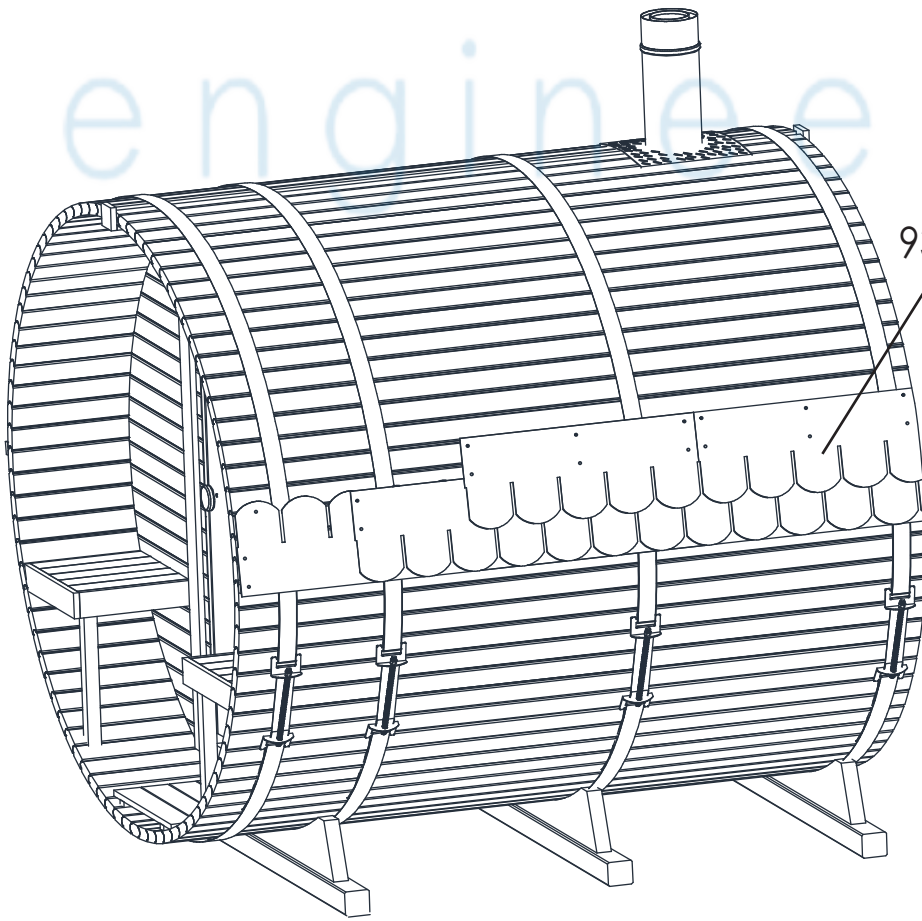


4345

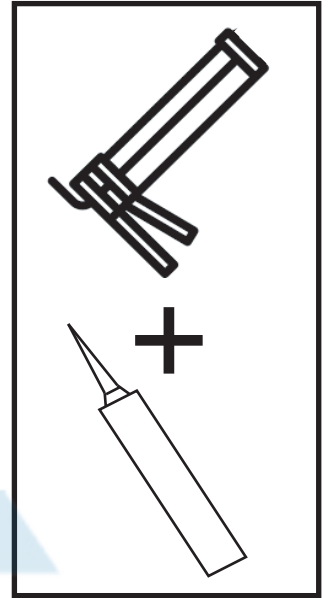
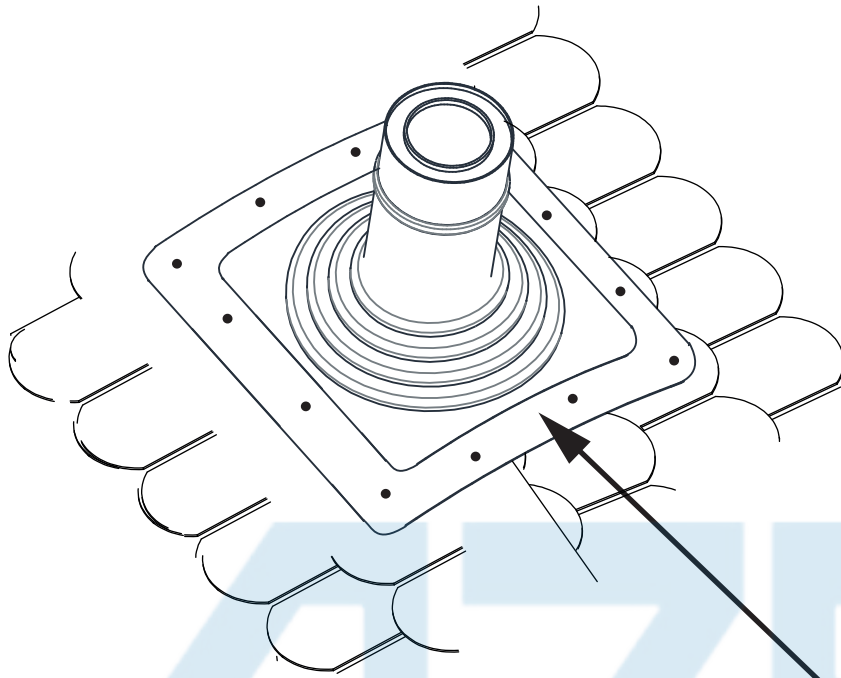
WS2350

engineering

9325x6



G8 - 1  
G9 - 1  
9325 -12



G8 + 12x9325

