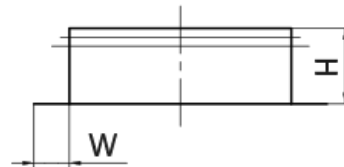
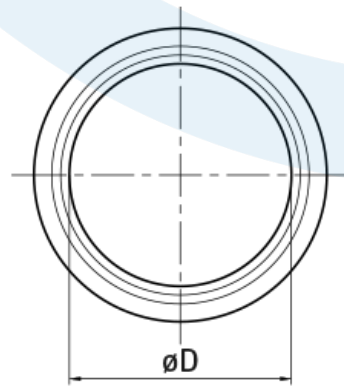
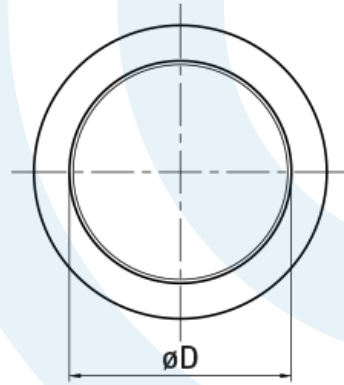
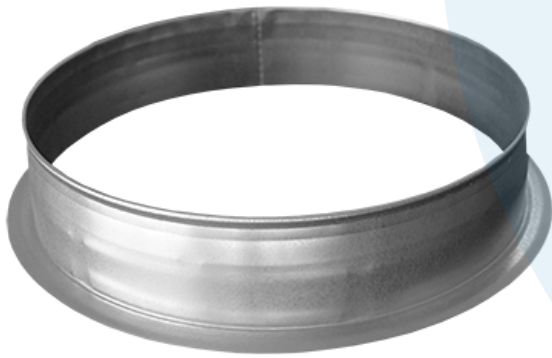


**DIRECT  
VENT**



**Sztucer cylindryczny prosty IL(E)/ILL**  
- karta katalogowa



## Opis produktu:

### Materiał:

- stal ocynkowana;
- uszczelka gumowa EPDM (ILL).

### Charakterystyka produktu:

- łączenie (zgrzew liniowy);
- wykonanie z krawędzią "safe edge" (IL) lub ostrą (ILE);
- uszczelka mocowana poprzez zaciśnięcie na niej wywiniętych krawędzi kształtki (ILL).

## Wymiary i pakowanie

| øD<br>[mm] | W<br>[mm] | ILE    |                        |     | IL / ILL |                        |     |
|------------|-----------|--------|------------------------|-----|----------|------------------------|-----|
|            |           | H [mm] | Pakowanie [szt./opak.] |     | H [mm]   | Pakowanie [szt./opak.] |     |
| 80         | 10        | 50     | 100                    | P12 | 43       | 100                    | P12 |
| 100        | 10        | ×      | ×                      | ×   | 43       | 150                    | P6  |
| 125        | 10        | ×      | ×                      | ×   | 43       | 100                    | P6  |
| 140        | 15        | 45     | 70                     | P6  | 38       | 70                     | P6  |
| 150        | 15        | ×      | ×                      | ×   | 38       | 70                     | P6  |
| 160        | 15        | ×      | ×                      | ×   | 38       | 100                    | P6  |
| 180        | 15        | 45     | 50                     | P6  | 38       | 50                     | P6  |
| 200        | 15        | ×      | ×                      | ×   | 38       | 75                     | P4  |
| 224        | 15        | 45     | 60                     | P4  | 38       | 60                     | P4  |
| 250        | 15        | ×      | ×                      | ×   | 52       | 40                     | P4  |
| 280        | 15        | 54     | 40                     | P4  | 52       | 20                     | P6  |
| 300        | 15        | 54     | 30                     | P4  | 52       | 20                     | P6  |
| 315        | 15        | ×      | ×                      | ×   | 52       | 30                     | P4  |
| 350        | 15        | 54     | 28                     | P4  | ×        | ×                      | ×   |
| 355        | 15        | 54     | 28                     | P4  | 52       | 28                     | P4  |
| 400        | 15        | 54     | 35                     | P2  | 66       | 30                     | P2  |
| 450        | 15        | 54     | 30                     | P2  | 68       | 30                     | P2  |
| 500        | 15        | 60     | 60                     | P1  | 68       | 25                     | P2  |
| 560        | 15        | 60     | 50                     | P1  | 68       | 20                     | P2  |
| 600        | 15        | 60     |                        |     | ×        | ×                      | ×   |
| 630        | 15        | 65     | 40                     | P1  | 68       | 34                     | P1  |
| 710        | 15        | 65     | 30                     | P1  | 88       | 20                     | P1  |
| 800        | 15        | 85     |                        |     | 88       | 14                     | P1  |
| 900        | 15        | 85     |                        |     | 88       |                        |     |
| 1000       | 15        | 85     |                        |     | 103      |                        |     |
| 1120       | 15        | 85     |                        |     | ×        | ×                      | ×   |
| 1250       | 15        | 85     |                        |     | 103      |                        |     |

Tolerancja wymiarów liniowych:  $\pm 2$  mm.