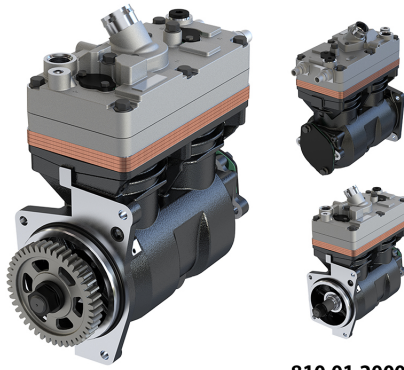


Application: 650 cc

810.01.1000
**810.01.2000
(WITHOUT GEAR)**

OEM	OE
LK4973	470 130 08 15
K066332N00	470 130 13 15
K066332N01	470 130 17 15
K057764N00	470 130 18 15
K057764N01	470 130 45 15
K168097N00	001 130 75 15
K168097N01	002 130 70 15
K260837N01	002 130 63 15
K214163N01	001 130 81 15
	470 130 08 15
	470 130 13 15
	470 130 17 15
	470 130 18 15
	470 130 45 15
	001 130 75 15
	002 130 70 15
	002 130 63 15
	001 130 81 15

Cylinder Bore	Ø86
Stroke	56
Swept Volume	650
Air Inlet Port Size	Ø34.5
Air Delivery Port Size	M26x1.5
Number of Cylinders	2
Through Drive	Yes
Unloader Port Size	M10x1
Water Or Air Cooled	W
Water Inlet Port Size	M18x1.5
Water Delivery Port Size	M18x1.5
Water Cooled Valve Plate	Yes

Components

486.01.1100	Crankcase	OEM	OE

486.01.1200	Cylinder Head	OEM	OE

486.01.1220	Cylinder Upper Head	OEM	OE

440.01.1230	Cylinder Lower Head	OEM	OE

486.01.1250	Cylinder Head Kit	OEM	OE
		K091889K50 K091890K50	0021304715 0021304815

486.01.1210	Cylinder Head With Plate Kit	OEM	OE
		K091889K50 K091890K50	

440.01.1300	Plate Kit	OEM	OE

440.01.1310	Plate Kit, Complete	OEM	OE

440.01.1320	Plate Kit	OEM	OE
		K091891K50	

440.01.1400	Connecting Rod	OEM	OE

408.01.1700	Piston With Rings (STD)	OEM	OE
		SEB22547	42549147 42562096 42534241 42536601
408.01.1700-Ø86.00 mm 408.01.1710-Ø86.25 mm 408.01.1720-Ø86.50 mm 408.01.1730-Ø86.75 mm 408.01.1740-Ø87.00 mm			

408.01.1800	Piston Ring Kit (STD)	OEM	OE
408.01.1800-Ø86.00 mm 408.01.1810-Ø86.25 mm 408.01.1820-Ø86.50 mm 408.01.1830-Ø86.75 mm 408.01.1840-Ø87.00 mm			

440.01.2300 Repair Kit With Bushing

OEM	OE

440.01.2350 Repair Kit w/o Bushing

OEM	OE

440.01.2330 Repair Kit

OEM	OE

440.01.2320 Repair Kit

OEM	OE
K091883K50	0021304615

440.01.1280 Head Repair Kit

OEM	OE

440.01.2100 Gasket & Sealing Kit

OEM	OE

440.01.2200 Valve Kit

OEM	OE

175.01.2500 Unloader Valve Kit

OEM	OE
K034874K50 K159064K50 K049446	1919356 0021304915

172.01.1900 Cap

OEM	OE

543.01.2900 Gear

OEM	OE
	4701320105

102.01.2600 Bushing

OEM	OE
EB00819	1315274 1697278 1697286 5001830853 1697286

110.01.2700 Screw Kit

OEM	OE

487.01.1500 Crankshaft

OEM	OE

487.01.1600 Bearing Cover

OEM	OE

OEM	OE