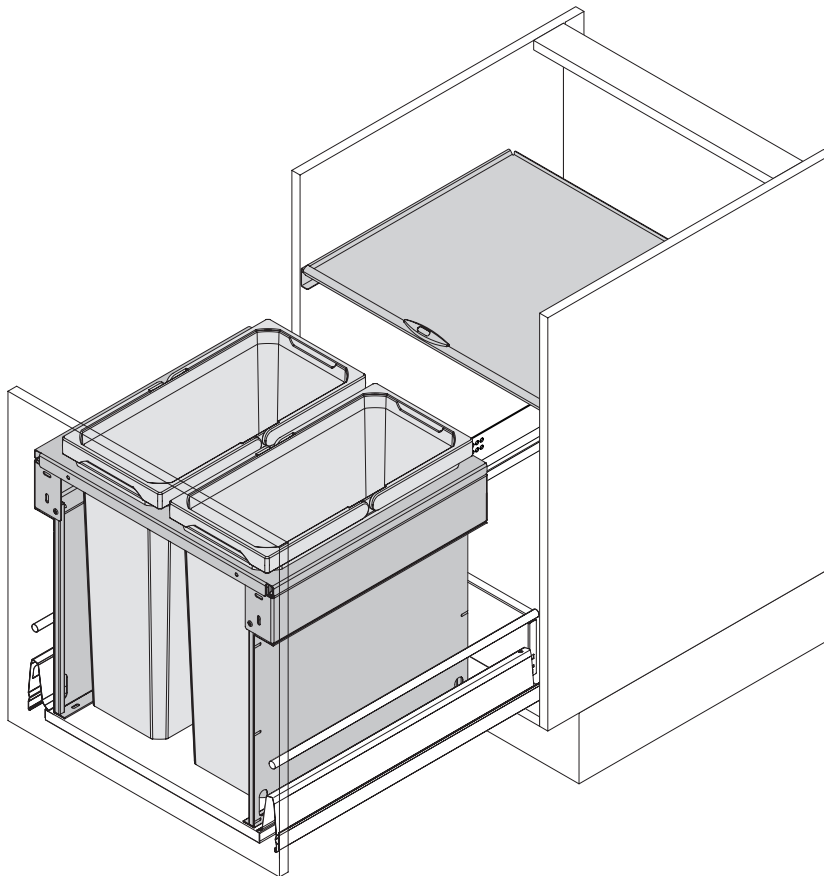
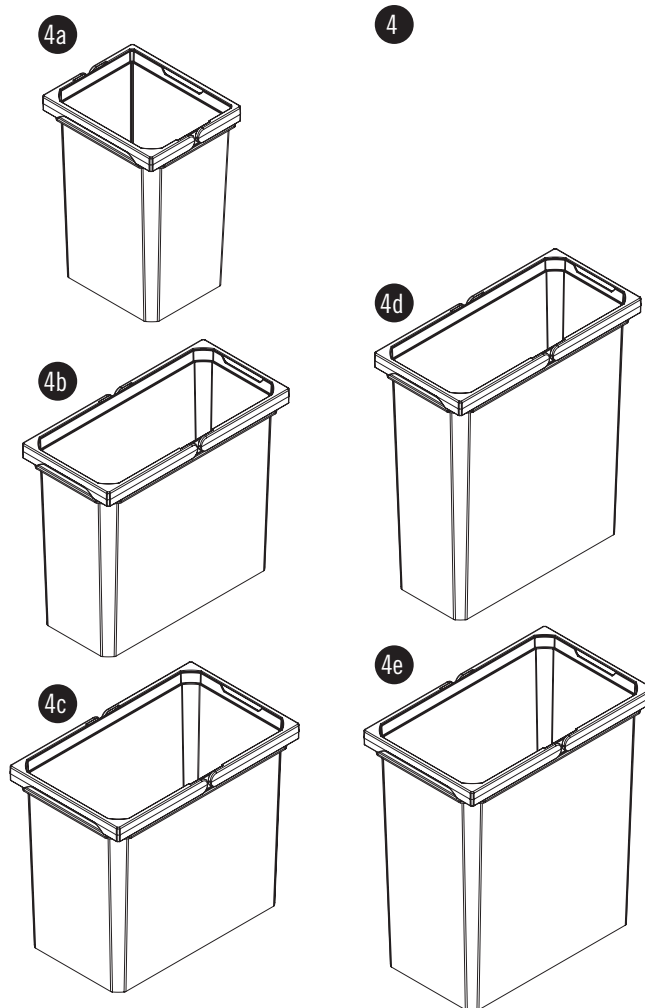
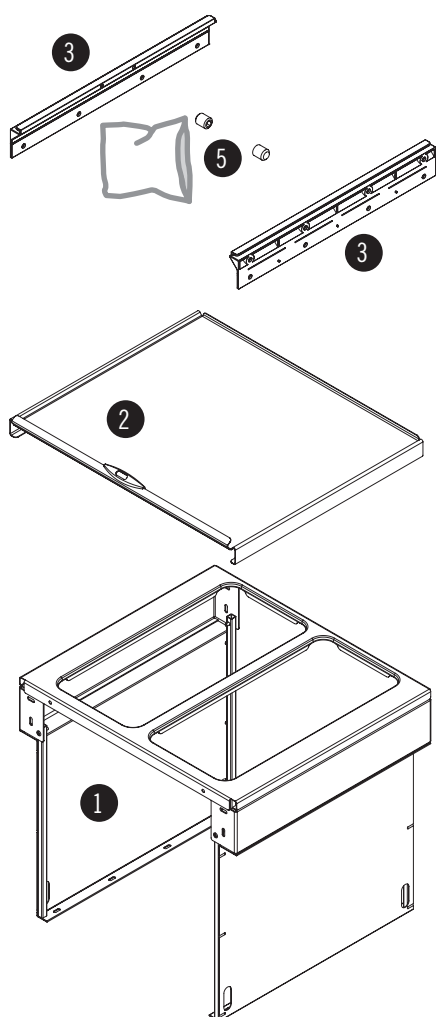


VS ENVI[®] Flex/Pro

ERSATZTEILLISTE / SPARE PARTS LIST





VS ENVI Flex

KOMPONENTE PART #	S-CODE	KORPUSBREITE CABINET WIDTH	ANZAHL AMOUNT	DEUTSCH GERMAN	ENGLISCH ENGLISH
①				Falls der Rahmen defekt ist, bitte den kompletten Artikel ersetzen.	<i>If the frame is damaged, please replace the complete item.</i>
②	S10000401	400	1	Abdeckblech K400 silber	<i>metal cover C400 silver</i>
②	S10000402	450	1	Abdeckblech K450 silber	<i>metal cover C450 silver</i>
②	S10000403	500	1	Abdeckblech K500 silber	<i>metal cover C500 silver</i>
②	S10000404	600	1	Abdeckblech K600 silber	<i>metal cover C600 silver</i>
②	S10000794	800	1	Abdeckblech K800 silber	<i>metal cover C800 silver</i>
②	S10000795	900	1	Abdeckblech K900 silber	<i>metal cover C900 silver</i>
③	S10000393		1	Kunststoff Seitenteil RAL 7042	<i>plastic side part RAL 7042</i>
④a	91001290	450/ 600/ 900	1	Abfalleimer 10L RAL 7047	<i>waste bin 10ltr RAL 7047</i>
④b	91001291	500/ 800	1	Abfalleimer 16L RAL 7047	<i>waste bin 16ltr RAL 7047</i>
④c	91001292	400/ 600/ 800/ 900	1	Abfalleimer 22L RAL 7047	<i>waste bin 22ltr RAL 7047</i>
⑤	S10000474		1	Schraubenbeutel	<i>hardware bag</i>

VS ENVI Flex Pro

①				Falls der Rahmen defekt ist, bitte den kompletten Artikel ersetzen.	<i>If the frame is damaged, please replace the complete item.</i>
②	S10000401	400	1	Abdeckblech K400 silber	<i>metal cover C400 silver</i>
②	S10000402	450	1	Abdeckblech K450 silber	<i>metal cover C450 silver</i>
②	S10000403	500	1	Abdeckblech K500 silber	<i>metal cover C500 silver</i>
②	S10000404	600	1	Abdeckblech K600 silber	<i>metal cover C600 silver</i>
②	S10000794	800	1	Abdeckblech K800 silber	<i>metal cover C800 silver</i>
②	S10000795	900	1	Abdeckblech K900 silber	<i>metal cover C900 silver</i>
③	S10000393		1	Kunststoff Seitenteil RAL 7042	<i>plastic side part RAL 7042</i>
④d	91001344	500/ 800	1	Abfalleimer 21L RAL 7047	<i>waste bin 21ltr RAL 7047</i>
④e	91001345	400/ 450/ 600/ 800/ 900	1	Abfalleimer 28L RAL 7047	<i>waste bin 28ltr RAL 7047</i>
⑤	S10000474		1	Schraubenbeutel	<i>hardware bag</i>

VS ENVI Flex

KOMPONENTE PART #	S-CODE	KORPUSBREITE CABINET WIDTH	ANZAHL AMOUNT	DEUTSCH GERMAN	ENGLISCH ENGLISH
①					
②	S10000796	400	1	Abdeckblech K400 lava	<i>metal cover C400 lava grey</i>
②	S10000797	450	1	Abdeckblech K450 lava	<i>metal cover C450 lava grey</i>
②	S10000798	500	1	Abdeckblech K500 lava	<i>metal cover C500 lava grey</i>
②	S10000799	600	1	Abdeckblech K600 lava	<i>metal cover C600 lava grey</i>
②	S10000800	800	1	Abdeckblech K800 lava	<i>metal cover C800 lava grey</i>
②	S10000801	900	1	Abdeckblech K900 lava	<i>metal cover C900 lava grey</i>
③	S10000802		1	Kunststoff Seitenteil lava	<i>plastic side part lava grey</i>
④a	91001525	450/ 600/ 900	1	Abfalleimer 10L lava	<i>waste bin 10ltr lava grey</i>
④b	91001526	500/ 800	1	Abfalleimer 16L lava	<i>waste bin 16ltr lava grey</i>
④c	91001527	400/ 600/ 800/ 900	1	Abfalleimer 22L lava	<i>waste bin 22ltr lava grey</i>
⑤	S10000474		1	Schraubenbeutel	<i>hardware bag</i>

VS ENVI Flex Pro

①					
②	S10000796	400	1	Abdeckblech K400 lava	<i>metal cover C400 lava grey</i>
②	S10000797	450	1	Abdeckblech K450 lava	<i>metal cover C450 lava grey</i>
②	S10000798	500	1	Abdeckblech K500 lava	<i>metal cover C500 lava grey</i>
②	S10000799	600	1	Abdeckblech K600 lava	<i>metal cover C600 lava grey</i>
②	S10000800	800	1	Abdeckblech K800 lava	<i>metal cover C800 lava grey</i>
②	S10000801	900	1	Abdeckblech K900 lava	<i>metal cover C900 lava grey</i>
③	S10000802		1	Kunststoff Seitenteil lava	<i>plastic side part lava grey</i>
④d	91001530	500/ 800	1	Abfalleimer 21L lava	<i>waste bin 21ltr lava grey</i>
④e	91001542	400/ 450/ 600/ 800/ 900	1	Abfalleimer 28L lava	<i>waste bin 28ltr lava grey</i>
⑤	S10000474		1	Schraubenbeutel	<i>hardware bag</i>