

YSL50F SERIES

Input: 100-240VAC 50-60Hz
Output Voltage: 5V-24V DC
Rated Power: 75W max



Features

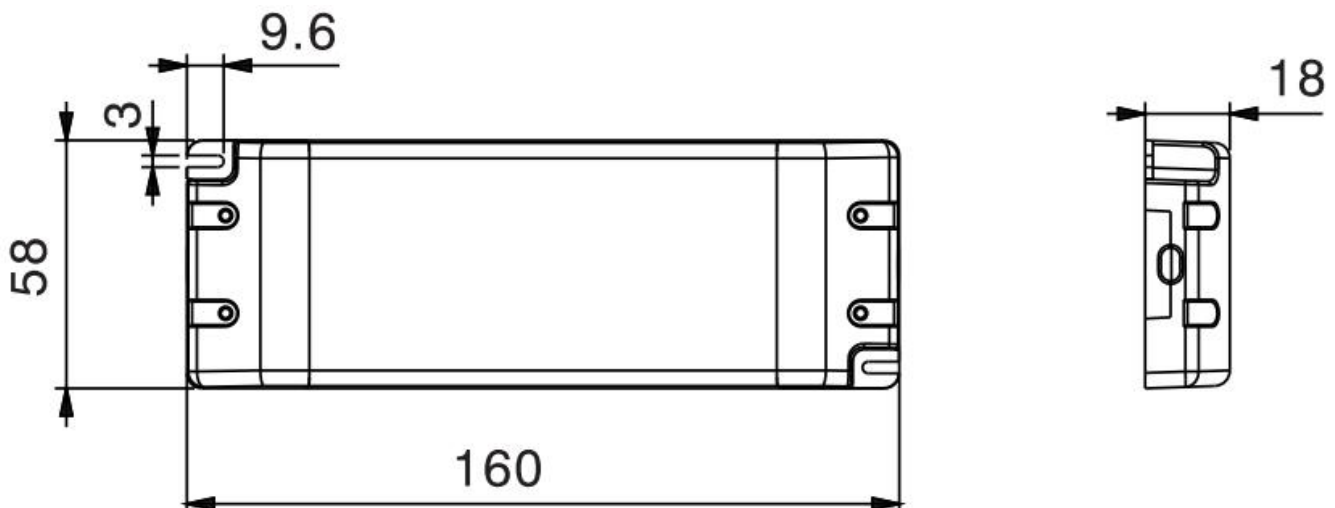
- Universal Input: 100-240V AC 50-60Hz
- RoHS Compliance
- EMI Standard EN55015:2019+A11
- Safety Standard: EN61347-1:2015, EN61347-2-13:2014+A1:2017, UL8750
- Inrush current <65A AC230V/50Hz
- High efficiency & low power consumption
- Short Circuit, Over Current and Over Voltage Protection
- Over temperature protection
- 100% full load burn-in test
- Dimming available

Application

- LED lights bring
- LED indoor lighting
- LED decorative lighting
- LED building lighting



■ Dimensions and Installation



YSL50F SERIES

MODEL DETAIL SPEC.		YSL50F-1206250	YSL50F-2403125
INPUT	Input Voltage:	100-240VAC/ 200-240VAC	
	Input Frequency:	50-60Hz	
	Inrush Current:	65 Amps max. at 230VAC/50Hz,full load	
	AC Current:	0.21A/230VAC	
	Leakage Current:	< 0.25mA/240VAC	
	Efficiency:	88%	88%
OUTPUT	DC Voltage:	12V	24V
	Rated Current:	6250mA	3125mA
	Rated Power:	75W	75W
	Voltage Tolerance:	±5.0%	±5.0%
	Ripple and Noise:	120mVp-p	240mVp-p
	Line Regulation:	±3%	
	Load Regulation:	±5%	
	Setup, Rise, Hold Up time:	1s, 10ms/60ms 230VAC 1000ms, 1ms/25ms 115VAC at full load	
ENVIRONMENTAL	Operating Temperature:	-20 ~ +60 (Refer to "Derating Curve")	
	Storage Temp:	-40°C ~ 85°C	
	Storage Humidity:	20 ~ 95% RH	
	Working Humidity:	20 ~ 95% RH non-condensing	
PROTECTION	Over Load:	Above 105% rated output power Protection type: Hiccup mode, recovers automatically after fault condition is removed	
	Over Voltage:	12V:13.8 ~ 16.2V 24V:27.6 ~ 32.4V Protection type: Shut down o/p voltage, re-power on to recover	
	Over Temperature:	Shut down o/p voltage, re-power on to recover	
SAFETY & EMC	Safety Regulations:	EN61347-2-13:2014+A1:2017,EN61347-1:2015;EN62493:2015	
	Withstand Voltage:	I/P-O/P:3750KVAC	
	Harmonic	EN61000-3-2 Class C EN61000-3-3	
	EMI:	Compliance to EN55015	
	EMS :	compliance to 61547:2009	
OTHER	MTBF:	200,000 Hours Minimum at Full Load at 25°C Ambient	
	Size:	160*58*18mm	
	Weight:	60g / pcs	
	Packaging:	100pcs/CTN37.5-24.5*23.5cm	

YSL50F SERIES

Deduction curve and temperature



Environment temperature(°C)

Minus output and input voltage curves



Input voltage(VAC)

Functional Diagram

