

### Characteristic:

Safety lock buckle, easy installation, cable output.

Product picture printing is for reference only, subject to the actual product

### Technical index:

Mounting type: Free hanging (In-Line)

Material of core: Laminated silicon steel

Applicable standards: GB20840-2014

Operating temperature: -25 °C ~ +60 °C

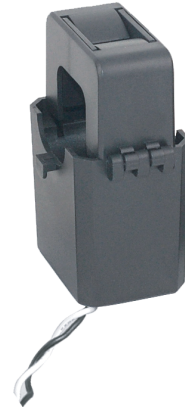
Storage temperature: -30 °C ~ +90 °C

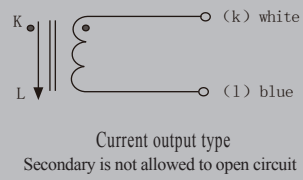
Frequency range: 50Hz-60Hz

Dielectric strength: Input (bare conductor)/Output AC 800V/1min 50Hz

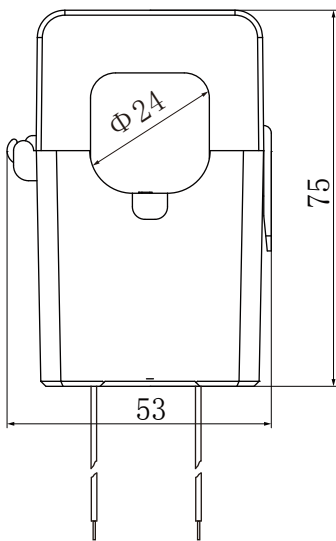
Output/housing AC 3.5KV/1min 50Hz

Electrical parameters: The following parameters are typical values. The actual values shall be subject to the actual measurement of the product

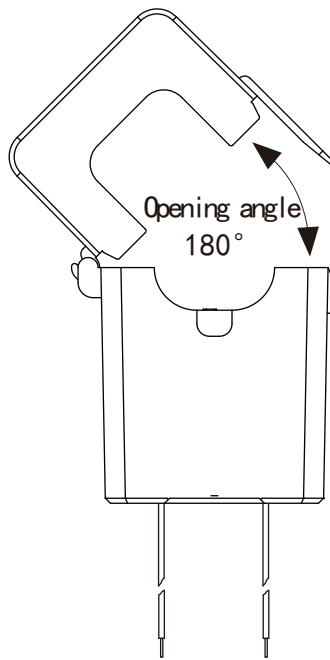


Rated input	100A		150A		200A			250A			300A			Specifications of cable: 1mm <sup>2</sup> black and white twisted pair. The length of cable: 100cm~105cm  
Rated output	5A		5A		5A			5A			5A			
Turns ratio	1: 20		1: 30		1: 40			1: 50			1: 60			
Accuracy	1%	3%	1%	3%	0.5%	1%	3%	0.5%	1%	3%	0.5%	1%	3%	
Power	0.5VA	1VA	1VA	2.5VA	1VA	2.5VA	3.75VA	1VA	2.5VA	3.75VA	1VA	2.5VA	3.75VA	
Weight	226g													

### Dimension (in mm±0.5) :



Front view



Side view

