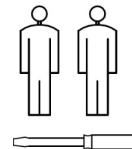
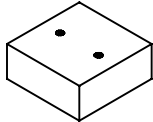
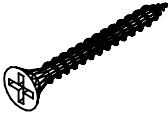
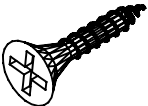



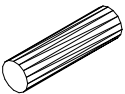
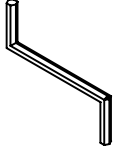
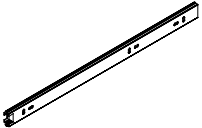
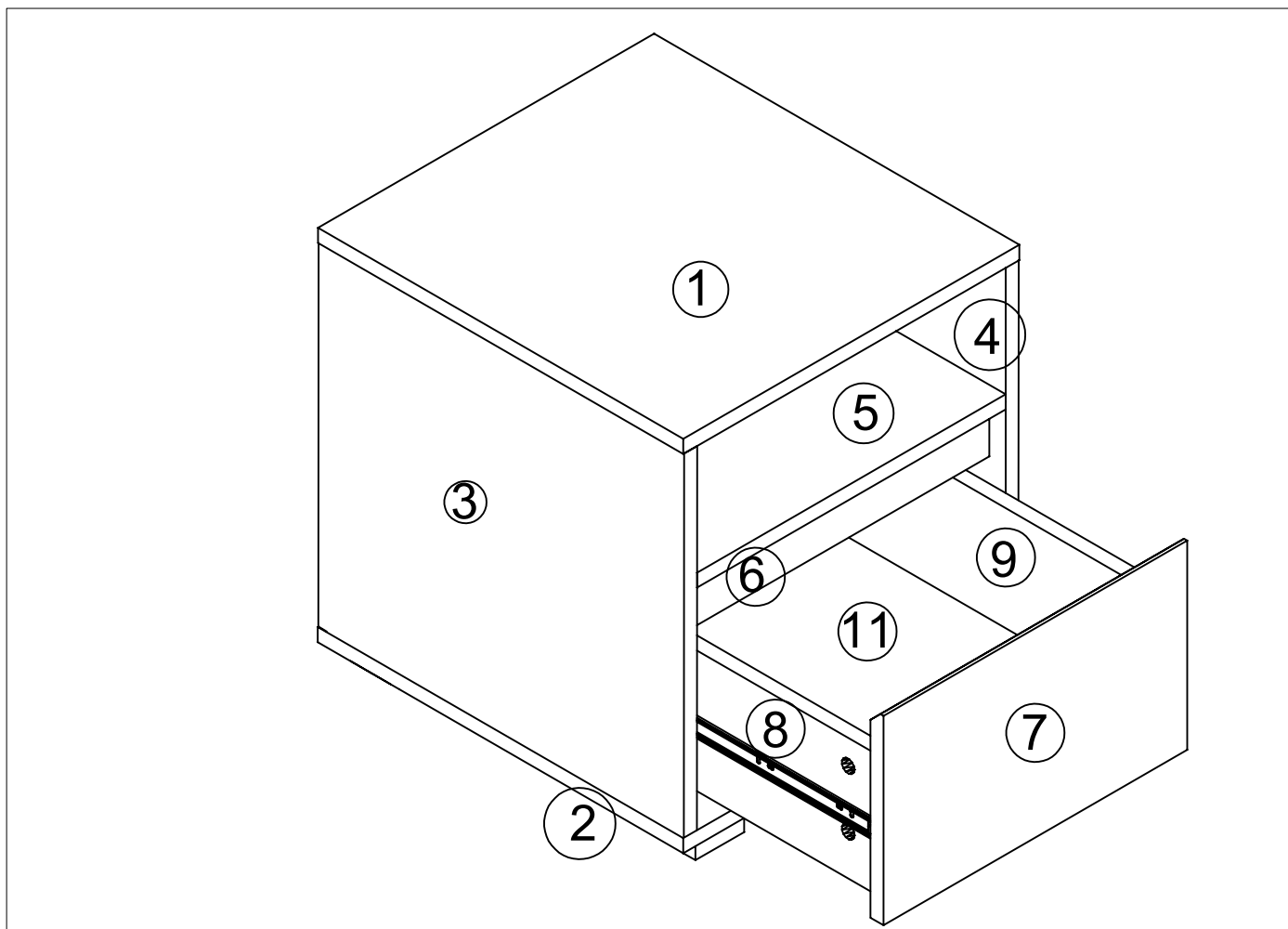


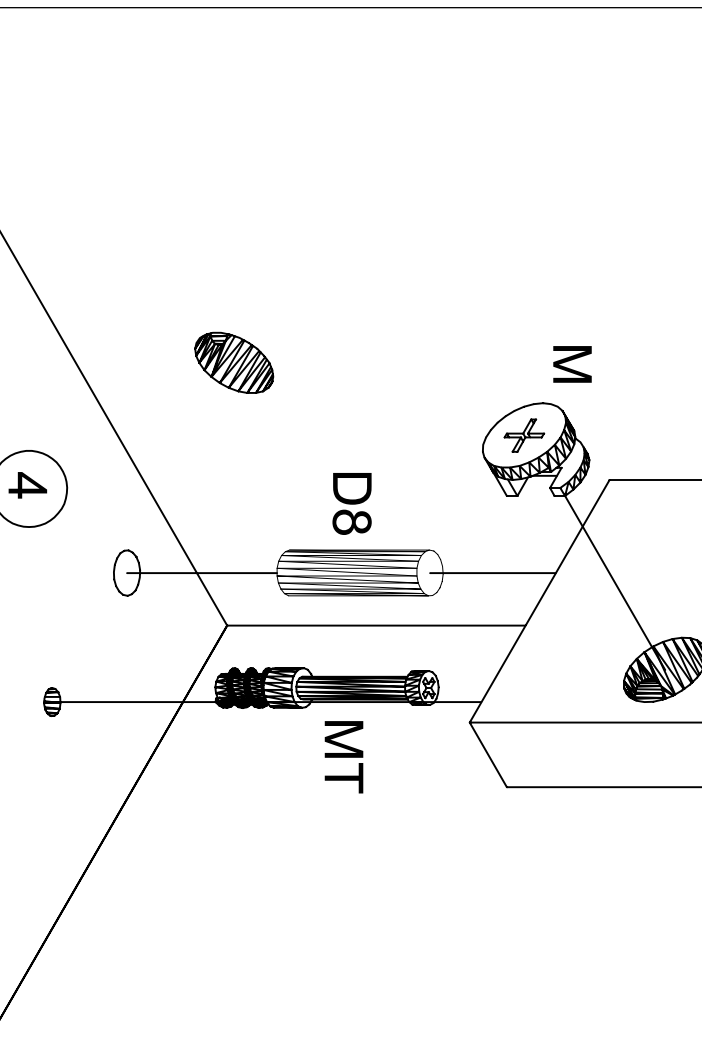
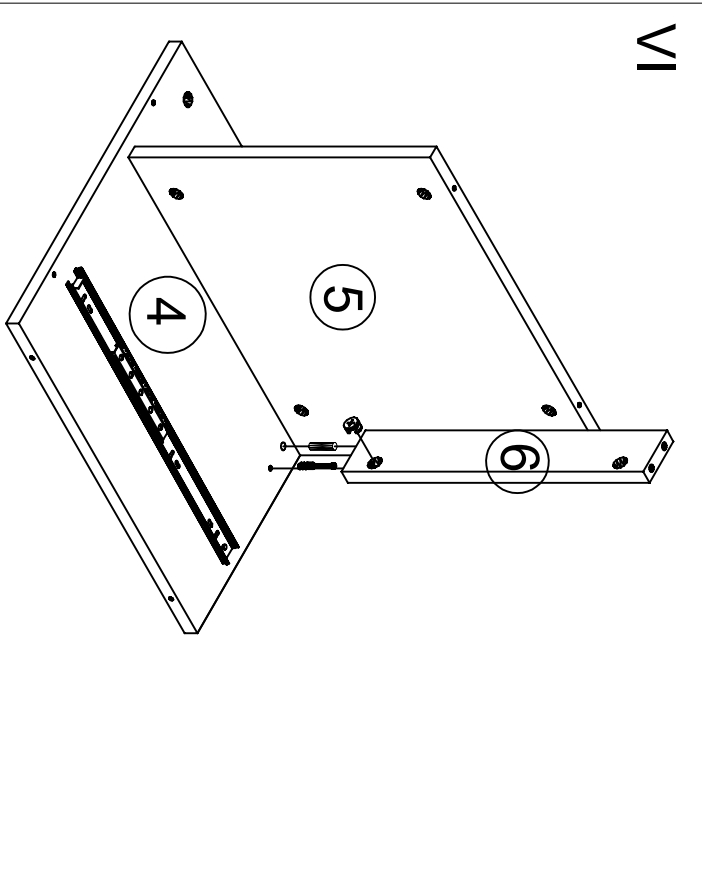
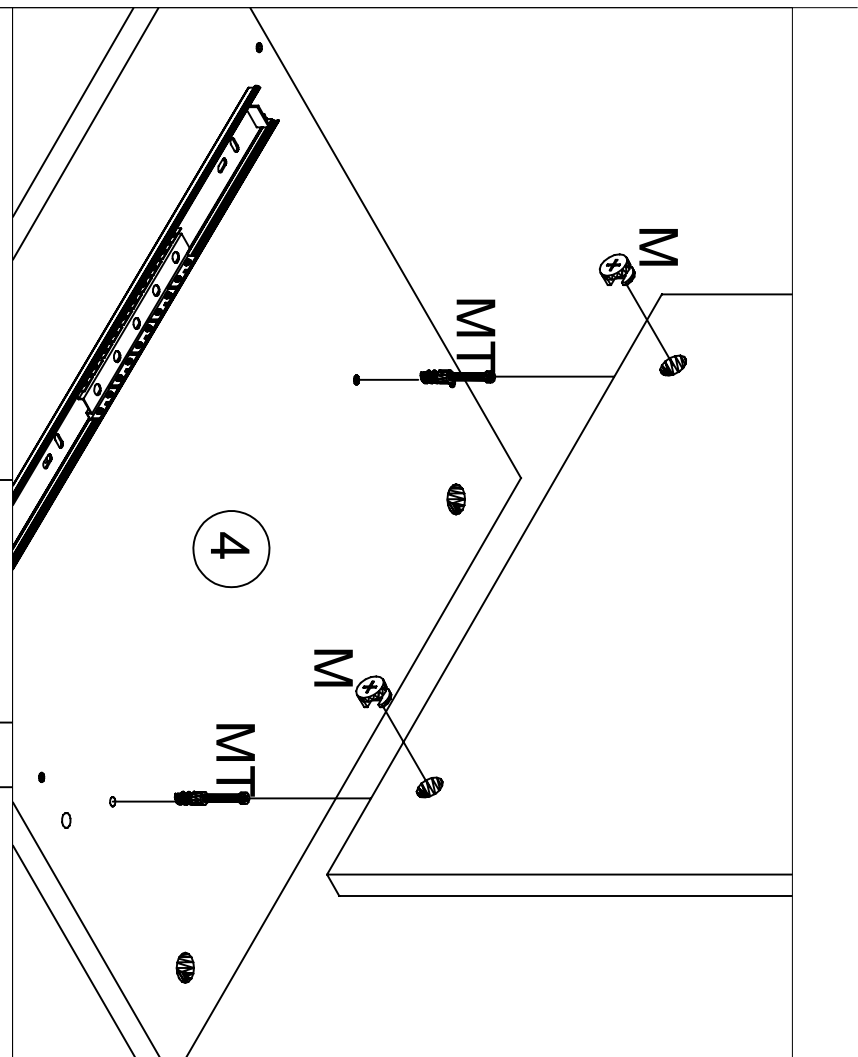
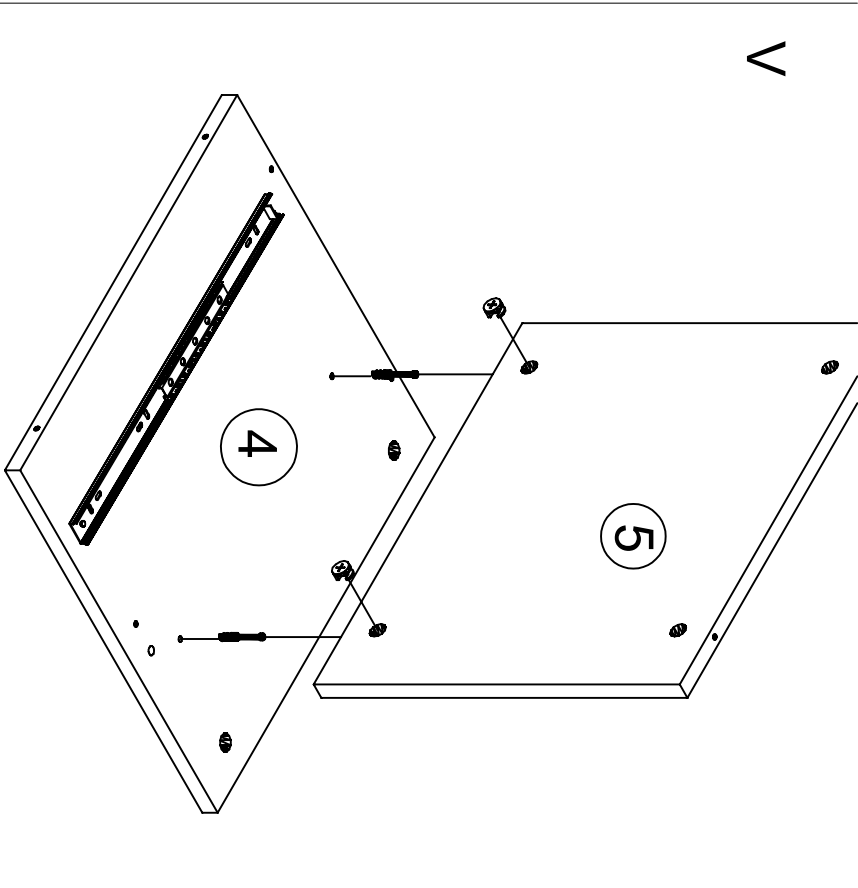
STOLIK NOCNY

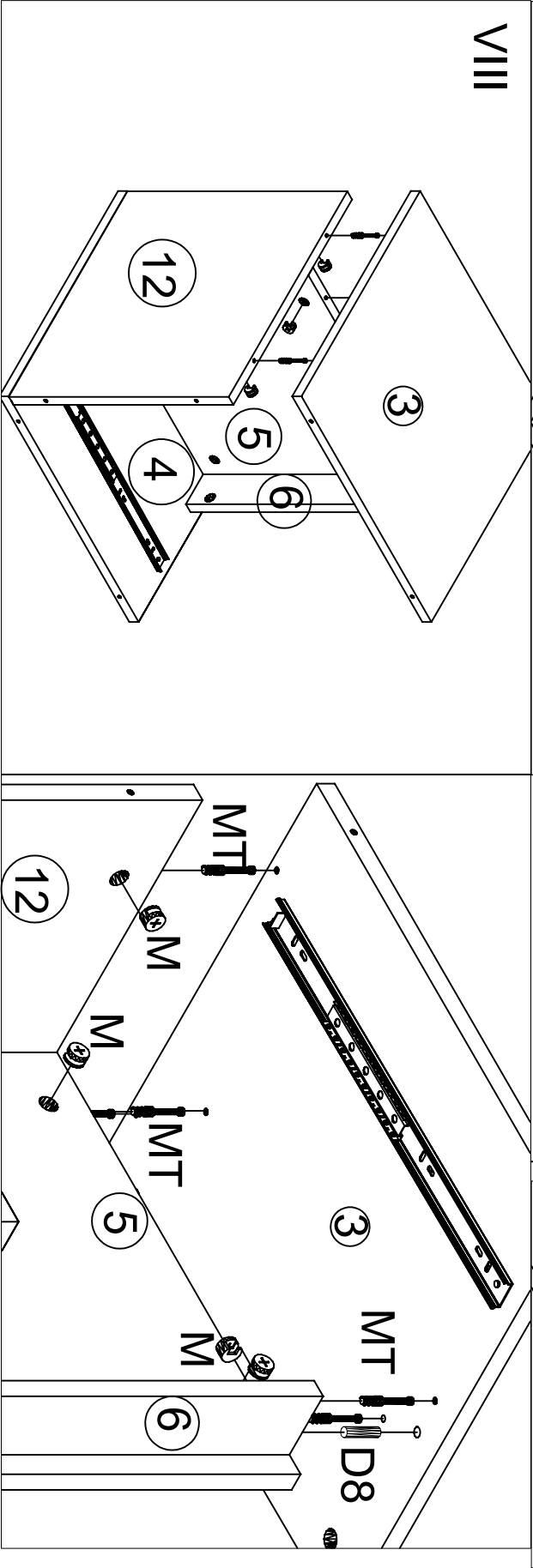
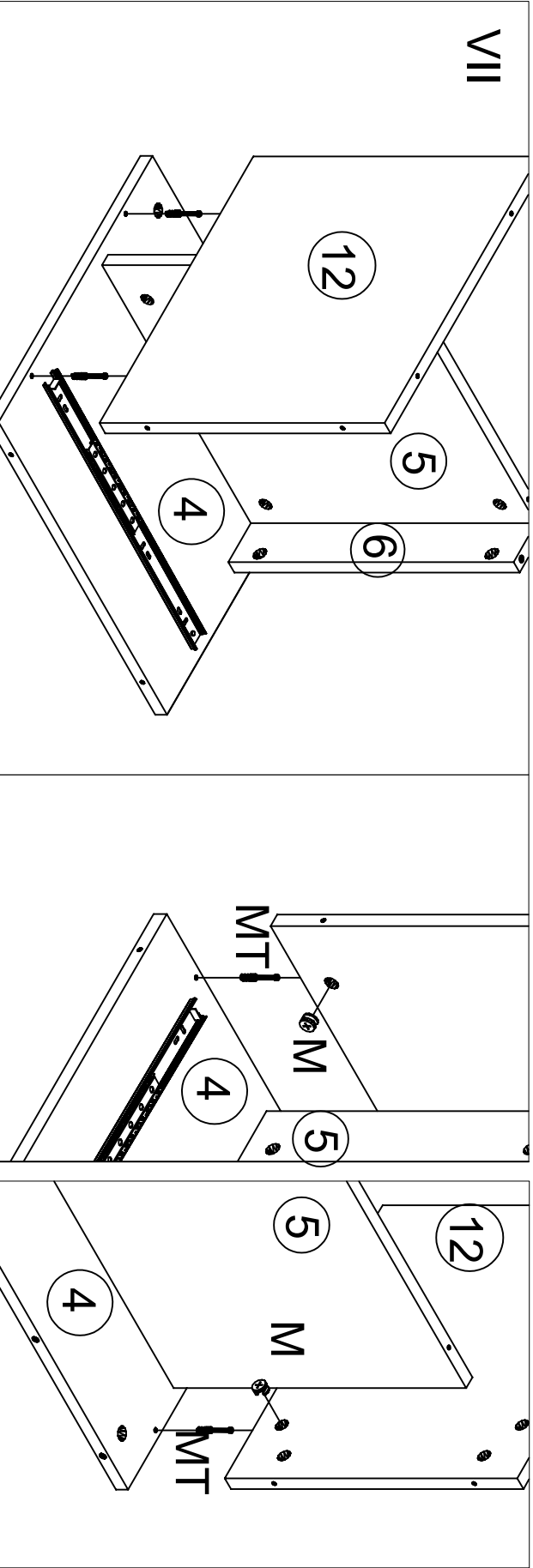
DALIA

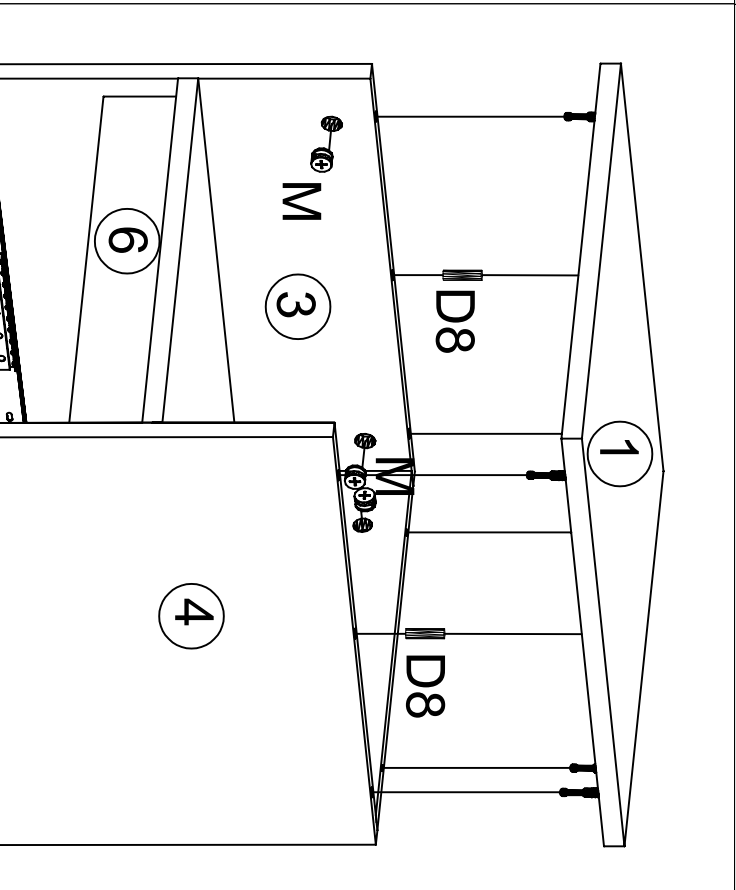
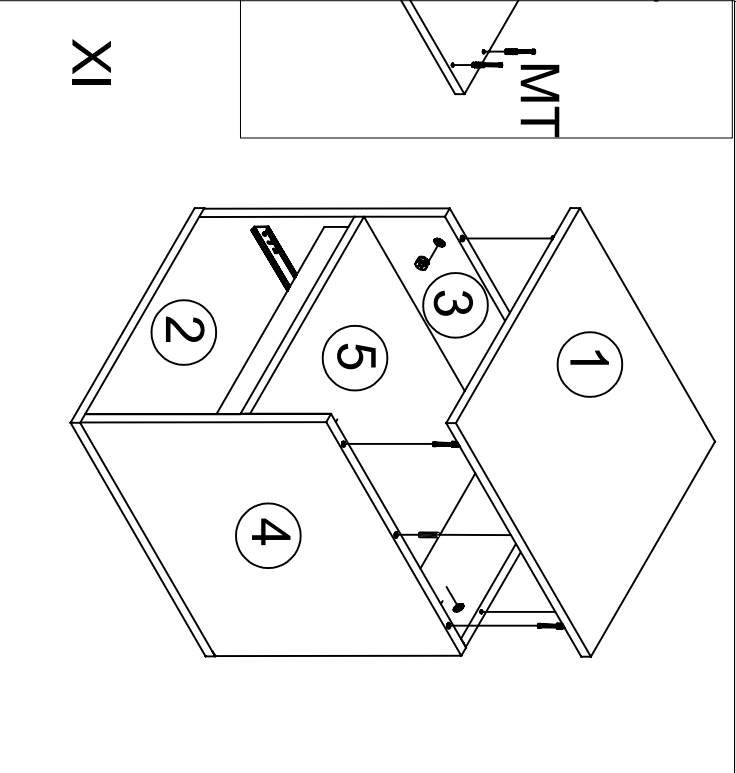
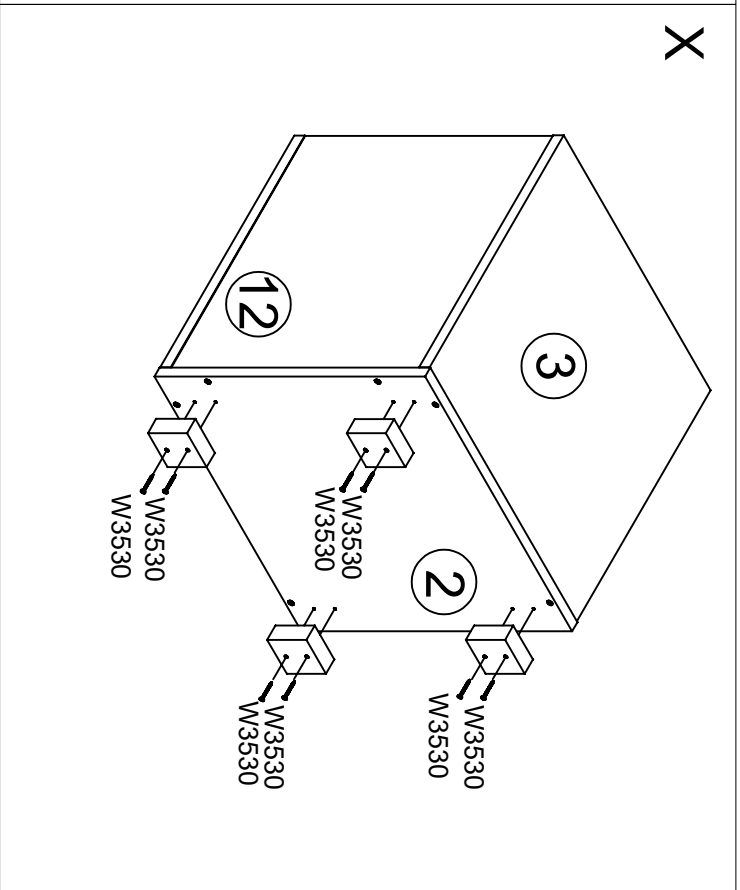
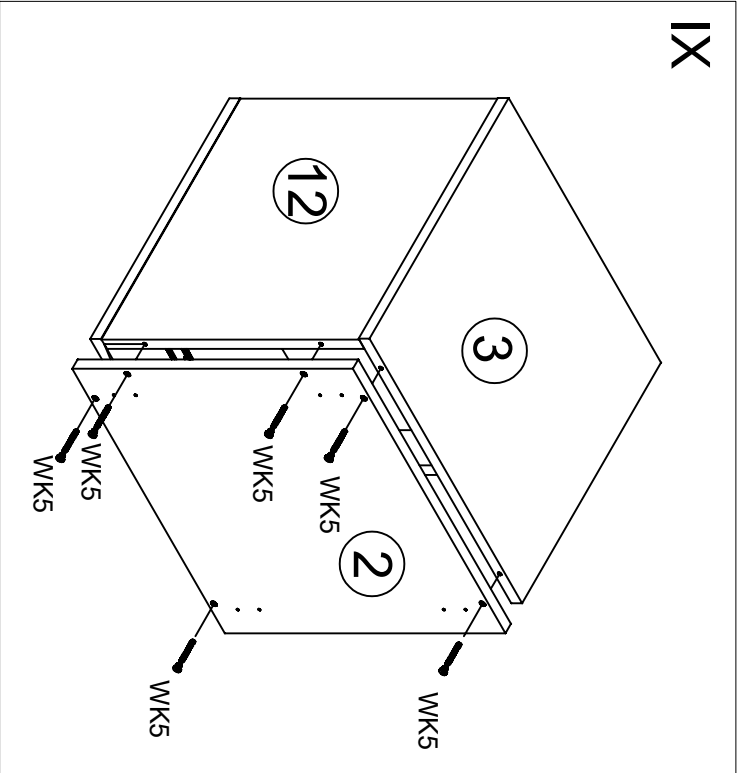


									
S2	x4	W3530	x8	W3513	x12	WK5	x10	MT	x20
									
M	x20	D8	x4	A01	x1	PK	x1		

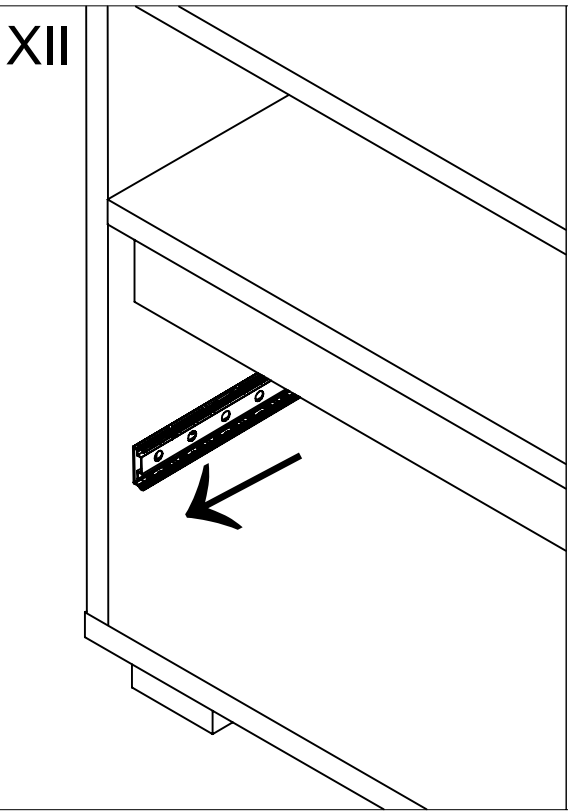




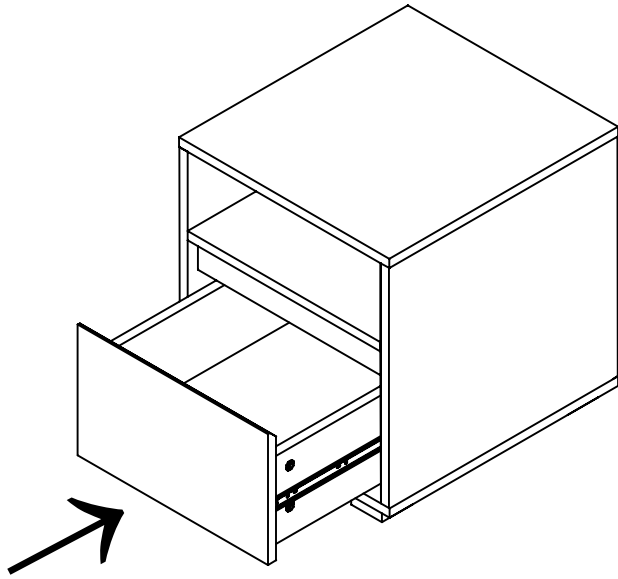


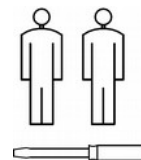


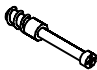

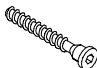





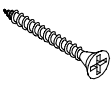


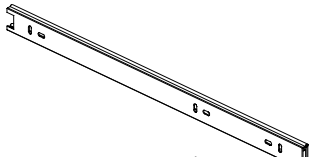

XII

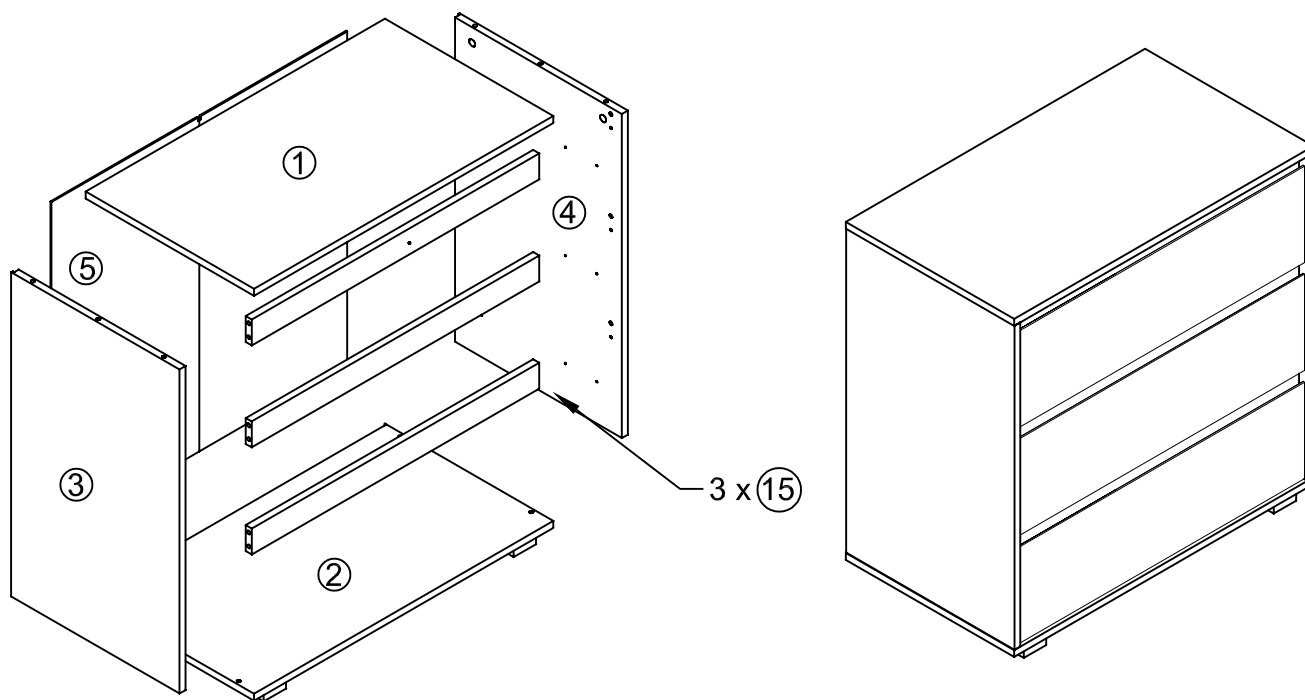


XIII

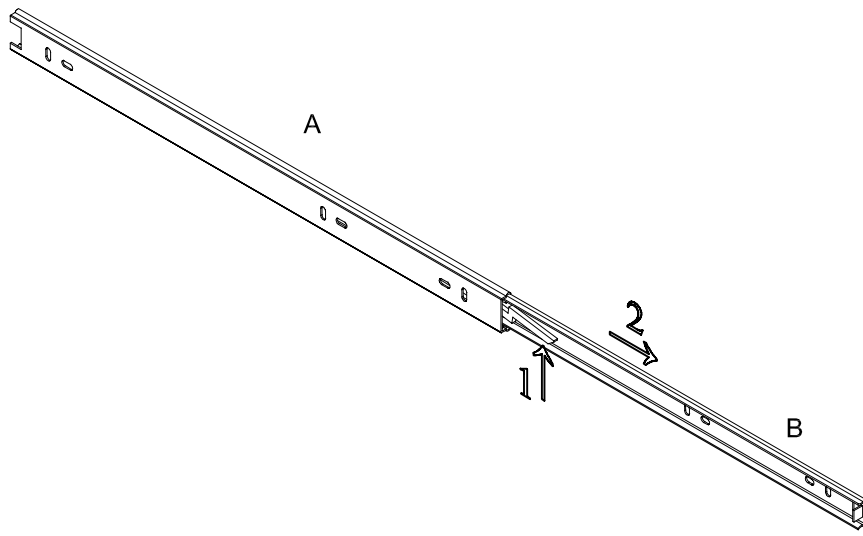




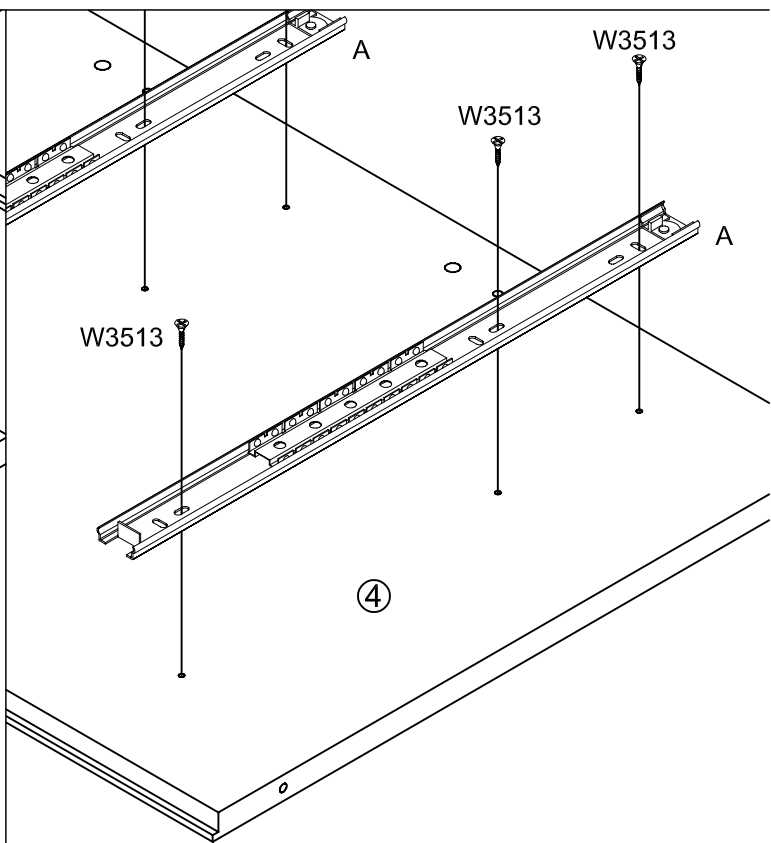
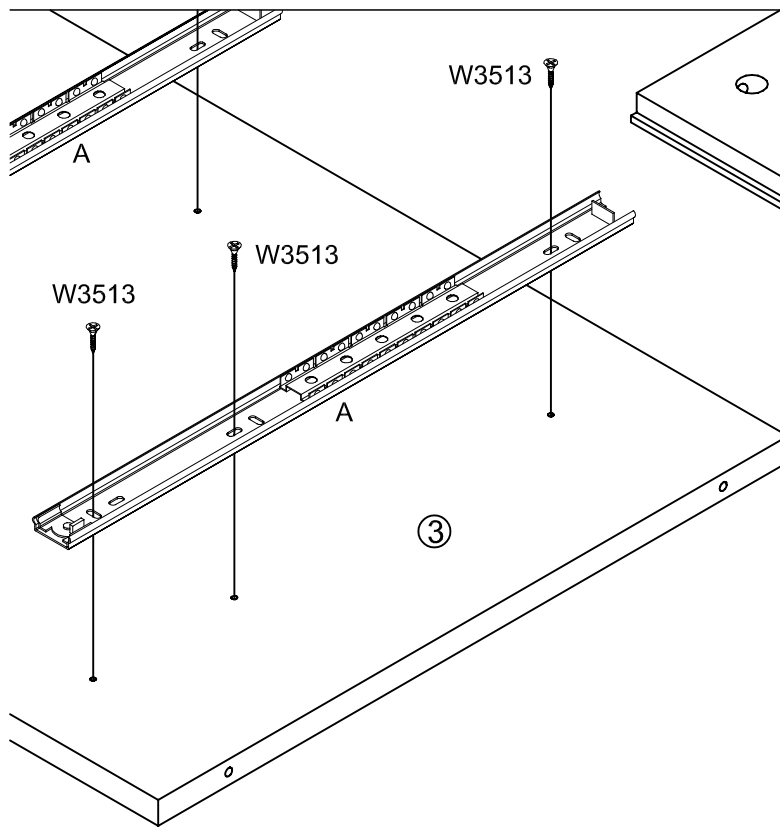
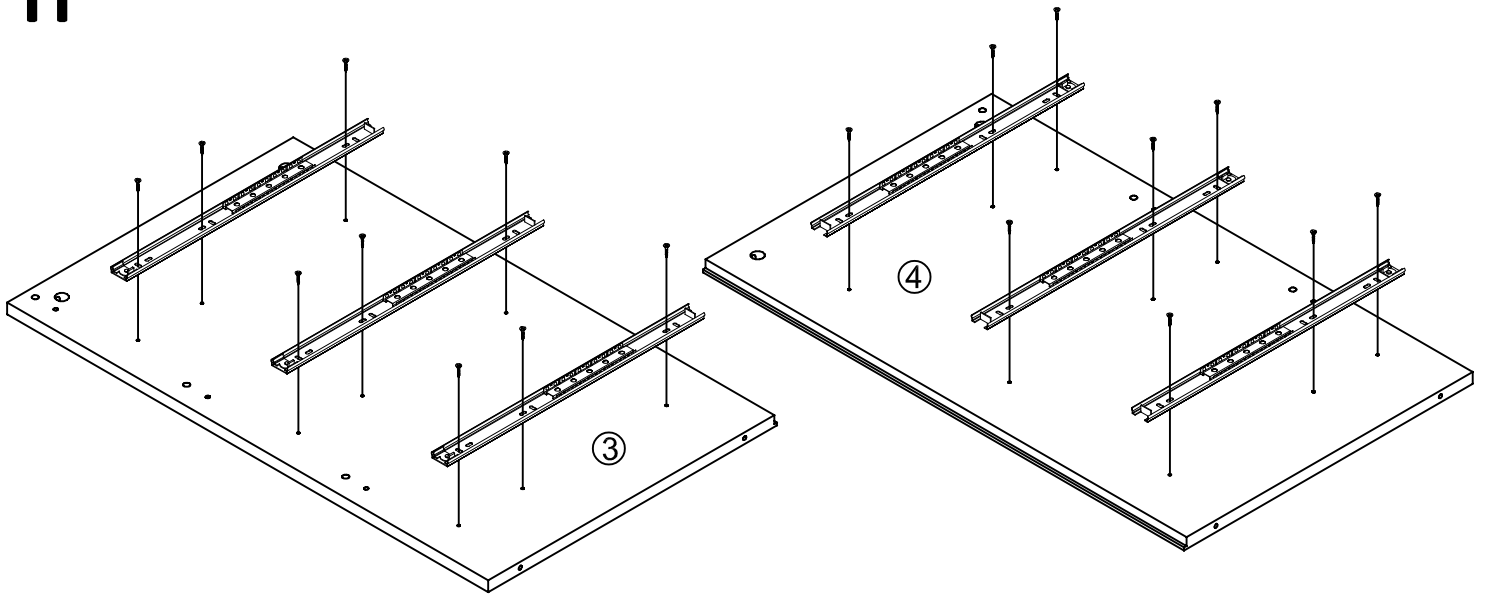
						
MT x22	M x22	7x50 WK5 x16	8x30 D8 x8	3.5x16 W3516 x1	3.5x13 W3513 x36	A02 x30
						
S2 x4	3.5x30 WS x8	A06 x1	A05 x1	PK x6	A01 x1	



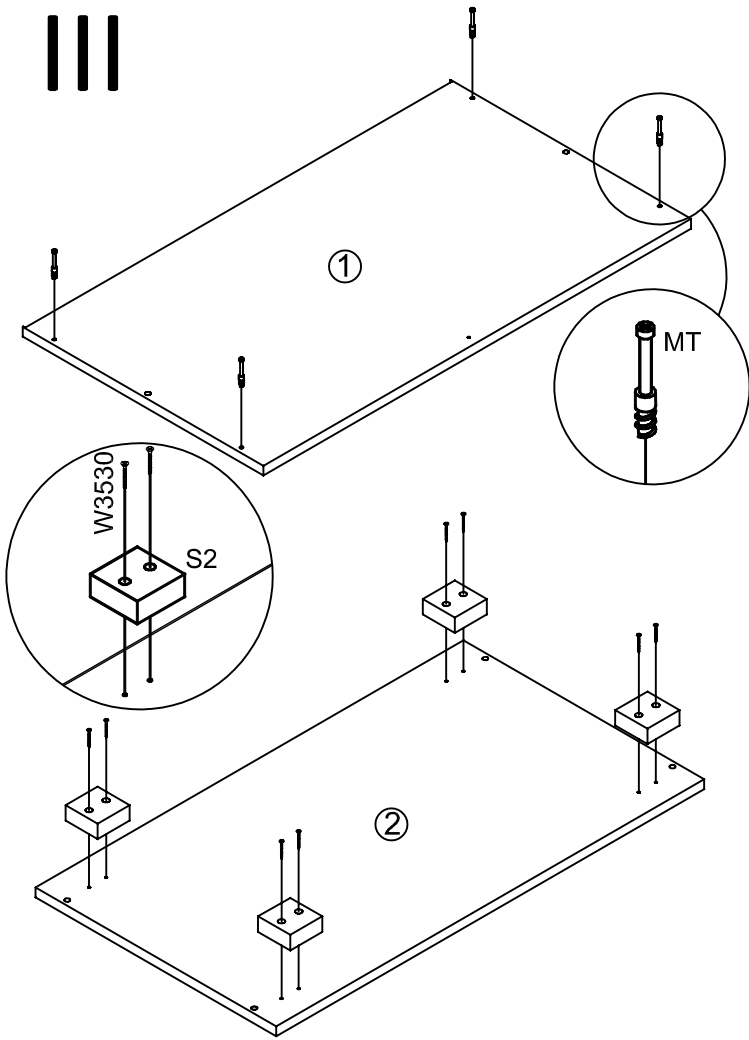
I



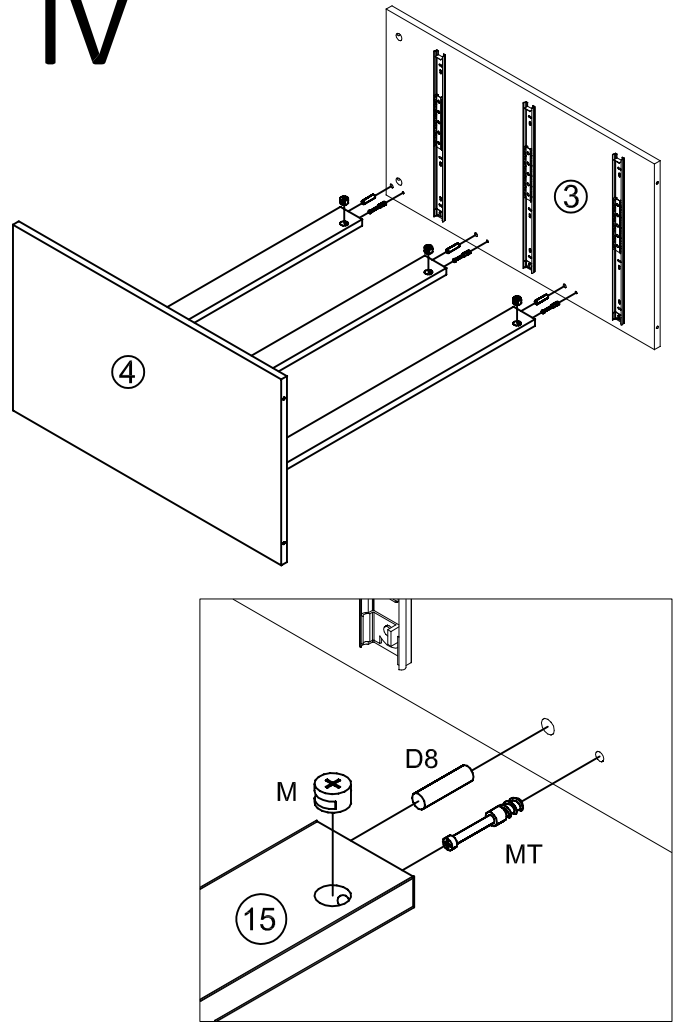
II



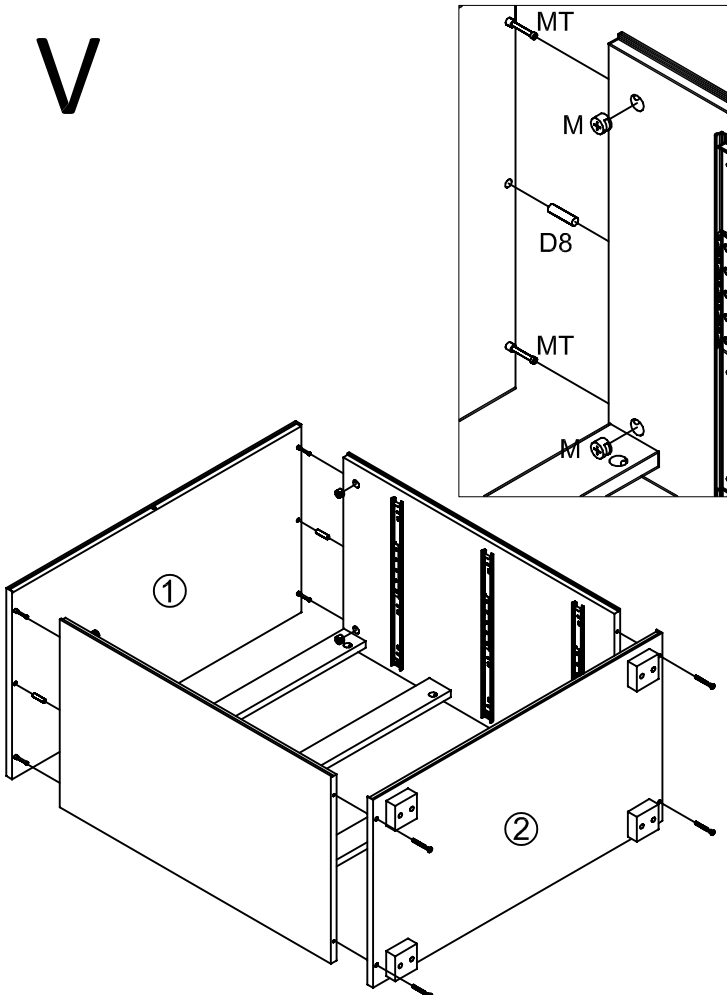
III



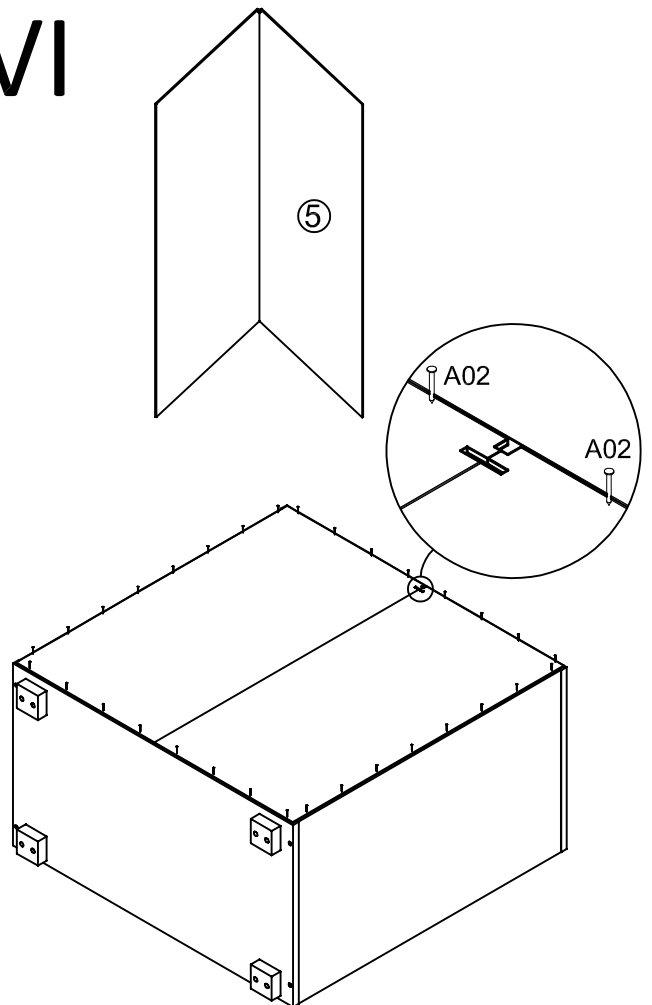
IV



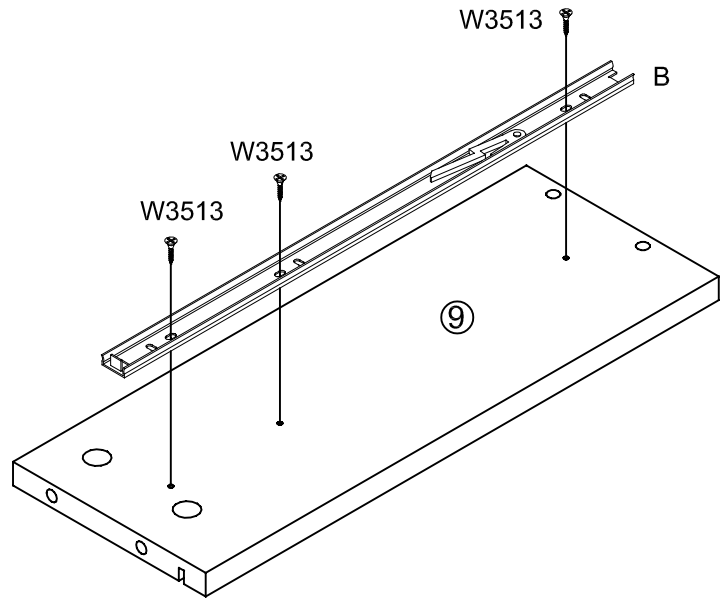
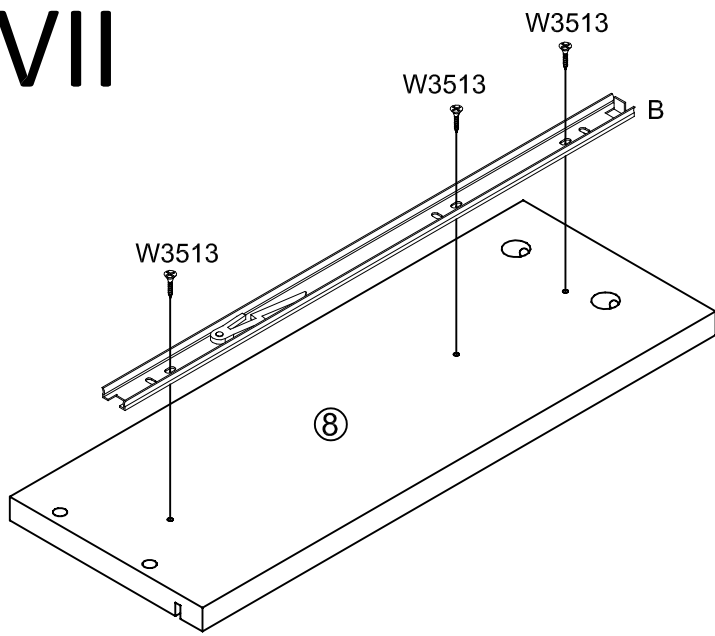
V



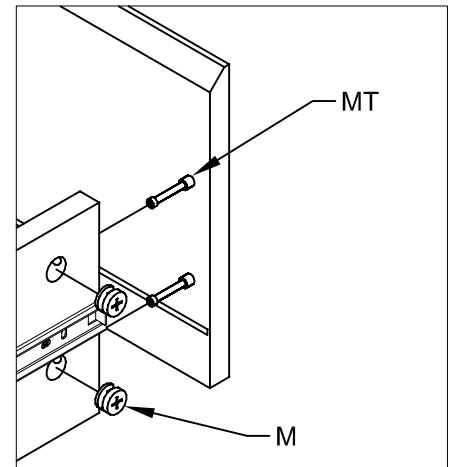
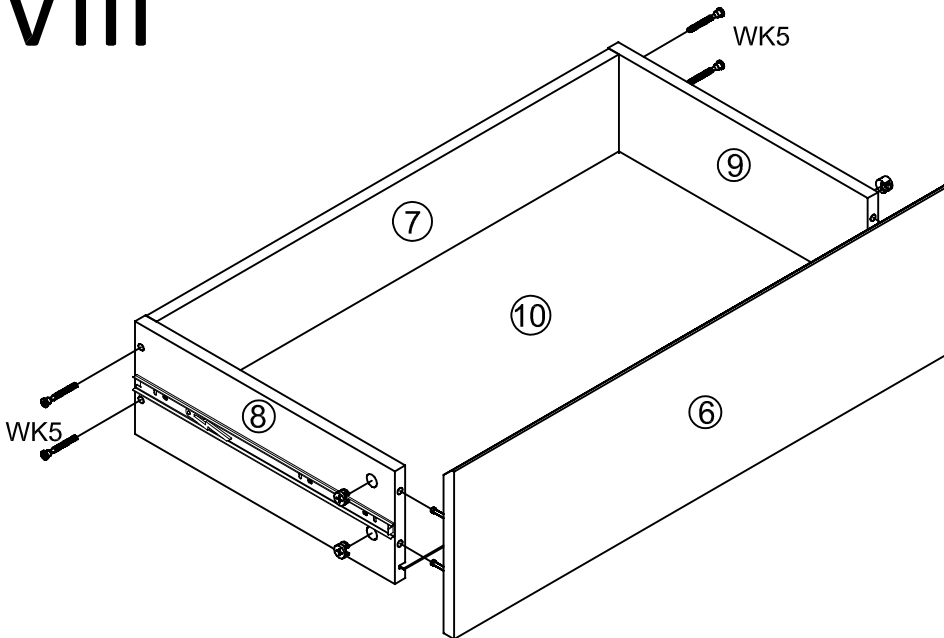
VI



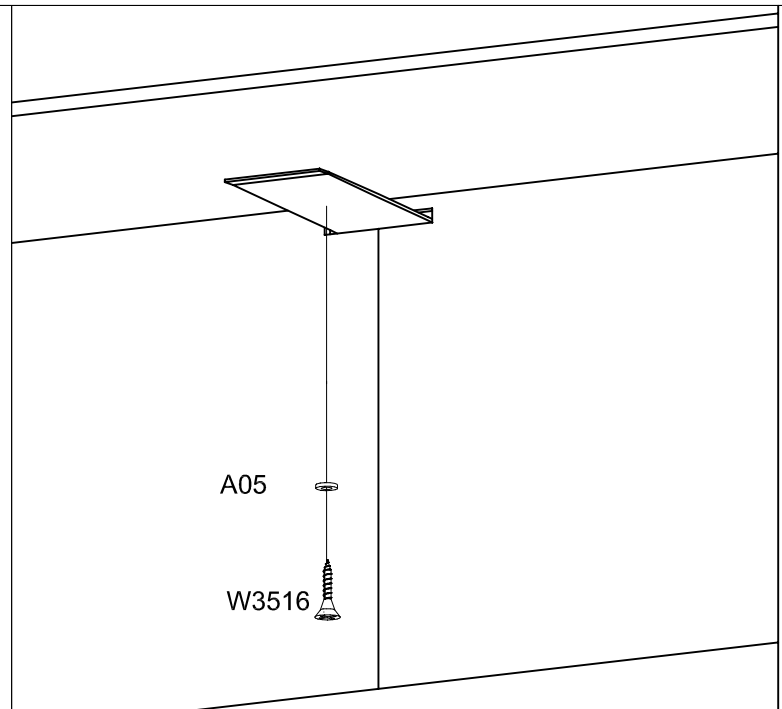
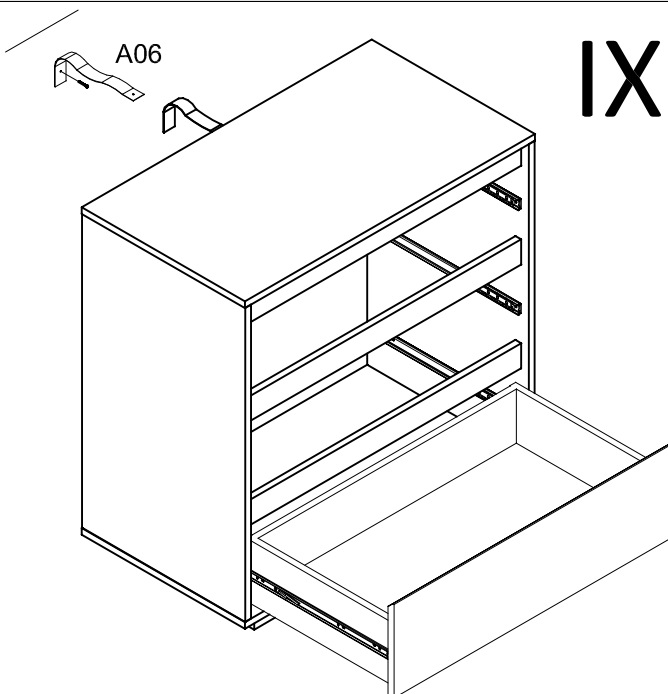
VII



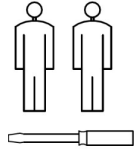
VIII




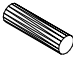
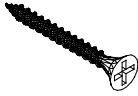




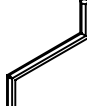


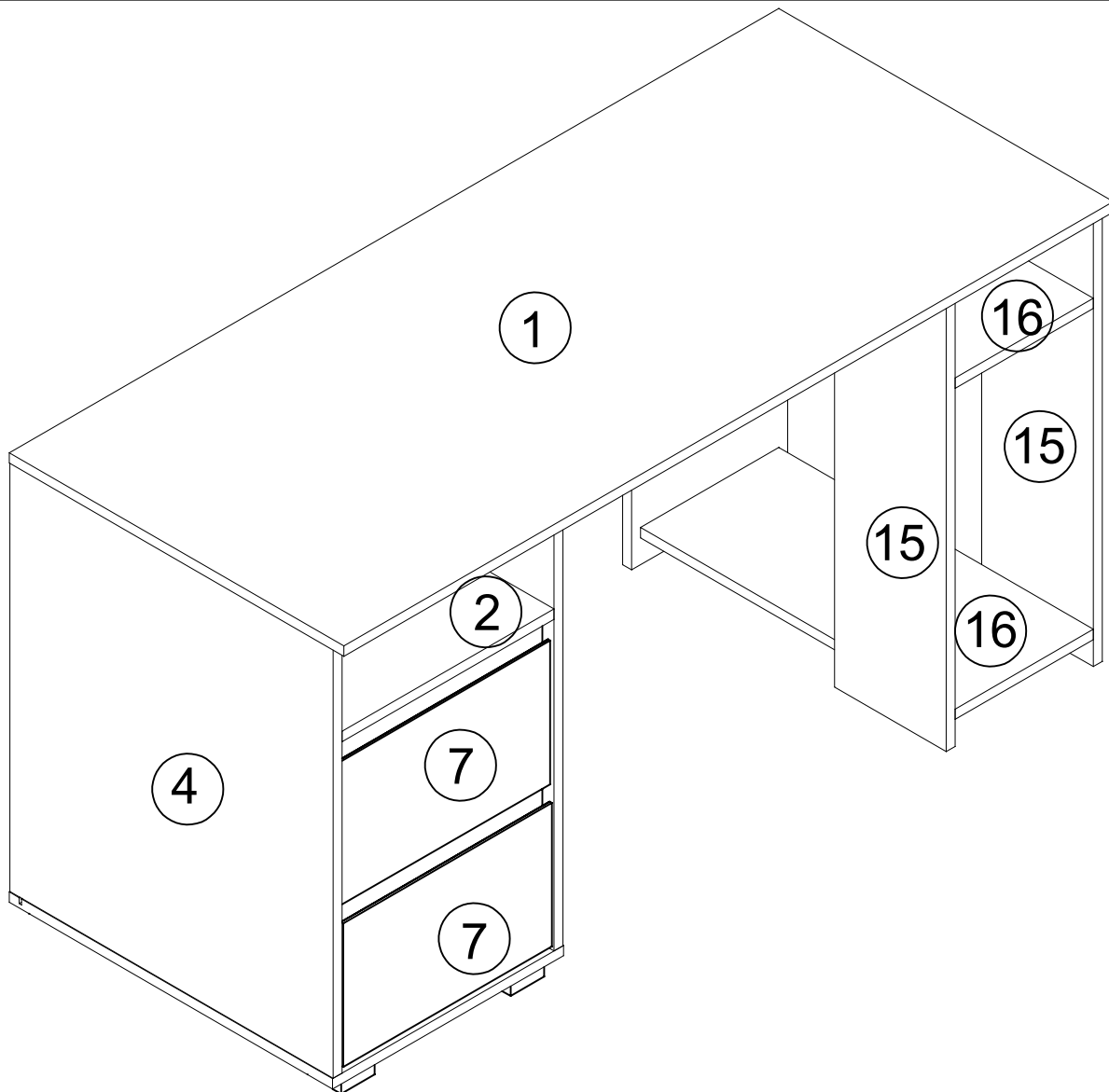
IX



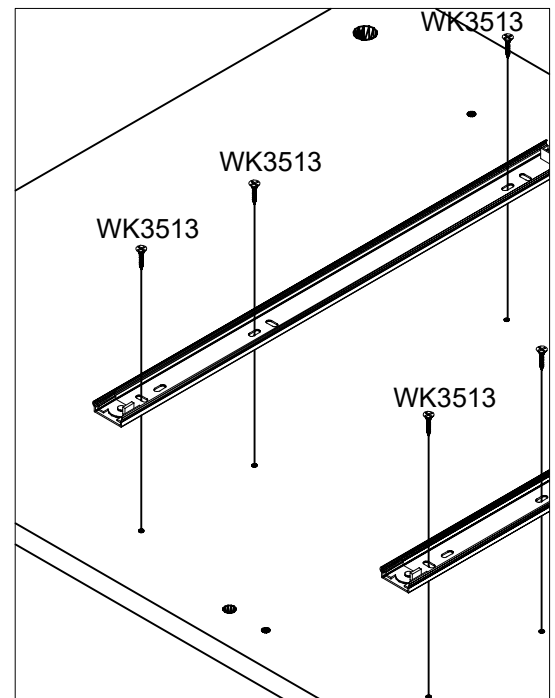
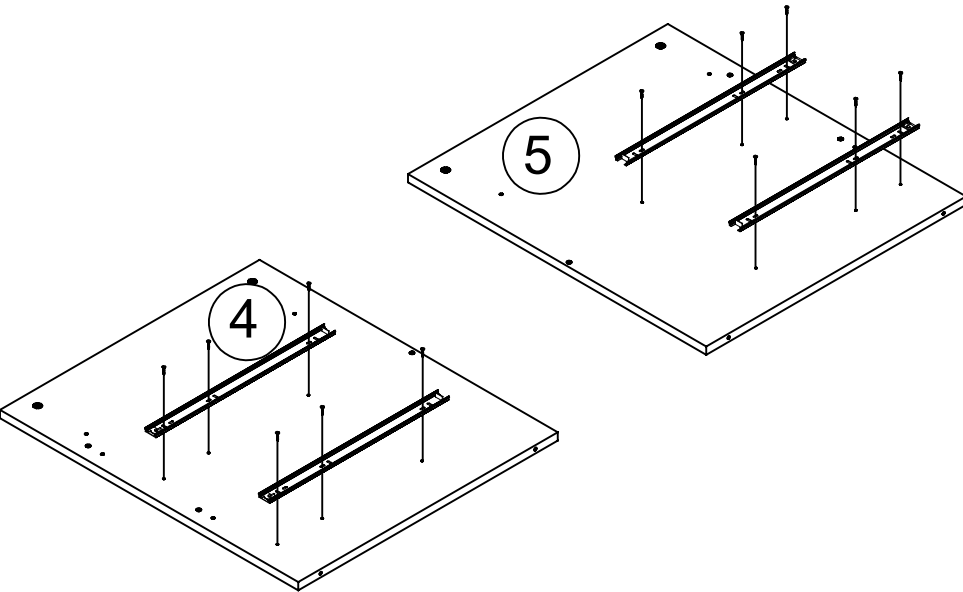
BIURKO DALIA



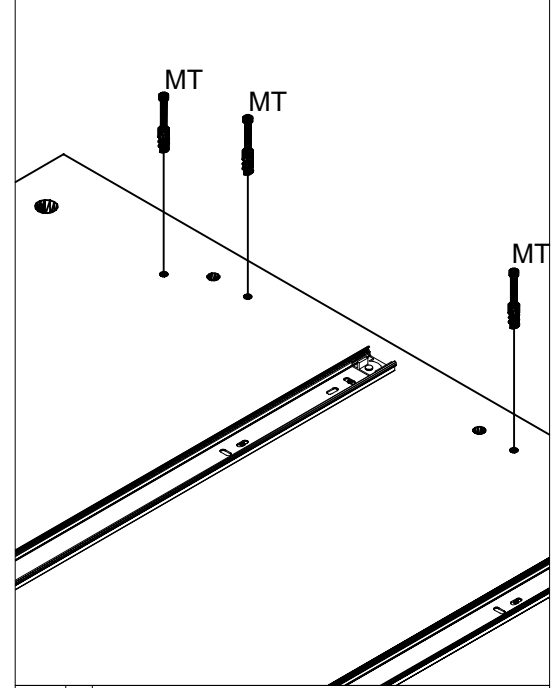
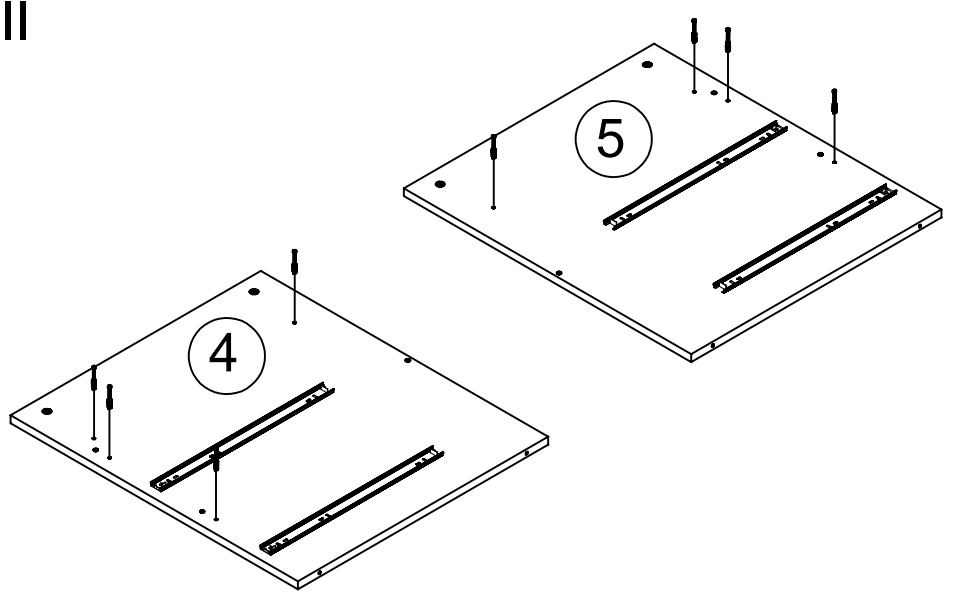
				
WK5 x12	MT x42	M x42	D8 x20	WK3530 x8
				
WK3525 x3	WK3513 x24	PK x2	S2 x4	A01 x1



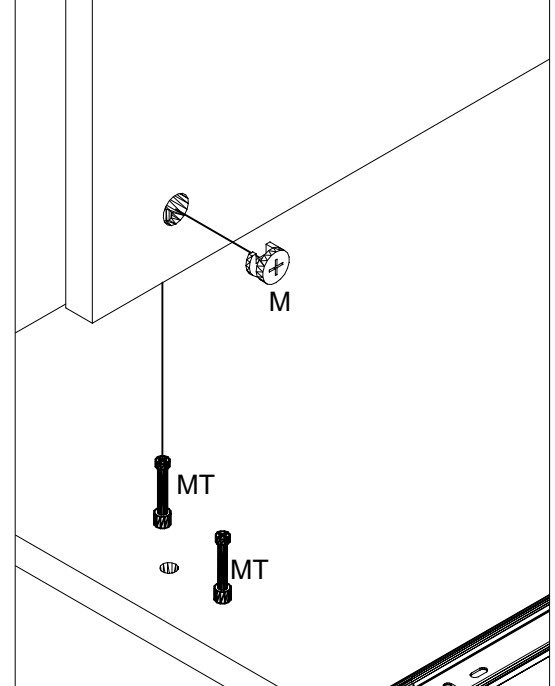
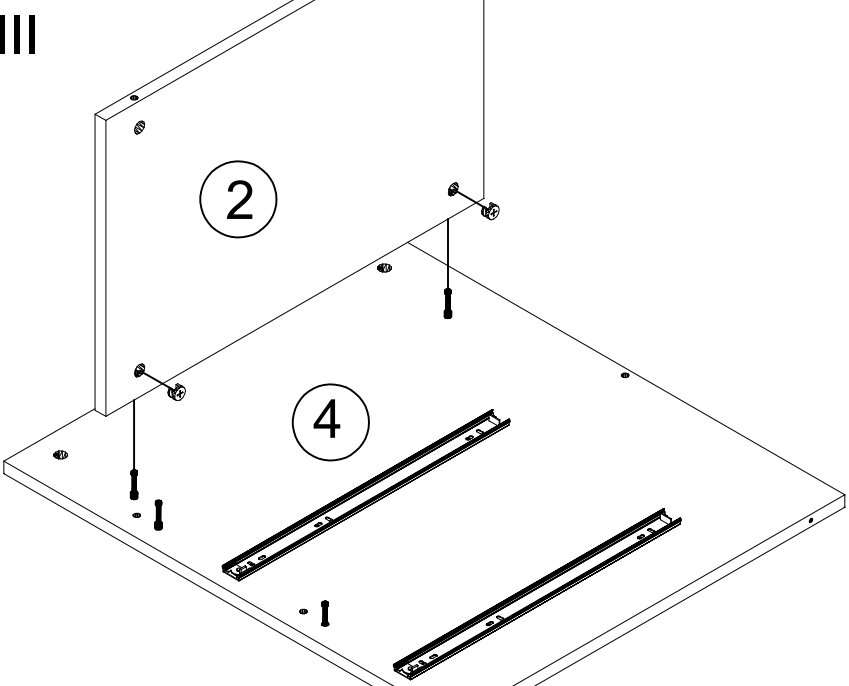
I



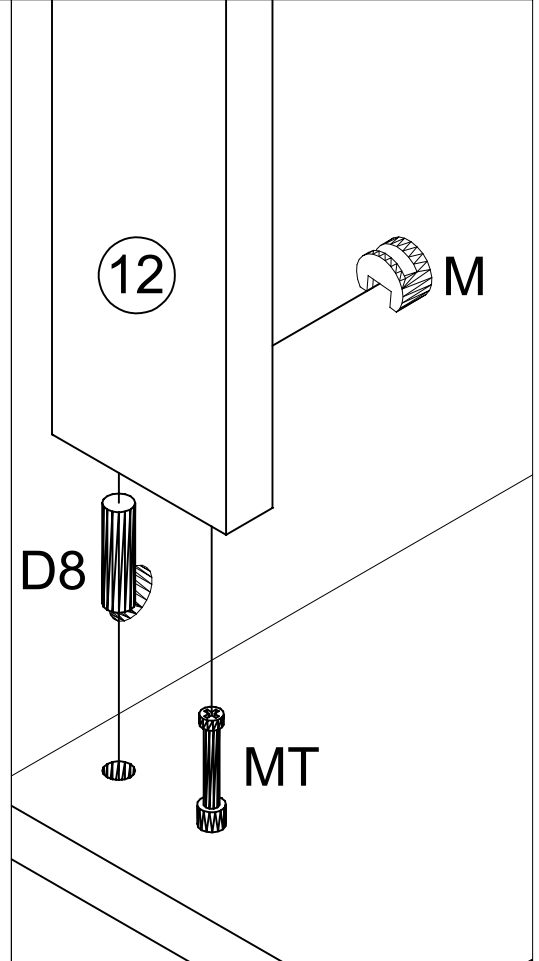
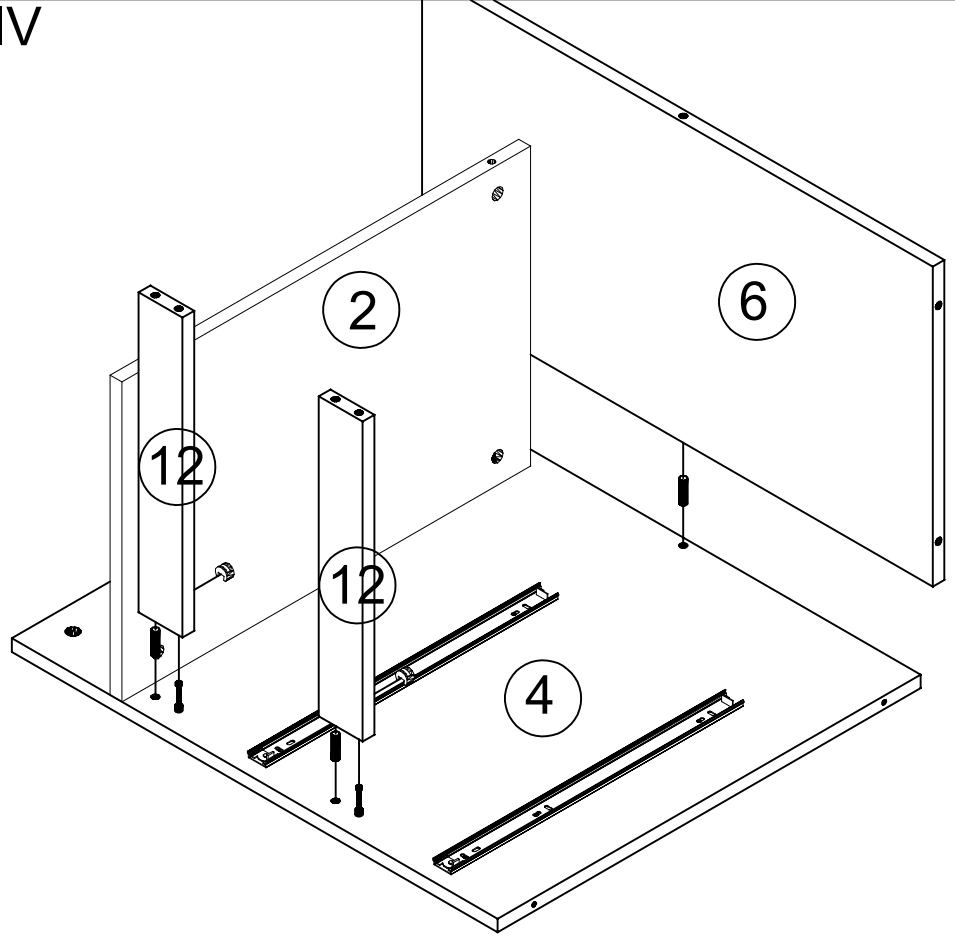
II



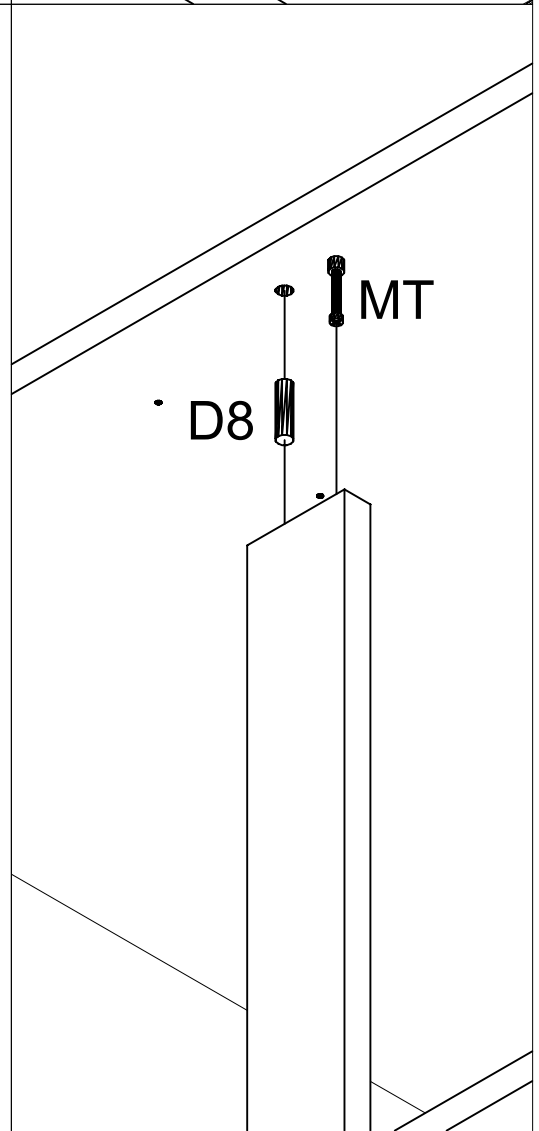
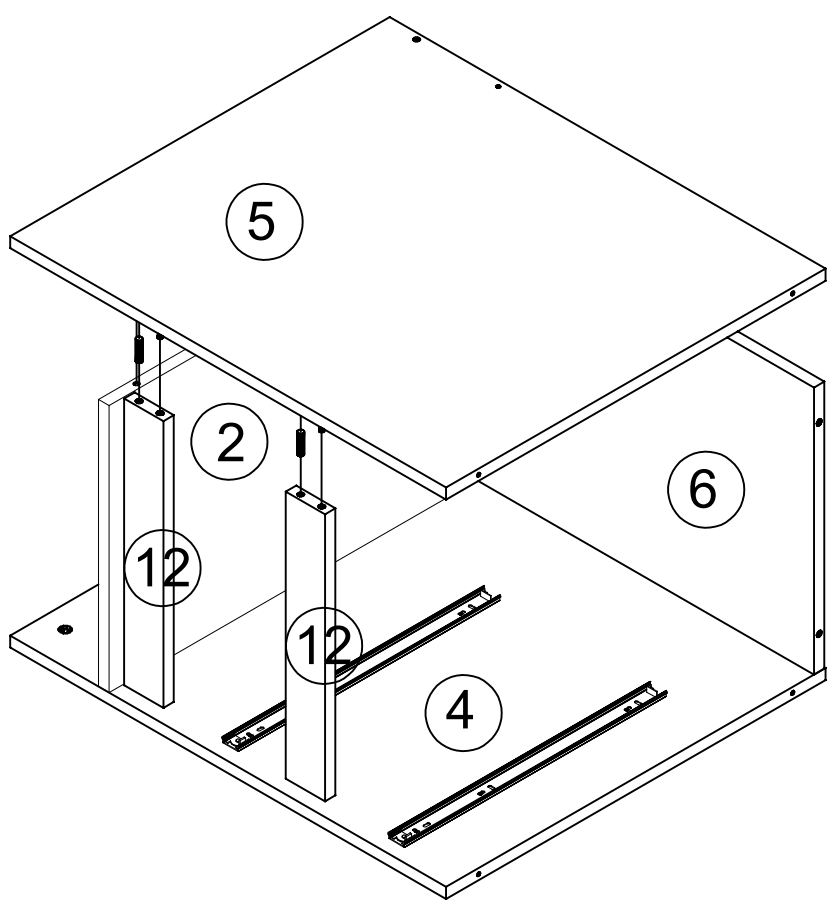
III



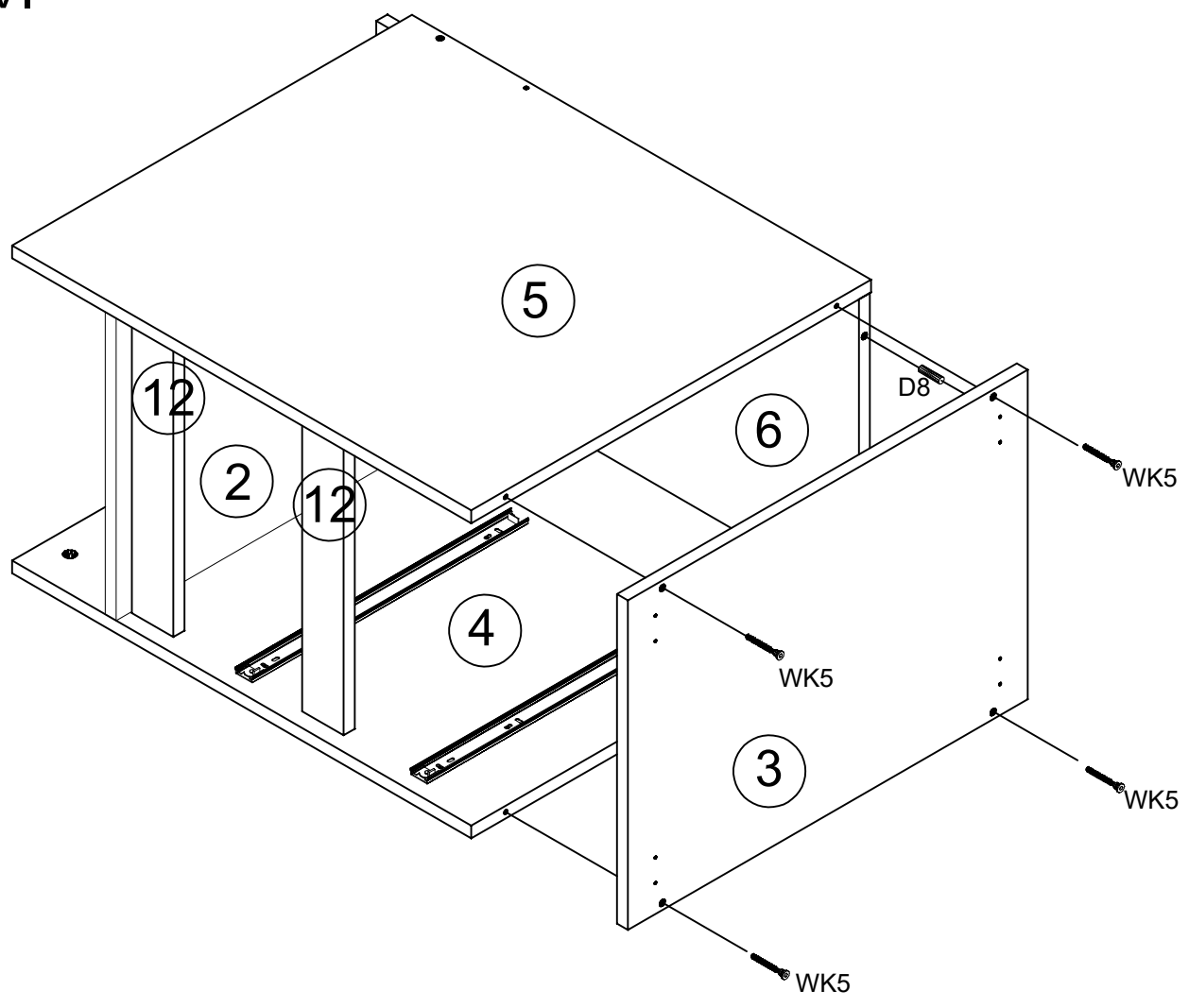
IV



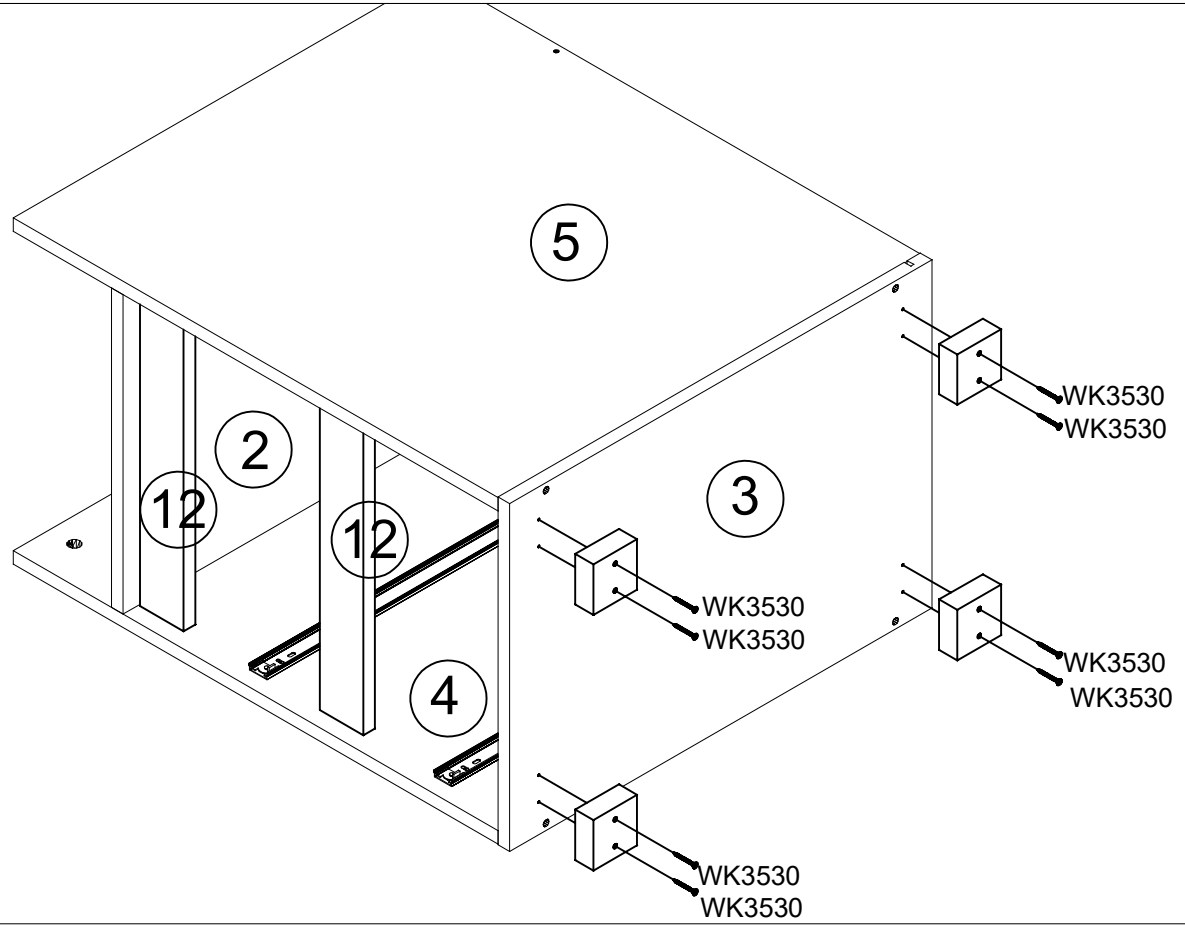
V



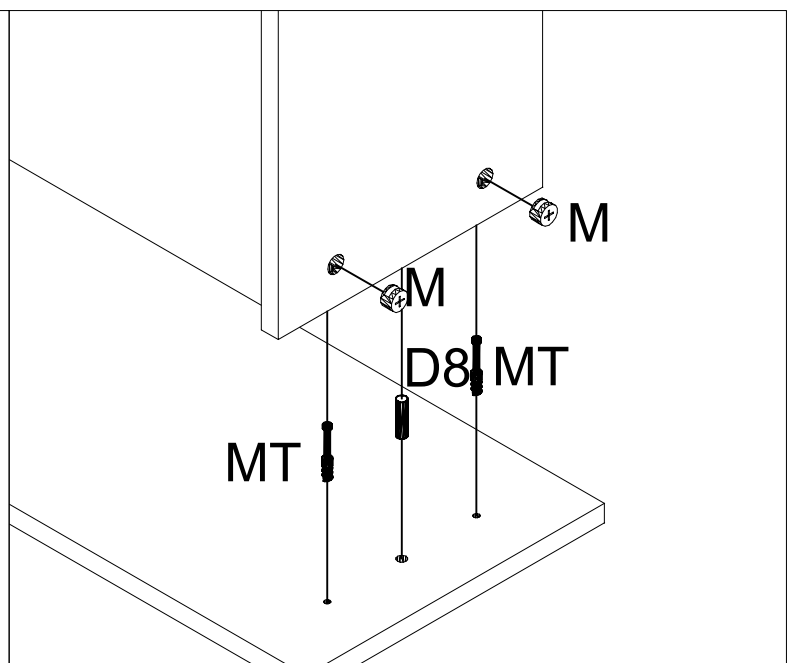
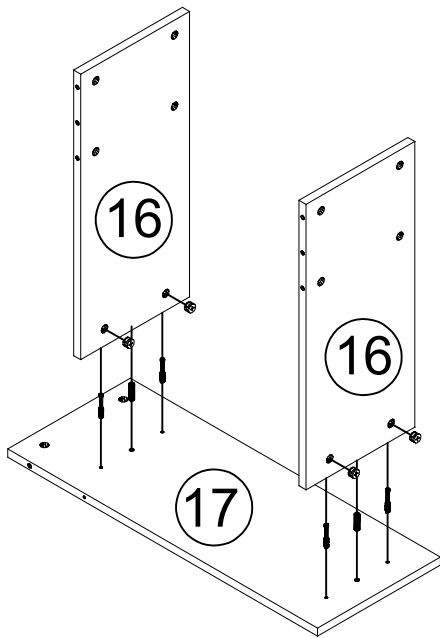
VI



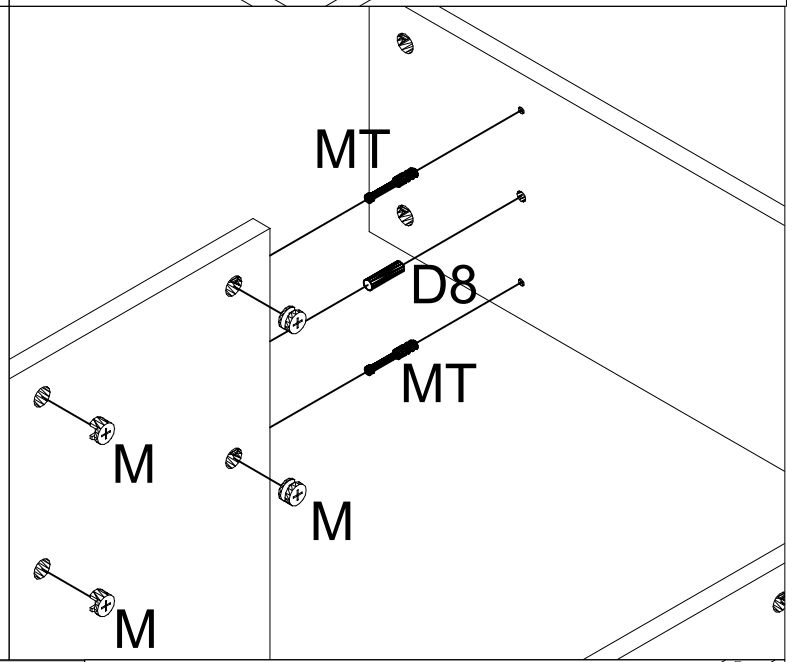
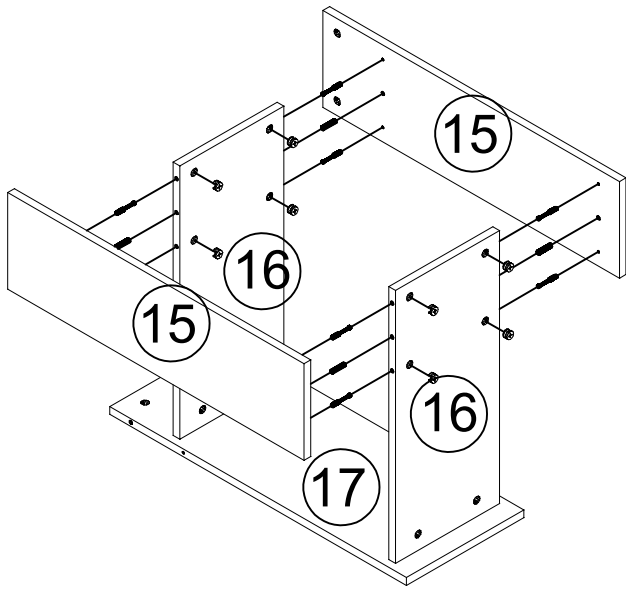
VII



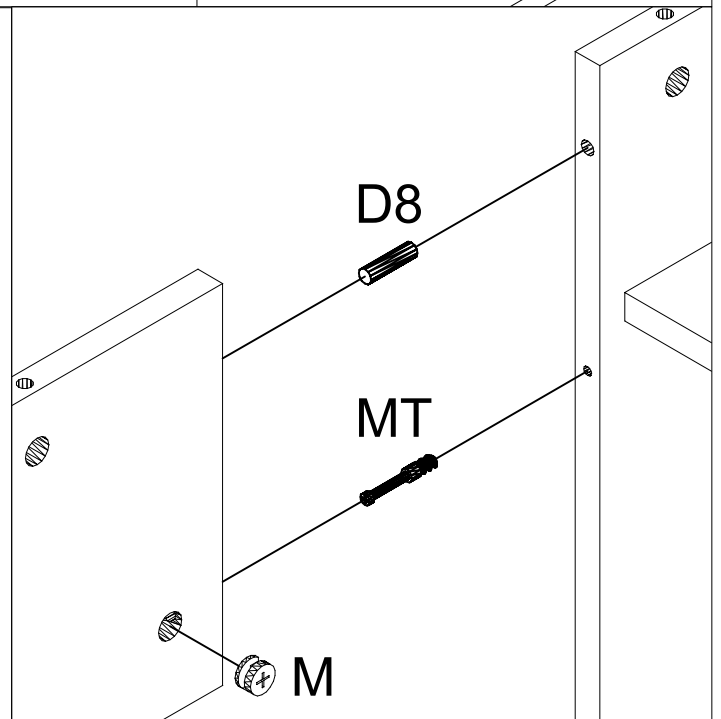
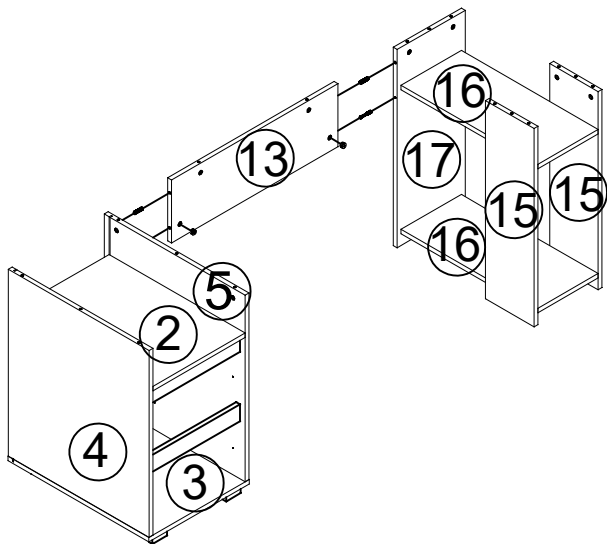
VIII



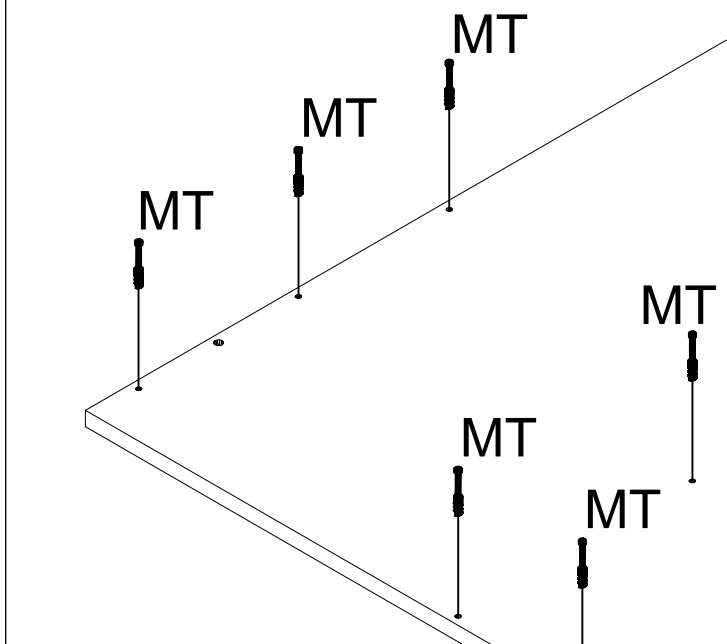
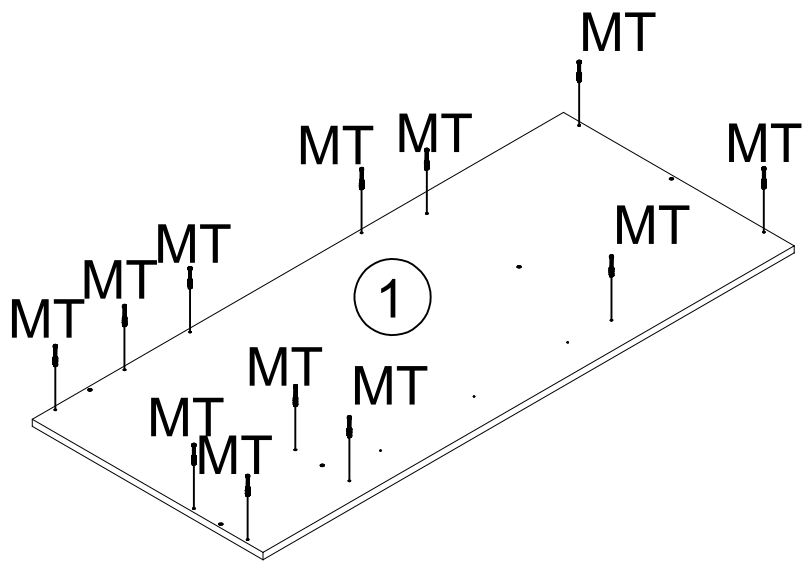
IX



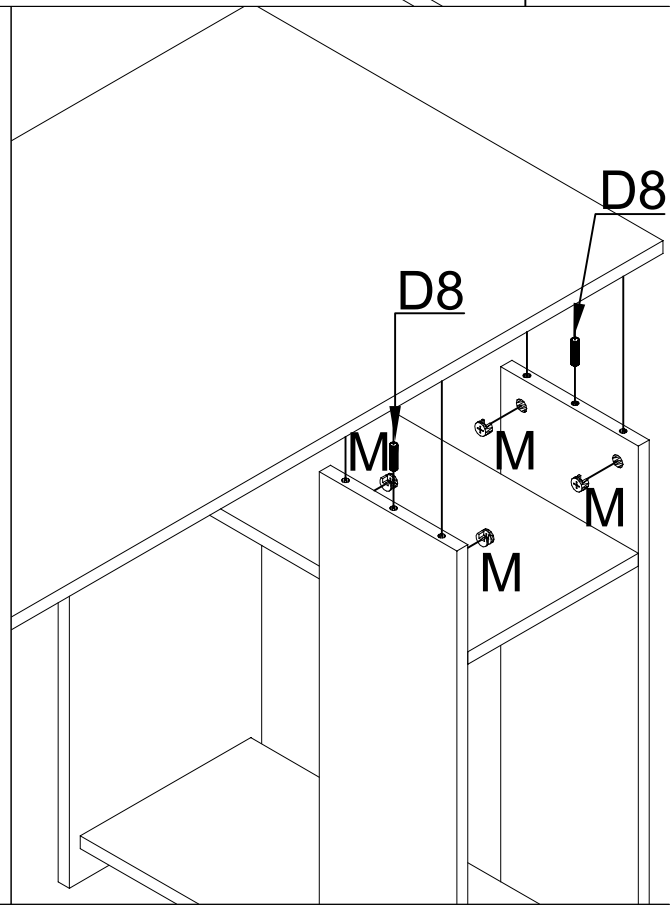
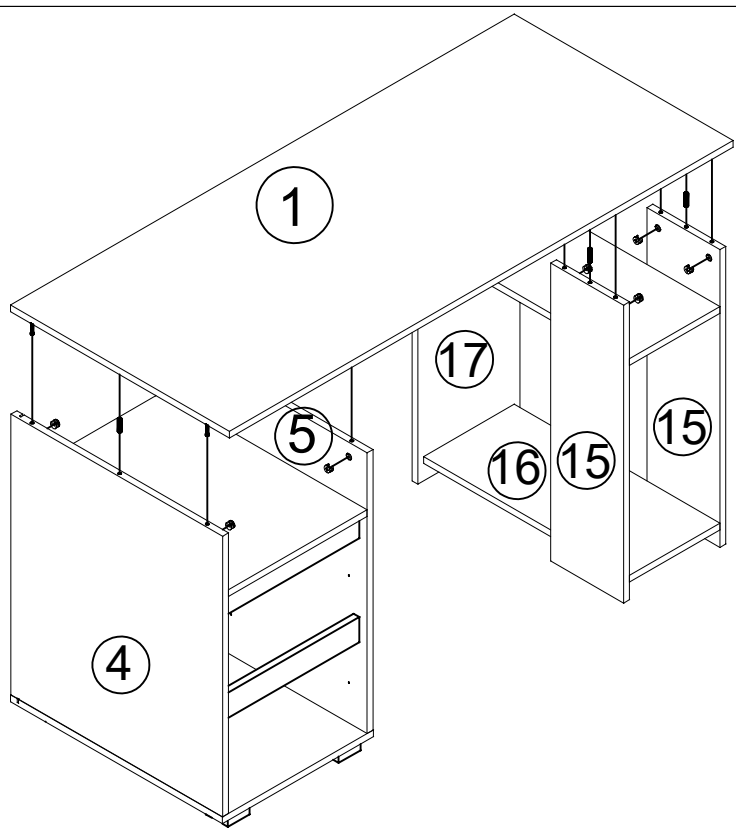
X



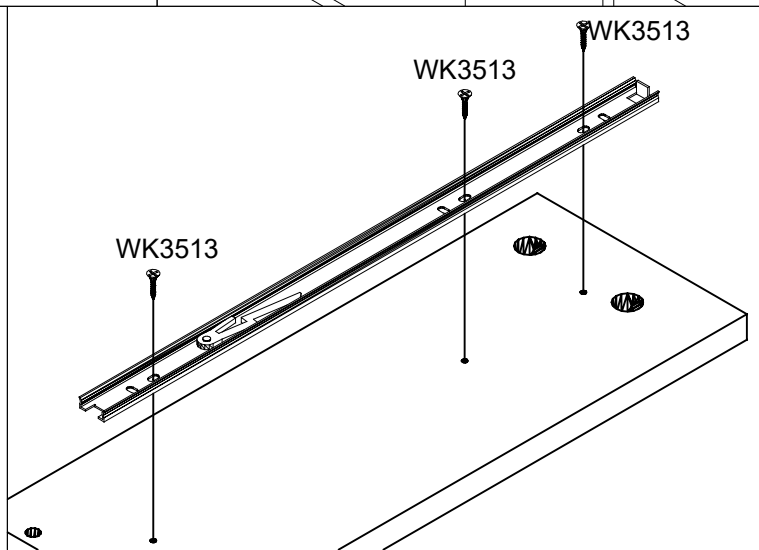
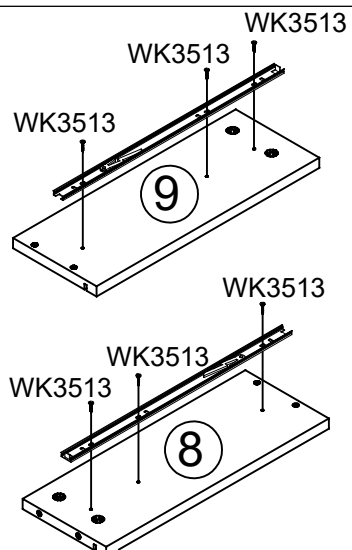
XI



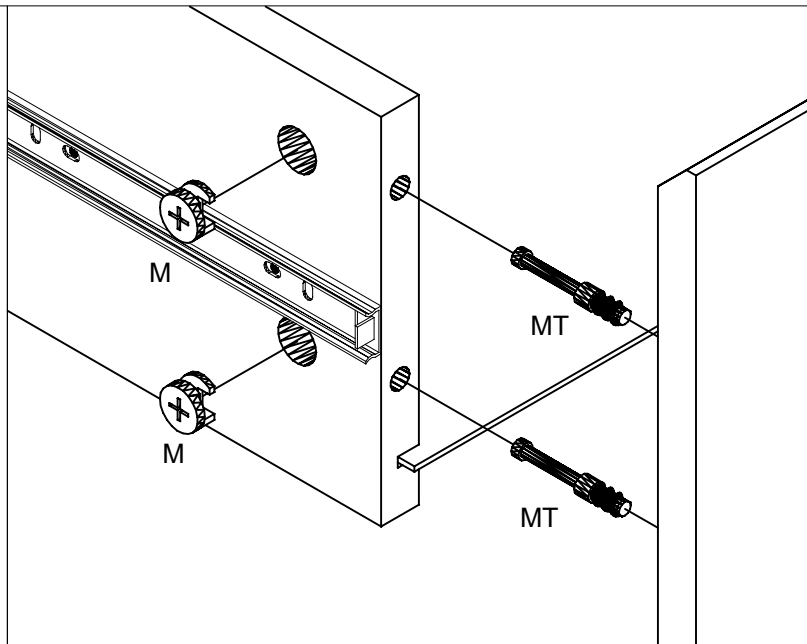
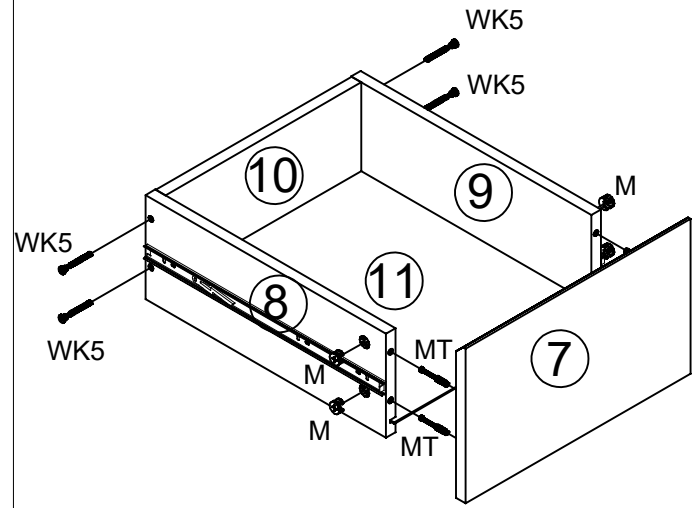
XII



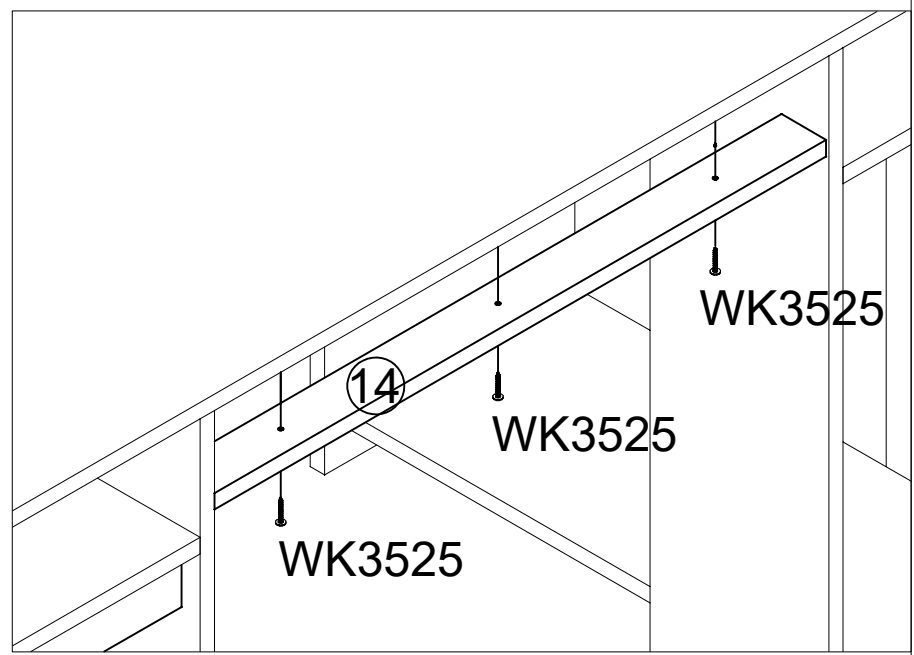
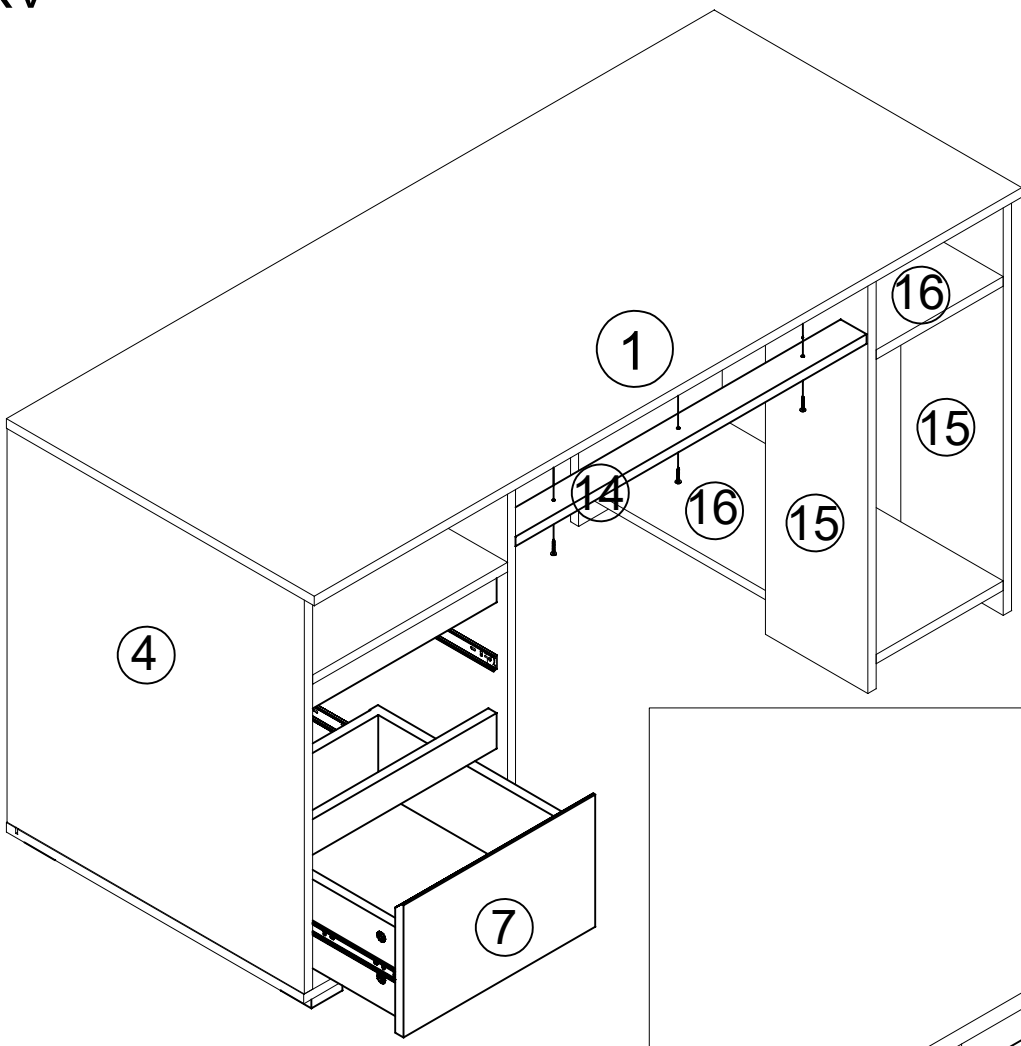
XIII

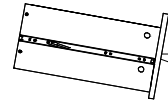
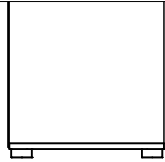
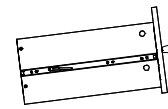
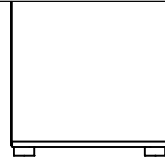
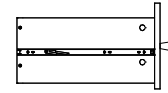
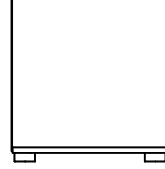
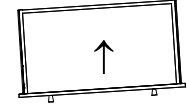
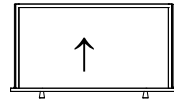
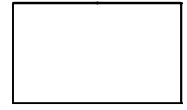
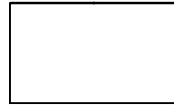
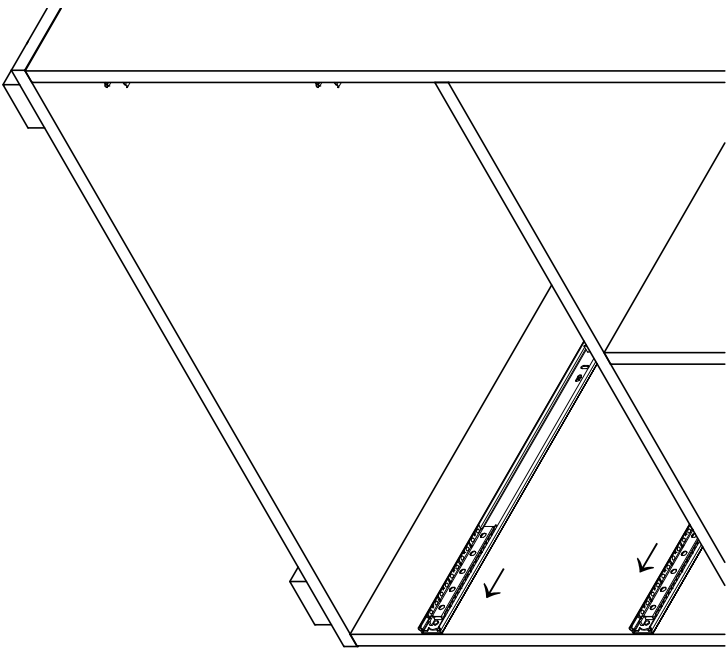


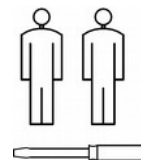
XIV

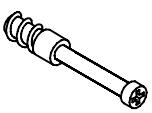
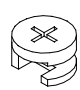
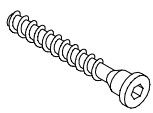
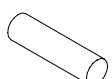
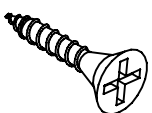
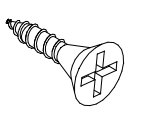
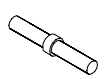
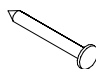
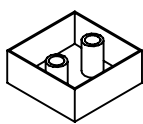
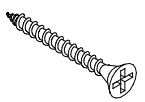
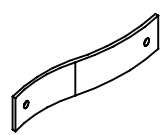

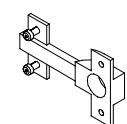

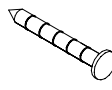
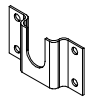
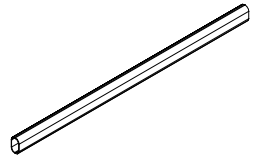
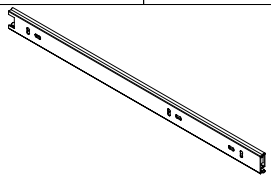
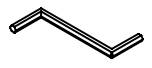


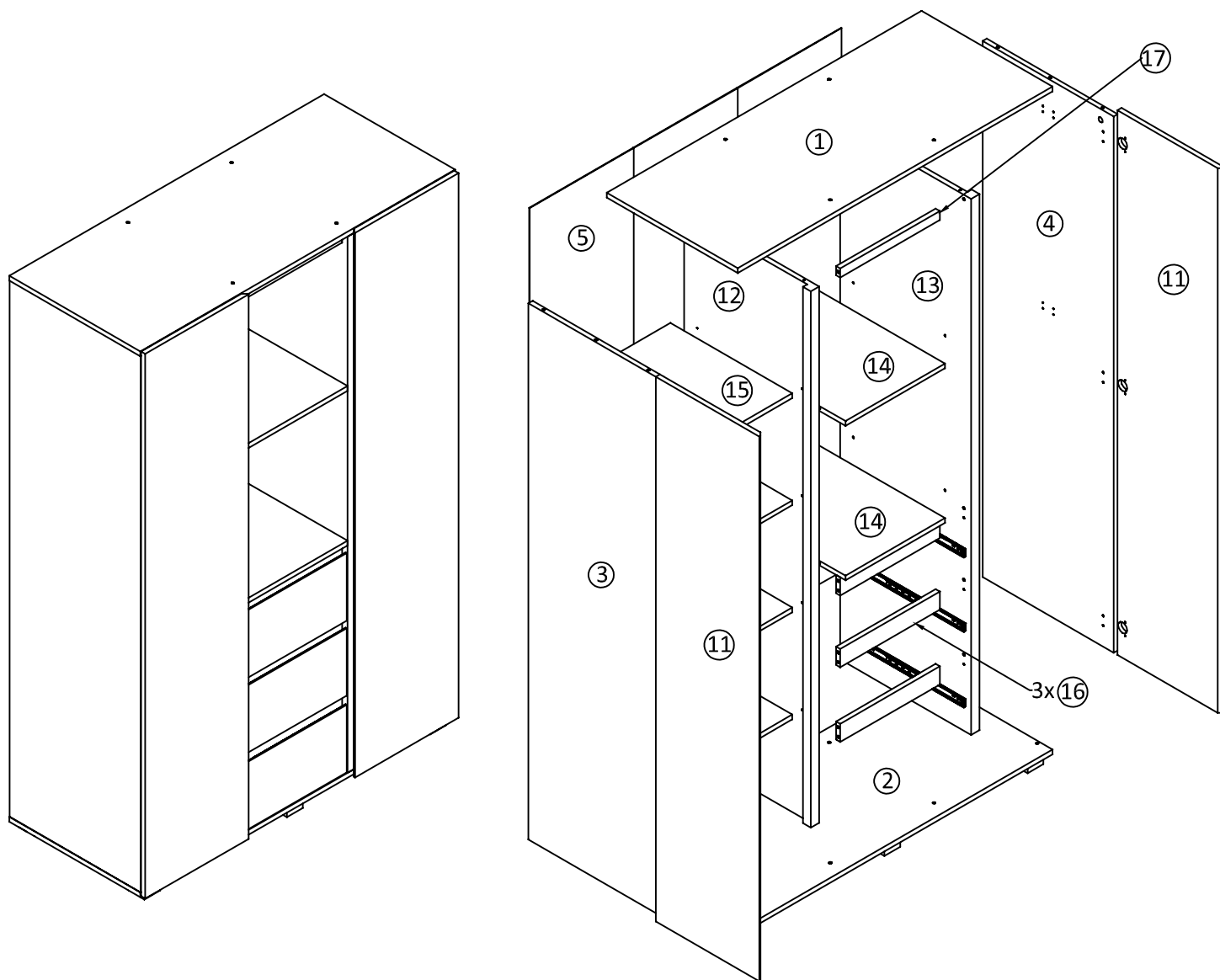
XV



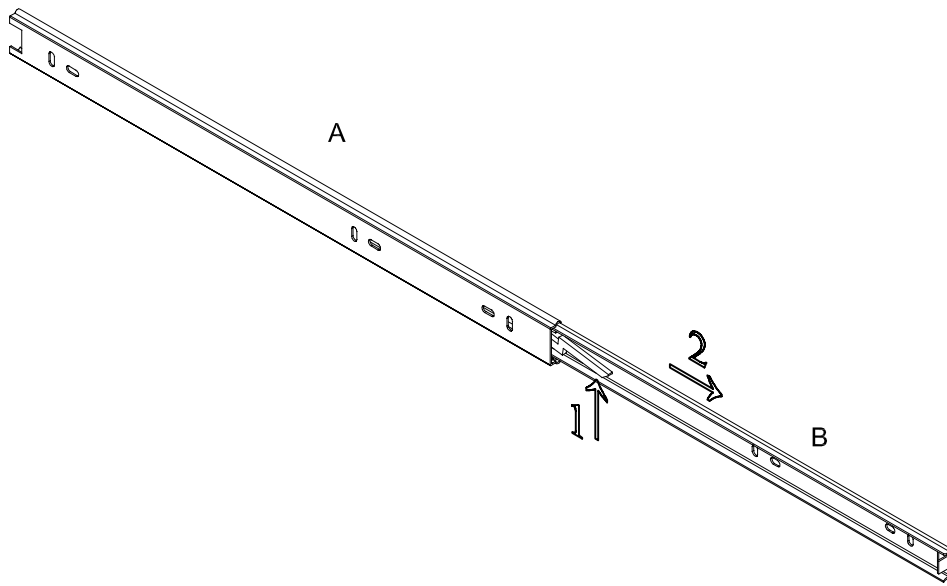




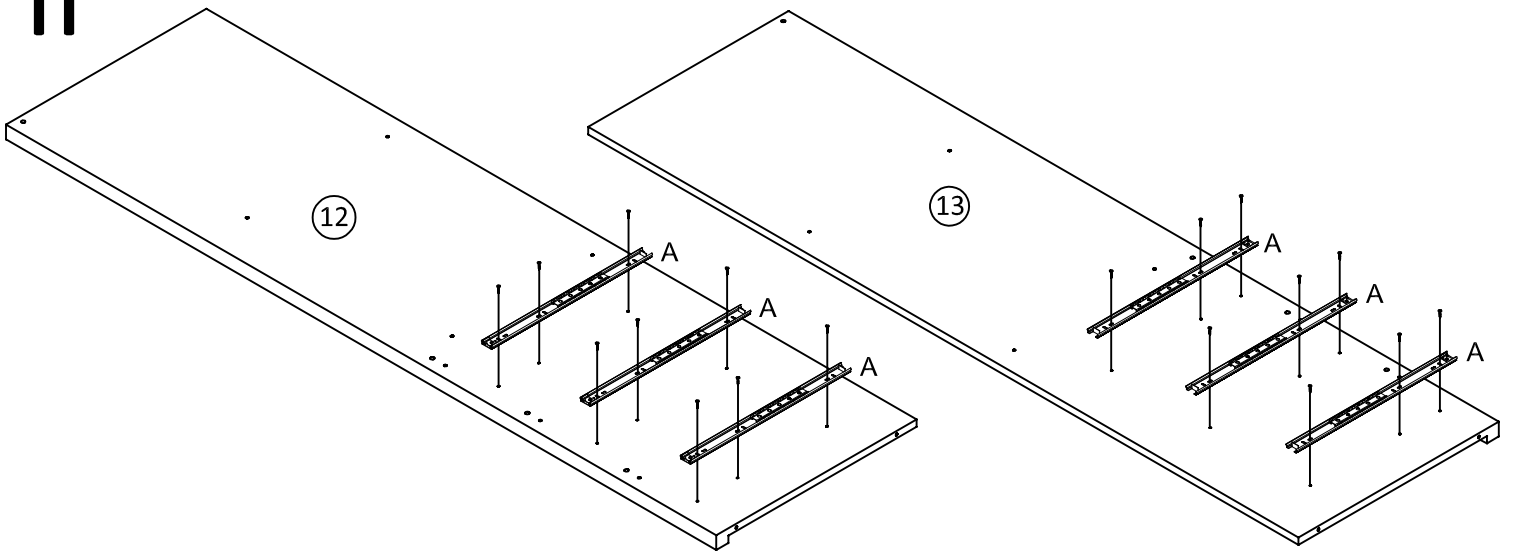
 MT x30	 M x30	 WK5 x24	 D8 x10	 W3516 x13	 W3513 x52	 A04 x16
 A02 x60	 S2 x6	 W3530 x12	 A06 x1	 A05 x1	 ZP x6	 A09 x14
 A09/1 x14	 D0 x4	 D1 x2	 PK x6	 A01 x1		



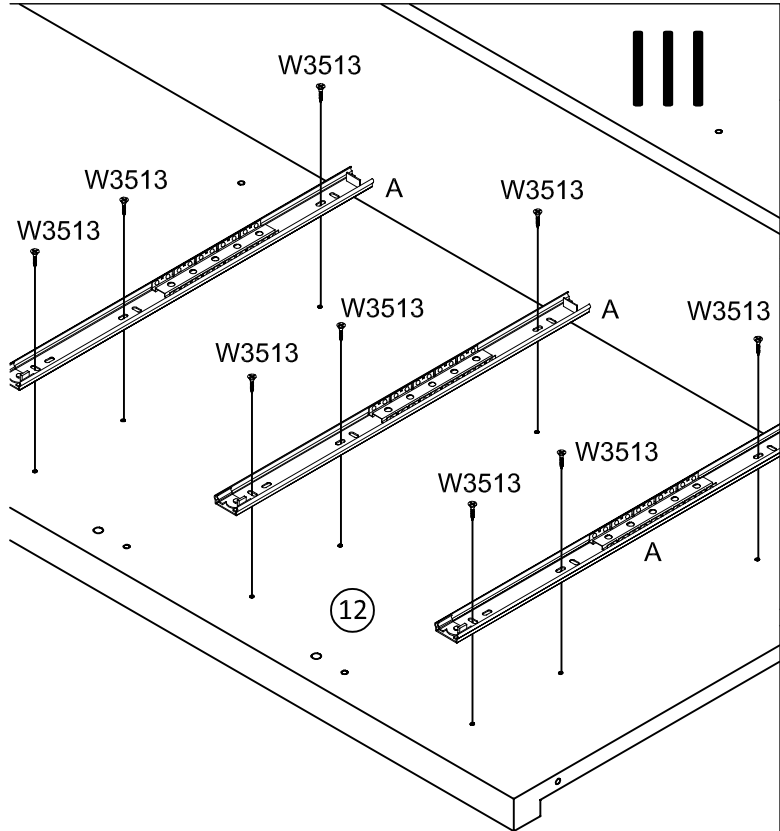
I



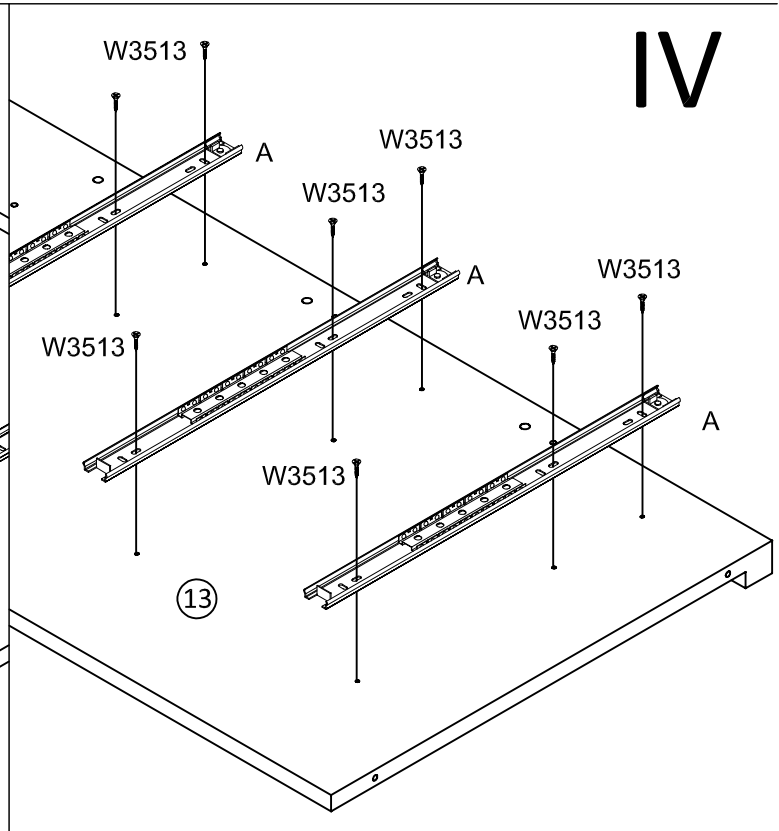
II

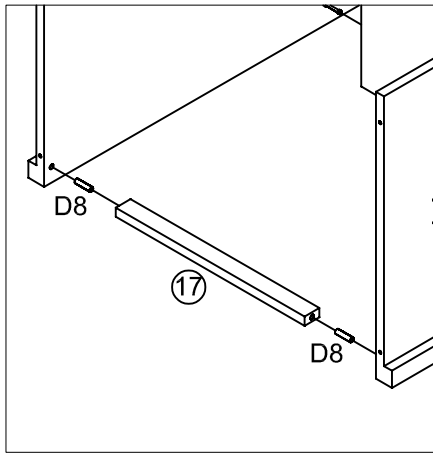


III

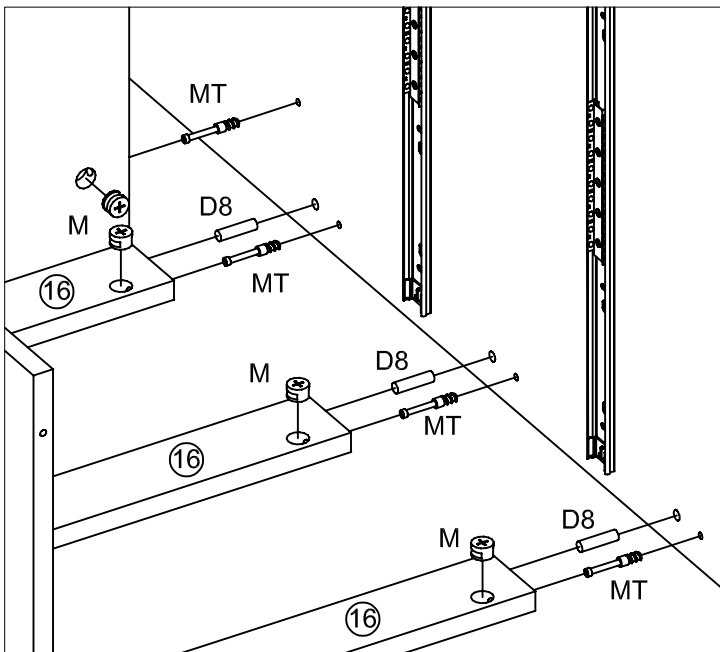
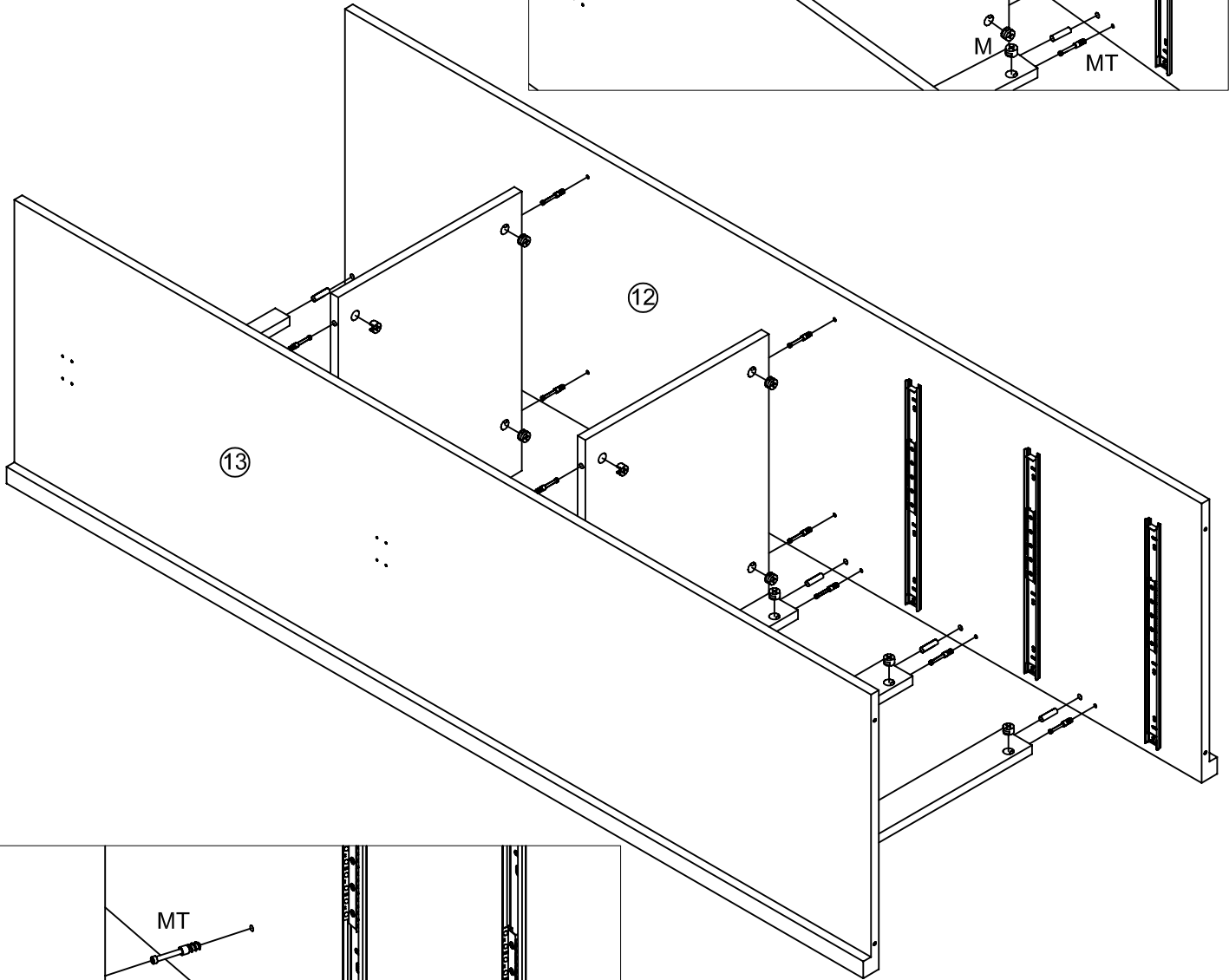
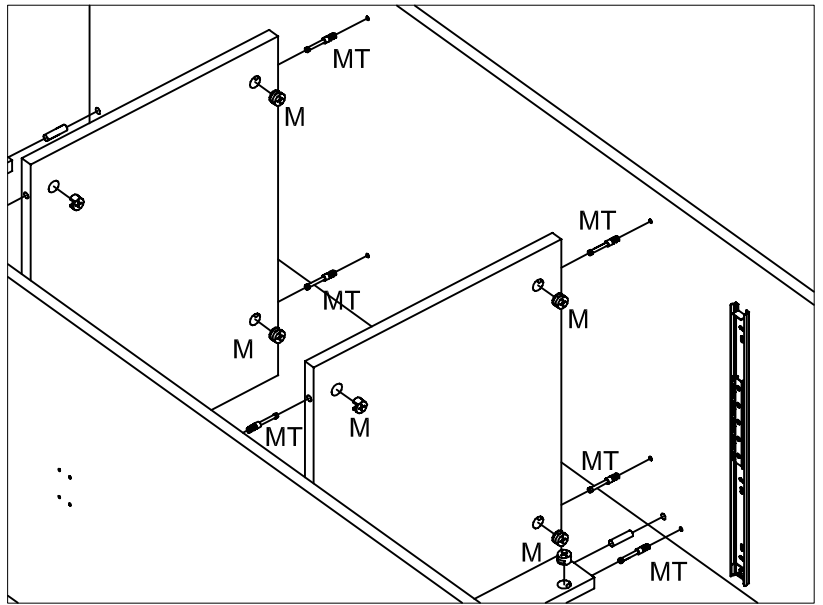


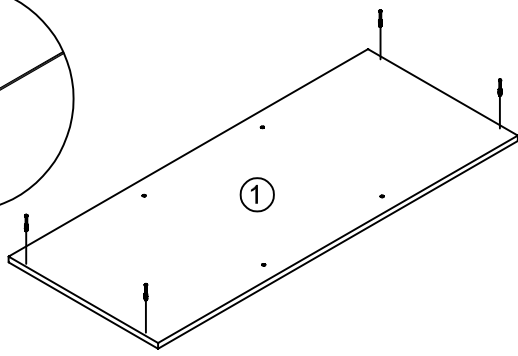
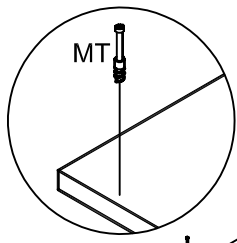
IV



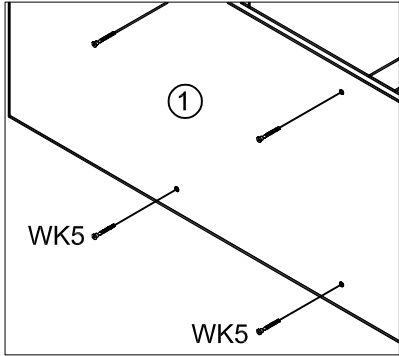
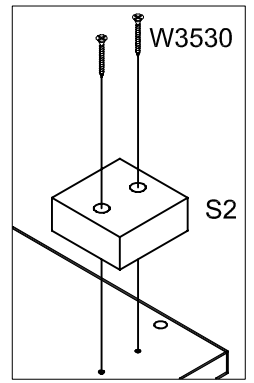
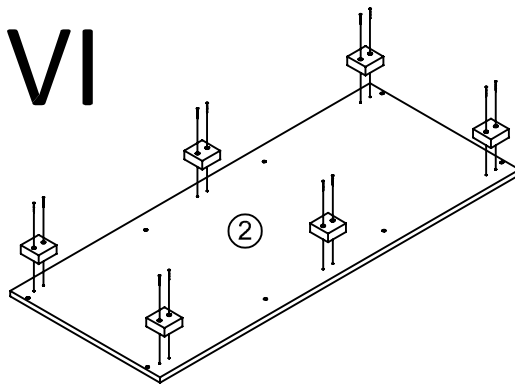


V

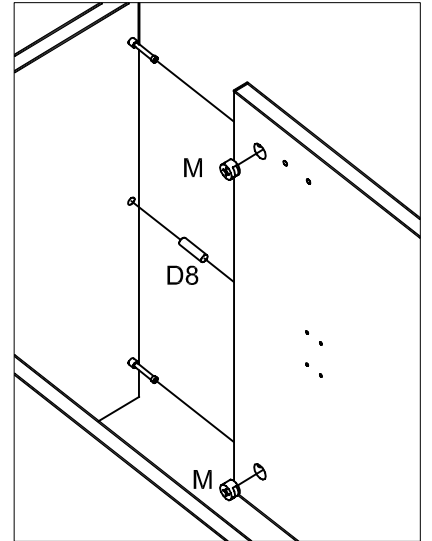
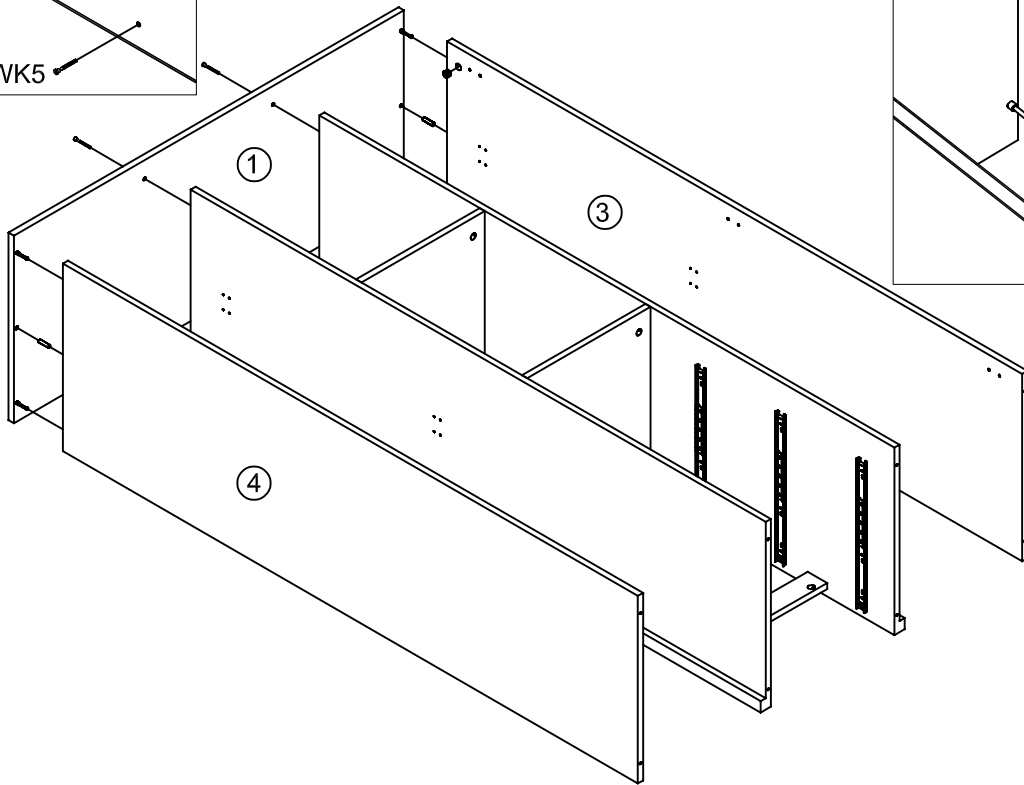




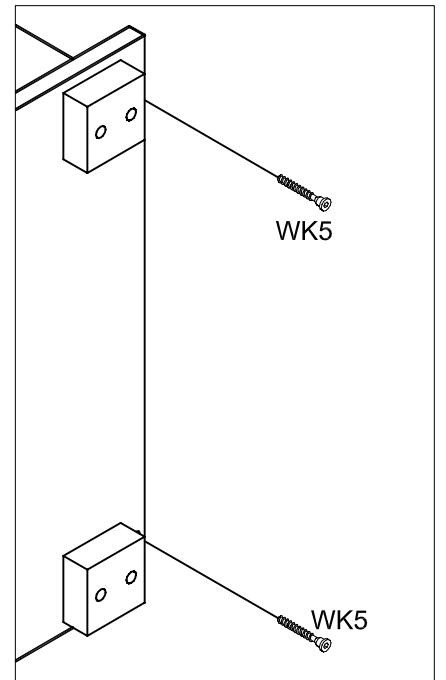
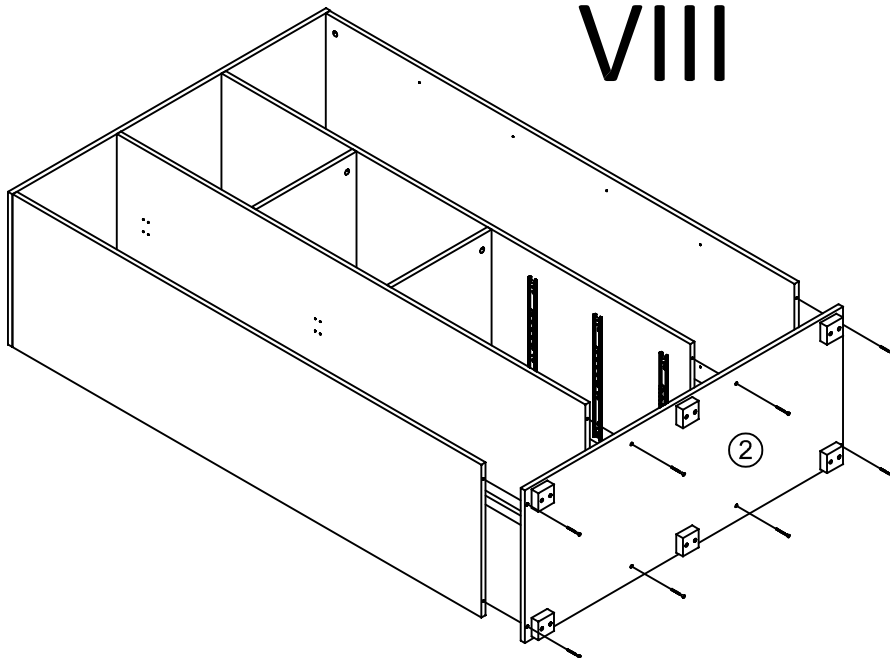
VI



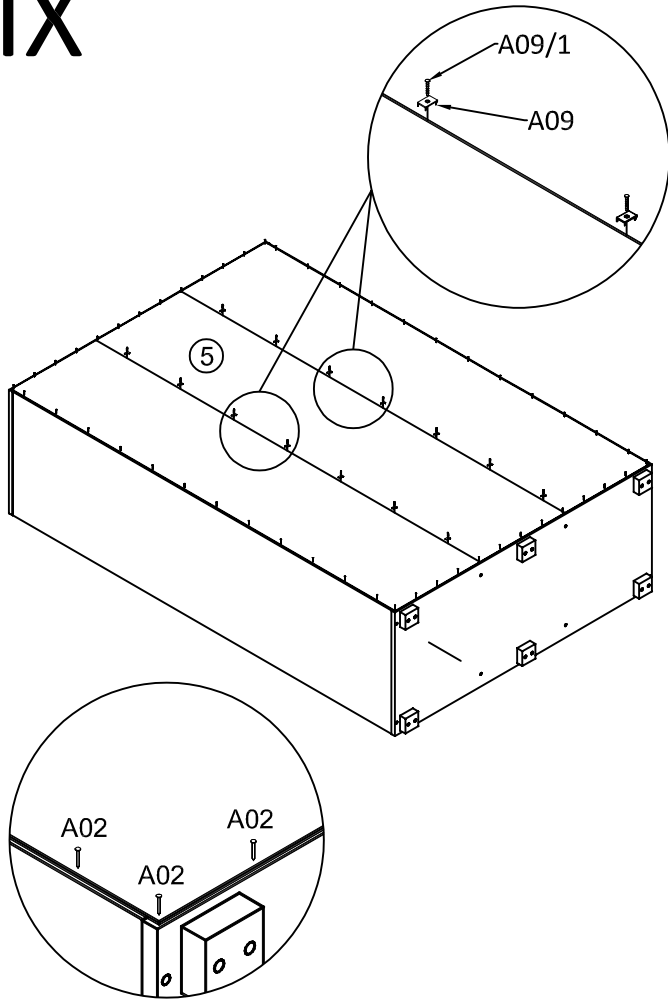
VII



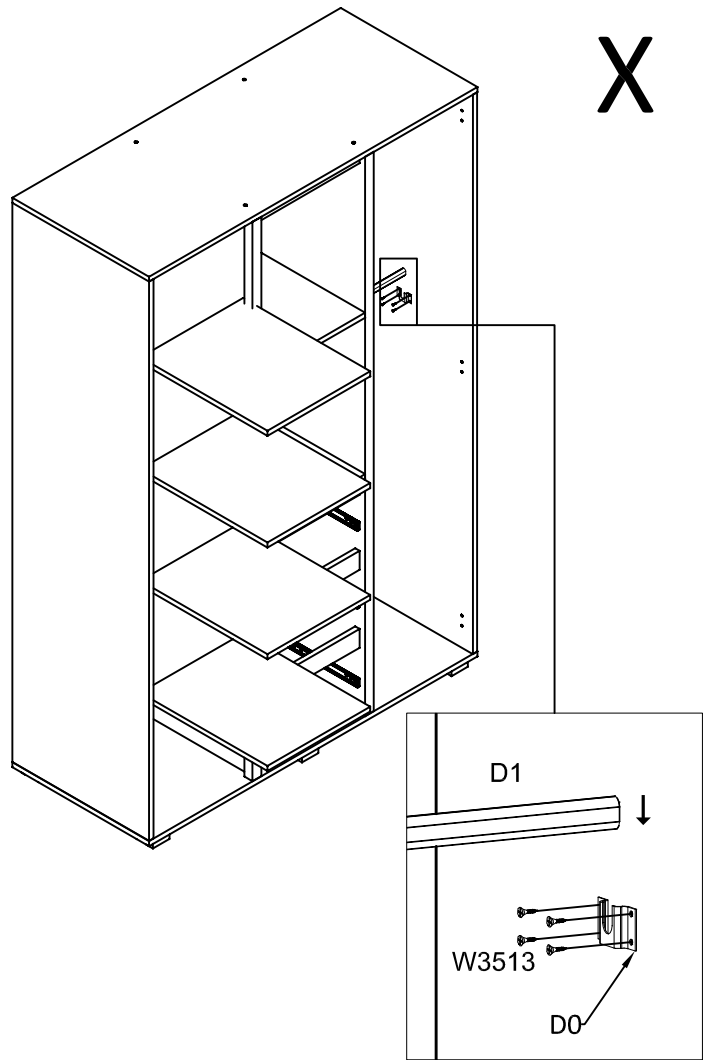
VIII



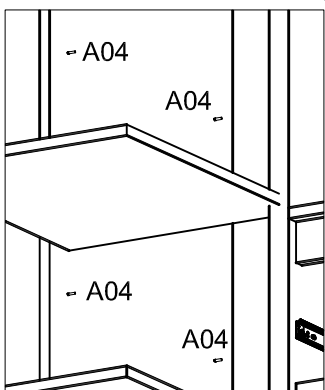
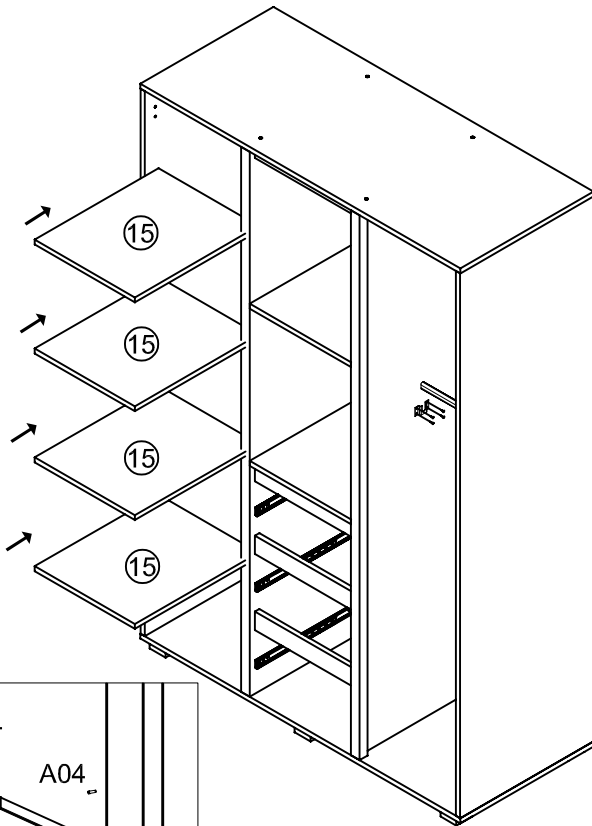
IX



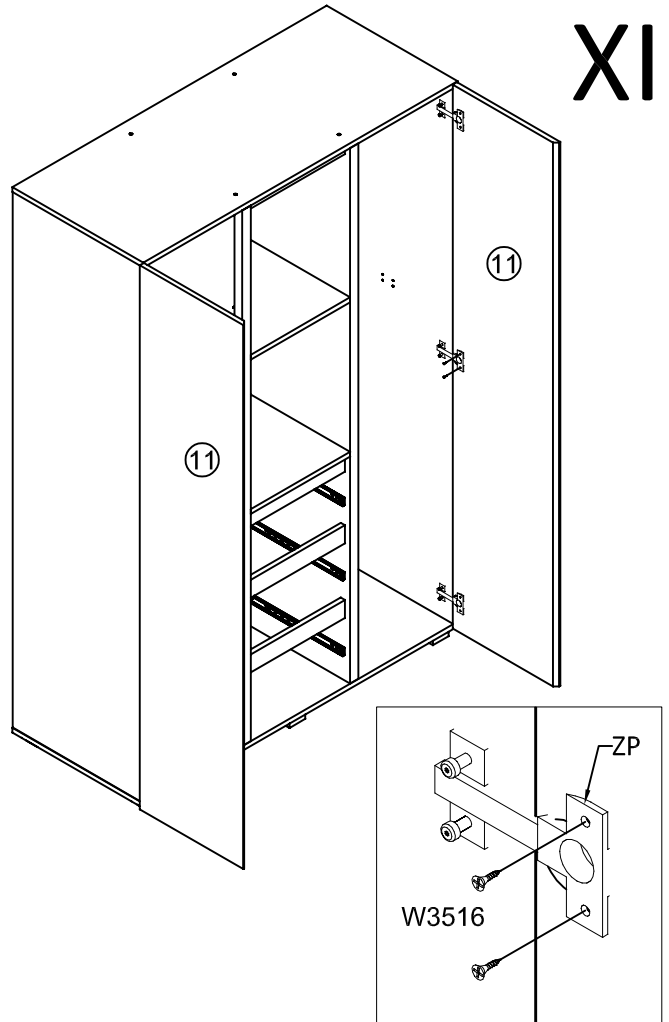
X



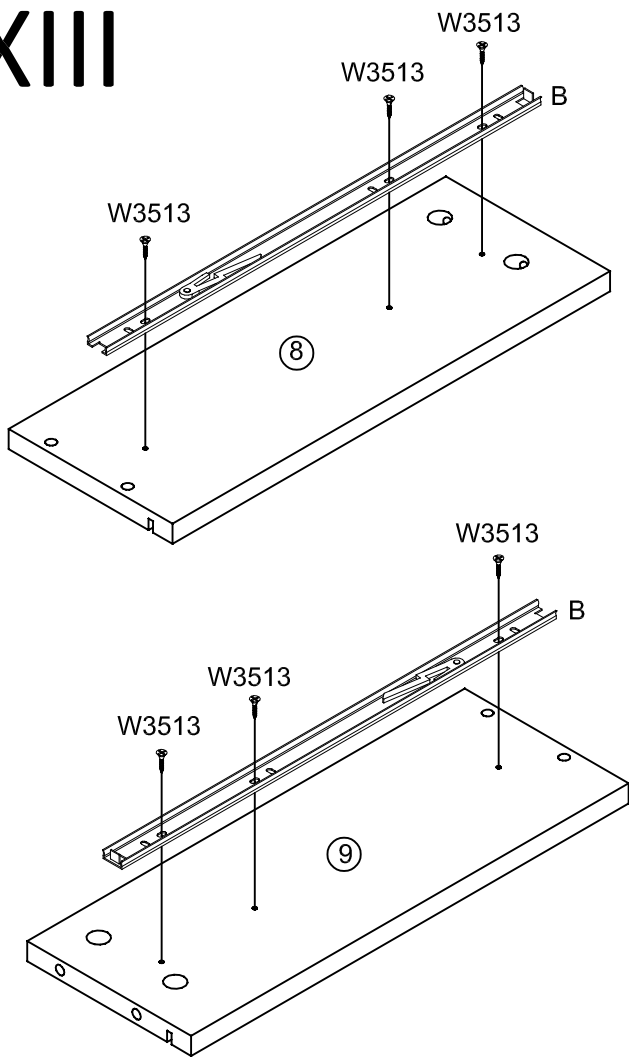
XI



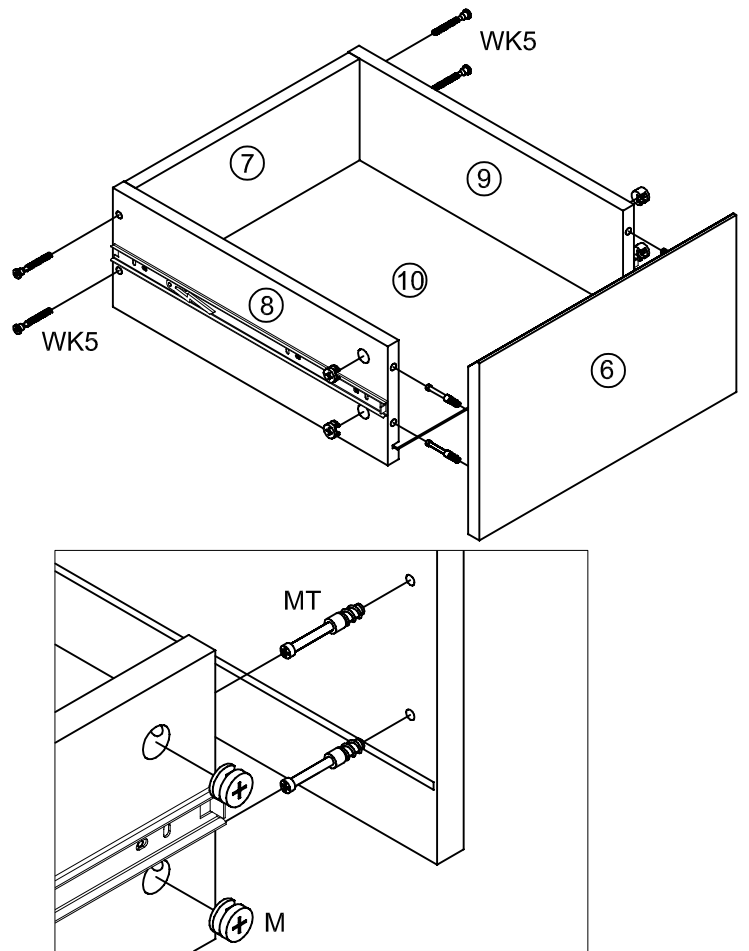
XII



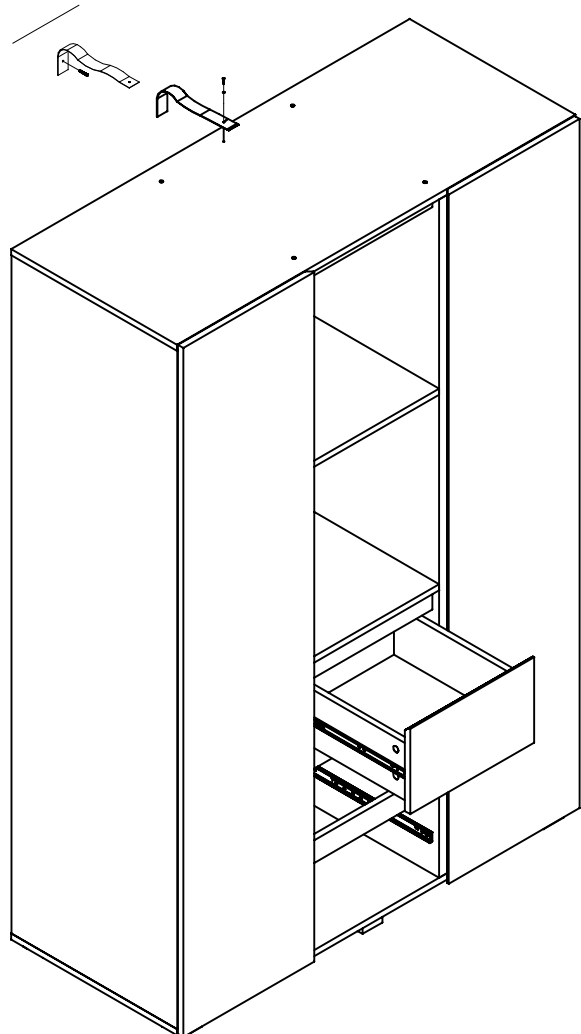
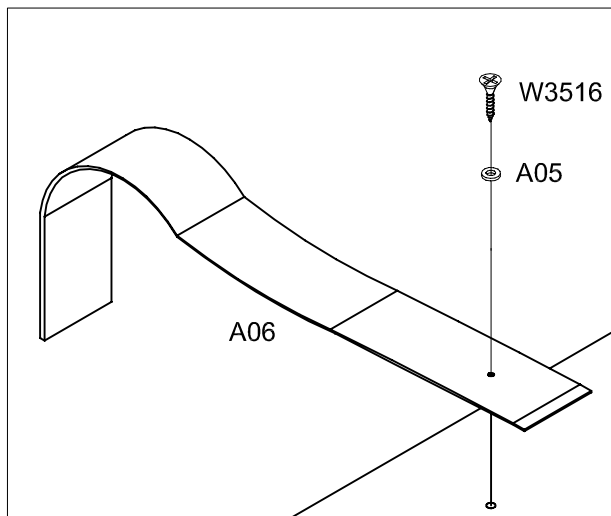
XIII

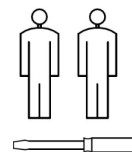


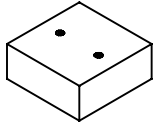
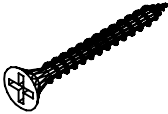
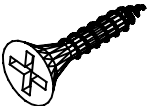



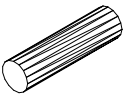
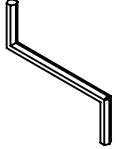
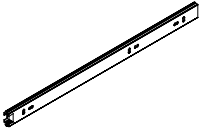
XIV

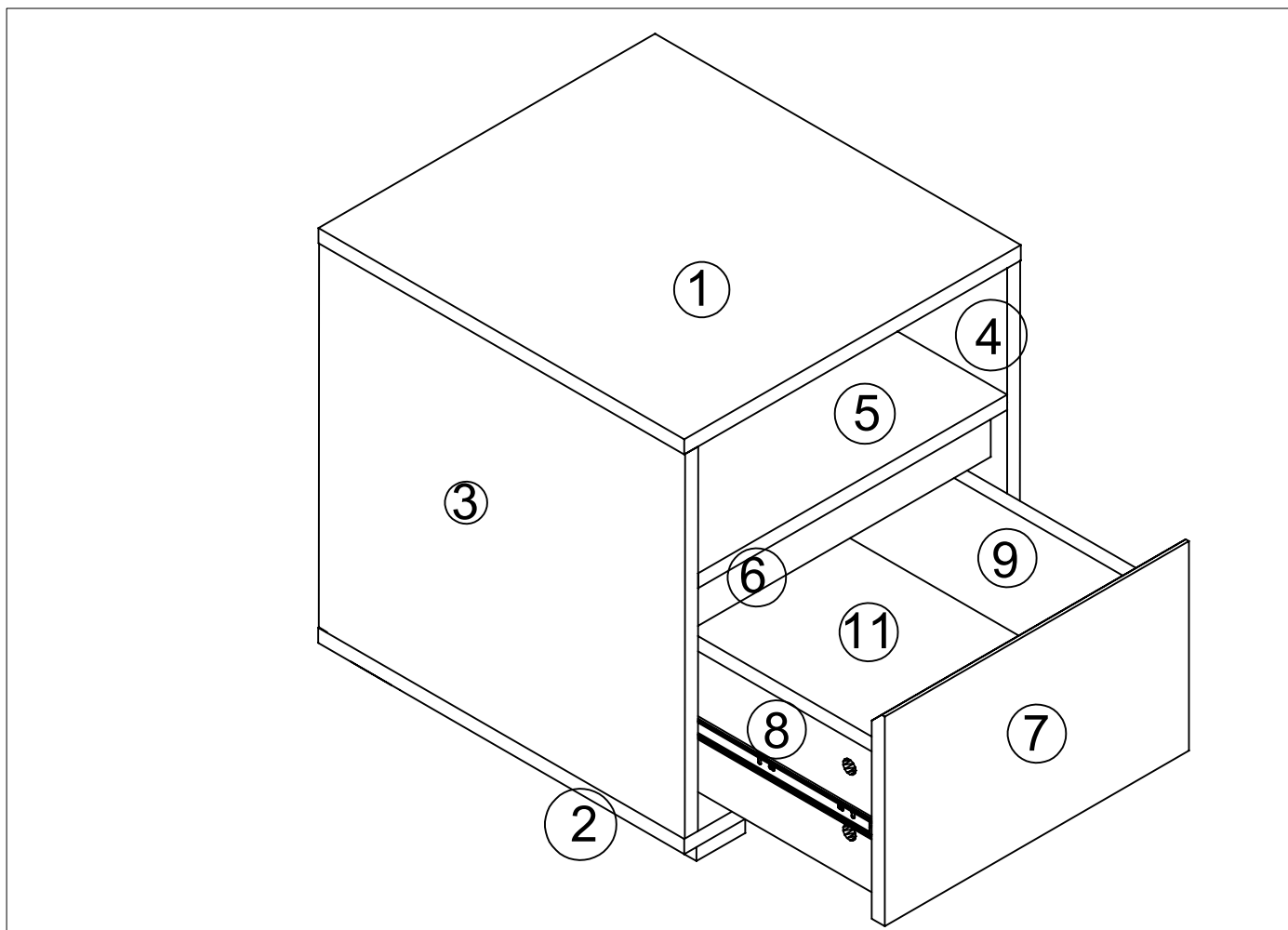


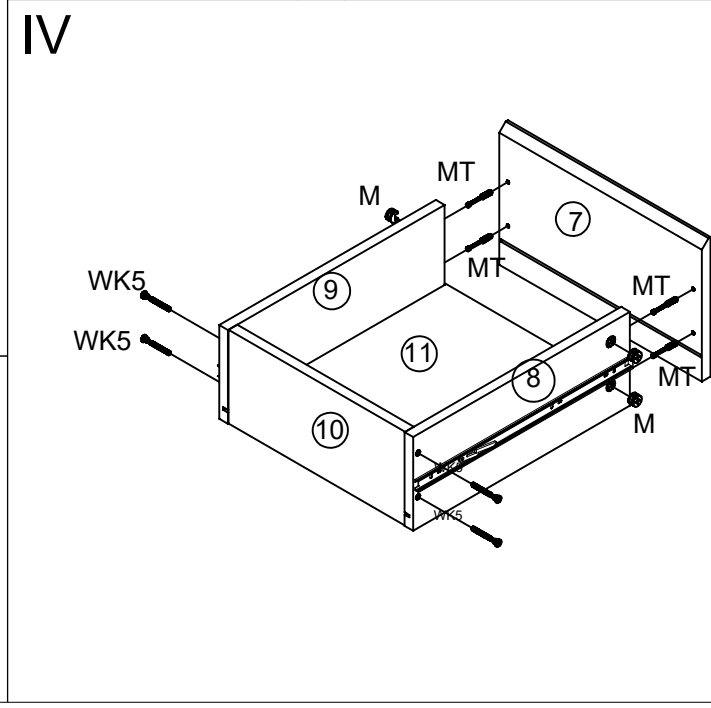
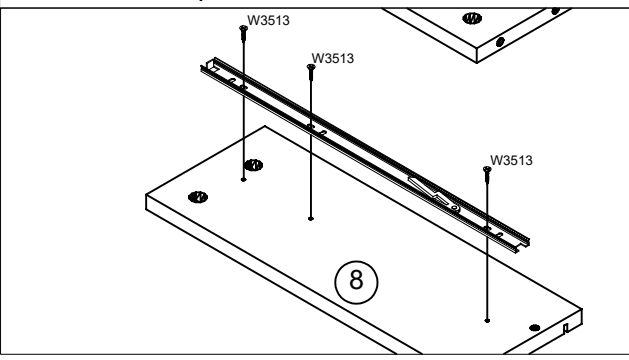
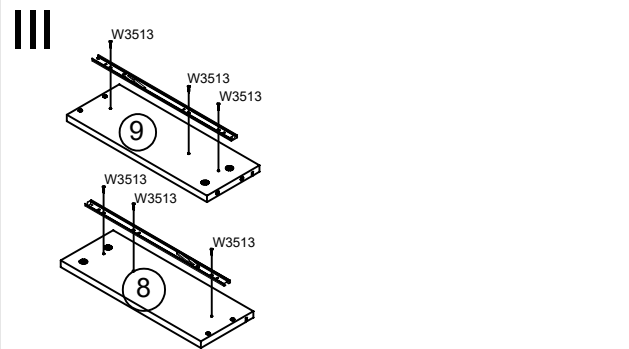
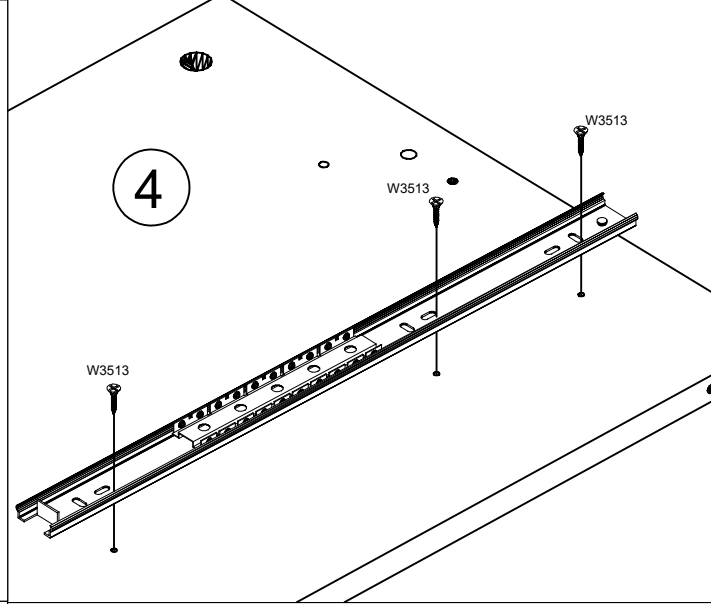
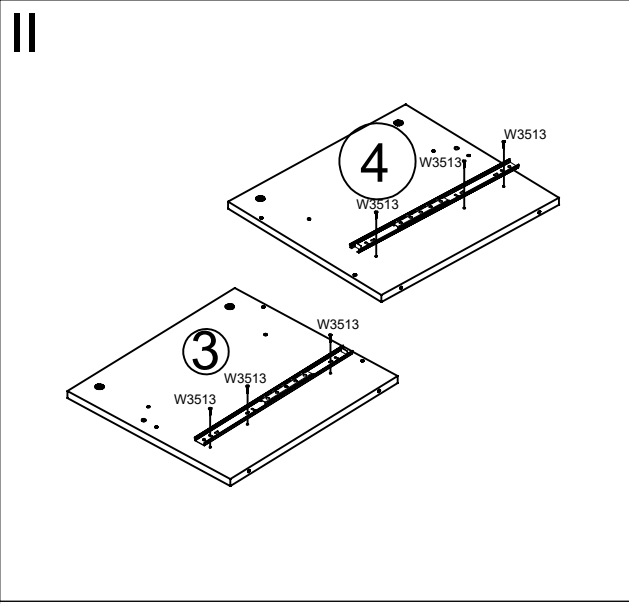
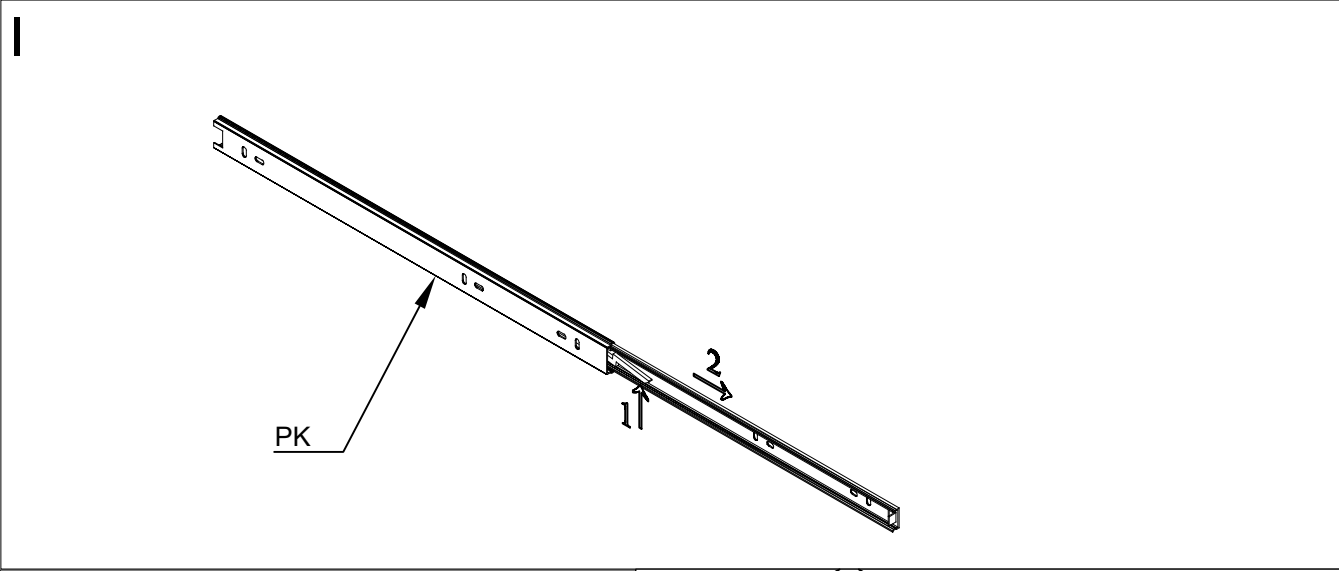
XV

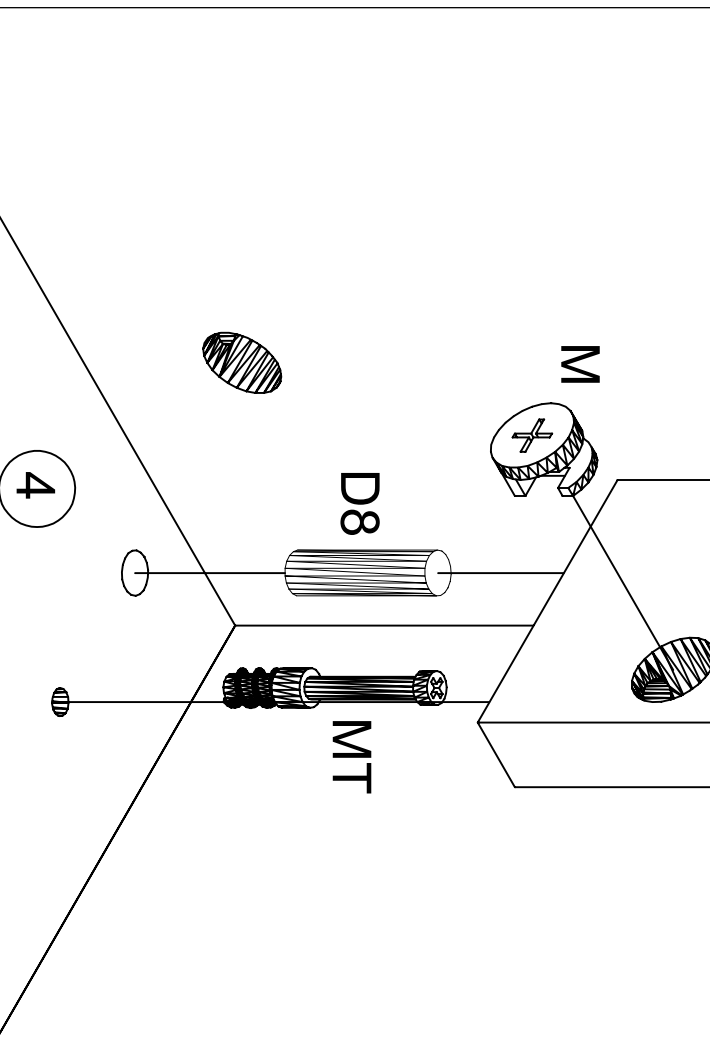
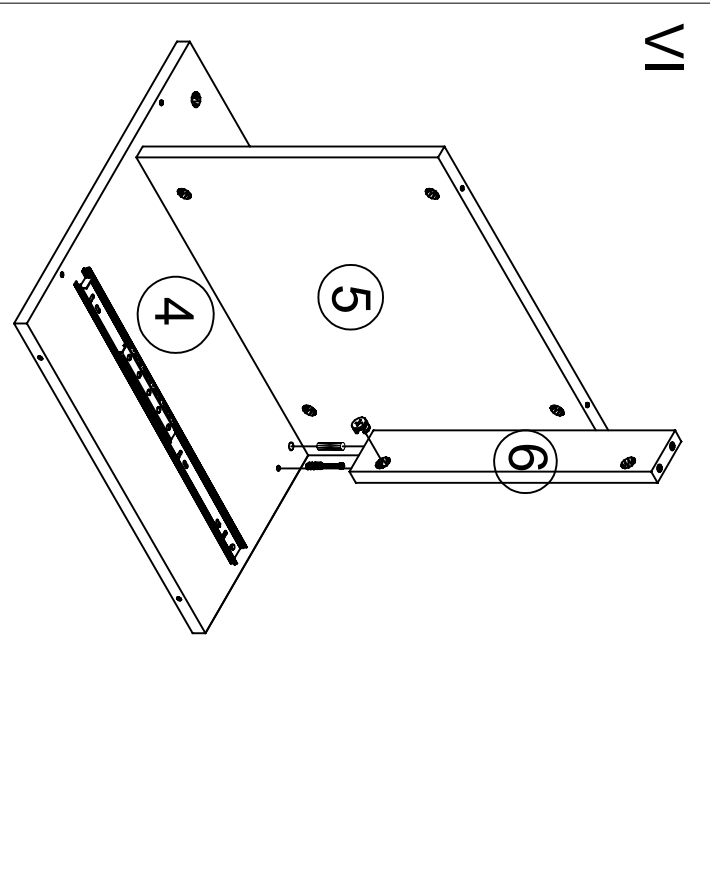
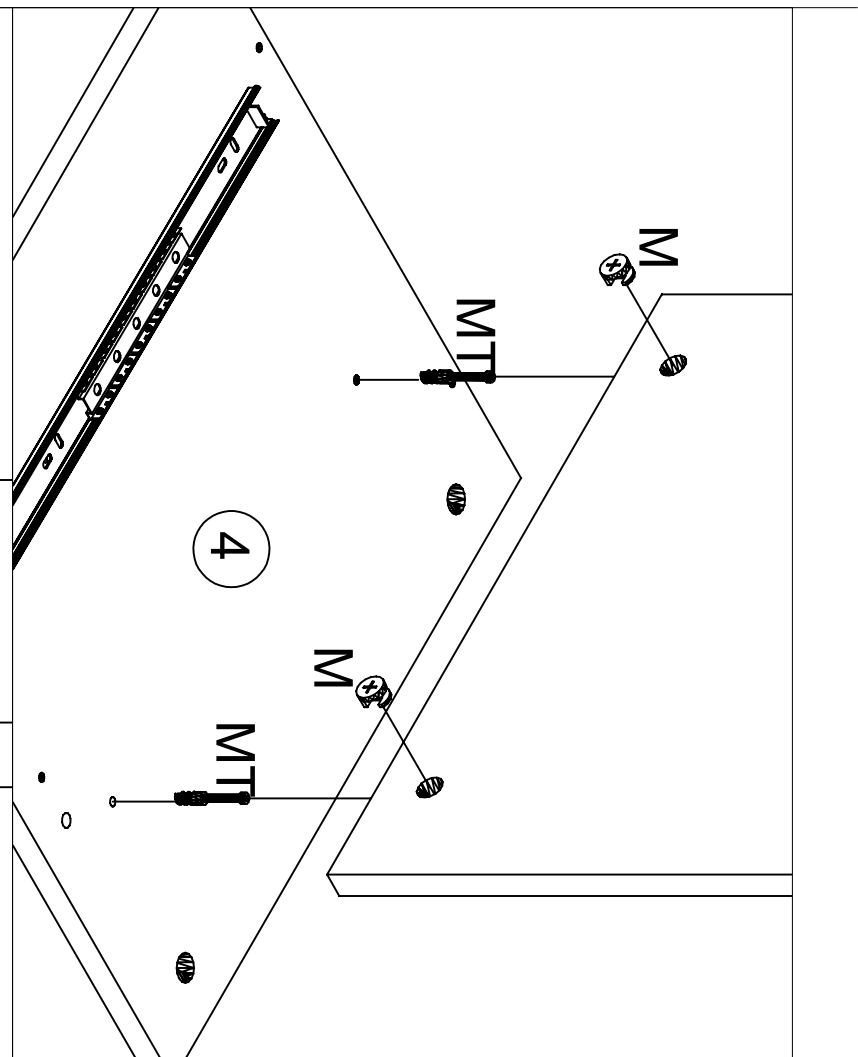
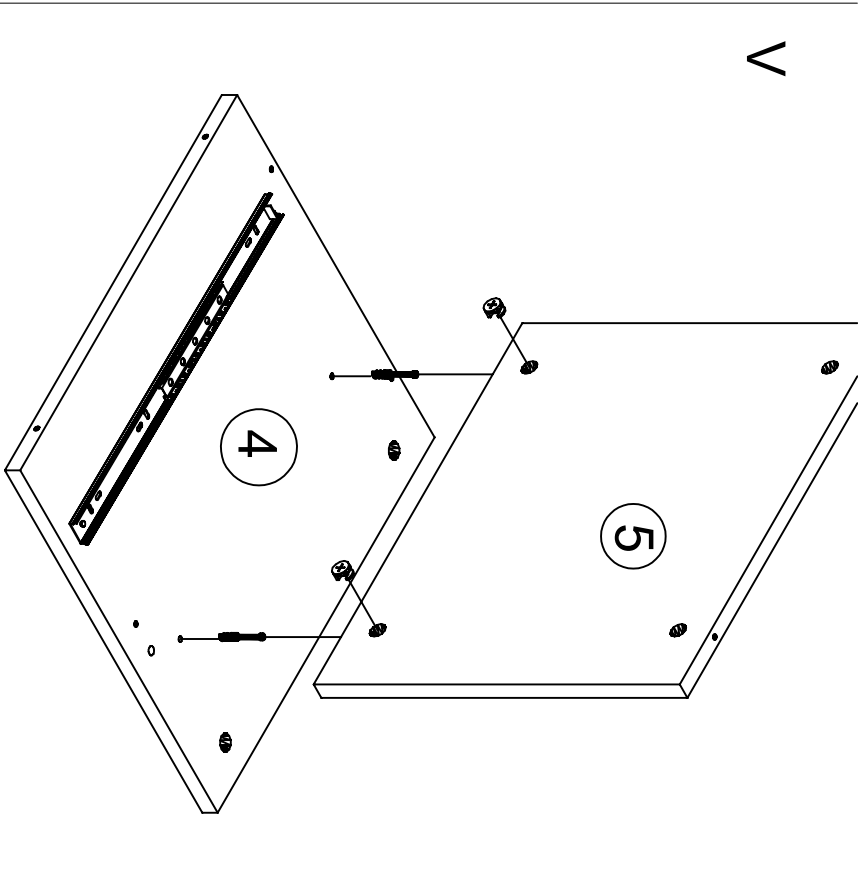


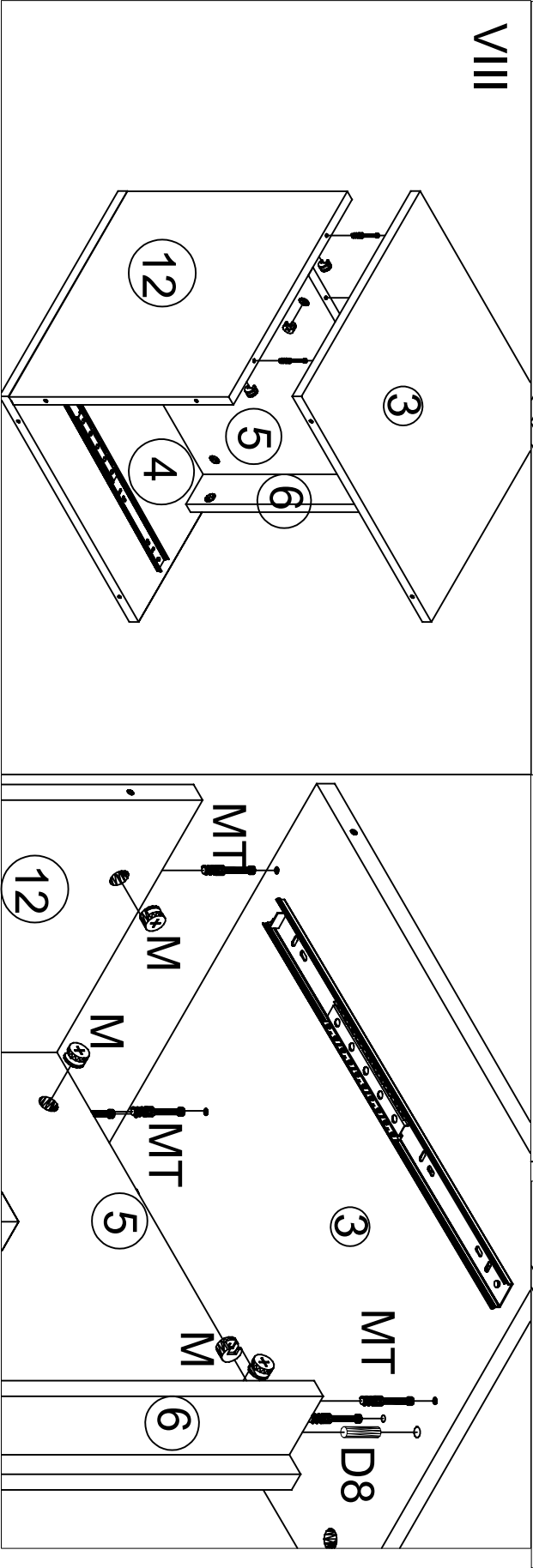
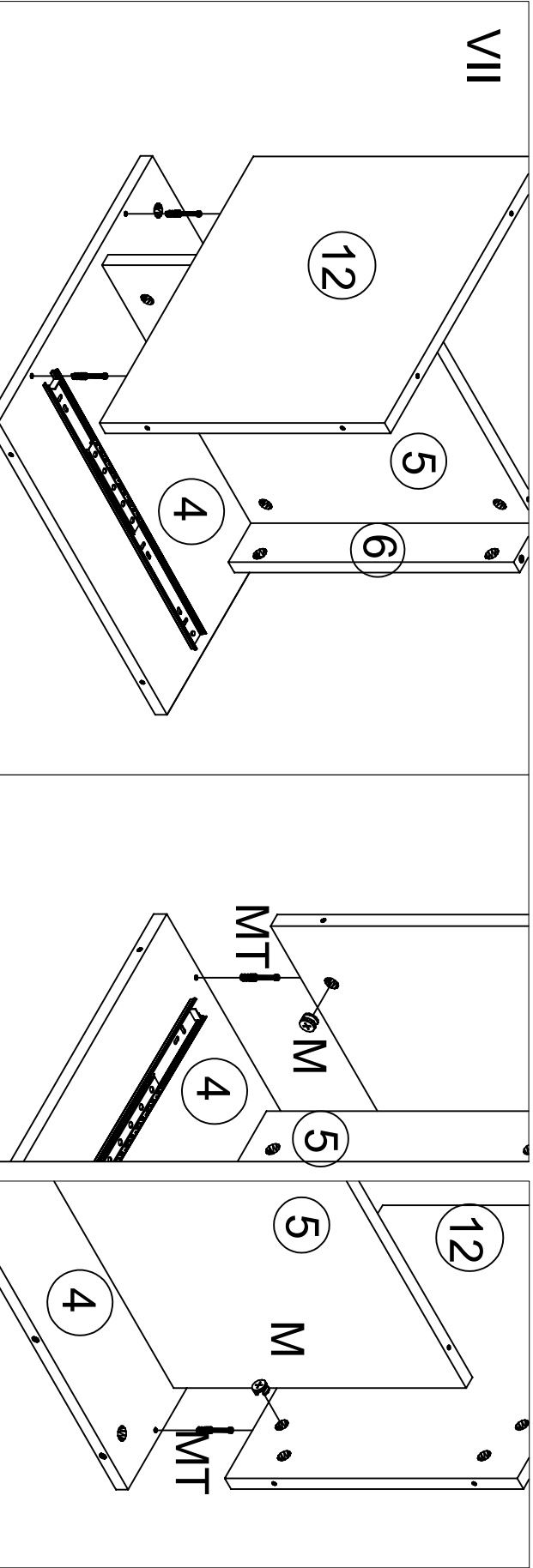


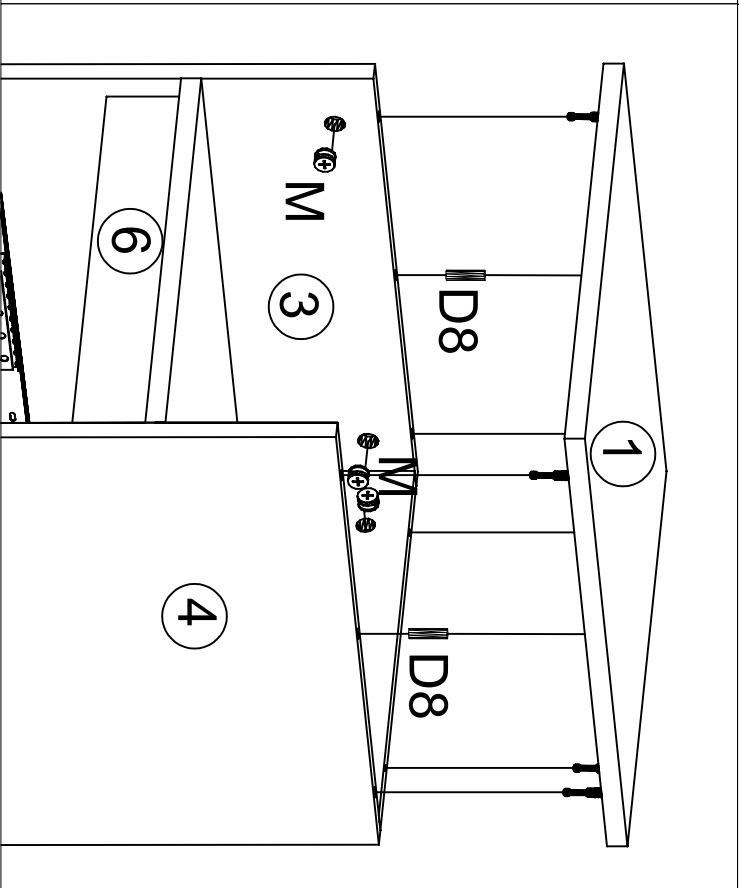
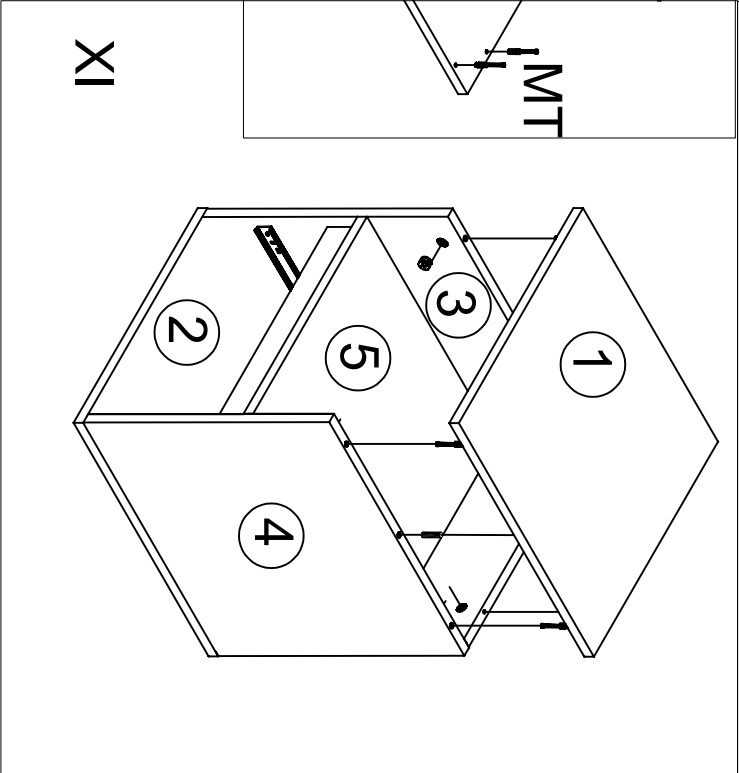
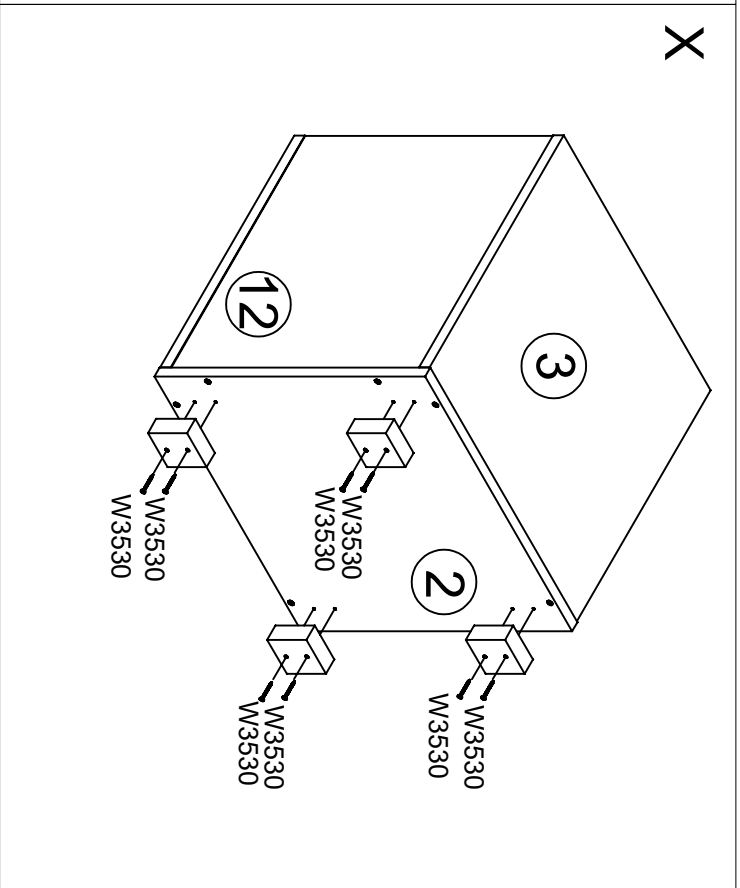
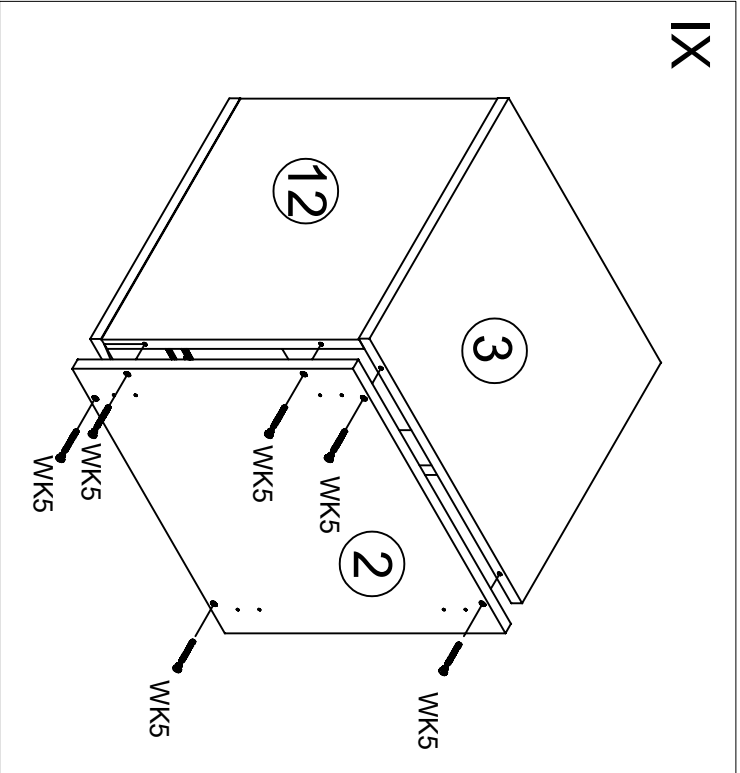
									
S2	x4	W3530	x8	W3513	x12	WK5	x10	MT	x20
									
M	x20	D8	x4	A01	x1	PK	x1		



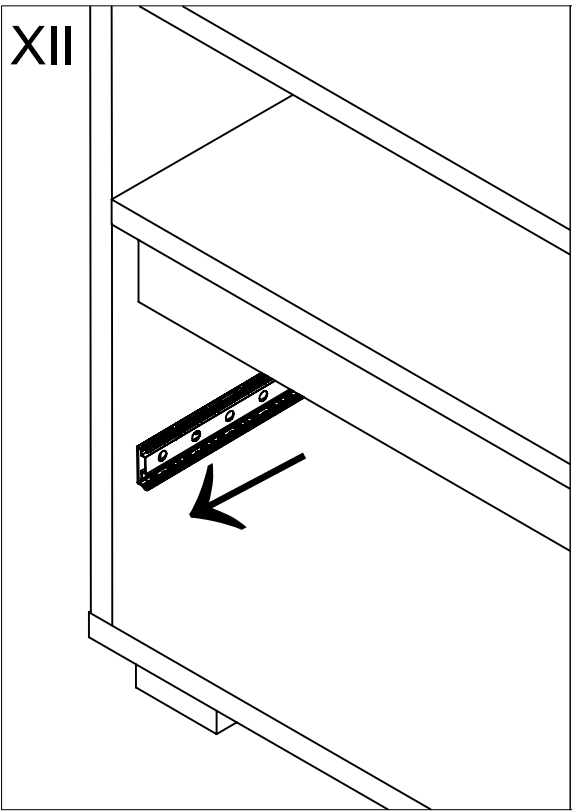








XII



XIII

