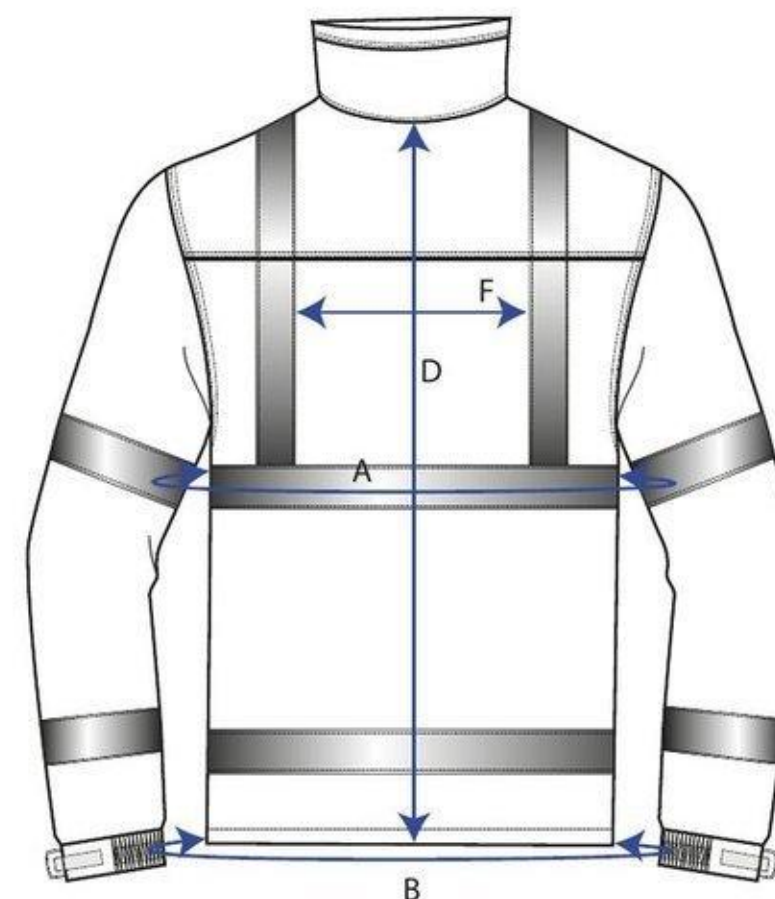
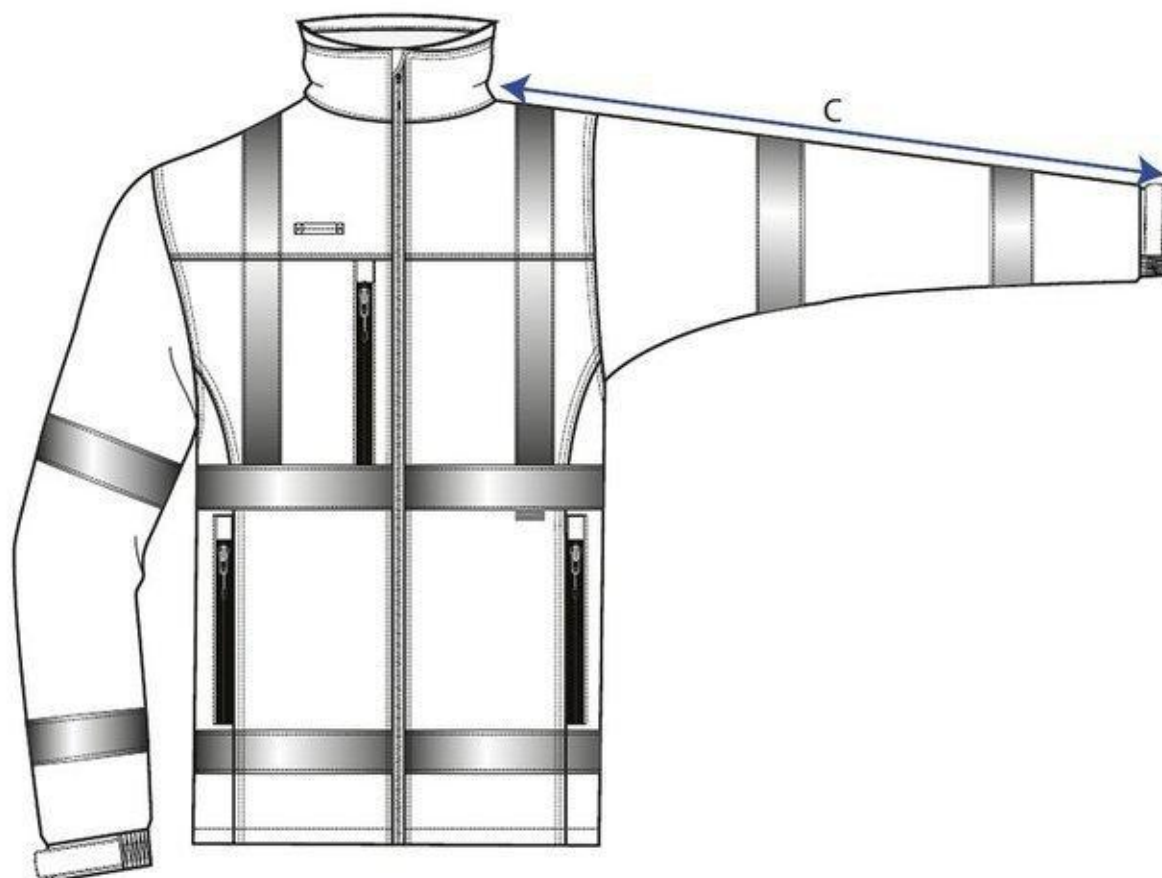


STYLE NO: S424

DESCRIPTION: Hi-Vis Classic Softshell Jacket

FABRIC: 94% Polyester, 6% Elastane TPU breathable film with 100% Polyester micro polar fleece bonded fabric

COLOUR: Yellow / Orange



		Measurements in cm:							
	Area:	S	M	L	XL	XXL	3XL	4XL	5XL
		92-96	100-104	108-112	116-124	128-132	136-144	148-152	152-160
A.	Chest	114	122	130	138	146	154	162	170
B.	Hem	110	118	126	134	142	150	158	166
C.	Collar to cuff length	81	82	83	84	85	86	87	87
D.	Centre Back Length	71	71	73	73	73	75	75	75
E.	Armhole	26	27	28	29	30	31	32	33
F.	Distance between Vertical Bands of Reflective Tape	23	25.5	28	31	32.5	34	35	35