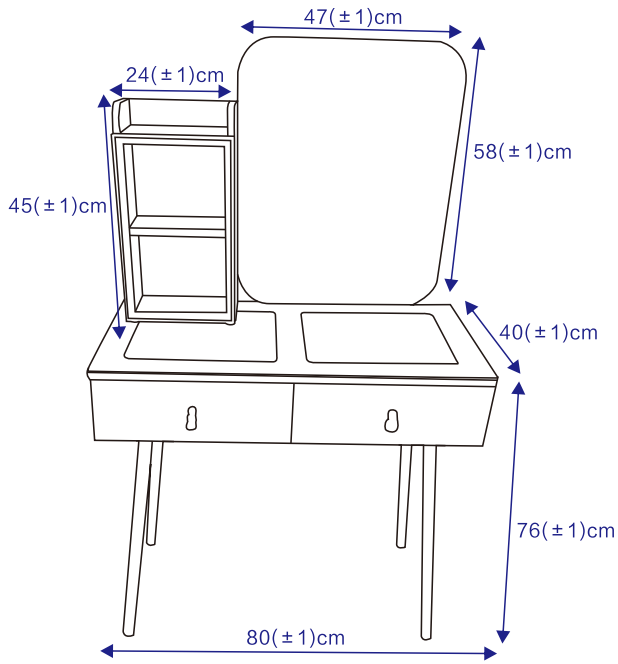
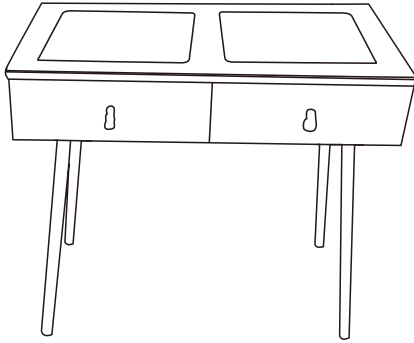


2501# dressing table installation diagram (1)

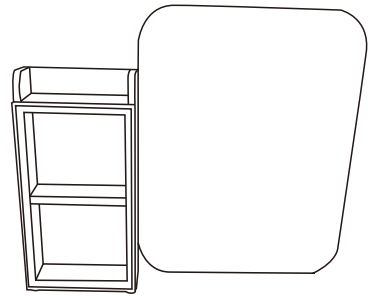


Finished product diagram

1 Install the main cabinet



2 Install the mirror



Step 1: Install the main cabinet



Install the legs



Tightening screws



Install side panels



Install side panels



Assembly drawer



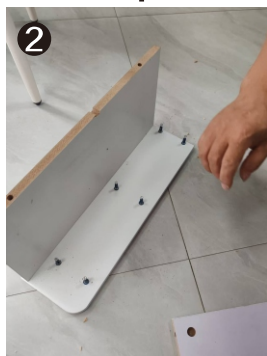
Installation panel

2501# dressing table installation diagram (2)

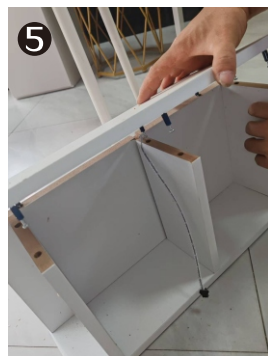
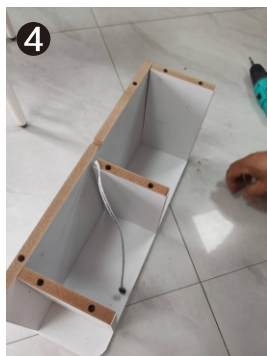
Step 2: Install the rack and mirror



1 Installation rack



3 Install partition



5 Install side panels



6 Install the door panel



7 Install the mirror



8 Fixed storage rack



9 Fixed mirror



10 Installation completed

2501# Accessories:



1#, Three-in-one 1-bar screw: 41 pieces



2#, Three-in-one buckle: 41



3#, 2501K-16 gold handles :2 pieces



4#, 4*18 Wire Wire: 4



5#, 3*30 tail ticks: 8



6#, 6*25 big flats: 4



7#, 6*20 big bells: 16



8#, 6cm nuts: 16



9#, 4*25 fiber nails: 10 pieces



10#, 3.5*14 self-tapping screws: 30



11#, Four hole flat code: 1



12#, Six double-sided stickers