

VEVOR[®]

TOUGH TOOLS, HALF PRICE

Technical Support and E-Warranty Certificate www.vevor.com/support

LAB CARTS

USER MANUAL

MODEL NO.: FY-1T1C

We continue to be committed to provide you tools with competitive price.

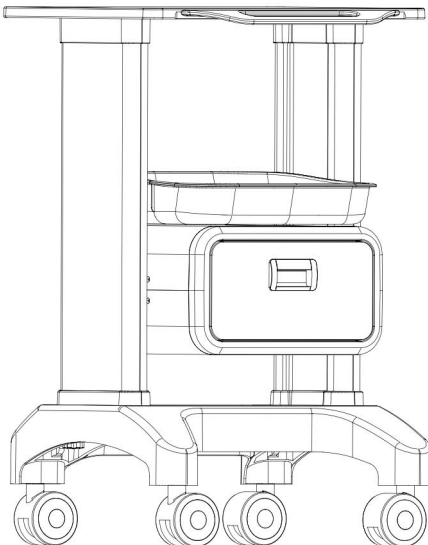
"Save Half", "Half Price" or any other similar expressions used by us only represents an estimate of savings you might benefit from buying certain tools with us compared to the major top brands and does not necessarily mean to cover all categories of tools offered by us. You are kindly reminded to verify carefully when you are placing an order with us if you are actually saving half in comparison with the top major brands.

VEVOR®

TOUGH TOOLS, HALF PRICE

Lab Carts

MODEL NO.: FY-1T1C



NEED HELP? CONTACT US!

Have product questions? Need technical support? Please feel free to contact us:

Technical Support and E-Warranty Certificate
www.vevor.com/support

This is the original instruction, please read all manual instructions carefully before operating. VEVOR reserves a clear interpretation of our user manual. The appearance of the product shall be subject to the product you received. Please forgive us that we won't inform you again if there are any technology or software updates on our product.

 **WARNING:**

Please read this manual carefully before using the product. Failure to do so may result in serious injury.

ASSEMBLY PRECAUTIONS

1. Assemble only according to these instructions. Improper assembly can create hazards.
2. Wear ANSI-approved safety goggles and heavy-duty work gloves during assembly.
3. Keep the assembly area clean and well-lit.
4. Keep bystanders out of the area during assembly.
5. Do not assemble when tired or when under the influence of alcohol, drugs or medication.
6. The product capabilities apply to properly and completely assembled products only.
7. Assemble on a flat, level, hard and smooth surface capable of safely supporting the Lab Carts.
8. For additional information regarding the parts listed in the following pages, please refer to the Assembly Diagram of this manual. Unwrap and separate all parts in a clean work area.

SAVE THESE INSTRUCTIONS

USE PRECAUTIONS

TO PREVENT SERIOUS INJURY AND DEATH FROM TIPPING:



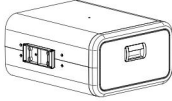
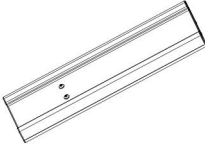
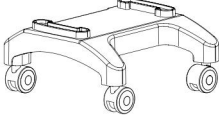

1. This product is not a toy Do not allow children to play with or near this item.
2. Do not exceed weight capacities, before moving.
3. Use only on a flat, level, hard and smooth surface capable of safely supporting a fully loaded Lab Carts.
4. Use as intended only.
Inspect before every use; do not use if parts are loose or damaged.

TECHNICAL SPECIFICATIONS

Model	FY-1T1C
Product Dimensions (LxWxH)(mm)	465*460*745
Packing Size(LxWxH)(mm)	525*455*625
Net Weight(kg)	About 12.7
Gross Weight(kg)	About 15.2

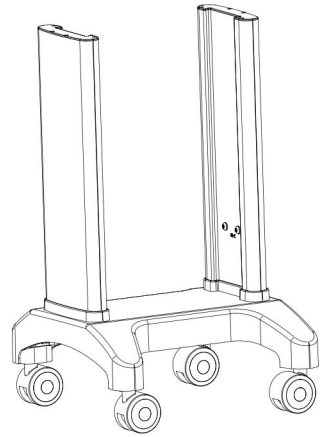
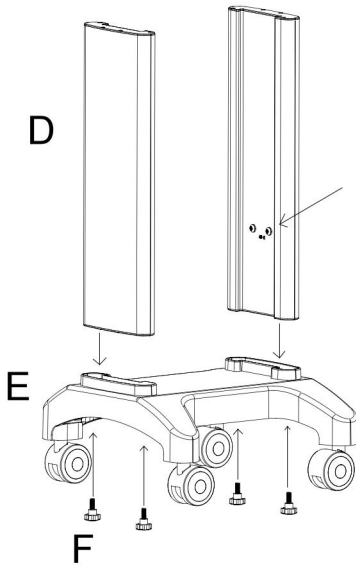
*Products such as specifications, appearance, and design are subject to modification without prior notice.

PACKAGE CONTENTS

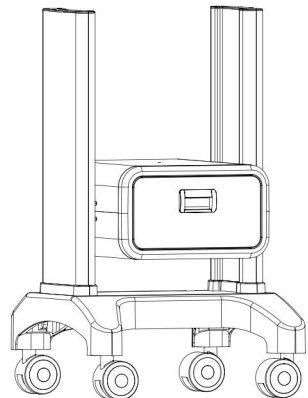
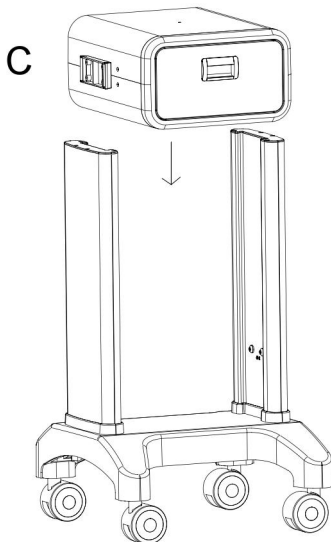
A 	B 	C 
1 PCS	1 PCS	1 PCS
D 	E 	F  M8 X 20
2 PCS	1 PCS	4 PCS

ASSEMBLY STEPS

STEP 1

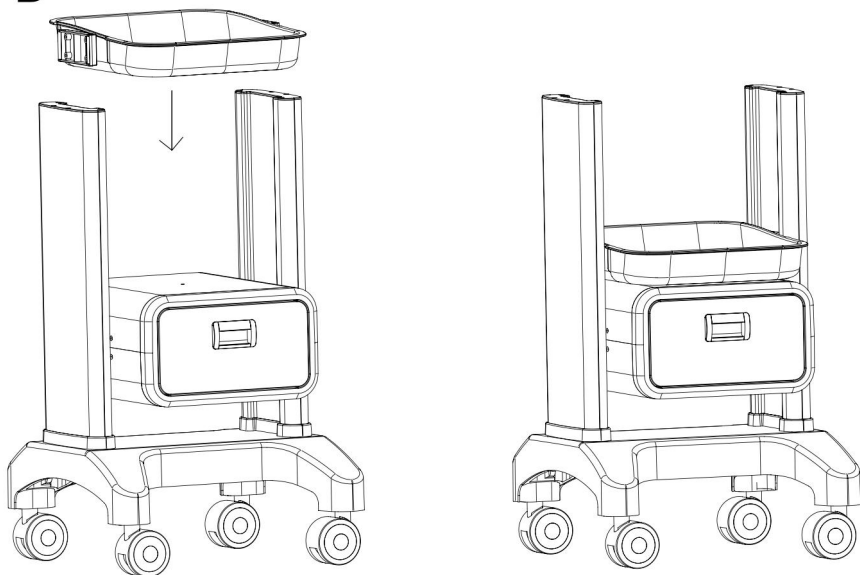


STEP 2



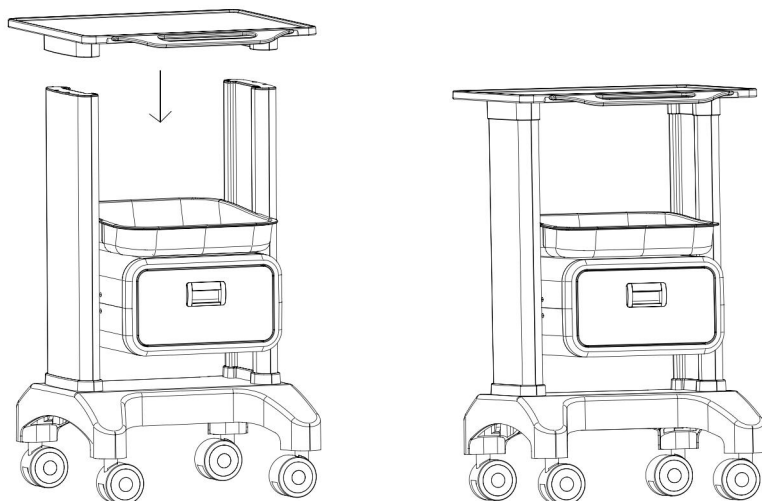
STEP 3

B

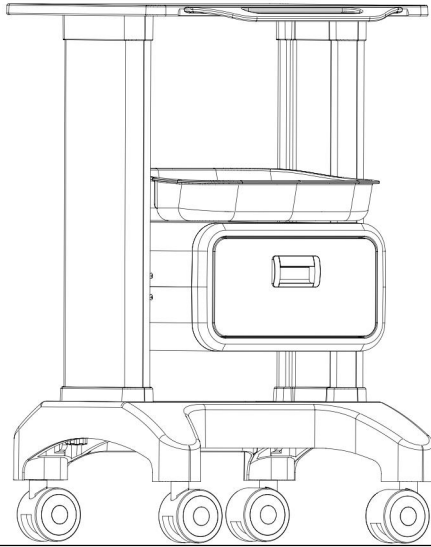


STEP 4

A



COMPLETION



Manufacturer: Shanghaimuxinmuyeyouxiangongsi

Address: Shuangchenglu 803nong11hao1602A-1609shi, baoshanqu, shanghai 200000 CN.

Imported to AUS: SIHAO PTY LTD. 1 ROKEVA STREETEASTWOOD NSW 2122 Australia

Imported to USA: Sanven Technology Ltd. Suite 250, 9166 Anaheim Place, Rancho Cucamonga, CA 91730



E-CrossStu GmbH
Mainzer Landstr.69, 60329 Frankfurt am Main.



YH CONSULTING LIMITED.
C/O YH Consulting Limited Office 147, Centurion House, London Road, Staines-upon-Thames, Surrey, TW18 4AX

VEVOR[®]

TOUGH TOOLS, HALF PRICE

Technical Support and E-Warranty Certificate

www.vevor.com/support

VEVOR[®]

TOUGH TOOLS, HALF PRICE

Techniczny Certyfikat wsparcia i e-gwarancji www.vevor.com/support

WÓZKI LABORATORYJNE

INSTRUKCJA OBSŁUGI

NR MODELU: FY-1T1C

We continue to be committed to provide you tools with competitive price.

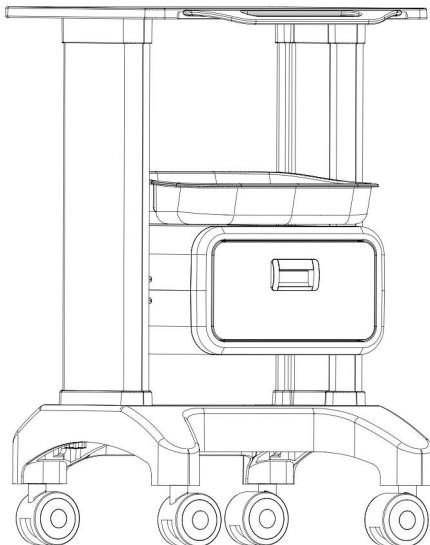
"Save Half", "Half Price" or any other similar expressions used by us only represents an estimate of savings you might benefit from buying certain tools with us compared to the major top brands and does not necessarily mean to cover all categories of tools offered by us. You are kindly reminded to verify carefully when you are placing an order with us if you are actually saving half in comparison with the top major brands.

VEVOR®

TOUGH TOOLS, HALF PRICE

Lab Carts

NR MODELU: FY-1T1C



NEED HELP? CONTACT US!

Have product questions? Need technical support? Please feel free to contact us:

Technical Support and E-Warranty Certificate
www.vevor.com/support

This is the original instruction, please read all manual instructions carefully before operating. VEVOR reserves a clear interpretation of our user manual. The appearance of the product shall be subject to the product you received. Please forgive us that we won't inform you again if there are any technology or software updates on our product.

OSTRZEŻENIE:

Przed użyciem produktu należy uważnie przeczytać niniejszą instrukcję. Niezastosowanie się do tego zalecenia może spowodować poważne obrażenia.

ŚRODKI OSTROŻNOŚCI MONTAŻOWEJ

1. Montuj wyłącznie zgodnie z niniejszą instrukcją. Nieprawidłowy montaż może spowodować zagrożenie.
2. Podczas montażu należy nosić okulary ochronne i wytrzymałe rękawice robocze zatwierdzone przez ANSI.
3. Utrzymuj miejsce zbiórki w czystości i dobrze oświetlone.
4. Podczas montażu trzymaj osoby postronne z dala od obszaru.
5. Nie należy montować, gdy jest się zmęczonym lub pod wpływem alkoholu, narkotyków lub leków.
6. Możliwości produktu dotyczą wyłącznie produktów prawidłowo i całkowicie zmontowanych.
7. Zmontuj na płaskiej, poziomej, twardej i gładkiej powierzchni, która może bezpiecznie utrzymać wózki laboratoryjne.
8. Aby uzyskać dodatkowe informacje dotyczące części wymienionych na kolejnych stronach, zapoznaj się ze schematem montażu w niniejszej instrukcji. Rozpakuj i oddziel wszystkie części w czystym miejscu pracy.

ZACHOWAJ TE INSTRUKCJE

STOSOWAĆ ŚRODKI OSTROŻNOŚCI

ABY ZAPOBIEC POWAŻNYM OBRAŻENIOM LUB ŚMIERCI W PRZYPADKU WYWROTU:



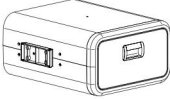
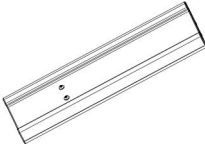
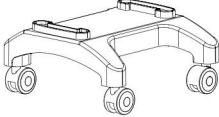

1. Ten produkt nie jest zabawką. Nie pozwalaj dzieciom bawić się tym przedmiotem lub w jego pobliżu.
2. Przed przeniesieniem nie należy przekraczać udźwigu.
3. Używać wyłącznie na płaskiej, równej, twardej i gładkiej powierzchni, która może bezpiecznie utrzymać w pełni załadowane wózki laboratoryjne.
4. Używaj wyłącznie zgodnie z przeznaczeniem.
Sprawdź przed każdym użyciem; nie używaj, jeśli części są luźne lub uszkodzone.

TECHNICAL SPECIFICATIONS

Model	FY-1T1C
wymiary produktu (DxSxW) (mm)	465*460*745
Rozmiar opakowania (dł. x szer. x wys.) (mm)	525*455*625
Masa netto (kg)	Okolo 12,7
Waga brutto (kg)	Okolo 15.2

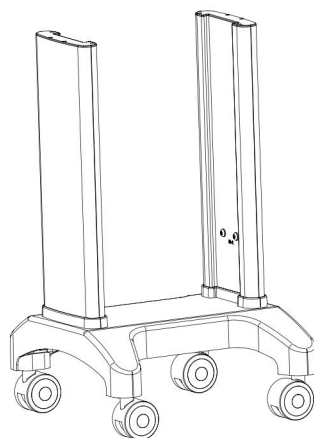
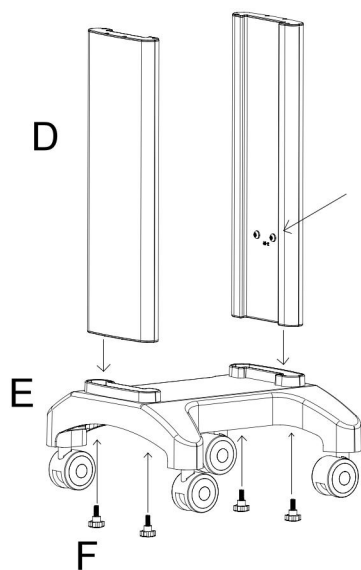
*Produkty takie jak dane techniczne, wygląd i konstrukcja mogą podlegać modyfikacjom bez wcześniejszego powiadomienia.

PACKAGE CONTENTS

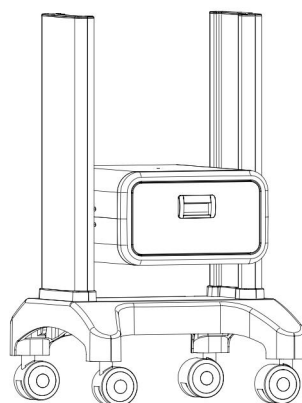
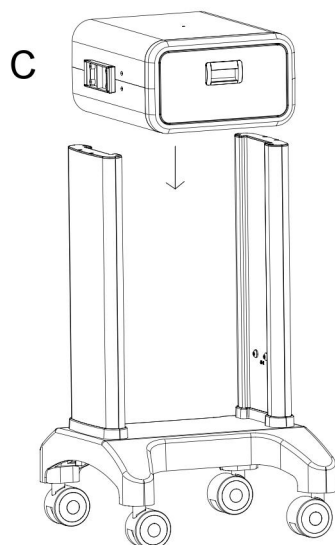
A 	B 	C 
1 PCS	1 PCS	1 PCS
D 	E 	F  M8 X 20
2 PCS	1 PCS	4 PCS

ASSEMBLY STEPS

KROK 1

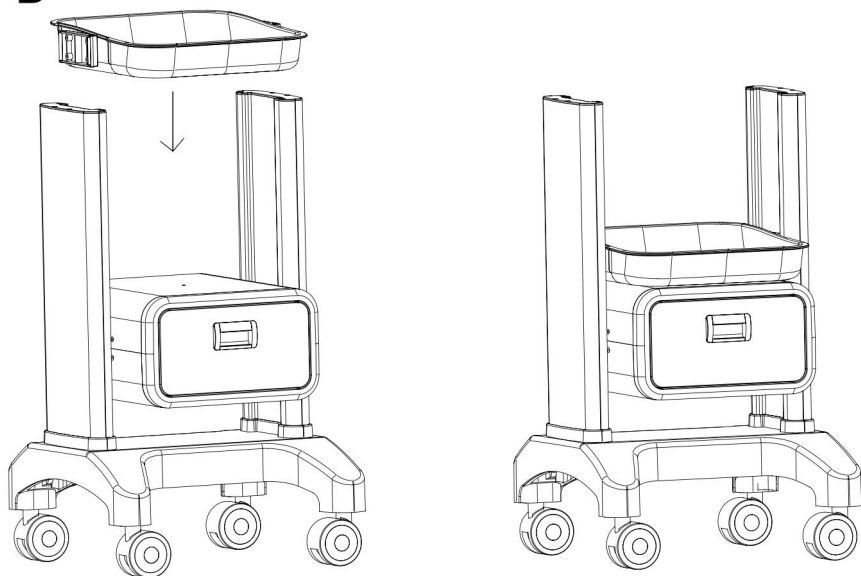


KROK 2



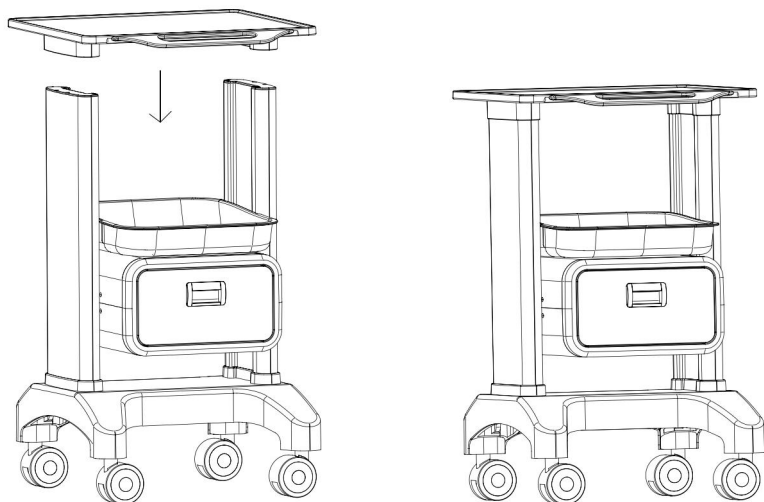
KROK 3

B

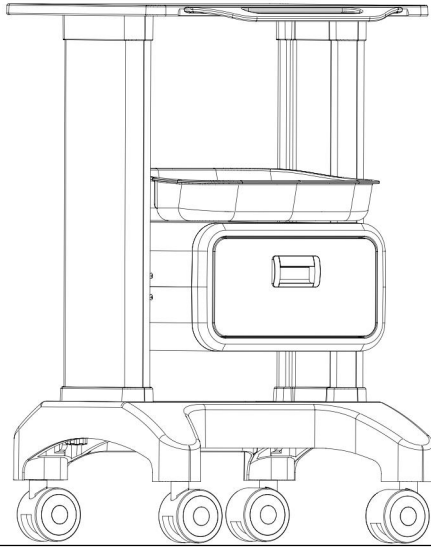


KROK 4

A



COMPLETION



Producent: Shanghaimuxinmuyeyouxiangongsi

Adres: Shuangchenglu 803nong11hao1602A-1609shi, baoshanqu, szanghaj 200000 CN.

Import do Australii: SIHAO PTY LTD. 1 ROKEVA STREETEASTWOOD NSW 2122 Australia

Import do USA: Sanven Technology Ltd. Suite 250, 9166 Anaheim Place, Rancho Cucamonga, CA 91730

EC	REP
-----------	------------

E-CrossStu GmbH
Mainzer Landstr.69, 60329 Frankfurt am Main.

UK	REP
-----------	------------

YH CONSULTING LIMITED.
C/O YH Consulting Limited Office 147, Centurion House, London Road, Staines-upon-Thames, Surrey, TW18 4AX

VEVOR[®]

TOUGH TOOLS, HALF PRICE

Techniczny Certyfikat wsparcia i e-gwarancji

www.vevor.com/support

VEVOR[®]

TOUGH TOOLS, HALF PRICE

Technisch Support- und E-Garantie-Zertifikat www.vevor.com/support

LABORWAGEN

BENUTZERHANDBUCH

MODELL-NR.: FY-1T1C

We continue to be committed to provide you tools with competitive price.

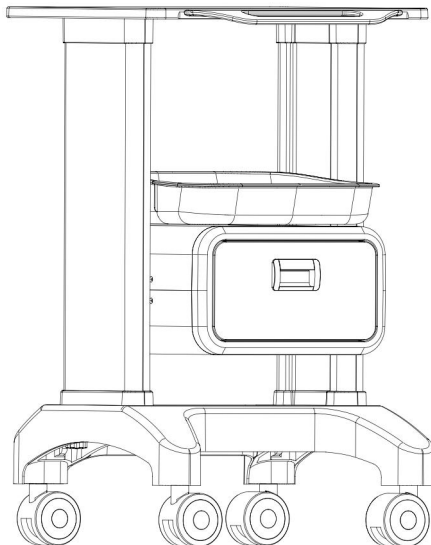
"Save Half", "Half Price" or any other similar expressions used by us only represents an estimate of savings you might benefit from buying certain tools with us compared to the major top brands and does not necessarily mean to cover all categories of tools offered by us. You are kindly reminded to verify carefully when you are placing an order with us if you are actually saving half in comparison with the top major brands.

VEVOR®

TOUGH TOOLS, HALF PRICE

Lab Carts

MODELL-NR.: FY-1T1C



NEED HELP? CONTACT US!

Have product questions? Need technical support? Please feel free to contact us:

Technical Support and E-Warranty Certificate
www.vevor.com/support

This is the original instruction, please read all manual instructions carefully before operating. VEVOR reserves a clear interpretation of our user manual. The appearance of the product shall be subject to the product you received. Please forgive us that we won't inform you again if there are any technology or software updates on our product.

 **WARNUNG:**

Bitte lesen Sie dieses Handbuch sorgfältig durch, bevor Sie das Produkt verwenden. Andernfalls kann es zu schweren Verletzungen kommen.

VORSICHTSMASSNAHMEN BEI DER MONTAGE

1. Montieren Sie das Gerät nur gemäß dieser Anleitung. Bei unsachgemäßer Montage können Gefahren entstehen.
2. Tragen Sie während der Montage eine ANSI-zugelassene Schutzbrille und strapazierfähige Arbeitshandschuhe.
3. Halten Sie den Montagebereich sauber und gut beleuchtet.
4. Halten Sie Unbeteiligte während der Montage vom Bereich fern.
5. Nicht aufbauen, wenn Sie müde sind oder unter dem Einfluss von Alkohol, Drogen oder Medikamenten stehen.
6. Die Produkteigenschaften gelten nur für ordnungsgemäß und vollständig montierte Produkte.
7. Auf einer flachen, ebenen, harten und glatten Oberfläche montieren, auf der die Laborwagen sicher getragen werden können.
8. Weitere Informationen zu den auf den folgenden Seiten aufgeführten Teilen finden Sie im Montagediagramm dieses Handbuchs. Packen Sie alle Teile in einem sauberen Arbeitsbereich aus und trennen Sie sie.

ANLEITUNG AUFBEWAHREN

VORSICHTSMASSNAHMEN VERWENDEN

UM SCHWERE VERLETZUNGEN UND TOD DURCH UMKIPPEN ZU VERMEIDEN:

1. Dieses Produkt ist kein Spielzeug. Erlauben Sie Kindern nicht, mit oder in der Nähe dieses Artikels zu spielen.
2. Überschreiten Sie nicht die Gewichtskapazität, bevor Sie sich bewegen.
3. Nur auf einer flachen, ebenen, harten und glatten Oberfläche verwenden, die einen voll beladenen Laborwagen sicher tragen kann.
4. Nur bestimmungsgemäß verwenden.
Überprüfen Sie es vor jedem Gebrauch; verwenden Sie es nicht, wenn Teile lose oder beschädigt sind.



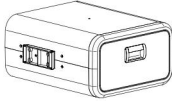
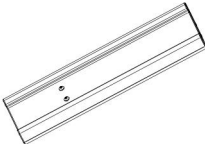
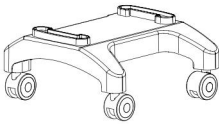

TECHNICAL SPECIFICATIONS

Modell	FY-1T1C
Produktabmessungen (LxBxH)(mm)	465*460*745
Verpackungsgröße (LxBxH)(mm)	525*455*625
Nettogewicht / kg)	Ungefähr 12.7
Bruttogewicht (kg)	Etwa 15.2

*Produkte wie Spezifikationen, Aussehen und Design können ohne

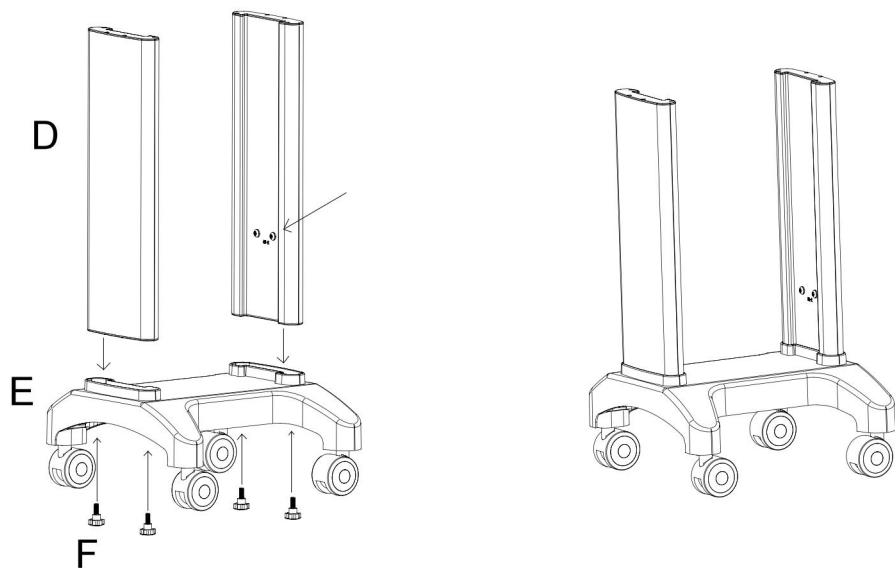
vorherige Ankündigung geändert werden.

PACKAGE CONTENTS

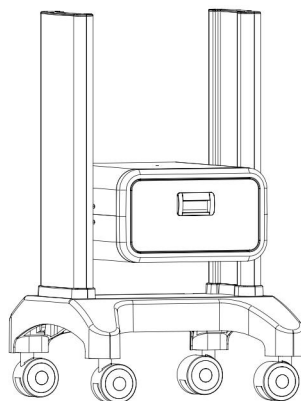
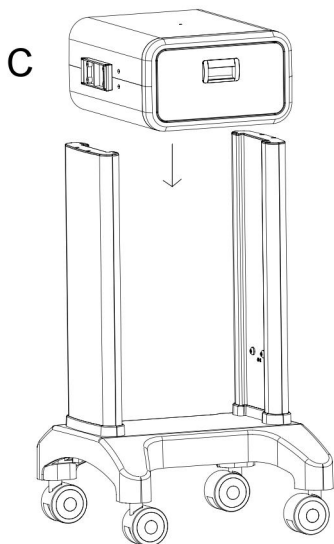
A 	B 	C 
1 PCS	1 PCS	1 PCS
D 	E 	F  M8 X 20
2 PCS	1 PCS	4 PCS

ASSEMBLY STEPS

SCHRITT 1

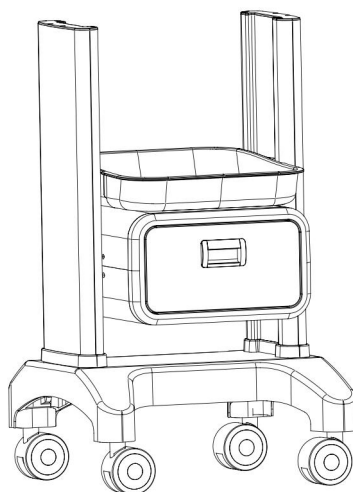
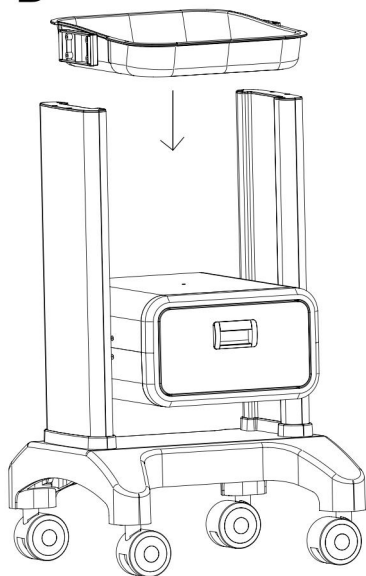


SCHRITT 2



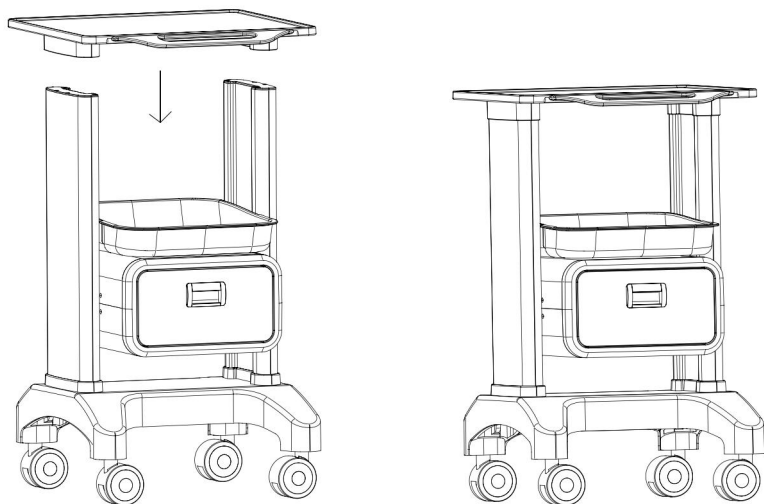
SCHRITT 3

B

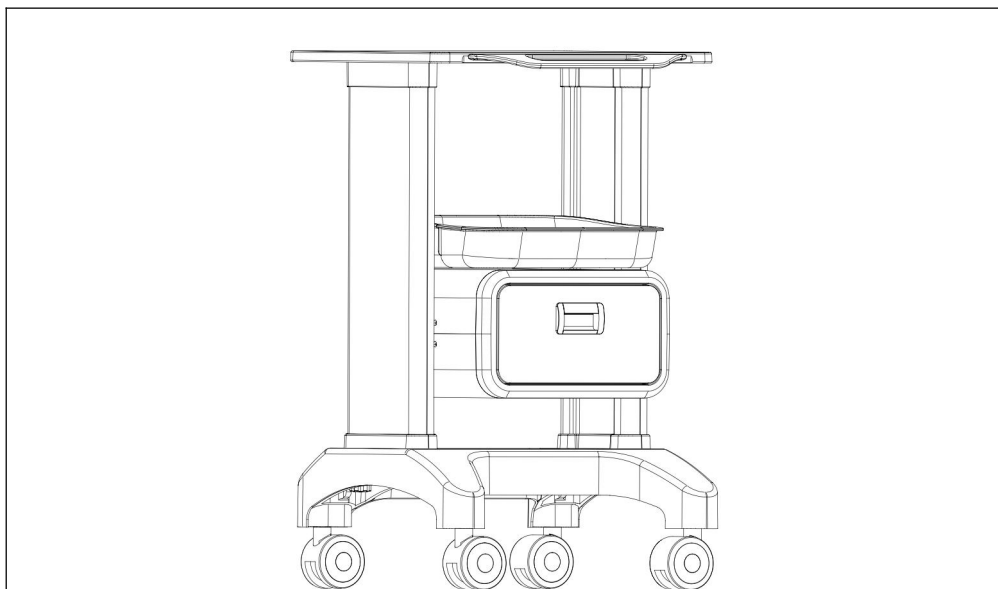


SCHRITT 4

A



COMPLETION



Hersteller: Shanghaimuxinmuyeyouxiangongsi

Adresse: Shuangchenglu 803nong11hao1602A-1609shi, baoshanqu, Shanghai 200000 CN.

Importiert nach AUS: SIHAO PTY LTD. 1 ROKEVA STREETEASTWOOD NSW 2122 Australien

In die USA importiert: Sanven Technology Ltd. Suite 250, 9166 Anaheim Place, Rancho Cucamonga, CA 91730



E-CrossStu GmbH
Mainzer Landstr.69, 60329 Frankfurt am Main.



YH CONSULTING LIMITED.
C/O YH Consulting Limited Office 147, Centurion House, London Road, Staines-upon-Thames, Surrey, TW18 4AX

VEVOR[®]

TOUGH TOOLS, HALF PRICE

Technisch Support- und E-Garantiezertifikat

www.vevor.com/support

VEVOR[®]

TOUGH TOOLS, HALF PRICE

Technique Assistance et certificat de garantie électronique

www.vevor.com/support

CHARIOTS DE LABORATOIRE

MANUEL DE L'UTILISATEUR

N° DE MODÈLE : FY-1T1C

We continue to be committed to provide you tools with competitive price.

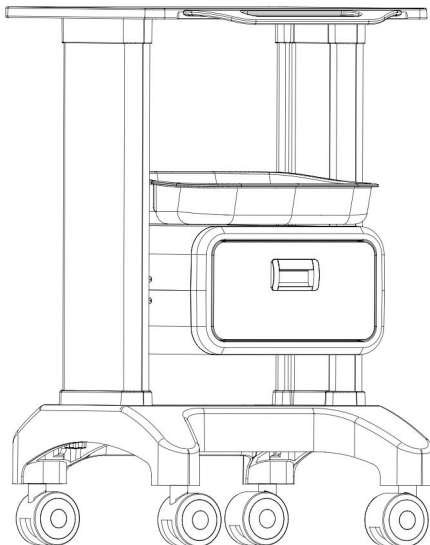
"Save Half", "Half Price" or any other similar expressions used by us only represents an estimate of savings you might benefit from buying certain tools with us compared to the major top brands and does not necessarily mean to cover all categories of tools offered by us. You are kindly reminded to verify carefully when you are placing an order with us if you are actually saving half in comparison with the top major brands.

VEVOR[®]

TOUGH TOOLS, HALF PRICE

Lab Carts

N° DE MODÈLE : FY-1T1C



NEED HELP? CONTACT US!

Have product questions? Need technical support? Please feel free to contact us:

Technical Support and E-Warranty Certificate
www.vevor.com/support

This is the original instruction, please read all manual instructions carefully before operating. VEVOR reserves a clear interpretation of our user manual. The appearance of the product shall be subject to the product you received. Please forgive us that we won't inform you again if there are any technology or software updates on our product.

 **AVERTISSEMENT:**

Veillez lire attentivement ce manuel avant d'utiliser le produit. Ne pas le faire peut entraîner des blessures graves.

PRÉCAUTIONS DE MONTAGE

1. Assemblez uniquement selon ces instructions. Un assemblage incorrect peut créer des dangers.
2. Portez des lunettes de sécurité approuvées par l'ANSI et des gants de travail robustes pendant l'assemblage.
3. Gardez la zone de rassemblement propre et bien éclairée.
4. Gardez les spectateurs hors de la zone pendant l' assemblage.
5. Ne vous rassemblez pas lorsque vous êtes fatigué ou sous l' influence de l' alcool, de drogues ou de médicaments.
6. Les capacités du produit s'appliquent uniquement aux produits correctement et complètement assemblés.
7. Assemblez-le sur une surface plane, de niveau, dure et lisse, capable de supporter les chariots de laboratoire en toute sécurité.
8. Pour plus d'informations concernant les pièces répertoriées dans les pages suivantes, veuillez vous référer au schéma d'assemblage de ce manuel. Déballez et séparez toutes les pièces dans une zone de travail propre.

CONSERVEZ CES INSTRUCTIONS

PRÉCAUTIONS D'UTILISATION

POUR ÉVITER DES BLESSURES GRAVES ET LA MORT PAR BASCULEMENT :



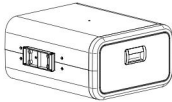
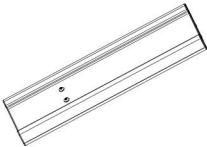
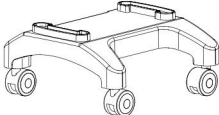

1. Ce produit n'est pas un jouet. Ne laissez pas les enfants jouer avec ou à proximité de cet article.
2. Ne dépassez pas les capacités de poids avant de vous déplacer.
3. Utiliser uniquement sur une surface plane, de niveau, dure et lisse, capable de supporter en toute sécurité un chariot de laboratoire entièrement chargé.
4. Utiliser uniquement comme prévu.
Inspectez avant chaque utilisation ; ne pas utiliser si les pièces sont desserrées ou endommagées.

TECHNICAL SPECIFICATIONS

Modèle	EF-1T1C
dimensions du produit (LxlxH)(mm)	465*460*745
Taille de l'emballage (LxlxH)(mm)	525*455*625
Poids net / kg)	Environ 12,7
Poids brut (kg)	Vers 15,2

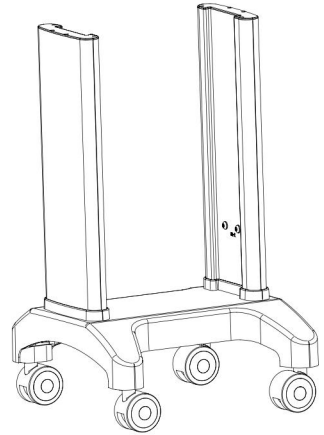
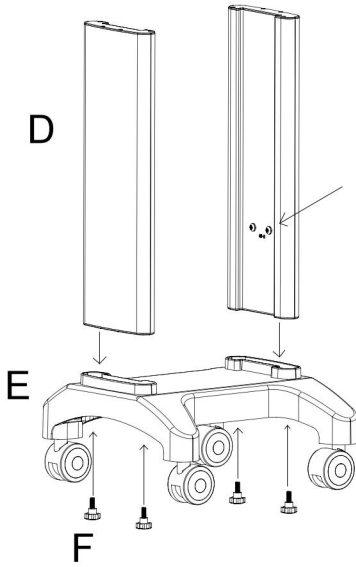
*Les produits tels que les spécifications, l'apparence et la conception sont sujets à modification sans préavis.

PACKAGE CONTENTS

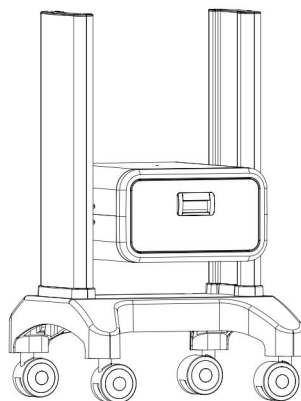
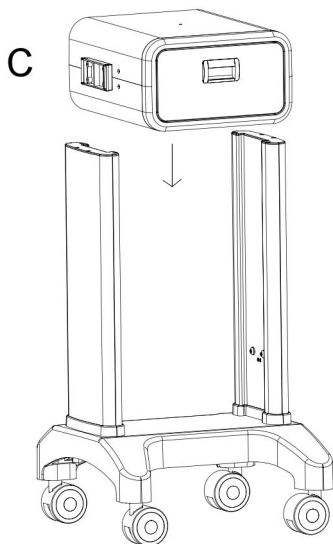
A 	B 	C 
1 PCS	1 PCS	1 PCS
D 	E 	F  M8 X 20
2 PCS	1 PCS	4 PCS

ASSEMBLY STEPS

ÉTAPE 1

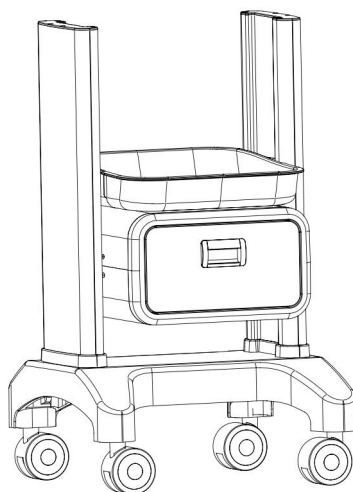
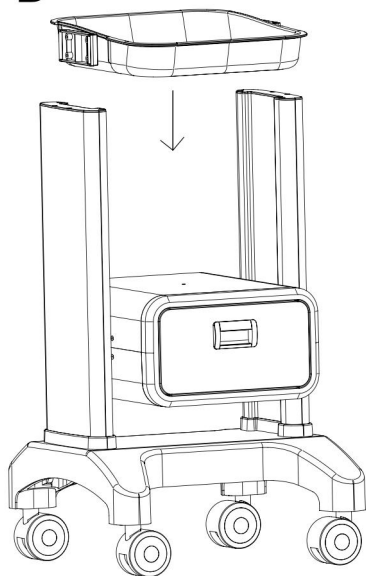


ÉTAPE 2



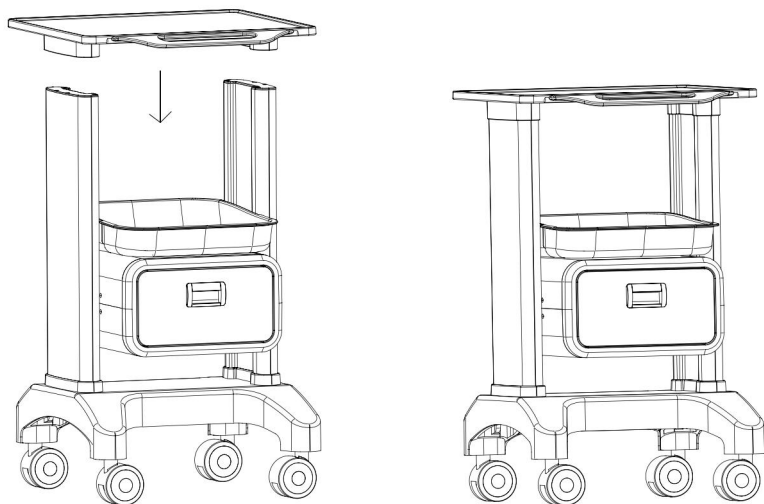
ÉTAPE 3

B

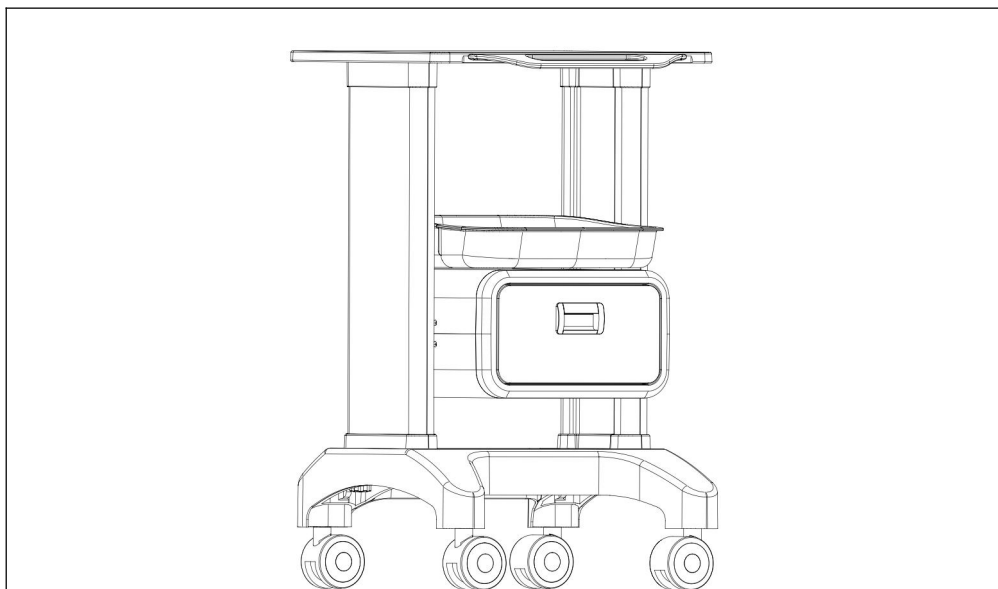


ÉTAPE 4

A



COMPLETION



Fabricant : Shanghaimuxinmuyeyouxiangongsi

Adresse : Shuangchenglu 803nong11hao1602A-1609shi, baoshanqu, Shanghai 200000 CN.

Importé en Australie : SIHAO PTY LTD. 1 ROKEVA STREETESTWOOD NSW 2122 Australie.

Importé aux États-Unis : Sanven Technology Ltd. Suite 250, 9166 Anaheim Place, Rancho Cucamonga, CA 91730



E-CrossStu GmbH
Mainzer Landstr.69, 60329 Frankfurt am Main.



YH CONSULTING LIMITED.
C/O YH Consulting Limited Office 147, Centurion House, London Road, Staines-upon-Thames, Surrey, TW18 4AX

VEVOR[®]

TOUGH TOOLS, HALF PRICE

Technique Assistance et certificat de garantie électronique

www.vevor.com/support

VEVOR[®]

TOUGH TOOLS, HALF PRICE

Technisch Ondersteuning en e-garantiecertificaat www.vevor.com/support

LABORATORIUMKARREN

HANDLEIDING

MODELNR.: FY-1T1C

We continue to be committed to provide you tools with competitive price.

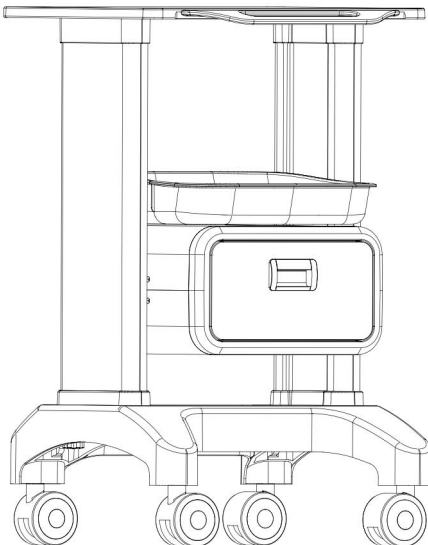
"Save Half", "Half Price" or any other similar expressions used by us only represents an estimate of savings you might benefit from buying certain tools with us compared to the major top brands and does not necessarily mean to cover all categories of tools offered by us. You are kindly reminded to verify carefully when you are placing an order with us if you are actually saving half in comparison with the top major brands.

VEVOR®

TOUGH TOOLS, HALF PRICE

Lab Carts

MODELNR.: FY-1T1C



NEED HELP? CONTACT US!

Have product questions? Need technical support? Please feel free to contact us:

Technical Support and E-Warranty Certificate
www.vevor.com/support

This is the original instruction, please read all manual instructions carefully before operating. VEVOR reserves a clear interpretation of our user manual. The appearance of the product shall be subject to the product you received. Please forgive us that we won't inform you again if there are any technology or software updates on our product.

WAARSCHUWING:

Lees deze handleiding aandachtig door voordat u het product gebruikt. Als u dit niet doet, kan dit leiden tot ernstig letsel.

MONTAGEVOORZORGSMATREGELEN

1. Monteer uitsluitend volgens deze instructies. Onjuiste montage kan gevaren veroorzaken.
2. Draag tijdens de montage een ANSI-goedgekeurde veiligheidsbril en stevige werkhandschoenen.
3. Houd de verzamelplaats schoon en goed verlicht.
4. Houd omstanders tijdens de montage uit de buurt.
5. Niet monteren als u moe bent of onder invloed bent van alcohol, drugs of medicijnen.
6. De productmogelijkheden zijn alleen van toepassing op correct en volledig gemonteerde producten.
7. Monteer op een vlakke, vlakke, harde en gladde ondergrond die de Lab Carts veilig kan ondersteunen.
8. Voor aanvullende informatie over de onderdelen die op de volgende pagina's worden vermeld, raadpleegt u het montageschema van deze handleiding. Pak alle onderdelen uit en scheid ze van elkaar op een schone werkplek.

BEWAAR DEZE INSTRUCTIES

GEBRUIK VOORZORGSMAATREGELEN

OM ERNSTIG LETSEL EN DE DOOD DOOR KANTELEN TE VOORKOMEN:



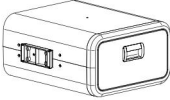
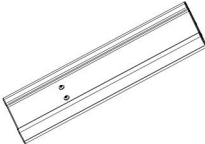
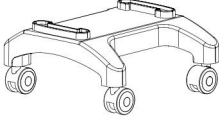

1. Dit product is geen speelgoed. Laat kinderen niet met of in de buurt van dit artikel spelen.
2. Overschrijd het gewicht niet voordat u gaat verhuizen.
3. Uitsluitend gebruiken op een vlakke, vlakke, harde en gladde ondergrond die volledig geladen laboratoriumkarren veilig kan ondersteunen.
4. Alleen gebruiken zoals bedoeld.
Inspecteer voor elk gebruik; gebruik het apparaat niet als er onderdelen loszitten of beschadigd zijn.

TECHNICAL SPECIFICATIONS

Model	FY-1T1C
Productafmetingen (LxBxH)(mm)	465*460*745
Verpakkingsgrootte (LxBxH) (mm)	525*455*625
Netto gewicht / kg)	Ongeveer 12,7
Bruto gewicht (kg)	Ongeveer 15,2

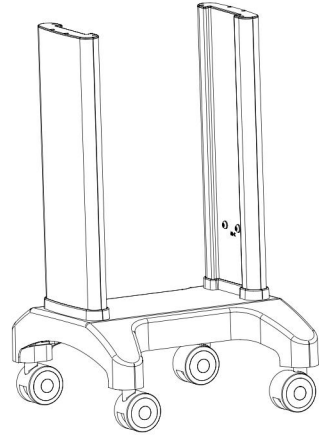
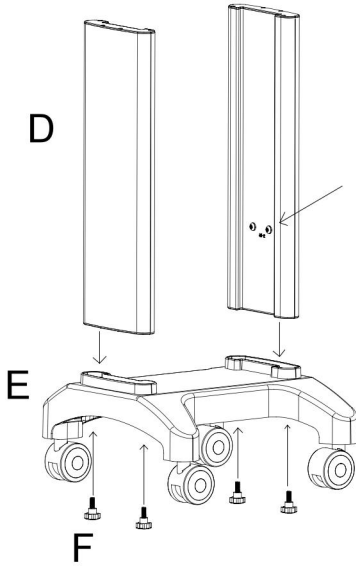
*Producten zoals specificaties, uiterlijk en ontwerp kunnen zonder voorafgaande kennisgeving worden gewijzigd.

PACKAGE CONTENTS

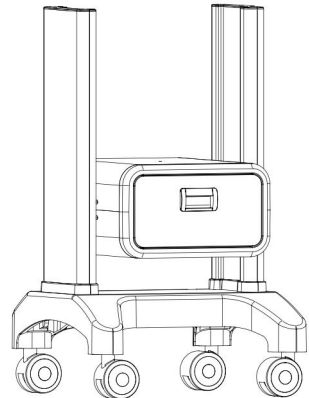
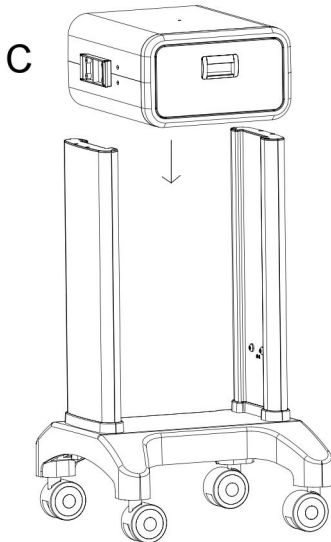
A 	B 	C 
1 PCS	1 PCS	1 PCS
D 	E 	F  M8 X 20
2 PCS	1 PCS	4 PCS

ASSEMBLY STEPS

STAP 1

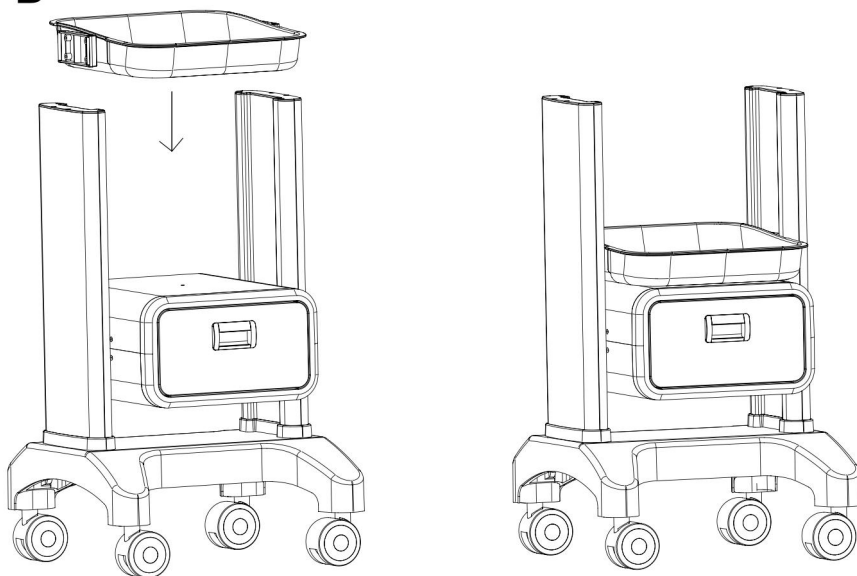


STAP 2



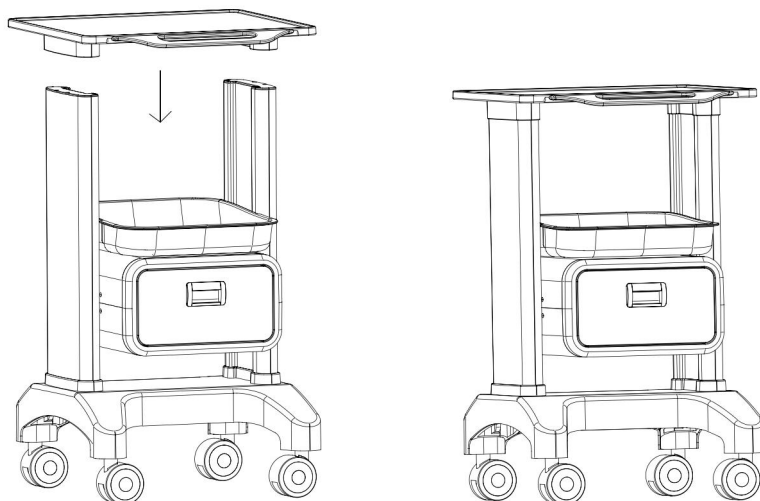
STAP 3

B

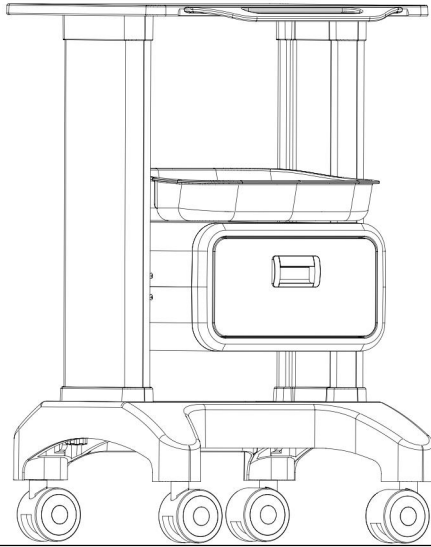


STAP 4

A



COMPLETION



Fabrikant: Shanghaimuxinmuyeyouxiangongsi

Adres: Shuangchenglu 803nong11hao1602A-1609shi, baoshanqu, shanghai 200000 CN.

Geïmporteerd naar AUS: SIHAO PTY LTD 1 ROKEVA
STREETEASTWOOD NSW 2122 Australië

Geïmporteerd naar de VS: Sanven Technology Ltd. Suite 250, 9166
Anaheim Place, Rancho Cucamonga, CA 91730



E-CrossStu GmbH
Mainzer Landstr.69, 60329 Frankfurt am Main.



YH CONSULTING LIMITED.
C/O YH Consulting Limited Office 147, Centurion
House, London Road, Staines-upon-Thames, Surrey,
TW18 4AX

VEVOR[®]

TOUGH TOOLS, HALF PRICE

Technisch Ondersteuning en e-garantiecertificaat

www.vevor.com/support

VEVOR[®]

TOUGH TOOLS, HALF PRICE

Teknisk Support och e-garanticertifikat www.vevor.com/support

LABBVAGNAR

ANVÄNDARMANUAL

MODELLNR: FY-1T1C

We continue to be committed to provide you tools with competitive price.

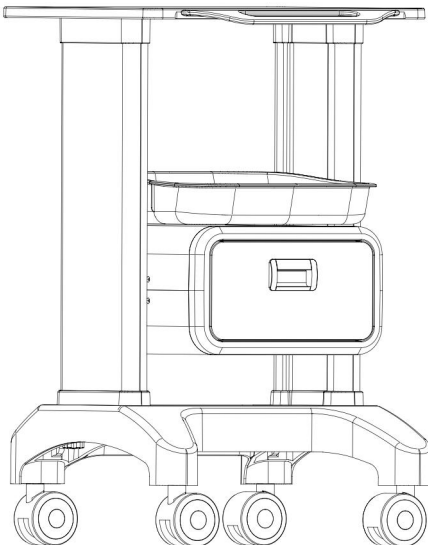
"Save Half", "Half Price" or any other similar expressions used by us only represents an estimate of savings you might benefit from buying certain tools with us compared to the major top brands and does not necessarily mean to cover all categories of tools offered by us. You are kindly reminded to verify carefully when you are placing an order with us if you are actually saving half in comparison with the top major brands.

VEVOR®

TOUGH TOOLS, HALF PRICE

Lab Carts

MODELLNR: FY-1T1C



NEED HELP? CONTACT US!

Have product questions? Need technical support? Please feel free to contact us:

Technical Support and E-Warranty Certificate
www.vevor.com/support

This is the original instruction, please read all manual instructions carefully before operating. VEVOR reserves a clear interpretation of our user manual. The appearance of the product shall be subject to the product you received. Please forgive us that we won't inform you again if there are any technology or software updates on our product.

 **VARNING:**

Läs denna bruksanvisning noggrant innan du använder produkten. Underlåtenhet att göra det kan leda till allvarliga skador.

FÖRSIKTIGHETSÅTGÄRDER FÖR MONTERING

1. Montera endast enligt dessa instruktioner. Felaktig montering kan skapa faror.
2. Använd ANSI-godkända skyddsglasögon och kraftiga arbetshandskar vid montering.
3. Håll monteringsområdet rent och väl upplyst.
4. Håll åskådare borta från området under monteringen.
5. Sätt dig inte ihop när du är trött eller påverkad av alkohol, droger eller mediciner.
6. Produktegenskaperna gäller endast för korrekt och färdigmonterade produkter.
7. Montera på en plan, jämn, hård och slät yta som säkert kan stödja labbvagnarna.
8. För ytterligare information om delarna som listas på följande sidor, se monteringsdiagrammet i denna manual. Packa upp och separera alla delar i ett rent arbetsområde.

SPARA DESSA INSTRUKTIONER

ANVÄND FÖRSIKTIGHETSÅTGÄRDER

FÖR ATT FÖRHINDRA ALLVARLIGA SKADA OCH DÖDSFALL VID VÄLLNING:



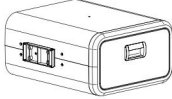
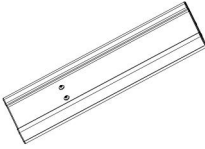
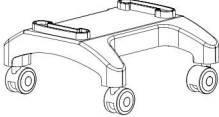

1. Denna produkt är inte en leksak. Tillåt inte barn att leka med eller i närheten av detta föremål.
2. Överskrid inte viktkapaciteten innan du flyttar.
3. Använd endast på en plan, jämn, hård och slät yta som säkert kan bära en fullastad labbvagnar.
4. Använd endast som avsett.
Inspektera före varje användning; använd inte om delar är lösa eller skadade.

TECHNICAL SPECIFICATIONS

Modell	FY-1T1C
Produktens mått (LxBxH)(mm)	465*460*745
Förpackningsstorlek(LxB xH)(mm)	525*455*625
Nettovikt (kg)	Cirka 12.7
Bruttovikt (kg)	Cirka 15.2

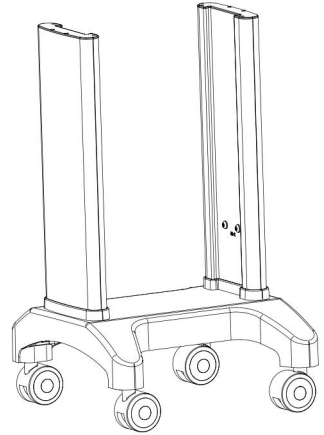
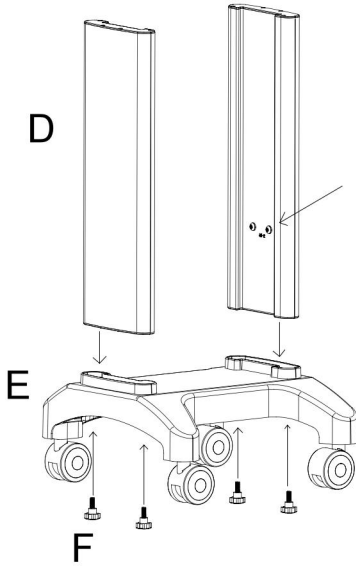
*Produkter som specifikationer, utseende och design kan ändras utan föregående meddelande.

PACKAGE CONTENTS

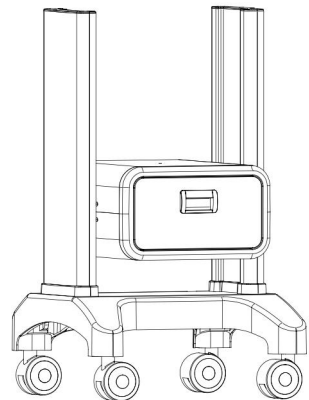
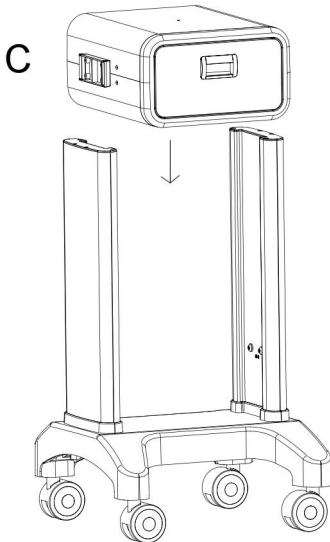
A 	B 	C 
1 PCS	1 PCS	1 PCS
D 	E 	F  M8 X 20
2 PCS	1 PCS	4 PCS

ASSEMBLY STEPS

STEP 1

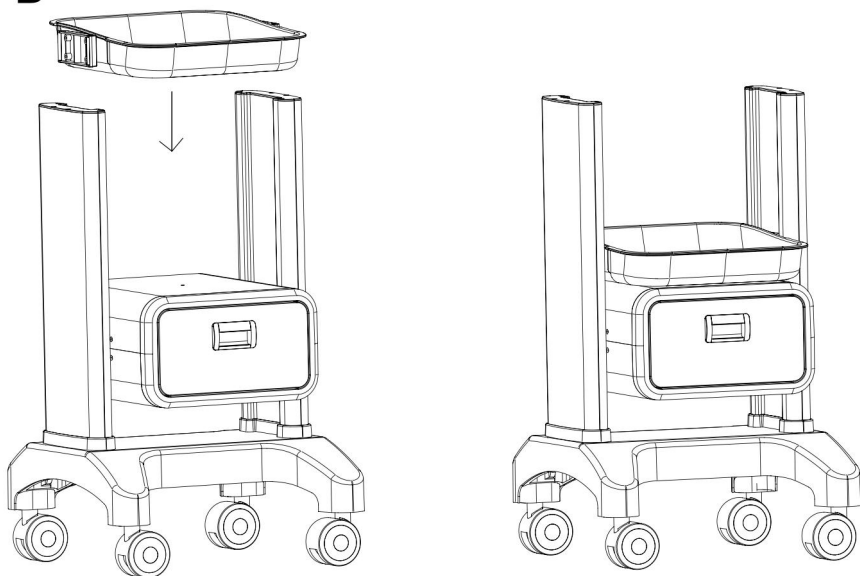


STEP 2



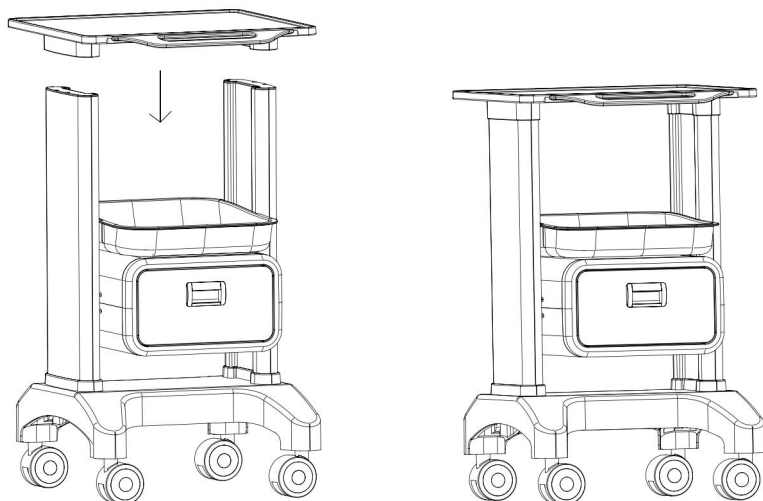
STEG 3

B

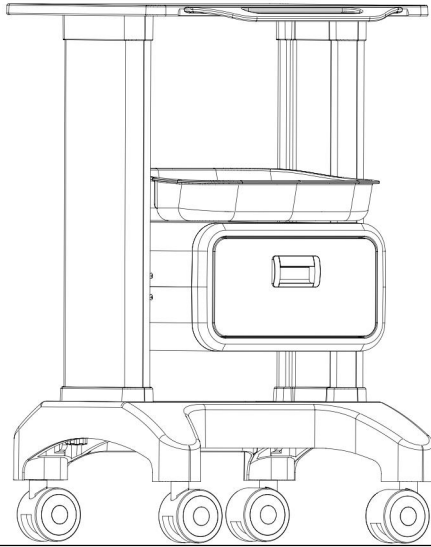


STEG 4

A



COMPLETION



Tillverkare: Shanghaimuxinmuyeyouxiangongsi

Adress: Shuangchenglu 803nong11hao1602A-1609shi, baoshanqu, shanghai 200000 CN.

Importerad till AUS: SIHAO PTY LTD 1 ROKEVA STREETEASTWOOD NSW 2122 Australien

Importerad till USA: Sanven Technology Ltd. Suite 250, 9166 Anaheim Place, Rancho Cucamonga, CA 91730

EC	REP
-----------	------------

E-CrossStu GmbH
Mainzer Landstr.69, 60329 Frankfurt am Main.

UK	REP
-----------	------------

YH CONSULTING LIMITED.
C/O YH Consulting Limited Office 147, Centurion House, London Road, Staines-upon-Thames, Surrey, TW18 4AX

VEVOR[®]

TOUGH TOOLS, HALF PRICE

Teknisk Support och e-garanticertifikat

www.vevor.com/support

VEVOR[®]

TOUGH TOOLS, HALF PRICE

Técnico Soporte y certificado de garantía electrónica www.vevor.com/support

CARROS DE LABORATORIO

MANUAL DE USUARIO

N.º DE MODELO: FY-1T1C

We continue to be committed to provide you tools with competitive price.

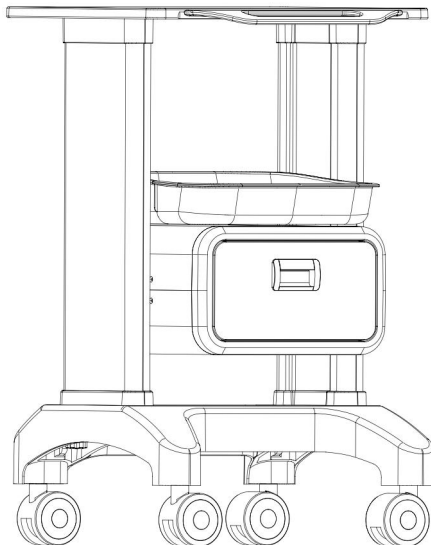
"Save Half", "Half Price" or any other similar expressions used by us only represents an estimate of savings you might benefit from buying certain tools with us compared to the major top brands and does not necessarily mean to cover all categories of tools offered by us. You are kindly reminded to verify carefully when you are placing an order with us if you are actually saving half in comparison with the top major brands.

VEVOR®

TOUGH TOOLS, HALF PRICE

Lab Carts

N.º DE MODELO: FY-1T1C



NEED HELP? CONTACT US!

Have product questions? Need technical support? Please feel free to contact us:

Technical Support and E-Warranty Certificate
www.vevor.com/support

This is the original instruction, please read all manual instructions carefully before operating. VEVOR reserves a clear interpretation of our user manual. The appearance of the product shall be subject to the product you received. Please forgive us that we won't inform you again if there are any technology or software updates on our product.

 **ADVERTENCIA:**

Lea este manual detenidamente antes de utilizar el producto. De lo contrario, podrían producirse lesiones graves.

PRECAUCIONES DE MONTAJE

1. Realice el montaje únicamente de acuerdo con estas instrucciones. Un montaje inadecuado puede generar peligros.
2. Use gafas de seguridad aprobadas por ANSI y guantes de trabajo resistentes durante el montaje.
3. Mantenga el área de reunión limpia y bien iluminada.
4. Mantenga a los transeúntes fuera del área durante el montaje.
5. No se reúna cuando esté cansado o bajo la influencia de alcohol, drogas o medicamentos.
6. Las capacidades del producto se aplican únicamente a productos ensamblados de manera adecuada y completa.
7. Ensamble sobre una superficie plana, nivelada, dura y lisa capaz de soportar de manera segura los carros de laboratorio.
8. Para obtener información adicional sobre las piezas enumeradas en las siguientes páginas, consulte el Diagrama de ensamblaje de este manual. Desenvuelva y separe todas las piezas en un área de trabajo limpia.

GUARDA ESTAS INSTRUCCIONES

PRECAUCIONES DE USO

PARA EVITAR LESIONES GRAVES Y LA MUERTE POR VUELCO:



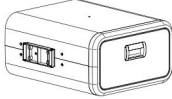
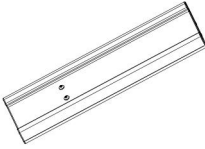
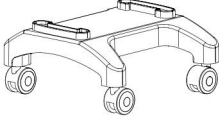

1. Este producto no es un juguete. No permita que los niños jueguen con este artículo o cerca de él.
2. No exceda las capacidades de peso antes de moverse.
3. Úselo únicamente sobre una superficie plana, nivelada, dura y lisa capaz de soportar de manera segura carros de laboratorio completamente cargados.
4. Úselo únicamente según lo previsto.
Inspeccione antes de cada uso; no lo use si las piezas están sueltas o dañadas.

TECHNICAL SPECIFICATIONS

Modelo	FY-1T1C
Dimensiones del producto (LxAnxAI)(mm)	465*460*745
Tamaño del embalaje (largo x ancho x alto) (mm)	525*455*625
Peso neto / kg)	Alrededor de 12,7
Peso bruto (kg)	Alrededor de 15,2

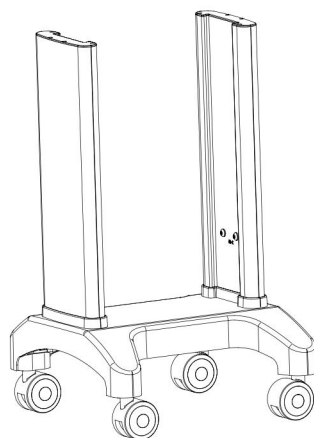
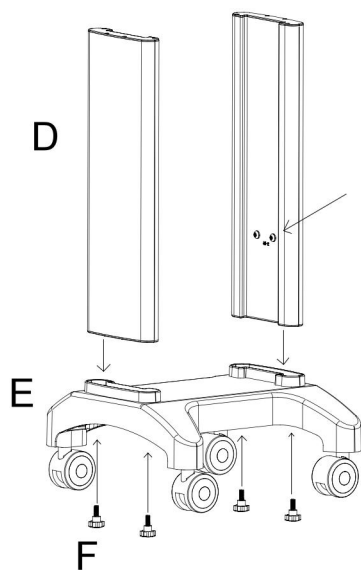
*Productos como especificaciones, apariencia y diseño están sujetos a modificaciones sin previo aviso.

PACKAGE CONTENTS

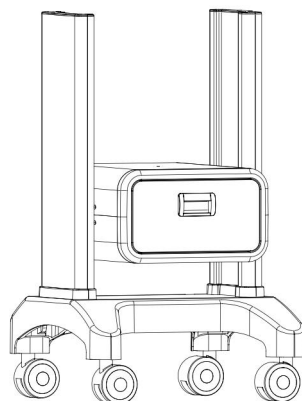
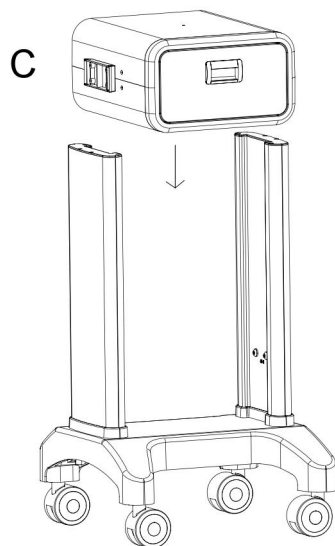
A 	B 	C 
1 PCS	1 PCS	1 PCS
D 	E 	F  M8 X 20
2 PCS	1 PCS	4 PCS

ASSEMBLY STEPS

PASO 1

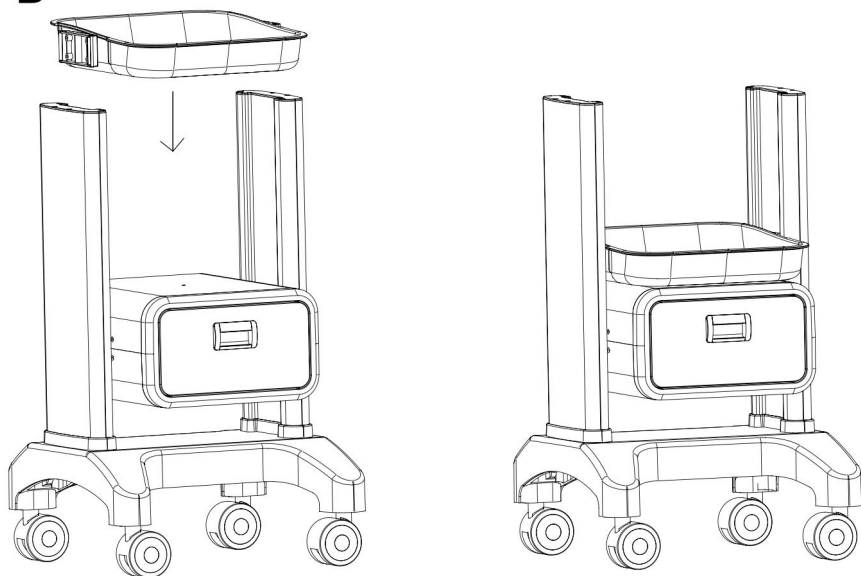


PASO 2



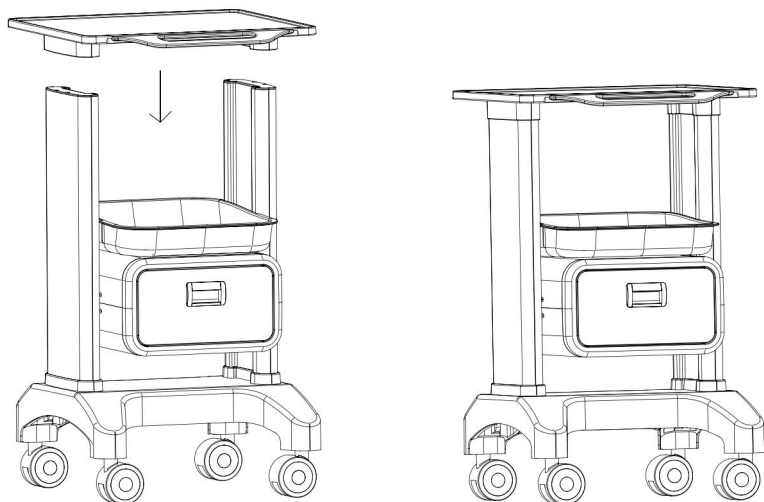
PASO 3

B

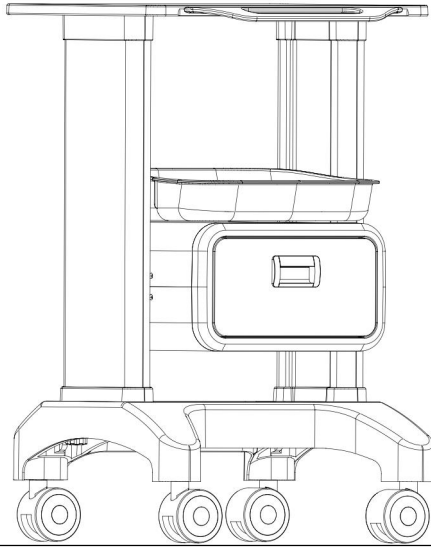


ETAPA 4

A



COMPLETION



Fabricante: Shanghaimuxinmuyeyouxiangongsi

Dirección: Shuangchenglu 803nong11hao1602A-1609shi, baoshanqu, shanghai 200000 CN.

Importado a AUS: SIHAO PTY LTD. 1 ROKEVA STREETEASTWOOD NSW 2122 Australia

Importado a EE. UU.: Sanven Technology Ltd. Suite 250, 9166 Anaheim Place, Rancho Cucamonga, CA 91730

EC	REP
-----------	------------

E-CrossStu GmbH
Mainzer Landstr.69, 60329 Frankfurt am Main.

UK	REP
-----------	------------

YH CONSULTING LIMITED.
C/O YH Consulting Limited Office 147, Centurion House, London Road, Staines-upon-Thames, Surrey, TW18 4AX

VEVOR[®]

TOUGH TOOLS, HALF PRICE

Técnico Certificado de soporte y garantía electrónica

www.vevor.com/support

VEVOR[®]

TOUGH TOOLS, HALF PRICE

Tecnico Supporto e certificato di garanzia elettronica www.vevor.com/support

CARRELLI DA LABORATORIO

MANUALE D' USO

MODELLO N.: FY-1T1C

We continue to be committed to provide you tools with competitive price.

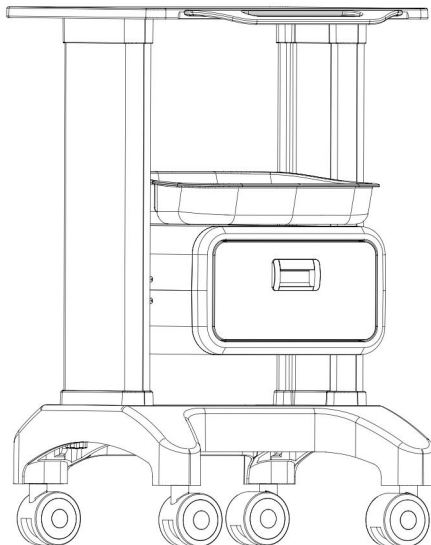
"Save Half", "Half Price" or any other similar expressions used by us only represents an estimate of savings you might benefit from buying certain tools with us compared to the major top brands and does not necessarily mean to cover all categories of tools offered by us. You are kindly reminded to verify carefully when you are placing an order with us if you are actually saving half in comparison with the top major brands.

VEVOR®

TOUGH TOOLS, HALF PRICE

Lab Carts

MODELLO N.: FY-1T1C



NEED HELP? CONTACT US!

Have product questions? Need technical support? Please feel free to contact us:

Technical Support and E-Warranty Certificate
www.vevor.com/support

This is the original instruction, please read all manual instructions carefully before operating. VEVOR reserves a clear interpretation of our user manual. The appearance of the product shall be subject to the product you received. Please forgive us that we won't inform you again if there are any technology or software updates on our product.

 **AVVERTIMENTO:**

Si prega di leggere attentamente questo manuale prima di utilizzare il prodotto. La mancata osservanza di questa osservanza potrebbe provocare lesioni gravi.

PRECAUZIONI DI MONTAGGIO

1. Montare solo seguendo queste istruzioni. Un montaggio improprio può creare pericoli.
2. Indossare occhiali di sicurezza approvati ANSI e guanti da lavoro pesanti durante il montaggio.
3. Mantenere l'area di assemblaggio pulita e ben illuminata.
4. Tenere gli astanti lontani dall'area durante il montaggio.
5. Non montare in caso di stanchezza o sotto l'effetto di alcol, droghe o farmaci.
6. Le funzionalità del prodotto si applicano solo ai prodotti correttamente e completamente assemblati.
7. Montare su una superficie piana, livellata, dura e liscia in grado di supportare in sicurezza i carrelli da laboratorio.
8. Per ulteriori informazioni riguardanti le parti elencate nelle pagine seguenti, fare riferimento allo schema di assemblaggio di questo manuale. Scartare e separare tutte le parti in un'area di lavoro pulita.

CONSERVA QUESTE ISTRUZIONI

USARE LE PRECAUZIONI

PER PREVENIRE LESIONI GRAVI E MORTE DOVUTE AL RIBALTAMENTO:



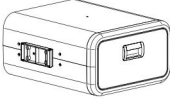
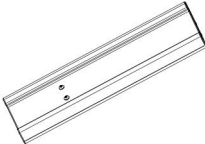
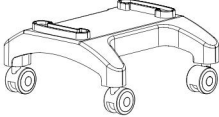

1. Questo prodotto non è un giocattolo. Non permettere ai bambini di giocare con o vicino a questo articolo.
2. Non superare le capacità di peso, prima dello spostamento.
3. Utilizzare solo su una superficie piana, livellata, dura e liscia in grado di supportare in sicurezza i carrelli da laboratorio a pieno carico.
4. Utilizzare solo come previsto.
Ispezionare prima di ogni utilizzo; non utilizzare se le parti sono allentate o danneggiate.

TECHNICAL SPECIFICATIONS

Modello	FY-1T1C
Dimensioni del prodotto (LxLxA)(mm)	465*460*745
Dimensioni imballo (LxLxA) (mm)	525*455*625
Peso netto (chilogrammo)	Circa 12.7
Peso lordo (chilogrammo)	Circa 15.2

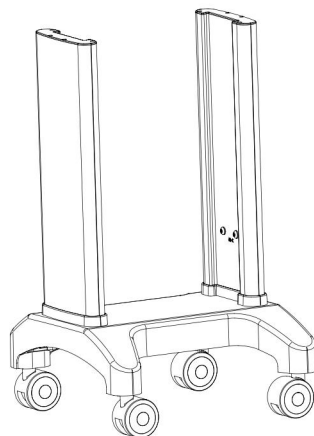
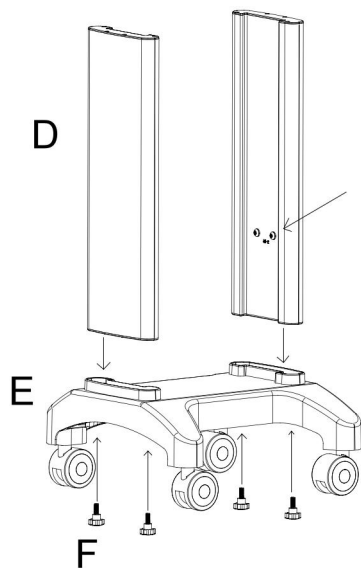
*Prodotti quali specifiche, aspetto e design sono soggetti a modifiche senza preavviso.

PACKAGE CONTENTS

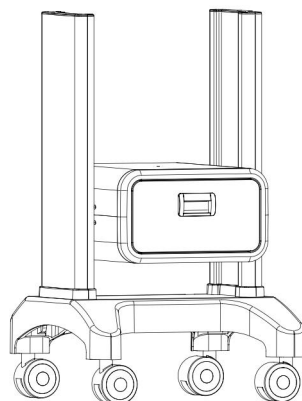
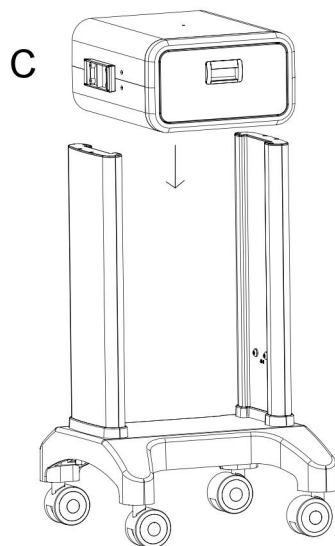
A 	B 	C 
1 PCS	1 PCS	1 PCS
D 	E 	F  M8 X 20
2 PCS	1 PCS	4 PCS

ASSEMBLY STEPS

PASSO 1

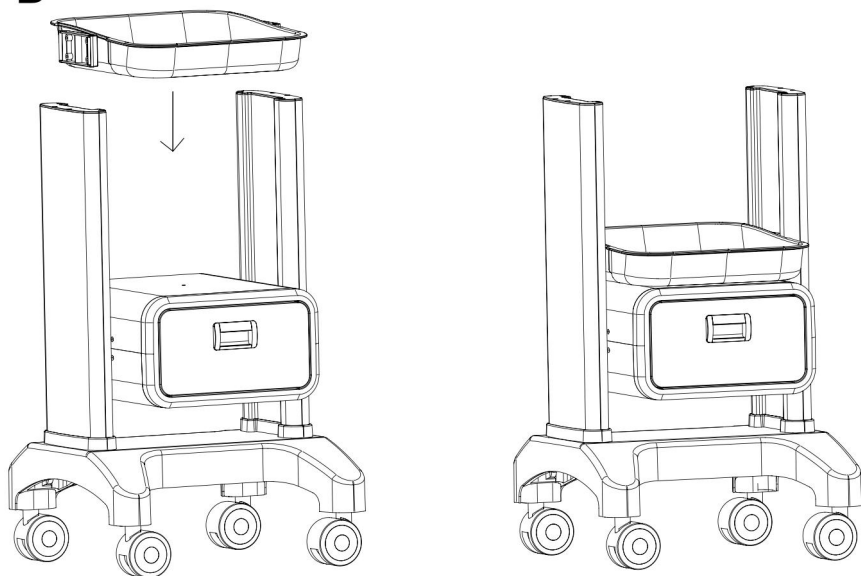


PASSO 2



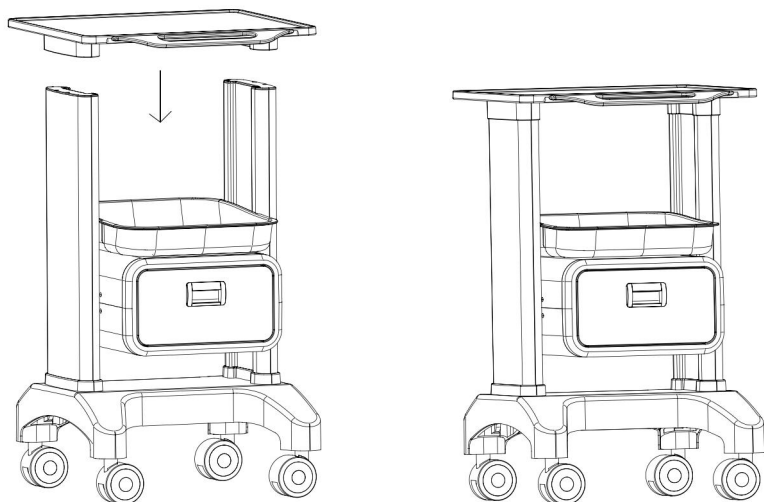
PASSO 3

B

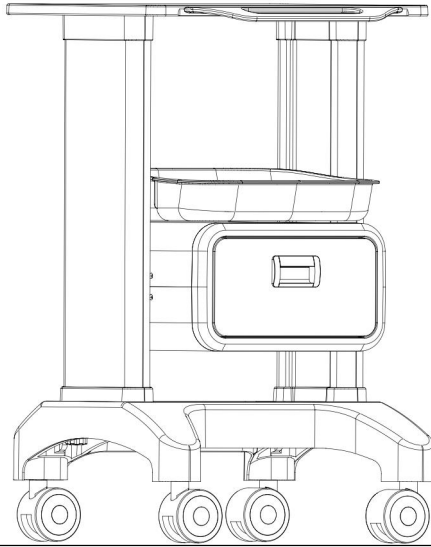


PASSO 4

A



COMPLETION



Produttore: Shanghaimuxinmuyeyouxiangongsi

Indirizzo: Shuangchenglu 803nong11hao1602A-1609shi, baoshanqu, shanghai 200000 CN.

Importato in AUS: SIHAO PTY LTD. 1 ROKEVA STREETEASTWOOD NSW 2122 Australia

Importato negli Stati Uniti: Sanven Technology Ltd. Suite 250, 9166 Anaheim Place, Rancho Cucamonga, CA 91730



E-CrossStu GmbH
Mainzer Landstr.69, 60329 Frankfurt am Main.



YH CONSULTING LIMITED.
C/O YH Consulting Limited Office 147, Centurion House, London Road, Staines-upon-Thames, Surrey, TW18 4AX

VEVOR[®]

TOUGH TOOLS, HALF PRICE

Tecnico Supporto e certificato di garanzia elettronica

www.vevor.com/support