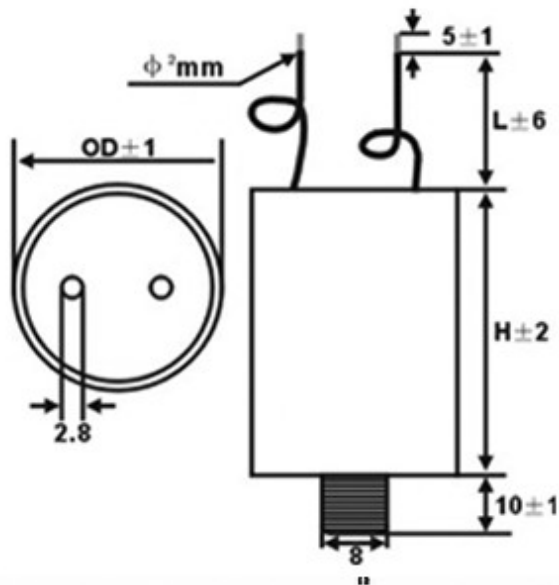


## ■ FEATURES

- Electrical apparatus use metalized film with precisely quality control.
- Low D.F. (dissipation factor), lower temperature rise.
- High I.R. (insulation resistance) small size.
- High safety. High reliability.
- Durability and characteristics of frequency, etc.

## ■ SPECIFICATIONS

- Operating Condition  $-25^{\circ}\text{C} \sim +70^{\circ}\text{C}$
- Capacitance Range  $1\mu\text{F} \sim 100\mu\text{F}$
- Capacitance Tolerance J( $\pm 5\%$ ), K( $\pm 10\%$ )
- Rated Voltage 250V 450V (AC)
- Withstand Voltage  $\text{AC} \geq 2U_R$  2S( $I_{\text{max}} \leq 1.3 I_{\text{N}}$ )
- Dissipation Factor  $\leq 0.004$  1KHz
- Insulation Resistance  $\geq 3000\text{S}$



uF	250VAC		450VAC	
	OD	H	OD	H
1	26	55	26	55
2	26	55	26	55
3	26	55	26	55
5	26	55	34	55
6	26	55	34	55
8	26	55	36	65
10	34	55	36	65
12	34	55	45	75
16	34	55	45	75
20	34	55	45	75
25	36	65	50	85
30	36	65	50	85
40	45	75	45	125
50	45	75	50	125
60	50	85	60	125
80	45	125	60	145
100	50	125	65	145