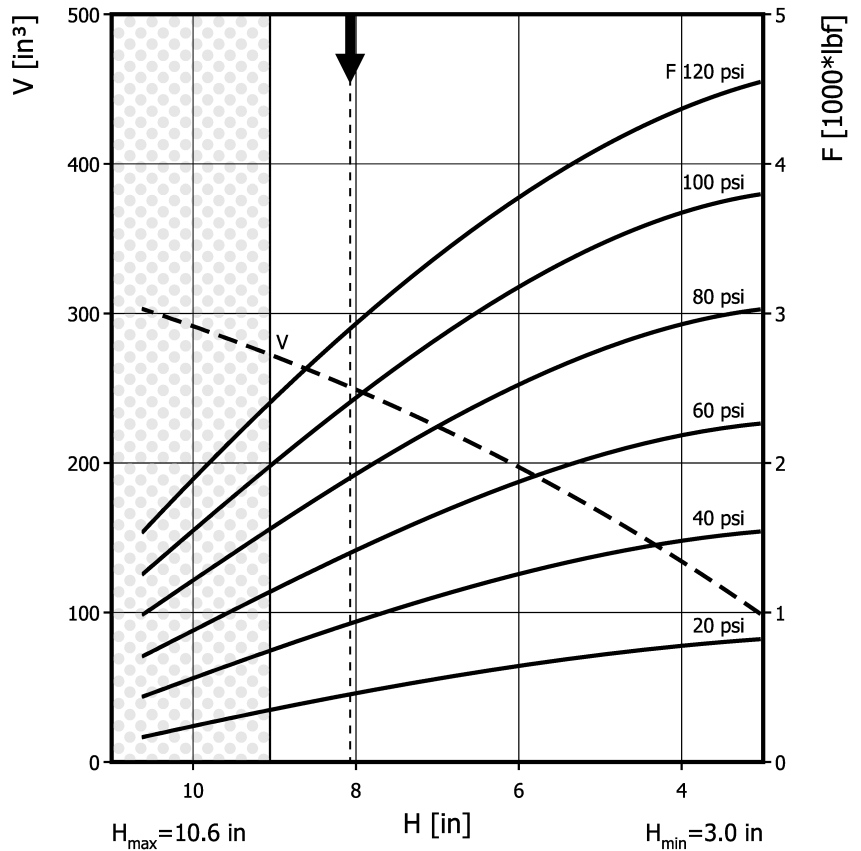
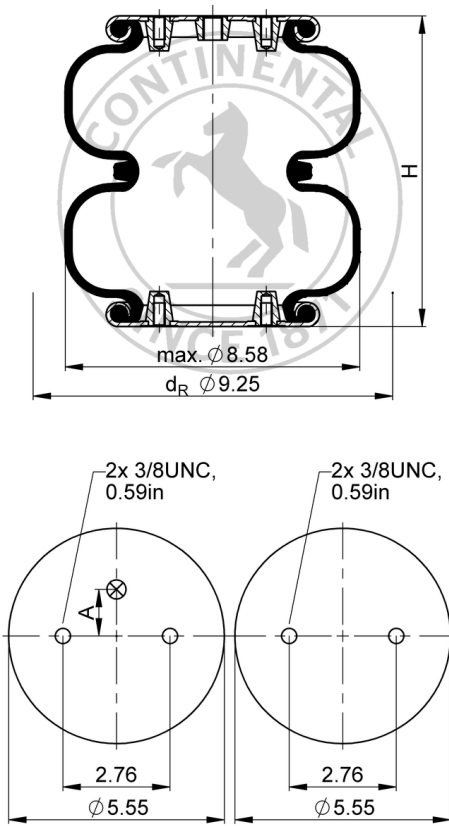


## FD 120-20 CI

## Double Convolution Air Actuator



Use in dotted range >9.06 in. only after consultation with ContiTech
 Recommended height for vibration isolation: 8.07 in.

## Purchase order data

Type	Order No.
rubber bellows only	75596
with crimped plates, 1/4 NPT air inlet A = 0 in. excentrical	74559
with crimped plates, 3/4 NPT air inlet A = 0 in. excentrical	75227

Additional types on request

## Technical data

Min. pressure	0	psi
Return force to min height	≤ 45	lbf
Overall weight	5.1	lb

**Vibration isolation - dynamic characteristic values**

Design height H: recommended 8.07 inch, minimum 7.48 inch

Pressure p	[psi]	40	60	80	100	120	Vol. V [in.³]
Force (Load)	[lbf]	947	1440	1940	2460	2950	251
Spring rate	[lbf/in.]	345	495	638	782	904	
Natural frequency	[Hz]	1.9	1.8	1.8	1.8	1.7	

**Pneumatic application - static characteristic values**

Force F [lbf]

Pressure p	[psi]	40	60	80	100	120	Vol. V [in.³]
Height H [in.]	7.5	1020	1530	2090	2640	3170	240
	6.0	1250	1870	2520	3170	3780	200
	4.5	1440	2130	2850	3580	4230	150



Service instructions  
 3/8-16 UNC: max. 20 lbf ft  
 1/4 NPT: max. 20 lbf ft  
 3/4 NPT: max. 40 lbf ft

**Measuring procedure:** Room temperature / Force-height-data quasistatic / Dynamic data at 1 Hz