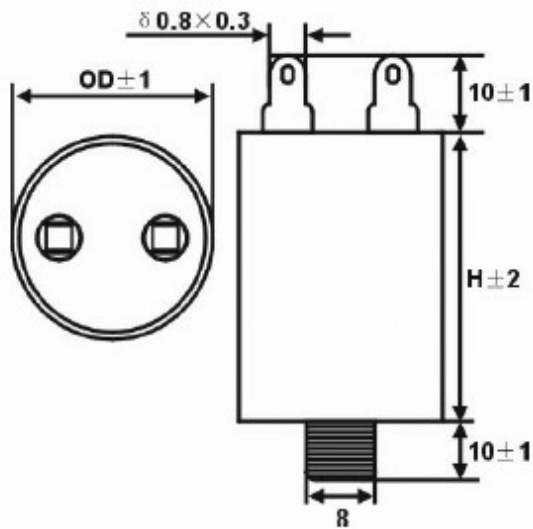


■ FEATURES

- Electrical apparatus use metalized film with precisely quality control.
- Low D.F. (dissipation factor), lower temperature rise.
- High I.R. (insulation resistance) small size.
- High safety. High reliability.
- Durability and characteristics of frequency, etc.

■ SPECIFICATIONS

- Operating Condition $-25^{\circ}\text{C} \sim +70^{\circ}\text{C}$
- Capacitance Range $1\mu\text{F} \sim 100\mu\text{F}$
- Capacitance Tolerance J($\pm 5\%$), K($\pm 10\%$)
- Rated Voltage 250V 450V (AC)
- Withstand Voltage $\text{AC} \geq 2U_R$ 2S($I_{\text{max}} \leq 1.3 I_{\text{N}}$)
- Dissipation Factor ≤ 0.004 1KHz
- Insulation Resistance $\geq 3000\text{S}$



| uF | 250VAC | | 450VAC | |
|-----|--------|-----|--------|-----|
| | OD | H | OD | H |
| 1 | 26 | 55 | 26 | 55 |
| 2 | 26 | 55 | 26 | 55 |
| 3 | 26 | 55 | 26 | 55 |
| 5 | 26 | 55 | 34 | 55 |
| 6 | 26 | 55 | 34 | 55 |
| 8 | 26 | 55 | 36 | 65 |
| 10 | 34 | 55 | 36 | 65 |
| 12 | 34 | 55 | 45 | 75 |
| 16 | 34 | 55 | 45 | 75 |
| 20 | 34 | 55 | 45 | 75 |
| 25 | 36 | 65 | 50 | 85 |
| 30 | 36 | 65 | 50 | 85 |
| 40 | 45 | 75 | 45 | 125 |
| 50 | 45 | 75 | 50 | 125 |
| 60 | 50 | 85 | 60 | 125 |
| 80 | 45 | 125 | 60 | 145 |
| 100 | 50 | 125 | 65 | 145 |