

# TELESCOPIC CYLINDER

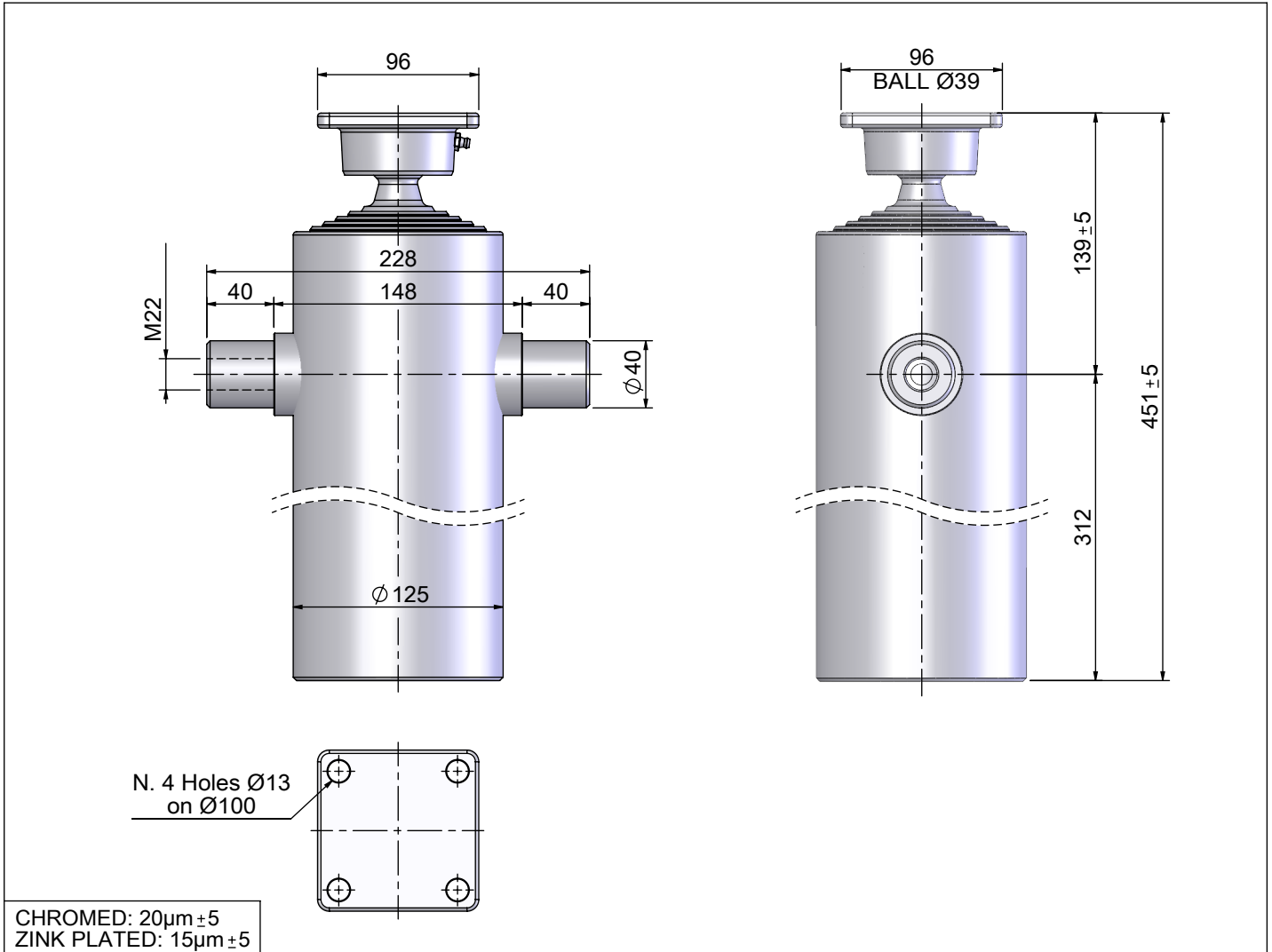
TYPE : BI

SERIE : Ø125/5

CYL. TYPE BI 5/1460/125 - D=139 [12ALS SAR]

For Tipping Weight See Advices Below

## Technical Characteristics



### Cylinder stages

Ø Stage	Ø032	Ø045	Ø060	Ø075	Ø090	Ø105	Ø120	Ø140	Ø160						
Thrust at 150 Bar [Tons]	---	2.40	4.20	6.60	9.50	13.00	---	---	---						
Stages of cylinder		●	●	●	●	●									

### Specifications

Stages number	05
Cylinder Stroke [ mm ]	1460
Cylinder weight only [ kgs ]	31.35
Working volume [ Ltrs ]	7.90
Max Working pressure [ Bar ]	200

### Brackets and Accessories

Closed brackets [ 2 Units per cylinder ]	SC#CSSIN	1.10 [Kgs] x 2=
Open brackets [ 2 Units per cylinder ]	SSA#C	0.80 [Kgs] x 2=
Cradle Type	CU#AB	7.35 [Kgs] x 1=

### Technical Information

<input type="checkbox"/> Oil	: See oil specification sheet
<input type="checkbox"/> Tipping weight	: Net weight + Payload

### Recommendation

<input type="checkbox"/> This Mariz cylinder is designed as a lifting device only
<input type="checkbox"/> It must not be used as a structural member or be subject to side loads
<input type="checkbox"/> Pump flow in consultation with Mariz engineering department

### Advices

All our cylinders are manufactured to suit the particular application in the differing world markets/climate. Should you require details of the exact lifting capacity of the cylinder that has been selected for your application/veichle then please contact our technical department who will be only pleased to explain or advise.

MARIZ SRL

MARIZ IS CONSTANTLY ENGAGED IN IMPROVING ITS PRODUCTS AND THEREFORE RESERVES THE RIGHT TO MODIFY WITHOUT ANY NOTICE CHARACTERISTICS SHOWN  
Viale dell'Industria, 32 • I-35014 FONTANIVA (PD) ITALY • Tel. +39 049 5942402 Fax +39 049 5942212 • www.mariz.com • info@mariz.com

Edit.: 01 • 2015

Rev.: 00 • 2015

Date: 10/04/2018

Pag.: BI 5.1460.125\_03