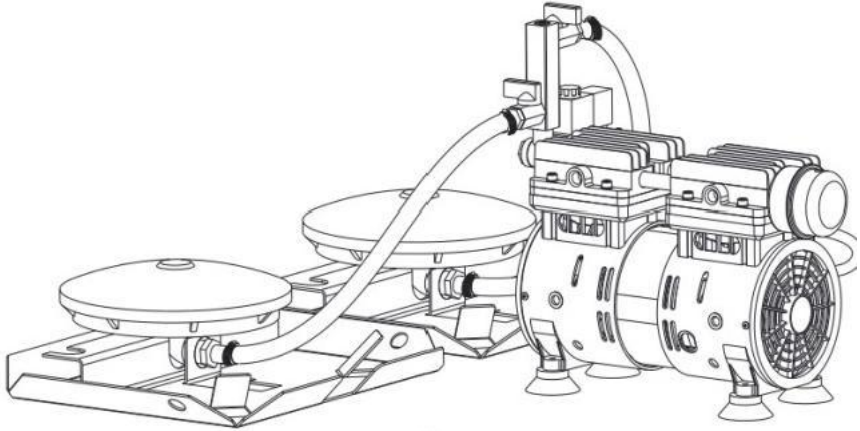


SUBSURFACE POND AERATION SYSTEM

USER MANUAL

SUBSURFACE POND AERATION SYSTEM

MODEL:OLF400D





Thank you very much for choosing this product. Please read all of the instructions before using it. The information will help you achieve the best possible results.

	Warning-To reduce the risk of injury, user must read instructions manual carefully.
	This product is subject to the provision of European Directive 2012/19/EC. The symbol showing a wheeled bin crossed through indicates that the product requires separate refuse collection in the European Union. This applies to the product and all accessories marked with this symbol. Products marked as such may not be discarded with normal domestic waste, but must be taken to a collection point for recycling electrical and electronic devices.

INSTRUCTIONS

General Power Tool Safety

WARNING:

Read all safety warnings, instructions, illustrations, and specifications that come with this compressor. Failure to follow all instructions listed below could result in electric shock, fire, and/or severe injury. Save all warnings and instructions for future reference.

Workspace Safety

Keep the work area clean and well-lit. Cluttered or dark areas are prone to accidents. Air compressors can't be exposed to an explosive environment, such as an environment with flammable liquid, gas, or dust.

Electrical Safety

- The air compressor plug must match the socket, and do not modify the plug in any way.

- Do not expose the air compressor to rain or humidity, water entering the air compressor will increase the risk of electric shock
- Do not abuse the power cord, keep the power cord away from heat, oil, sharp edges, or moving parts. Damaged or tangled wires will increase the risk of electric shock
- Please ensure that the socket has an effective grounding, which can avoid the risk of electric shock.

Personal Safety

- Be vigilant when operating the air compressor, pay attention to what you are doing, use commonsense, and do not use power tools when tired or under the influence of drugs, alcohol, or drugs. Serious personal injury may result from momentary inattention while operating the power tool
- To prevent accidental activation, make sure the switch is in the off position before connecting the power supply.

Precautions For Use

If the switch cannot be switched on and off, do not use the air compressor. Any power tool that cannot be controlled by the switch is dangerous and must be repaired.

Before making any adjustments, replacing accessories, or storing the compressor, disconnect the power plug, such precautionary safety measures reduce the risk of an accidental start-up.

Do not allow anyone who is not familiar with the air compressor or these instructions to operate it

Maintain the air compressor and accessories, and check whether the moving parts are dislocated or stuck, or the parts are damaged, etc., which may affect the operation of the power tool. If there is any damage, please repair the air compressor before use. Many accidents are caused by improper power supply maintenance.

ON/OFF switch to turn on or turn off mode:

- 1) Press "ON/AUTO/OFF" there is an indicator in the display show "ON" or "ON AUTO" or "OFF" or "AUTO OFF".
- 2) Press the indicator to "ON" the time will give a permanent "switch on output"
- 3) Press the indicator to "ON AUTO" or "AUTO OFF" the timer will be switched on and switched off during the setted time.
- 4) Press the indicator to "OFF" the timer is turned off.

When the following situations occurs:

- 1).When timer does not power on or off according to the settings,check whether the settings are correct,or reset;
- 2)If it is the right time to turn on or off but the timer starts to work in advance or delay in shutting down there may be multiple sets of switch programs,please check whether the settings are correct or reset.
- 3).If the above-mentioned two points are right,but the timer still works incorrectly,please check and adjust the mode.
- 4).If the timer does not display or displays blurred,please charge the timer.
- 5).If it still fails when the above situations are ruled out please contact with us or the dealer to solve.

WARNING: The diffuser can not be directly thrown into the pond or water to prevent the hose from falling off or the diffuser from overturning.It is recommended to put it into the water gently.

PRODUCT PARAMETER

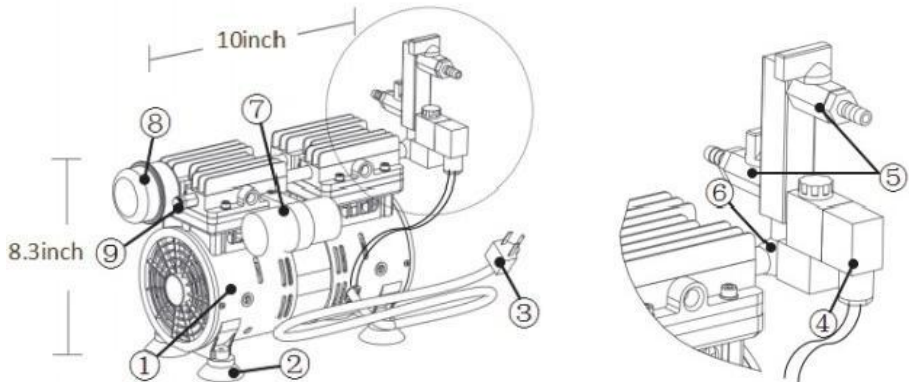
2.1 Product Specification

Model SPEC.	OLF400D-A	OLF400D-B	OLF400D-C
Voltage (V/Hz)	220~240V/50Hz		
Rated power	550W		
Max.flow	5.2CFM		
Length of wire	1.5m		
Max.water area	/	1 acre	3 acres
Max.water depth	15.2m		

Model Parts	OLF400D-A	OLF400D-B	OLF400D-C
Air compressor	1	1	1
Airline	×	1	2
Airflow diffuser	×	1	2
Hose clamp	2	2	4
Air Filter	1	1	1
Timer	1	1	1
Pressure relief valve	1	1	1
Check valve	1	1	1
Solenoid valve	1	1	1
Joints distributor	1	1	1
Air flow valve	1	1	2
Stainless Base	×	1	2
Users' Manual	1	1	1

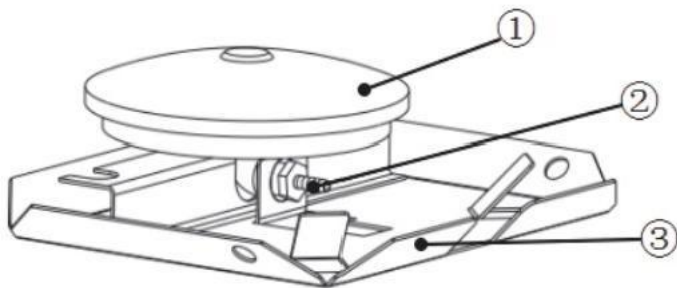
2.2 System components

1) Oil-free air compressor



- ① High efficiency, silent, oil-free, continuous-duty rocking piston compressor.
- ② Rubber compressor mounts reduce noise and vibration for silent operation.
- ③ 3x1.0mm2x1.5m plug power cord.
- ④ The solenoid valve can better protect the motor from starting with a load.
- ⑤ Single/double diffuser airflow valve
- ⑥ The check valve can avoid the risk of water vapor backflow.
- ⑦ Capacitor that works as a part of the compressor. Do not operate the electrical connection of it.
- ⑧ Air Filter maximizes the life of the compressor
- ⑨ Pressure relief valve safeguards from back pressure.

2) Airflow diffuser



- ① EPDM non-stick 8"membrane difuser sticks provide the synergy of air stones while being virtually maintenance-free.
- ② Stainless steel connector for the airline and the diffuser plate.
- ③ L13.6xW11.6*square stainless steel base for the diffuser's stability

3) Airline

The 3/8" 100 ft lead-free airline is made of durable PVC materials. Fish hook is resistant and kink-free.

The connector kits that you need to connect the compressor to diffuser.



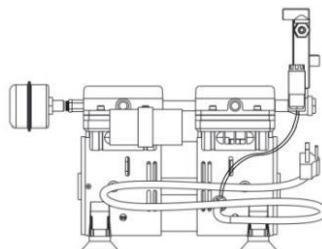
2.3 Installation

Step1:

Find a place for the compressor to be ventilated and sheltered from rain,sunshine,also less dust.



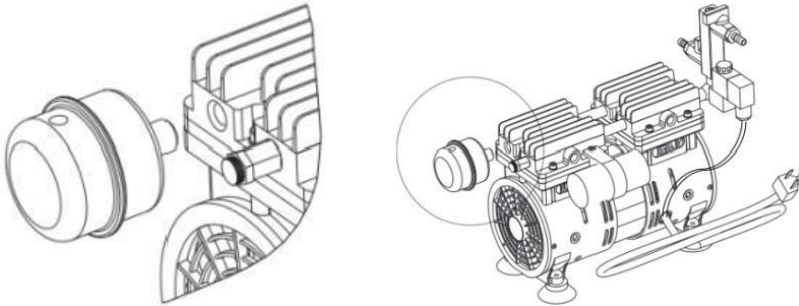
Air filter



Air Compressor

Step2:

Screw the air filter into the compressor right near the pressure-relief valve.(Use Teflon tape if needed.)



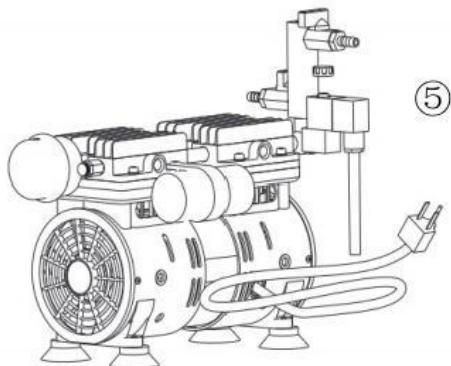
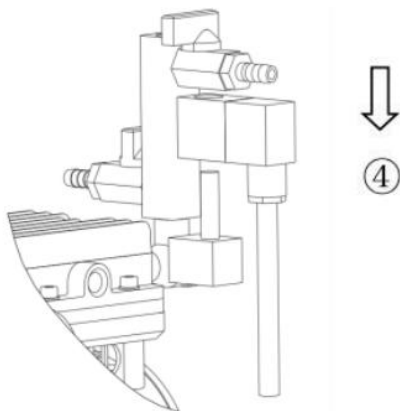
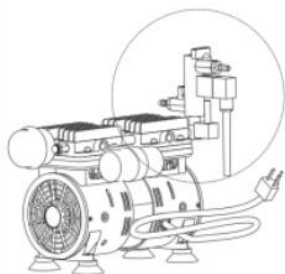
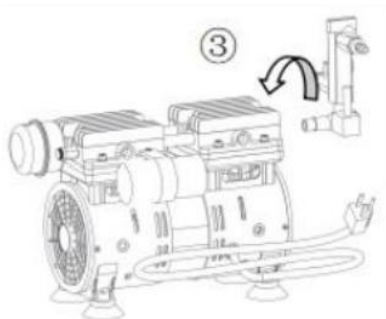
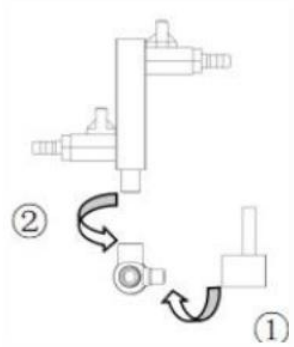
Step3:

Use your shovel to dig a trench from the shelter to the pond.The minimum depth of the trench should not be less than 8 inches to protect the air pipe.We recommend marking utility lines before starting excavation.

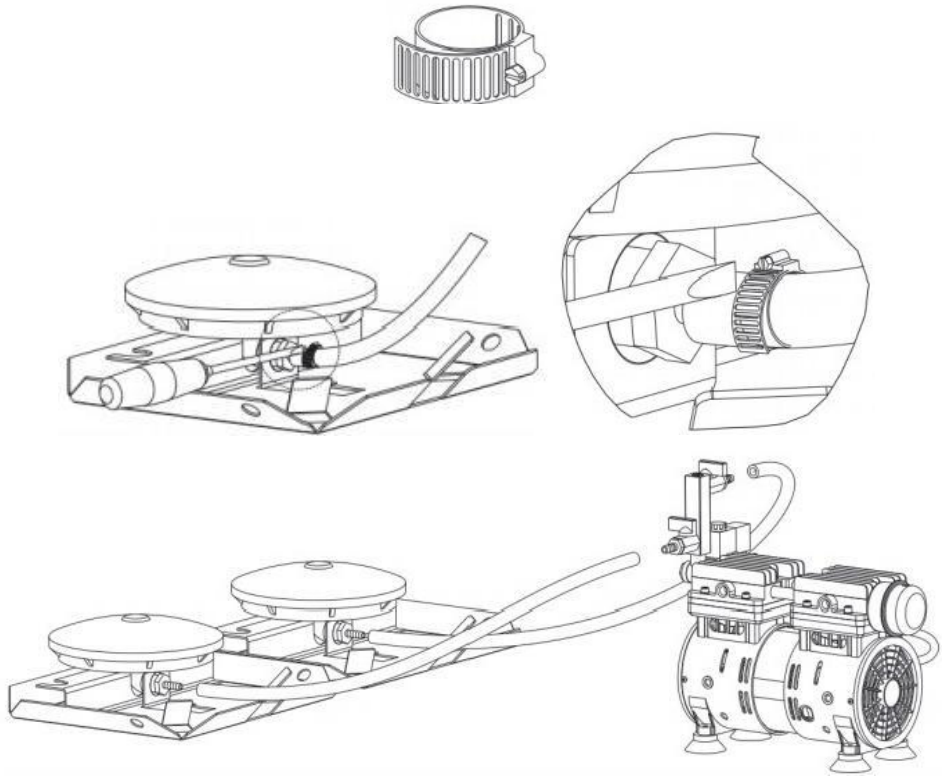
If the length of the standard air tube is not enough,we can provide a longer air tube.

Step4:

Take the accessories attached.tighten the solenoid valve base and the 1/8 interface of the check valve,then tighten the square tube with the 1/4 thread,and then tighten the assembly with the exhaust hole of the air compressor cylinder head After the above actions are completed thread the molded shell of the solenoid valve onto the base and tighten it with a black screw cap.Note that all threaded connections need to use the raw material tape attached to wrap the threads to prevent poor sealing.



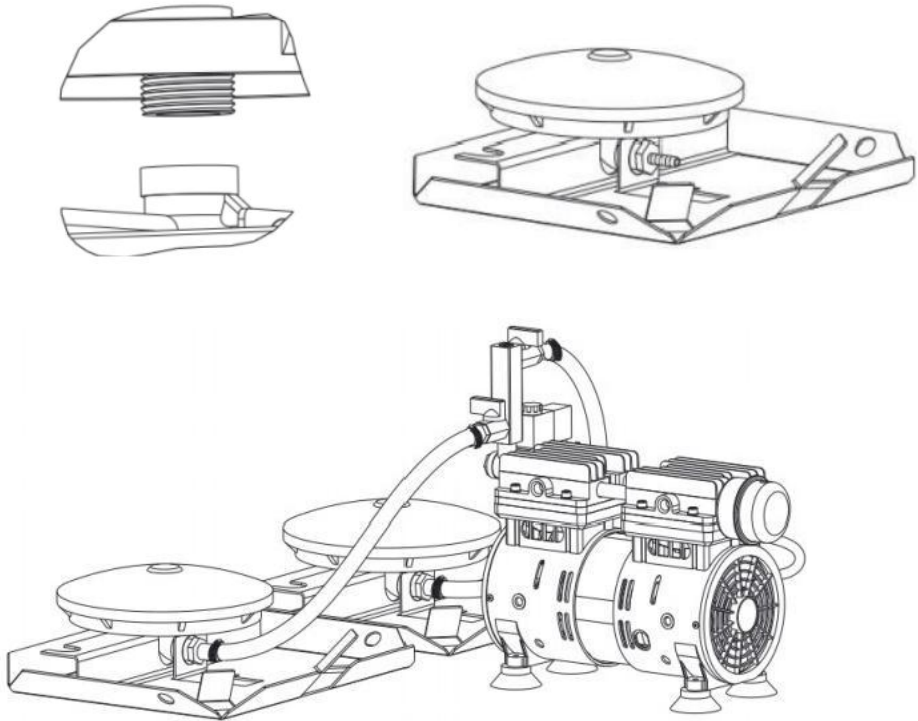
Step5: Connect the two ends of the air pipe with the airflow valve on the air compressor and the pagoda connector on the aeration disk, and lock and fix them with a hose clamp.



Step6:Screw and fix the aeration disk on the stainless steel base.



8"EPDM Diffuser plate



2.4 Operation

Please check the following items at least once a day during operation.

- 1) Is there any abnormal sound;
- 2) Whether the pump is abnormally hot;
- 3) Whether the exhaust is normal;
- 4) Is the muffler clogged?

The machine can work after the power is turned on. The aeration system is equipped with timers for users to set the opening and closing mode of the machine according to the actual climate.

Timer:

Introduction: The timer can set the opening and closing time independently to save energy and reduce consumption and improve the service life of the motor. The user can regularly adjust the working time of the aeration system according to the

weather environment. For example, in the rainy season, if the pond is oxygen deficient the aeration system will be turned on for 2 hours and turned off for half an hour to help the pond oxygenate.

Min. setting time is 1 sec/min. It can set 8/20 programs of on and off every day. The function mode is divided into normal open state and timing state.

Button instructions:

"CLOCK" function-key, exit the current setting.

"SET UP (PROG)": set 8/20 groups of on and off.

"MODE": control mode switching "SEC" set the seconds.

"HOUR": set the hours.

"WEEK" set the weeks.

"MINUTE": set the minutes.

"RESET": reset the groups of on and off.

Time Setting:

The correct time of day and day of week must be set prior to using the timer for the first time.

- 1) .Press "CLOCK" and "WEEK" to set the day of the week. Press "WEEK" for more than 2 seconds, it can be adjusted rapidly.
- 2) .Press "CLOCK" and "HOUR" to set the hour of the day. Press "HOUR" for more than 2 seconds, it can be adjusted rapidly.
- 3) .Press "CLOCK" and "MN" to set minutes. Press "MIN" for more than 2 seconds, it can be adjusted rapidly.
- 4) Press "CLOCK" and "SEC" to set the day of the second. Press "SEC" for more than 2 seconds, it can be adjusted rapidly.

Program Setting:

There are 8/20 possible program combinations available.

- 1) Press "SET UP (PROG)" to enter program mode. The display will show a "10N" in the left side of display.
- 2) Press "HOUR" "MN", and "WEEK" to program the correct day and time when you desire the timer should turn on.

- 3) Press "SET UP(PROG)" to set the timer for "OFF" time and day for "1OFF".
- 4) Press "HOUR""MIN" and "WEEK" to program the correct day and time.
- 5) If needed, press "SET UP(PROG)" to advance the second on/off setting.

ON/OFF switch to turn on or turn off mode:

- 1) Press "ON/AUTO/OFF" there is an indicator in the display show "ON" or "ON AUTO" or "OFF" or "AUTO OFF".
- 2) Press the indicator to "ON" the time will give a permanent "switch on output".
- 3) Press the indicator to "ON AUTO" or "AUTO OFF" the timer will be switched on and switched off during the set time.
- 4) Press the indicator to "OFF" the timer is turned off.

When the following situations occurs:

- 1) When timer does not power on or off according to the settings, check whether the settings are correct, or reset.
- 2) If it is the right time to turn on or off but the timer starts to work in advance or delay in shutting down, there may be multiple sets of switch programs, please check whether the settings are correct or reset.
- 3) If the above-mentioned two points are right but the timer still works incorrectly, please check and adjust the mode.
- 4) If the timer does not display or displays blurred, please charge the timer.
- 5) If it still fails when the above situations are ruled out, please contact with us or the dealer to solve.

WARNING: The diffuser can not be directly thrown into the pond or water to prevent the hose from falling off or the diffuser from overturning. It is recommended to put it into the water gently. **MAINTENANCE**

MAINTENANCE

Pond Aeration Systems are designed for low-maintenance and require minimal scheduled maintenance. Keep the room cool, dry and ventilated for the compressor.

- ◆ Always unplug system before performing any maintenance or troubleshooting

◆ Always unplug system and refer servicing to a qualified electrician when cord is damaged or frayed,compressor,power control,compressor fan,or other electrical components are producing unusual noises or odors.

WARNING: Compressors are equipped with a thermal overload switch If temperature becomes high enough to trip the overload,the compressor will shut down.It will then automatically start up when temperature decreases as long as power is applied.

ELECTRIC AIR COMPRESSOR WARNINGS

Know your air compressor and read the operating manual carefully to understand its applications and limitations.as well as specific potential hazards associated with this product Do not alter or modify the original design or functionality of the device.Misuse and improper handling can cause injury.

- Always follow all safety rules recommended by air compressors and accessory manufacturers
- Do not start under pressure.
- When used to inflate,do not over inflate,follow all manufacturer's instructions for inflatable items.

-Inspect the air hose and fittings for wear or damage before each use,and make sure the connections secure.Do not use it if it is leaking,keep the hose away from sharp objects,chemical spills,oils,solvents,and wet floors.

-Make sure the windpipe is clear of obstructions,winding the windpipe can cause loss of balance or footing and may damage.

- Do not attempt to block or block the air outlet during operation.

EVERY 3-6 MONTHS -Air Filter:Clean/replace air filter.

Pressure Relief Valve:Check to ensure air is not escaping from valve and replace if needed.

EVERY 24-36 MONTHS -Airflow diffuser: We recommend inspecting and/or cleaning the Airflow diffuser every 24-36 months.

Troubleshooting

Faults	Poesible Reasons	Processing Method
--------	------------------	-------------------

<p>The motor does not rotate and there is no sound</p>	<ol style="list-style-type: none"> 1.No power supply 2.The fuse is blown 3.Overload protector is in a protection state 4 The motor stator winding is burnt 	<ol style="list-style-type: none"> 1.Check the plug and switch 2.Replace the fuse 3.The motor will restart after cooling 4.Replace the stator
<p>The motor has current sound but cannot operate or the speed is very slow.</p>	<ol style="list-style-type: none"> 1.The voltage is too low 2.The capacitance value of starting and running capacitor drops or is damaged 3.Motor coil short-circuited or open-circuited 4.The one-way valve or air pressure switch is damaged 	<ol style="list-style-type: none"> 1.Check the voltage,no less than 10% of the rated voltage 2.Check or replace 3.Contact a reliable service center 4.Contact the reliable service center
<p>Overload and the protector cut off the power repeatedly</p>	<ol style="list-style-type: none"> 1.The voltage is too low 2.Poor ventilation and high temperature 	<ol style="list-style-type: none"> 1.Check the voltage,no less than 10% of the rated yotag 2.Place the air compressor in a well-ventilated place
<p>The air compressor keeps running.</p>	<ol style="list-style-type: none"> 1.The air pressure switch is damaged 2.Leakage 	<ol style="list-style-type: none"> 1.Replace the air pressure switch 2.Check and eliminate
<p>Air compressor vibration</p>	<ol style="list-style-type: none"> 1.Loose fasteners 2.The valve plate is damaged 3.The supporting foot pad is damaged or missing 	<ol style="list-style-type: none"> 1.Check and eliminate 2.Inspection and replacement 3.Replace the foot pad

<p>The air supply of the air compressor is slow or cannot reach the specified pressure.</p>	<ol style="list-style-type: none"> 1.The drain valve is open 2.Cold blockage of air filter 3.The pipeline leaks 4.The valve plate has a poor function or foreign matters or air leakage 5.Excessive wear of piston ring and cylinder 	<ol style="list-style-type: none"> 1.Tighten the drain valve 2.Clean or replace the filter element 3.Check and eliminate 4.Cleaning or replacement 5.Replace with new products
<p>Extraordinary sound</p>	<ol style="list-style-type: none"> 1.Fasteners are loose or damaged 2.Excessive wear of piston ring and cylinder 3.Foreign matters enter the air compressor 4.Large crank swing 	<ol style="list-style-type: none"> 1.Check and replace 2.Replace with new products 3.Check and eliminate 4.Check and replace

Manufacturer: Shanghai muxinmuyeyouxiangongsi

Address: Shuangchenglu 803nong11hao1602A-1609shi, baoshanqu, shanghai 200000 CN.

EC REP: E-CrossStu GmbH.

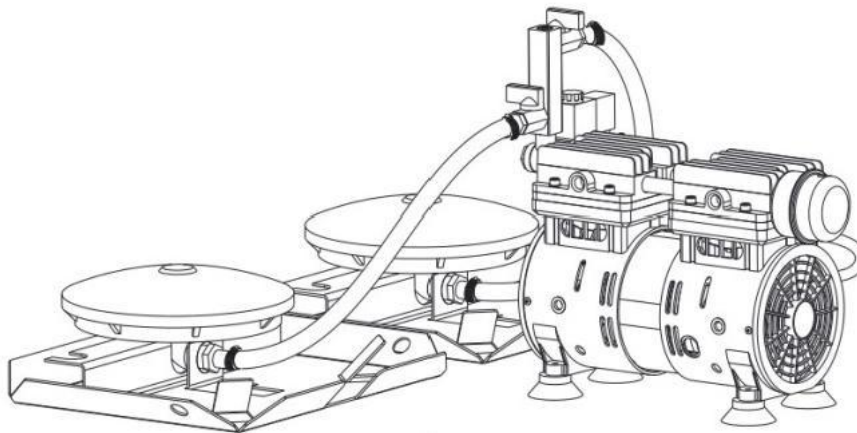
Mainzer Landstr.69, 60329 Frankfurt am Main.

UNTERFLÄCHEN-TEICHBELÜFTUNGSSYSTEM

BENUTZERHANDBUCH

**UNTER DER OBERFLÄCHE TEICH
BELÜFTUNGSSYSTEM**

MODELL: OLF400D





Vielen Dank, dass Sie sich für dieses Produkt entschieden haben. Bitte lesen Sie alle

Lesen Sie sich die Gebrauchsanweisung vor der Anwendung durch. Die Informationen helfen Ihnen, die bestmöglichen Ergebnisse zu erzielen.

	<p>Warnung: Um das Verletzungsrisiko zu verringern, muss der Benutzer die Bedienungsanleitung sorgfältig lesen.</p>
	<p>Dieses Produkt unterliegt den Bestimmungen der europäischen Richtlinie 2012/19/EU. Das Symbol einer durchgestrichenen Mülltonne weist darauf hin, dass das Produkt in der Europäischen Union einer getrennten Müllentsorgung unterliegt. Dies gilt für das Produkt und alle mit diesem Symbol gekennzeichneten Zubehörteile. Produkte, die als solche gekennzeichnet sind, dürfen nicht mit dem normalen Hausmüll entsorgt werden, sondern müssen an einer Sammelstelle für das Recycling von Elektro- und Elektronikgeräten abgegeben werden.</p>

elektronische **Geräte**.ANLEITUNG

Allgemeine Sicherheit für Elektrowerkzeuge

WARNUNG:

Lesen Sie alle Sicherheitswarnungen, Anweisungen, Abbildungen und Spezifikationen, die diesem Kompressor beiliegen. Die Nichtbeachtung aller unten aufgeführten Anweisungen kann zu Stromschlägen, Bränden und/oder schweren Verletzungen führen. Bewahren Sie alle Warnungen und Anweisungen für zukünftige Referenz.

Sicherheit am

Arbeitsplatz Halten Sie den Arbeitsbereich sauber und gut beleuchtet. Unordentliche oder dunkle Bereiche sind unfallgefährdet. Luftkompressoren dürfen keiner explosiven Umgebung, wie etwa einer Umgebung mit brennbaren Flüssigkeiten, Gasen oder Staub, ausgesetzt werden.

Elektrische Sicherheit

Der Stecker des Luftkompressors muss in die Steckdose passen und darf nicht verändert werden. Trotzdem.

• Setzen Sie den Luftkompressor nicht Regen oder Feuchtigkeit aus, da sonst Wasser in die Luft eindringen kann.

Kompressor erhöht das Risiko eines Stromschlags

• Missbrauchen Sie das Netzkabel nicht, halten Sie das Netzkabel fern von Hitze, Öl, scharfen

Kanten oder bewegliche Teile. Beschädigte oder verhedderte Kabel erhöhen das Risiko eines elektrischen Schock

• Bitte stellen Sie sicher, dass die Steckdose eine wirksame Erdung hat, um zu verhindern, dass

Es besteht die Gefahr eines Stromschlags.

Persönliche Sicherheit

• Seien Sie wachsam, wenn Sie den Luftkompressor bedienen, achten Sie darauf, was Sie

verwenden Sie Ihren gesunden Menschenverstand und benutzen Sie keine Elektrowerkzeuge, wenn Sie müde sind oder unter

Einfluss von Drogen, Alkohol oder Drogen. Schwere Verletzungen können die Folge sein

kurzzeitige Unachtsamkeit beim Bedienen des Elektrowerkzeugs

• Um eine versehentliche Aktivierung zu verhindern, stellen Sie sicher, dass sich der Schalter in der Aus-Position befindet.

bevor Sie die Stromversorgung anschließen.

Vorsichtsmaßnahmen für die Anwendung

Wenn der Schalter nicht ein- und ausgeschaltet werden kann, verwenden Sie den Luftkompressor nicht.

Elektrowerkzeug, das nicht über den Schalter gesteuert werden kann, ist gefährlich und

repariert.

Bevor Sie Einstellungen vornehmen, Zubehörteile austauschen oder das Gerät lagern,

Kompressor, ziehen Sie den Netzstecker, solche Vorsichtsmaßnahmen

Reduzieren Sie das Risiko eines unbeabsichtigten Starts.

Erlauben Sie niemandem, der mit dem Luftkompressor oder diesen nicht vertraut ist,

Anweisungen zur Bedienung

Warten Sie den Luftkompressor und das Zubehör und prüfen Sie, ob die beweglichen Teile

sind verschoben oder steckengeblieben, oder die Teile sind beschädigt, usw., was sich auf die

Betrieb des Elektrowerkzeugs. Wenn es Schäden gibt, reparieren Sie bitte den Luftkompressor

vor dem Gebrauch. Viele Unfälle sind auf unsachgemäße Wartung der Stromversorgung zurückzuführen.

EIN/AUS-Schalter zum Ein- bzw. Ausschalten des Modus:

1) Drücken Sie "ON/AUTO/OFF" es erscheint eine Anzeige im Display mit der Anzeige "ON" oder "ON AUTO" oder „OFF" oder „AUTO OFF".

2).Drücken Sie den Indikator auf "ON", die Zeit wird einen dauerhaften "Switch-On-Ausgang" geben

3).Drücken Sie die Anzeige auf "ON AUTO" oder "AUTO OFF", der Timer wird eingeschaltet

und während der eingestellten Zeit ausgeschaltet.

4).Drücken Sie den Indikator auf „OFF“, der Timer wird ausgeschaltet.

Wenn die folgenden Situationen eintreten:

- 1). Wenn der Timer sich nicht entsprechend den Einstellungen ein- oder ausschaltet, prüfen Sie, ob die Einstellungen sind korrekt oder zurückgesetzt;
- 2) Wenn es die richtige Zeit zum Ein- oder Ausschalten ist, aber der Timer bereits im Voraus zu arbeiten beginnt oder Verzögerung beim Herunterfahren kann es mehrere Sätze von Switch-Programmen, bitte Überprüfen Sie, ob die Einstellungen korrekt oder zurückgesetzt sind.
- 3). Wenn die beiden oben genannten Punkte richtig sind, aber der Timer immer noch funktioniert falsch, bitte überprüfen und passen Sie den Modus an.
- 4). Wenn der Timer nicht angezeigt wird oder die Anzeige verschwommen ist, laden Sie den Timer bitte auf.
- 5). Wenn es immer noch fehlschlägt, wenn die oben genannten Situationen ausgeschlossen sind, kontaktieren Sie uns bitte oder der Händler zu lösen.

ACHTUNG: Der Diffusor darf nicht direkt in den Teich oder ins Wasser geworfen werden.

Verhindern Sie, dass der Schlauch herunterfällt oder der Diffusor umkippt. Es wird empfohlen um es vorsichtig ins Wasser zu legen.

PRODUKTPARAMETER

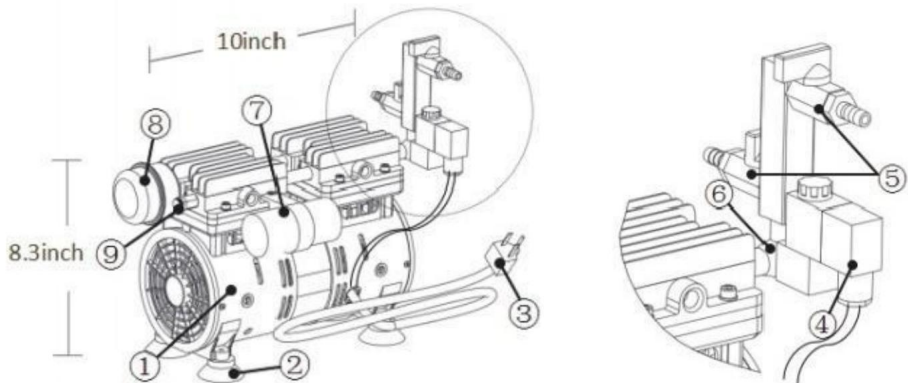
2.1 Produktspezifikation

Modell SPEZ.	OLF400D-A	OLF400D-B	OLF400D-C
Spannung (V/Hz)	220~240 V/50 Hz		
Nennleistung	550 W		
Max. Durchfluss	5,2 CFM		
Kabellänge	1,5 m		
Max. Wasserfläche	/	1 Morgen	3 Hektar
Max. Wassertiefe	15,2 m		

Modell Ersatzteile	OLF400D-A	OLF400D-B	OLF400D-C
Luftkompressor	1	1	1
Fluggesellschaft	×	1	2
Luftstromdiffusor	×	1	2
Schlauchschele	2	2	4
Luftfilter	1	1	1
Timer	1	1	1
Überdruckventil	1	1	1
Rückschlagventil	1	1	1
Magnetventil	1	1	1
Gelenkverteiler	1	1	1
Luftstromventil	1	1	2
Edelstahlsockel	×	1	2
Benutzerhandbuch	1	1	1

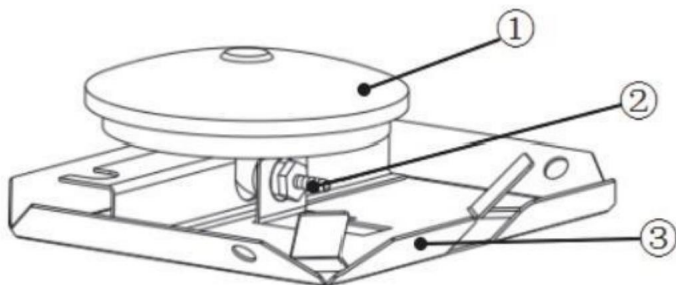
2.2 Systemkomponenten

1) Ölfreier Luftkompressor



- 1) Hocheffizienter, geräuscharmer, ölfreier Pendelkolbenkompressor für den Dauerbetrieb.
- 2) Gummilager des Kompressors reduzieren Lärm und Vibrationen für einen geräuschlosen Betrieb.
- 3) Netzkabel mit Stecker 3 x 1,0 mm² x 1,5 m.
- 4) Das Magnetventil kann den Motor besser vor dem Anlaufen unter Last schützen.
- 5) Einzel-/Doppel-Diffusor-Luftstromventil
- 6) Das Rückschlagventil kann das Risiko eines Wasserdampfrückflusses vermeiden.
- 7) Kondensator, der als Teil des Kompressors arbeitet. Betreiben Sie den elektrischen Verbindung davon.
- 8) Luftfilter maximiert die Lebensdauer des Kompressors
- 9) Überdruckventil schützt vor Gegendruck.

2) Luftstromdiffusor



- 10 EPDM-Antihaft-Diffusorstäbe mit 8 Zoll Membran sorgen für die Synergie von Luftsteinen und ist dabei praktisch wartungsfrei.
- 11 Edelstahlanschlussstück für die Luftleitung und die Diffusorplatte.
- 12 L13,6xB11,6*quadratischer Edelstahlsockel für die Stabilität des Diffusors

3) Flugesellschaft

Die 3/8"100 ft bleifreie Luftleitung besteht aus langlebige PVC-Materialien. Angelhaken ist widerstandsfähig und knickfrei.

Die Anschlusskits, die Sie zum Anschluss benötigen vom Kompressor zum Diffusor.



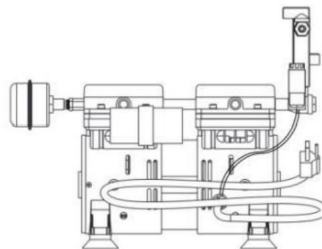
2.3 Installation

Schritt 1:

Suchen Sie einen Ort, an dem der Kompressor belüftet und geschützt ist vor Regen, Sonnenschein, auch weniger Staub.



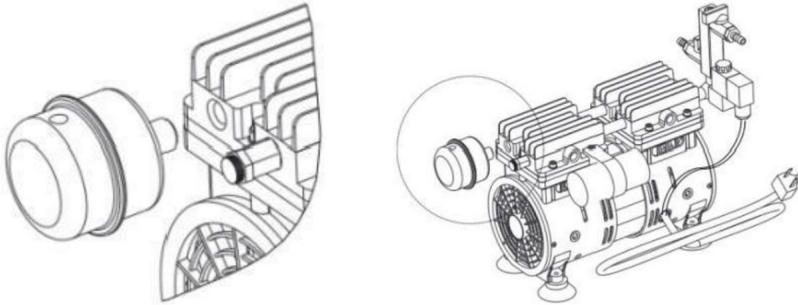
Luftfilter



Luftkompressor

Schritt 2:

Schrauben Sie den Luftfilter direkt neben dem Überdruckventil in den Kompressor. (Verwenden Sie bei Bedarf Teflonband.)



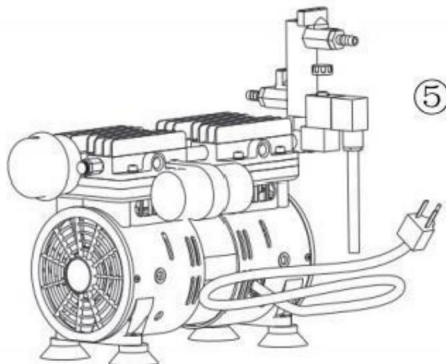
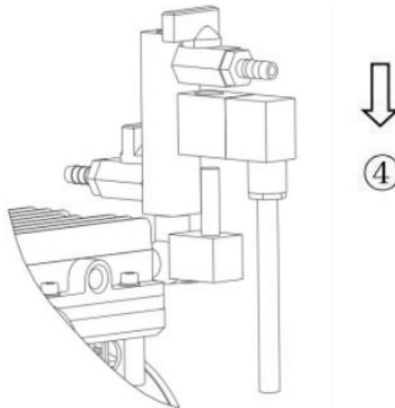
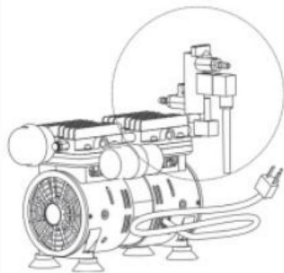
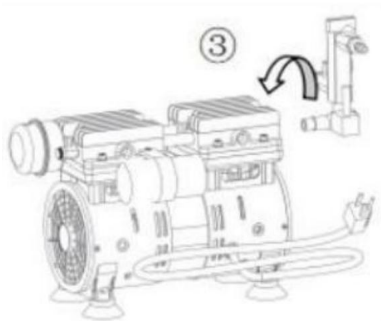
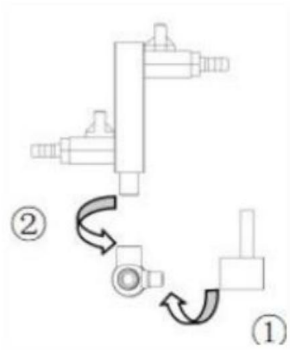
Schritt 3:

Graben Sie mit Ihrer Schaufel einen Graben vom Unterstand zum Teich. Die Mindesttiefe des Grabens sollte nicht weniger als 20 cm betragen, um die Luftleitung zu schützen. Wir empfehlen, die Versorgungsleitungen zu markieren, bevor Sie mit den Ausgrabungen beginnen.

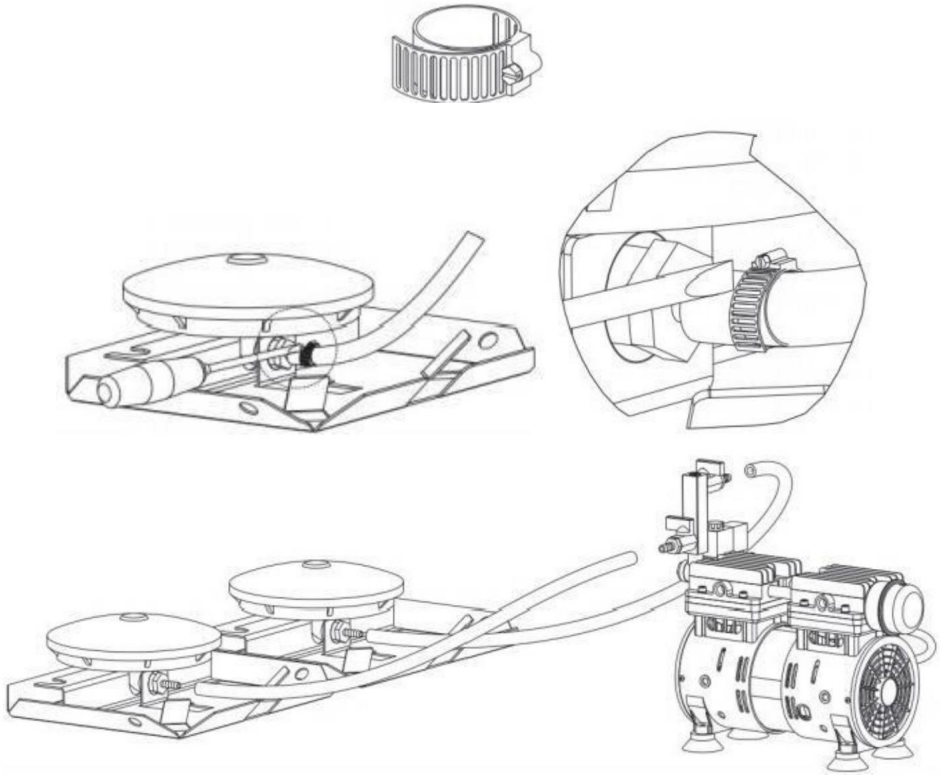
Sollte die Länge des Standard-Luftschlauches nicht ausreichen, können wir Ihnen gerne einen längeren Luftschlauch liefern.

Schritt 4:

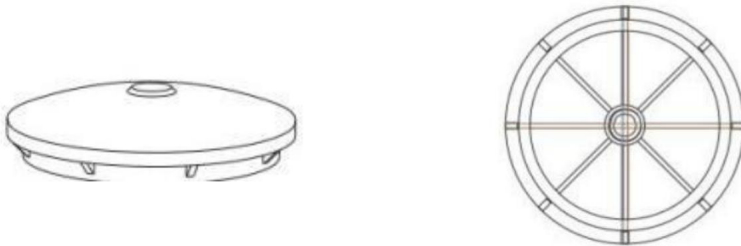
Nehmen Sie das beigefügte Zubehör. Ziehen Sie die Basis des Magnetventils und die 1/8-Schnittstelle des Rückschlagventils fest, ziehen Sie dann das Vierkantröhr mit dem 1/4-Gewinde fest und ziehen Sie die Baugruppe mit der Auslassöffnung des Zylinderkopfs des Luftkompressors fest. Nachdem die obigen Schritte abgeschlossen sind, schrauben Sie die geformte Schale des Magnetventils auf die Basis und ziehen Sie sie mit einer schwarzen Schraubkappe fest. Beachten Sie, dass bei allen Gewindeverbindungen das beigefügte Rohmaterialband verwendet werden muss, um die Gewinde zu umwickeln und so eine schlechte Abdichtung zu verhindern.



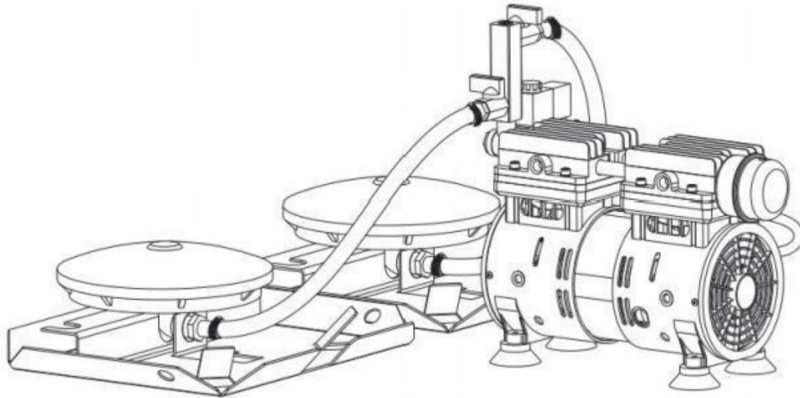
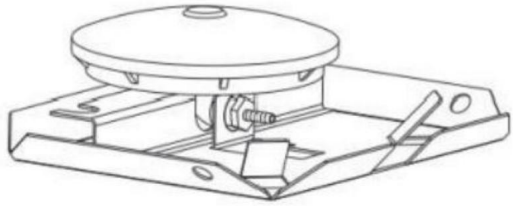
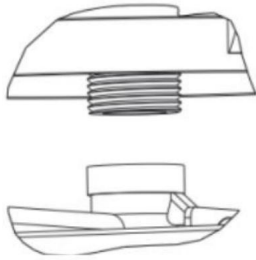
Schritt 5: Verbinden Sie die beiden Enden des Luftrohrs mit dem Luftstromventil am Luftkompressor und dem Pagodenanschluss an der Belüftungsscheibe und verriegeln und fixieren Sie sie mit einer Schlauchschelle.



Schritt 6: Schrauben Sie die Belüftungsscheibe an die Edelstahlbasis und befestigen Sie sie.



8"EPDM-Diffusorplatte



2.4 Betrieb Bitte

überprüfen Sie während des Betriebs mindestens einmal täglich die folgenden

Punkte: 1) Sind ungewöhnliche Geräusche zu hören? 2) Wird die Pumpe ungewöhnlich heiß? 3) Ist der Auspuff normal? 4) Ist der Schalldämpfer verstopft?

Die Maschine kann nach dem Einschalten arbeiten. Das Belüftungssystem ist mit Zeitschaltuhren ausgestattet, mit denen Benutzer den Öffnungs- und Schließmodus der Maschine entsprechend dem tatsächlichen Klima einstellen können.

Timer:

Einführung: Der Timer kann die Öffnungs- und Schließzeit unabhängig voneinander einstellen, um Energie zu sparen, den Verbrauch zu senken und die Lebensdauer des Motors zu verbessern. Der Benutzer kann die Arbeitszeit des Belüftungssystems regelmäßig entsprechend der

Wetterumgebung. Zum Beispiel in der Regenzeit, wenn der Teich Sauerstoff ist

Bei einem Mangel wird das Belüftungssystem für 2 Stunden eingeschaltet und für eine halbe Stunde ausgeschaltet.

Stunde, um den Teich mit Sauerstoff anzureichern.

Die Mindesteinstellzeit beträgt 1 Sek./Min. Es können 8/20 Programme für das tägliche Ein- und Ausschalten eingestellt werden.

Der Funktionsmodus ist in den normalen Öffnungszustand und den Zeitgebungszustand unterteilt.

Tastenanweisungen:

Funktionstaste „CLOCK“, aktuelle Einstellung verlassen.

„SET UP(PROG)“: 8/20 Ein- und Aus-Gruppen einstellen.

„MODE“: Steuermodusumschaltung. „SEC“ stellt die Sekunden ein.

„STUNDE“: Stunden einstellen.

„WOCHE“ stellt die Wochen ein.

„MINUTE“: Minuten einstellen.

„RESET“: Setzt die Ein- und Aus-Gruppen zurück.

Zeiteinstellung:

Vor der Verwendung des Timers müssen die richtige Uhrzeit und der richtige Wochentag eingestellt werden.

zum ersten Mal.

- 1) Drücken Sie „CLOCK“ und „WEEK“, um den Wochentag einzustellen. Drücken Sie „WEEK“ für mehr als 2 Sekunden, es kann schnell angepasst werden.
- 2) Drücken Sie „CLOCK“ und „HOUR“, um die Uhrzeit einzustellen. Drücken Sie „HOUR“, um weitere als 2 Sekunden, es kann schnell angepasst werden.
- 3) Drücken Sie „CLOCK“ und „MN“, um die Minuten einzustellen. Drücken Sie „MIN“ länger als 2 Sekunden, es lässt sich schnell verstellen.
- 4) Drücken Sie „CLOCK“ und „SEC“, um den Tag der Sekunde einzustellen. Drücken Sie „SEC“, um weitere als 2 Sekunden, es kann schnell angepasst werden.

Programmeinstellung:

Es stehen 8/20 mögliche Programmkombinationen zur Verfügung.

- 1) Drücken Sie "SET UP(PROG), um in den Programmiermodus zu gelangen. Auf dem Display erscheint eine "10N" auf der linken Seite des Displays.
- 2) Drücken Sie „HOUR“, „MN“ und „WEEK“, um den richtigen Tag und die richtige Uhrzeit zu programmieren, Wunsch, dass sich der Timer einschaltet.

- 3) Drücken Sie „SET UP (PROG), um den Timer auf die „OFF“-Zeit und den Tag auf „1OFF“ einzustellen.
- 4) Drücken Sie „HOUR“, „MIN“ und „WEEK“, um den richtigen Tag und die richtige Uhrzeit zu programmieren.
- 5) Drücken Sie bei Bedarf „SET UP (PROG), um die zweite Ein-/Ausschaltzeit zu verkürzen.

EIN/AUS-Schalter zum Ein- bzw. Ausschalten des Modus:

- 1) Drücken Sie "ON/AUTO/OFF" es erscheint eine Anzeige im Display mit der Anzeige "ON" oder "ON AUTO" oder „OFF“ oder „AUTO OFF“.
- 2) Drücken Sie den Indikator auf „ON“, die Zeit gibt einen dauerhaften „Schaltausgang“ aus.
- 3) Drücken Sie den Indikator auf "ON AUTO" oder "AUTO OFF" der Timer wird eingeschaltet und während der eingestellten Zeit ausgeschaltet.
- 4) Drücken Sie den Indikator auf „OFF“, der Timer wird ausgeschaltet.

Wenn die folgenden Situationen eintreten:

- 1) Wenn der Timer sich nicht entsprechend den Einstellungen ein- oder ausschaltet, prüfen Sie, ob die Einstellungen sind korrekt, bzw. zurückgesetzt.
- 2) Wenn es die richtige Zeit zum Ein- oder Ausschalten ist, aber der Timer bereits im Voraus zu arbeiten beginnt oder Verzögerung beim Herunterfahren. Es können mehrere Sätze von Schaltprogrammen vorhanden sein, bitte Überprüfen Sie, ob die Einstellungen korrekt oder zurückgesetzt sind.
- 3) Wenn die beiden oben genannten Punkte richtig sind, der Timer aber trotzdem nicht richtig funktioniert Bitte überprüfen und passen Sie den Modus an.
- 4) Wenn der Timer nicht angezeigt wird oder die Anzeige verschwommen ist, laden Sie den Timer bitte auf.
- 5) Wenn es immer noch fehlschlägt, wenn die oben genannten Situationen ausgeschlossen sind, kontaktieren Sie uns bitte oder der Händler zu lösen.

ACHTUNG: Der Diffusor darf nicht direkt in den Teich oder ins Wasser geworfen werden.

Verhindern Sie, dass der Schlauch herunterfällt oder der Diffusor umkippt. Es wird empfohlen um es vorsichtig ins Wasser zu legen. WARTUNG

WARTUNG

Teichbelüftungssysteme sind wartungsarm und erfordern

minimale planmäßige Wartung. Halten Sie den Raum kühl, trocken und belüftet für

• Trennen Sie das System

immer vom **Stromnetz**, bevor Sie Wartungs- oder Fehlerbehebungsarbeiten durchführen .

• Ziehen Sie immer den Netzstecker und überlassen Sie die Wartung einem qualifizierten Elektriker, wenn das Kabel beschädigt oder ausgefranst ist, Kompressor, Leistungsregler, Kompressorlüfter oder andere elektrische Komponenten erzeugen ungewöhnliche Geräusche oder Gerüche.

ACHTUNG: Kompressoren sind mit einem thermischen Überlastschalter ausgestattet. Temperatur hoch genug wird, um die Überlastung auszulösen, schaltet der Kompressor ab. Es wird dann automatisch gestartet, wenn die Temperatur sinkt, solange

Strom wird angelegt. WARNHINWEISE ZUM ELEKTRISCHEN LUFTKOMPRESSOR

Machen Sie sich mit Ihrem Luftkompressor vertraut und lesen Sie die Bedienungsanleitung sorgfältig durch, um zu verstehen seine Anwendungen und Grenzen sowie spezifische potenzielle Gefahren im Zusammenhang mit diesem Produkt. Verändern oder modifizieren Sie nicht das ursprüngliche Design oder die Funktionalität des

Gerät. Missbrauch und unsachgemäße Handhabung können zu Verletzungen

führen. • Befolgen Sie immer alle Sicherheitsregeln, die von Luftkompressoren und

Zubehörhersteller

• Nicht unter Druck starten. • Beim Aufpumpen

nicht zu stark aufpumpen, alle Anweisungen des Herstellers befolgen.

für aufblasbare Artikel.

- Überprüfen Sie den Luftschlauch und die Armaturen vor jedem Gebrauch auf Verschleiß oder Beschädigungen und stellen Sie sicher, Stellen Sie sicher, dass die Verbindungen sicher sind. Verwenden Sie es nicht, wenn es undicht ist. Halten Sie den Schlauch von scharfen Gegenständen, verschüttete Chemikalien, Öle, Lösungsmittel und nasse Böden.

- Stellen Sie sicher, dass die Luftröhre frei von Hindernissen ist, das Verdrehen der Luftröhre kann verursachen zum Verlust des Gleichgewichts oder des Standes und zu Schäden

führen. • Versuchen Sie nicht, den Luftauslass während des Betriebs zu blockieren oder zu verschließen.

ALLE 3-6 MONATE - Luftfilter: Luftfilter reinigen/austauschen.

Überdruckventil: Überprüfen Sie, ob Luft aus dem Ventil entweicht, und ersetzen Sie es ggf. erforderlich.

ALLE 24-36 MONATE - Luftstromverteiler: Wir empfehlen eine Inspektion und/oder

Reinigen Sie den Airflow-Diffusor alle 24–36 Monate.

Fehlerbehebung

Störungen	Mögliche Gründe	Verarbeitungsmethode
-----------	-----------------	----------------------

<p>Der Motor dreht sich nicht und es ist kein Ton zu hören</p>	<p>1.Keine Stromversorgung 2.Die Sicherung ist durchgebrannt 3.Überlastschutz ist im Schutzzustand 4 Der Motorstator Wicklung ist verbrannt</p>	<p>1.Überprüfen Sie den Stecker und Schalter 2.Ersetzen Sie die Sicherung 3.Der Motor wird neu gestartet nach dem Abkühlen 4.Stator austauschen</p>
<p>Der Motor hat Strom Ton, aber keine Bedienung möglich oder die Geschwindigkeit ist sehr langsam.</p>	<p>1.Die Spannung ist zu niedrig 2.Der Kapazitätswert des Startens und Laufens Kondensator fällt ab oder ist beschädigt 3.Motorspule kurzgeschlossen oder offener Stromkreis 4.Das Einwegventil oder Luft Druckschalter ist beschädigt</p>	<p>1.Überprüfen Sie die Spannung, nein weniger als 10 % des Nennwerts Abonnieren 2.Überprüfen oder ersetzen 3.Kontaktieren Sie einen zuverlässigen Servicecenter 4.Kontaktieren Sie das zuverlässige Servicecenter</p>
<p>Überlastung und der Beschützer den Strom wiederholt abschalten</p>	<p>1.Die Spannung ist zu niedrig 2. Schlechte Belüftung und hohe Temperatur</p>	<p>1.Überprüfen Sie die Spannung, nicht weniger als 10% der bewerteten Voltgag 2.Stellen Sie den Luftkompressor in ein gut belüfteter Ort</p>
<p>Der Luftkompressor läuft weiter.</p>	<p>1.Der Luftdruckschalter ist beschädigt 2.Leckage</p>	<p>1.Ersetzen Sie die Luft Druckschalter 2.Überprüfen und beseitigen</p>
<p>Vibration des Luftkompressors</p>	<p>1.Lose Befestigungselemente 2.Die Ventilplatte ist beschädigt 3.Das stützende Fußpolster ist beschädigt oder fehlt</p>	<p>1.Überprüfen und beseitigen 2.Inspektion und Ersatz 3.Ersetzen Sie das Fußpolster</p>

<p>Die Luftzufuhr des Luft Kompressor ist langsam oder kann nicht erreichen die angegebenen Druck.</p>	<ol style="list-style-type: none"> 1. Das Ablassventil ist geöffnet 2. Kalte Blockade des Luftfilters 3. Die Pipeline ist undicht 4. Die Ventilplatte hat eine schlechte Funktion oder Fremdkörper oder Luftleckage 5. Übermäßiger Verschleiß von Kolbenring und Zylinder 	<ol style="list-style-type: none"> 1. Das Ablassventil festziehen 2. Reinigen oder ersetzen Sie den Filter Element 3. Überprüfen und beseitigen 4. Reinigung oder Austausch 5. Durch neue Produkte ersetzen
<p>Außergewöhnlicher Klang</p>	<ol style="list-style-type: none"> 1. Befestigungselemente sind locker oder beschädigt 2. Übermäßiger Verschleiß von Kolbenring und Zylinder 3. Ausländische Angelegenheiten betreten der Luftkompressor 4. Großer Kurbelschwung 	<ol style="list-style-type: none"> 1. Überprüfen und ersetzen 2. Durch neue ersetzen Produkte 3. Überprüfen und beseitigen 4. Überprüfen und ersetzen

Hersteller: Shanghaimuxinmuyeyouxiangongsi Adresse:

Shuangchenglu 803nong11hao1602A-1609shi, baoshanqu, Shanghai 200000 CN.

EG-Vertreter: E-CrossStu GmbH.

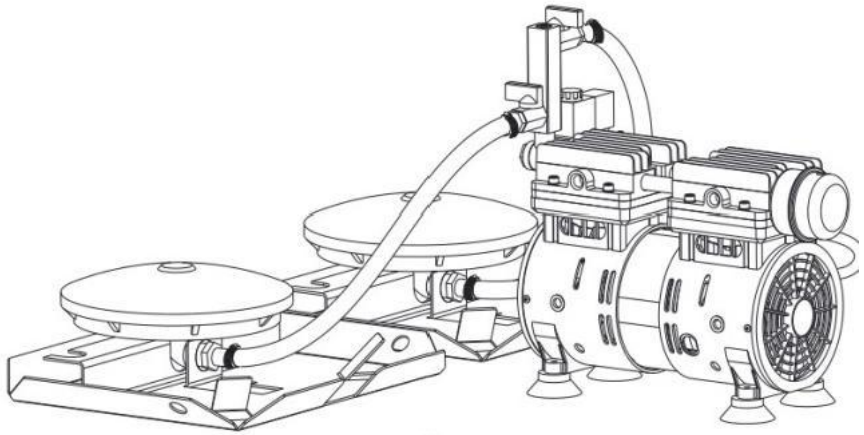
Mainzer Landstr.69, 60329 Frankfurt am Main.

SYSTÈME D'AÉRATION D'ÉTANG SOUTERRAIN

MANUEL D'UTILISATION

ÉTANG SOUTERRAIN SYSTÈME D'AÉRATION

MODÈLE : OLF400D





Merci beaucoup d'avoir choisi ce produit. Veuillez lire toutes les instructions avant de l'utiliser. Les informations vous aideront à obtenir les meilleurs résultats possibles.



Avertissement - Pour réduire le risque de blessure, l'utilisateur doit lire attentivement le manuel d'instructions.



Ce produit est soumis aux dispositions de la directive européenne 2012/19/CE. Le symbole représentant une poubelle à roulettes barrée indique que le produit doit être collecté séparément dans l'Union européenne. Cela s'applique au produit et à tous les accessoires marqués de ce symbole. Les produits marqués comme tels ne peuvent pas être jetés avec les déchets ménagers normaux, mais doivent être déposés dans un point de collecte pour le recyclage des appareils électriques et électroniques.

appareils électroniques.INSTRUCTIONS

Sécurité générale des outils électriques

AVERTISSEMENT:

Lisez tous les avertissements de sécurité, instructions, illustrations et spécifications fournis avec ce compresseur. Le non-respect de toutes les instructions répertoriées ci-dessous peut entraîner un choc électrique, un incendie et/ou des blessures graves. Conservez tous les avertissements et instructions pour une utilisation ultérieure.

Sécurité de l'espace de

travail Gardez la zone de travail propre et bien éclairée. Les zones encombrées ou sombres sont sujettes aux accidents. Les compresseurs d'air ne peuvent pas être exposés à un environnement explosif, tel qu'un environnement contenant du liquide, du gaz ou de la poussière inflammable.

Sécurité électrique La

fiche du compresseur d'air doit correspondre à la prise et ne pas modifier la fiche.

de toute façon.

N'exposez pas le compresseur d'air à la pluie ou à l'humidité, l'eau ne pénétrant pas dans l'air le compresseur augmentera le risque de choc électrique

Ne pas maltraiter le cordon d'alimentation, le garder à l'écart de la chaleur, de l'huile et des objets tranchants. bords ou pièces mobiles. Les fils endommagés ou emmêlés augmenteront le risque d'électrocution. choc

Assurez-vous que la prise dispose d'une mise à la terre efficace, ce qui peut éviter risque de choc électrique.

Sécurité personnelle

Soyez vigilant lorsque vous utilisez le compresseur d'air, faites attention à ce que vous faites faire, faites preuve de bon sens et n'utilisez pas d'outils électriques lorsque vous êtes fatigué ou sous la pression influence de drogues, d'alcool ou de drogues. Des blessures corporelles graves peuvent en résulter inattention momentanée lors de l'utilisation de l'outil électrique

Pour éviter toute activation accidentelle, assurez-vous que l'interrupteur est en position d'arrêt avant de brancher l'alimentation électrique.

Précautions d'emploi

Si l'interrupteur ne peut pas être allumé et éteint, n'utilisez pas le compresseur d'air.

Un outil électrique qui ne peut pas être contrôlé par l'interrupteur est dangereux et doit être réparé.

Avant d'effectuer des réglages, de remplacer des accessoires ou de ranger l'appareil, compresseur, débranchez la prise d'alimentation, telles mesures de sécurité préventives réduire le risque de démarrage accidentel.

Ne laissez personne qui n'est pas familier avec le compresseur d'air ou ces instructions pour l'utiliser

Entretenez le compresseur d'air et les accessoires et vérifiez si les pièces mobiles sont disloqués ou coincés, ou les pièces sont endommagées, etc., ce qui peut affecter la fonctionnalité de l'outil électrique. En cas de dommage, veuillez réparer le compresseur d'air avant utilisation. De nombreux accidents sont causés par un mauvais entretien de l'alimentation électrique. Interrupteur ON/OFF pour activer ou désactiver le mode :

- 1) Appuyez sur « ON/AUTO/OFF », un indicateur sur l'écran affiche « ON » ou « ON AUTO » ou "OFF" ou "AUTO OFF".
- 2). Appuyez sur l'indicateur pour « ON », l'heure donnera une « sortie de commutation » permanente
- 3). Appuyez sur l'indicateur pour « ON AUTO » ou « AUTO OFF », la minuterie sera activée et éteint pendant le temps défini.
- 4). Appuyez sur l'indicateur pour « OFF » ; la minuterie s'éteint.

Lorsque les situations suivantes se produisent :

- 1). Lorsque la minuterie ne s'allume pas ou ne s'éteint pas selon les paramètres, vérifiez si les paramètres sont corrects ou réinitialisés ;
- 2) Si c'est le bon moment pour allumer ou éteindre mais que la minuterie commence à fonctionner à l'avance ou retard dans l'arrêt, il peut y avoir plusieurs ensembles de programmes de commutation, s'il vous plaît vérifier si les paramètres sont corrects ou réinitialisés.
- 3). Si les deux points mentionnés ci-dessus sont corrects, mais que la minuterie fonctionne toujours incorrectement, veuillez vérifier et ajuster le mode.
- 4). Si la minuterie ne s'affiche pas ou s'affiche de manière floue, veuillez charger la minuterie.
- 5). Si le problème persiste lorsque les situations ci-dessus sont exclues, veuillez nous contacter ou le croupier doit résoudre.

ATTENTION : Le diffuseur ne peut pas être jeté directement dans l'étang ou l'eau pour empêcher le tuyau de tomber ou le diffuseur de se renverser. Il est recommandé de le mettre doucement dans l'eau.

PARAMÈTRE DU PRODUIT

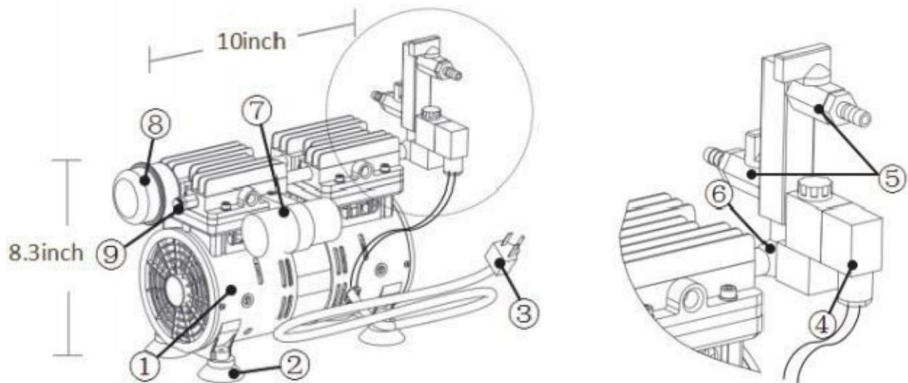
2.1 Spécifications du produit

Modèle SPÉC.	OLF400D-A	OLF400D-B	OLF400D-C
Tension (V/Hz)	220~240V/50Hz		
Puissance nominale	550 W		
Débit max.	5,2 pi3/min		
Longueur du fil	1,5 m		
Surface d'eau max.	/	1 acre	3 acres
Profondeur d'eau max.	15,2 m		

Modèle Parties	OLF400D-A	OLF400D-B	OLF400D-C
Compresseur d'air	1	1	1
<small>Compagnie aérienne</small>	×	1	2
Diffuseur de flux d'air	×	1	2
Collier de serrage	2	2	4
Filtre à air	1	1	1
Minuteur	1	1	1
Soupape de surpression	1	1	1
Clapet anti-retour	1	1	1
Électrovanne	1	1	1
Distributeur de joints	1	1	1
Soupape de débit d'air	1	1	2
Base en acier inoxydable	×	1	2
Manuel d'utilisation	1	1	1

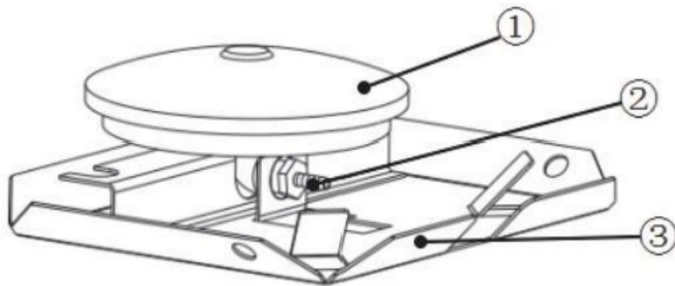
2.2 Composants du système

1) Compresseur d'air sans huile



- ① Compresseur à piston basculant à haut rendement, silencieux, sans huile et à fonctionnement continu.
- ② supports de compresseur en caoutchouc réduisent le bruit et les vibrations pour un fonctionnement silencieux.
- ③ Cordon d'alimentation 3 3x1,0mm2x1,5m.
- ④ L'électrovanne peut mieux protéger le moteur contre le démarrage avec une charge.
- ⑤ Vanne de débit d'air à diffuseur simple/double
- ⑥ Le clapet anti -retour peut éviter le risque de reflux de vapeur d'eau.
- ⑦ Condensateur qui fonctionne comme une partie du compresseur. Ne faites pas fonctionner l'appareil électrique connexion de celui-ci.
- ⑧ Le filtre à air maximise la durée de vie du compresseur
- ⑨ La soupape de surpression protège contre la contre-pression.

2) Diffuseur de flux d'air



10 bâtons diffuseurs à membrane antiadhésive EPDM de 8" offrent la synergie des pierres à air tout en étant pratiquement sans entretien.

11 Connecteur en acier inoxydable pour la conduite d'air et la plaque diffuseur.

Base carrée en acier inoxydable de 12 L13,6 x l11,6* pour la stabilité du diffuseur

3) Compagnie aérienne

Le tuyau d'air sans plomb 3/8"100 pieds est fabriqué en matériaux en PVC durables. L'hameçon est résistant et sans pli.

Les kits de connecteurs dont vous avez besoin pour vous connecter le compresseur au diffuseur.



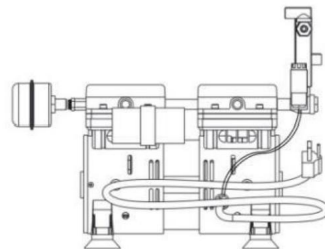
2.3 Installation

Étape 1 :

Trouvez un endroit pour que le compresseur soit ventilé et à l'abri pluie, soleil et aussi moins de poussière.



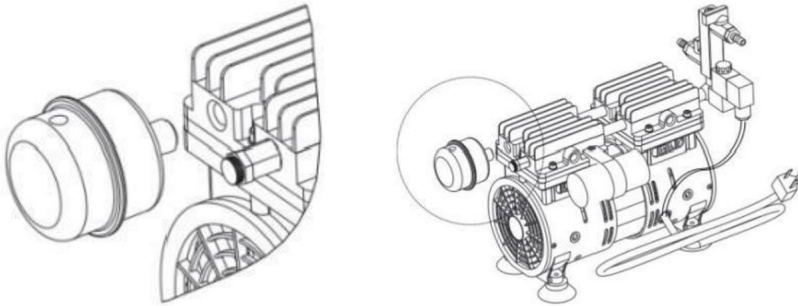
Filtre à air



Compresseur d'air

Étape

2 : Vissez le filtre à air dans le compresseur juste à côté de la soupape de surpression. (Utilisez du ruban Téflon si nécessaire.)



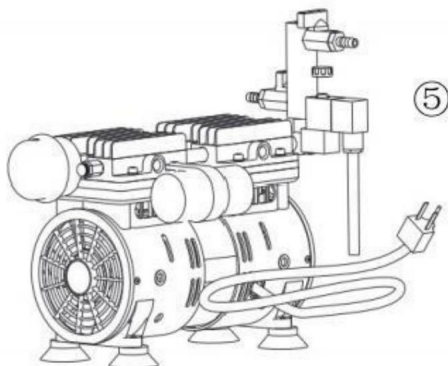
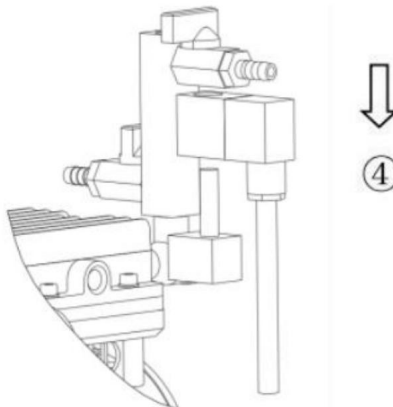
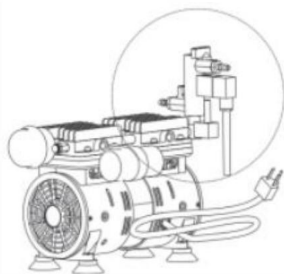
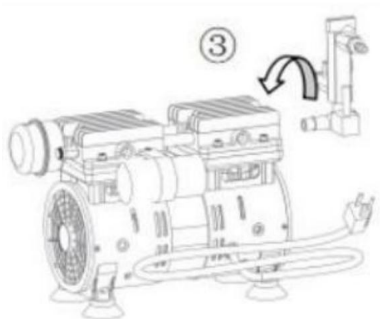
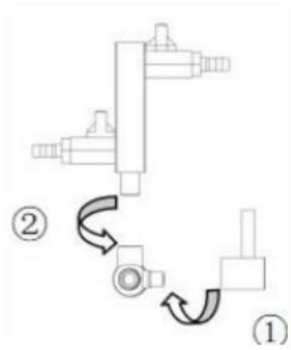
Étape

3 : Utilisez votre pelle pour creuser une tranchée de l'abri à l'étang. La profondeur minimale de la tranchée ne doit pas être inférieure à 8 pouces pour protéger le tuyau d'air. Nous vous recommandons de marquer les lignes électriques avant de commencer l'excavation.

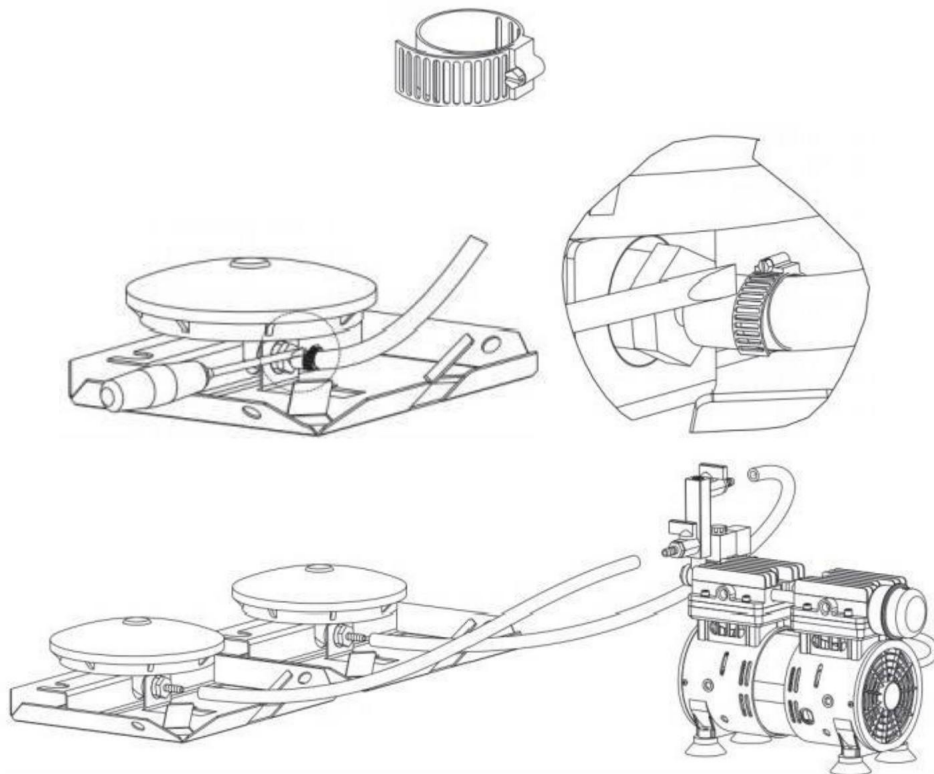
Si la longueur du tube à air standard n'est pas suffisante, nous pouvons fournir un tube à air plus long.

Étape

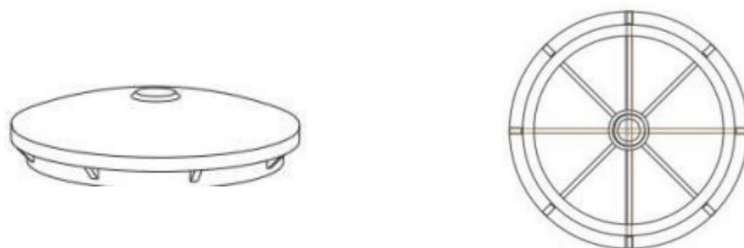
4 : Prenez les accessoires attachés. Serrez la base de l'électrovanne et l'interface 1/8 du clapet anti-retour, puis serrez le tube carré avec le filetage 1/4, puis serrez l'assemblage avec le trou d'échappement de la culasse du compresseur d'air. Une fois les actions ci-dessus terminées, enfitez la coque moulée de l'électrovanne sur la base et serrez-la avec un bouchon à vis noir. Notez que toutes les connexions filetées doivent utiliser le ruban de matière première attaché pour envelopper les filetages afin d'éviter une mauvaise étanchéité.



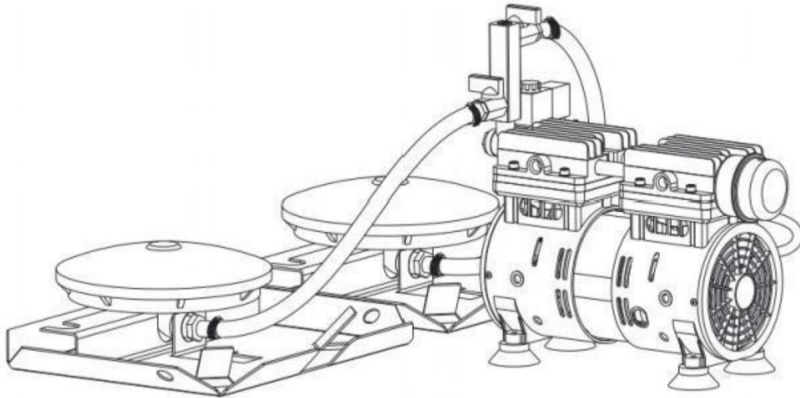
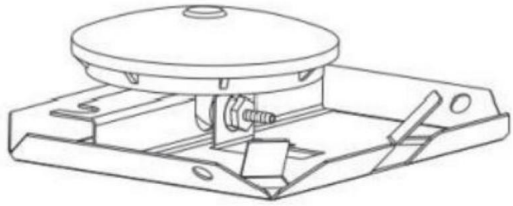
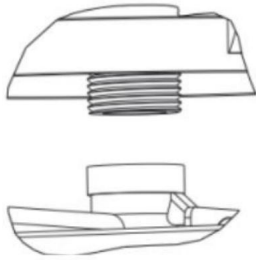
Étape 5 : Connectez les deux extrémités du tuyau d'air avec la vanne de débit d'air sur le compresseur d'air et le connecteur de pagode sur le disque d'aération, puis verrouillez-les et fixez-les avec un collier de serrage.



Étape 6 : Vissez et fixez le disque d'aération sur la base en acier inoxydable.



Plaque de diffusion EPDM 8"



2.4 Fonctionnement

Veillez vérifier les éléments suivants au moins une fois par jour pendant le fonctionnement. 1) Y a-t-il un bruit anormal ; 2) Si la pompe est anormalement chaude ; 3) Si l'échappement est normal ; 4) Le silencieux est-il bouché ?

La machine peut fonctionner après la mise sous tension. Le système d'aération est équipé de minuteries permettant aux utilisateurs de régler le mode d'ouverture et de fermeture de la machine en fonction du climat réel.

Minuteur:

Introduction : La minuterie peut régler indépendamment le temps d'ouverture et de fermeture pour économiser de l'énergie, réduire la consommation et améliorer la durée de vie du moteur. L'utilisateur peut ajuster régulièrement le temps de fonctionnement du système d'aération en fonction de la

environnement météorologique. Par exemple, pendant la saison des pluies, si l'étang est riche en oxygène déficient le système d'aération sera allumé pendant 2 heures et éteint pendant une demi-heure heure pour aider l'étang à s'oxygéner.

Le temps de réglage minimum est de 1 sec/min. Il peut définir 8/20 programmes de marche et d'arrêt chaque jour. Le mode de fonctionnement est divisé en état ouvert normal et état de temporisation.

Instructions pour les boutons :

Touche de fonction « HORLOGE », permet de quitter le réglage actuel.

"SET UP(PROG)" : définir 8/20 groupes d'activation et de désactivation.

« MODE » : changement de mode de contrôle « SEC » définit les secondes.

« HEURE » : définir les heures.

« SEMAINE » définit les semaines.

« MINUTE » : régler les minutes.

"RESET" : réinitialiser les groupes marche/arrêt.

Réglage de l'heure :

L'heure correcte du jour et le jour de la semaine doivent être réglés avant d'utiliser la minuterie pour la première fois.

1) Appuyez sur « HORLOGE » et « SEMAINE » pour régler le jour de la semaine. Appuyez sur « SEMAINE » pour plus de 2 secondes, il peut être ajusté rapidement.

2) Appuyez sur « HORLOGE » et « HEURE » pour régler l'heure du jour. Appuyez sur « HEURE » pour plus d'informations. plus de 2 secondes, il peut être ajusté rapidement.

3) Appuyez sur « CLOCK » et « MN » pour régler les minutes. Appuyez sur « MIN » pendant plus de 2 secondes, peut être ajusté rapidement.

4) Appuyez sur « CLOCK » et « SEC » pour régler le jour de la seconde. Appuyez sur « SEC » pour plus d'informations. plus de 2 secondes, il peut être ajusté rapidement.

Paramètre du programme :

Il existe 8/20 combinaisons de programmes possibles disponibles.

1) Appuyez sur « SET UP (PROG) » pour accéder au mode programme. L'écran affichera un « 10N » dans le côté gauche de l'écran.

2) Appuyez sur « HOUR », « MN » et « WEEK » pour programmer le jour et l'heure corrects lorsque vous je souhaite que la minuterie s'allume.

- 3) Appuyez sur « SET UP (PROG) » pour régler la minuterie sur l'heure « OFF » et le jour sur « 1 OFF ».
- 4) Appuyez sur « HEURE », « MIN » et « SEMAINE » pour programmer le jour et l'heure corrects.
- 5) Si nécessaire, appuyez sur « SET UP (PROG) » pour avancer le deuxième réglage marche/arrêt.

Interrupteur ON/OFF pour activer ou désactiver le mode :

- 1) Appuyez sur « ON/AUTO/OFF », un indicateur sur l'écran affiche « ON » ou « ON AUTO » ou "OFF" ou "AUTO OFF".
- 2) Appuyez sur l'indicateur pour le mettre sur « ON », l'heure donnera une « sortie de commutation » permanente.
- 3) Appuyez sur l'indicateur pour « ON AUTO » ou « AUTO OFF » et la minuterie sera activée et éteint pendant le temps défini.
- 4) Appuyez sur l'indicateur pour « OFF », la minuterie s'éteint.

Lorsque les situations suivantes se produisent :

- 1) Lorsque la minuterie ne s'allume pas ou ne s'éteint pas selon les paramètres, vérifiez si les paramètres sont corrects ou réinitialisés.
- 2) Si c'est le bon moment pour allumer ou éteindre mais que la minuterie commence à fonctionner en avance ou retard dans l'arrêt. Il peut y avoir plusieurs ensembles de programmes de commutation, veuillez vérifier si les paramètres sont corrects ou réinitialisés.
- 3) Si les deux points mentionnés ci-dessus sont corrects mais que la minuterie fonctionne toujours de manière incorrecte. Veuillez vérifier et ajuster le mode.
- 4) Si la minuterie ne s'affiche pas ou s'affiche de manière floue, veuillez charger la minuterie.
- 5) Si le problème persiste lorsque les situations ci-dessus sont exclues, veuillez nous contacter ou le croupier doit résoudre.

ATTENTION : Le diffuseur ne peut pas être jeté directement dans l'étang ou l'eau pour empêcher le tuyau de tomber ou le diffuseur de se renverser. Il est recommandé de le mettre doucement dans l'eau. ENTRETIEN

ENTRETIEN

Les systèmes d'aération des étangs sont conçus pour nécessiter peu d'entretien et entretien programmé minimal. Gardez la pièce fraîche, sèche et ventilée pendant le compresseur.

Débranchez toujours le système avant d'effectuer toute opération de maintenance ou de dépannage

Débranchez toujours le système et confiez l'entretien à un électricien qualifié lorsque le cordon est endommagé ou effiloché, compresseur, commande de puissance, ventilateur de compresseur ou autre élément électrique les composants produisent des bruits ou des odeurs inhabituels.

AVERTISSEMENT : Les compresseurs sont équipés d'un interrupteur de surcharge thermique. la température devient suffisamment élevée pour déclencher la surcharge, le compresseur s'arrêtera vers le bas. Il démarrera alors automatiquement lorsque la température diminuera tant que

l'alimentation est appliquée. AVERTISSEMENTS CONCERNANT LE COMPRESSEUR D'AIR ÉLECTRIQUE

Connaissez votre compresseur d'air et lisez attentivement le manuel d'utilisation pour comprendre ses applications et ses limites, ainsi que les dangers potentiels spécifiques associés à ce produit. Ne pas altérer ni modifier la conception ou la fonctionnalité d'origine du appareil. Une mauvaise utilisation et une manipulation inappropriée peuvent entraîner des blessures. Suivez toujours toutes les règles de sécurité recommandées par les compresseurs d'air et fabricants d'accessoires

Ne pas démarrer sous pression. En cas d'utilisation pour gonfler, ne pas trop gonfler, suivre toutes les instructions du fabricant pour articles gonflables.

- Inspectez le tuyau d'air et les raccords pour détecter toute usure ou tout dommage avant chaque utilisation et assurez-vous assurez-vous que les connexions sont sécurisées. Ne l'utilisez pas s'il fuit, gardez le tuyau loin de objets tranchants, déversements de produits chimiques, huiles, solvants et sols mouillés.

- Assurez-vous que la trachée est exempte d'obstructions, l'enroulement de la trachée peut provoquer

Ne tentez pas de bloquer ou d'obstruer la sortie d'air pendant le fonctionnement.

TOUS LES 3 À 6 MOIS - Filtre à air : nettoyez/remplacez le filtre à air.

Soupape de surpression : vérifiez que l'air ne s'échappe pas de la soupape et remplacez-la si nécessaire. nécessaire.

TOUS LES 24 À 36 MOIS - Diffuseur de flux d'air : Nous recommandons d'inspecter et/ou nettoyer le diffuseur Airflow tous les 24 à 36 mois.

Dépannage

Défauts	Raisons possibles	Méthode de traitement
---------	-------------------	-----------------------

<p>Le moteur ne tourne pas et il n'y a pas de son</p>	<ol style="list-style-type: none"> 1. Pas d'alimentation électrique 2. Le fusible est grillé 3. Le protecteur de surcharge est dans un état de protection 4 Le stator du moteur l'enroulement est brûlé 	<ol style="list-style-type: none"> 1.Vérifiez la prise et interrupteur 2.Remplacez le fusible 3. Le moteur redémarrera après refroidissement 4.Remplacer le stator
<p>Le moteur a du courant du son mais ne peut pas fonctionner ou la vitesse est très lente.</p>	<ol style="list-style-type: none"> 1. La tension est trop basse 2. La valeur de capacité de démarrage et de fonctionnement le condensateur chute ou est endommagé 3. Bobine du moteur en court-circuit ou en circuit ouvert 4. La valve unidirectionnelle ou l'air le pressostat est endommagé 	<ol style="list-style-type: none"> 1.Vérifiez la tension, non moins de 10 % de la valeur nominale à gè 2.Vérifiez ou remplacez 3.Contactez un fournisseur fiable centre de services 4.Contactez le centre de service fiable
<p>Surcharge et protecteur couper le courant à plusieurs reprises</p>	<ol style="list-style-type: none"> 1. La tension est trop basse 2. Mauvaise ventilation et haute température 	<ol style="list-style-type: none"> 1. Vérifiez la tension, pas moins plus de 10 % de la valeur nominale du voltag 2. Placez le compresseur d'air dans un endroit bien aéré
<p>Le compresseur d'air continue de courir.</p>	<ol style="list-style-type: none"> 1. Le pressostat d'air est endommagé 2. Fuite 	<ol style="list-style-type: none"> 1. Remplacez l'air pressostat 2.Vérifiez et éliminez
<p>Vibrations du compresseur d'air</p>	<ol style="list-style-type: none"> 1. Attaches desserrées 2. La plaque de soupape est endommagé 3. Le coussinet de support du pied est endommagé ou manquant 	<ol style="list-style-type: none"> 1.Vérifiez et éliminez 2.Inspection et remplacement 3.Remplacez le repose-pied

<p>L'alimentation en air de l'air le compresseur est lent ou ne peut pas atteindre la pression spécifiée.</p>	<ol style="list-style-type: none"> 1. Le robinet de vidange est ouvert 2. Blocage à froid du filtre à air 3. Le pipeline fuit 4. La plaque de soupape a une mauvaise fonction ou matières étrangères ou fuite d'air 5. Usure excessive de segment de piston et cylindre 	<ol style="list-style-type: none"> 1. Serrez le robinet de vidange 2. Nettoyez ou remplacez le filtre élément 3. Vérifiez et éliminez 4. Nettoyage ou remplacement 5. Remplacer par de nouveaux produits
<p>Un son extraordinaire</p>	<ol style="list-style-type: none"> 1. Les attaches sont desserrées ou endommagées 2. Usure excessive de segment de piston et cylindre 3. Des matières étrangères entrent dans le compresseur d'air 4. Grande manivelle pivotante 	<ol style="list-style-type: none"> 1. Vérifiez et remplacez 2. Remplacer par un nouveau produit 3. Vérifiez et éliminez 4. Vérifiez et remplacez

Fabricant : Shanghaimuxinmuyeyouxiangongsi

Adresse : Shuangchenglu 803nong11hao1602A-1609shi, baoshanqu, shanghai 200000 CN.

CE REP : E-CrossStu GmbH.

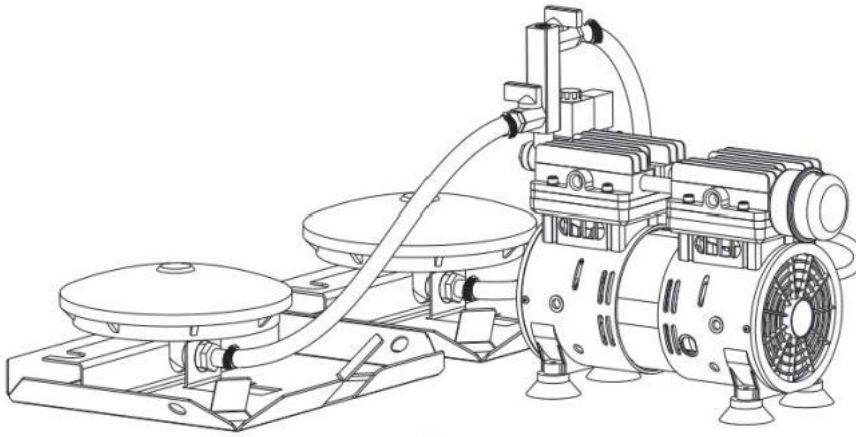
Mainzer Landstr.69, 60329 Francfort-sur-le-Main.

ONDERGRONDSE VIJVERBELUCHTINGSSYSTEEM

GEBRUIKERSHANDLEIDING

**ONDERGRONDSE VIJVER
BELUCHTINGSSYSTEEM**

MODEL:OLF400D





Hartelijk dank voor het kiezen van dit product. Lees alle

Lees de instructies aandachtig door voordat u het product gebruikt. Deze informatie helpt u de best mogelijke resultaten te behalen.

	<p>Waarschuwing: om het risico op letsel te verkleinen, moet de gebruiker de gebruiksaanwijzing zorgvuldig lezen.</p>
	<p>Dit product is onderworpen aan de bepalingen van de Europese richtlijn 2012/19/EG. Het symbool met een doorgestreepte afvalbak geeft aan dat het product in de Europese Unie gescheiden afvalinzameling vereist. Dit geldt voor het product en alle accessoires die met dit symbool zijn gemarkeerd. Producten die als zodanig zijn gemarkeerd, mogen niet met het normale huishoudelijke afval worden weggegooid, maar moeten worden ingeleverd bij een inzamelpunt voor recycling van elektrische en elektronische apparaten.</p>

elektronische apparaten. INSTRUCTIES

Algemene veiligheid van elektrisch gereedschap

WAARSCHUWING:

Lees alle veiligheidswaarschuwingen, instructies, illustraties en specificaties die bij deze compressor worden geleverd. Als u niet alle onderstaande instructies opvolgt, kan dit leiden tot een elektrische schok, brand en/of ernstig letsel. Bewaar alle waarschuwingen en instructies voor toekomstig gebruik.
referentie.

Veiligheid op de werkplek

Zorg ervoor dat de werkplek schoon en goed verlicht is. Rommelige of donkere ruimtes zijn gevoelig voor ongelukken. Luchtcompressoren mogen niet worden blootgesteld aan een explosieve omgeving, zoals een omgeving met ontvlambare vloeistoffen, gassen of stof.

Elektrische veiligheid

De stekker van de luchtcompressor moet in het stopcontact passen. Wijzig de stekker niet.

Hoe dan ook.

ÿ Stel de luchtcompressor niet bloot aan regen of vochtigheid, of aan water dat in de lucht komt.

compressor verhoogt het risico op een elektrische schok

ÿ Misbruik het netsnoer niet, houd het netsnoer uit de buurt van hitte, olie, scherpe voorwerpen en andere voorwerpen. randen of bewegende delen. Beschadigde of verwarde draden vergroten het risico op elektrische schokken. schok

ÿ Zorg ervoor dat het stopcontact een goede aarding heeft, zodat u kunt voorkomen dat risico op elektrische schokken.

Persoonlijke veiligheid

ÿ Wees waakzaam bij het bedienen van de luchtcompressor en let op wat u doet.

doe dit, gebruik je gezonde verstand en gebruik geen elektrisch gereedschap als je moe bent of onder invloed bent. invloed van drugs, alcohol of drugs. Ernstig persoonlijk letsel kan het gevolg zijn van moment van onoplettendheid tijdens het bedienen van het elektrisch gereedschap

ÿ Om onbedoelde activering te voorkomen, moet u ervoor zorgen dat de schakelaar in de uit-stand staat voordat u de voeding aansluit.

Voorzorgsmaatregelen voor gebruik

Als de schakelaar niet aan en uit kan worden gezet, mag u de luchtcompressor niet gebruiken. elektrisch gereedschap dat niet met de schakelaar kan worden bediend, is gevaarlijk en moet worden gerepareerd.

Voordat u aanpassingen doet, accessoires vervangt of het apparaat opbergt, compressor, trek de stekker uit het stopcontact, dergelijke voorzorgsmaatregelen het risico op onbedoeld opstarten te verminderen.

Laat niemand die niet bekend is met de luchtcompressor of deze instructies om het te bedienen

Onderhoud de luchtcompressor en de accessoires en controleer of de bewegende delen goed werken. zijn ontwricht of vastgelopen, of de onderdelen zijn beschadigd, enz., wat van invloed kan zijn op de bediening van het elektrische gereedschap. Als er schade is, repareer dan de luchtcompressor voor gebruik. Veel ongelukken worden veroorzaakt door onjuist onderhoud van de voeding.

AAN/UIT-schakelaar om de modus in of uit te schakelen:

1) Druk op "ON/AUTO/OFF". Er verschijnt een indicator op het display die "ON" of "ON" aangeeft. AUTO"of "UIT"of "AUTO UIT".

2). Druk de indicator op "AAN". De tijd geeft een permanente "inschakeluitgang" weer.

3). Druk op de indicator op "ON AUTO" of "AUTO OFF" de timer wordt ingeschakeld en gedurende de ingestelde tijd uitgeschakeld.

4). Druk de indicator op "OFF" om de timer uit te schakelen.

Wanneer de volgende situaties zich voordoen:

- 1). Wanneer de timer niet aan of uit gaat volgens de instellingen, controleer dan of de instellingen zijn correct, of gereset;
- 2) Als het het juiste moment is om aan of uit te zetten, maar de timer begint al eerder te werken of vertraging bij het afsluiten, er kunnen meerdere sets van schakelprogramma's zijn, alstublieft Controleer of de instellingen correct of gereset zijn.
- 3). Als de twee hierboven genoemde punten juist zijn, maar de timer nog steeds werkt onjuist is, controleer en pas de modus aan.
- 4). Als de timer geen beeld weergeeft of een wazig beeld weergeeft, laadt u de timer op.
- 5). Als het nog steeds niet lukt, zelfs als de bovenstaande situaties zijn uitgesloten, neem dan contact met ons op of de dealer om op te lossen.

WAARSCHUWING: De diffuser mag niet rechtstreeks in de vijver of het water worden gegooid.

voorkom dat de slang eraf valt of dat de diffuser kantelt. Het wordt aanbevolen

om het voorzichtig in het water te leggen.

PRODUCTPARAMETER

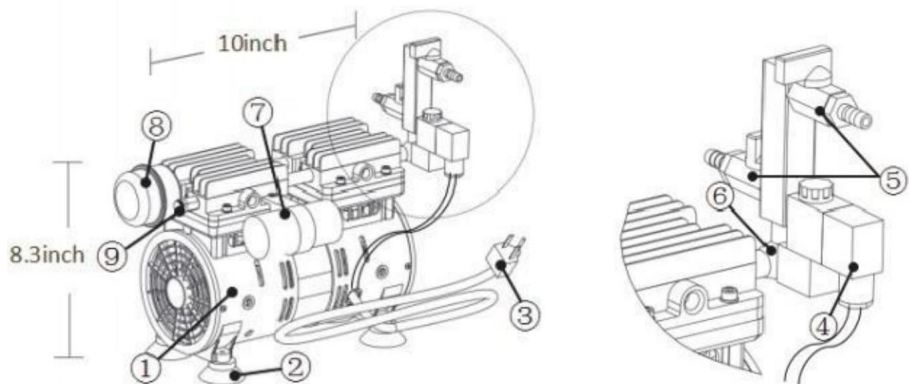
2.1 Productspecificatie

Model SPECIFICATIES	OLF400D-A	OLF400D-B	OLF400D-C
Spanning (V/Hz)	220~240V/50Hz		
Nominiaal vermogen	550W		
Max.stroom	5,2CFM		
Lengte van de draad	1,5m		
Max. wateroppervlak	/	1 hectare	3 hectare
Maximale waterdiepte	15,2m		

Model Onderdelen	OLF400D-A	OLF400D-B	OLF400D-C
Luchtcompressor	1	1	1
<small>Luchtvaartmaatschappij</small>	×	1	2
Luchtstroombuffer	×	1	2
Slangklem	2	2	4
Luchtfilter	1	1	1
Tijd klok	1	1	1
Overdrukventiel	1	1	1
Terugslagklep	1	1	1
Solenoïdeklep	1	1	1
Gewrichtsverdeler	1	1	1
Luchtstroombuffer	1	1	2
Roestvrijstalen basis	×	1	2
Gebbruikershandleiding	1	1	1

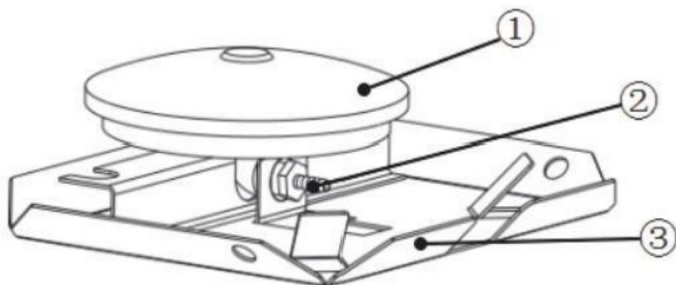
2.2 Systemcomponenten

1) Olivrijie luchtcompressor



- 1) Zeer efficiënte, stille, olievrije, continu werkende schommelzuigercompressor.
- 2) Rubberen compressorbevestigingen verminderen geluid en trillingen voor een stille werking.
- 3) 3x1.0mm2x1.5m stekker netsnoer.
- 4) Het magneetventiel kan de motor beter beschermen tegen starten met een belasting.
- 5) Enkele/dubbele diffusor luchtstroomklep
- 6) Het terugslagventiel kan het risico op terugstroming van waterdamp voorkomen.
- 7) Condensator die als onderdeel van de compressor werkt. Gebruik de elektrische verbinding ervan.
- 8) Luchtfilter maximaliseert de levensduur van de compressor
- 9) Overdrukventiel beschermt tegen tegendruk.

2) Luchtstroomdiffuser



- 10 EPDM antiaanbak 8" membraan diffusor sticks zorgen voor de synergie van luchtstenen terwijl ze vrijwel onderhoudsvrij zijn.
- 11 RVS connector voor de luchtleiding en de diffusorplaat.
- 12 L13,6xB11,6*vierkante roestvrijstalen basis voor de stabiliteit van de diffuser

3) Luchtvaartmaatschappij

De 3/8" 100 ft loodvrije luchtleiding is gemaakt van duurzame PVC-materialen. Vishaak is bestand tegen en knikvrij.

De connectorkits die u nodig hebt om verbinding te maken de compressor naar de diffuser.



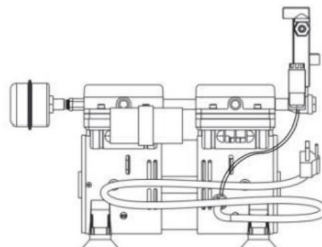
2.3 Installatie

Stap 1:

Zoek een plek waar de compressor geventileerd en beschermd is tegen regen, zonneschijn, en ook minder stof.



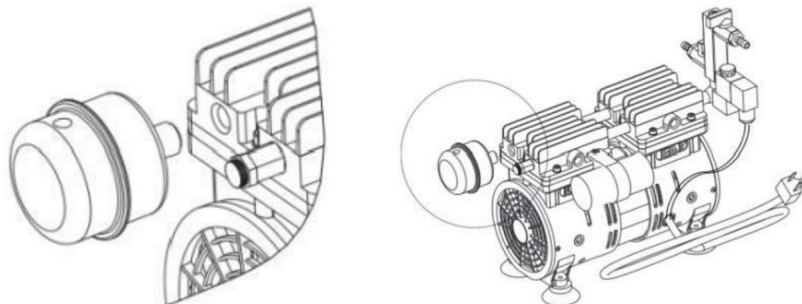
Luchtfilter



Luchtcompressor

Stap 2:

Schroef het luchtfilter vast in de compressor, vlakbij het overdrukventiel. (Gebruik indien nodig teflontape.)



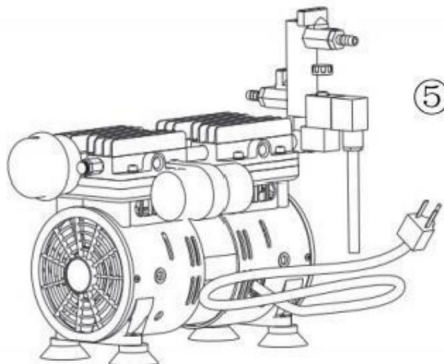
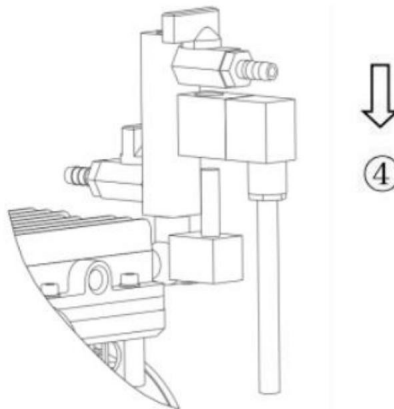
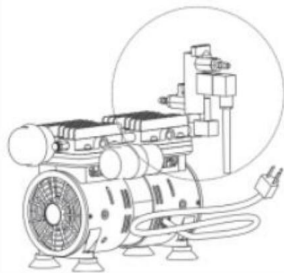
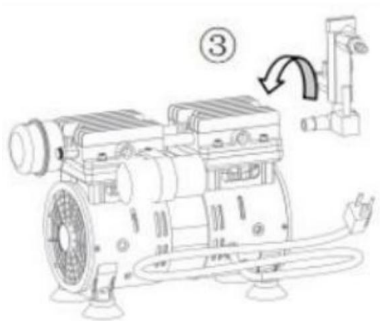
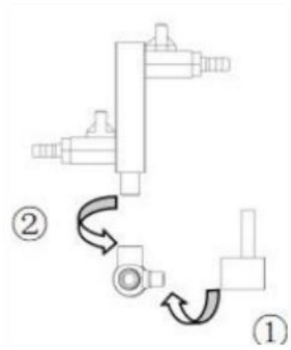
Stap 3:

Graaf met uw schop een sleuf van de schuilplaats naar de vijver. De minimale diepte van de sleuf mag niet minder dan 20 cm zijn om de luchtbuis te beschermen. Wij raden u aan de nutsleidingen te markeren voordat u met graven begint.

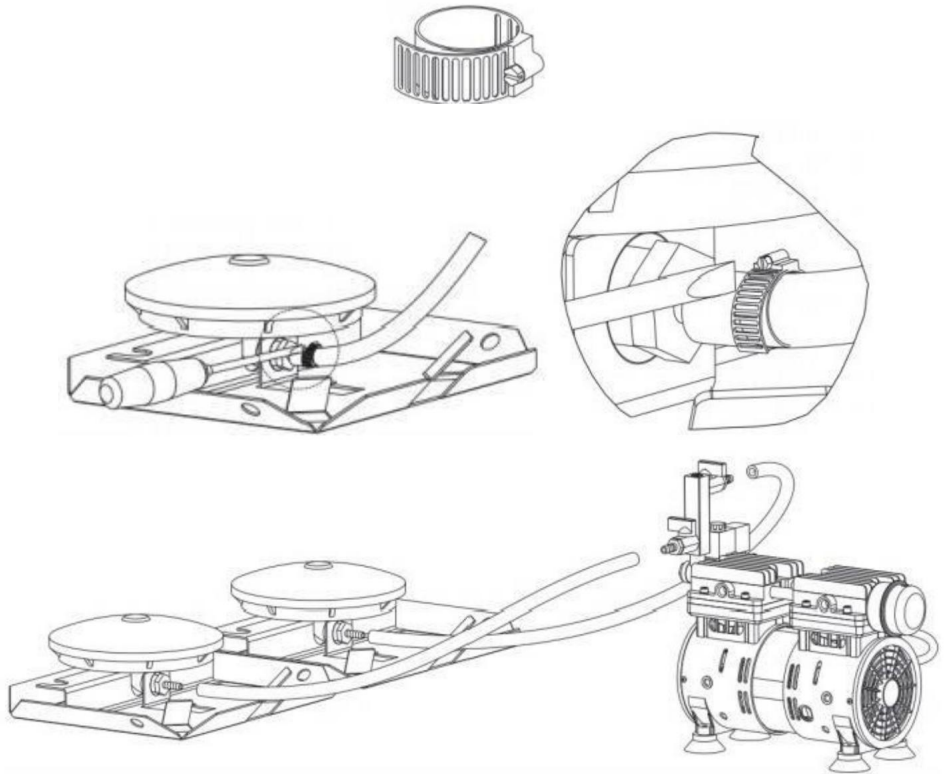
Indien de lengte van de standaard luchtslang niet voldoende is, kunnen wij een langere luchtslang leveren.

Stap 4:

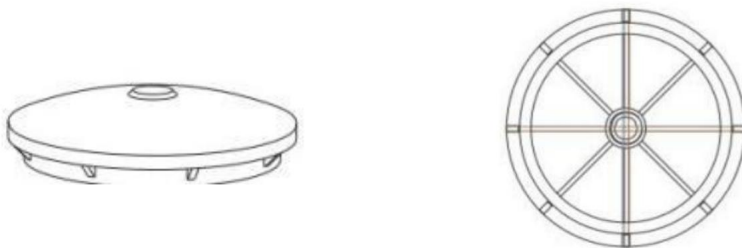
Neem de meegeleverde accessoires. Draai de solenoïdeklepbasis en de 1/8-interface van de terugslagklep vast. Draai vervolgens de vierkante buis vast met de 1/4-schroefdraad en draai de constructie vast met het uitlaatgat van de cilinderkop van de luchtcompressor. Nadat u de bovenstaande handelingen hebt uitgevoerd, draait u de gegoten behuizing van de solenoïdeklep op de basis en draait u deze vast met een zwarte schroef dop. Let op: alle schroefdraadverbindingen moeten worden omwikkeld met de meegeleverde ruwe tape om slechte afdichting te voorkomen.



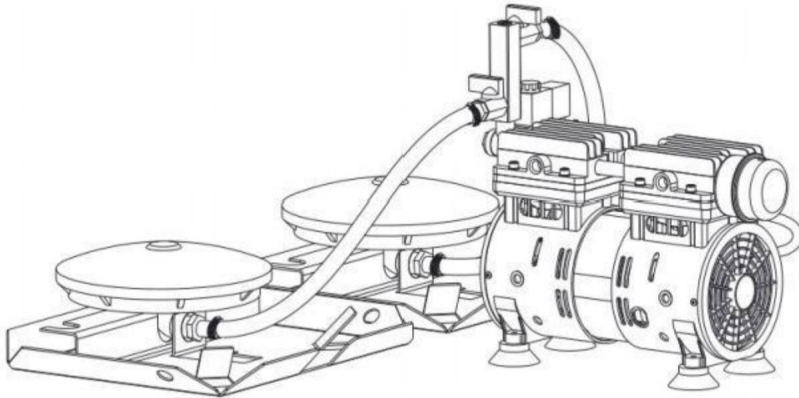
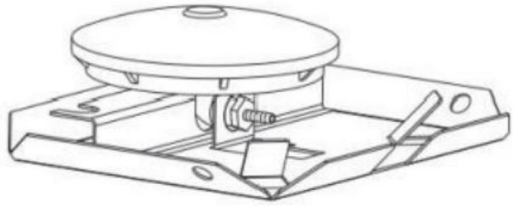
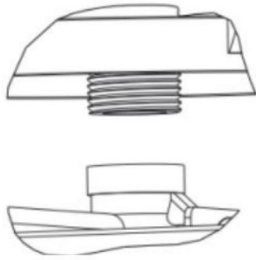
Stap 5: Verbind de twee uiteinden van de luchtbuis met de luchtstroomklep op de luchtcompressor en de pagodeconnector op de belichtingsschijf en zet ze vast met een slangklem.



Stap 6: Schroef de beluchtingsschijf vast aan de roestvrijstalen basis.



8"EPDM-diffusorplaat



2.4 Bedienung

Controleer de volgende punten minstens één keer per dag tijdens het gebruik. 1) Is er sprake van abnormale geluiden? 2) Is de pomp abnormaal heet? 3) Is de uitlaat normaal? 4) Is de demper verstopt?

De machine kan werken nadat de stroom is ingeschakeld. Het beluchtingssysteem is uitgerust met timers, zodat gebruikers de openings- en sluitingsmodus van de machine kunnen instellen op basis van het actuele klimaat.

Tijd klok:

Inleiding: De timer kan de openings- en sluitingstijd onafhankelijk instellen om energie te besparen en het verbruik te verminderen en de levensduur van de motor te verbeteren. De gebruiker kan de werktijd van het beluchtingssysteem regelmatig aanpassen volgens de

weersomstandigheden. Bijvoorbeeld, in het regenseizoen, als de vijver zuurstofrijk is bij een tekort wordt het beluchtingssysteem 2 uur lang aangezet en een half uur lang uitgezet uur om de vijver te helpen zuurstof te geven.

De minimale insteltijd is 1 sec/min. Er kunnen 8/20 programma's per dag worden ingesteld om het apparaat aan en uit te zetten.

De functiemodus is verdeeld in de normale open toestand en de timingtoestand.

Knopinstructies:

Functietoets "KLOK", verlaat de huidige instelling.

"SET UP(PROG)": 8/20 groepen aan en uit zetten.

"MODE": regelt de omschakeling van de modus "SEC" stelt de seconden in.

"HOUR": hiermee stelt u de uren in.

"WEEK" stelt de weken in.

"MINUUT": hiermee stelt u de minuten in.

"RESET": de groepen aan en uit resetten.

Tijdsinstelling:

De juiste tijd van de dag en dag van de week moeten worden ingesteld voordat de timer voor de eerste keer.

- 1) . Druk op "CLOCK" en "WEEK" om de dag van de week in te stellen. Druk op "WEEK" voor meer dan 2 seconden, kan snel worden aangepast.
- 2) Druk op "CLOCK" en "HOUR" om het uur van de dag in te stellen. Druk op "HOUR" voor meer dan 2 seconden, kan het snel worden aangepast.
- 3) Druk op "CLOCK" en "MN" om de minuten in te stellen. Druk langer dan 2 seconden op "MIN" om de minuten in te stellen. kan snel worden aangepast.
- 4) Druk op "CLOCK" en "SEC" om de dag van de seconde in te stellen. Druk op "SEC" voor meer dan 2 seconden, kan het snel worden aangepast.

Programma-instellingen:

Er zijn 8/20 mogelijke programmacombinaties beschikbaar.

- 1) Druk op "SET UP(PROG)" om de programmeermodus te openen. Het display toont een "10N" in de linkerkant van het scherm.
- 2) Druk op "HOUR", "MN" en "WEEK" om de juiste dag en tijd te programmeren wanneer u Ik wil dat de timer aangaat.

- 3) Druk op "SET UP(PROG)" om de timer in te stellen voor de "OFF"-tijd en de dag voor "1OFF".
- 4) Druk op "HOUR", "MIN" en "WEEK" om de juiste dag en tijd te programmeren.
- 5) Druk indien nodig op "SET UP(PROG)" om de tweede aan/uit-instelling te vervroegen.

AAN/UIT-schakelaar om de modus in of uit te schakelen:

- 1) Druk op "ON/AUTO/OFF". Er verschijnt een indicator op het display die "ON" of "ON" aangeeft. AUTO" of "UIT" of "AUTO UIT".
- 2) Druk de indicator op "AAN". De tijd geeft een permanente "inschakeluitgang".
- 3) Druk op de indicator op "ON AUTO" of "AUTO OFF" de timer wordt ingeschakeld en gedurende de ingestelde tijd uitgeschakeld.
- 4) Druk de indicator op "OFF" om de timer uit te schakelen.

Wanneer de volgende situaties zich voordoen:

- 1) Wanneer de timer niet aan of uit gaat volgens de instellingen, controleer dan of de instellingen correct zijn, of gereset.
- 2) Als het het juiste moment is om het apparaat aan of uit te zetten, maar de timer begint al eerder te werken of vertraging bij het afsluiten. Er kunnen meerdere sets van schakelprogramma's zijn, alstublieft Controleer of de instellingen correct of gereset zijn.
- 3) Als de twee hierboven genoemde punten juist zijn, maar de timer nog steeds niet goed werkt Controleer en pas de modus aan.
- 4) Als de timer geen beeld weergeeft of een wazig beeld weergeeft, laadt u de timer op.
- 5) Als het nog steeds niet lukt als de bovenstaande situaties zijn uitgesloten, neem dan contact met ons op of de dealer om op te lossen.

WAARSCHUWING: De diffuser mag niet rechtstreeks in de vijver of het water worden gegooid. voorkom dat de slang eraf valt of dat de diffuser kantelt. Het wordt aanbevolen om het voorzichtig in het water te leggen. ONDERHOUD

ONDERHOUD

Vijverbeluchtingssystemen zijn ontworpen voor weinig onderhoud en vereisen

minimaal gepland onderhoud. Houd de kamer koel, droog en geventileerd gedurende

de compressor. y Haal

altijd de stekker uit het stopcontact voordat u onderhoud uitvoert of problemen oplost

ÿ Haal altijd de stekker uit het stopcontact en laat het onderhoud over aan een gekwalificeerde elektricien als het snoer losraakt. is beschadigd of gerafeld, compressor, vermogensregeling, compressorventilator of andere elektrische componenten produceren ongewone geluiden of geuren.

WAARSCHUWING: Compressoren zijn uitgerust met een thermische overbelastingsschakelaar.

de temperatuur hoog genoeg wordt om de overbelasting te activeren, de compressor zal uitschakelen naar beneden. Het zal dan automatisch opstarten wanneer de temperatuur daalt, zolang

er wordt stroom **toegepast. WAARSCHUWINGEN VOOR ELEKTRISCHE LUCHTCOMPRESSOREN**

Leer uw luchtcompressor kennen en lees de gebruiksaanwijzing zorgvuldig door om te begrijpen de toepassingen en beperkingen ervan, evenals specifieke potentiële gevaren die ermee gepaard gaan dit product Wijzig of modificeer het originele ontwerp of de functionaliteit van het product niet.

apparaat. Verkeerd gebruik en onjuiste behandeling kunnen letsel veroorzaken.

ÿ Volg altijd alle veiligheidsregels die worden aanbevolen door luchtcompressoren en fabrikanten van accessoires

ÿ Start niet onder druk. ÿ Wanneer u de band

wilt opblazen, mag u hem niet te hard oppompen. Volg alle instructies van de fabrikant.

voor opblaasbare artikelen.

- Controleer de luchtslang en de aansluitingen voor elk gebruik op slijtage of schade en zorg ervoor dat

Zorg ervoor dat de verbindingen goed vastzitten. Gebruik het niet als het lekt, houd de slang uit de buurt van scherpe voorwerpen, chemische lekkages, oliën, oplosmiddelen en natte vloeren.

-Zorg ervoor dat de luchtpijp vrij is van obstructies, het winden van de luchtpijp kan leiden tot verlies van evenwicht of houvast en kan schade veroorzaken.

ÿ Probeer de luchtuitlaat tijdens het gebruik niet te blokkeren of te blokkeren.

ELKE 3-6 MAANDEN -Luchtfilter :Luchtfilter reinigen/vervangen.

Overdrukventiel: controleer of er geen lucht uit het ventiel ontsnapt en vervang het indien nodig. nodig.

ELKE 24-36 MAANDEN - Luchtstroomdiffuser: Wij adviseren om de luchtstroom te inspecteren en/of

Reinig de Airflow-diffuser elke 24-36 maanden.

Probleemoplossing

Fouten	Mogelijke redenen	Verwerkingsmethode
--------	-------------------	--------------------

<p>De motor draait niet en er is geen geluid</p>	<ol style="list-style-type: none"> 1. Geen stroomvoorziening 2. De zekering is doorgebrand 3. Overbelastingsbeveiliging is in een beschermingsstatus 4. De motorstator wikkeling is verbrand 	<ol style="list-style-type: none"> 1. Controleer de stekker en schakelaar 2. Vervang de zekering 3. De motor start opnieuw na afkoeling 4. Vervang de stator
<p>De motor heeft stroom geluid maar kan niet werken of de snelheid is erg laag.</p>	<ol style="list-style-type: none"> 1. De spanning is te laag 2. De capaciteitswaarde van starten en lopen condensator daalt of is beschadigd 3. Motor spoel kortgesloten of open-circuit 4. De eenrichtingsklep of luchtklep druschakelaar is beschadigd 	<ol style="list-style-type: none"> 1. Controleer de spanning, niet minder dan 10% van de beoordeelde voltage 2. Controleren of vervangen 3. Neem contact op met een betrouwbare servicecentrum 4. Neem contact op met het betrouwbare servicecentrum
<p>Overbelasting en de beschermer herhaaldelijk de stroom uitschakelen</p>	<ol style="list-style-type: none"> 1. De spanning is te laag 2. Slechte ventilatie en hoge temperatuur 	<ol style="list-style-type: none"> 1. Controleer de spanning, niet minder dan 10% van de beoordeelde voltage 2. Plaats de luchtcompressor in een goed geventileerde plaats
<p>De luchtcompressor blijft rennen.</p>	<ol style="list-style-type: none"> 1. De luchtdrukschakelaar is beschadigd 2. Lekkage 	<ol style="list-style-type: none"> 1. Vervang de lucht druschakelaar 2. Controleer en elimineer
<p>Trillingen van luchtcompressor</p>	<ol style="list-style-type: none"> 1. Losse bevestigingsmiddelen 2. De klepplaat is beschadigd 3. De ondersteunende voetpad is beschadigd of ontbreekt 	<ol style="list-style-type: none"> 1. Controleren en elimineren 2. Inspectie en vervanging 3. Vervang de voetpad

<p>De luchttoevoer van de lucht compressor is traag of kan de opgegeven druk.</p>	<ol style="list-style-type: none"> 1. De afvoerlep staat open 2. Koude blokkade van het luchtfilter 3. De pijpleiding lekt 4. De klepplaat heeft een slechte functie of vreemde zaken of lucht lekkage 5. Overmatige slijtage van zuigerveer en cilinder 	<ol style="list-style-type: none"> 1. Draai de aftapkraan vast 2. Reinig of vervang het filter element 3. Controleer en elimineer 4. Reiniging of vervanging 5. Vervang door nieuwe producten
<p>Buitengewoon geluid</p>	<ol style="list-style-type: none"> 1. Bevestigingsmiddelen zitten los of beschadigd 2. Overmatige slijtage van zuigerveer en cilinder 3. Buitenlandse zaken komen in de luchtcompressor 4. Grote krukasbeweging 	<ol style="list-style-type: none"> 1. Controleren en vervangen 2. Vervang door nieuw producten 3. Controleer en elimineer 4. Controleren en vervangen

Fabrikant: Shanghaimuxinmuyeyouxiangongsi

Adres: Shuangchenglu 803nong11hao1602A-1609shi, baoshanqu, shanghai 200000 CN.

EG-REP: E-CrossStu GmbH.

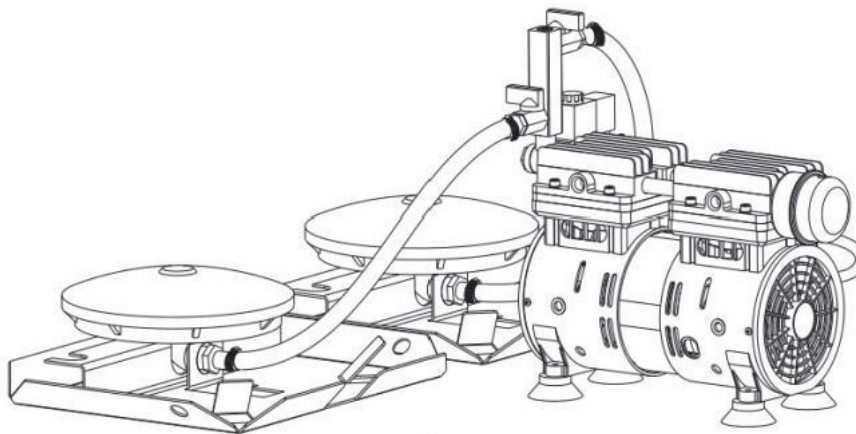
Mainzer Landstr.69, 60329 Frankfurt am Main.

LUFTNINGSSYSTEM FÖR UNDERLANDSDAMMAR

ANVÄNDARMANUAL

UNDERLANDSDAMM LUFTNINGSSYSTEM

MODELL:OLF400D





Tack så mycket för att du valde denna produkt. Vänligen läs alla instruktioner innan du använder den. Informationen hjälper dig att uppnå bästa möjliga resultat.



Varning - För att minska risken för skada måste användaren läsa instruktionerna noggrant.



Denna produkt omfattas av bestämmelserna i det europeiska direktivet 2012/19/EC. Symbolen som visar en soptunna korsad anger att produkten kräver separat sophämtning i EU. Detta gäller för produkten och alla tillbehör märkta med denna symbol. Produkter märkta som sådana får inte kasseras tillsammans med vanligt hushållsavfall, utan måste lämnas till en insamlingsplats för återvinning av elektriska och

elektroniska apparater. INSTRUKTIONER

Allmän säkerhet för elverktyg

VARNING:

Läs alla säkerhetsvarningar, instruktioner, illustrationer och specifikationer som medföljer denna kompressor. Underlåtenhet att följa alla instruktioner som anges nedan kan resultera i elektriska stötar, brand och/eller allvarliga skador. Spara alla varningar och instruktioner för framtida hänvisning.

Säkerhet på

arbetsplatsen Håll arbetsområdet rent och väl upplyst. Röriga eller mörka områden är benägna att olycka. Luftkompressorer kan inte utsättas för en explosiv miljö, såsom en miljö med brandfarlig vätska, gas eller damm.

Elektrisk säkerhet y

Luftkompressorns kontakt måste matcha uttaget och modifiera inte kontakten

hur som helst.

• Utsätt inte luftkompressorn för regn eller fukt, eller vatten som kommer in i luften
kompressor ökar risken för elektriska stötar

• Missbruk inte nätsladden, håll nätsladden borta från värme, olja, vassa
kanter, eller rörliga delar. skadade eller trassliga ledningar ökar risken för elektriska
chock

• Se till att uttaget har en effektiv jordning, vilket kan undvika att
risk för elektriska stötar.

Personlig säkerhet

• Var uppmärksam när du använder luftkompressorn, var uppmärksam på vad du är
gör, använd sunt förnuft, och använd inte elverktyg när du är trött eller under
påverkan av droger, alkohol eller droger. Allvarliga personskador kan bli följden av
tillfällig ouppmärksamhet när du använder elverktyget

• För att förhindra oavsiktlig aktivering. se till att strömbrytaren är i avstängt läge
innan du ansluter strömförsörjningen.

Försiktighetsåtgärder för användning

Om strömbrytaren inte kan slås på och av, använd inte luftkompressorn
elverktyg som inte kan styras av strömbrytaren är farligt och måste vara det
repareras.

Innan du gör några justeringar, byter tillbehör eller förvarar
kompressor, koppla ur strömkontakten, sådana försiktighetsåtgärder
minska risken för oavsiktlig start.

Tillåt inte någon som inte är bekant med luftkompressorn eller dessa
instruktioner för att använda den

Underhåll luftkompressorn och tillbehören och kontrollera om de rörliga delarna
är förskjutna eller fastnat, eller delarna är skadade, etc., vilket kan påverka
drift av elverktyget. Om det finns någon skada, reparera luftkompressorn
före användning. Många olyckor orsakas av felaktigt underhåll av strömförsörjningen.

ON/OFF-knapp för att slå på eller stänga av läge:

- 1) Tryck på "ON/AUTO/OFF" det finns en indikator på displayen som visar "ON" eller "ON
AUTO" eller "AV" eller "AUTO AV".
- 2) Tryck på indikatorn till "ON" tiden kommer att ge en permanent "switch on output"
- 3) Tryck på indikatorn till "ON AUTO" eller "AUTO OFF" timern slås på
och stängs av under den inställda tiden.
- 4) Tryck på indikatorn för att "AV" timern är avstängd.

När följande situationer inträffar:

- 1). När timern inte slås på eller av enligt inställningarna, kontrollera om inställningarna är korrekta eller återställs;
- 2) Om det är rätt tid att slå på eller av men timern börjar fungera i förväg eller fördröjning av avstängningen, det kan finnas flera uppsättningar av switchprogram, snälla kontrollera om inställningarna är korrekta återställda.
- 3). Om de ovan nämnda två punkterna är rätt, men timern fortfarande fungerar felaktigt, kontrollera och justera läget.
- 4). Om timern inte visas eller visas suddig, ladda timern.
- 5). Om det fortfarande misslyckas när ovanstående situationer är uteslutna vänligen kontakta oss eller återförsäljaren att lösa.

WARNING: Spridaren kan inte kastas direkt i dammen eller vatten till förhindra att slangen faller av eller att diffusorn välter. Det rekommenderas för att försiktigt lägga den i vattnet.

PRODUKTPARAMETER

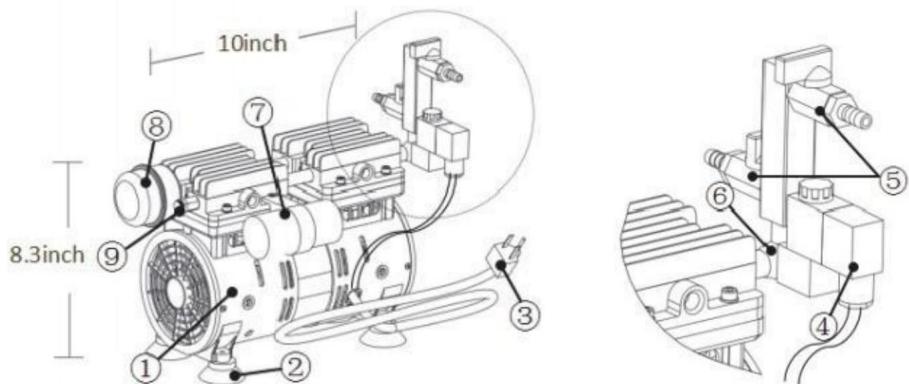
2.1 Produktspecifikation

Modell SPEC.	OLF400D-A	OLF400D-B	OLF400D-C
Spänning (V/Hz)	220~240V/50Hz		
Märkeffekt	550W		
Max.flöde	5.2CFM		
Längd på tråd	1,5 m		
Max.vattenyta	/	1 tunnland	3 tunnland
Max.vattendjup	15,2m		

Modell Delar	OLF400D-A	OLF400D-B	OLF400D-C
Luftkompressor	1	1	1
Flygbolag	×	1	2
Luftflödesdiffusor	×	1	2
Slangklämma	2	2	4
Luftfilter	1	1	1
Timer	1	1	1
Övertrycksventil	1	1	1
Backventil	1	1	1
Magnetventil	1	1	1
Ledfördelare	1	1	1
Luftflödesventil	1	1	2
Rostfri bas	×	1	2
Användarmanual	1	1	1

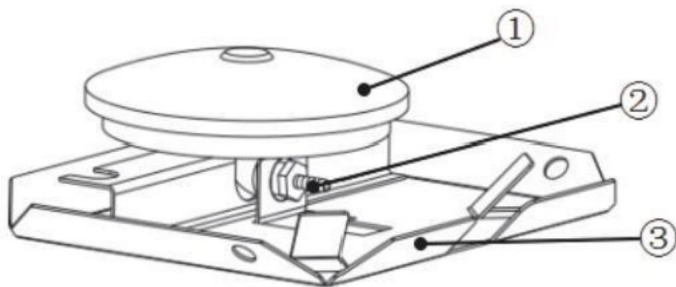
2.2 Systemkomponenter

1) Oljefri luftkompressor



- 1 Högeffektiv, tyst, oljefri, kontinuerligt gungande kolvkompressor.
- 2 gummikompressorfästen minskar buller och vibrationer för tyst drift.
- 3 st 3x1,0mm2x1,5m nätsladd.
- 4 Magnetventilen kan bättre skydda motorn från att starta med en belastning.
- 5 Enkel/dubbel diffusor luftflödesventil
- 6 Backventilen kan undvika risken för återflöde av vattenånga.
- 7 Kondensator som fungerar som en del av kompressorn. Använd inte den elektriska anslutning av den.
- 8 Luftfilter maximerar kompressorns livslängd
- 9 Övertrycksventil skyddar mot mottryck.

2) Luftflödesdiffusor



- 10 EPDM non-stick 8" membranspridare ger synergien av luftstenar samtidigt som den är praktiskt taget underhållsfri.
- 11 Rostfritt stålkoppling för luftledningen och spridarplattan.
- 12 L13,6xB11,6*fyrcantig bas i rostfritt stål för diffusorns stabilitet

3) Flygbolag

Det blyfria flygbolaget på 3/8"100 fot är tillverkat av hållbara PVC-material. Fiskkrok är resistent och knäckfri.

Anslutningssatserna som du behöver ansluta kompressorn till diffusorn.



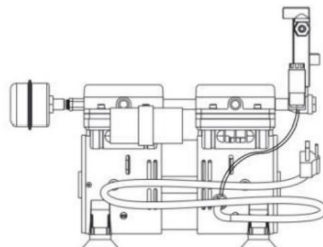
2.3 Installation

Steg 1:

Hitta en plats där kompressorn kan ventileras och skyddas från regn, solsken, även mindre damm.



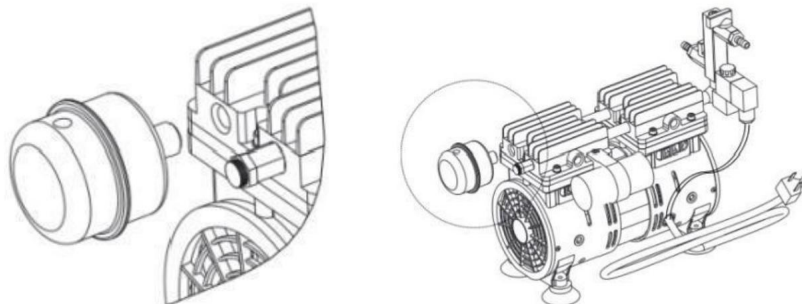
Luftfilter



Luftkompressor

Steg 2:

Skruva in luftfiltret i kompressorn precis nära övertrycksventilen. (Använd teflontejp om det behövs.)



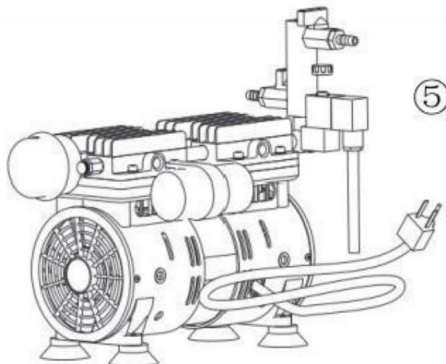
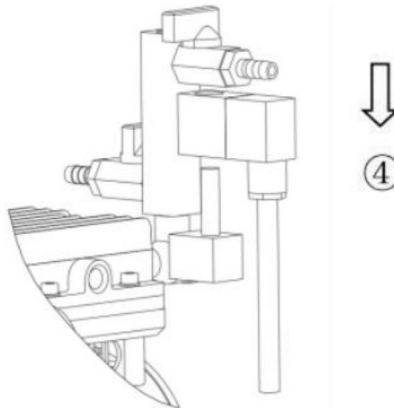
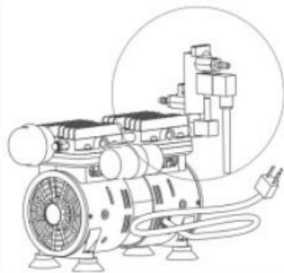
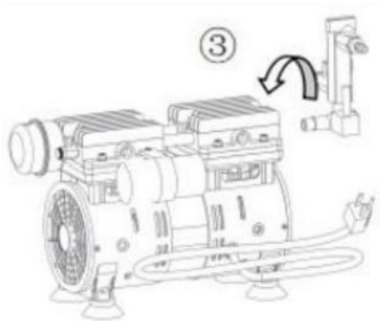
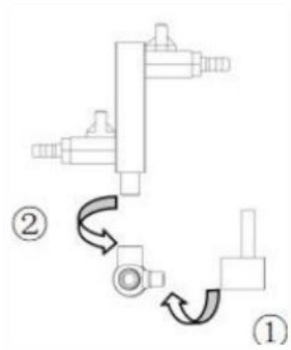
Steg 3:

Använd din spade för att gräva ett dike från skyddet till dammen. Det minsta djupet på diket bör inte vara mindre än 8 tum för att skydda luftröret. Vi rekommenderar att du markerar verktygsledningarna innan du börjar gräva.

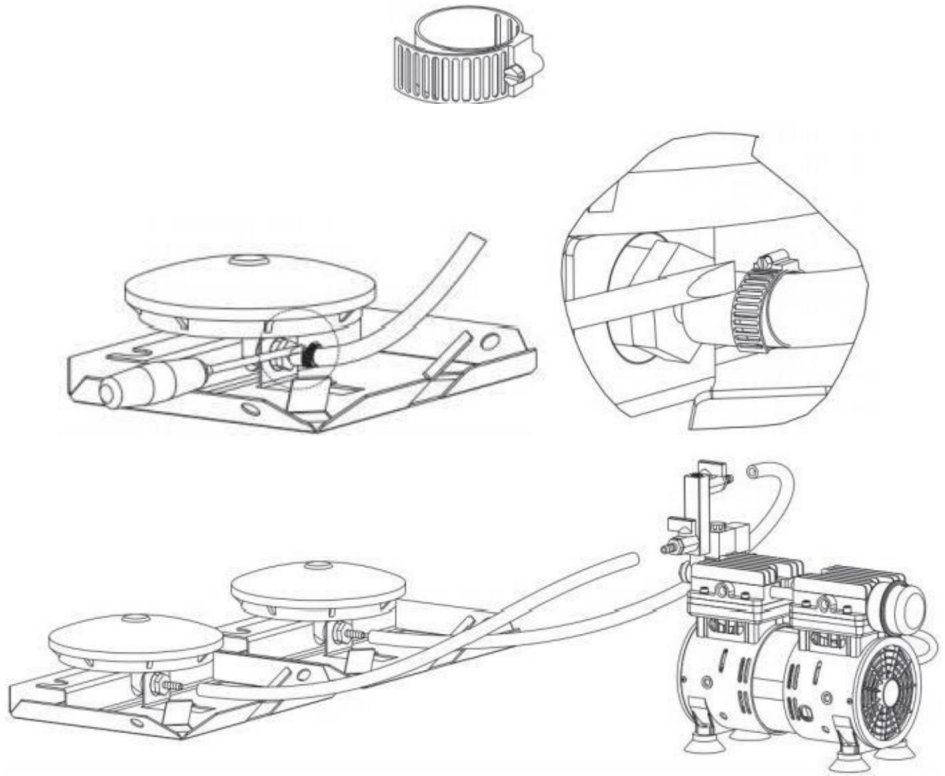
Om längden på standardluftslangen inte räcker, kan vi tillhandahålla en längre luftslang.

Steg 4:

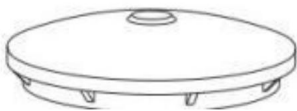
Ta med tillbehören. Dra åt magnetventilbasen och 1/8-gränssnittet på backventilen, dra sedan åt fyrkantsröret med 1/4-gängan och dra sedan åt enheten med avgashålet på luftkompressorns cylinderhuvud. Efter att ovanstående åtgärder är klara, trä på det gjutna skalet på magnetventilen på basen och dra åt det med ett svart skruvlock. Observera att alla gängade anslutningar måste använda råmaterialtejpen för att linda gängorna för att förhindra dålig tätning.



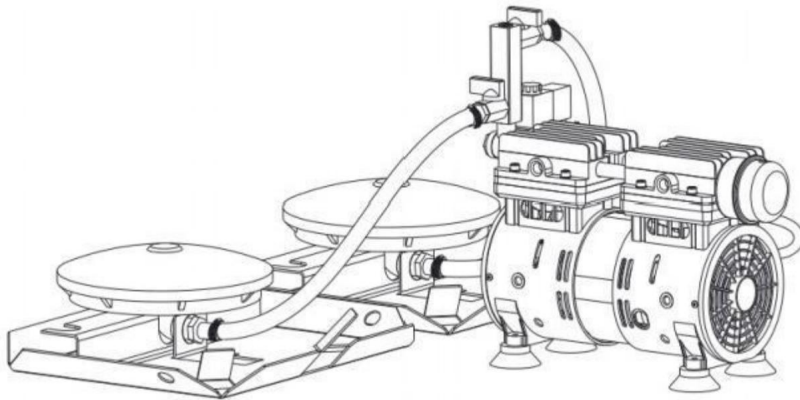
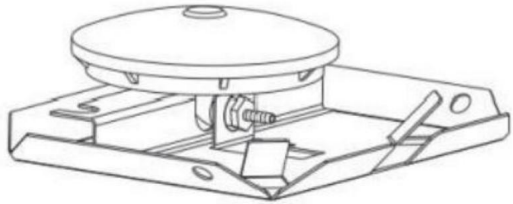
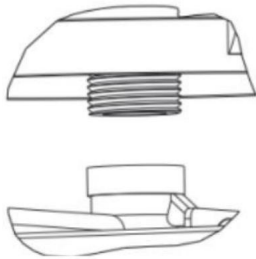
Steg 5: Anslut de två ändarna av lufröret med luftflödesventilen på luftkompressorn och pagodanslutningen på luftningsskivan, och lås och fixera dem med en slangklämma.



Steg 6: Skruva och fixera luftnings-skivan på basen av rostfritt stål.



8" EPDM diffusorplatta



2.4 Drift

Kontrollera följande punkter minst en gång om dagen under drift. 1) Finns det något onormalt ljud; 2) Om pumpen är onormalt varm; 3) Om avgaserna är normala; 4) Är ljuddämparen igensatt?

Maskinen kan fungera efter att strömmen slagits på. Luftningssystemet är utrustat med timers för användare att ställa in maskinens öppnings- och stängningsläge efter det faktiska klimatet.

Timer:

Inledning: Timern kan ställa in öppnings- och stängningstiden oberoende för att spara energi och minska förbrukningen och förbättra motorns livslängd. Användaren kan regelbundet justera arbetstiden för luftningssystemet enligt

vädermiljö. Till exempel under regnperioden, om dammen är syre
bristfällig kommer luftningssystemet att slås på i 2 timmar och stängas av i en halv
timme för att hjälpa dammen att syresättas.
Min. inställningstid är 1 sek/min. Den kan ställa in 8/20 program på och av varje dag
Funktionsläget är uppdelat i normalt öppet läge och tidsläge.

Knappinstruktioner:

"CLOCK" funktionstangent, lämna den aktuella inställningen.

"SET UP (PROG)": ställ in 8/20 grupper av på och av.

"MODE": växling av styrläge "SEC" ställ in sekunderna.

"HOUR": ställ in timmarna.

"VECKAN" ställer in veckorna.

"MINUT": ställ in minuterna.

"RESET": återställ grupperna på och av.

Tidsinställning:

Rätt tid på dagen och veckodagen måste ställas in innan du använder timern för
första gången.

- 1) Tryck på "CLOCK" och "WEEK" för att ställa in veckodagen. Tryck på "WEEK" för
mer än 2 sekunder kan den justeras snabbt.
- 2) Tryck på "CLOCK" och "HOUR" för att ställa in klockan på dygnet. Tryck på "HOUR" för mer
än 2 sekunder kan den justeras snabbt.
- 3) Tryck på "CLOCK" och "MN" för att ställa in minuter. Tryck på "MIN" i mer än 2 sekunder.
kan justeras snabbt.
- 4) Tryck på "CLOCK" och "SEC" för att ställa in dagen för den andra. Tryck på "SEC" för mer
än 2 sekunder kan den justeras snabbt.

Programinställning:

Det finns 8/20 möjliga programkombinationer tillgängliga.

- 1) Tryck på "SET UP (PROG)" för att gå in i programläge. Displayen visar en "10N" in
vänster sida av displayen.
- 2) Tryck på "HOUR""MN" och "WEEK" för att programmera in rätt dag och tid när du
önskar att timern ska slås på.

- 3) Tryck på "SET UP(PROG)" för att ställa in timern för "OFF" tid och dag för "1OFF".
- 4) Tryck på "HOUR""MIN" och "WEEK" för att programmera in rätt dag och tid.
- 5) Om det behövs, tryck på "SET UP(PROG)" för att flytta fram den andra på/förskjutningen.

ON/OFF-knapp för att slå på eller stänga av läge:

- 1) Tryck på "ON/AUTO/OFF" det finns en indikator på displayen som visar "ON" eller "ON AUTO" eller "OFF" eller "AUTO OFF".
- 2) Tryck på indikatorn till "ON" tiden kommer att ge en permanent "switch on output".
- 3) Tryck på indikatorn till "ON AUTO" eller "AUTO OFF" timern kommer att slås på och stängs av under den inställda tiden.
- 4) Tryck på indikatorn för att "AV" timern är avstängd.

När följande situationer inträffar:

- 1) När timern inte slås på eller av enligt inställningarna, kontrollera om inställningarna är korrekta eller återställs.
- 2) Om det är rätt tid att slå på eller av men timern börjar fungera i förväg eller fördröjning av avstängningen. Det kan finnas flera uppsättningar växlande program, tack kontrollera om inställningarna är korrekta återställda.
- 3) Om de ovan nämnda två punkterna är rätt men timern fortfarande fungerar felaktigt kontrollera och justera läget.
- 4) Om timern inte visas eller är suddig, ladda timern.
- 5) Om det fortfarande misslyckas när ovanstående situationer är uteslutna, vänligen kontakta oss eller återförsäljaren att lösa.

WARNING: Spridaren kan inte kastas direkt i dammen eller vatten till förhindra att slangen faller av eller att diffusorn välter. Det rekommenderas för att försiktigt lägga den i vattnet. **UNDERHÅLL**

UNDERHÅLL

Dammluftningssystem är designade för lågt underhåll och kräver minimalt planerat underhåll. Håll rummet svalt, torrt och ventilerat för kompressorn. ÿ

Koppla alltid ur systemet innan du utför underhåll eller felsökning

• Koppla alltid ur systemet och överlåt service till en kvalificerad elektriker när sladden är skadad eller sliten, kompressor, effektkontroll, kompressorfläkt eller annan elektrisk utrustning komponenter producerar ovanliga ljud eller lukter.

VARNING: Kompressorer är utrustade med en termisk överbelastningsbrytare. If temperaturen blir tillräckligt hög för att lösa ut överbelastningen, kommer kompressorn att stängas ner. Den startar sedan automatiskt när temperaturen sjunker så länge som

ström tillsätts. **ELECTRIC LUFTKOMPRESSORVARNINGAR**

Lär känna din luftkompressor och läs bruksanvisningen noggrant för att förstå dess tillämpningar och begränsningar. liksom specifika potentiella faror i samband med denna produkt. Ändra eller modifiera inte den ursprungliga designen eller funktionaliteten hos Felaktig användning och felaktig hantering kan orsaka skada. • Följ alltid alla säkerhetsregler som rekommenderas av luftkompressorer och tillbehörstillverkare

• Starta inte under tryck. • När den används för att blåsa upp, blås inte upp för mycket, följ alla tillverkarens instruktioner för uppblåsbara föremål.

- Inspektera luftslangen och kopplingarna för slitage eller skador före varje användning, och gör se till att anslutningarna är säkra. Använd den inte om den läcker, håll slangen borta från vassa föremål, kemikaliespill, oljor, lösningsmedel och våta golv.

-Se till att lufröret är fritt från hinder, lindning av lufröret kan orsaka förlust av balans eller fotfäste och kan skada. • Försök inte att blockera eller blockera luftutloppet under drift.

VAR 3-6 MÅNAD - Luftfilter: Rengör/byt luftfilter.

Övertrycksventil: Kontrollera att luft inte kommer ut från ventilen och byt ut den behövs.

VAR 24-36 MÅNAD - Luftflödesdiffusor: Vi rekommenderar inspektion och/eller rengöring av luftflödesdiffusorn var 24-36:e månad.

Felsökning

Fel	Possible skäl	Bearbetningsmetod
-----	---------------	-------------------

<p>Motorn roterar inte och det finns inget ljud</p>	<ol style="list-style-type: none"> 1. Ingen strömförsörjning 2. Säkringen har gått 3. Överbelastningsskydd är i skyddstillstånd 4. Motorstatorn lindningen är bränd 	<ol style="list-style-type: none"> 1. Kontrollera kontakten och strömbrytare 2. Byt ut säkringen 3. Motorn startar om efter kylning 4. Byt ut statorn
<p>Motorn har ström ljud men kan inte fungera eller så är hastigheten väldigt låg.</p>	<ol style="list-style-type: none"> 1. Spänningen är för låg 2. Kapacitansvärdet av att starta och springa kondensatorn faller eller är skadad 3. Motorspolen kortsloten eller öppen krets 4. Envägsventilen eller luft tryckbrytaren är skadad 	<ol style="list-style-type: none"> 1. Kontrollera spänningen, nej mindre än 10 % av betyget yoltage 2. Kontrollera eller byt ut 3. Kontakta en pålitlig service-center 4. Kontakta det pålitliga servicecentret
<p>Överbelastning och skyddet stäng av strömmen upprepade gånger</p>	<ol style="list-style-type: none"> 1. Spänningen är för låg 2. Dålig ventilation och hög temperatur 	<ol style="list-style-type: none"> 1. Kontrollera spänningen, inte mindre än 10 % av den rankade voltag 2. Sätt in luftkompressorn en välventilerad plats
<p>Luftkompressorn fortsätter springa.</p>	<ol style="list-style-type: none"> 1. Lufttrycksvakten är skadad 2. Läckage 	<ol style="list-style-type: none"> 1. Byt ut luften tryckvakt 2. Kontrollera och eliminera
<p>Luftkompressor vibration</p>	<ol style="list-style-type: none"> 1. Lösa fästelement 2. Ventilplattan är skadad 3. Den stödjande trampdynan är skadad eller saknas 	<ol style="list-style-type: none"> 1. Kontrollera och eliminera 2. Besiktning och ersättning 3. Sätt tillbaka trampdynan

<p>Lufttillförseln av luften kompressorn är långsam eller kan inte nå specificerat tryck.</p>	<ol style="list-style-type: none"> 1. Dräneringsventilen är öppen 2. Kallblockering av luftfiltret 3. Rörledningen läcker 4. Ventilplattan har en dålig funktion eller främmande angelägenheter eller luftläckage 5. Överdrivet slitage av kolring och cylinder 	<ol style="list-style-type: none"> 1. Dra åt avtappningsventilen 2. Rengör eller byt ut filtret element 3. Kontrollera och eliminera 4. Rengöring eller byte 5. Ersätt med nya produkter
<p>Extraordinärt ljud</p>	<ol style="list-style-type: none"> 1. Fästelementen är lösa eller skadad 2. Överdrivet slitage av kolring och cylinder 3. Utländska ärenden kommer in luftkompressorn 4. Stor vevsving 	<ol style="list-style-type: none"> 1. Kontrollera och byt ut 2. Ersätt med ny produkter 3. Kontrollera och eliminera 4. Kontrollera och byt ut

Tillverkare: Shanghai muxin muyeyouxiangongsi

Adress: Shuangchenglu 803nong11hao1602A-1609shi, baoshanqu, shanghai 200000 CN.

EC REP: E-CrossStu GmbH.

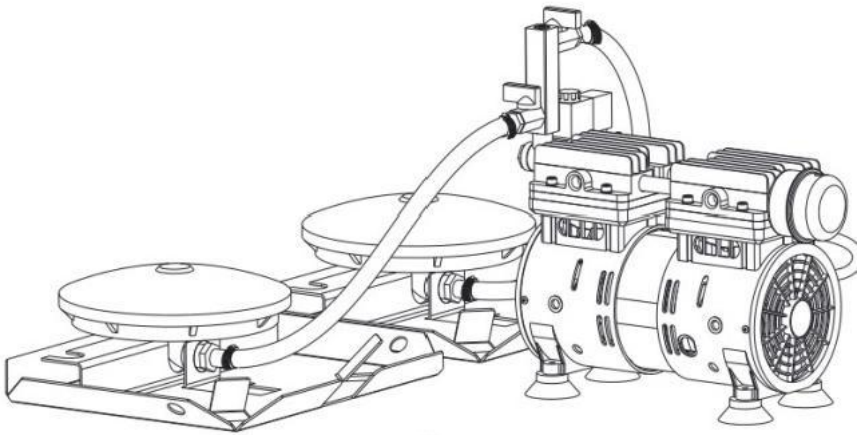
Mainzer Landstr.69, 60329 Frankfurt am Main.

SISTEMA DE AIREACIÓN DE ESTANQUES SUBTERRÁNEOS

MANUAL DEL USUARIO



ESTANQUE SUBTERRÁNEO
SISTEMA DE AIREACIÓN

MODELO:OLF400D





Muchas gracias por elegir este producto. Lea todas las instrucciones. instrucciones antes de usarlo. La información le ayudará a lograr los mejores resultados posibles.

	Advertencia: Para reducir el riesgo de lesiones, el usuario debe leer atentamente el manual de instrucciones.
	Este producto está sujeto a las disposiciones de la Directiva Europea 2012/19/CE. El símbolo que muestra un contenedor de basura tachado indica que el producto requiere una recogida selectiva de residuos en la Unión Europea. Esto se aplica al producto y a todos los accesorios marcados con este símbolo. Los productos marcados como tales no pueden desecharse con los residuos domésticos normales, sino que deben llevarse a un punto de recogida para reciclar aparatos eléctricos y electr

dispositivos electronicos.INSTRUCCIONES

Seguridad general con herramientas eléctricas

ADVERTENCIA:

Lea todas las advertencias de seguridad, instrucciones, ilustraciones y especificaciones que vienen con este compresor. Si no sigue todas las instrucciones que se enumeran a continuación, podría producirse una descarga eléctrica, un incendio o lesiones graves. Guarde todas las advertencias e instrucciones para futuras consultas. referencia.

Seguridad en el espacio

de trabajo Mantenga el área de trabajo limpia y bien iluminada. Las áreas desordenadas u oscuras son propensas a accidentes. Los compresores de aire no pueden exponerse a un entorno explosivo, como un entorno con líquidos, gases o polvos inflamables.

Seguridad eléctrica

El enchufe del compresor de aire debe coincidir con la toma de corriente y no modifique el enchufe.

de todos modos.

No exponga el compresor de aire a la lluvia ni a la humedad, ni permita que entre agua en el aire.

El compresor aumentará el riesgo de descarga eléctrica.

No abuse del cable de alimentación, manténgalo alejado del calor, aceite y objetos afilados. bordes o partes móviles. Los cables dañados o enredados aumentarán el riesgo de descarga eléctrica. choque

Asegúrese de que el enchufe tenga una conexión a tierra efectiva, que pueda evitar Riesgo de descarga eléctrica.

Seguridad personal

Esté alerta al operar el compresor de aire, preste atención a lo que está haciendo.

Al hacerlo, use el sentido común y no utilice herramientas eléctricas cuando esté cansado o bajo los efectos del alcohol. influencia de drogas, alcohol o drogas. Pueden producirse lesiones personales graves. falta de atención momentánea al operar la herramienta eléctrica

Para evitar la activación accidental, asegúrese de que el interruptor esté en la posición de apagado. antes de conectar la fuente de alimentación.

Precauciones de uso

Si el interruptor no se puede encender ni apagar, no utilice el compresor de aire.

La herramienta eléctrica que no se puede controlar con el interruptor es peligrosa y debe reparado.

Antes de realizar cualquier ajuste, reemplazar accesorios o almacenar el compresor, desconecte el enchufe de alimentación, tales medidas de seguridad de precaución reducir el riesgo de un arranque accidental.

No permita que nadie que no esté familiarizado con el compresor de aire o estos

Instrucciones para operarlo

Mantenga el compresor de aire y sus accesorios, y verifique si las partes móviles están dislocados o atascados, o las piezas están dañadas, etc., lo que puede afectar el Funcionamiento de la herramienta eléctrica. Si hay algún daño, repare el compresor de aire.

Antes de usar. Muchos accidentes son causados por un mantenimiento inadecuado de la fuente de alimentación.

Interruptor ON/OFF para encender o apagar el modo:

1) Presione "ON/AUTO/OFF"; hay un indicador en la pantalla que muestra "ON" o "ON" "AUTO" o "OFF" o "AUTO OFF".

2). Presione el indicador en "ON" el tiempo dará una "salida de encendido" permanente

3). Presione el indicador en "ON AUTO" o "AUTO OFF" y el temporizador se encenderá. y se apagará durante el tiempo establecido.

4). Presione el indicador en "OFF" para apagar el temporizador.

Cuando ocurran las siguientes situaciones:

- 1). Cuando el temporizador no se enciende o apaga según la configuración, verifique si los ajustes son correctos, o reiniciados;
- 2) Si es el momento adecuado para encender o apagar pero el temporizador comienza a funcionar antes o retraso en el apagado, puede haber varios conjuntos de programas de conmutación, por favor Compruebe si los ajustes se han restablecido correctamente.
- 3). Si los dos puntos mencionados anteriormente son correctos, pero el temporizador aún funciona incorrectamente, verifique y ajuste el modo.
- 4). Si el temporizador no muestra nada o lo muestra borroso, cárguelo.
- 5). Si aún falla cuando se descartan las situaciones anteriores, comuníquese con nosotros o el distribuidor debe resolverlo.

ADVERTENCIA: El difusor no se puede arrojar directamente al estanque o al agua para evitar que la manguera se caiga o que el difusor se vuelque. Se recomienda Ponerlo en el agua con cuidado.

PARÁMETRO DEL PRODUCTO

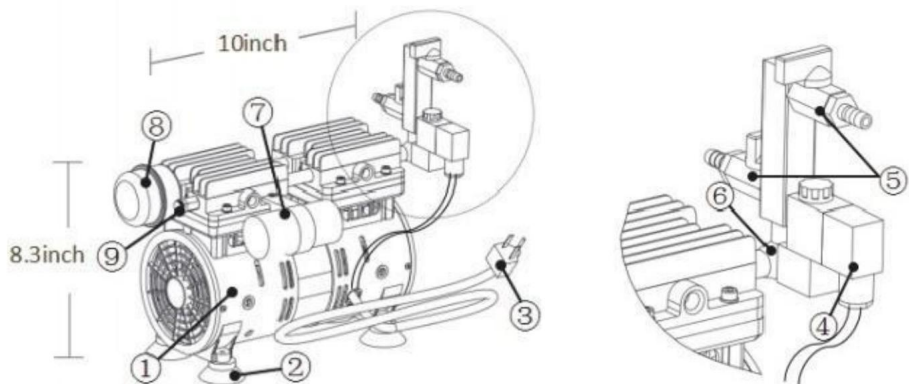
2.1 Especificaciones del producto

Modelo ESPECULACIÓN.	OLF400D-A	OLF400D-B	OLF400D-C
Voltaje (V/Hz)	220 ~ 240 V/50 Hz		
Potencia nominal	550 W		
Caudal máximo	5.2 pies cúbicos por minuto		
Longitud del cable	1,5 m		
Área máxima de agua	/	1 acre	3 acres
Profundidad máxima del agua	15.2 millones		

Modelo Regiones	OLF400D-A	OLF400D-B	OLF400D-C
Compresor de aire	1	1	1
Aerolínea	x	1	2
Difusor de flujo de aire	x	1	2
Abrazadera de manguera	2	2	4
Filtro de aire	1	1	1
Minutero	1	1	1
Válvula de alivio de presión	1	1	1
Controlador de el volumen	1	1	1
Válvula solenoide	1	1	1
Distribuidor de juntas	1	1	1
Válvula de flujo de aire	1	1	2
Base de acero inoxidable	x	1	2
Manual del usuario	1	1	1

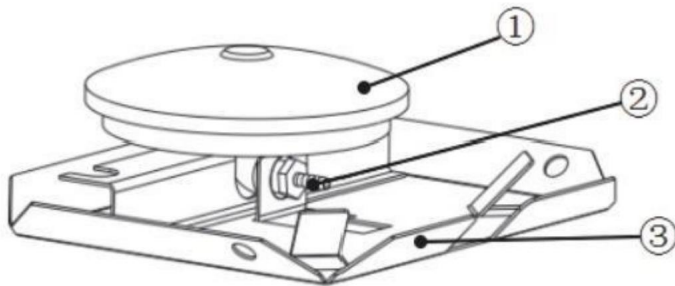
2.2 Componentes del sistema

1) Compresor de aire sin aceite



- 1 Compresor de pistón oscilante de alta eficiencia, silencioso, sin aceite y de servicio continuo.
- 2 soportes de goma para compresor reducen el ruido y la vibración para un funcionamiento silencioso.
- 3 Cable de alimentación con enchufe de 3x1,0 mm2x1,5 m.
- 4 La válvula solenoide puede proteger mejor el motor al arrancar con carga.
- 5 Válvula de flujo de aire de difusor simple/doble
- 6 La válvula de retención puede evitar el riesgo de reflujo de vapor de agua.
- 7 Condensador que funciona como parte del compresor. No opere el equipo eléctrico. conexión del mismo.
- 8 El filtro de aire maximiza la vida útil del compresor.
- 9 La válvula de alivio de presión protege contra la contrapresión.

2) Difusor de flujo de aire



10 varillas difusoras de membrana antiadherentes de EPDM de 8" proporcionan la sinergia de las piedras difusoras y prácticamente no requiere mantenimiento.

11 Conector de acero inoxidable para la línea de aire y la placa difusora.

12 L13,6 x W11,6" Base cuadrada de acero inoxidable para la estabilidad del difusor.

3) Aerolínea

La línea aérea sin plomo de 3/8" y 100 pies está hecha de Materiales de PVC duraderos. El anzuelo es resistente. y sin torceduras.

Los kits de conectores que necesitas para conectar El compresor al difusor.



2.3 Instalación

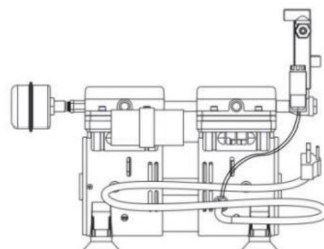
Paso 1:

Busque un lugar donde el compresor esté ventilado y protegido.

Lluvia, sol y también menos polvo.



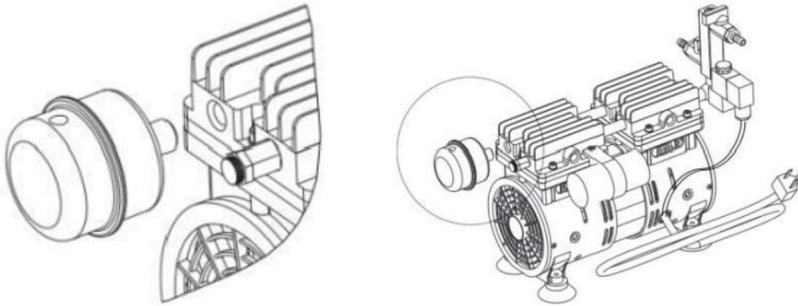
Filtro de aire



Compresor de aire

Paso 2:

Atornille el filtro de aire en el compresor justo cerca de la válvula de alivio de presión. (Use cinta de teflón si es necesario).



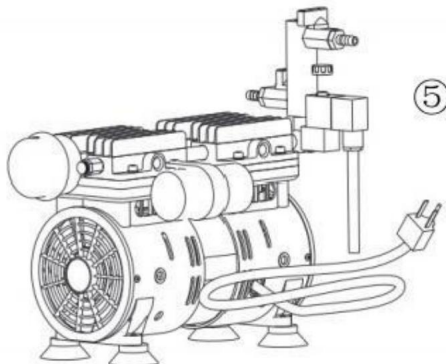
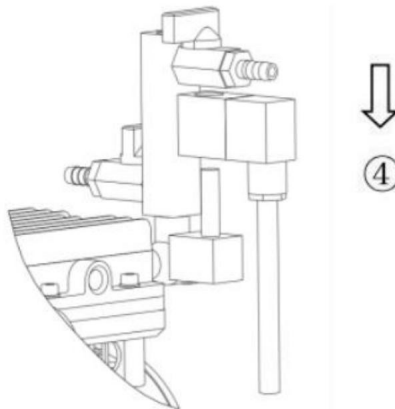
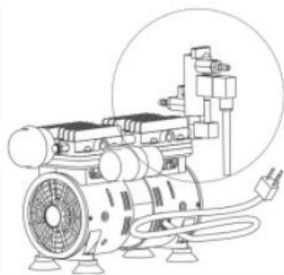
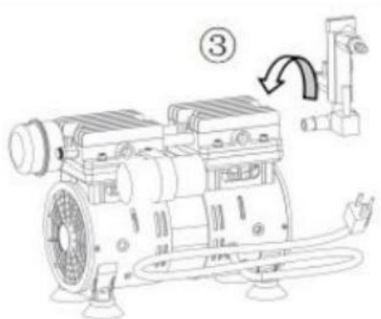
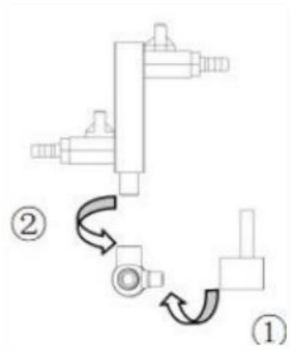
Paso 3:

Use su pala para cavar una zanja desde el refugio hasta el estanque. La profundidad mínima de la zanja no debe ser inferior a 8 pulgadas para proteger la tubería de aire. Recomendamos marcar las líneas de servicios públicos antes de comenzar la excavación.

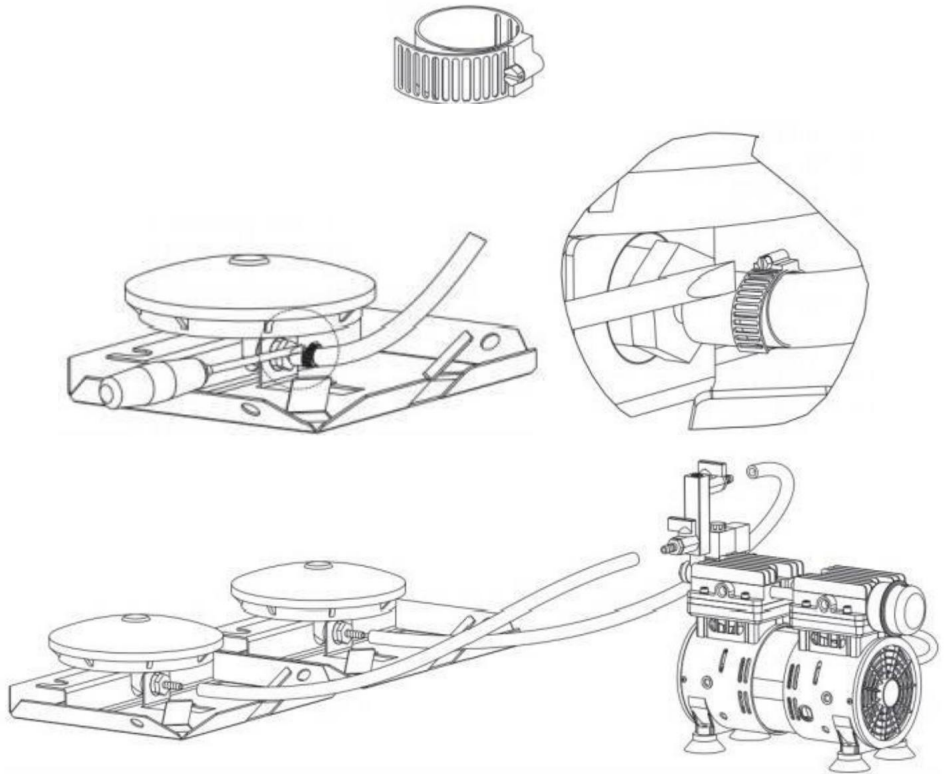
Si la longitud del tubo de aire estándar no es suficiente, podemos proporcionar un tubo de aire más largo.

Paso 4:

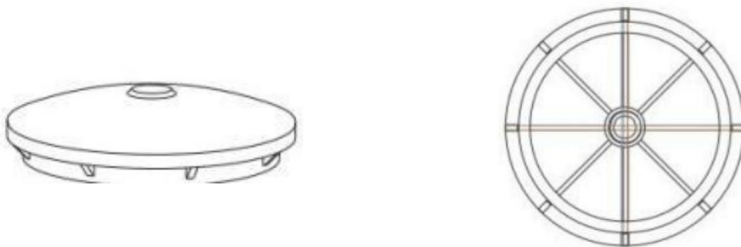
Tome los accesorios adjuntos. Apriete la base de la válvula solenoide y la interfaz de 1/8 de la válvula de retención, luego apriete el tubo cuadrado con la rosca de 1/4 y luego apriete el conjunto con el orificio de escape de la culata del cilindro del compresor de aire. Después de completar las acciones anteriores, enrosque la carcasa moldeada de la válvula solenoide en la base y apriétela con un tapón de rosca negro. Tenga en cuenta que todas las conexiones roscadas deben usar la cinta de materia prima adjunta para envolver las roscas para evitar un sellado deficiente.



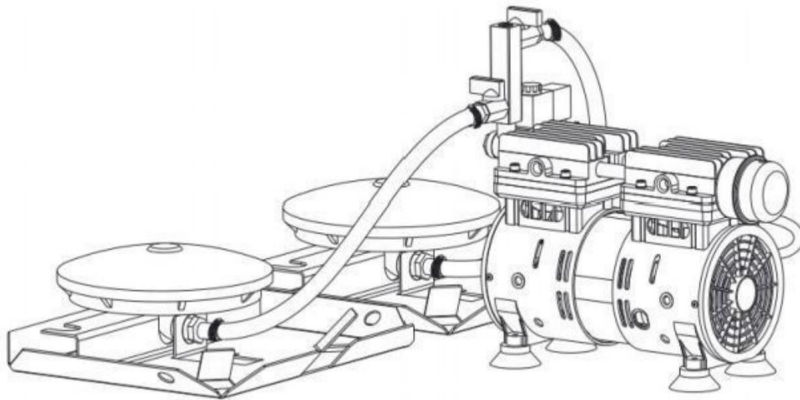
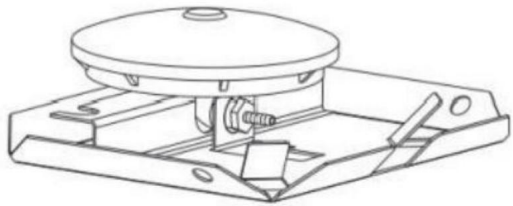
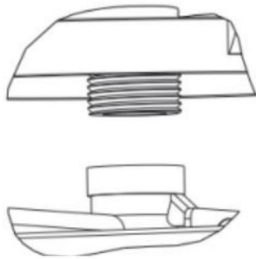
Paso 5: Conecte los dos extremos del tubo de aire con la válvula de flujo de aire en el compresor de aire y el conector pagoda en el disco de aireación, y bloquéelos y fíjelos con una abrazadera de manguera.



Paso 6: Atornille y fije el disco de aireación en la base de acero inoxidable.



Placa difusora de EPDM de 8"



2.4 Operación

Verifique los siguientes elementos al menos una vez al día durante la operación.

- 1) ¿Hay algún sonido anormal?;
- 2) Si la bomba está anormalmente caliente;
- 3) Si el escape es normal;
- 4) ¿Está obstruido el silenciador?

La máquina puede funcionar después de encenderla. El sistema de aireación está equipado con temporizadores para que los usuarios configuren el modo de apertura y cierre de la máquina según el clima real.

Minutero:

Introducción: El temporizador puede configurar el tiempo de apertura y cierre de forma independiente para ahorrar energía y reducir el consumo y mejorar la vida útil del motor. El usuario puede ajustar regularmente el tiempo de funcionamiento del sistema de aireación según las necesidades.

entorno climático. Por ejemplo, en la temporada de lluvias, si el estanque tiene oxígeno

En caso de deficiencia, el sistema de aireación se encenderá durante 2 horas y se apagará durante media hora.

hora para ayudar a oxigenar el estanque.

El tiempo mínimo de configuración es de 1 s/min. Puede configurar 8/20 programas de encendido y apagado todos los días.

El modo de función se divide en estado abierto normal y estado de temporización.

Instrucciones de los botones:

Tecla de función "CLOCK", salir de la configuración actual.

"SET UP(PROG)": establece 8/20 grupos de encendido y apagado.

"MODE": cambio del modo de control. "SEC" establece los segundos.

"HORA": establece las horas.

"SEMANA" establece las semanas.

"MINUTO": establece los minutos.

"RESET": reinicia los grupos de encendido y apagado.

Ajuste de hora:

Se debe configurar la hora correcta del día y el día de la semana antes de usar el temporizador.
primer tiempo.

1) Pulse "RELOJ" y "SEMANA" para configurar el día de la semana. Pulse "SEMANA" para
más de 2 segundos, se puede ajustar rápidamente.

2) Presione "RELOJ" y "HORA" para configurar la hora del día. Presione "HORA" para obtener más información.
de 2 segundos, se puede ajustar rápidamente.

3) Presione "CLOCK" y "MN" para configurar los minutos. Presione "MIN" durante más de 2 segundos.
Se puede ajustar rápidamente.

4) Presione "CLOCK" y "SEC" para configurar el día del segundo. Presione "SEC" para más
de 2 segundos, se puede ajustar rápidamente.

Configuración del programa:

Hay 8/20 combinaciones de programas posibles disponibles.

1) Presione "SET UP(PROG)" para ingresar al modo de programación. La pantalla mostrará "10N" en
el lado izquierdo de la pantalla.

2) Presione "HORA", "MN" y "SEMANA" para programar el día y la hora correctos en que
Deseo que el temporizador se encienda.

- 3) Presione "SET UP(PROG)" para configurar el temporizador para la hora "OFF" y el día para "1OFF".
- 4) Presione "HORA", "MIN" y "SEMANA" para programar el día y la hora correctos.
- 5) Si es necesario, presione "SET UP(PROG)" para avanzar al segundo encendido/apagado.

Interruptor ON/OFF para encender o apagar el modo:

- 1) Presione "ON/AUTO/OFF"; hay un indicador en la pantalla que muestra "ON" o "ON" AUTO" o "OFF" o "AUTO OFF".
- 2) Presione el indicador en "ON", el tiempo dará una "salida de encendido" permanente.
- 3) Presione el indicador en "ON AUTO" o "AUTO OFF" el temporizador se encenderá y se apagará durante el tiempo establecido.
- 4) Presione el indicador en "OFF" el temporizador se apaga.

Cuando ocurran las siguientes situaciones:

- 1) Cuando el temporizador no se enciende o apaga según la configuración, verifique si La configuración es correcta o se reinicia.
- 2) Si es el momento adecuado para encender o apagar pero el temporizador comienza a funcionar antes o Retraso en el apagado. Puede haber varios conjuntos de programas de conmutación, por favor Compruebe si los ajustes se han restablecido correctamente.
- 3) Si los dos puntos mencionados anteriormente son correctos pero el temporizador aún funciona incorrectamente Por favor verifique y ajuste el modo.
- 4) Si el temporizador no muestra nada o lo muestra borroso, cárguelo.
- 5) Si aún falla cuando se descartan las situaciones anteriores, comuníquese con nosotros o el distribuidor debe resolverlo.

ADVERTENCIA: El difusor no se puede arrojar directamente al estanque o al agua para evitar que la manguera se caiga o que el difusor se vuelque. Se recomienda para introducirlo en el agua con cuidado. MANTENIMIENTO

MANTENIMIENTO

Los sistemas de aireación de estanques están diseñados para requerir poco mantenimiento y Mantenimiento programado mínimo. Mantenga la habitación fresca, seca y ventilada durante el compresor. Siempre desenchufe el sistema antes de realizar cualquier mantenimiento o solución de problemas.

Siempre desenchufe el sistema y solicite servicio a un electricista calificado cuando el cable está dañado o desgastado, compresor, control de potencia, ventilador del compresor u otro componente eléctrico. Los componentes están produciendo ruidos u olores inusuales.

ADVERTENCIA: Los compresores están equipados con un interruptor de sobrecarga térmica.

La temperatura se vuelve lo suficientemente alta como para activar la sobrecarga y el compresor se apagará.

Abajo. Luego se iniciará automáticamente cuando la temperatura disminuya siempre que

Se aplica energía. ADVERTENCIAS SOBRE EL COMPRESOR DE AIRE ELÉCTRICO

Conozca su compresor de aire y lea atentamente el manual de funcionamiento para comprender sus aplicaciones y limitaciones, así como los riesgos potenciales específicos asociados con Este producto No altere ni modifique el diseño original ni la funcionalidad del mismo.

dispositivo. El mal uso y la manipulación inadecuada pueden causar lesiones. Siga siempre todas las normas de seguridad recomendadas por los compresores de aire y fabricantes de accesorios

No arranque bajo presión. Cuando se utilice para inflar, no infle demasiado, siga todas las instrucciones del fabricante. Para artículos inflables.

-Inspeccione la manguera de aire y los accesorios para detectar desgaste o daños antes de cada uso y asegúrese de que no estén desgastados ni dañados.

Asegúrese de que las conexiones estén seguras. No lo use si tiene fugas, mantenga la manguera alejada objetos afilados, derrames de productos químicos, aceites, disolventes y suelos mojados.

-Asegúrese de que la tráquea esté libre de obstrucciones, ya que enrollarla puede causar pérdida de equilibrio o de apoyo y puede causar daños.

No intente bloquear ni obstruir la salida de aire durante el funcionamiento.

CADA 3-6 MESES -Filtro de aire: Limpie/reemplace el filtro de aire.

Válvula de alivio de presión: verifique que no se escape aire de la válvula y reemplácela si es necesario. necesario.

CADA 24-36 MESES -Difusor de flujo de aire: Recomendamos inspeccionar y/o

Limpieza del difusor Airflow cada 24-36 meses.

Solución de problemas

Defectos	Posibles razones	Método de procesamiento
----------	------------------	-------------------------

<p>El motor no gira y no hay sonido</p>	<p>1.No hay fuente de alimentación</p> <p>2.El fusible está fundido</p> <p>3.El protector de sobrecarga es En estado de protección</p> <p>4 El estator del motor</p> <p>El bobinado está quemado</p>	<p>1.Compruebe el enchufe y interruptor 2.Reemplace el fusible</p> <p>3. El motor se reiniciará.</p> <p>Después de enfriarse</p> <p>4. Reemplace el estator</p>
<p>El motor tiene corriente Suenan pero no funciona o la velocidad es muy lenta.</p>	<p>1. El voltaje es demasiado bajo.</p> <p>2. El valor de la capacitancia de arranque y funcionamiento el condensador cae o está dañado</p> <p>3. Bobina del motor en cortocircuito. o en circuito abierto</p> <p>4.La válvula unidireccional o de aire</p> <p>El interruptor de presión está dañado</p>	<p>1.Compruebe el voltaje, no menos del 10% de lo calificado yoltage</p> <p>2.Verificar o reemplazar</p> <p>3. Contacta con un proveedor confiable centro de servicio</p> <p>4. Póngase en contacto con el centro de servicio confiable</p>
<p>Sobrecarga y el protector cortar la energía repetidamente</p>	<p>1. El voltaje es demasiado bajo.</p> <p>2. Mala ventilación y temperatura alta</p>	<p>1. Verifique el voltaje, no menos del 10% del yoltage calificado</p> <p>2. Coloque el compresor de aire en un lugar bien ventilado</p>
<p>El compresor de aire sigue funcionando</p>	<p>1.El interruptor de presión de aire es dañado</p> <p>2. Fugas</p>	<p>1. Reemplace el aire interruptor de presión</p> <p>2.Comprobar y eliminar</p>
<p>Vibración del compresor de aire</p>	<p>1. Sujetadores sueltos</p> <p>2.La placa de la válvula es dañado</p> <p>3. La almohadilla del pie de apoyo</p> <p>Está dañado o falta</p>	<p>1.Comprobar y eliminar</p> <p>2. Inspección y reemplazo</p> <p>3. Reemplace la almohadilla del pie</p>

<p>El suministro de aire del aire El compresor es lento o no puede alcanzar el presión especificada.</p>	<ol style="list-style-type: none"> 1.La válvula de drenaje está abierta. 2. Bloqueo del filtro de aire por frío 3.La tubería tiene fugas 4.La placa de la válvula tiene una mala función o asuntos extraños o fuga de aire 5. Desgaste excesivo de Anillo de pistón y cilindro 	<ol style="list-style-type: none"> 1. Apriete la válvula de drenaje. 2.Limpie o reemplace el filtro elemento 3.Comprobar y eliminar 4.Limpieza o sustitución 5. Reemplazar con productos nuevos
<p>Sonido extraordinario</p>	<ol style="list-style-type: none"> 1. Los sujetadores están sueltos o dañado 2. Desgaste excesivo de Anillo de pistón y cilindro 3.Entran asuntos extranjeros El compresor de aire 4. Gran oscilación de manivela 	<ol style="list-style-type: none"> 1.Verificar y reemplazar 2. Reemplazar por uno nuevo productos 3.Comprobar y eliminar 4.Verificar y reemplazar

Fabricante: Shanghai muxin muyeyouxiangongsi Dirección:

Shuangchenglu 803nong11hao1602A-1609shi, baoshanqu, shanghai 200000 CN.

REPRESENTANTE CE: E-CrossStu GmbH.

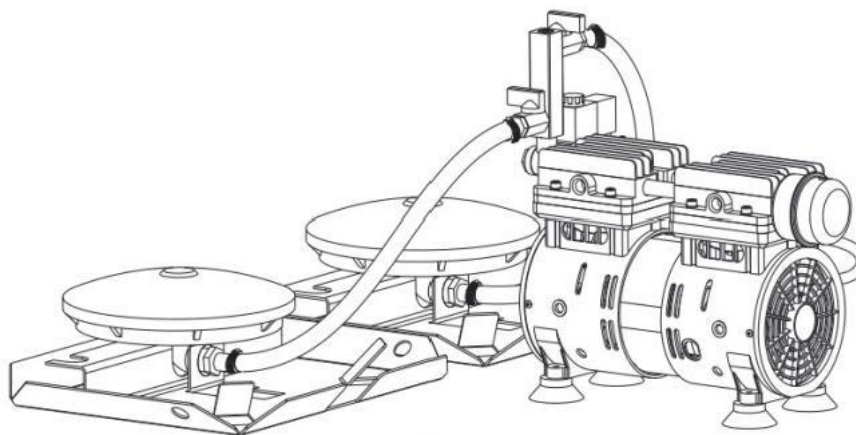
Mainzer Landstr.69, 60329 Fráncfort del Meno.

SISTEMA DI AERAZIONE PER STAGNI SOTTERRANEI

MANUALE D'USO

STAGNI SOTTERRANEI
SISTEMA DI AERAZIONE

MODELLO:OLF400D





Grazie mille per aver scelto questo prodotto. Si prega di leggere tutte le istruzioni prima di utilizzarlo. Le informazioni ti aiuteranno a ottenere i migliori risultati possibili.

	Attenzione: per ridurre il rischio di lesioni, l'utente deve leggere attentamente il manuale di istruzioni.
	Questo prodotto è soggetto alle disposizioni della Direttiva Europea 2012/19/CE. Il simbolo raffigurante un bidone della spazzatura barrato indica che il prodotto richiede la raccolta differenziata dei rifiuti nell'Unione Europea. Ciò si applica al prodotto e a tutti gli accessori contrassegnati con questo simbolo. I prodotti contrassegnati come tali non possono essere smaltiti con i normali rifiuti domestici, ma devono essere portati in un punto di raccolta per il riciclaggio di apparecchiature elettriche ed elettroniche.

dispositivi elettronici.ISTRUZIONI

Sicurezza generale degli utensili elettrici

AVVERTIMENTO:

Leggere tutte le avvertenze di sicurezza, le istruzioni, le illustrazioni e le specifiche fornite con questo compressore. La mancata osservanza di tutte le istruzioni elencate di seguito potrebbe causare scosse elettriche, incendi e/o gravi lesioni.

Conservare tutte le avvertenze e le istruzioni per un uso futuro riferimento.

Sicurezza nell'area di

lavoro Mantenere l'area di lavoro pulita e ben illuminata. Le aree disordinate o buie sono soggette a incidenti.

I compressori d'aria non possono essere esposti a un ambiente esplosivo, come un ambiente con liquidi, gas o polvere infiammabili.

Sicurezza elettrica

La spina del compressore d'aria deve corrispondere alla presa e non modificare la spina

Comunque.

ÿ Non esporre il compressore d'aria alla pioggia o all'umidità, l'acqua penetra nell'aria il compressore aumenterà il rischio di scosse elettriche

ÿ Non abusare del cavo di alimentazione, tenere il cavo di alimentazione lontano da calore, olio, oggetti taglienti bordi o parti mobili. I fili danneggiati o aggrovigliati aumentano il rischio di scosse elettriche shock

ÿ Assicurarsi che la presa abbia una messa a terra efficace, che può evitare l' rischio di scossa elettrica.

Sicurezza personale

ÿ Siate vigili quando usate il compressore d'aria, fate attenzione a ciò che state fare, usare il buon senso e non usare utensili elettrici quando si è stanchi o sotto stress influenza di droghe, alcol o droghe. Possono verificarsi gravi lesioni personali disattenzione momentanea durante l'utilizzo dell'utensile elettrico

ÿ Per evitare l'attivazione accidentale, assicurarsi che l'interruttore sia in posizione di spegnimento prima di collegare l'alimentazione elettrica.

Precauzioni per l'uso

Se l'interruttore non può essere acceso e spento, non utilizzare il compressore d'aria. Qualsiasi l'utensile elettrico che non può essere controllato dall'interruttore è pericoloso e deve essere riparato.

Prima di effettuare qualsiasi regolazione, sostituire gli accessori o riporre l' compressore, scollegare la spina di alimentazione, tali misure di sicurezza precauzionali ridurre il rischio di avvio accidentale.

Non consentire a nessuno che non abbia familiarità con il compressore d'aria o con questi istruzioni per utilizzarlo

Eseguire la manutenzione del compressore d'aria e degli accessori e controllare se le parti mobili sono dislocati o bloccati, oppure le parti sono danneggiate, ecc., il che può influire sulla funzionamento dell'utensile elettrico. In caso di danni, riparare il compressore d'aria prima dell'uso. Molti incidenti sono causati da una manutenzione impropria dell'alimentatore.

Interruttore ON/OFF per accendere o spegnere la modalità:

1) Premere "ON/AUTO/OFF"; sul display appare un indicatore che mostra "ON" o "ON AUTO" o "OFF" o "AUTO OFF".

2). Premere l'indicatore su "ON" il tempo fornirà un "interruttore sull'uscita" permanente

3). Premere l'indicatore su "ON AUTO" o "AUTO OFF" il timer verrà acceso e spento durante il tempo impostato.

4). Premere l'indicatore su "OFF" per spegnere il timer.

Quando si verificano le seguenti situazioni:

- 1). Quando il timer non si accende o si spegne in base alle impostazioni, controllare se le impostazioni sono corrette o ripristinate;
- 2) Se è il momento giusto per accendere o spegnere ma il timer inizia a funzionare in anticipo o ritardo nello spegnimento, potrebbero esserci più set di programmi switch, per favore controllare se le impostazioni sono corrette o ripristinate.
- 3). Se i due punti sopra menzionati sono corretti, ma il timer funziona ancora in modo errato, controllare e regolare la modalità.
- 4). Se il timer non viene visualizzato o viene visualizzato in modo sfocato, caricare il timer.
- 5). Se il problema persiste anche dopo aver escluso le situazioni di cui sopra, contattaci o il rivenditore per risolvere.

ATTENZIONE: il diffusore non può essere gettato direttamente nello stagno o nell'acqua per evitare che il tubo cada o che il diffusore si ribalti. Si consiglia per immergere delicatamente nell'acqua.

PARAMETRO PRODOTTO

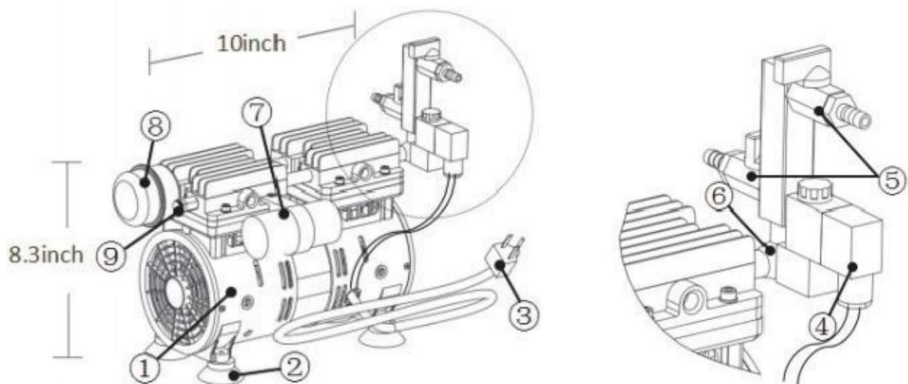
2.1 Specifiche del prodotto

Modello SPECIFICHE	Modello OLF400D-A	Modello OLF400D-B	Modello OLF400D-C
Tensione (V/Hz)	220~240V/50Hz		
Potenza nominale	550W		
Portata massima	5,2 metri cubi		
Lunghezza del filo	1,5 metri		
Superficie massima dell'acqua	/	1 acro	3 acri
Profondità massima dell'acqua	15,2 milioni		

Parti / Modello	Modello OLF400D-A	Modello OLF400D-B	Modello OLF400D-C
Compressore d'aria	1	1	1
Compagnia aerea	×	1	2
Diffusore del flusso d'aria	×	1	2
Fascetta stringitubo	2	2	4
Filtro dell'aria	1	1	1
Timer	1	1	1
Valvola di sicurezza	1	1	1
Valvola di ritegno	1	1	1
Elettrovalvola	1	1	1
Distributore di giunti	1	1	1
Valvola di flusso dell'aria	1	1	2
Base in acciaio inossidabile	×	1	2
Manuale dell'utente	1	1	1

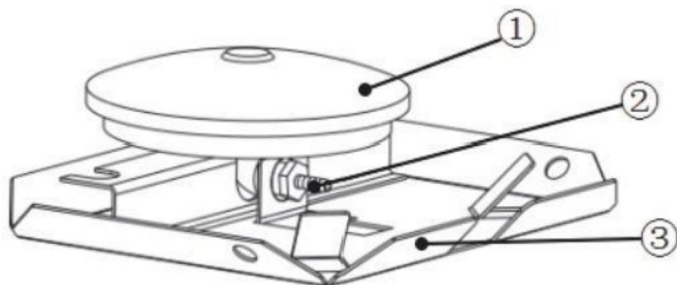
2.2 Componenti del sistema

1) Compressore d'aria senza olio



- 1 Compressore a pistone oscillante a servizio continuo, silenzioso, senza olio e ad alta efficienza.
- 2 I supporti in gomma del compressore riducono il rumore e le vibrazioni, garantendo un funzionamento silenzioso.
- 3 Cavo di alimentazione con spina 3x1,0mm2x1,5m.
- 4 L'elettrovalvola può proteggere meglio il motore dall'avviamento con carico.
- 5 Valvola di flusso dell'aria a diffusore singolo/doppio
- 6 La valvola di ritegno può evitare il rischio di riflusso del vapore acqueo.
- 7 Condensatore che funziona come parte del compressore. Non azionare l'impianto elettrico collegamento di esso.
- 8 Il filtro dell'aria massimizza la durata del compressore
- 9 La valvola di sicurezza protegge dalla contropressione.

2) Diffusore del flusso d'aria



10 bastoncini diffusori a membrana antiaderenti da 8" in EPDM forniscono la sinergia delle pietre d'aria pur non richiedendo praticamente alcuna manutenzione.

11 Connettore in acciaio inossidabile per la linea aerea e la piastra del diffusore.

12 L13.6xW11.6*base quadrata in acciaio inox per la stabilità del diffusore

3) Compagnia aerea

Il tubo flessibile senza piombo da 3/8"100 piedi è realizzato in materiali in PVC durevoli. L'amo da pesca è resistente e senza pieghe.

I kit di connettori di cui hai bisogno per connetterti dal compressore al diffusore.



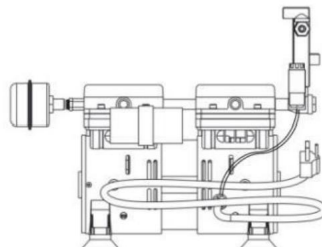
2.3 Installazione

Fase 1:

Trovare un posto dove il compressore possa essere ventilato e riparato da pioggia, sole e anche meno polvere.



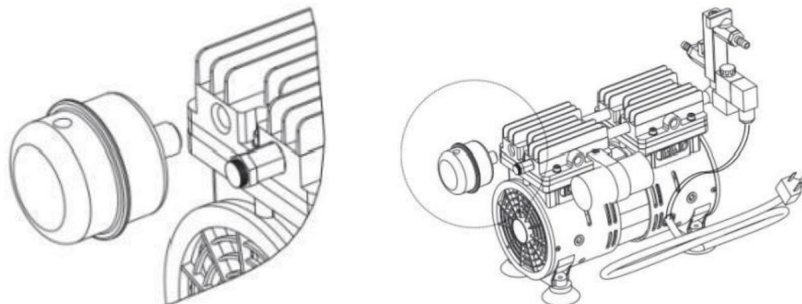
Filtro dell'aria



Compressore d'aria

Fase 2:

Avvitare il filtro dell'aria nel compressore proprio vicino alla valvola di sicurezza (se necessario, utilizzare del nastro in teflon).



Fase 3:

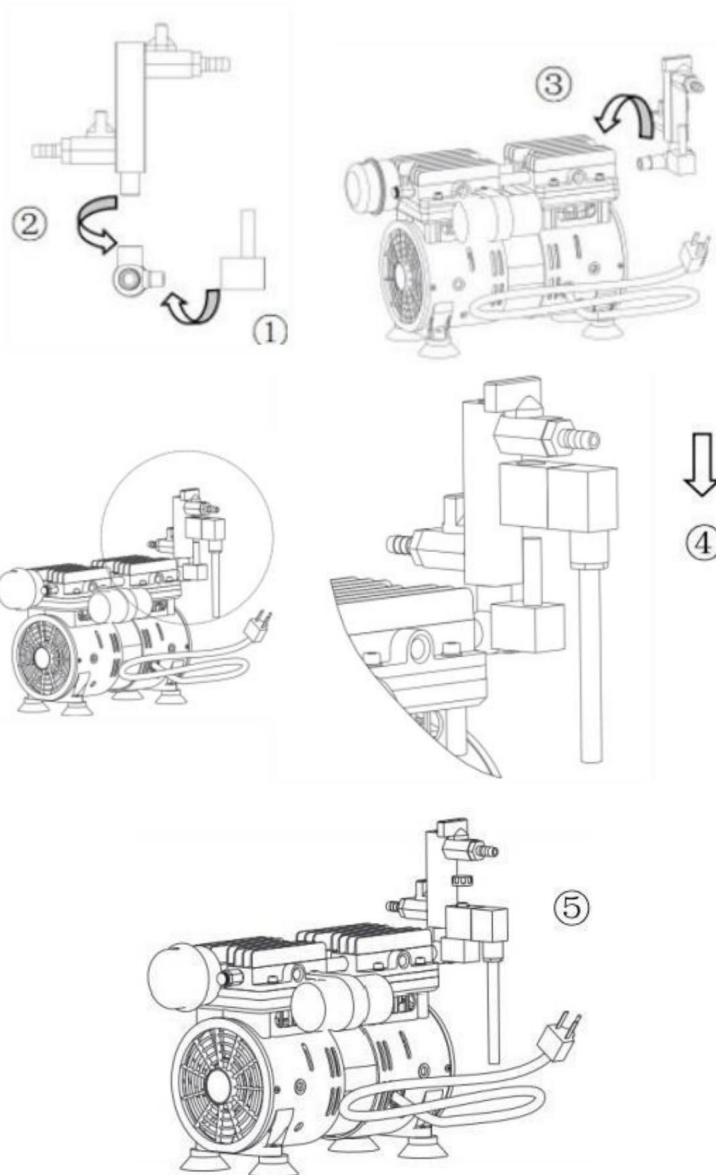
Utilizzare la pala per scavare una trincea dal rifugio allo stagno. La profondità minima della trincea non deve essere inferiore a 8 pollici per proteggere il tubo dell'aria. Si consiglia di contrassegnare le linee di pubblica utilità prima di iniziare lo scavo.

Se la lunghezza della camera d'aria standard non è sufficiente, possiamo fornire una camera d'aria più lunga.

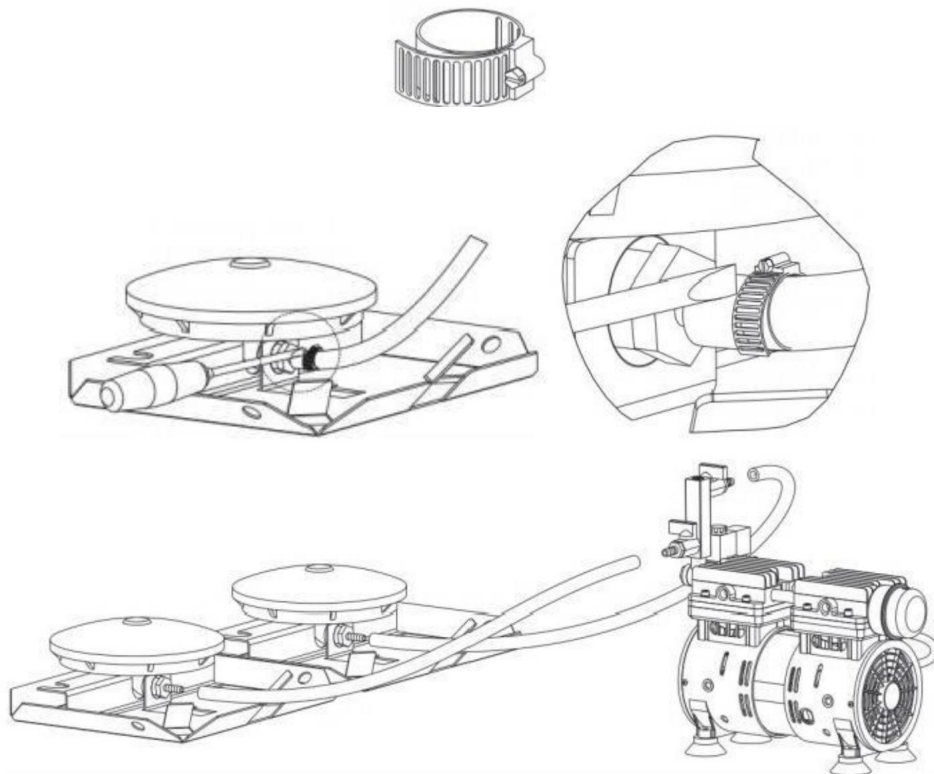
Fase 4:

Prendere gli accessori allegati. Stringere la base dell'elettrovalvola e l'interfaccia da 1/8 della valvola di ritegno, quindi stringere il tubo quadrato con la filettatura da 1/4 e quindi stringere il gruppo con il foro di scarico della testata del cilindro del compressore d'aria. Dopo aver completato le azioni di cui sopra, avvitare il guscio stampato dell'elettrovalvola sulla base e serrarlo con un tappo a vite nero.

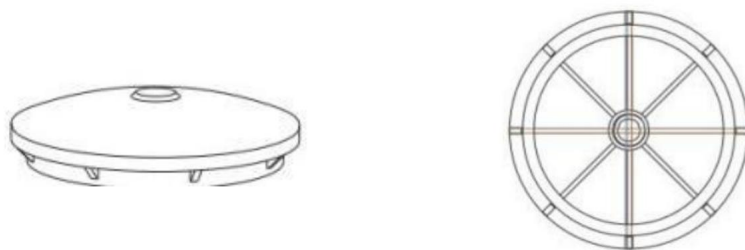
Si noti che tutti i collegamenti filettati devono utilizzare il nastro di materia prima allegato per avvolgere i filetti ed evitare una scarsa tenuta.



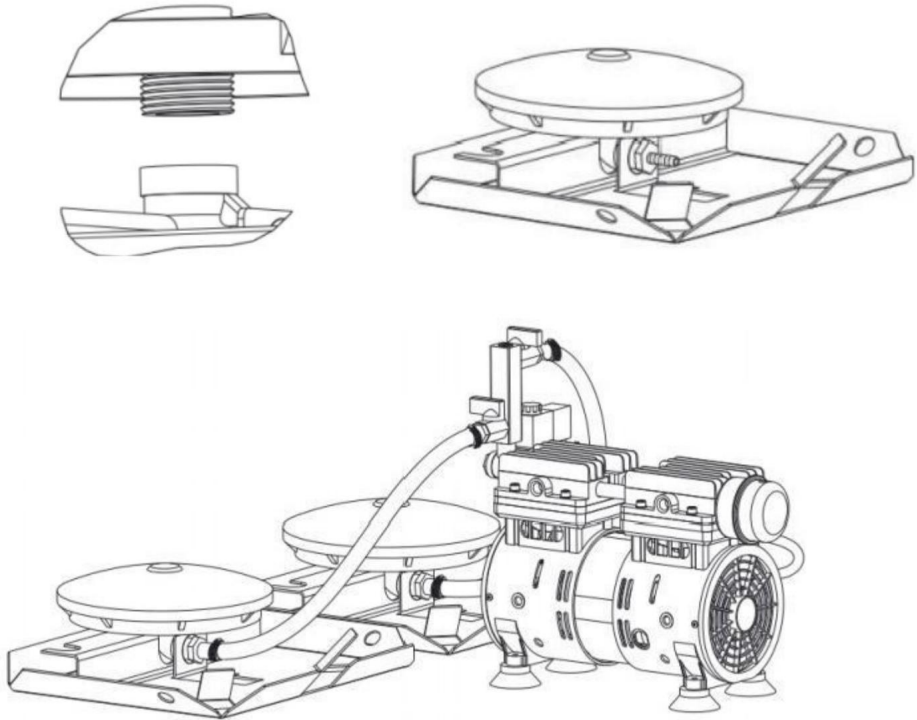
Fase 5: Collegare le due estremità del tubo dell'aria alla valvola del flusso d'aria sul compressore d'aria e al connettore pagoda sul disco di aerazione, quindi bloccarli e fissarli con una fascetta stringitubo.



Fase 6: Avvitare e fissare il disco di aerazione sulla base in acciaio inossidabile.



Piastra diffusore EPDM da 8"



2.4

Funzionamento Durante il funzionamento, controllare almeno una volta al giorno i seguenti elementi: 1) Si sente qualche rumore anomalo? 2) La pompa è eccessivamente calda? 3) Lo scarico è normale? 4) Il silenziatore è intasato?

La macchina può funzionare dopo l'accensione. Il sistema di aerazione è dotato di timer che consentono agli utenti di impostare la modalità di apertura e chiusura della macchina in base al clima effettivo.

Timer:

Introduzione: il timer può impostare l'orario di apertura e chiusura in modo indipendente per risparmiare energia e ridurre i consumi e migliorare la durata del motore. L'utente può regolare regolarmente l'orario di lavoro del sistema di aerazione in base al

ambiente meteorologico. Ad esempio, nella stagione delle piogge, se lo stagno è ossigeno carente il sistema di aerazione verrà acceso per 2 ore e spento per mezz'ora ora per aiutare l'ossigenazione dello stagno.

Il tempo di impostazione minimo è di 1 sec/min. È possibile impostare 8/20 programmi di accensione e spegnimento ogni giorno. La modalità di funzionamento è divisa in stato di apertura normale e stato di temporizzazione.

Istruzioni per i pulsanti:

Tasto funzione "CLOCK", esce dall'impostazione corrente.

"SET UP(PROG)": imposta 8/20 gruppi di accensione e spegnimento.

"MODE": commutazione della modalità di controllo "SEC": imposta i secondi.

"HOUR": imposta le ore.

"WEEK" imposta le settimane.

"MINUTE": imposta i minuti.

"RESET": reimposta i gruppi di accensione e spegnimento.

Impostazione dell'ora:

Prima di utilizzare il timer per la prima volta.

- 1) Premere "CLOCK" e "WEEK" per impostare il giorno della settimana. Premere "WEEK" per più di 2 secondi, può essere regolato rapidamente.
- 2) Premere "CLOCK" e "HOUR" per impostare l'ora del giorno. Premere "HOUR" per ulteriori informazioni. superiore a 2 secondi, può essere regolato rapidamente.
- 3) Premere "CLOCK" e "MN" per impostare i minuti. Premere "MIN" per più di 2 secondi, può essere regolato rapidamente.
- 4) Premere "CLOCK" e "SEC" per impostare il giorno del secondo. Premere "SEC" per ulteriori informazioni. superiore a 2 secondi, può essere regolato rapidamente.

Impostazione del programma:

Sono disponibili 8/20 possibili combinazioni di programmi.

- 1) Premere "SET UP (PROG)" per accedere alla modalità di programmazione. Il display visualizzerà "10N" in sul lato sinistro dello schermo.
- 2) Premere "HOUR" "MN" e "WEEK" per programmare il giorno e l'ora corretti in cui si desidera desidera che il timer si accenda.

- 3) Premere "SET UP(PROG)" per impostare il timer per l'ora di "OFF" e il giorno per "1OFF".
- 4) Premere "HOUR" "MIN" e "WEEK" per programmare il giorno e l'ora corretti.
- 5) Se necessario, premere "SET UP(PROG)" per avanzare al secondo on/offset.

Interruttore ON/OFF per accendere o spegnere la modalità:

- 1) Premere "ON/AUTO/OFF"; sul display appare un indicatore che mostra "ON" o "ON AUTO" o "OFF" o "AUTO OFF".
- 2) Premere l'indicatore su "ON" e l'ora fornirà un "interruttore sull'uscita" permanente.
- 3) Premere l'indicatore su "ON AUTO" o "AUTO OFF" il timer si accenderà e spento durante il tempo impostato.
- 4) Premere l'indicatore su "OFF" per spegnere il timer.

Quando si verificano le seguenti situazioni:

- 1) Quando il timer non si accende o si spegne in base alle impostazioni, controllare se le impostazioni sono corrette oppure ripristinarle.
- 2) Se è il momento giusto per accendere o spegnere ma il timer inizia a funzionare in anticipo o ritardo nello spegnimento. Potrebbero esserci più set di programmi switch, per favore controllare se le impostazioni sono corrette o ripristinate.
- 3) Se i due punti sopra menzionati sono corretti ma il timer funziona ancora in modo errato si prega di controllare e regolare la modalità.
- 4) Se il timer non viene visualizzato o viene visualizzato in modo sfocato, caricarlo.
- 5) Se il problema persiste anche escludendo le situazioni di cui sopra, contattaci o il rivenditore per risolvere.

ATTENZIONE: il diffusore non può essere gettato direttamente nello stagno o nell'acqua per evitare che il tubo cada o che il diffusore si ribalti. Si consiglia per immergerlo delicatamente nell'acqua.**MANUTENZIONE**

MANUTENZIONE

I sistemi di aerazione per stagni sono progettati per richiedere poca manutenzione e richiedono manutenzione programmata minima. Mantenere la stanza fresca, asciutta e ventilata per il compressore. ÿ

Scollare sempre il sistema prima di eseguire qualsiasi manutenzione o risoluzione dei problemi

• Scollegare sempre il sistema e rivolgersi a un elettricista qualificato per la manutenzione quando il cavo è danneggiato o sfilacciato, il compressore, il controllo di potenza, la ventola del compressore o altri componenti elettrici i componenti producono rumori o odori insoliti.

ATTENZIONE: I compressori sono dotati di un interruttore termico di sovraccarico.

la temperatura diventa abbastanza alta da far scattare il sovraccarico, il compressore si spegne verso il basso. Si avvierà quindi automaticamente quando la temperatura diminuisce finché

è applicata la potenza. AVVERTENZE SUL COMPRESSORE D'ARIA ELETTRICO

Conosci il tuo compressore d'aria e leggi attentamente il manuale operativo per capirlo

le sue applicazioni e limitazioni, nonché i potenziali pericoli specifici associati

questo prodotto. Non alterare o modificare il design originale o la funzionalità del

dispositivo. L'uso improprio e la manipolazione impropria possono causare

lesioni. • Seguire sempre tutte le norme di sicurezza raccomandate dai compressori d'aria e

produttori di accessori

• Non avviare sotto pressione. • Quando

utilizzato per gonfiare, non gonfiare eccessivamente, seguire tutte le istruzioni del produttore per articoli gonfiabili.

-Ispezionare il tubo flessibile dell'aria e i raccordi per verificare che non siano usurati o danneggiati prima di ogni utilizzo e assicurarsi che

assicurarsi che i collegamenti siano sicuri. Non utilizzarlo se perde, tenere il tubo lontano da

oggetti taglienti, versamenti di sostanze chimiche, oli, solventi e pavimenti bagnati.

-Assicurarsi che la trachea sia libera da ostruzioni, avvolgere la trachea può causare

perdita di equilibrio o di appoggio e potrebbe danneggiarsi. •

Non tentare di bloccare o ostruire l'uscita dell'aria durante il funzionamento.

OGNI 3-6 MESI - Filtro dell'aria: pulire/sostituire il filtro dell'aria.

Valvola di sicurezza: controllare che non fuoriesca aria dalla valvola e sostituirla se necessario necessario.

OGNI 24-36 MESI - Diffusore del flusso d'aria: si consiglia di ispezionare e/o

pulire il diffusore Airflow ogni 24-36 mesi.

Risoluzione dei problemi

Difetti	Possibili motivi	Metodo di elaborazione
---------	------------------	------------------------

<p>Il motore non gira e non c'è suono</p>	<ol style="list-style-type: none"> 1. Nessuna alimentazione 2. Il fusibile è bruciato 3. Il protettore di sovraccarico è in uno stato di protezione 4. Lo statore del motore l'avvolgimento è bruciato 	<ol style="list-style-type: none"> 1. Controllare la spina e interruttore 2. Sostituire il fusibile 3. Il motore si riavvia dopo il raffreddamento 4. Sostituire lo statore
<p>Il motore ha corrente suona ma non può funzionare oppure la velocità è molto lenta.</p>	<ol style="list-style-type: none"> 1. La tensione è troppo bassa 2. Il valore della capacità di avviamento e di esecuzione il condensatore cade o è danneggiato 3. Bobina del motore in cortocircuito o a circuito aperto 4. La valvola unidirezionale o aria il pressostato è danneggiato 	<ol style="list-style-type: none"> 1. Controllare la tensione, non meno del 10% del valore nominale Yoltaggio 2. Controllare o sostituire 3. Contattare un affidabile centro di assistenza 4. Contattare il centro di assistenza affidabile
<p>Sovraccarico e protettore interrompere ripetutamente l'alimentazione</p>	<ol style="list-style-type: none"> 1. La tensione è troppo bassa 2. Scarsa ventilazione e alta temperatura 	<ol style="list-style-type: none"> 1. Controllare la tensione, non meno oltre il 10% dello yoltag nominale 2. Posizionare il compressore d'aria in un luogo ben ventilato
<p>Il compressore d'aria continua a funzionare.</p>	<ol style="list-style-type: none"> 1. Il pressostato dell'aria è danneggiato 2. Perdita 	<ol style="list-style-type: none"> 1. Sostituire l'aria pressostato 2. Controllare ed eliminare
<p>Vibrazione del compressore d'aria</p>	<ol style="list-style-type: none"> 1. Elementi di fissaggio allentati 2. La piastra della valvola è danneggiato 3. Il cuscinetto di supporto del piede è danneggiato o mancante 	<ol style="list-style-type: none"> 1. Controllare ed eliminare 2. Ispezione e sostituzione 3. Sostituire il cuscinetto del piede

<p>L'alimentazione dell'aria il compressore è lento o non può raggiungere il pressione specificata.</p>	<ol style="list-style-type: none"> 1. La valvola di scarico è aperta 2. Blocco a freddo del filtro dell'aria 3. La conduttura perde 4. La piastra della valvola ha una cattiva funzione o materia estranea o perdita d'aria 5. Usura eccessiva di anello del pistone e cilindro 	<ol style="list-style-type: none"> 1. Serrare la valvola di scarico 2. Pulire o sostituire il filtro elemento 3. Controllare ed eliminare 4. Pulizia o sostituzione 5. Sostituisci con nuovi prodotti
<p>Suono straordinario</p>	<ol style="list-style-type: none"> 1. Gli elementi di fissaggio sono allentati o danneggiato 2. Usura eccessiva di anello del pistone e cilindro 3. Entrano le questioni estere il compressore d'aria 4. Grande oscillazione della manovella 	<ol style="list-style-type: none"> 1. Controllare e sostituire 2. Sostituire con nuovo prodotti 3. Controllare ed eliminare 4. Controllare e sostituire

Produttore: Shanghaimuxinmuyeyouxiangongsi Indirizzo:

Shuangchenglu 803nong11hao1602A-1609shi, baoshanqu, shanghai 200000 CN.

RAPPRESENTANTE DELLA CE: E-CrossStu GmbH.

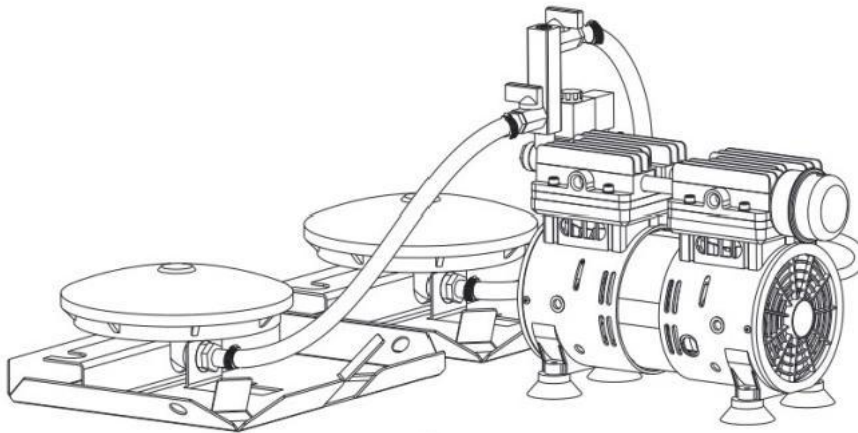
Mainzer Landstr.69, 60329 Francoforte sul Meno.

SYSTEM NAPOWIETRZANIA STAWU PODPOWIERZCHNIOWEGO

INSTRUKCJA OBSŁUGI

STAW PODPOWIERZCHNIOWY
SYSTEM NAPOWIERZANIA

MODEL:OLF400D





Dziękujemy bardzo za wybranie tego produktu. Przeczytaj proszę wszystkie

Przed użyciem należy zapoznać się z instrukcją. Informacje te pomogą w osiągnięciu najlepszych możliwych rezultatów.

	<p>Ostrzeżenie: Aby zminimalizować ryzyko obrażeń, użytkownik powinien uważnie przeczytać instrukcję obsługi.</p>
	<p>Ten produkt podlega postanowieniom Dyrektywy Europejskiej 2012/19/WE. Symbol przedstawiający przekreślony kosz na śmieci na kółkach oznacza, że produkt wymaga oddzielnej zbiórki odpadów w Unii Europejskiej. Dotyczy to produktu i wszystkich akcesoriów oznaczonych tym symbolem. Produktów oznaczonych w ten sposób nie można wyrzucać razem ze zwykłymi odpadami domowymi, ale należy je oddać do punktu zbiórki w celu recyklingu urządzeń elektronicznych.</p>

urządzenia elektroniczne.INSTRUKCJE

Ogólne bezpieczeństwo elektronarzędzi

OSTRZEŻENIE:

Przeczytaj wszystkie ostrzeżenia dotyczące bezpieczeństwa, instrukcje, ilustracje i specyfikacje dołączone do tego kompresora. Nieprzestrzeganie wszystkich instrukcji wymienionych poniżej może spowodować porażenie prądem, pożar i/lub poważne obrażenia. Zachowaj wszystkie ostrzeżenia i instrukcje na przyszłość. odniesienie.

Bezpieczeństwo w miejscu

pracy Utrzymuj miejsce pracy w czystości i zapewnij dobre oświetlenie. Zagrożone lub ciemne obszary sprzyjają wypadkom. Sprężarki powietrza nie mogą być narażane na działanie środowiska wybuchowego, takiego jak środowisko z łatwopalnymi cieczami, gazami lub pyłami.

Bezpieczeństwo

elektryczne Wtyczka sprężarki powietrza musi pasować do gniazda. Nie wolno modyfikować wtyczki.

W każdym razie.

Nie wystawiaj sprężarki powietrza na działanie deszczu lub wilgoci, gdyż może to spowodować przedostanie się wody do powietrza.

kompresor zwiększa ryzyko porażenia prądem

Nie nadużywaj przewodu zasilającego, trzymaj przewód zasilający z dala od ciepła, oleju i ostrych przedmiotów. krawędzie lub ruchome części. Uszkodzone lub splątane przewody zwiększają ryzyko porażenia prądem.

zaszkokować

Upewnij się, że gniazdko ma skuteczne uziemienie, które zapobiegnie ryzyko porażenia prądem.

Bezpieczeństwo osobiste

Podczas obsługi sprężarki powietrza należy zachować czujność, zwracać uwagę na to, co się dzieje. postępuj zgodnie ze zdrowym rozsądkiem i nie używaj elektronarzędzi, gdy jesteś zmęczony lub pod wpływem pod wpływem narkotyków, alkoholu lub narkotyków. Może to spowodować poważne obrażenia ciała chwilowa nieuwaga podczas obsługi elektronarzędzia

Aby zapobiec przypadkowemu włączeniu, upewnij się, że przełącznik jest w pozycji wyłączonej. przed podłączeniem zasilania.

Środki ostrożności dotyczące stosowania

Jeżeli przełącznika nie można włączać i wyłączać, nie należy używać sprężarki powietrza.

elektronarzędzie, którego nie można kontrolować za pomocą przełącznika, jest niebezpieczne i musi być naprawiony.

Przed dokonaniem jakichkolwiek regulacji, wymianą akcesoriów lub przechowywaniem

kompresor, odłącz wtyczkę zasilającą, takie środki ostrożności

Zmniejsz ryzyko przypadkowego uruchomienia.

Nie należy pozwalać osobom niezaznajomionym ze sprężarką powietrza lub tymi urządzeniami.

instrukcja obsługi

Konserwuj sprężarkę powietrza i akcesoria oraz sprawdzaj, czy ruchome części są sprawne.

są przemieszczone lub zablokowane, lub części są uszkodzone itp., co może mieć wpływ na eksploatacja elektronarzędzia. Jeśli wystąpią jakiegokolwiek uszkodzenia, należy naprawić sprężarkę powietrza przed użyciem. Wiele wypadków jest spowodowanych niewłaściwą konserwacją zasilacza.

Przełącznik ON/OFF do włączania i wyłączania trybu:

1) Naciśnij przycisk „ON/AUTO/OFF”, na wyświetlaczu pojawi się wskaźnik „ON” lub „ON”
AUTO"lub"WYŁ"lub"AUTO WYŁ".

2) Naciśnij wskaźnik na „ON”, a czas spowoduje trwałe „włączenie wyjścia”

3). Naciśnij wskaźnik, aby wybrać „ON AUTO” lub „AUTO OFF”, a timer zostanie włączony.

i wyłączone na ustawiony czas.

4) Naciśnij wskaźnik na „OFF”, aby wyłączyć timer.

Gdy wystąpią następujące sytuacje:

- 1). Jeśli timer nie włącza się lub nie wyłącza zgodnie z ustawieniami, sprawdź, czy ustawienia są poprawne lub zresetowane;
- 2) Jeśli nadszedł właściwy czas na włączenie lub wyłączenie urządzenia, ale timer zaczyna działać wcześniej lub opóźnienie w wyłączeniu mogą występować liczne zestawy programów przełączających, proszę sprawdzić czy ustawienia są poprawne lub zresetowane.
- 3). Jeśli powyższe dwa punkty są poprawne, a mimo to timer nadal działa nieprawidłowo, proszę sprawdzić i dostosować tryb.
- 4). Jeśli timer nie wyświetla się lub wyświetla rozmyty obraz, należy naładować timer.
- 5). Jeśli po wykluczeniu powyższych sytuacji problem nadal występuje, skontaktuj się z nami lub rozwiązuje dealer.

OSTRZEŻENIE: Dyfuzora nie wolno wrzucać bezpośrednio do stawu lub wody.

zapobiega spadaniu węża lub przewróceniu się dyfuzora. Zaleca się delikatnie włożyć do wody.

PARAMETR PRODUKTU

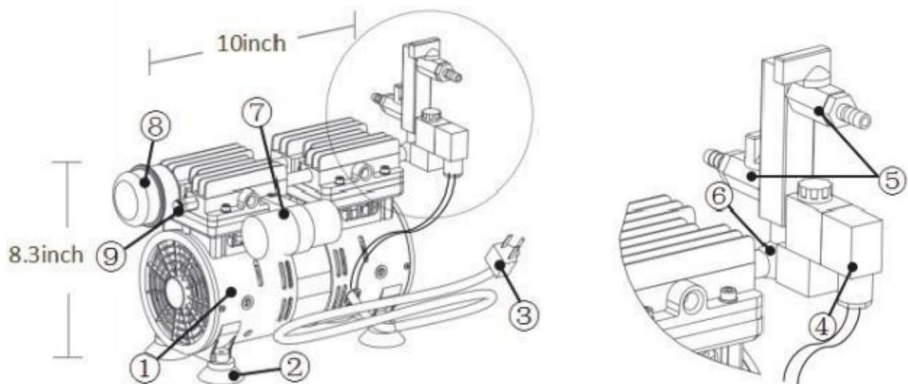
2.1 Specyfikacja produktu

Model SPECYFIKACJA	OLF400D-A	OLF400D-B	OLF400D-C
Napięcie (V/Hz)	220~240V/50Hz		
Moc znamionowa	550 W		
Maksymalny przepływ	<small>5,2 odp szacunkowych na minutę</small>		
Długość przewodu	1,5 mln		
Maksymalna powierzchnia wody	/	1 akr	3 akry
Maksymalna głębokość wody	15,2 mln		

Model Strony	OLF400D-A	OLF400D-B	OLF400D-C
Kompresor powietrza	1	1	1
Linia lotnicza	×	1	2
Dyfuzor przepływu powietrza	×	1	2
Zacisk węża	2	2	4
Filtr powietrza	1	1	1
Regulator czasowy	1	1	1
Zawór bezpieczeństwa	1	1	1
Zawór zwrotny	1	1	1
Zawór elektromagnetyczny	1	1	1
Dystrybutor stawów	1	1	1
Zawór przepływu powietrza	1	1	2
Podstawa ze stali nierdzewnej	×	1	2
Instrukcja użytkownika	1	1	1

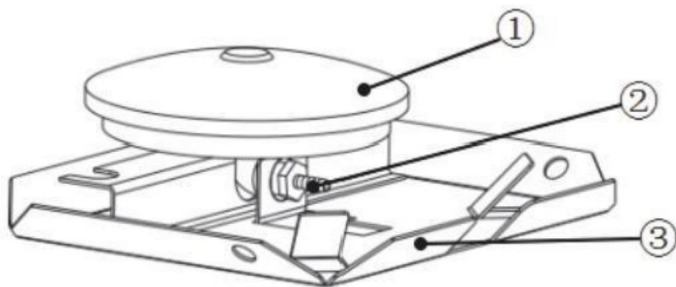
2.2 Komponenty systemu

1) Kompresor powietrza bezolejowy



- 1 Wysokowydajna, cicha, bezolejowa sprężarka tłokowa do pracy ciągłej.
- 2 gumowe mocowania sprężarki redukują hałas i wibracje, zapewniając cichą pracę.
- 3 Przewód zasilający z wtyczką 3x1,0mm2x1,5m.
- 4 Zawór elektromagnetyczny może lepiej chronić silnik przed uruchomieniem pod obciążeniem.
- 5 Pojedynczy/podwójny zawór przepływu powietrza dyfuzora
- 6 Zawór zwrotny pozwala uniknąć ryzyka cofania się pary wodnej.
- 7 Kondensator, który jest częścią sprężarki. Nie należy używać urządzenia elektrycznego. jego połączenie.
- 8 Filtr powietrza maksymalizuje żywotność sprężarki
- 9 Zawór bezpieczeństwa zabezpiecza przed ciśnieniem wstecznym.

2) Dyfuzor przepływu powietrza



- 10 nieprzywierających membranowych patyczków dyfuzyjnych EPDM o średnicy 8 cali zapewnia synergię kamieni napowietrzających przy czym urządzenie jest praktycznie bezobsługowe.
- 11 Złącze ze stali nierdzewnej do przewodu powietrznego i płyty dyfuzora.
- 12 Dł. 13,6 x szer. 11,6*kwadratowa podstawa ze stali nierdzewnej zapewniająca stabilność dyfuzora

3) Linie lotnicze

Linia lotnicza bez ołowiu o średnicy 3/8"100 stóp wykonana jest z trwałych materiałów PVC. Haczyk na ryby jest odporny i bez załamań.

Zestawy złączy, które musisz podłączyć sprężarka do dyfuzora.



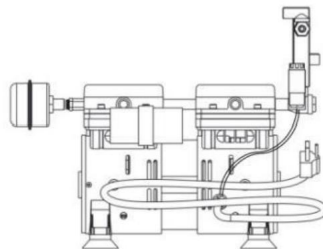
2.3 Instalacja

Krok 1:

Znajdź miejsce, w którym sprężarka będzie wentylowana i osłonięta od deszcz, słońce i mniej kurzu.



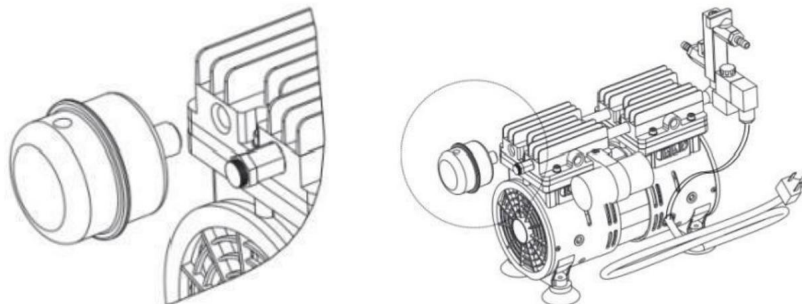
Filtr powietrza



Kompresor powietrza

Krok 2:

Przykręć filtr powietrza do sprężarki tuż obok zaworu bezpieczeństwa. (W razie potrzeby użyj taśmy teflonowej.)



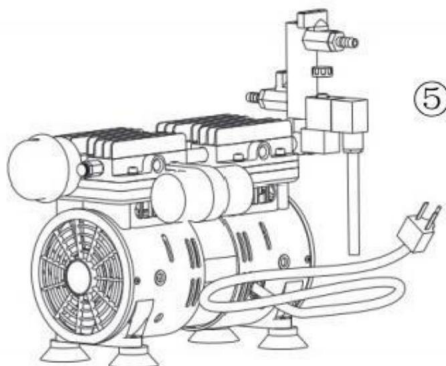
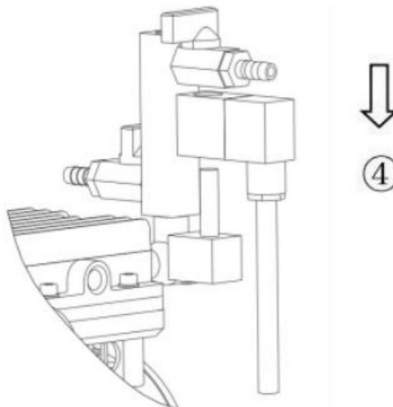
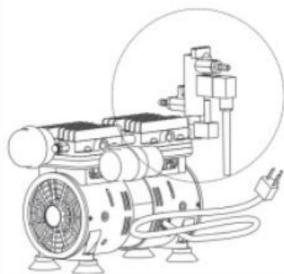
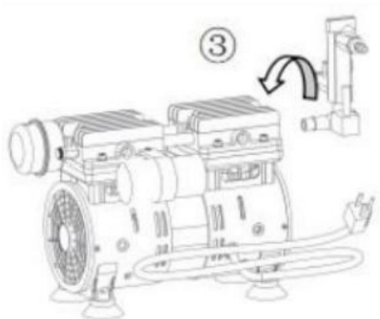
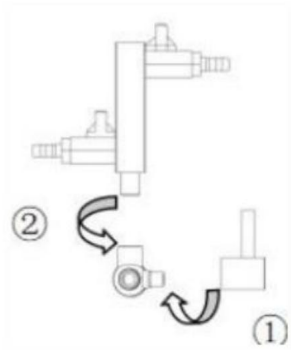
Krok 3:

Za pomocą łopaty wykop rów od schronienia do stawu. Minimalna głębokość wykopu nie powinna być mniejsza niż 8 cali, aby chronić rurę powietrzną. Zalecamy oznaczenie linii użyteczności publicznej przed rozpoczęciem wykopów.

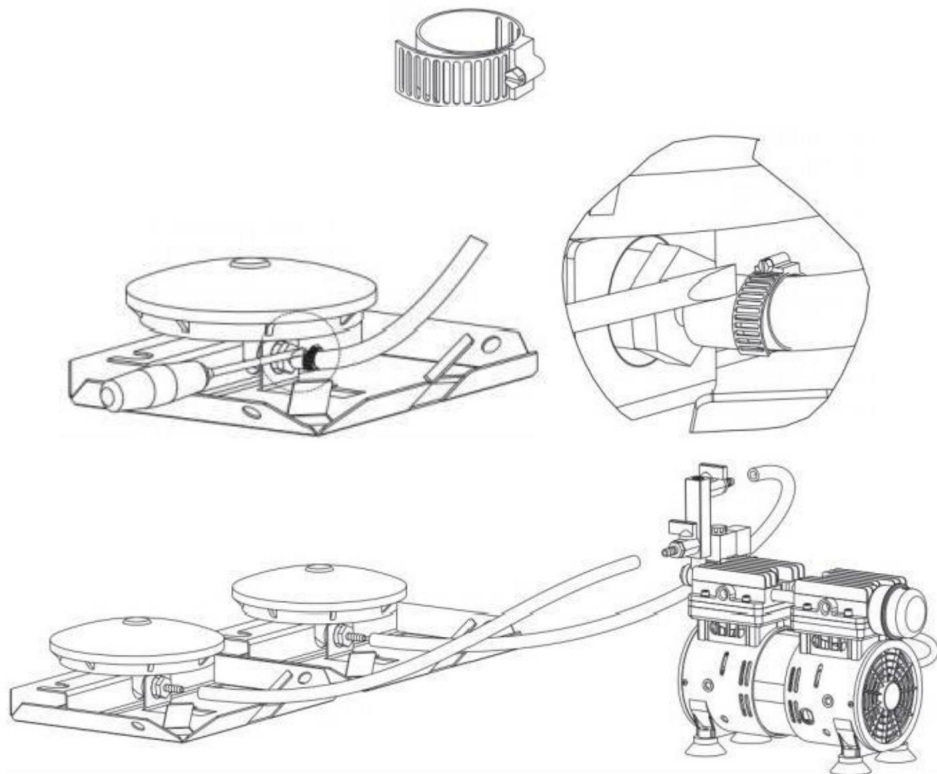
Jeśli standardowa długość rurki powietrznej okaże się niewystarczająca, możemy dostarczyć dłuższą rurkę powietrzną.

Krok 4:

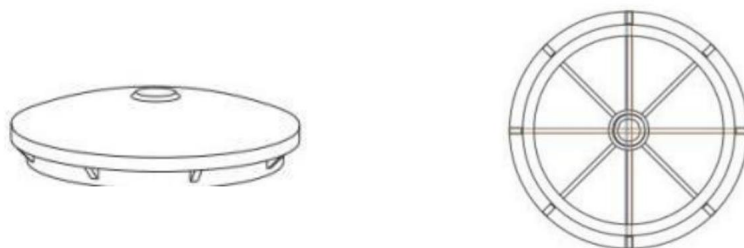
Weź dołączone akcesoria. Dokręć podstawę zaworu elektromagnetycznego i interfejs 1/8 cala zaworu zwrotnego, a następnie dokręć kwadratową rurkę za pomocą gwintu 1/4 cala, a następnie dokręć zespół za pomocą otworu wylotowego głowicy cylindra sprężarki powietrza. Po wykonaniu powyższych czynności nakręć formowaną obudowę zaworu elektromagnetycznego na podstawę i dokręć ją czarną nakrętką. Należy pamiętać, że wszystkie połączenia gwintowane muszą być owinięte taśmą surowcową, aby zapobiec słabemu uszczelnieniu.



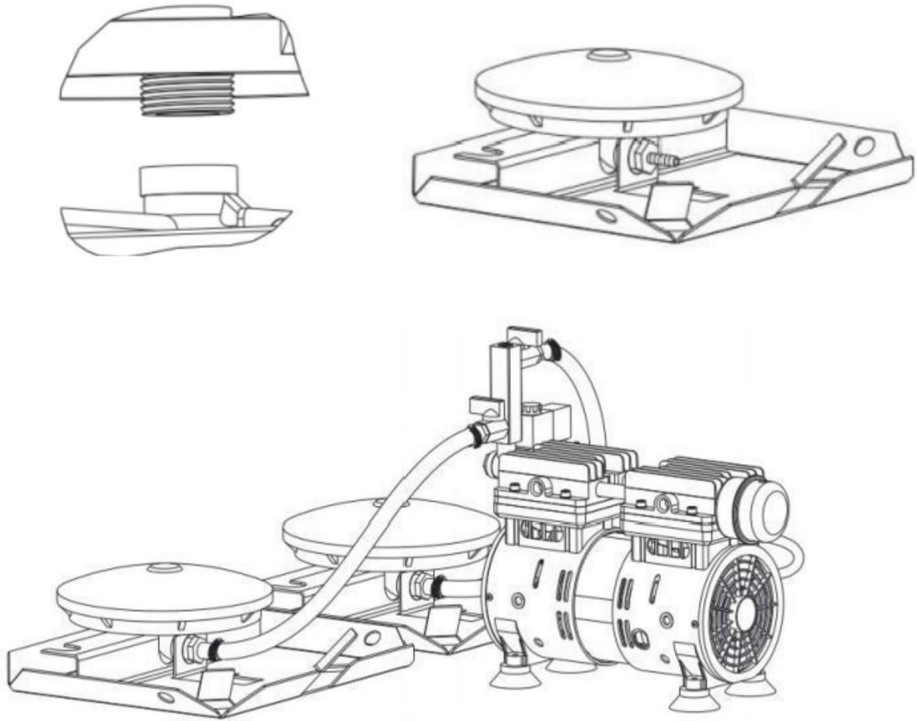
Krok 5: Podłącz dwa końce przewodu powietrza do zaworu przepływu powietrza w sprężarce powietrza i złącza pagoda na tarczy napowietrzającej, a następnie zablokuj je i zabezpiecz zaciskiem węża.



Krok 6: Przykręć i zamocuj tarczę napowietrzającą do podstawy ze stali nierdzewnej.



Płyta dyfuzyjna EPDM 8"



2.4 Działanie

Podczas pracy urządzenia należy przynajmniej raz dziennie sprawdzać następujące elementy. 1) Czy słychać jakieś nietypowe dźwięki; 2) Czy pompa nie jest nadmiernie gorąca; 3) Czy wydech działa prawidłowo; 4) Czy tłumik nie jest zatkany?

Maszyna może pracować po włączeniu zasilania. System napowietrzania jest wyposażony w timery, dzięki którym użytkownicy mogą ustawić tryb otwierania i zamykania maszyny zależnie od aktualnych warunków klimatycznych.

Regulator czasowy:

Wprowadzenie: Timer może niezależnie ustawić czas otwierania i zamykania, aby oszczędzać energię, zmniejszać zużycie i wydłużać żywotność silnika. Użytkownik może regularnie regulować czas pracy systemu napowietrzania zgodnie z

warunki pogodowe. Na przykład, w porze deszczowej, jeśli staw jest natleniony w przypadku awarii system napowietrzania zostanie włączony na 2 godziny i wyłączony na pół godziny godzinę, aby pomóc natlenić staw.

Minimalny czas ustawienia wynosi 1 sek./min. Można ustawić 8/20 programów włączania i wyłączania każdego dnia.

Tryb działania dzieli się na stan normalny otwarty i stan czasowy.

Instrukcje dotyczące przycisków:

Klawisz funkcyjny „CLOCK” - wyjście z bieżących ustawień.

„SET UP(PROG)”: ustaw 8/20 grup włączania i wyłączania.

„MODE”: przełączanie trybu sterowania. „SEC” ustawia sekundy.

„GODZINA”: ustaw godziny.

„TYDZIEŃ”ustawia tygodnie.

„MINUTA”: ustaw minuty.

„RESET”: resetuje grupy włączania i wyłączania.

Ustawienie czasu:

Przed użyciem timera należy ustawić prawidłową godzinę i dzień tygodnia. pierwszy raz.

1) Naciśnij „CLOCK” i „WEEK”, aby ustawić dzień tygodnia. Naciśnij „WEEK”, aby ponad 2 sekundy, można to szybko dostosować.

2) Naciśnij „ZEGAR” i „GODZINA”, aby ustawić godzinę dnia. Naciśnij „GODZINA”, aby uzyskać więcej informacji niż 2 sekundy, można ją szybko dostosować.

3) Naciśnij „CLOCK” i „MN”, aby ustawić minuty. Naciśnij „MIN” przez ponad 2 sekundy, aby ustawić minuty. można szybko dostosować.

4) Naciśnij „CLOCK” i „SEC”, aby ustawić dzień sekundy. Naciśnij „SEC”, aby uzyskać więcej informacji. niż 2 sekundy, można ją szybko dostosować.

Ustawienia programu:

Dostępnych jest 8/20 możliwych kombinacji programów.

1) Naciśnij przycisk „SET UP(PROG), aby wejść w tryb programowania. Na wyświetlaczu pojawi się „10N”.
lewa strona wyświetlacza.

2) Naciśnij „HOUR”, „MN” i „WEEK”, aby zaprogramować właściwy dzień i godzinę, kiedy chcesz.
chcę, aby timer się włączył.

- 3) Naciśnij przycisk „SET UP(PROG), aby ustawić timer na czas „OFF” i dzień dla „1OFF”.
- 4) Naciśnij „HOUR”, „MIN” i „WEEK”, aby zaprogramować prawidłowy dzień i godzinę.
- 5) W razie potrzeby naciśnij przycisk „SET UP(PROG), aby przesunąć o sekundę pozycję on/offset.

Przełącznik ON/OFF do włączania i wyłączania trybu:

- 1) Naciśnij przycisk „ON/AUTO/OFF”, na wyświetlaczu pojawi się wskaźnik „ON” lub „ON” AUTO” lub "WYŁ" lub "AUTO WYŁ".
- 2) Naciśnij wskaźnik na „ON”, a czas spowoduje trwałe „włączenie wyjścia”.
- 3) Naciśnij wskaźnik, aby wybrać „ON AUTO” lub „AUTO OFF”, a timer zostanie włączony. i wyłączone na ustawiony czas.
- 4) Naciśnij wskaźnik, aby ustawić go w pozycji „OFF”, aby wyłączyć timer.

Gdy wystąpią następujące sytuacje:

- 1) Jeśli timer nie włącza się lub nie wyłącza zgodnie z ustawieniami, sprawdź, czy ustawienia są poprawne lub zresetowane.
- 2) Jeśli nadszedł właściwy czas na włączenie lub wyłączenie urządzenia, ale timer zaczyna działać wcześniej lub opóźnienie w wyłączeniu. Mogą występować liczne zestawy programów przełączających, proszę sprawdzić czy ustawienia są poprawne lub zresetowane.
- 3) Jeśli powyższe dwa punkty są prawidłowe, a mimo to timer nadal działa nieprawidłowo. Proszę sprawdzić i dostosować tryb.
- 4) Jeśli timer nie wyświetla się lub wyświetla rozmazany obraz, należy naładować timer.
- 5) Jeśli po wykluczeniu powyższych sytuacji problem nadal występuje, skontaktuj się z nami lub rozwiązuje dealer.

OSTRZEŻENIE: Dyfuzora nie wolno wrzucać bezpośrednio do stawu lub wody. zapobiega spadaniu węża lub przewróceniu się dyfuzora. Zaleca się delikatnie zanurzyć w wodzie.KONSERWACJA

KONSERWACJA

Systemy napowietrzania stawów są projektowane tak, aby wymagały niewielkiej konserwacji i minimalna planowana konserwacja. Utrzymuj pomieszczenie w chłodzie, suchości i wentylacji przez sprężarki. Zawsze odłączaj system od zasilania przed przystąpieniem do prac konserwacyjnych lub rozwiązywania problemów

Zawsze odłączaj system od zasilania i zleć naprawę wykwalifikowanemu elektrykowi, gdy przewód jest uszkodzony, jest uszkodzony lub postrzępiony, sprężarka, sterowanie mocą, wentylator sprężarki lub inny element elektryczny komponenty wydają nietypowe dźwięki lub zapachy.

OSTRZEŻENIE: Sprężarki wyposażone są w wyłącznik termiczny.

temperatura stanie się na tyle wysoka, że nastąpi przeciążenie, sprężarka się wyłączy

w dół. Następnie uruchomi się automatycznie, gdy temperatura spadnie, o ile

zasilanie jest włączone.**OSTRZEŻENIA DOTYCZĄCE ELEKTRYCZNEJ SPRĘŻARKI POWIETRZA**

Poznaj swój kompresor powietrza i uważnie przeczytaj instrukcję obsługi, aby zrozumieć

jego zastosowania i ograniczenia, a także konkretne potencjalne zagrożenia z nim związane

tego produktu Nie wolno zmieniać ani modyfikować oryginalnego projektu ani funkcjonalności

Urządzenie. Niewłaściwe użytkowanie i nieodpowiednia obsługa mogą spowodować

obrażenia. Zawsze przestrzegaj wszystkich zasad bezpieczeństwa zalecanych przez producentów sprężarek powietrza i

producentu akcesoriów

Nie uruchamiaj pod ciśnieniem. Podczas

pompowania nie pompuj nadmiernie, postępuj zgodnie ze wszystkimi instrukcjami producenta.

do przedmiotów dmuchanych.

-Przed każdym użyciem sprawdź, czy wąż powietrzny i jego przyłącza nie są zużyte lub uszkodzone, a następnie wyczyść je.

upewnij się, że połączenia są bezpieczne. Nie używaj go, jeśli przecieka, trzymaj wąż z dala od

ostre przedmioty, wycieki substancji chemicznych, oleje, rozpuszczalniki i mokre podłogi.

- Upewnij się, że tchawica jest wolna od przeszkód, ponieważ skręcenie tchawicy może spowodować

utrąę równowagi lub równowagi oraz może spowodować

uszkodzenie. Nie próbuj blokować lub zasłaniać wylotu powietrza podczas pracy urządzenia.

CO 3-6 MIESIĘCY - Filtr powietrza: Wyczyść/wymień filtr powietrza.

Zawór bezpieczeństwa: Sprawdź, czy z zaworu nie ucieka powietrze i wymień go, jeśli tak się stanie.

wymagany.

CO 24-36 MIESIĘCY - Dyfuzor przepływu powietrza: Zalecamy sprawdzenie i/lub

czyszczenie dyfuzora Airflow co 24-36 miesięcy.

Rozwiązywanie problemów

Usterki	Możliwe powody	Metoda przetwarzania
---------	----------------	----------------------

<p>Silnik się nie obraca i nie ma dźwięku</p>	<ol style="list-style-type: none"> 1.Brak zasilania 2. Bezpiecznik jest przepalony 3. Zabezpieczenie przeciwprzebieżeniowe jest w stanie ochronnym 4 Stożak silnika uzwojenie jest spalone 	<ol style="list-style-type: none"> 1.Sprawdź wtyczkę i przełącznik 2.Wymień bezpiecznik 3. Silnik uruchomi się ponownie po schłodzeniu 4. Wymień stożak
<p>Silnik ma prąd dźwięk, ale nie można działać lub prędkość jest bardzo niska.</p>	<ol style="list-style-type: none"> 1.Napięcie jest za niskie 2. Wartość pojemności uruchamiania i przewodzenia kondensator spada lub jest uszkodzony 3.Zwarcie cewki silnika lub z otwartym obwodem 4. Zawór jednokierunkowy lub powietrzny uszkodzony jest wyłącznik ciśnieniowy 	<ol style="list-style-type: none"> 1.Sprawdź napięcie, nie mniej niż 10% oceny woltaż 2.Sprawdź lub wymień 3. Skontaktuj się z wiarygodnym centrum usług 4. Skontaktuj się z zaufanym centrum serwisowym
<p>Przebieżenie i ochraniacz wielokrotnie wyłączać zasilanie</p>	<ol style="list-style-type: none"> 1.Napięcie jest za niskie 2. Słaba wentylacja i wysoka temperatura 	<ol style="list-style-type: none"> 1. Sprawdź napięcie, nie mniej niż 10% ocenionego voltazu 2. Umieść sprężarkę powietrza w miejsce dobrze wentylowane
<p>Kompresor powietrza nadal działa.</p>	<ol style="list-style-type: none"> 1. Wyłącznik ciśnienia powietrza jest uszkodzony 2. Wyciek 	<ol style="list-style-type: none"> 1. Wymień powietrze wyłącznik ciśnieniowy 2.Sprawdź i wyeliminuj
<p>Wibracje sprężarki powietrza</p>	<ol style="list-style-type: none"> 1. Luźne zapięcia 2.Płytki zaworowa jest uszkodzony 3. Podkładka pod stopę jest uszkodzony lub brakuje 	<ol style="list-style-type: none"> 1.Sprawdź i wyeliminuj 2. Kontrola i wymiana 3. Wymień podkładkę pod stopę

<p>Dopływ powietrza do powietrza kompresor jest wolny lub nie można dotrzeć określone ciśnienie.</p>	<ol style="list-style-type: none"> 1. Zawór spustowy jest otwarty 2. Zimne zablokowanie filtra powietrza 3. Rurociąg przecieka 4. Płyta zaworowa ma słabą funkcja lub sprawy obce <small>lub nieszczelność powietrza</small> 5. Nadmierne zużycie pierścieni tłokowy i cylinder 	<ol style="list-style-type: none"> 1. Dokręć zawór spustowy 2. Wyczyść lub wymień filtr element 3. Sprawdź i wyeliminuj 4. Czyszczenie lub wymiana 5. Wymień na nowe produkty
<p>Nadzwyczajny dźwięk</p>	<ol style="list-style-type: none"> 1. Łączniki są luźne lub uszkodzone 2. Nadmierne zużycie pierścieni tłokowy i cylinder 3. Wchodzą sprawy zagraniczne sprężarka powietrza 4. Duży wysięgnik korbowy 	<ol style="list-style-type: none"> 1. Sprawdź i wymień 2. Wymień na nowe Produkty 3. Sprawdź i wyeliminuj 4. Sprawdź i wymień

Producent: Shanghai muxin mu yeyou xiangong si Adres:

Shuangchenglu 803nong11hao1602A-1609shi, baoshanqu, szanghaj 200000 CN.

Przedstawiciel KE: E-CrossStu GmbH.

Mainzer Landstr.69, 60329 Frankfurt nad Menem.

