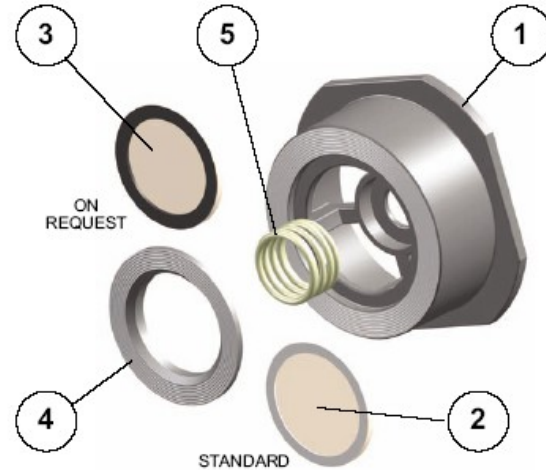


ZAWORY ZWROTNE MIEDZYKOŁNIERZOWE GA 015



Wafer disc check valves GA Series
DN 15÷80 • PN 6÷40 • ANSI 150÷300
DN 100 • PN 10÷40 • ANSI 150÷300

FEATURES and ADVANTAGES

Little dimensions and low weights.

Face to Face acc. to DIN EN 558-1 Series 49 (DIN 3202 K4).

To be installed in any position, also with downwards flow.

Opening pressures from 10 to 1000 mBar.

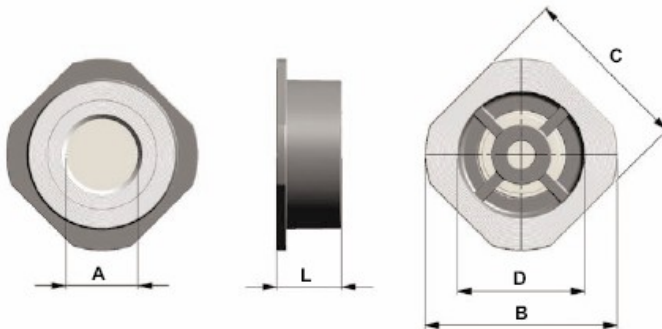
Usable also as vacuum breaker, overpressure and bottom valve.

No leakage with soft seat and acc. to DIN 3230 BN3 with metal seat.

Low head losses.

This type of valve cannot be used with spirometallic packings

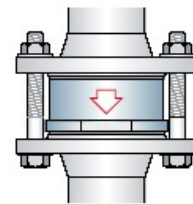
ITEM.	PART	MATERIAL
1	BODY	A351 - CF8M (AISI 316)
2	METAL SEAT DISC	A240 (AISI 316 L)
3	SOFT SEAT DISC (on request)	* A240 (AISI 316 L) + NBR * A240 (AISI 316 L) + EPDM * A240 (AISI 316 L) + FKM
4	METAL SEAT	A182 (AISI 316)
5	SPRING (on request)	AISI 316 * HASTELLOY C4



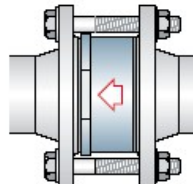
Dimensions - Face to Face DIN EN 558-1 Series 49 (DIN 3202 K4)

	DN	15	20	25	32	40	50	65	80	100
A	mm	15	20	24	31	38	47	62	77	95
B	mm	53	63	73	84	94	107	131	140	162
C	mm	45	55	65	74	84	98	118	130	162
D	mm	27	33	38	54	64	78	96	105	130
L	mm	16	19	22	28	32	40	46	50	60
Weight	Kg	0,11	0,14	0,26	0,4	0,6	1	1,3	1,9	3,4

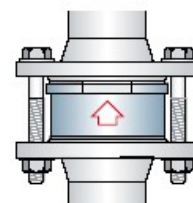
To be installed
in any position



Downwards
flow



Horizontal flow



Upwards
flow