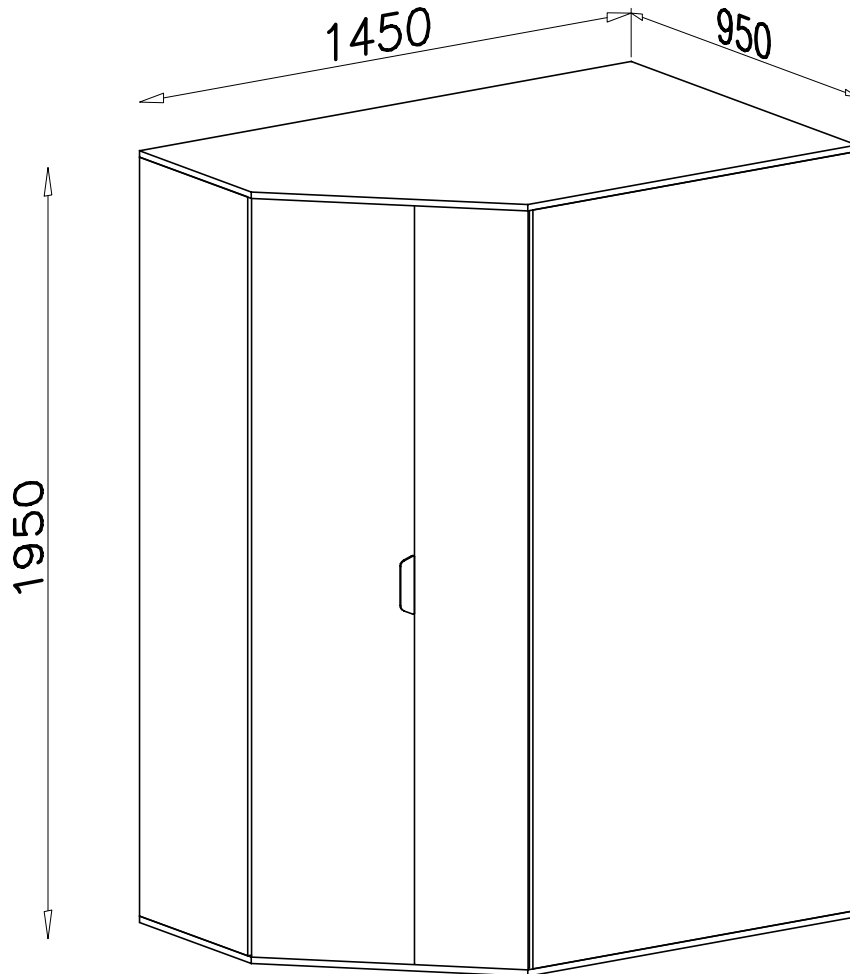
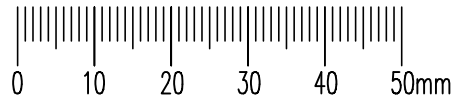
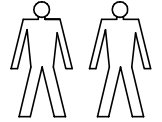
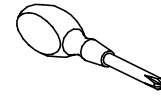
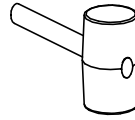
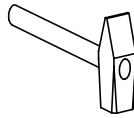
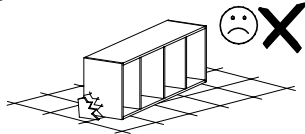
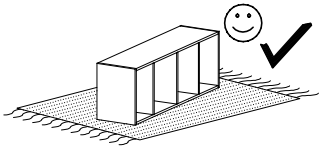


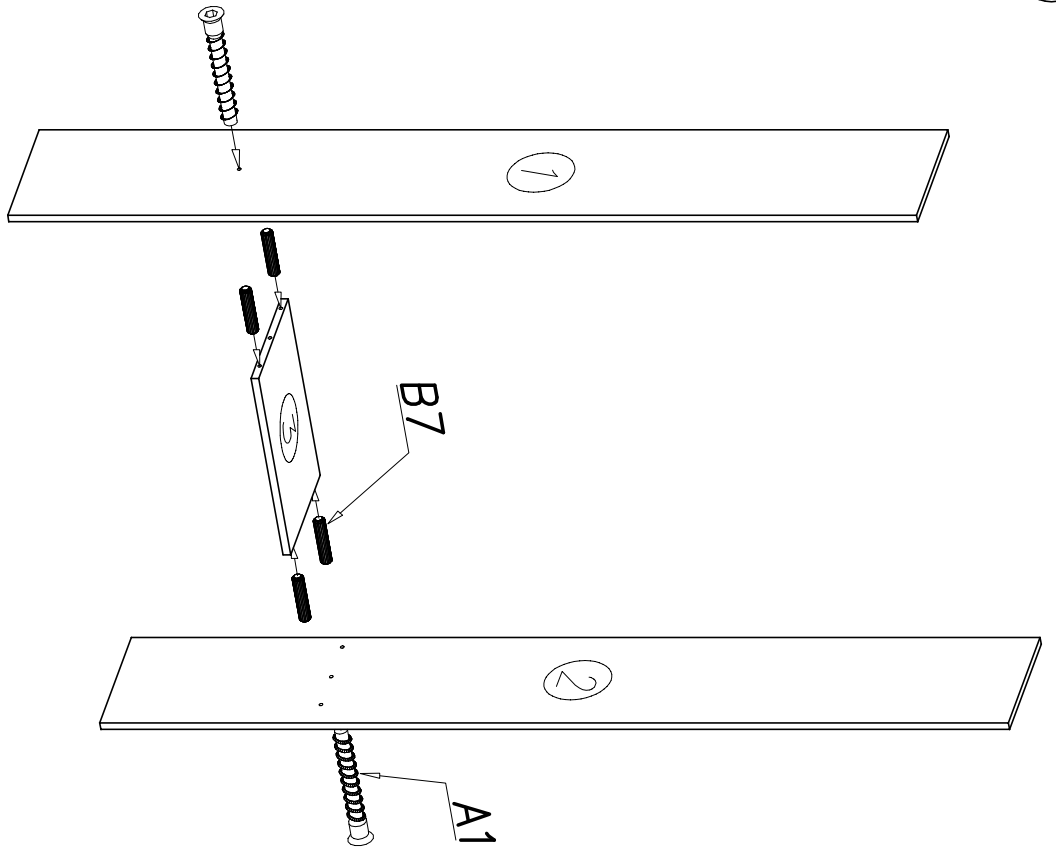
NANO

1

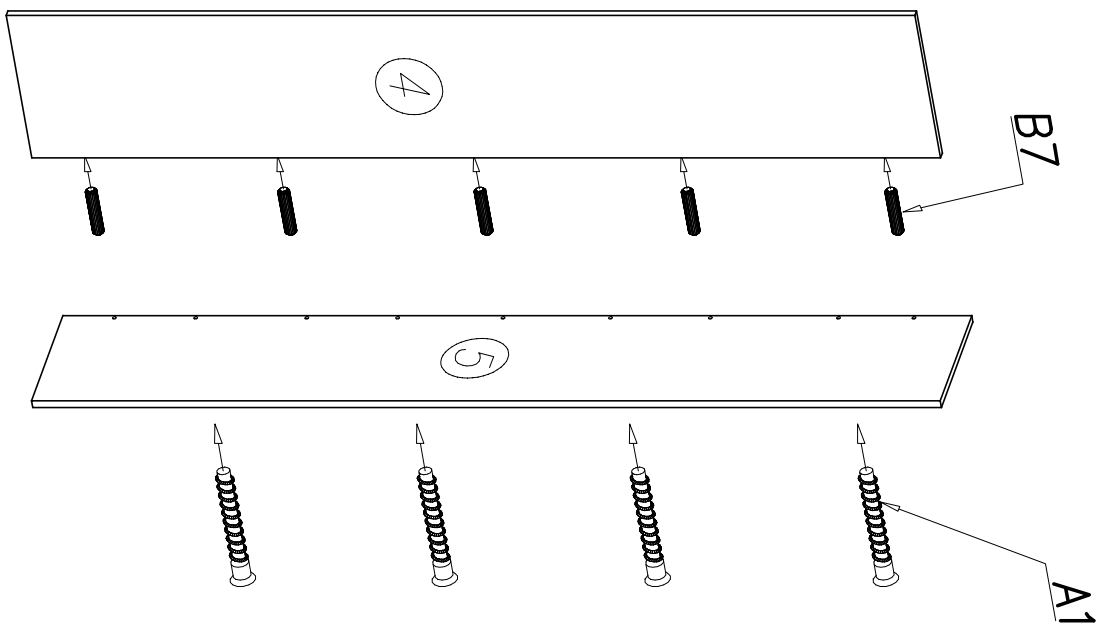


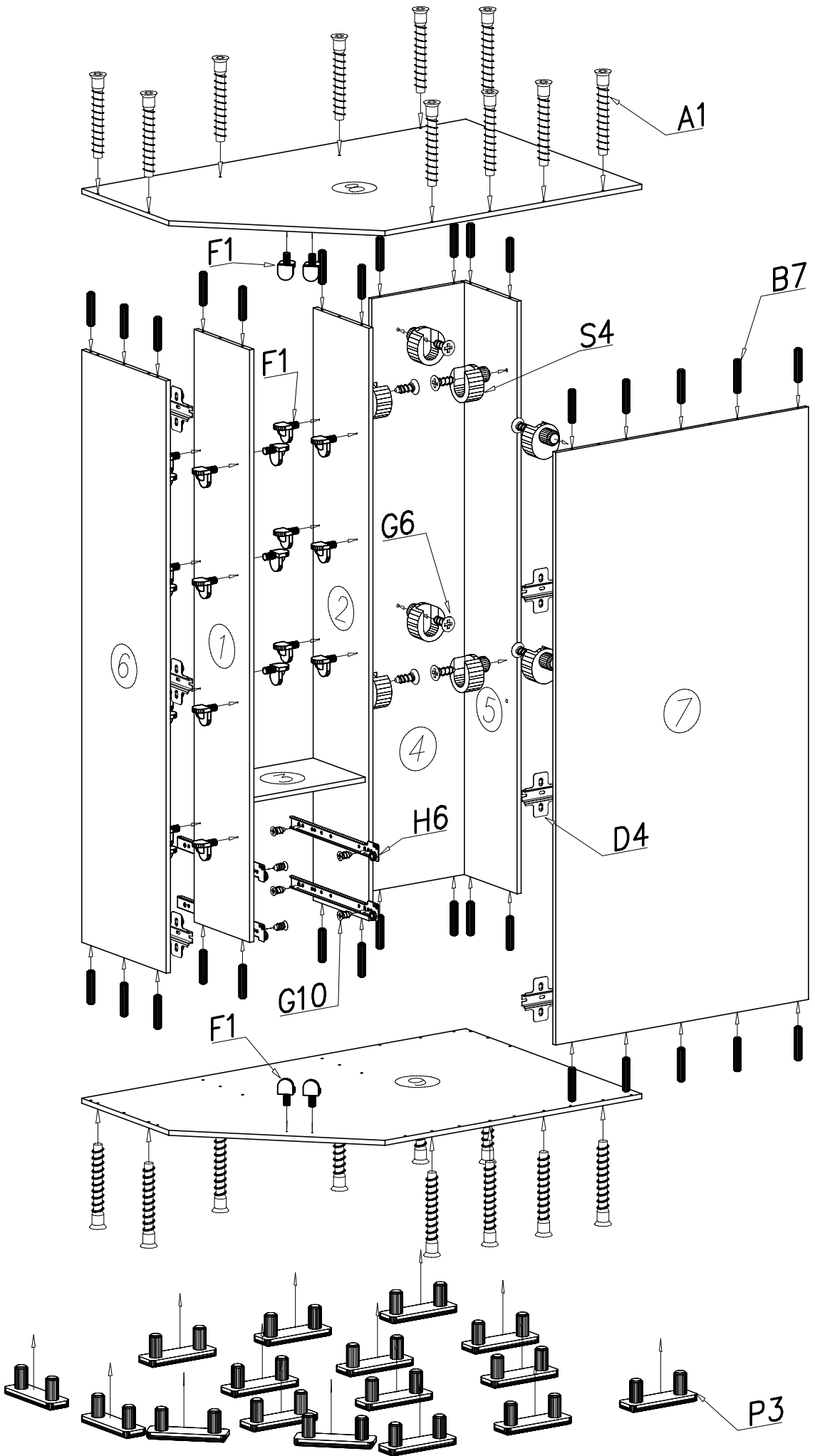
G6 3x13 x8 	F1 x32 	S4 x8 	S5b 904mm x2 	S5a 536mm x2
D4 x6 	C4 x6 	P3 x16 	S2 x13 	G10 6x13 x8
W1 x3 GLUE, LEIM, LEPIDLO, LIM 	G2 3x20 x90 	E36 x3 	G13 4x22 x6 	H6 x2
A1 ø7x50 x26 	B7 ø8x30 x57 	G4 4x16 x24 	W2 x1 	300mm x2

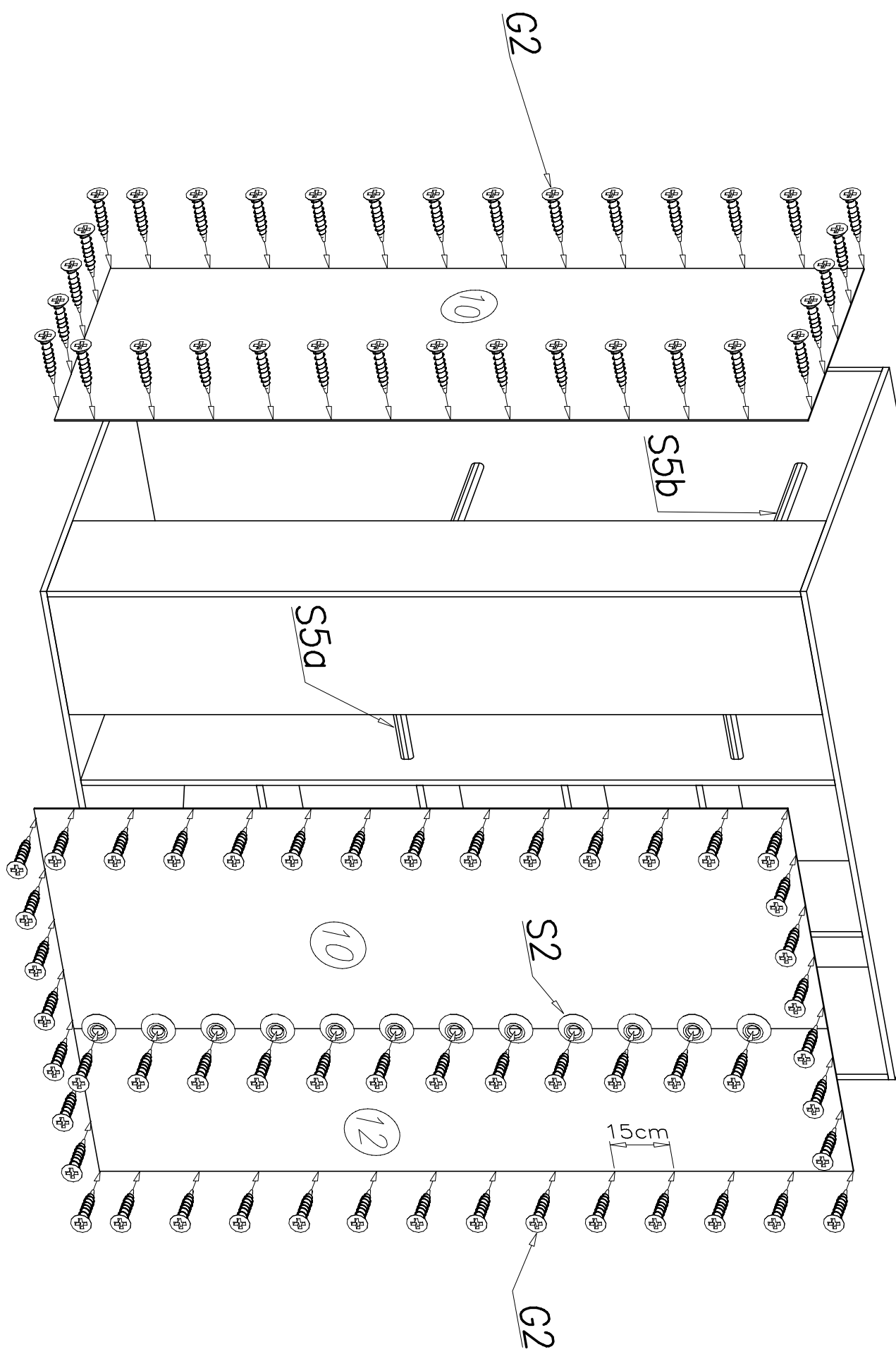
I



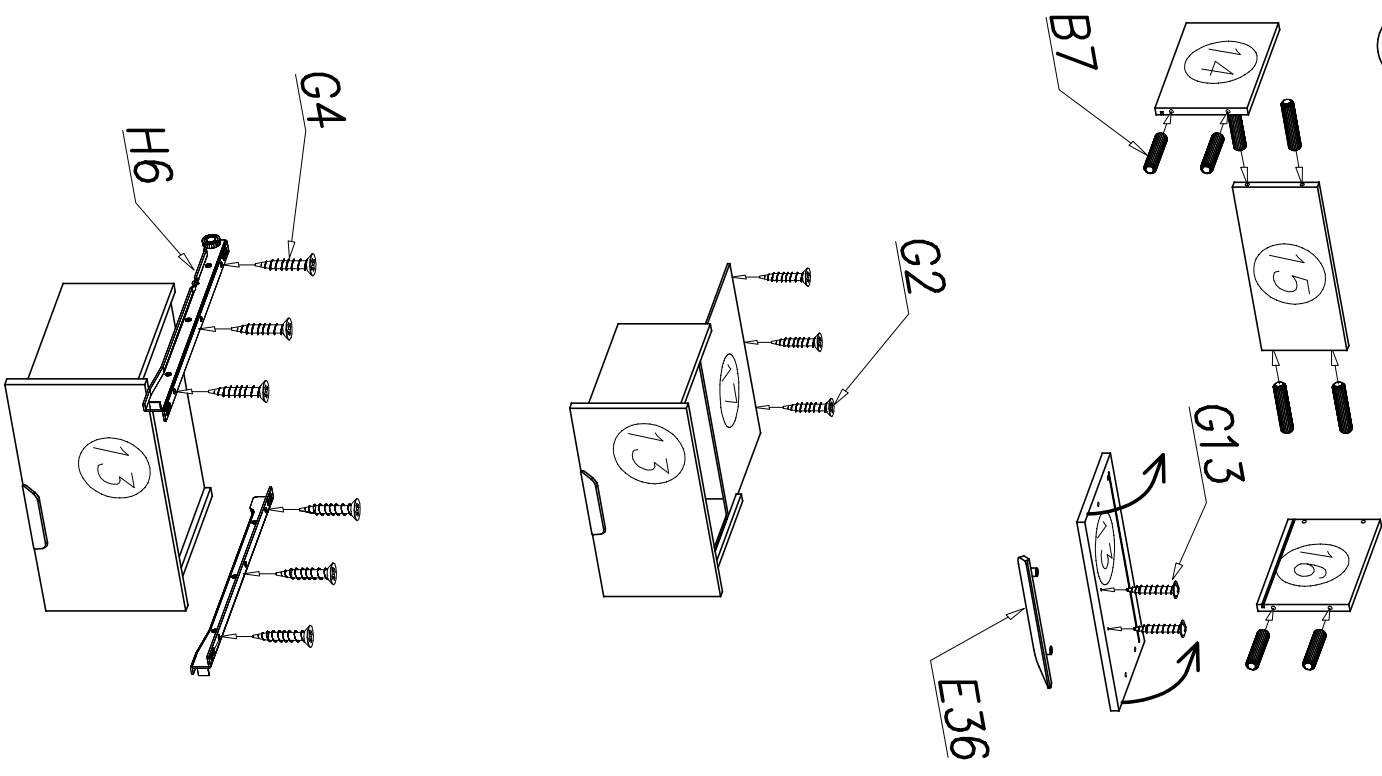
II







V



VI

