

WARNING:

Read this material before using this product. Failure to do so can result in serious injury.

Assembly precautions

1. Assemble only according to these instructions. Improper assembly can create hazards. .
2. Wear ANSI-approved safety goggles and heavy-duty work gloves during assembly.
3. Keep the assembly area clean and well-lit.
4. Keep bystanders out of the area during assembly.
5. Do not assemble when tired or when under the influence of alcohol, drugs or medication.
6. The product capabilities apply to properly and completely assembled products only.
7. For additional information regarding the parts listed in the following pages, please refer to the Assembly Diagram of this manual. Unwrap and separate all parts in a clean work area.

Use precautions

1. Do not use this product for any purpose not explicitly specified by manufacture. Manufacture is not responsible for damage or injury caused by incorrect assembly or use.
2. Inspect before every use; do not use if parts are loose or damaged.

SAVE THESE INSTRUCTIONS

Manufacturer: Shanghaimuxinmuyeyouxiangongsi
 Address: Shuangchenglu 803nong11hao1602A-1609shi, baoshanqu, shanghai 200000 CN.
 Imported to AUS: SIHAO PTY LTD.
 1 ROKEVA STREETEASTWOOD NSW 2122 Australia
 Imported to USA: Sanven Technology Ltd.
 Suite 250, 9166 Anaheim Place, Rancho Cucamonga, CA 91730

EC REP E-CrossStu GmbH
 Mainzer Landstr.69,
 60329 Frankfurt am Main.

UK REP YH CONSULTING LIMITED.
 C/O YH Consulting Limited Office 147,
 Centurion House, London Road,
 Staines-upon-Thames, Surrey, TW18 4AX

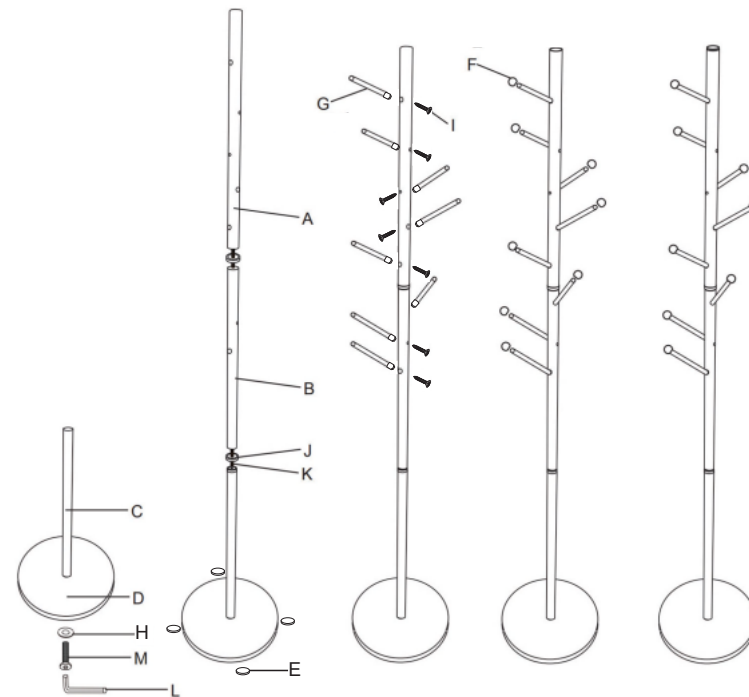
This is the original instruction, please read all manual instructions carefully before operating. VEVOR reserves a clear interpretation of our user manual. The appearance of the product shall be subject to the product you received. Please forgive us that we won't inform you again if there are any technology or software updates on our product. Made in China

VEVOR

Affordable. Reliable. Home Improvement.

COAT RACK

Model: GH-L618



A		1
B		1
C		1
D		1
E		4
F		8
G		8
H		1
I		8
J		2
K		2
L		1
M		1

Tips:

1. Before installation, check all parts according to the parts list and verify whether the parts are complete.
2. Assemble the product in the correct order as instructed.



WARNING:

Read this material before using this product. Failure to do so can result in serious injury.

Assembly precautions

1. Assemble only according to these instructions. Improper assembly can create hazards. .
2. Wear ANSI-approved safety goggles and heavy-duty work gloves during assembly.
3. Keep the assembly area clean and well-lit.
4. Keep bystanders out of the area during assembly.
5. Do not assemble when tired or when under the influence of alcohol, drugs or medication.
6. The product capabilities apply to properly and completely assembled products only.
7. For additional information regarding the parts listed in the following pages, please refer to the Assembly Diagram of this manual. Unwrap and separate all parts in a clean work area.

Use precautions

1. Do not use this product for any purpose not explicitly specified by manufacture. Manufacture is not responsible for damage or injury caused by incorrect assembly or use.
2. Inspect before every use; do not use if parts are loose or damaged.

SAVE THESE INSTRUCTIONS

Manufacturer: Shanghai muxinmuyeyouxiangongsi
 Address: Shuangchenglu 803nong11hao1602A-1609shi, baoshanqu, shanghai 200000 CN.
 Imported to AUS: SIHAO PTY LTD.
 1 ROKEVA STREETEASTWOOD NSW 2122 Australia
 Imported to USA: Sanven Technology Ltd.
 Suite 250, 9166 Anaheim Place, Rancho Cucamonga, CA 91730

EC REP E-CrossStu GmbH
 Mainzer Landstr.69,
 60329 Frankfurt am Main.

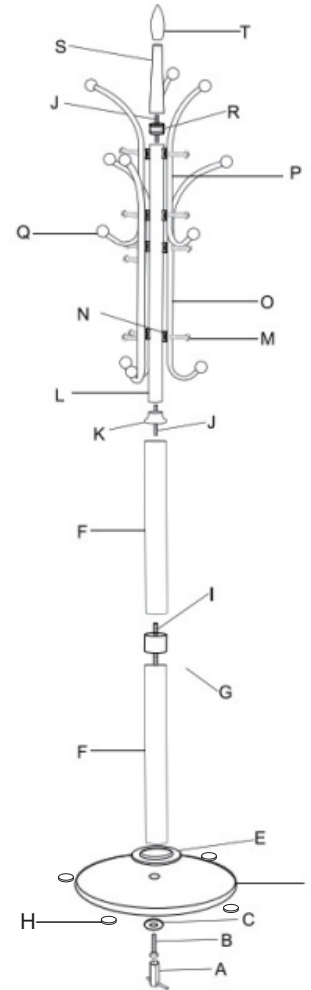
UK REP YH CONSULTING LIMITED.
 C/O YH Consulting Limited Office 147,
 Centurion House, London Road,
 Staines-upon-Thames, Surrey, TW18 4AX

This is the original instruction, please read all manual instructions carefully before operating. VEVOR reserves a clear interpretation of our user manual. The appearance of the product shall be subject to the product you received. Please forgive us that we won't inform you again if there are any technology or software updates on our product. Made in China

VEVOR

Affordable. Reliable. Home Improvement.

Model: GH-6206s



A		1
B		1
C		1
D		1
E		1
F		2
G		1
H		4
I		1
J		2
K		1
L		1
M		12
N		12
O		3
P		3
Q		12
R		1
S		1
T		1

Tips:

1. Before installation, check all parts according to the parts list and verify whether the parts are complete.
2. Assemble the product in the correct order as instructed.



- Tips:
1. Before installation, check all parts according to the parts list and verify whether the parts are complete.
 2. Assemble the product in the correct order as instructed.

WARNING:
Read this material before using this product. Failure to do so can result in serious injury.

Assembly precautions

1. Assemble only according to these instructions. Improper assembly can create hazards. .
2. Wear ANSI-approved safety goggles and heavy-duty work gloves during assembly.
3. Keep the assembly area clean and well-lit.
4. Keep bystanders out of the area during assembly.
5. Do not assemble when tired or when under the influence of alcohol, dr or medication.
6. The product capabilities apply to properly and completely assembled products only.
7. For additional information regarding the parts listed in the following p; please refer to the Assembly Diagram of this manual. Unwrap and separat parts in a clean work area.

Use precautions

1. Do not use this product for any purpose not explicitly specified by man facture. Manufacture is not responsible for damage or injury caused by in rect assembly or use.
2. Inspect before every use; do not use if parts are loose or damaged.

SAVE THESE INSTRUCTIONS

Manufacturer: Shanghaimuxinmuyeyouxiangongsi
Address: Shuangchenglu 803nong11hao1602A-1609shi, baoshanqu, shanghai 200000 CN.
Imported to AUS: SIHAO PTY LTD.
1 ROKEVA STREETEASTWOOD NSW 2122 Australia
Imported to USA: Sanven Technology Ltd.
Suite 250, 9166 Anaheim Place, Rancho Cucamonga, CA 91730

EC REP E-CrossStu GmbH
Mainzer Landstr.69,
60329 Frankfurt am Main.

UK REP YH CONSULTING LIMITED.
C/O YH Consulting Limited Office 14;
Centurion House, London Road,
Staines-upon-Thames, Surrey, TW18 4

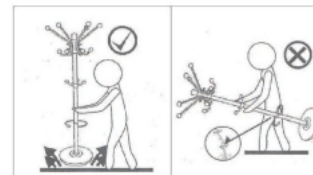
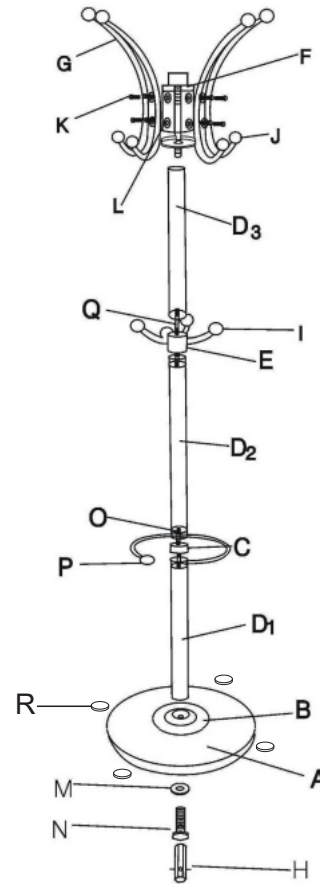
This is the original instruction, please read all manual instructions carefully befo operating. VEVOR reserves a clear interpretation of our user manual. The appear ance of the product shall be subject to the product you received. Please forgive that we won't inform you again if there are any technology or software updates our product. Made in China

VEVOR

Affordable. Reliable. Home Improvement.

COAT RACK

Model: GH-8617



A		1
B		1
C		1
D		3
E		1
F		1
G		5
H		1
I		4
J		10
K		10
L		10
M		1
N		1
O		1
P		1
Q		1
R		4



VEVOR

Affordable. Reliable. Home Improvement.

COAT RACK

Model: GH-L619

Assembly precautions

1. Assemble only according to these instructions. Improper assembly can create hazards. .
2. Wear ANSI-approved safety goggles and heavy-duty work gloves during assembly.
3. Keep the assembly area clean and well-lit.
4. Keep bystanders out of the area during assembly.
5. Do not assemble when tired or when under the influence of alcohol, drugs or medication.
6. The product capabilities apply to properly and completely assembled products only.
7. For additional information regarding the parts listed in the following pages, please refer to the Assembly Diagram of this manual. Unwrap and separate all parts in a clean work area.

Use precautions

1. Do not use this product for any purpose not explicitly specified by manufacture. Manufacture is not responsible for damage or injury caused by incorrect assembly or use.
2. Inspect before every use; do not use if parts are loose or damaged.

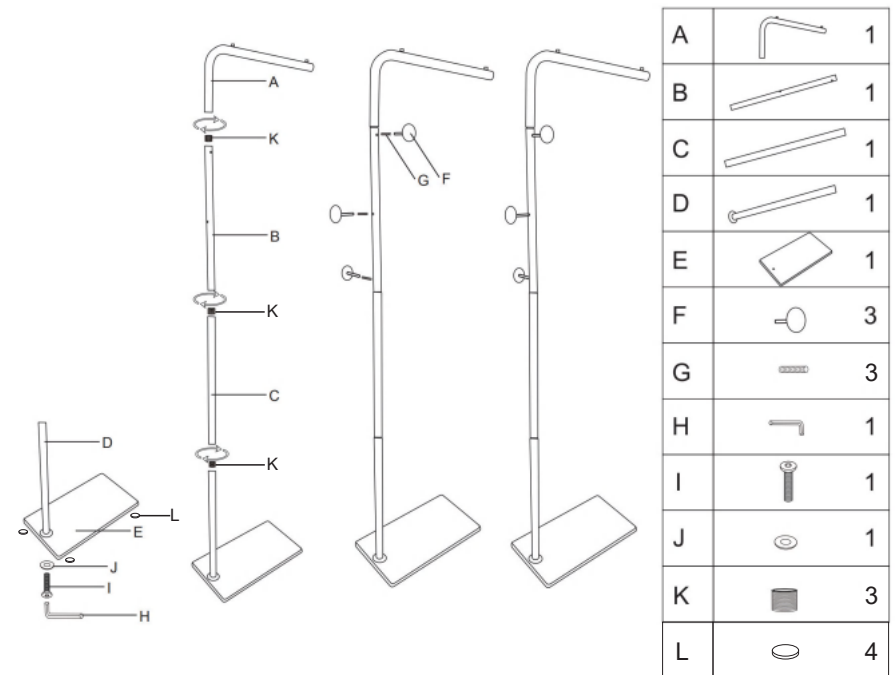
SAVE THESE INSTRUCTIONS

Manufacturer: Shanghaimuxinmuyeyouxiangongsi
 Address: Shuangchenglu 803nong11hao1602A-1609shi, baoshanqu, shanghai 200000 CN.
 Imported to AUS: SIHAO PTY LTD.
 1 ROKEVA STREETEASTWOOD NSW 2122 Australia
 Imported to USA: Sanven Technology Ltd.
 Suite 250, 9166 Anaheim Place, Rancho Cucamonga, CA 91730

EC REP E-CrossStu GmbH
 Mainzer Landstr.69,
 60329 Frankfurt am Main.

UK REP YH CONSULTING LIMITED.
 C/O YH Consulting Limited Office 147,
 Centurion House, London Road,
 Staines-upon-Thames, Surrey, TW18 4AX

This is the original instruction, please read all manual instructions carefully before operating. VEVOR reserves a clear interpretation of our user manual. The appearance of the product shall be subject to the product you received. Please forgive us that we won't inform you again if there are any technology or software updates on our product. Made in China



TTips:

1. Before installation, check all parts according to the parts list and verify whether the parts are complete.
2. Assemble the product in the correct order as instructed.

WARNING:

Read this material before using this product. Failure to do so can result in serious injury.



Tips:

1. Before installation, check all parts according to the parts list and verify whether the parts are complete.
2. Assemble the product in the correct order as instructed.

WARNING:

Read this material before using this product. Failure to do so can result in serious injury.

Assembly precautions

1. Assemble only according to these instructions. Improper assembly can create hazards. .
2. Wear ANSI-approved safety goggles and heavy-duty work gloves during assembly.
3. Keep the assembly area clean and well-lit.
4. Keep bystanders out of the area during assembly.
5. Do not assemble when tired or when under the influence of alcohol, drugs or medication.
6. The product capabilities apply to properly and completely assembled products only.
7. For additional information regarding the parts listed in the following pages, please refer to the Assembly Diagram of this manual. Unwrap and separate all parts in a clean work area.

Use precautions

1. Do not use this product for any purpose not explicitly specified by manufacture. Manufacture is not responsible for damage or injury caused by incorrect assembly or use.
2. Inspect before every use; do not use if parts are loose or damaged.

SAVE THESE INSTRUCTIONS

Manufacturer: Shanghai muxinmuyeyouxiangongsi

Address: Shuangchenglu 803nong11hao1602A-1609shi, baoshanqu, shanghai 200000 CN.

Imported to AUS: SIHAO PTY LTD.

1 ROKEVA STREETEASTWOOD NSW 2122 Australia

Imported to USA: Sanven Technology Ltd.

Suite 250, 9166 Anaheim Place, Rancho Cucamonga, CA 91730

EC REP E-CrossStu GmbH
Mainzer Landstr.69,
60329 Frankfurt am Main.

UK REP YH CONSULTING LIMITED.
C/O YH Consulting Limited Office 147,
Centurion House, London Road,
Staines-upon-Thames, Surrey, TW18 4AX

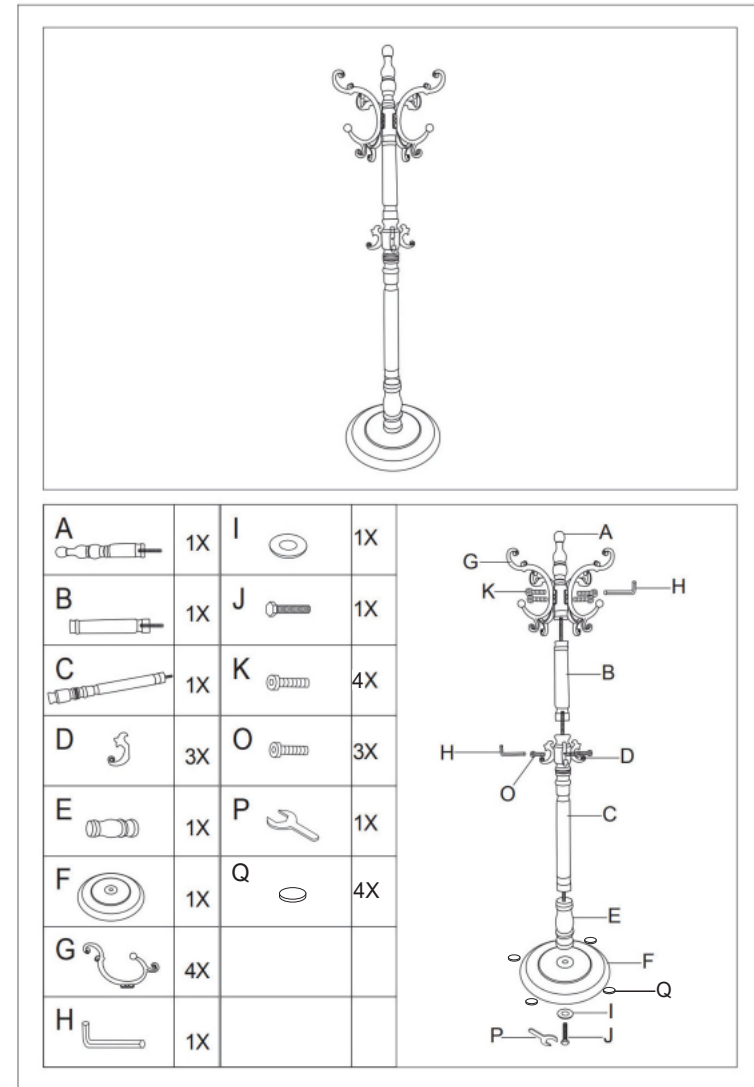
This is the original instruction, please read all manual instructions carefully before operating. VEVOR reserves a clear interpretation of our user manual. The appearance of the product shall be subject to the product you received. Please forgive us that we won't inform you again if there are any technology or software updates on our product. Made in China

VEVOR

Affordable. Reliable. Home Improvement.

COAT RACK

Model: M-52



WARNING:

Read this material before using this product. Failure to do so can result in serious injury.

Assembly precautions

1. Assemble only according to these instructions. Improper assembly can create hazards. .
2. Wear ANSI-approved safety goggles and heavy-duty work gloves during assembly.
3. Keep the assembly area clean and well-lit.
4. Keep bystanders out of the area during assembly.
5. Do not assemble when tired or when under the influence of alcohol, drugs or medication.
6. The product capabilities apply to properly and completely assembled products only.
7. For additional information regarding the parts listed in the following pages, please refer to the Assembly Diagram of this manual. Unwrap and separate all parts in a clean work area.

Use precautions

1. Do not use this product for any purpose not explicitly specified by manufacture. Manufacture is not responsible for damage or injury caused by incorrect assembly or use.
2. Inspect before every use; do not use if parts are loose or damaged.

SAVE THESE INSTRUCTIONS

Manufacturer: Shanghaimuxinmuyeyouxiangongsi
 Address: Shuangchenglu 803nong11hao1602A-1609shi, baoshanqu, shanghai 200000 CN.
 Imported to AUS: SIHAO PTY LTD.
 1 ROKEVA STREETEASTWOOD NSW 2122 Australia
 Imported to USA: Sanven Technology Ltd.
 Suite 250, 9166 Anaheim Place, Rancho Cucamonga, CA 91730

EC REP E-CrossStu GmbH
 Mainzer Landstr.69,
 60329 Frankfurt am Main.

UK REP YH CONSULTING LIMITED.
 C/O YH Consulting Limited Office 147,
 Centurion House, London Road,
 Staines-upon-Thames, Surrey, TW18 4AX

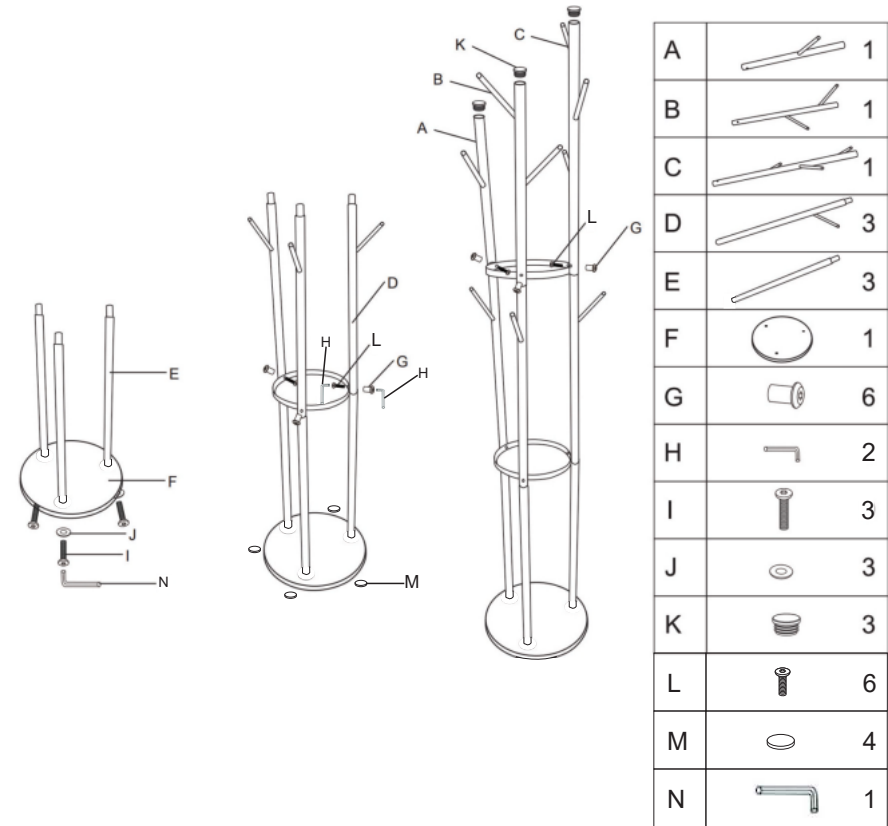
This is the original instruction, please read all manual instructions carefully before operating. VEVOR reserves a clear interpretation of our user manual. The appearance of the product shall be subject to the product you received. Please forgive us that we won't inform you again if there are any technology or software updates on our product. Made in China

VEVOR

Affordable. Reliable. Home Improvement.

COAT RACK

Model: GH-620



Tips:

1. Before installation, check all parts according to the parts list and verify whether the parts are complete.
2. Assemble the product in the correct order as instructed.



- Tips:
1. Before installation, check all parts according to the parts list and verify whether the parts are complete.
 2. Assemble the product in the correct order as instructed.

WARNING:

Read this material before using this product. Failure to do so can result in serious injury.

Assembly precautions

1. Assemble only according to these instructions. Improper assembly can create hazards. .
 2. Wear ANSI-approved safety goggles and heavy-duty work gloves during assembly.
 3. Keep the assembly area clean and well-lit.
 4. Keep bystanders out of the area during assembly.
 5. Do not assemble when tired or when under the influence of alcohol, drugs or medication.
 6. The product capabilities apply to properly and completely assembled products only.
 7. For additional information regarding the parts listed in the following pages, please refer to the Assembly Diagram of this manual. Unwrap and separate all parts in a clean work area.
- Use precautions
1. Do not use this product for any purpose not explicitly specified by manufacture. Manufacture is not responsible for damage or injury caused by incorrect assembly or use.
 2. Inspect before every use; do not use if parts are loose or damaged.

SAVE THESE INSTRUCTIONS

Manufacturer: Shanghai muxinmuyeyouxiangongsi
 Address: Shuangchenglu 803nong11hao1602A-1609shi, baoshanqu, shanghai 200000 CN.
 Imported to AUS: SIHAO PTY LTD.
 1 ROKEVA STRETEASTWOOD NSW 2122 Australia
 Imported to USA: Sanven Technology Ltd.
 Suite 250, 9166 Anaheim Place, Rancho Cucamonga, CA 91730

EC REP E-CrossStu GmbH
 Mainzer Landstr.69,
 60329 Frankfurt am Main.

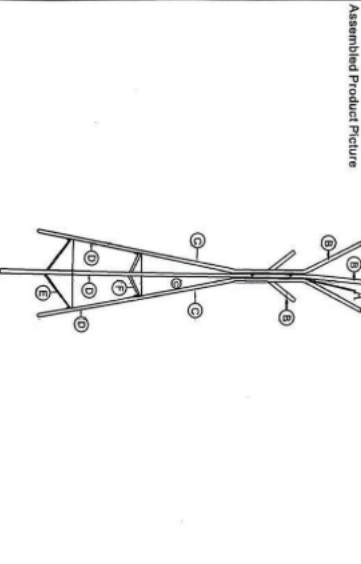
UK REP YH CONSULTING LIMITED.
 C/O YH Consulting Limited Office 147,
 Centurion House, London Road,
 Staines-upon-Thames, Surrey, TW18 4AX

This is the original instruction, please read all manual instructions carefully before operating. VEVOR reserves a clear interpretation of our user manual. The appearance of the product shall be subject to the product you received. Please forgive us that we won't inform you again if there are any technology or software updates on our product. Made in China

VEVOR

Affordable. Reliable. Home Improvement.

COAT RACK Model: GH-309

		<p>1. Before installation, check all parts according to the parts list and verify whether the parts are complete. Contact the service provider if you have any questions. 2. Assemble the product in the correct order as instructed.</p>	
<p>Accessories are as follows:</p>		<p>Step 1: Take 3 Tube (D), 1 Small triangle board (E), 2 Screws (G) and 8 Small screws (H) install them as shown in below picture.</p>	
(A)	Tube A	(E)	Triangle board (top)
(B)	Tube B (with masking)	(F)	Triangle board (left)
(C)	Tube C	(G)	Screw (top)
(D)	Tube D	(H)	Screw (left)
X1		(I)	
X3		(J)	
X3			
X3			
X1			
X1			
X6			
X6			
X8			
X2			
<p>Step 2: Install Tube C (with masking) (C) on the top of Tube (D).</p>		<p>Step 3: Continue to install Tube B (B) on the top of Tube (C).</p>	
<p>Step 4: Take Tube A (A) and 8 Long screws (I) install them in the location shown in below picture. The installation is completed.</p>		<p>Step 5: Install Tube A (A) and 8 Long screws (I) install them in the location shown in below picture. The installation is completed.</p>	



OSTRZEŻENIE:

Przeczytaj ten materiał przed użyciem tego produktu. Nieprzestrzeganie tego może spowodować poważne obrażenia.

Środki ostrożności podczas montażu

1. Montaż należy wykonywać wyłącznie zgodnie z niniejszą instrukcją. Nieprawidłowy montaż może stwarzać zagrożenia.

2. Podczas montażu należy nosić okulary ochronne z atestem ANSI oraz wytrzymałe rękawice robocze.

3. Utrzymuj miejsce zgromadzenia w czystości i zapewnij dobre oświetlenie.

4. Podczas montażu nie dopuszczaj osób postronnych na teren montażu.

5. Nie przychodź na zgromadzenia, jeśli jesteś zmęczony lub pod wpływem alkoholu, narkotyków lub leków.

6. Możliwości produktu odnoszą się wyłącznie do produktów prawidłowo i kompletnie zmontowanych.

7. Aby uzyskać dodatkowe informacje dotyczące części wymienionych na kolejnych stronach, zapoznaj się ze schematem montażu w tym podręczniku. Rozpakuj i oddziel wszystkie części w czystym miejscu pracy.

Stosuj środki ostrożności

1. Nie używaj tego produktu do celów, które nie zostały wyraźnie określone przez producenta. Producent nie ponosi odpowiedzialności za uszkodzenia lub obrażenia spowodowane nieprawidłowym montażem lub użytkowaniem.

2. Przed każdym użyciem należy przeprowadzić kontrolę. Nie należy używać produktu, jeśli jakieś części są luźne lub uszkodzone.

ZAPISZ TE INSTRUKCJE

Producent: Shanghaimuxinmuyeyouxiangongsi

Adres: Shuangchenglu 803nong11hao1602A-1609shi, Baoshanqu, Szanghaj 200000 CN.

Importowane do AUS: SIHAO PTY LTD.

1 ROKEVA STRETEASTWOOD NSW 2122 Australia

Importowane do USA: Sanven Technology Ltd.

Apartament 250, 9166 Anaheim Place, Rancho Cucamonga, CA 91730

EC REP E-CrossStu GmbH
Mainzer Landstr.69,
60329 Frankfurt nad Menem.

UK REP YH CONSULTING LIMITED.
C/O YH Consulting Limited Biuro 147,
Centurion House, London Road,
Staines-upon-Thames, Surrey, TW18 4AX

To jest oryginalna instrukcja, przed rozpoczęciem użytkowania należy uważnie przeczytać wszystkie instrukcje. VEVOR zastrzega sobie prawo do jednoznacznej interpretacji naszej instrukcji obsługi. Pojawienie się Jakość produktu będzie zależeć od produktu, który otrzymałeś. Przepraszamy, że nie poinformujemy Cię ponownie, jeśli pojawią się jakiegokolwiek aktualizacje technologii lub oprogramowania w naszym produkcie.

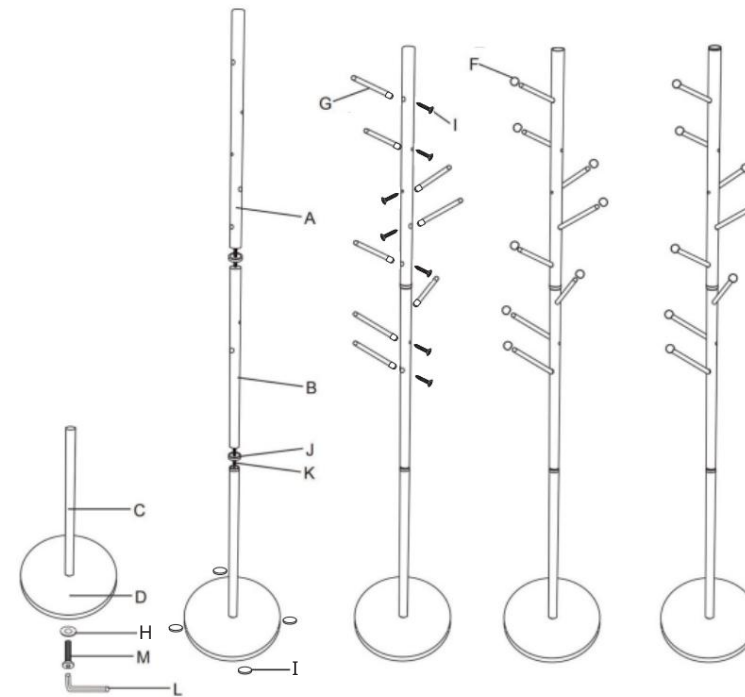
Wyprodukowano w Chinach

VEVOR

Affordable. Reliable. Home Improvement.

WIESZAK NA UBRANIA

Modele: GH-L618



A		1
B		1
C		1
D		1
E		4
F		8
G		8
H		1
I		8
J		2
K		2
L		1
M		1

Porady:

1. Przed montażem należy sprawdzić wszystkie części zgodnie z listą części i upewnić się, że są kompletne.
2. Złóż produkt w prawidłowej kolejności, zgodnie z instrukcją.



OSTRZEŻENIE:

Przeczytaj ten materiał przed użyciem tego produktu. Nieprzestrzeganie tego może spowodować poważne obrażenia.

Środki ostrożności podczas montażu

1. Montaż należy wykonywać wyłącznie zgodnie z niniejszą instrukcją. Nieprawidłowy montaż może stwarzać zagrożenia.
2. Podczas montażu należy nosić okulary ochronne z atestem ANSI oraz wytrzymałe rękawice robocze.
3. Utrzymuj miejsce zgromadzenia w czystości i zapewnij dobre oświetlenie.
4. Podczas montażu nie dopuszczaj osób postronnych na teren montażu.
5. Nie przychodź na zgromadzenia, jeśli jesteś zmęczony lub pod wpływem alkoholu, narkotyków lub leków.
6. Możliwości produktu odnoszą się wyłącznie do produktów prawidłowo i kompletnie zmontowanych.
7. Aby uzyskać dodatkowe informacje dotyczące części wymienionych na kolejnych stronach, zapoznaj się ze schematem montażu w tym podręczniku. Rozpakuj i oddziel wszystkie części w czystym miejscu pracy.

Stosuj środki ostrożności

1. Nie używaj tego produktu do celów, które nie zostały wyraźnie określone przez producenta. Producent nie ponosi odpowiedzialności za uszkodzenia lub obrażenia spowodowane nieprawidłowym montażem lub użytkowaniem.
2. Przed każdym użyciem należy przeprowadzić kontrolę. Nie należy używać produktu, jeśli jakieś części są luźne lub uszkodzone.

ZAPISZ TE INSTRUKCJE

Producent: Shanghaimuxinmuyeyouxiangongsi

Adres: Shuangchenglu 803nong11hao1602A-1609shi, Baoshanqu, Szanghaj 200000 CN.

Importowane do AUS: SIHAO PTY LTD.

1 ROKEVA STREETEASTWOOD NSW 2122 Australia

Importowane do USA: Sanven Technology Ltd.

Apartament 250, 9166 Anaheim Place, Rancho Cucamonga, CA 91730

EC REP E-CrossStu GmbH
Mainzer Landstr.69,
60329 Frankfurt nad Menem.

UK REP YH CONSULTING LIMITED.
C/O YH Consulting Limited Biuro 147,
Centurion House, London Road,
Staines-upon-Thames, Surrey, TW18 4AX

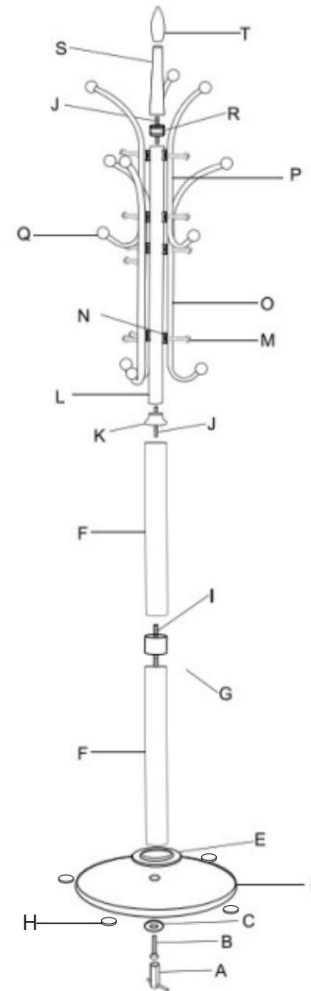
To jest oryginalna instrukcja, przed rozpoczęciem użytkowania należy uważnie przeczytać wszystkie instrukcje. VEVOR zastrzega sobie prawo do jednoznacznej interpretacji naszej instrukcji obsługi. Pojawienie się - Jakość produktu będzie zależeć od produktu, który otrzymałeś. Przepraszamy, że nie poinformujemy Cię ponownie, jeśli pojawią się jakiegokolwiek aktualizacje technologii lub oprogramowania w naszym produkcie.

Wyprodukowane w Chinach
SKU1:GH-6206S

VEVOR

Affordable. Reliable. Home Improvement.

Modele: GH-6206s



A		1
B		1
C		1
D		1
E		1
F		2
G		1
H		4
I		1
J		2
K		1
L		1
M		12
N		12
O		3
P		3
Q		12
R		1
S		1
T		1

Porady:

1. Przed montażem należy sprawdzić wszystkie części zgodnie z listą części i upewnić się, że są kompletne.
2. Złóż produkt w prawidłowej kolejności, zgodnie z instrukcją.



Porady:

1. Przed montażem należy sprawdzić wszystkie części zgodnie z listą części i upewnić się, że są kompletne.
2. Złóż produkt w prawidłowej kolejności, zgodnie z instrukcją.

OSTRZEŻENIE:

Przeczytaj ten materiał przed użyciem tego produktu. Nieprzestrzeganie tego może spowodować poważne obrażenia.

Środki ostrożności podczas montażu

1. Montaż należy wykonywać wyłącznie zgodnie z niniejszą instrukcją. Nieprawidłowy montaż może stwarzać zagrożenia.
2. Podczas montażu należy nosić okulary ochronne z atestem ANSI oraz wytrzymałe rękawice robocze.
3. Utrzymuj miejsce zgromadzenia w czystości i zapewnij dobre oświetlenie.
4. Podczas montażu nie dopuszczaj osób postronnych na teren montażu.
5. Nie przychodź na zgromadzenia, jeśli jesteś zmęczony lub pod wpływem alkoholu, narkotyków lub leków.
6. Możliwości produktu odnoszą się wyłącznie do produktów prawidłowo i kompletnie zmontowanych.
7. Aby uzyskać dodatkowe informacje dotyczące części wymienionych na kolejnych stronach, zapoznaj się ze schematem montażu w tym podręczniku. Rozpakuj i oddziel wszystkie części w czystym miejscu pracy.

Stosuj środki ostrożności

1. Nie używaj tego produktu do celów, które nie zostały wyraźnie określone przez producenta. Producent nie ponosi odpowiedzialności za uszkodzenia lub obrażenia spowodowane nieprawidłowym montażem lub użytkowaniem.
2. Przed każdym użyciem należy przeprowadzić kontrolę. Nie należy używać produktu, jeśli jakieś części są luźne lub uszkodzone.

ZAPISZ TE INSTRUKCJE

Producent: Shanghaimuxinmuyeyouxiangongsi

Adres: Shuangchenglu 803nong11hao1602A-1609shi, Baoshanqu, Szanghaj 200000 CN.

Importowane do AUS: SIHAO PTY LTD.

1 ROKEVA STREETEASTWOOD NSW 2122 Australia

Importowane do USA: Sanven Technology Ltd.

Apartment 250, 9166 Anaheim Place, Rancho Cucamonga, CA 91730



E-CrossStu GmbH
Mainzer Landstr.69,
60329 Frankfurt nad Menem.



YH CONSULTING LIMITED.
C/O YH Consulting Limited Biuro 147,
Centurion House, London Road,
Staines-upon-Thames, Surrey, TW18 4AX

To jest oryginalna instrukcja, przed rozpoczęciem użytkowania należy uważnie przeczytać wszystkie instrukcje. VEVOR zastrzega sobie prawo do jednoznacznej interpretacji naszej instrukcji obsługi. Pojawienie się

Jakość produktu będzie zależeć od produktu, który otrzymałeś. Przepraszamy, że nie poinformujemy Cię ponownie, jeśli pojawią się jakiegokolwiek aktualizacje technologii lub oprogramowania w naszym produkcie.

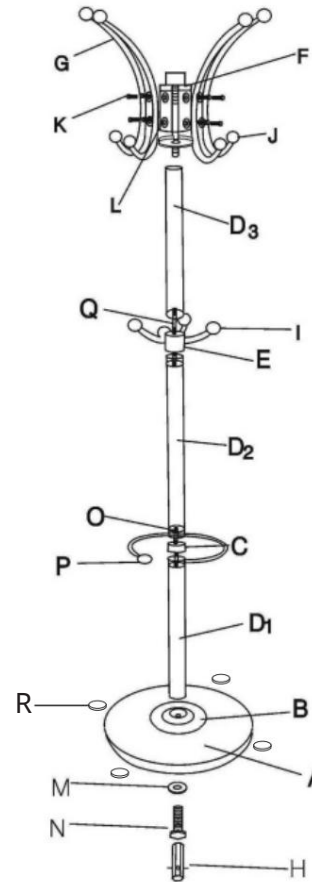
Wyprodukowano w Chinach

VEVOR

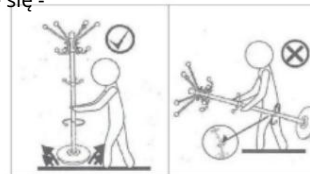
Affordable. Reliable. Home Improvement.

WIESZAK NA UBRANIA

Model: GH-8617



A		1
B		1
C		1
D		3
E		1
F		1
G		5
H		1
I		4
J		10
K		10
L		10
M		1
N		1
O		1
P		1
Q		1
R		4



VEVOR

Affordable. Reliable. Home Improvement.

WIESZAK NA UBRANIA

Modele: GH-L619

Środki ostrożności podczas montażu

1. Montaż należy wykonywać wyłącznie zgodnie z niniejszą instrukcją. Nieprawidłowy montaż może stwarzać zagrożenia.
2. Podczas montażu należy nosić okulary ochronne z atestem ANSI oraz wytrzymałe rękawice robocze.
3. Utrzymuj miejsce zgromadzenia w czystości i zapewnij dobre oświetlenie.
4. Podczas montażu nie dopuszczaj osób postronnych na teren montażu.
5. Nie przychodź na zgromadzenia, jeśli jesteś zmęczony lub pod wpływem alkoholu, narkotyków lub leków.
6. Możliwości produktu odnoszą się wyłącznie do produktów prawidłowo i kompletnie zmontowanych.
7. Aby uzyskać dodatkowe informacje dotyczące części wymienionych na kolejnych stronach, zapoznaj się ze schematem montażu w tym podręczniku. Rozpakuj i oddziel wszystkie części w czystym miejscu pracy.

Stosuj środki ostrożności

1. Nie używaj tego produktu do celów, które nie zostały wyraźnie określone przez producenta. Producent nie ponosi odpowiedzialności za uszkodzenia lub obrażenia spowodowane nieprawidłowym montażem lub użytkowaniem.
2. Przed każdym użyciem należy przeprowadzić kontrolę. Nie należy używać produktu, jeśli jakieś części są luźne lub uszkodzone.

ZAPISZ TE INSTRUKCJE

Producent: Shanghai muxinmuyeyouxiangongsi

Adres: Shuangchenglu 803nong11hao1602A-1609shi, Baoshanqu, Szanghaj 200000 CN.

Importowane do AUS: SIHAO PTY LTD.

1 ROKEVA STREET EASTWOOD NSW 2122 Australia

Importowane do USA: Sanven Technology Ltd.

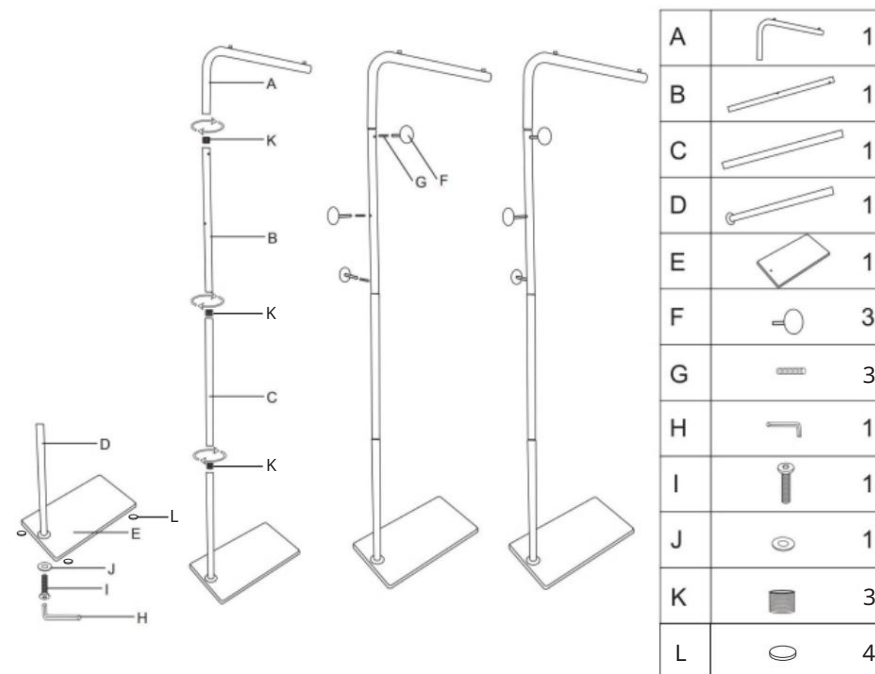
Apartament 250, 9166 Anaheim Place, Rancho Cucamonga, CA 91730

EC REP E-CrossStu GmbH
Mainzer Landstr.69,
60329 Frankfurt nad Menem.

UK REP YH CONSULTING LIMITED.
C/O YH Consulting Limited Biuro 147,
Centurion House, London Road,
Staines-upon-Thames, Surrey, TW18 4AX

To jest oryginalna instrukcja, przed rozpoczęciem użytkowania należy uważnie przeczytać wszystkie instrukcje. VEVOR zastrzega sobie prawo do jednoznacznej interpretacji naszej instrukcji obsługi. Pojawienie się - Jakość produktu będzie zależać od produktu, który otrzymałeś. Przepraszamy, że nie poinformujemy Cię ponownie, jeśli pojawią się jakiegokolwiek aktualizacje technologii lub oprogramowania w naszym produkcie.

Wyprodukowano w Chinach



Wskazówki:

1. Przed montażem należy sprawdzić wszystkie części zgodnie z listą części i upewnić się, że są kompletne.

2. Złóż produkt w prawidłowej kolejności, zgodnie z instrukcją.

OSTRZEŻENIE:

Przeczytaj ten materiał przed użyciem tego produktu. Nieprzestrzeganie tego może spowodować poważne obrażenia.



Porady:

1. Przed montażem należy sprawdzić wszystkie części zgodnie z listą części i upewnić się, że są kompletne.
2. Złóż produkt w prawidłowej kolejności, zgodnie z instrukcją.

OSTRZEŻENIE:

Przeczytaj ten materiał przed użyciem tego produktu. Nieprzestrzeganie tego może spowodować poważne obrażenia.

Środki ostrożności podczas montażu

1. Montaż należy wykonywać wyłącznie zgodnie z niniejszą instrukcją. Nieprawidłowy montaż może stwarzać zagrożenia.
2. Podczas montażu należy nosić okulary ochronne z atestem ANSI oraz wytrzymałe rękawice robocze.
3. Utrzymuj miejsce zgromadzenia w czystości i zapewnij dobre oświetlenie.
4. Podczas montażu nie dopuszczaj osób postronnych na teren montażu.
5. Nie przychodź na zgromadzenia, jeśli jesteś zmęczony lub pod wpływem alkoholu, narkotyków lub leków.
6. Możliwości produktu odnoszą się wyłącznie do produktów prawidłowo i kompletnie zmontowanych.
7. Aby uzyskać dodatkowe informacje dotyczące części wymienionych na kolejnych stronach, zapoznaj się ze schematem montażu w tym podręczniku. Rozpakuj i oddziel wszystkie części w czystym miejscu pracy.

Stosuj środki ostrożności

1. Nie używaj tego produktu do celów, które nie zostały wyraźnie określone przez producenta. Producent nie ponosi odpowiedzialności za uszkodzenia lub obrażenia spowodowane nieprawidłowym montażem lub użytkowaniem.
2. Przed każdym użyciem należy przeprowadzić kontrolę. Nie należy używać produktu, jeśli jakieś części są luźne lub uszkodzone.

ZAPISZ TE INSTRUKCJE

Producent: Shanghai muxinmuyeyouxiangongsi

Adres: Shuangchenglu 803nong11hao1602A-1609shi, Baoshanqu, Szanghaj 200000 CN.

Importowane do AUS: SIHAO PTY LTD.

1 ROKEVA STREET EASTWOOD NSW 2122 Australia

Importowane do USA: Sanven Technology Ltd.

Apartament 250, 9166 Anaheim Place, Rancho Cucamonga, CA 91730

EC REP E-CrossStu GmbH
Mainzer Landstr.69,
60329 Frankfurt nad Menem.

UK REP YH CONSULTING LIMITED.
C/O YH Consulting Limited Biuro 147,
Centurion House, London Road,
Staines-upon-Thames, Surrey, TW18 4AX

To jest oryginalna instrukcja, przed rozpoczęciem użytkowania należy uważnie przeczytać wszystkie instrukcje. VEVOR zastrzega sobie prawo do jednoznacznej interpretacji naszej instrukcji obsługi. Pojawienie się - Jakość produktu będzie zależeć od produktu, który otrzymałeś. Przepraszamy, że nie poinformujemy Cię ponownie, jeśli pojawią się jakiegokolwiek aktualizacje technologii lub oprogramowania w naszym produkcie.

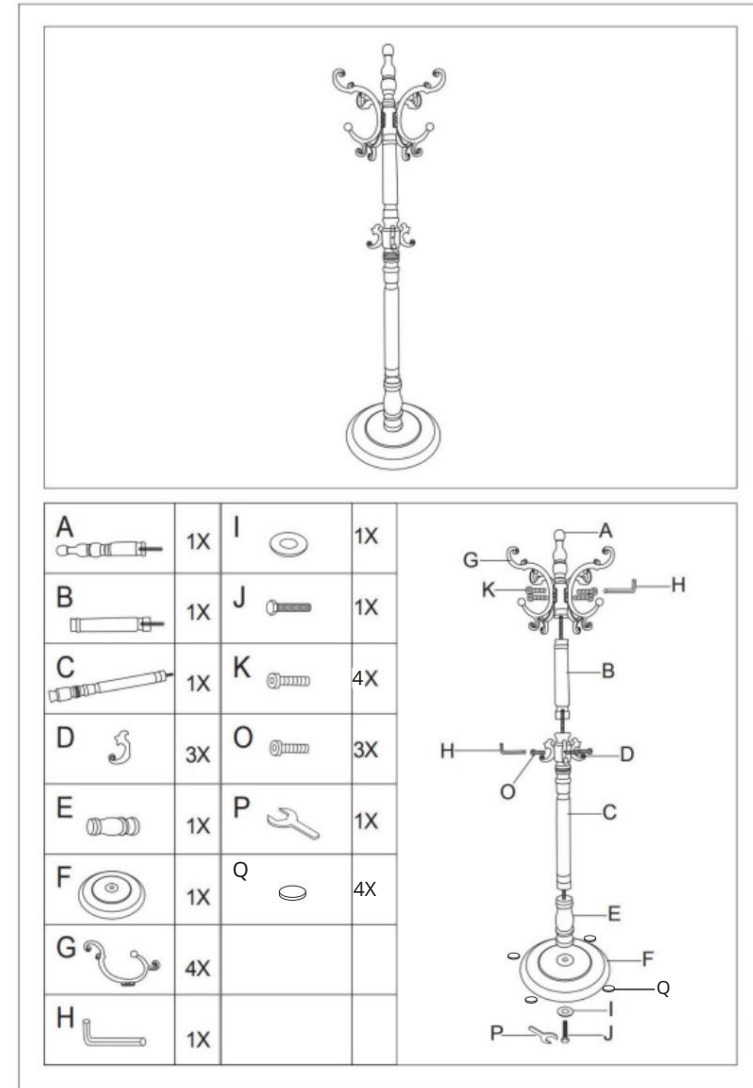
Wyprodukowano w Chinach

VEVOR

Affordable. Reliable. Home Improvement.

WIESZAK NA UBRANIA

Modele: M-52



OSTRZEŻENIE:

Przeczytaj ten materiał przed użyciem tego produktu. Nieprzestrzeganie tego może spowodować poważne obrażenia.

Środki ostrożności podczas montażu

1. Montaż należy wykonywać wyłącznie zgodnie z niniejszą instrukcją. Nieprawidłowy montaż może stwarzać zagrożenia.

2. Podczas montażu należy nosić okulary ochronne z atestem ANSI oraz wytrzymałe rękawice robocze.

3. Utrzymuj miejsce zgromadzenia w czystości i zapewnij dobre oświetlenie.

4. Podczas montażu nie dopuszczaj osób postronnych na teren montażu.

5. Nie przychodź na zgromadzenia, jeśli jesteś zmęczony lub pod wpływem alkoholu, narkotyków lub leków.

6. Możliwości produktu odnoszą się wyłącznie do produktów prawidłowo i kompletnie zmontowanych.

7. Aby uzyskać dodatkowe informacje dotyczące części wymienionych na kolejnych stronach, zapoznaj się ze schematem montażu w tym podręczniku. Rozpakuj i oddziel wszystkie części w czystym miejscu pracy.

Stosuj środki ostrożności

1. Nie używaj tego produktu do celów, które nie zostały wyraźnie określone przez producenta. Producent nie ponosi odpowiedzialności za uszkodzenia lub obrażenia spowodowane nieprawidłowym montażem lub użytkowaniem.

2. Przed każdym użyciem należy przeprowadzić kontrolę. Nie należy używać produktu, jeśli jakieś części są luźne lub uszkodzone.

ZAPISZ TE INSTRUKCJE

Producent: Shanghai muxinmuyeyouxiangongsi

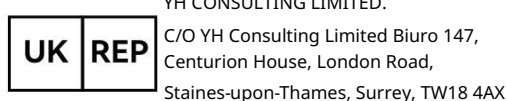
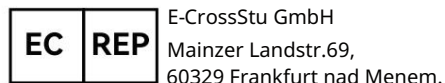
Adres: Shuangchenglu 803nong11hao1602A-1609shi, Baoshanqu, Szanghaj 200000 CN.

Importowane do AUS: SIHAO PTY LTD.

1 ROKEVA STREETEASTWOOD NSW 2122 Australia

Importowane do USA: Sanven Technology Ltd.

Apartament 250, 9166 Anaheim Place, Rancho Cucamonga, CA 91730



To jest oryginalna instrukcja, przed rozpoczęciem użytkowania należy uważnie przeczytać wszystkie instrukcje. VEVOR zastrzega sobie prawo do jednoznacznej interpretacji naszej instrukcji obsługi. Pojawienie się - Jakość produktu będzie zależać od produktu, który otrzymałeś. Przepraszamy, że nie poinformujemy Cię ponownie, jeśli pojawią się jakiegokolwiek aktualizacje technologii lub oprogramowania w naszym produkcie.

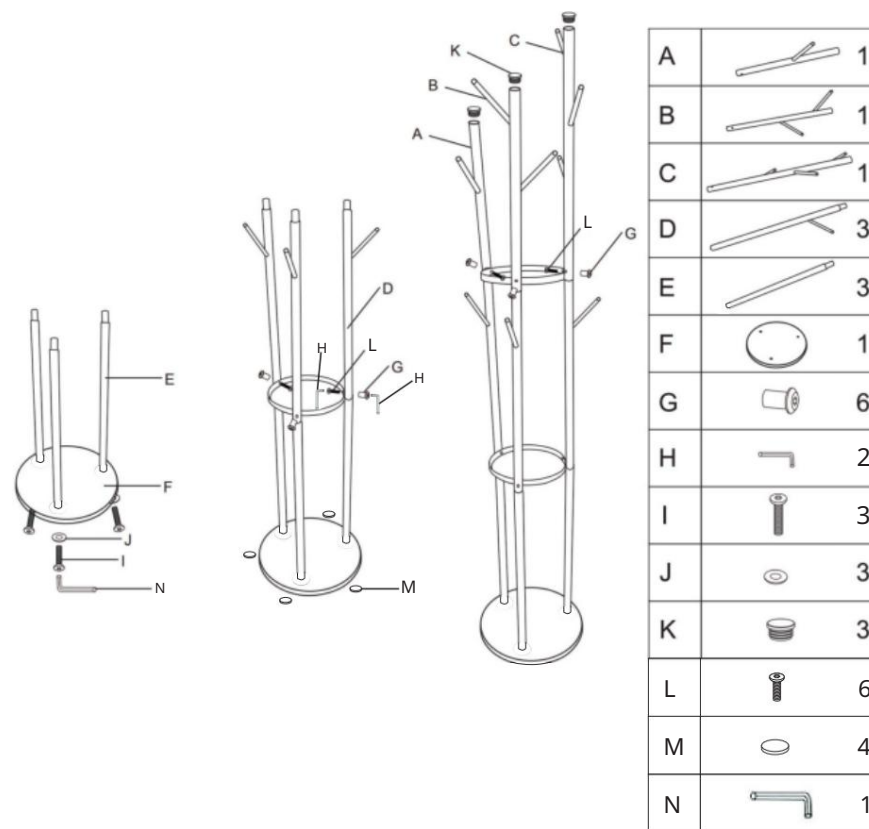
Wyprodukowano w Chinach

VEVOR

Affordable. Reliable. Home Improvement.

WIESZAK NA UBRANIA

Modele: GH-620



Porady:

1. Przed montażem należy sprawdzić wszystkie części zgodnie z listą części i upewnić się, że są kompletne.
2. Złóż produkt w prawidłowej kolejności, zgodnie z instrukcją.



Porady:

1. Przed montażem należy sprawdzić wszystkie części zgodnie z listą części i upewnić się, że są kompletne.

2. Złóż produkt w prawidłowej kolejności, zgodnie z instrukcją.

OSTRZEŻENIE:

Przeczytaj ten materiał przed użyciem tego produktu. Nieprzestrzeganie tego może spowodować poważne obrażenia.

Środki ostrożności podczas montażu

1. Montaż należy wykonywać wyłącznie zgodnie z niniejszą instrukcją. Nieprawidłowy montaż może stwarzać zagrożenia.

2. Podczas montażu należy nosić okulary ochronne z atestem ANSI oraz wytrzymałe rękawice robocze.

3. Utrzymuj miejsce zgromadzenia w czystości i zapewnij dobre oświetlenie.

4. Podczas montażu nie dopuszczaj osób postronnych na teren montażu.

5. Nie przychodź na zgromadzenia, jeśli jesteś zmęczony lub pod wpływem alkoholu, narkotyków lub leków.

6. Możliwości produktu odnoszą się wyłącznie do produktów prawidłowo i kompletnie zmontowanych.

7. Aby uzyskać dodatkowe informacje dotyczące części wymienionych na kolejnych stronach, zapoznaj się ze schematem montażu w tym podręczniku. Rozpakuj i oddziel wszystkie części w czystym miejscu pracy.

Stosuj środki ostrożności

1. Nie używaj tego produktu do celów, które nie zostały wyraźnie określone przez producenta. Producent nie ponosi odpowiedzialności za uszkodzenia lub obrażenia spowodowane nieprawidłowym montażem lub użytkowaniem.

2. Przed każdym użyciem należy przeprowadzić kontrolę. Nie należy używać produktu, jeśli jakieś części są luźne lub uszkodzone.

ZAPISZ TE INSTRUKCJE

Producent: Shanghaimuxinmuyeyouxiangongsi

Adres: Shuangchenglu 803nong11hao1602A-1609shi, Baoshanqu, Szanghaj 200000 CN.

Importowane do AUS: SIHAO PTY LTD.

1 ROKEVA STREETEASTWOOD NSW 2122 Australia

Importowane do USA: Sanven Technology Ltd.

Apartament 250, 9166 Anaheim Place, Rancho Cucamonga, CA 91730

EC REP E-CrossStu GmbH
Mainzer Landstr.69,
60329 Frankfurt nad Menem.

UK REP YH CONSULTING LIMITED.
C/O YH Consulting Limited Biuro 147,
Centurion House, London Road,
Staines-upon-Thames, Surrey, TW18 4AX

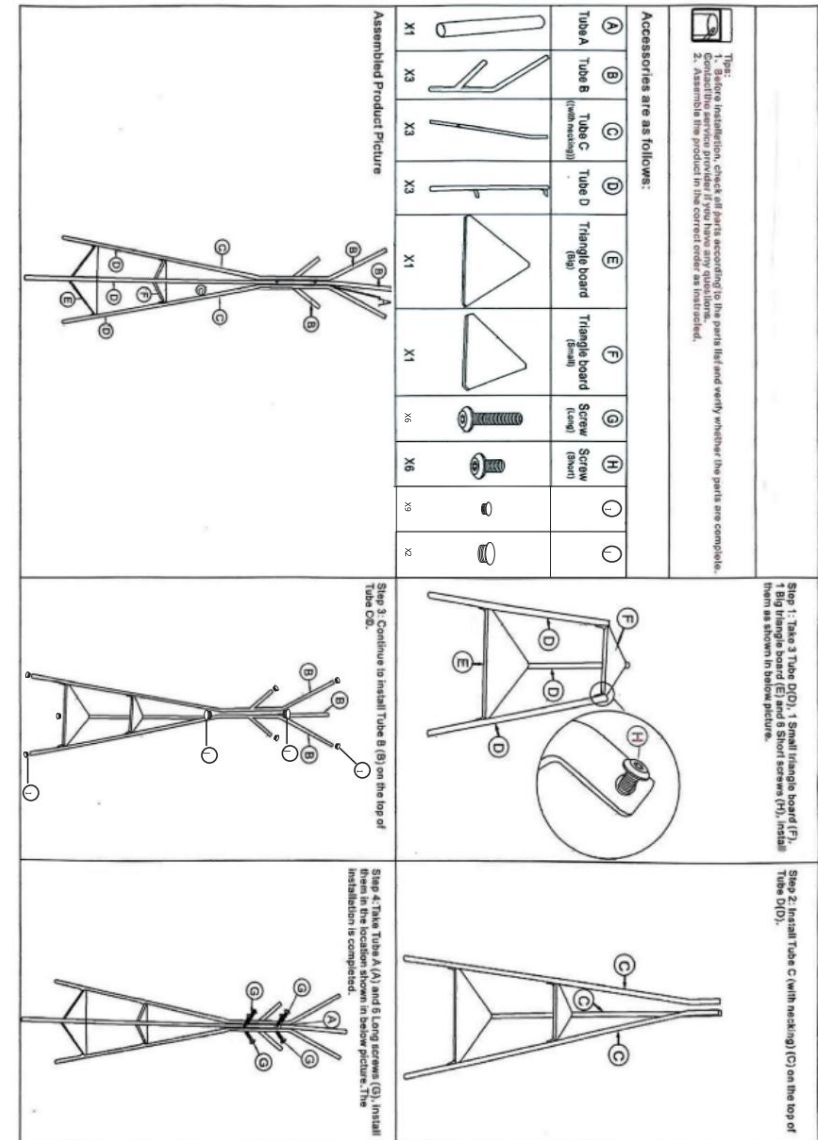
To jest oryginalna instrukcja, przed rozpoczęciem użytkowania należy uważnie przeczytać wszystkie instrukcje. VEVOR zastrzega sobie prawo do jednoznacznej interpretacji naszej instrukcji obsługi. Pojawienie się - Jakość produktu będzie zależeć od produktu, który otrzymałeś. Przepraszamy, że nie poinformujemy Cię ponownie, jeśli pojawią się jakiegokolwiek aktualizacje technologii lub oprogramowania w naszym produkcie.

Wyprodukowano w Chinach

VEVOR

Affordable. Reliable. Home Improvement.

WIESZAK NA UBRANIA Model: GH-309



WARNUNG:

Lesen Sie dieses Material, bevor Sie dieses Produkt verwenden. Andernfalls kann es zu schweren Verletzungen kommen.

Vorsichtsmaßnahmen bei der Montage

1. Führen Sie die Montage ausschließlich gemäß dieser Anleitung durch. Eine unsachgemäße Montage kann zu Gefahren führen.
2. Tragen Sie während der Montage eine ANSI-geprüfte Schutzbrille und strapazierfähige Arbeitshandschuhe.
3. Halten Sie den Versammlungsbereich sauber und gut beleuchtet.
4. Halten Sie während der Montage unbeteiligte Personen vom Bereich fern.
5. Nicht zusammenbauen, wenn Sie müde sind oder unter dem Einfluss von Alkohol, Drogen oder Medikamenten stehen.
6. Die Produkteigenschaften gelten nur für ordnungsgemäß und vollständig montierte Produkte.
7. Weitere Informationen zu den auf den folgenden Seiten aufgeführten Teilen finden Sie im Montagediagramm dieses Handbuchs. Packen Sie alle Teile an einem sauberen Arbeitsplatz aus und trennen Sie sie voneinander.

Vorsichtsmaßnahmen treffen

1. Verwenden Sie dieses Produkt nicht für Zwecke, die nicht ausdrücklich vom Hersteller angegeben sind. Der Hersteller haftet nicht für Schäden oder Verletzungen, die durch unsachgemäße Montage oder Verwendung entstehen.
2. Vor jedem Gebrauch prüfen; nicht verwenden, wenn Teile lose oder beschädigt sind.

BEWAHREN SIE DIESE ANWEISUNGEN AUF

Hersteller: Shanghaimuxinmuyeyouxiangongsi

Adresse: Shuangchenglu 803nong11hao1602A-1609shi, Baoshanqu, Shanghai 200000 CN.

Nach AUS importiert: SIHAO PTY LTD.

1 ROKEVA STREETEASTWOOD NSW 2122 Australien

In die USA importiert: Sanven Technology Ltd.

Suite 250, 9166 Anaheim Place, Rancho Cucamonga, CA 91730

EC REP E-CrossStu GmbH
Mainzer Landstr.69,
60329 Frankfurt am Main.

UK REP YH CONSULTING LIMITED.
C/O YH Consulting Limited Oce 147,
Centurion House, London Road,
Staines-upon-Thames, Surrey, TW18 4AX

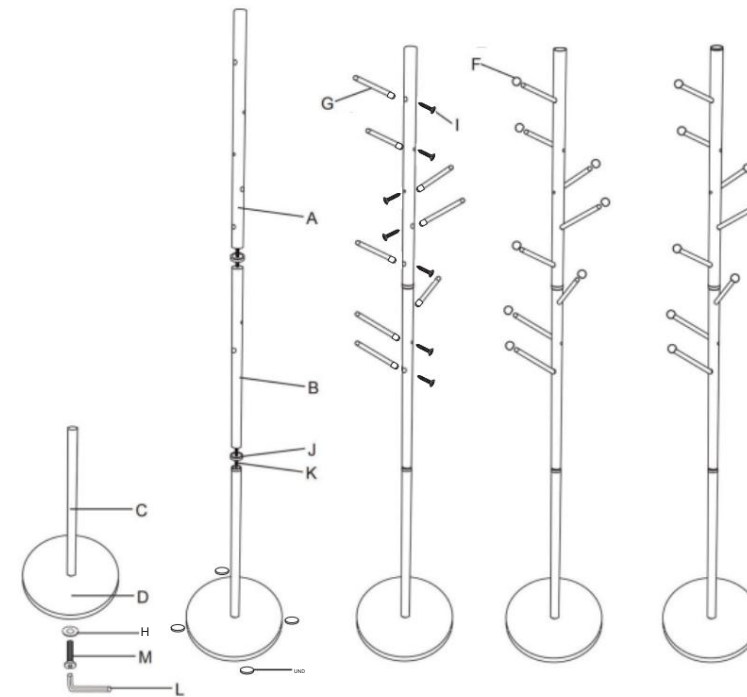
Dies ist die Originalanleitung. Bitte lesen Sie alle Anweisungen sorgfältig durch, bevor Sie das Gerät in Betrieb nehmen. VEVOR behält sich eine klare Auslegung unserer Bedienungsanleitung vor. Die angezeigten – Die Gewährleistung für das Produkt richtet sich nach dem von Ihnen erhaltenen Produkt. Bitte haben Sie Verständnis dafür, dass wir Sie nicht erneut über Technologie- oder Software-Updates für unser Produkt informieren. **In China hergestellt**














VEVOR

Affordable. Reliable. Home Improvement.

KLEIDERABLAGE

Modell: GH-L618



A		1
B		1
C		1
D		1
E		4
F		8
G		8
H		1
I		8
J		2
K		2
L		1
M		1

Tipps:

1. Prüfen Sie vor der Montage alle Teile anhand der Stückliste und kontrollieren Sie, ob die Teile vollständig sind.
2. Bauen Sie das Produkt gemäß Anleitung in der richtigen Reihenfolge zusammen.



WARNUNG:

Lesen Sie dieses Material, bevor Sie dieses Produkt verwenden. Andernfalls kann es zu schweren Verletzungen kommen.

Vorsichtsmaßnahmen bei der Montage

1. Führen Sie die Montage ausschließlich gemäß dieser Anleitung durch. Eine unsachgemäße Montage kann zu Gefahren führen.
2. Tragen Sie während der Montage eine ANSI-geprüfte Schutzbrille und strapazierfähige Arbeitshandschuhe.
3. Halten Sie den Versammlungsbereich sauber und gut beleuchtet.
4. Halten Sie während der Montage unbeteiligte Personen vom Bereich fern.
5. Nicht zusammenbauen, wenn Sie müde sind oder unter dem Einfluss von Alkohol, Drogen oder Medikamenten stehen.
6. Die Produkteigenschaften gelten nur für ordnungsgemäß und vollständig montierte Produkte.
7. Weitere Informationen zu den auf den folgenden Seiten aufgeführten Teilen finden Sie im Montagediagramm dieses Handbuchs. Packen Sie alle Teile an einem sauberen Arbeitsplatz aus und trennen Sie sie voneinander.

Vorsichtsmaßnahmen treffen

1. Verwenden Sie dieses Produkt nicht für Zwecke, die nicht ausdrücklich vom Hersteller angegeben sind. Der Hersteller haftet nicht für Schäden oder Verletzungen, die durch unsachgemäße Montage oder Verwendung entstehen.
2. Vor jedem Gebrauch prüfen; nicht verwenden, wenn Teile lose oder beschädigt sind.

BEWAHREN SIE DIESE ANWEISUNGEN AUF

Hersteller: Shanghai muxinmuyeyouxiangongsi

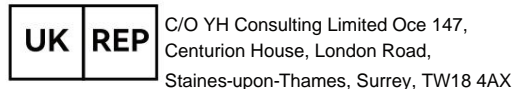
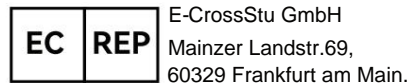
Adresse: Shuangchenglu 803nong11hao1602A-1609shi, Baoshanqu, Shanghai 200000 CN.

Nach AUS importiert: SIHAO PTY LTD.

1 ROKEVA STREET EASTWOOD NSW 2122 Australien

In die USA importiert: Sanven Technology Ltd.

Suite 250, 9166 Anaheim Place, Rancho Cucamonga, CA 91730



Dies ist die Originalanleitung. Bitte lesen Sie alle Anweisungen sorgfältig durch, bevor Sie das Gerät in Betrieb nehmen. VEVOR behält sich eine klare Auslegung unserer Bedienungsanleitung vor. Die angezeigten –

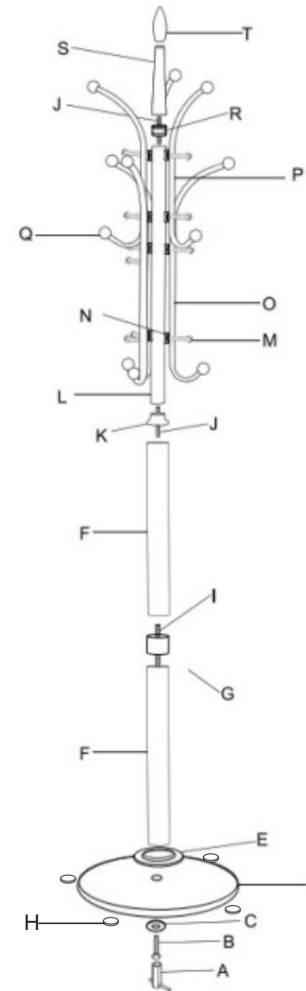
Die Gewährleistung für das Produkt richtet sich nach dem von Ihnen erhaltenen Produkt. Bitte haben Sie Verständnis dafür, dass wir Sie nicht erneut über Technologie- oder Software-Updates für unser Produkt informieren. **In China hergestellt**

Artikelnummer1:GH-6206S

VEVOR

Affordable. Reliable. Home Improvement.

Modell: GH-6206s



A		1
B		1
C		1
D		1
E		1
F		2
G		1
H		4
I		1
J		2
K		1
L		1
M		12
N		12
O		3
P		3
Q		12
R		1
S		1
T		1

Tipps:

1. Prüfen Sie vor der Montage alle Teile anhand der Stückliste und kontrollieren Sie, ob die Teile vollständig sind.
2. Bauen Sie das Produkt gemäß Anleitung in der richtigen Reihenfolge zusammen.



- Tipps:
1. Prüfen Sie vor der Montage alle Teile anhand der Stückliste und kontrollieren Sie, ob die Teile vollständig sind.
 2. Bauen Sie das Produkt gemäß Anleitung in der richtigen Reihenfolge zusammen.

WARNUNG:

Lesen Sie dieses Material, bevor Sie dieses Produkt verwenden. Andernfalls kann es zu schweren Verletzungen kommen.

Vorsichtsmaßnahmen bei der Montage

1. Führen Sie die Montage ausschließlich gemäß dieser Anleitung durch. Eine unsachgemäße Montage kann zu Gefahren führen.
2. Tragen Sie während der Montage eine ANSI-geprüfte Schutzbrille und strapazierfähige Arbeitshandschuhe.
3. Halten Sie den Versammlungsbereich sauber und gut beleuchtet.
4. Halten Sie während der Montage unbeteiligte Personen vom Bereich fern.
5. Nicht zusammenbauen, wenn Sie müde sind oder unter dem Einfluss von Alkohol, Drogen oder Medikamenten stehen.
6. Die Produkteigenschaften gelten nur für ordnungsgemäß und vollständig montierte Produkte.
7. Weitere Informationen zu den auf den folgenden Seiten aufgeführten Teilen finden Sie im Montagediagramm dieses Handbuchs. Packen Sie alle Teile an einem sauberen Arbeitsplatz aus und trennen Sie sie voneinander.

Vorsichtsmaßnahmen treffen

1. Verwenden Sie dieses Produkt nicht für Zwecke, die nicht ausdrücklich vom Hersteller angegeben sind. Der Hersteller haftet nicht für Schäden oder Verletzungen, die durch unsachgemäße Montage oder Verwendung entstehen.
2. Vor jedem Gebrauch prüfen; nicht verwenden, wenn Teile lose oder beschädigt sind.

BEWAHREN SIE DIESE ANWEISUNGEN AUF

Hersteller: Shanghaimuxinmuyeyouxiangongsi
 Adresse: Shuangchenglu 803nong11hao1602A-1609shi, Baoshanqu, Shanghai 200000 CN.
 Nach AUS importiert: SIHAO PTY LTD.
 1 ROKEVA STREETEASTWOOD NSW 2122 Australien
 In die USA importiert: Sanven Technology Ltd.
 Suite 250, 9166 Anaheim Place, Rancho Cucamonga, CA 91730

EC REP E-CrossStu GmbH
 Mainzer Landstr.69,
 60329 Frankfurt am Main.

UK REP YH CONSULTING LIMITED.
 C/O YH Consulting Limited Oce 147,
 Centurion House, London Road,
 Staines-upon-Thames, Surrey, TW18 4AX

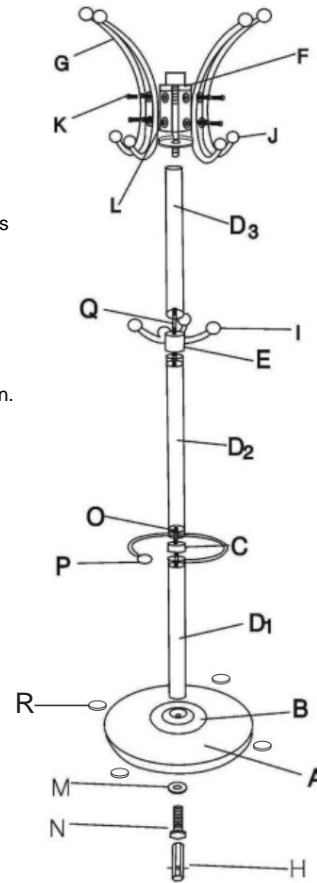
Dies ist die Originalanleitung. Bitte lesen Sie alle Anweisungen sorgfältig durch, bevor Sie das Gerät in Betrieb nehmen. VEVOR behält sich eine klare Auslegung unserer Bedienungsanleitung vor. Die angezeigten Die Gewährleistung für das Produkt richtet sich nach dem von Ihnen erhaltenen Produkt. Bitte haben Sie Verständnis dafür, dass wir Sie nicht erneut über Technologie- oder Software-Updates für unser Produkt informieren. **In China hergestellt**

VEVOR

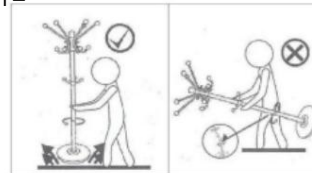
Affordable. Reliable. Home Improvement.

KLEIDERABLAGE

Modell: GH-8617



A		1
B		1
C		1
D		3
E		1
F		1
G		5
H		1
I		4
J		10
K		10
L		10
M		1
N		1
O		1
P		1
Q		1
R		4



VEVOR

Affordable. Reliable. Home Improvement.

KLEIDERABLAGE

Modell: GH-L619

Vorsichtsmaßnahmen bei der Montage

1. Führen Sie die Montage ausschließlich gemäß dieser Anleitung durch. Eine unsachgemäße Montage kann zu Gefahren führen.
2. Tragen Sie während der Montage eine ANSI-geprüfte Schutzbrille und strapazierfähige Arbeitshandschuhe.
3. Halten Sie den Versammlungsbereich sauber und gut beleuchtet.
4. Halten Sie während der Montage unbeteiligte Personen vom Bereich fern.
5. Nicht zusammenbauen, wenn Sie müde sind oder unter dem Einfluss von Alkohol, Drogen oder Medikamenten stehen.
6. Die Produkteigenschaften gelten nur für ordnungsgemäß und vollständig montierte Produkte.
7. Weitere Informationen zu den auf den folgenden Seiten aufgeführten Teilen finden Sie im Montagediagramm dieses Handbuchs. Packen Sie alle Teile an einem sauberen Arbeitsplatz aus und trennen Sie sie voneinander.

Vorsichtsmaßnahmen treffen

1. Verwenden Sie dieses Produkt nicht für Zwecke, die nicht ausdrücklich vom Hersteller angegeben sind. Der Hersteller haftet nicht für Schäden oder Verletzungen, die durch unsachgemäße Montage oder Verwendung entstehen.
2. Vor jedem Gebrauch prüfen; nicht verwenden, wenn Teile lose oder beschädigt sind.

BEWAHREN SIE DIESE ANWEISUNGEN AUF

Hersteller: Shanghaimuxinmuyeyouxiangongsi

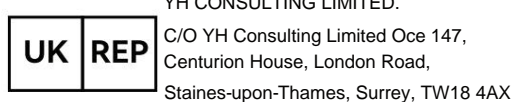
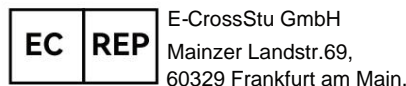
Adresse: Shuangchenglu 803nong11hao1602A-1609shi, Baoshanqu, Shanghai 200000 CN.

Nach AUS importiert: SIHAO PTY LTD.

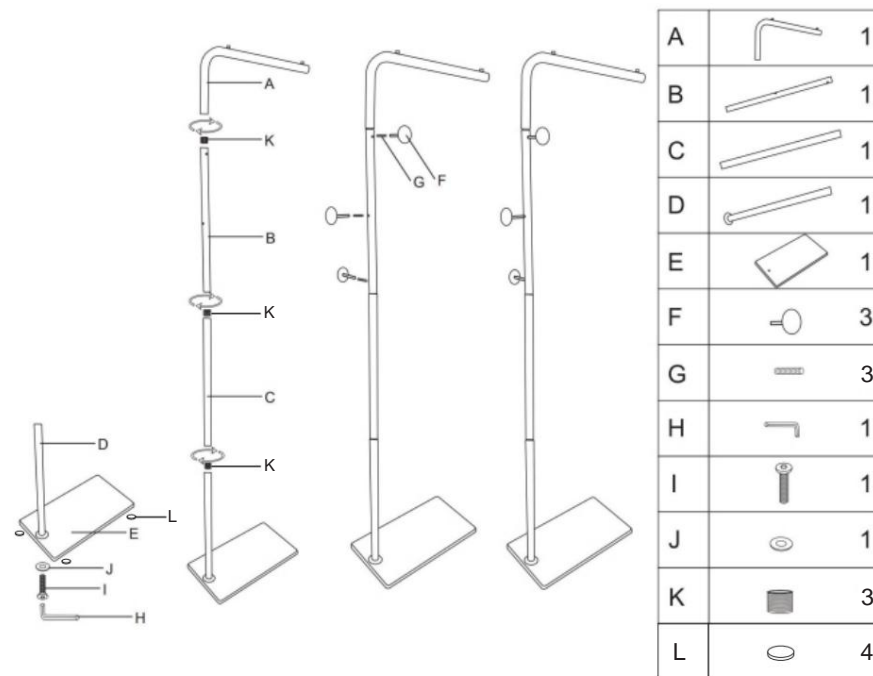
1 ROKEVA STREETEASTWOOD NSW 2122 Australien

In die USA importiert: Sanven Technology Ltd.

Suite 250, 9166 Anaheim Place, Rancho Cucamonga, CA 91730



Dies ist die Originalanleitung. Bitte lesen Sie alle Anweisungen sorgfältig durch, bevor Sie das Gerät in Betrieb nehmen. VEVOR behält sich eine klare Auslegung unserer Bedienungsanleitung vor. Die angezeigten – Die Gewährleistung für das Produkt richtet sich nach dem von Ihnen erhaltenen Produkt. Bitte haben Sie Verständnis dafür, dass wir Sie nicht erneut über Technologie- oder Software-Updates für unser Produkt informieren. **In China hergestellt**



Tipps:

1. Prüfen Sie vor der Montage alle Teile anhand der Stückliste und kontrollieren Sie, ob die Teile vollständig sind.

2. Bauen Sie das Produkt gemäß Anleitung in der richtigen Reihenfolge zusammen.

WARNUNG:

Lesen Sie dieses Material, bevor Sie dieses Produkt verwenden. Andernfalls kann es zu schweren Verletzungen kommen.



Tipps:

1. Prüfen Sie vor der Montage alle Teile anhand der Stückliste und kontrollieren Sie, ob die Teile vollständig sind.
2. Bauen Sie das Produkt gemäß Anleitung in der richtigen Reihenfolge zusammen.

WARNUNG:

Lesen Sie dieses Material, bevor Sie dieses Produkt verwenden. Andernfalls kann es zu schweren Verletzungen kommen.

Vorsichtsmaßnahmen bei der Montage

1. Führen Sie die Montage ausschließlich gemäß dieser Anleitung durch. Eine unsachgemäße Montage kann zu Gefahren führen.
2. Tragen Sie während der Montage eine ANSI-geprüfte Schutzbrille und strapazierfähige Arbeitshandschuhe.
3. Halten Sie den Versammlungsbereich sauber und gut beleuchtet.
4. Halten Sie während der Montage unbeteiligte Personen vom Bereich fern.
5. Nicht zusammenbauen, wenn Sie müde sind oder unter dem Einfluss von Alkohol, Drogen oder Medikamenten stehen.
6. Die Produkteigenschaften gelten nur für ordnungsgemäß und vollständig montierte Produkte.
7. Weitere Informationen zu den auf den folgenden Seiten aufgeführten Teilen finden Sie im Montagediagramm dieses Handbuchs. Packen Sie alle Teile an einem sauberen Arbeitsplatz aus und trennen Sie sie voneinander.

Vorsichtsmaßnahmen treffen

1. Verwenden Sie dieses Produkt nicht für Zwecke, die nicht ausdrücklich vom Hersteller angegeben sind. Der Hersteller haftet nicht für Schäden oder Verletzungen, die durch unsachgemäße Montage oder Verwendung entstehen.
2. Vor jedem Gebrauch prüfen; nicht verwenden, wenn Teile lose oder beschädigt sind.

BEWAHREN SIE DIESE ANWEISUNGEN AUF

Hersteller: Shanghaimuxinmuyeyouxiangongsi
 Adresse: Shuangchenglu 803nong11hao1602A-1609shi, Baoshanqu, Shanghai 200000 CN.
 Nach AUS importiert: SIHAO PTY LTD.
 1 ROKEVA STREETEASTWOOD NSW 2122 Australien
 In die USA importiert: Sanven Technology Ltd.
 Suite 250, 9166 Anaheim Place, Rancho Cucamonga, CA 91730

EC	REP	E-CrossStu GmbH Mainzer Landstr.69, 60329 Frankfurt am Main.
-----------	------------	--

UK	REP	YH CONSULTING LIMITED. C/O YH Consulting Limited Oce 147, Centurion House, London Road, Staines-upon-Thames, Surrey, TW18 4AX
-----------	------------	--


Dies ist die Originalanleitung. Bitte lesen Sie alle Anweisungen sorgfältig durch, bevor Sie das Gerät in Betrieb nehmen. VEVOR behält sich eine klare Auslegung unserer Bedienungsanleitung vor. Die angezeigten – Die Gewährleistung für das Produkt richtet sich nach dem von Ihnen erhaltenen Produkt. Bitte haben Sie Verständnis dafür, dass wir Sie nicht erneut über Technologie- oder Software-Updates für unser Produkt informieren. **In China hergestellt**







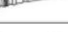







VEVOR

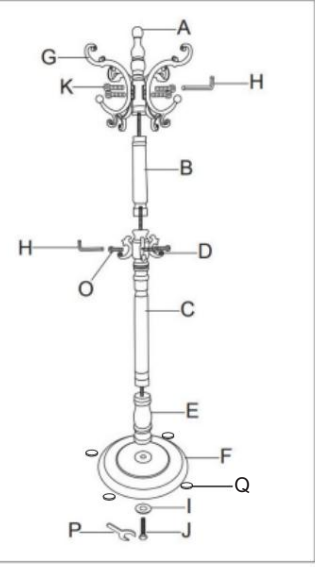
Affordable. Reliable. Home Improvement.

KLEIDERABLAGE

Modell: M-52



A		1X	I		1X
B		1X	J		1X
C		1X	K		4X
D		3X	O		3X
E		1X	P		1X
F		1X	Q		4X
G		4X			
H		1X			




WARNUNG:

Lesen Sie dieses Material, bevor Sie dieses Produkt verwenden. Andernfalls kann es zu schweren Verletzungen kommen.

Vorsichtsmaßnahmen bei der Montage

1. Führen Sie die Montage ausschließlich gemäß dieser Anleitung durch. Eine unsachgemäße Montage kann zu Gefahren führen.
2. Tragen Sie während der Montage eine ANSI-geprüfte Schutzbrille und strapazierfähige Arbeitshandschuhe.
3. Halten Sie den Versammlungsbereich sauber und gut beleuchtet.
4. Halten Sie während der Montage unbeteiligte Personen vom Bereich fern.
5. Nicht zusammenbauen, wenn Sie müde sind oder unter dem Einfluss von Alkohol, Drogen oder Medikamenten stehen.
6. Die Produkteigenschaften gelten nur für ordnungsgemäß und vollständig montierte Produkte.
7. Weitere Informationen zu den auf den folgenden Seiten aufgeführten Teilen finden Sie im Montagediagramm dieses Handbuchs. Packen Sie alle Teile an einem sauberen Arbeitsplatz aus und trennen Sie sie voneinander.

Vorsichtsmaßnahmen treffen

1. Verwenden Sie dieses Produkt nicht für Zwecke, die nicht ausdrücklich vom Hersteller angegeben sind. Der Hersteller haftet nicht für Schäden oder Verletzungen, die durch unsachgemäße Montage oder Verwendung entstehen.
2. Vor jedem Gebrauch prüfen; nicht verwenden, wenn Teile lose oder beschädigt sind.

BEWAHREN SIE DIESE ANWEISUNGEN AUF

Hersteller: Shanghai muxinmuyeyouxiangongsi

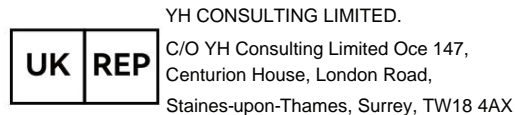
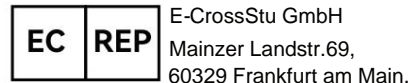
Adresse: Shuangchenglu 803nong11hao1602A-1609shi, Baoshanqu, Shanghai 200000 CN.

Nach AUS importiert: SIHAO PTY LTD.

1 ROKEVA STREET EASTWOOD NSW 2122 Australien

In die USA importiert: Sanven Technology Ltd.

Suite 250, 9166 Anaheim Place, Rancho Cucamonga, CA 91730



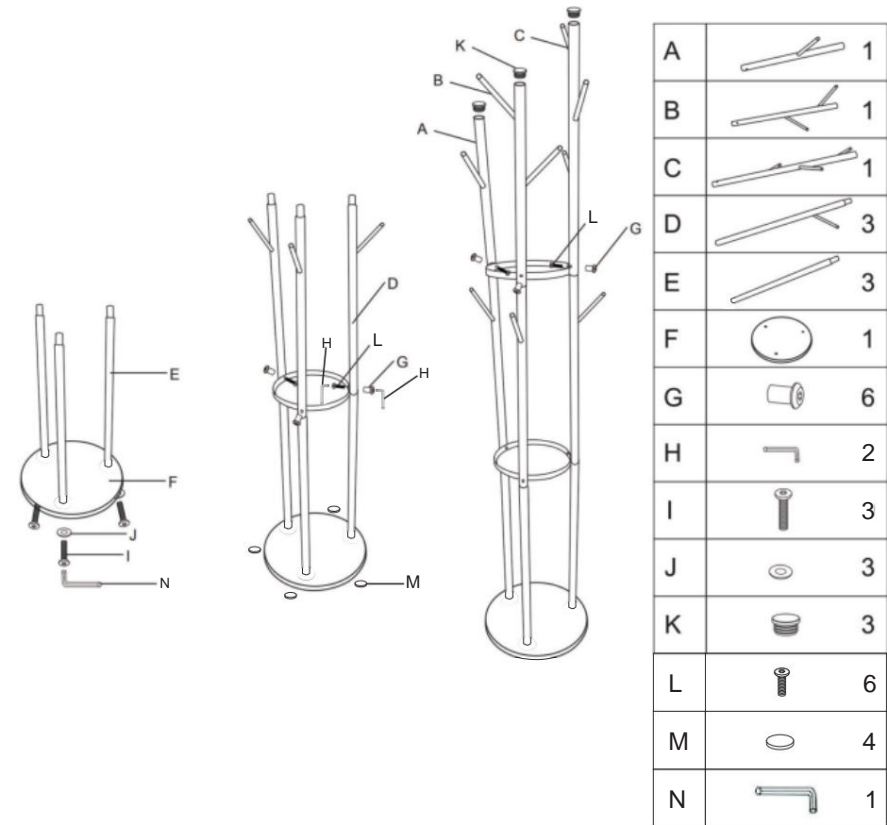
Dies ist die Originalanleitung. Bitte lesen Sie alle Anweisungen sorgfältig durch, bevor Sie das Gerät in Betrieb nehmen. VEVOR behält sich eine klare Auslegung unserer Bedienungsanleitung vor. Die angezeigten – Die Gewährleistung für das Produkt richtet sich nach dem von Ihnen erhaltenen Produkt. Bitte haben Sie Verständnis dafür, dass wir Sie nicht erneut über Technologie- oder Software-Updates für unser Produkt informieren. **In China hergestellt**

VEVOR

Affordable. Reliable. Home Improvement.

KLEIDERABLAGE

Modell: GH-620



Tipps:

1. Prüfen Sie vor der Montage alle Teile anhand der Stückliste und kontrollieren Sie, ob die Teile vollständig sind.
2. Bauen Sie das Produkt gemäß Anleitung in der richtigen Reihenfolge zusammen.



Tipps:

1. Prüfen Sie vor der Montage alle Teile anhand der Stückliste und kontrollieren Sie, ob die Teile vollständig sind.
2. Bauen Sie das Produkt gemäß Anleitung in der richtigen Reihenfolge zusammen.

WARNUNG:

Lesen Sie dieses Material, bevor Sie dieses Produkt verwenden. Andernfalls kann es zu schweren Verletzungen kommen.

Vorsichtsmaßnahmen bei der Montage

1. Führen Sie die Montage ausschließlich gemäß dieser Anleitung durch. Eine unsachgemäße Montage kann zu Gefahren führen.
2. Tragen Sie während der Montage eine ANSI-geprüfte Schutzbrille und strapazierfähige Arbeitshandschuhe.
3. Halten Sie den Versammlungsbereich sauber und gut beleuchtet.
4. Halten Sie während der Montage unbeteiligte Personen vom Bereich fern.
5. Nicht zusammenbauen, wenn Sie müde sind oder unter dem Einfluss von Alkohol, Drogen oder Medikamenten stehen.
6. Die Produkteigenschaften gelten nur für ordnungsgemäß und vollständig montierte Produkte.
7. Weitere Informationen zu den auf den folgenden Seiten aufgeführten Teilen finden Sie im Montagediagramm dieses Handbuchs. Packen Sie alle Teile an einem sauberen Arbeitsplatz aus und trennen Sie sie voneinander.

Vorsichtsmaßnahmen treffen

1. Verwenden Sie dieses Produkt nicht für Zwecke, die nicht ausdrücklich vom Hersteller angegeben sind. Der Hersteller haftet nicht für Schäden oder Verletzungen, die durch unsachgemäße Montage oder Verwendung entstehen.
2. Vor jedem Gebrauch prüfen; nicht verwenden, wenn Teile lose oder beschädigt sind.

BEWAHREN SIE DIESE ANWEISUNGEN AUF

Hersteller: Shanghai muxinmuyeyouxiangongsi
 Adresse: Shuangchenglu 803nong11hao1602A-1609shi, Baoshanqu, Shanghai 200000 CN.
 Nach AUS importiert: SIHAO PTY LTD.
 1 ROKEVA STREET EASTWOOD NSW 2122 Australien
 In die USA importiert: Sanven Technology Ltd.
 Suite 250, 9166 Anaheim Place, Rancho Cucamonga, CA 91730

EC REP E-CrossStu GmbH
 Mainzer Landstr.69,
 60329 Frankfurt am Main.

UK REP YH CONSULTING LIMITED.
 C/O YH Consulting Limited Oce 147,
 Centurion House, London Road,
 Staines-upon-Thames, Surrey, TW18 4AX

Dies ist die Originalanleitung. Bitte lesen Sie alle Anweisungen sorgfältig durch, bevor Sie das Gerät in Betrieb nehmen. VEVOR behält sich eine klare Auslegung unserer Bedienungsanleitung vor. Die angezeigten – Die Gewährleistung für das Produkt richtet sich nach dem von Ihnen erhaltenen Produkt. Bitte haben Sie Verständnis dafür, dass wir Sie nicht erneut über Technologie- oder Software-Updates für unser Produkt informieren. **In China hergestellt**

VEVOR

Affordable. Reliable. Home Improvement.

GARDEROBENSTÄNDER Modell: GH-309

<p>Accessories are as follows:</p> <table border="1"> <tr> <td>(A)</td> <td>Tube A</td> <td>(B)</td> <td>Tube B (with marking)</td> <td>(C)</td> <td>Tube C</td> <td>(D)</td> <td>Tube D</td> <td>(E)</td> <td>Triangle board (top)</td> <td>(F)</td> <td>Triangle board (left)</td> <td>(G)</td> <td>Screw (long)</td> <td>(H)</td> <td>Screw (short)</td> <td>(I)</td> <td></td> <td>(J)</td> <td></td> </tr> <tr> <td>X1</td> <td></td> <td>X3</td> <td></td> <td>X3</td> <td></td> <td>X3</td> <td></td> <td>X1</td> <td></td> <td>X1</td> <td></td> <td>X6</td> <td></td> <td>X6</td> <td></td> <td>X6</td> <td></td> <td>X2</td> <td></td> </tr> </table>		(A)	Tube A	(B)	Tube B (with marking)	(C)	Tube C	(D)	Tube D	(E)	Triangle board (top)	(F)	Triangle board (left)	(G)	Screw (long)	(H)	Screw (short)	(I)		(J)		X1		X3		X3		X3		X1		X1		X6		X6		X6		X2		<p>Tip: 1. Before installation, check all parts according to the parts list and verify whether the parts are complete. Contact the service provider if you have any questions. 2. Assemble the product in the correct order as instructed.</p>	
(A)	Tube A	(B)	Tube B (with marking)	(C)	Tube C	(D)	Tube D	(E)	Triangle board (top)	(F)	Triangle board (left)	(G)	Screw (long)	(H)	Screw (short)	(I)		(J)																									
X1		X3		X3		X3		X1		X1		X6		X6		X6		X2																									
<p>Assembled Product Picture</p>		<p>Step 1: Take 3 Tube (D), 1 Small Triangle board (E), 1 Triangle board (left) (F) and 6 Short screws (H) install them as shown in below picture.</p>																																									
<p>Step 3: Continue to install Tube B (B) on the top of Tube (D).</p>		<p>Step 2: Install Tube C (with marking) (C) on the top of Tube (D).</p>																																									
<p>Step 4: Take Tube A (A) and 6 Long screws (G) install them in the bottom. Now the installation is completed.</p>																																											



AVERTISSEMENT:

Veuillez lire attentivement ce document avant d'utiliser ce produit. Le non-respect de ces instructions peut entraîner des blessures graves.

Précautions de montage

1. Assemblez uniquement en suivant ces instructions. Un assemblage incorrect peut créer des dangers.

2. Portez des lunettes de sécurité approuvées ANSI et des gants de travail robustes pendant l'assemblage.

3. Gardez la zone de montage propre et bien éclairée.

4. Gardez les spectateurs hors de la zone pendant le montage.

5. Ne vous rassemblez pas lorsque vous êtes fatigué ou sous l'influence de l'alcool, de drogues ou de médicaments.

6. Les capacités du produit s'appliquent uniquement aux produits correctement et complètement assemblés.

7. Pour plus d'informations sur les pièces listées dans les pages suivantes, veuillez vous référer au schéma d'assemblage de ce manuel. Déballez et séparez toutes les pièces dans un espace de travail propre.

Précautions d'emploi

1. N'utilisez pas ce produit à des fins non expressément spécifiées par le fabricant. Le fabricant décline toute responsabilité en cas de dommages ou de blessures causés par un montage ou une utilisation incorrects.

2. Inspectez avant chaque utilisation ; ne pas utiliser si des pièces sont desserrées ou endommagées.

CONSERVEZ CES INSTRUCTIONS

Fabricant : Shanghai muxinmuyeyouxiangongsi

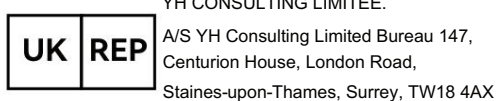
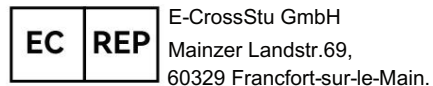
Adresse : Shuangchenglu 803nong11hao1602A-1609shi, Baoshanqu, Shanghai 200000 CN.

Importé en AUS : SIHAO PTY LTD.

1 ROKEVA STREET, EASTWOOD, NSW 2122, Australie

Importé aux États-Unis : Sanven Technology Ltd.

Suite 250, 9166 Anaheim Place, Rancho Cucamonga, CA 91730



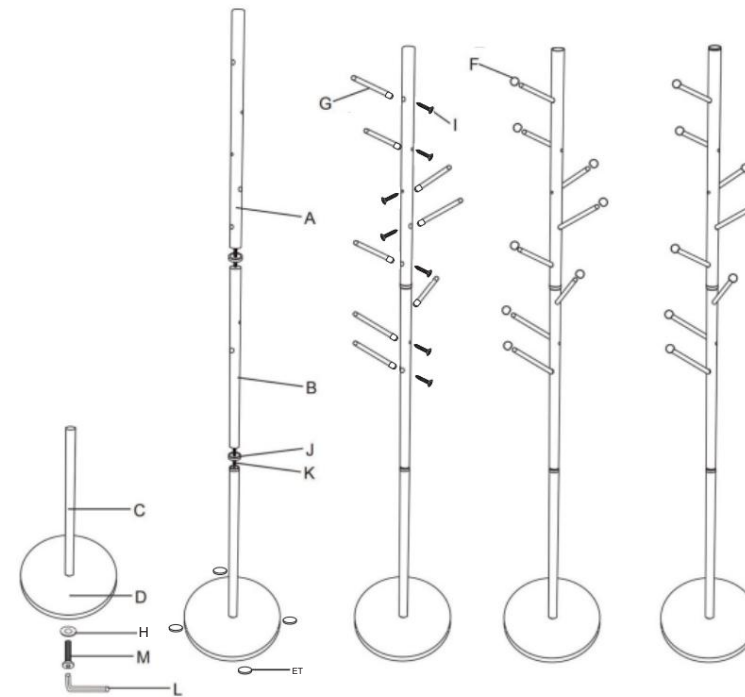
Ceci est le mode d'emploi d'origine. Veuillez lire attentivement toutes les instructions du manuel avant utilisation. VEVOR se réserve le droit d'interpréter clairement ce manuel d'utilisation. La disponibilité du produit dépend du produit que vous avez reçu. Veuillez nous excuser pour le fait que nous ne vous informerons plus des mises à jour technologiques ou logicielles de notre produit. Fabriqué en Chine

VEVOR

Affordable. Reliable. Home Improvement.

PORTE-MANTEAU

Modèle : GH-L618



A		1
B		1
C		1
D		1
E		4
F		8
G		8
H		1
I		8
J		2
K		2
L		1
M		1

Conseils:

1. Avant l'installation, vérifiez toutes les pièces selon la liste des pièces et vérifiez si les pièces sont complètes.
2. Assemblez le produit dans le bon ordre comme indiqué.



AVERTISSEMENT:

Veillez lire attentivement ce document avant d'utiliser ce produit. Le non-respect de ces instructions peut entraîner des blessures graves.

Précautions de montage

1. Assemblez uniquement en suivant ces instructions. Un assemblage incorrect peut créer des dangers.
2. Portez des lunettes de sécurité approuvées ANSI et des gants de travail robustes pendant l'assemblage.
3. Gardez la zone de montage propre et bien éclairée.
4. Gardez les spectateurs hors de la zone pendant le montage.
5. Ne vous rassemblez pas lorsque vous êtes fatigué ou sous l'influence de l'alcool, de drogues ou de médicaments.
6. Les capacités du produit s'appliquent uniquement aux produits correctement et complètement assemblés.
7. Pour plus d'informations sur les pièces listées dans les pages suivantes, veuillez vous référer au schéma d'assemblage de ce manuel. Déballez et séparez toutes les pièces dans un espace de travail propre.

Précautions d'emploi

1. N'utilisez pas ce produit à des fins non expressément spécifiées par le fabricant. Le fabricant décline toute responsabilité en cas de dommages ou de blessures causés par un montage ou une utilisation incorrects.
2. Inspectez avant chaque utilisation ; ne pas utiliser si des pièces sont desserrées ou endommagées.

CONSERVEZ CES INSTRUCTIONS

Fabricant : Shanghai muxinmuyeyouxiangongsi

Adresse : Shuangchenglu 803nong11hao1602A-1609shi, Baoshanqu, Shanghai 200000 CN.

Importé en AUS : SIHAO PTY LTD.

1 ROKEVA STREET, EASTWOOD, NSW 2122, Australie

Importé aux États-Unis : Sanven Technology Ltd.

Suite 250, 9166 Anaheim Place, Rancho Cucamonga, CA 91730

EC REP E-CrossStu GmbH
Mainzer Landstr.69,
60329 Francfort-sur-le-Main.

UK REP YH CONSULTING LIMITÉE.
A/S YH Consulting Limited Bureau 147,
Centurion House, London Road,
Staines-upon-Thames, Surrey, TW18 4AX

Ceci est le mode d'emploi d'origine. Veuillez lire attentivement toutes les instructions du manuel avant utilisation. VEVOR se réserve le droit d'interpréter clairement ce manuel d'utilisation.

La disponibilité du produit dépend du produit que vous avez reçu. Veuillez nous excuser pour le fait que nous ne vous informerons plus des mises à jour technologiques ou logicielles

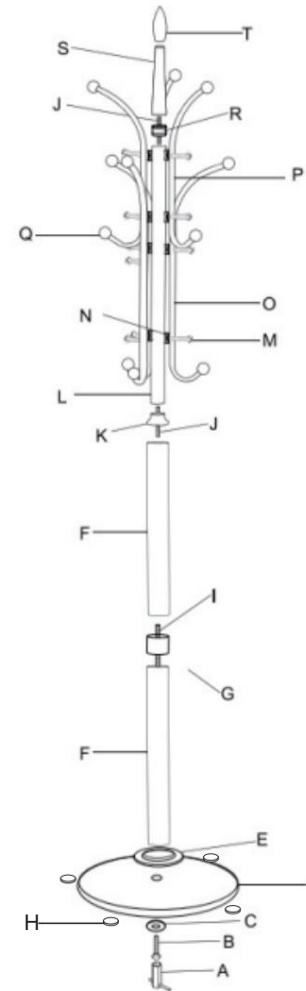
de notre produit. Fabriqué en Chine

SKU1:GH-6206S

VEVOR

Affordable. Reliable. Home Improvement.

Modèle : GH-6206s



A		1
B		1
C		1
D		1
E		1
F		2
G		1
H		4
I		1
J		2
K		1
L		1
M		12
N		12
O		3
P		3
Q		12
R		1
S		1
T		1

Conseils:

1. Avant l'installation, vérifiez toutes les pièces selon la liste des pièces et vérifiez si les pièces sont complètes.
2. Assemblez le produit dans le bon ordre comme indiqué.



Conseils:

1. Avant l'installation, vérifiez toutes les pièces selon la liste des pièces et vérifiez si les pièces sont complètes.
2. Assemblez le produit dans le bon ordre comme indiqué.

AVERTISSEMENT:

Veillez lire attentivement ce document avant d'utiliser ce produit. Le non-respect de ces instructions peut entraîner des blessures graves.

Précautions de montage

1. Assemblez uniquement en suivant ces instructions. Un assemblage incorrect peut créer des dangers.
2. Portez des lunettes de sécurité approuvées ANSI et des gants de travail robustes pendant l'assemblage.
3. Gardez la zone de montage propre et bien éclairée.
4. Gardez les spectateurs hors de la zone pendant le montage.
5. Ne vous rassemblez pas lorsque vous êtes fatigué ou sous l'influence de l'alcool, de drogues ou de médicaments.
6. Les capacités du produit s'appliquent uniquement aux produits correctement et complètement assemblés.
7. Pour plus d'informations sur les pièces listées dans les pages suivantes, veuillez vous référer au schéma d'assemblage de ce manuel. Déballiez et séparez toutes les pièces dans un espace de travail propre.

Précautions d'emploi

1. N'utilisez pas ce produit à des fins non expressément spécifiées par le fabricant. Le fabricant décline toute responsabilité en cas de dommages ou de blessures causés par un montage ou une utilisation incorrects.
2. Inspectez avant chaque utilisation ; ne pas utiliser si des pièces sont desserrées ou endommagées.

CONSERVEZ CES INSTRUCTIONS

Fabricant : Shanghaimuxinmuyeyouxiangongsi

Adresse : Shuangchenglu 803nong11hao1602A-1609shi, Baoshanqu, Shanghai 200000 CN.

Importé en AUS : SIHAO PTY LTD.

1 ROKEVA STREET, EASTWOOD, NSW 2122, Australie

Importé aux États-Unis : Sanven Technology Ltd.

Suite 250, 9166 Anaheim Place, Rancho Cucamonga, CA 91730

EC REP E-CrossStu GmbH
Mainzer Landstr.69,
60329 Francfort-sur-le-Main.

UK REP YH CONSULTING LIMITÉE.
A/S YH Consulting Limited Bureau 147,
Centurion House, London Road,
Staines-upon-Thames, Surrey, TW18 4AX

Ceci est le mode d'emploi d'origine. Veuillez lire attentivement toutes les instructions du manuel avant utilisation. VEVOR se réserve le droit d'interpréter clairement ce manuel d'utilisation.

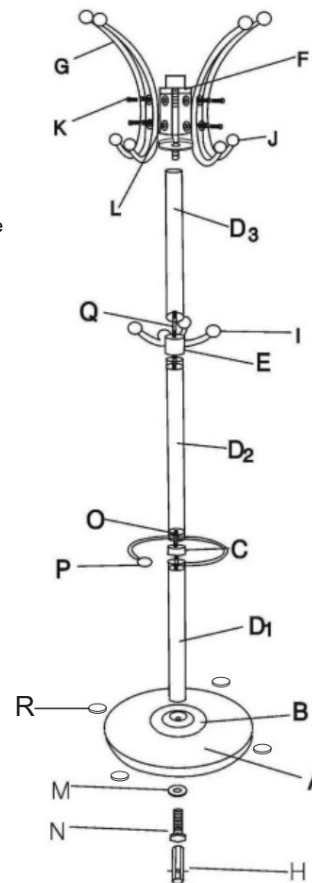
La disponibilité du produit dépend du produit que vous avez reçu. Veuillez nous excuser pour le fait que nous ne vous informerons plus des mises à jour technologiques ou logicielles de notre produit. Fabriqué en Chine

VEVOR

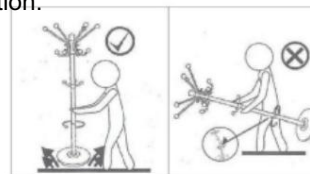
Affordable. Reliable. Home Improvement.

PORTE-MANTEAU

Modèle : GH-8617



A		1
B		1
C		1
D		3
E		1
F		1
G		5
H		1
I		4
J		10
K		10
L		10
M		1
N		1
O		1
P		1
Q		1
R		4



VEVOR

Affordable. Reliable. Home Improvement.

PORTE-MANTEAU

Modèle : GH-L619

Précautions de montage

1. Assemblez uniquement en suivant ces instructions. Un assemblage incorrect peut créer des dangers.
2. Portez des lunettes de sécurité approuvées ANSI et des gants de travail robustes pendant l'assemblage.
3. Gardez la zone de montage propre et bien éclairée.
4. Gardez les spectateurs hors de la zone pendant le montage.
5. Ne vous rassemblez pas lorsque vous êtes fatigué ou sous l'influence de l'alcool, de drogues ou de médicaments.
6. Les capacités du produit s'appliquent uniquement aux produits correctement et complètement assemblés.
7. Pour plus d'informations sur les pièces listées dans les pages suivantes, veuillez vous référer au schéma d'assemblage de ce manuel. Déballez et séparez toutes les pièces dans un espace de travail propre.

Précautions d'emploi

1. N'utilisez pas ce produit à des fins non expressément spécifiées par le fabricant. Le fabricant décline toute responsabilité en cas de dommages ou de blessures causés par un montage ou une utilisation incorrects.
2. Inspectez avant chaque utilisation ; ne pas utiliser si des pièces sont desserrées ou endommagées.

CONSERVEZ CES INSTRUCTIONS

Fabricant : Shanghai muxinmuyeyouxiangongsi

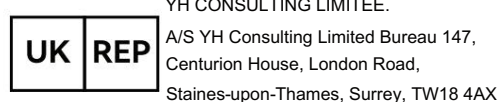
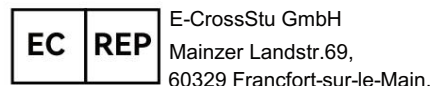
Adresse : Shuangchenglu 803nong11hao1602A-1609shi, Baoshanqu, Shanghai 200000 CN.

Importé en AUS : SIHAO PTY LTD.

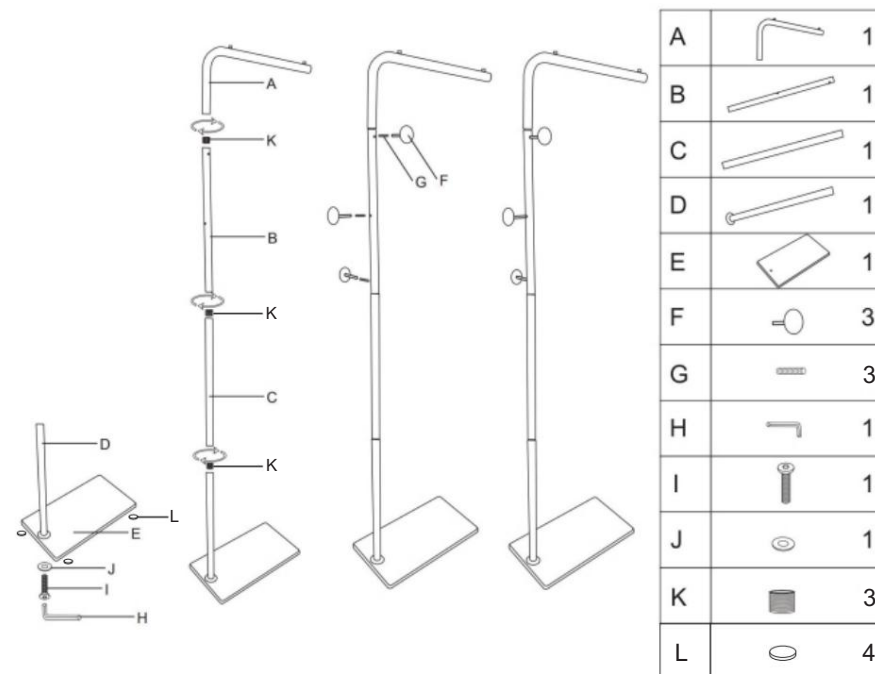
1 ROKEVA STREET, EASTWOOD, NSW 2122, Australie

Importé aux États-Unis : Sanven Technology Ltd.

Suite 250, 9166 Anaheim Place, Rancho Cucamonga, CA 91730



Ceci est le mode d'emploi d'origine. Veuillez lire attentivement toutes les instructions du manuel avant utilisation. VEVOR se réserve le droit d'interpréter clairement ce manuel d'utilisation. La disponibilité du produit dépend du produit que vous avez reçu. Veuillez nous excuser pour le fait que nous ne vous informerons plus des mises à jour technologiques ou logicielles de notre produit. Fabriqué en Chine



Conseils :

1. Avant l'installation, vérifiez toutes les pièces selon la liste des pièces et vérifiez si les pièces sont complètes.
2. Assemblez le produit dans le bon ordre comme indiqué.

AVERTISSEMENT:

Veuillez lire attentivement ce document avant d'utiliser ce produit. Le non-respect de ces instructions peut entraîner des blessures graves.



Conseils:

1. Avant l'installation, vérifiez toutes les pièces selon la liste des pièces et vérifiez si les pièces sont complètes.
2. Assemblez le produit dans le bon ordre comme indiqué.

AVERTISSEMENT:

Veuillez lire attentivement ce document avant d'utiliser ce produit. Le non-respect de ces instructions peut entraîner des blessures graves.

Précautions de montage

1. Assemblez uniquement en suivant ces instructions. Un assemblage incorrect peut créer des dangers.
2. Portez des lunettes de sécurité approuvées ANSI et des gants de travail robustes pendant l'assemblage.
3. Gardez la zone de montage propre et bien éclairée.
4. Gardez les spectateurs hors de la zone pendant le montage.
5. Ne vous rassemblez pas lorsque vous êtes fatigué ou sous l'influence de l'alcool, de drogues ou de médicaments.
6. Les capacités du produit s'appliquent uniquement aux produits correctement et complètement assemblés.
7. Pour plus d'informations sur les pièces listées dans les pages suivantes, veuillez vous référer au schéma d'assemblage de ce manuel. Déballez et séparez toutes les pièces dans un espace de travail propre.

Précautions d'emploi

1. N'utilisez pas ce produit à des fins non expressément spécifiées par le fabricant. Le fabricant décline toute responsabilité en cas de dommages ou de blessures causés par un montage ou une utilisation incorrects.
2. Inspectez avant chaque utilisation ; ne pas utiliser si des pièces sont desserrées ou endommagées.

CONSERVEZ CES INSTRUCTIONS

Fabricant : Shanghaimuxinmuyeyouxiangongsi

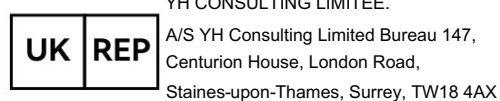
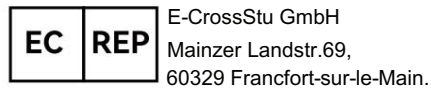
Adresse : Shuangchenglu 803nong11hao1602A-1609shi, Baoshanqu, Shanghai 200000 CN.

Importé en AUS : SIHAO PTY LTD.

1 ROKEVA STREET, EASTWOOD, NSW 2122, Australie

Importé aux États-Unis : Sanven Technology Ltd.

Suite 250, 9166 Anaheim Place, Rancho Cucamonga, CA 91730



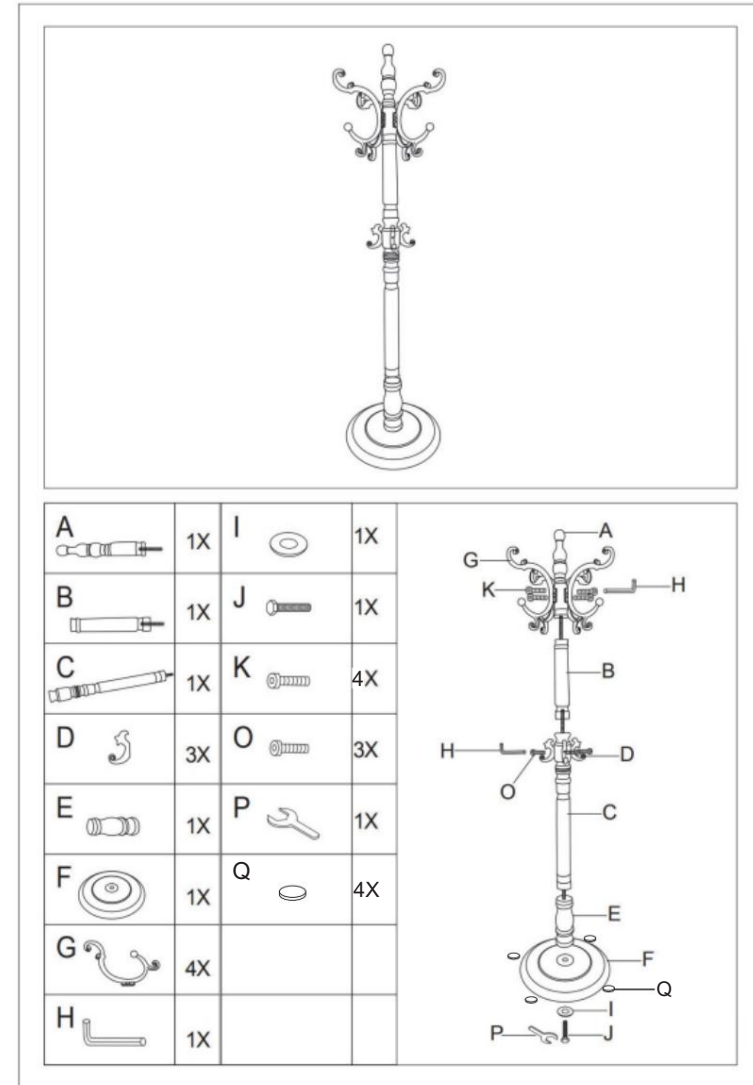
Ceci est le mode d'emploi d'origine. Veuillez lire attentivement toutes les instructions du manuel avant utilisation. VEVOR se réserve le droit d'interpréter clairement ce manuel d'utilisation. La disponibilité du produit dépend du produit que vous avez reçu. Veuillez nous excuser pour le fait que nous ne vous informerons plus des mises à jour technologiques ou logicielles de notre produit. Fabriqué en Chine

VEVOR

Affordable. Reliable. Home Improvement.

PORTE-MANTEAU

Modèle : M-52



AVERTISSEMENT:

Veillez lire attentivement ce document avant d'utiliser ce produit. Le non-respect de ces instructions peut entraîner des blessures graves.

Précautions de montage

1. Assemblez uniquement en suivant ces instructions. Un assemblage incorrect peut créer des dangers.
2. Portez des lunettes de sécurité approuvées ANSI et des gants de travail robustes pendant l'assemblage.
3. Gardez la zone de montage propre et bien éclairée.
4. Gardez les spectateurs hors de la zone pendant le montage.
5. Ne vous rassemblez pas lorsque vous êtes fatigué ou sous l'influence de l'alcool, de drogues ou de médicaments.
6. Les capacités du produit s'appliquent uniquement aux produits correctement et complètement assemblés.
7. Pour plus d'informations sur les pièces listées dans les pages suivantes, veuillez vous référer au schéma d'assemblage de ce manuel. Déballez et séparez toutes les pièces dans un espace de travail propre.

Précautions d'emploi

1. N'utilisez pas ce produit à des fins non expressément spécifiées par le fabricant. Le fabricant décline toute responsabilité en cas de dommages ou de blessures causés par un montage ou une utilisation incorrects.
2. Inspectez avant chaque utilisation ; ne pas utiliser si des pièces sont desserrées ou endommagées.

CONSERVEZ CES INSTRUCTIONS

Fabricant : Shanghai muxinmuyeyouxiangongsi

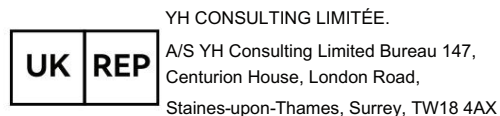
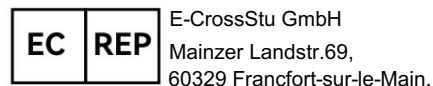
Adresse : Shuangchenglu 803nong11hao1602A-1609shi, Baoshanqu, Shanghai 200000 CN.

Importé en AUS : SIHAO PTY LTD.

1 ROKEVA STREET, EASTWOOD, NSW 2122, Australie

Importé aux États-Unis : Sanven Technology Ltd.

Suite 250, 9166 Anaheim Place, Rancho Cucamonga, CA 91730



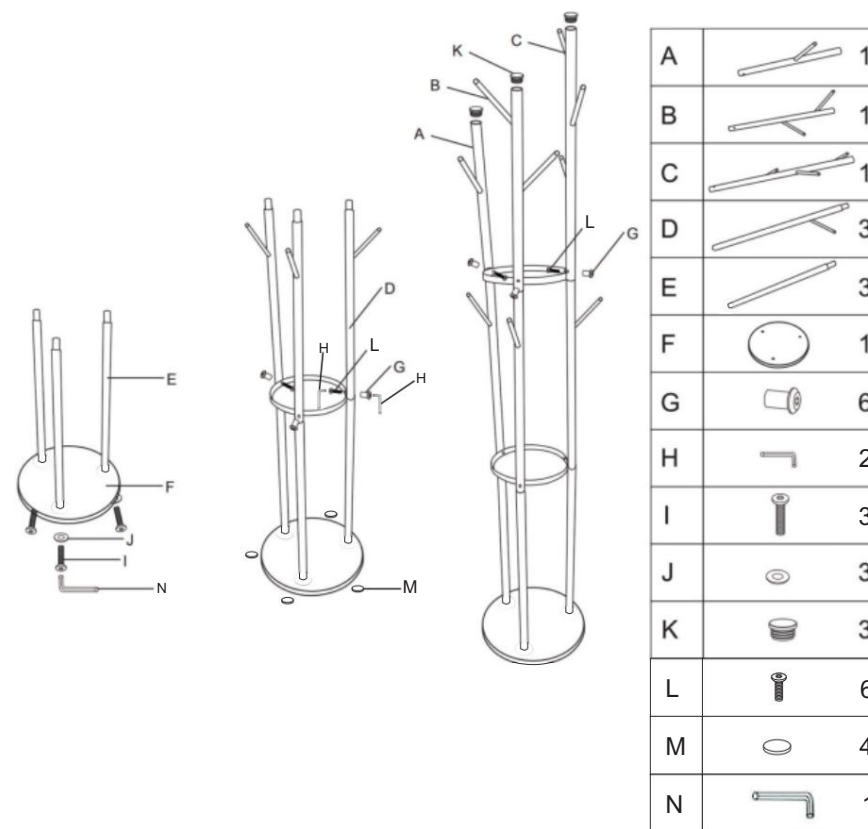
Ceci est le mode d'emploi d'origine. Veuillez lire attentivement toutes les instructions du manuel avant utilisation. VEVOR se réserve le droit d'interpréter clairement ce manuel d'utilisation. La disponibilité du produit dépend du produit que vous avez reçu. Veuillez nous excuser pour le fait que nous ne vous informerons plus des mises à jour technologiques ou logicielles de notre produit:abriqué en Chine

VEVOR

Affordable. Reliable. Home Improvement.

PORTE-MANTEAU

Modèle : GH-620



Conseils:

1. Avant l'installation, vérifiez toutes les pièces selon la liste des pièces et vérifiez si les pièces sont complètes.
2. Assemblez le produit dans le bon ordre comme indiqué.



Conseils:

1. Avant l'installation, vérifiez toutes les pièces selon la liste des pièces et vérifiez si les pièces sont complètes.

2. Assemblez le produit dans le bon ordre comme indiqué.

AVERTISSEMENT:

Veillez lire attentivement ce document avant d'utiliser ce produit. Le non-respect de ces instructions peut entraîner des blessures graves.

Précautions de montage

1. Assemblez uniquement en suivant ces instructions. Un assemblage incorrect peut créer des dangers.

2. Portez des lunettes de sécurité approuvées ANSI et des gants de travail robustes pendant l'assemblage.

3. Gardez la zone de montage propre et bien éclairée.

4. Gardez les spectateurs hors de la zone pendant le montage.

5. Ne vous rassemblez pas lorsque vous êtes fatigué ou sous l'influence de l'alcool, de drogues ou de médicaments.

6. Les capacités du produit s'appliquent uniquement aux produits correctement et complètement assemblés.

7. Pour plus d'informations sur les pièces listées dans les pages suivantes, veuillez vous référer au schéma d'assemblage de ce manuel. Déballez et séparez toutes les pièces dans un espace de travail propre.

Précautions d'emploi

1. N'utilisez pas ce produit à des fins non expressément spécifiées par le fabricant. Le fabricant décline toute responsabilité en cas de dommages ou de blessures causés par un montage ou une utilisation incorrects.

2. Inspectez avant chaque utilisation ; ne pas utiliser si des pièces sont desserrées ou endommagées.

CONSERVEZ CES INSTRUCTIONS

Fabricant : Shanghaixunmuyeyouxiangongsi

Adresse : Shuangchenglu 803nong11hao1602A-1609shi, Baoshanqu, Shanghai 200000 CN.

Importé en AUS : SIHAO PTY LTD.

1 ROKEVA STREET, EASTWOOD, NSW 2122, Australie

Importé aux États-Unis : Sanven Technology Ltd.

Suite 250, 9166 Anaheim Place, Rancho Cucamonga, CA 91730

EC	REP	E-CrossStu GmbH Mainzer Landstr.69, 60329 Francfort-sur-le-Main.
-----------	------------	--

UK	REP	YH CONSULTING LIMITÉE. A/S YH Consulting Limited Bureau 147, Centurion House, London Road, Staines-upon-Thames, Surrey, TW18 4AX
-----------	------------	---

Ceci est le mode d'emploi d'origine. Veuillez lire attentivement toutes les instructions du manuel avant utilisation. VEVOR se réserve le droit d'interpréter clairement ce manuel d'utilisation. La disponibilité du produit dépend du produit que vous avez reçu. Veuillez nous excuser pour le fait que nous ne vous informerons plus des mises à jour technologiques ou logicielles de notre produit fabriqué en Chine

VEVOR

Affordable. Reliable. Home Improvement.

PORTE-MANTEAU Modèle : GH-309

<p>Accessories are as follows:</p> <table border="1"> <tr> <td>(A)</td> <td>Tube A</td> <td>(B)</td> <td>Tube B (with marking)</td> <td>(C)</td> <td>Tube C</td> <td>(D)</td> <td>Tube D</td> <td>(E)</td> <td>Triangle board (top)</td> <td>(F)</td> <td>Triangle board (left)</td> <td>(G)</td> <td>Screw (top)</td> <td>(H)</td> <td>Screw (left)</td> <td>(I)</td> <td></td> <td>(J)</td> <td></td> <td>(K)</td> <td></td> <td>(L)</td> <td></td> </tr> <tr> <td>X1</td> <td></td> <td>X3</td> <td></td> <td>X3</td> <td></td> <td>X3</td> <td></td> <td>X1</td> <td></td> <td>X1</td> <td></td> <td>X5</td> <td></td> <td>X6</td> <td></td> <td>X3</td> <td></td> <td>X2</td> <td></td> <td></td> <td></td> <td></td> <td></td> </tr> </table>		(A)	Tube A	(B)	Tube B (with marking)	(C)	Tube C	(D)	Tube D	(E)	Triangle board (top)	(F)	Triangle board (left)	(G)	Screw (top)	(H)	Screw (left)	(I)		(J)		(K)		(L)		X1		X3		X3		X3		X1		X1		X5		X6		X3		X2						<p>Assembled Product Picture</p>		<p>Fig: 1. Before installation, check all parts according to the parts list and verify whether the parts are complete. Contact the service provider if you have any questions. 2. Assemble the product in the correct order as instructed.</p>	
(A)	Tube A	(B)	Tube B (with marking)	(C)	Tube C	(D)	Tube D	(E)	Triangle board (top)	(F)	Triangle board (left)	(G)	Screw (top)	(H)	Screw (left)	(I)		(J)		(K)		(L)																															
X1		X3		X3		X3		X1		X1		X5		X6		X3		X2																																			
<p>Step 1: Take 3 Tube (D), 1 Small Triangle board (F), 1 Triangle board (E) and 8 Short screws (H) install them as shown in below picture.</p>		<p>Step 2: Install Tube C (with marking) (C) on the top of Tube (D).</p>																																																			
<p>Step 3: Continue to install Tube B (B) on the top of Tube (D).</p>		<p>Step 4: Take Tube A (A) and 6 Long screws (G) install them in the according position in the picture. The installation is completed.</p>																																																			



WAARSCHUWING:

Lees dit materiaal voordat u dit product gebruikt. Het niet naleven hiervan kan ernstig letsel tot gevolg hebben.

Voorzorgsmaatregelen voor montage

1. Monteer het product uitsluitend volgens deze instructies. Onjuiste montage kan gevaarlijk zijn.
2. Draag tijdens de montage een ANSI-goedgekeurde veiligheidsbril en stevige werkhandschoenen.
3. Zorg ervoor dat de verzamelplaats schoon en goed verlicht is.
4. Houd omstanders uit de buurt tijdens de montage.
5. Kom niet in actie als u moe bent of onder invloed van alcohol, drugs of medicijnen.

6. De producteigenschappen gelden uitsluitend voor producten die volledig en naar behoren zijn gemonteerd.
7. Raadpleeg voor meer informatie over de onderdelen die op de volgende pagina's worden vermeld het montageschema in deze handleiding. Pak alle onderdelen uit en scheid ze van elkaar op een schone werkplek.

Gebruik voorzorgsmaatregelen

1. Gebruik dit product niet voor doeleinden die niet expliciet door de fabrikant zijn aangegeven. De fabrikant is niet aansprakelijk voor schade of letsel veroorzaakt door onjuiste montage of gebruik.
2. Controleer het product voor elk gebruik. Gebruik het product niet als er losse of beschadigde onderdelen zijn.

BEWAAR DEZE INSTRUCTIES

Fabrikant: Shanghaimuxinmuyeyouxiangongsi

Adres: Shuangchenglu 803nong11hao1602A-1609shi, Baoshanqu, Shanghai 200000 CN.

Geïmporteerd naar AUS: SIHAO PTY LTD.

1 ROKEVA STRETEASTWOOD NSW 2122 Australië

Geïmporteerd naar de VS: Sanven Technology Ltd.

Suite 250, 9166 Anaheim Place, Rancho Cucamonga, CA 91730

EC REP E-CrossStu GmbH
Mainzer Landstr.69,
60329 Frankfurt am Main.

UK REP YH CONSULTING LIMITED.
T.a.v. YH Consulting Limited Kantoor 147,
Centurion House, London Road, Staines-
upon-Thames, Surrey, TW18 4AX

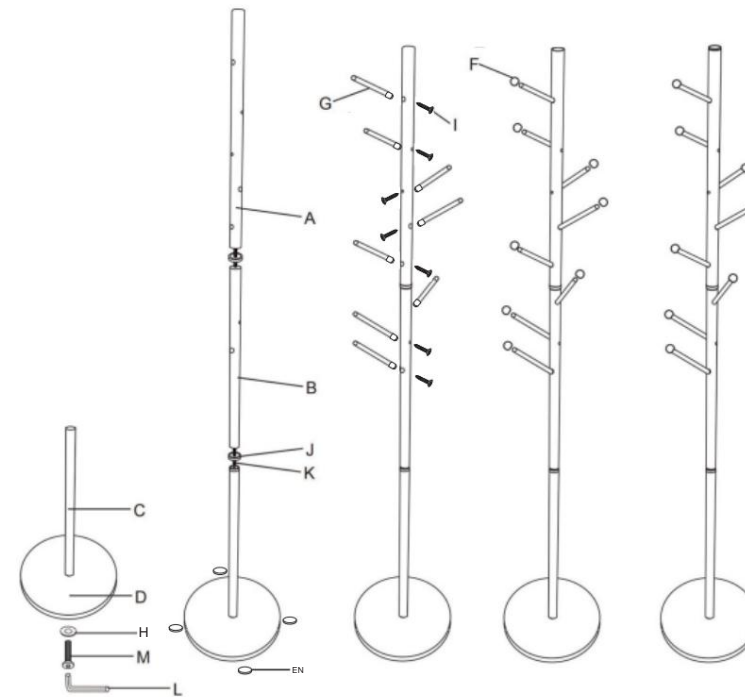
Dit is de originele instructie. Lees alle instructies zorgvuldig door voordat u het apparaat gebruikt. VEVOR behoudt zich een duidelijke interpretatie van onze gebruikershandleiding voor. De weergave - De garantie van het product is afhankelijk van het product dat u hebt ontvangen. Neemt u het ons niet kwalijk dat we u niet meer op de hoogte stellen van eventuele technologische of software-updates voor ons product. **Gemaakt in China**

VEVOR

Affordable. Reliable. Home Improvement.

KAPSTOK

Model: GH-L618



A		1
B		1
C		1
D		1
E		4
F		8
G		8
H		1
I		8
J		2
K		2
L		1
M		1

Tips:

1. Controleer voor de installatie alle onderdelen aan de hand van de stuklijst en controleer of de onderdelen compleet zijn.
2. Monteer het product in de juiste volgorde volgens de instructies.



WAARSCHUWING:

Lees dit materiaal voordat u dit product gebruikt. Het niet naleven hiervan kan ernstig letsel tot gevolg hebben.

Voorzorgsmaatregelen voor montage

1. Monteer het product uitsluitend volgens deze instructies. Onjuiste montage kan gevaarlijk zijn.
2. Draag tijdens de montage een ANSI-goedgekeurde veiligheidsbril en stevige werkhandschoenen.
3. Zorg ervoor dat de verzamelplaats schoon en goed verlicht is.
4. Houd omstanders uit de buurt tijdens de montage.
5. Kom niet in actie als u moe bent of onder invloed van alcohol, drugs of medicijnen.
6. De producteigenschappen gelden uitsluitend voor producten die volledig en naar behoren zijn gemonteerd.
7. Raadpleeg voor meer informatie over de onderdelen die op de volgende pagina's worden vermeld het montageschema in deze handleiding. Pak alle onderdelen uit en scheid ze van elkaar op een schone werkplek.

Gebruik voorzorgsmaatregelen

1. Gebruik dit product niet voor doeleinden die niet expliciet door de fabrikant zijn aangegeven. De fabrikant is niet aansprakelijk voor schade of letsel veroorzaakt door onjuiste montage of onjuist gebruik.
2. Controleer het product voor elk gebruik. Gebruik het product niet als er losse of beschadigde onderdelen zijn.

BEWAAR DEZE INSTRUCTIES

Fabrikant: Shanghaimuxinmuyeyouxiangongsi

Adres: Shuangchenglu 803nong11hao1602A-1609shi, Baoshanqu, Shanghai 200000 CN.

Geïmporteerd naar AUS: SIHAO PTY LTD.

1 ROKEVA STREETEASTWOOD NSW 2122 Australië

Geïmporteerd naar de VS: Sanven Technology Ltd.

Suite 250, 9166 Anaheim Place, Rancho Cucamonga, CA 91730

EC REP E-CrossStu GmbH
Mainzer Landstr.69,
60329 Frankfurt am Main.

UK REP YH CONSULTING LIMITED.
T.a.v. YH Consulting Limited Kantoor 147,
Centurion House, London Road, Staines-
upon-Thames, Surrey, TW18 4AX

Dit is de originele instructie. Lees alle instructies zorgvuldig door voordat u het apparaat gebruikt. VEVOR behoudt zich een duidelijke interpretatie van onze gebruikershandleiding voor. De weergave - De garantie van het product is afhankelijk van het product dat u hebt ontvangen. Neemt u het ons niet kwalijk dat we u niet meer op de hoogte stellen van eventuele technologische of software-updates

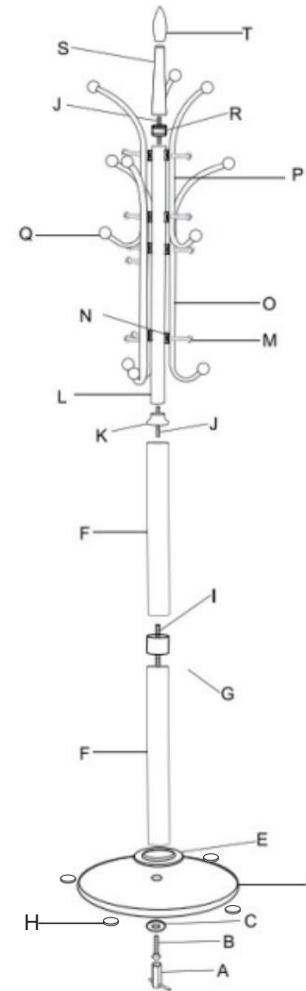
voor ons productGemaakt in China

SKU1:GH-6206S

VEVOR

Affordable. Reliable. Home Improvement.

Model: GH-6206s



A		1
B		1
C		1
D		1
E		1
F		2
G		1
H		4
I		1
J		2
K		1
L		1
M		12
N		12
O		3
P		3
Q		12
R		1
S		1
T		1

Tips:

1. Controleer voor de installatie alle onderdelen aan de hand van de stuklijst en controleer of de onderdelen compleet zijn.
2. Monteer het product in de juiste volgorde volgens de instructies.



Tips:

1. Controleer voor de installatie alle onderdelen aan de hand van de stuklijst en controleer of de onderdelen compleet zijn.
2. Monteer het product in de juiste volgorde volgens de instructies.

WAARSCHUWING:

Lees dit materiaal voordat u dit product gebruikt. Het niet naleven hiervan kan ernstig letsel tot gevolg hebben.

Voorzorgsmaatregelen voor montage

1. Monteer het product uitsluitend volgens deze instructies. Onjuiste montage kan gevaarlijk zijn.
2. Draag tijdens de montage een ANSI-goedgekeurde veiligheidsbril en stevige werkhandschoenen.
3. Zorg ervoor dat de verzamelplaats schoon en goed verlicht is.
4. Houd omstanders uit de buurt tijdens de montage.
5. Kom niet in actie als u moe bent of onder invloed van alcohol, drugs of medicijnen.
6. De producteigenschappen gelden uitsluitend voor producten die volledig en naar behoren zijn gemonteerd.
7. Raadpleeg voor meer informatie over de onderdelen die op de volgende pagina's worden vermeld het montageschema in deze handleiding. Pak alle onderdelen uit en scheid ze van elkaar op een schone werkplek.

Gebruik voorzorgsmaatregelen

1. Gebruik dit product niet voor doeleinden die niet expliciet door de fabrikant zijn aangegeven. De fabrikant is niet aansprakelijk voor schade of letsel veroorzaakt door onjuiste montage of onjuist gebruik.
2. Controleer het product voor elk gebruik. Gebruik het product niet als er losse of beschadigde onderdelen zijn.

BEWAAR DEZE INSTRUCTIES

Fabrikant: Shanghaimuxinmuyeyouxiangongsi

Adres: Shuangchenglu 803nong11hao1602A-1609shi, Baoshanqu, Shanghai 200000 CN.

Geïmporteerd naar AUS: SIHAO PTY LTD.

1 ROKEVA STREETEASTWOOD NSW 2122 Australië

Geïmporteerd naar de VS: Sanven Technology Ltd.

Suite 250, 9166 Anaheim Place, Rancho Cucamonga, CA 91730

EC REP E-CrossStu GmbH
Mainzer Landstr.69,
60329 Frankfurt am Main.

UK REP YH CONSULTING LIMITED.
T.a.v. YH Consulting Limited Kantoor 147,
Centurion House, London Road, Staines-
upon-Thames, Surrey, TW18 4AX

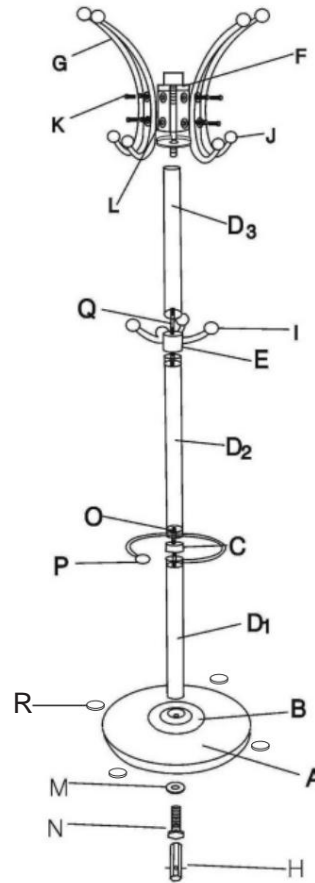
Dit is de originele instructie. Lees alle instructies zorgvuldig door voordat u het apparaat gebruikt. VEVOR behoudt zich een duidelijke interpretatie van onze gebruikershandleiding voor. De weergave - De garantie van het product is afhankelijk van het product dat u hebt ontvangen. Neemt u het ons niet kwalijk dat we u niet meer op de hoogte stellen van eventuele technologische of software-updates voor ons product. **Gemaakt in China**

VEVOR

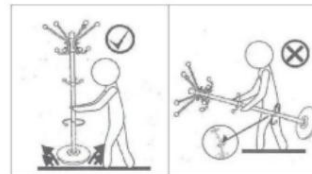
Affordable. Reliable. Home Improvement.

KAPSTOK

Model: GH-8617



A		1
B		1
C		1
D		3
E		1
F		1
G		5
H		1
I		4
J		10
K		10
L		10
M		1
N		1
O		1
P		1
Q		1
R		4



VEVOR

Affordable. Reliable. Home Improvement.

KAPSTOK

Model: GH-L619

Voorzorgsmaatregelen voor montage

1. Monteer het product uitsluitend volgens deze instructies. Onjuiste montage kan gevaarlijk zijn.
2. Draag tijdens de montage een ANSI-goedgekeurde veiligheidsbril en stevige werkhandschoenen.
3. Zorg ervoor dat de verzamelplaats schoon en goed verlicht is.
4. Houd omstanders uit de buurt tijdens de montage.
5. Kom niet in actie als u moe bent of onder invloed van alcohol, drugs of medicijnen.

6. De producteigenschappen gelden uitsluitend voor producten die volledig en naar behoren zijn gemonteerd.
7. Raadpleeg voor meer informatie over de onderdelen die op de volgende pagina's worden vermeld het montageschema in deze handleiding. Pak alle onderdelen uit en scheid ze van elkaar op een schone werkplek.

Gebruik voorzorgsmaatregelen

1. Gebruik dit product niet voor doeleinden die niet expliciet door de fabrikant zijn aangegeven. De fabrikant is niet aansprakelijk voor schade of letsel veroorzaakt door onjuiste montage of onjuist gebruik.
2. Controleer het product voor elk gebruik. Gebruik het product niet als er losse of beschadigde onderdelen zijn.

BEWAAR DEZE INSTRUCTIES

Fabrikant: Shanghaimuxinmuyeyouxiangongsi

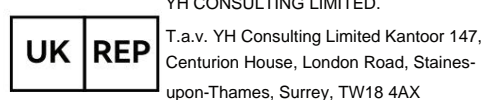
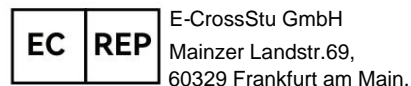
Adres: Shuangchenglu 803nong11hao1602A-1609shi, Baoshanqu, Shanghai 200000 CN.

Geïmporteerd naar AUS: SIHAO PTY LTD.

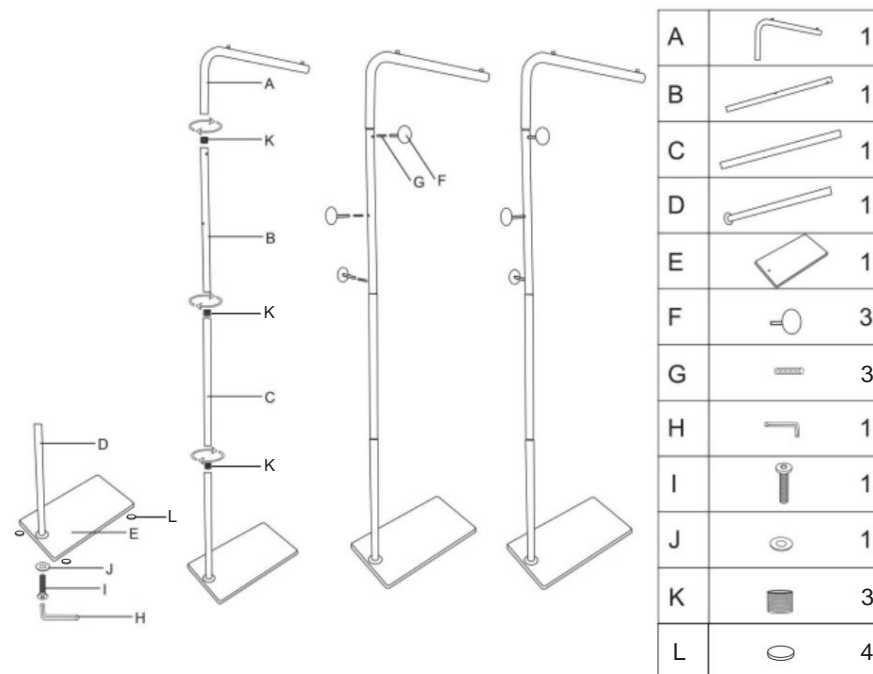
1 ROKEVA STREETEASTWOOD NSW 2122 Australië

Geïmporteerd naar de VS: Sanven Technology Ltd.

Suite 250, 9166 Anaheim Place, Rancho Cucamonga, CA 91730



Dit is de originele instructie. Lees alle instructies zorgvuldig door voordat u het apparaat gebruikt. VEVOR behoudt zich een duidelijke interpretatie van onze gebruikershandleiding voor. De weergave - De garantie van het product is afhankelijk van het product dat u hebt ontvangen. Neemt u het ons niet kwalijk dat we u niet meer op de hoogte stellen van eventuele technologische of software-updates voor ons product. **Gemaakt in China**



TTips:

1. Controleer voor de installatie alle onderdelen aan de hand van de stuklijst en controleer of de onderdelen compleet zijn.
2. Monteer het product in de juiste volgorde volgens de instructies.

WAARSCHUWING:

Lees dit materiaal voordat u dit product gebruikt. Het niet naleven hiervan kan ernstig letsel tot gevolg hebben.



Tips:

1. Controleer voor de installatie alle onderdelen aan de hand van de stuklijst en controleer of de onderdelen compleet zijn.
2. Monteer het product in de juiste volgorde volgens de instructies.

WAARSCHUWING:

Lees dit materiaal voordat u dit product gebruikt. Het niet naleven hiervan kan ernstig letsel tot gevolg hebben.

Voorzorgsmaatregelen voor montage

1. Monteer het product uitsluitend volgens deze instructies. Onjuiste montage kan gevaarlijk zijn.
2. Draag tijdens de montage een ANSI-goedgekeurde veiligheidsbril en stevige werkhandschoenen.
3. Zorg ervoor dat de verzamelplaats schoon en goed verlicht is.
4. Houd omstanders uit de buurt tijdens de montage.
5. Kom niet in actie als u moe bent of onder invloed van alcohol, drugs of medicijnen.
6. De producteigenschappen gelden uitsluitend voor producten die volledig en naar behoren zijn gemonteerd.
7. Raadpleeg voor meer informatie over de onderdelen die op de volgende pagina's worden vermeld het montageschema in deze handleiding. Pak alle onderdelen uit en scheid ze van elkaar op een schone werkplek.

Gebruik voorzorgsmaatregelen

1. Gebruik dit product niet voor doeleinden die niet expliciet door de fabrikant zijn aangegeven. De fabrikant is niet aansprakelijk voor schade of letsel veroorzaakt door onjuiste montage of onjuist gebruik.
2. Controleer het product voor elk gebruik. Gebruik het product niet als er losse of beschadigde onderdelen zijn.

BEWAAR DEZE INSTRUCTIES

Fabrikant: Shanghaimuxinmuyeyouxiangongsi

Adres: Shuangchenglu 803nong11hao1602A-1609shi, Baoshanqu, Shanghai 200000 CN.

Geïmporteerd naar AUS: SIHAO PTY LTD.

1 ROKEVA STREETEASTWOOD NSW 2122 Australië

Geïmporteerd naar de VS: Sanven Technology Ltd.

Suite 250, 9166 Anaheim Place, Rancho Cucamonga, CA 91730

EC REP E-CrossStu GmbH
Mainzer Landstr.69,
60329 Frankfurt am Main.

UK REP YH CONSULTING LIMITED.
T.a.v. YH Consulting Limited Kantoor 147,
Centurion House, London Road, Staines-
upon-Thames, Surrey, TW18 4AX

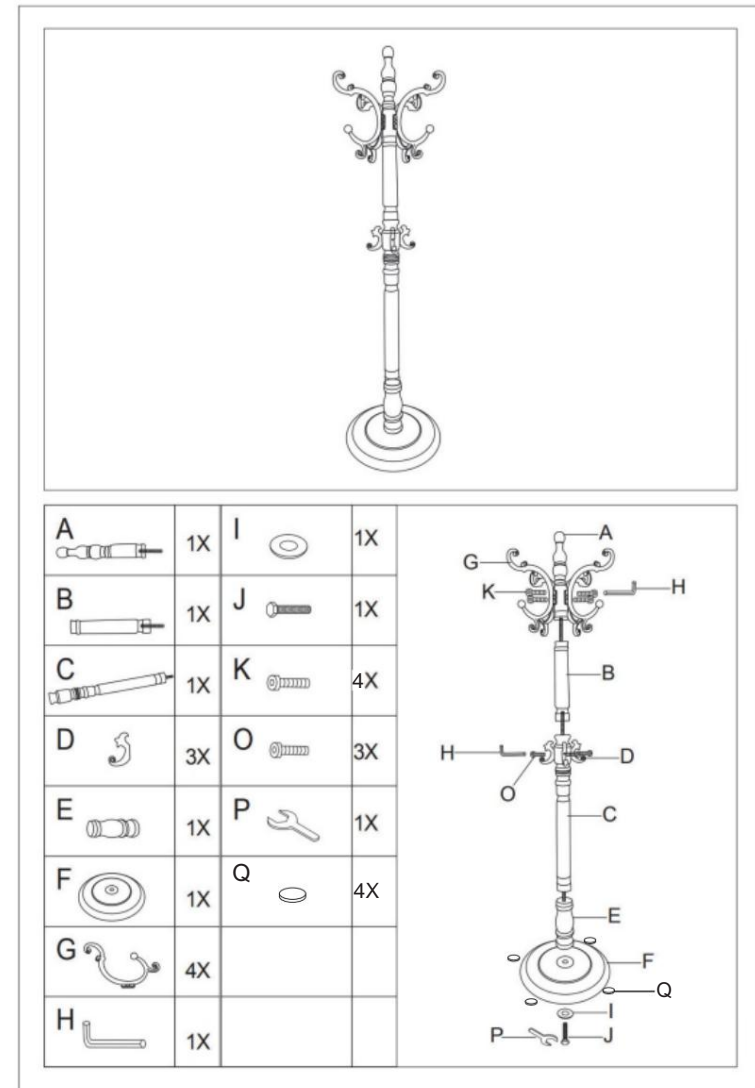
Dit is de originele instructie. Lees alle instructies zorgvuldig door voordat u het apparaat gebruikt. VEVOR behoudt zich een duidelijke interpretatie van onze gebruikershandleiding voor. De weergave - De garantie van het product is afhankelijk van het product dat u hebt ontvangen. Neemt u het ons niet kwalijk dat we u niet meer op de hoogte stellen van eventuele technologische of software-updates voor ons product **Gemaakt in China**

VEVOR

Affordable. Reliable. Home Improvement.

KAPSTOK

Model: M-52



WAARSCHUWING:

Lees dit materiaal voordat u dit product gebruikt. Het niet naleven hiervan kan ernstig letsel tot gevolg hebben.

Voorzorgsmaatregelen voor montage

1. Monteer het product uitsluitend volgens deze instructies. Onjuiste montage kan gevaarlijk zijn.
2. Draag tijdens de montage een ANSI-goedgekeurde veiligheidsbril en stevige werkhandschoenen.
3. Zorg ervoor dat de verzamelplaats schoon en goed verlicht is.
4. Houd omstanders uit de buurt tijdens de montage.
5. Kom niet in actie als u moe bent of onder invloed van alcohol, drugs of medicijnen.
6. De producteigenschappen gelden uitsluitend voor producten die volledig en naar behoren zijn gemonteerd.
7. Raadpleeg voor meer informatie over de onderdelen die op de volgende pagina's worden vermeld het montageschema in deze handleiding. Pak alle onderdelen uit en scheid ze van elkaar op een schone werkplek.

Gebruik voorzorgsmaatregelen

1. Gebruik dit product niet voor doeleinden die niet expliciet door de fabrikant zijn aangegeven. De fabrikant is niet aansprakelijk voor schade of letsel veroorzaakt door onjuiste montage of onjuist gebruik.
2. Controleer het product voor elk gebruik. Gebruik het product niet als er losse of beschadigde onderdelen zijn.

BEWAAR DEZE INSTRUCTIES

Fabrikant: Shanghaimuxinmuyeyouxiangongsi

Adres: Shuangchenglu 803nong11hao1602A-1609shi, Baoshanqu, Shanghai 200000 CN.

Geïmporteerd naar AUS: SIHAO PTY LTD.

1 ROKEVA STREETEASTWOOD NSW 2122 Australië

Geïmporteerd naar de VS: Sanven Technology Ltd.

Suite 250, 9166 Anaheim Place, Rancho Cucamonga, CA 91730

EC REP E-CrossStu GmbH
Mainzer Landstr.69,
60329 Frankfurt am Main.

UK REP YH CONSULTING LIMITED.
T.a.v. YH Consulting Limited Kantoor 147,
Centurion House, London Road, Staines-
upon-Thames, Surrey, TW18 4AX

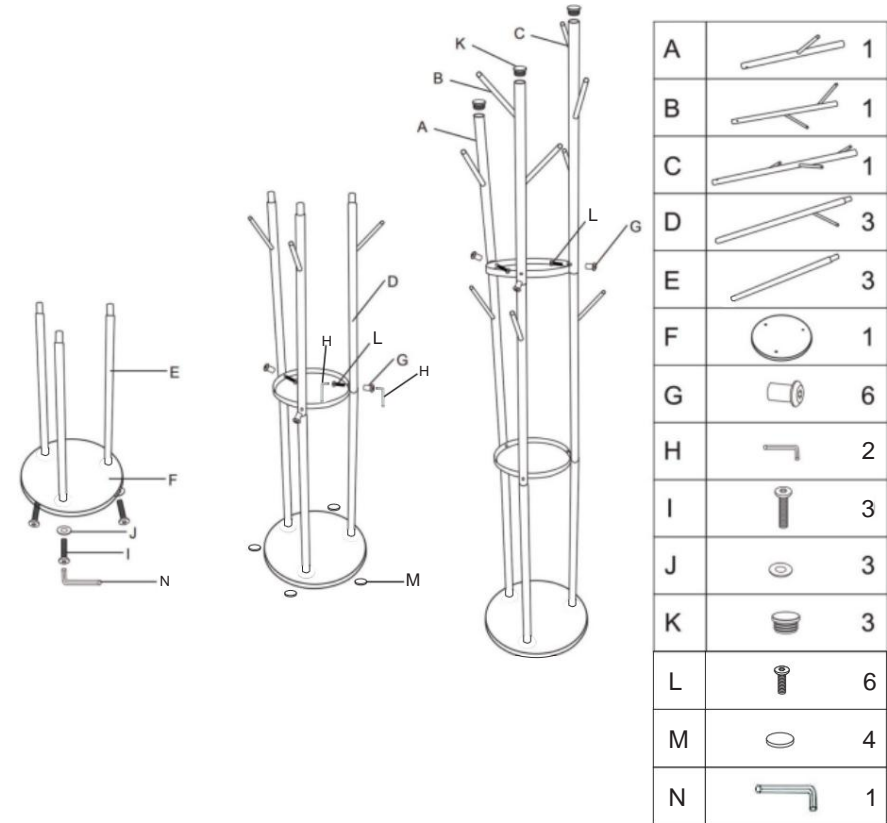
Dit is de originele instructie. Lees alle instructies zorgvuldig door voordat u het apparaat gebruikt. VEVOR behoudt zich een duidelijke interpretatie van onze gebruikershandleiding voor. De weergave - De garantie van het product is afhankelijk van het product dat u hebt ontvangen. Neemt u het ons niet kwalijk dat we u niet meer op de hoogte stellen van eventuele technologische of software-updates voor ons product. **Gemaakt in China**

VEVOR

Affordable. Reliable. Home Improvement.

KAPSTOK

Model: GH-620



Tips:

1. Controleer voor de installatie alle onderdelen aan de hand van de stuklijst en controleer of de onderdelen compleet zijn.
2. Monteer het product in de juiste volgorde volgens de instructies.



Tips:

1. Controleer voor de installatie alle onderdelen aan de hand van de stuklijst en controleer of de onderdelen compleet zijn.
2. Monteer het product in de juiste volgorde volgens de instructies.

WAARSCHUWING:

Lees dit materiaal voordat u dit product gebruikt. Het niet naleven hiervan kan ernstig letsel tot gevolg hebben.

Voorzorgsmaatregelen voor montage

1. Monteer het product uitsluitend volgens deze instructies. Onjuiste montage kan gevaarlijk zijn.
2. Draag tijdens de montage een ANSI-goedgekeurde veiligheidsbril en stevige werkhandschoenen.
3. Zorg ervoor dat de verzamelplaats schoon en goed verlicht is.
4. Houd omstanders uit de buurt tijdens de montage.
5. Kom niet in actie als u moe bent of onder invloed van alcohol, drugs of medicijnen.
6. De producteigenschappen gelden uitsluitend voor producten die volledig en naar behoren zijn gemonteerd.
7. Raadpleeg voor meer informatie over de onderdelen die op de volgende pagina's worden vermeld het montageschema in deze handleiding. Pak alle onderdelen uit en scheid ze van elkaar op een schone werkplek.

Gebruik voorzorgsmaatregelen

1. Gebruik dit product niet voor doeleinden die niet expliciet door de fabrikant zijn aangegeven. De fabrikant is niet aansprakelijk voor schade of letsel veroorzaakt door onjuiste montage of onjuist gebruik.
2. Controleer het product voor elk gebruik. Gebruik het product niet als er losse of beschadigde onderdelen zijn.

BEWAAR DEZE INSTRUCTIES

Fabrikant: Shanghaimuxinmuyeyouxiangongsi

Adres: Shuangchenglu 803nong11hao1602A-1609shi, Baoshanqu, Shanghai 200000 CN.

Geïmporteerd naar AUS: SIHAO PTY LTD.

1 ROKEVA STREETEASTWOOD NSW 2122 Australië

Geïmporteerd naar de VS: Sanven Technology Ltd.

Suite 250, 9166 Anaheim Place, Rancho Cucamonga, CA 91730

EC REP E-CrossStu GmbH
Mainzer Landstr.69,
60329 Frankfurt am Main.

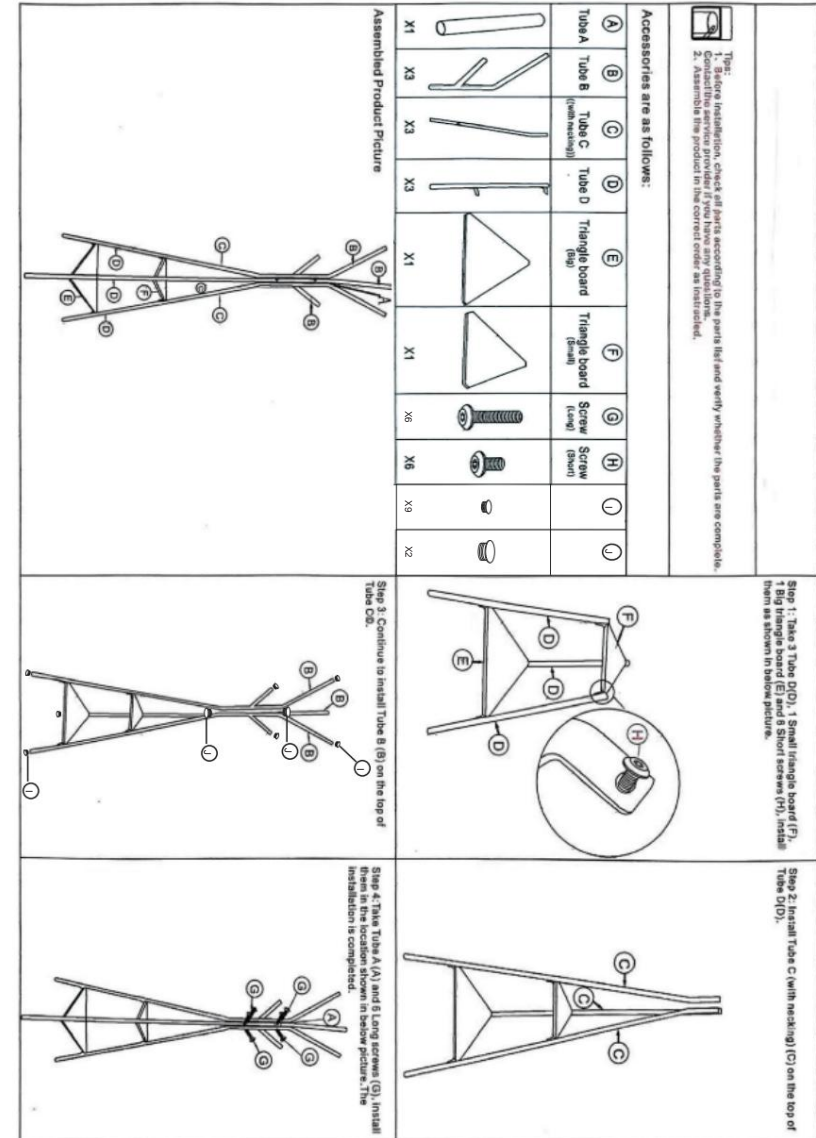
UK REP YH CONSULTING LIMITED.
T.a.v. YH Consulting Limited Kantoor 147,
Centurion House, London Road, Staines-
upon-Thames, Surrey, TW18 4AX

Dit is de originele instructie. Lees alle instructies zorgvuldig door voordat u het apparaat gebruikt. VEVOR behoudt zich een duidelijke interpretatie van onze gebruikershandleiding voor. De weergave - De garantie van het product is afhankelijk van het product dat u hebt ontvangen. Neemt u het ons niet kwalijk dat we u niet meer op de hoogte stellen van eventuele technologische of software-updates voor ons product **Gemaakt in China**

VEVOR

Affordable. Reliable. Home Improvement.

KAPSTOK Model: GH-309



VARNING:

Läs detta material innan du använder produkten. Underlåtenhet att göra det kan leda till allvarliga skador.

Monteringsförsiktighetsåtgärder

1. Montera endast enligt dessa instruktioner. Felaktig montering kan skapa risker.
2. Använd ANSI-godkända skyddsglasögon och kraftiga arbetshandskar under monteringen.
3. Håll samlingsområdet rent och väl upplyst.
4. Håll åskådare borta från området under monteringen.
5. Samlas inte när du är trött eller påverkad av alkohol, droger eller medicinering.
6. Produktens egenskaper gäller endast korrekt och fullständigt monterade produkter.
7. För ytterligare information om delarna som listas på följande sidor, se monteringsdiagrammet i denna manual. Packa upp och separera alla delar på en ren arbetsyta.

Använd försiktighetsåtgärder

1. Använd inte denna produkt för något ändamål som inte uttryckligen anges av tillverkaren. Tillverkaren ansvarar inte för skador eller personskador orsakade av felaktig montering eller användning.
2. Kontrollera före varje användning; använd inte om delar är lösa eller skadade.

SPARA DESSA INSTRUKTIONER

Tillverkare: Shanghai muxinmuyeyouxiangongsi

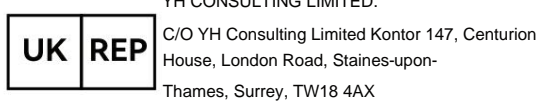
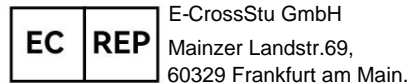
Adress: Shuangchenglu 803nong11hao1602A-1609shi, Baoshanqu, Shanghai 200000 CN.

Importerad till Australien: SIHAO PTY LTD.

1 ROKEVA STREET EASTWOOD NSW 2122 Australien

Importerad till USA: Sanven Technology Ltd.

Svit 250, 9166 Anaheim Place, Rancho Cucamonga, CA 91730



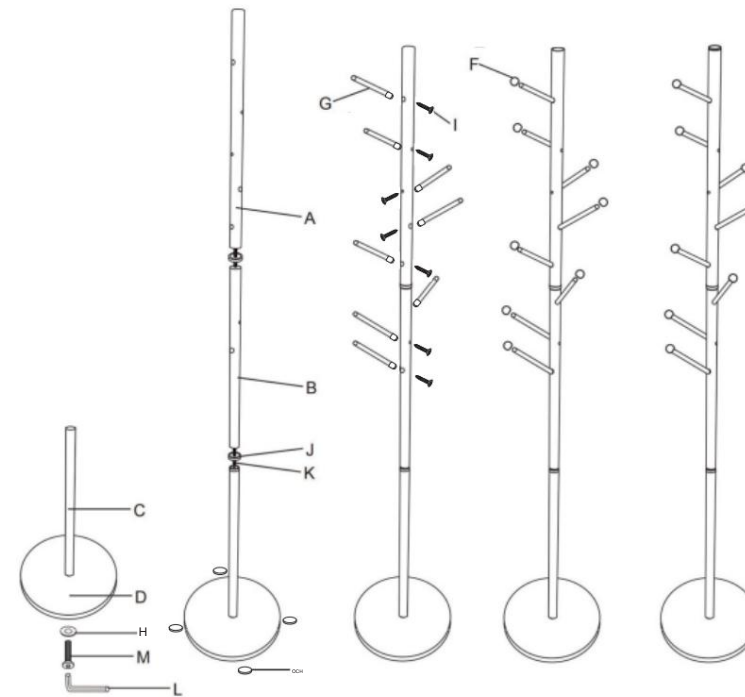
Detta är originalinstruktionerna, vänligen läs alla instruktioner noggrant innan användning. VEVOR förbehåller sig en tydlig tolkning av vår användarmanual. Utseendet - Produktens kvalitet ska vara beroende av den produkt du mottagit. Vi ber om ursäkt för att vi inte kommer att informera dig igen om det finns några teknik- eller programuppdateringar för vår produkt. **Tillverkad i Kina**














VEVOR

Affordable. Reliable. Home Improvement.

KAPHYLLA

Modell: GH-L618



A		1
B		1
C		1
D		1
E		4
F		8
G		8
H		1
I		8
J		2
K		2
L		1
M		1

Tips:

1. Kontrollera alla delar enligt reservdelslistan och verifiera att delarna är kompletta före installationen.
2. Montera produkten i rätt ordning enligt anvisningarna.



VARNING:

Läs detta material innan du använder produkten. Underlåtenhet att göra det kan leda till allvarliga skador.

Monteringsförsiktighetsåtgärder

1. Montera endast enligt dessa instruktioner. Felaktig montering kan skapa risker.
2. Använd ANSI-godkända skyddsglasögon och kraftiga arbetshandskar under monteringen.
3. Håll samlingsområdet rent och väl upplyst.
4. Håll åskådare borta från området under monteringen.
5. Samlas inte när du är trött eller påverkad av alkohol, droger eller medicinering.
6. Produktens egenskaper gäller endast korrekt och fullständigt monterade produkter.
7. För ytterligare information om delarna som listas på följande sidor, se monteringsdiagrammet i denna manual. Packa upp och separera alla delar på en ren arbetsyta.

Använd försiktighetsåtgärder

1. Använd inte denna produkt för något ändamål som inte uttryckligen anges av tillverkaren. Tillverkaren ansvarar inte för skador eller personskador som orsakats av felaktig montering eller användning.
2. Kontrollera före varje användning; använd inte om delar är lösa eller skadade.

SPARA DESSA INSTRUKTIONER

Tillverkare: Shanghaimuxinmuyeyouxiangongsi

Adress: Shuangchenglu 803nong11hao1602A-1609shi, Baoshanqu, Shanghai 200000 CN.

Importerad till Australien: SIHAO PTY LTD.

1 ROKEVA STREET EASTWOOD NSW 2122 Australien

Importerad till USA: Sanven Technology Ltd.

Svit 250, 9166 Anaheim Place, Rancho Cucamonga, CA 91730

EC REP E-CrossStu GmbH
Mainzer Landstr.69,
60329 Frankfurt am Main.

UK REP YH CONSULTING LIMITED.
C/O YH Consulting Limited Kontor 147, Centurion
House, London Road, Staines-upon-
Thames, Surrey, TW18 4AX

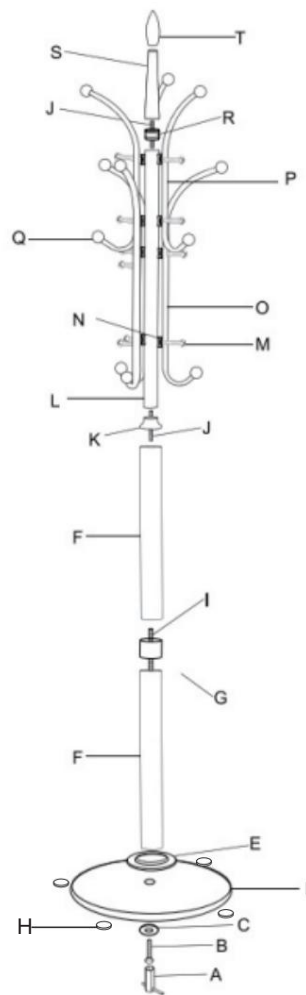
Detta är originalinstruktionerna, vänligen läs alla instruktioner noggrant innan användning. VEVOR förbehåller sig en tydlig tolkning av vår användarmanual. Utseendet - Produktens kvalitet ska vara beroende av den produkt du mottagit. Vi ber om ursäkt för att vi inte kommer att informera dig igen om det finns några teknik- eller programuppdateringar för vår produkt. **Tillverkad i Kina**

Artikelnummer 1: GH-6206S

VEVOR

Affordable. Reliable. Home Improvement.

Modell: GH-6206s



A		1
B		1
C		1
D		1
E		1
F		2
G		1
H		4
I		1
J		2
K		1
L		1
M		12
N		12
O		3
P		3
Q		12
R		1
S		1
T		1

Tips:

1. Kontrollera alla delar enligt reservdelslistan och verifiera att delarna är kompletta före installationen.
2. Montera produkten i rätt ordning enligt anvisningarna.



- Tips:
1. Kontrollera alla delar enligt reservdelslistan och verifiera att delarna är kompletta före installationen.
 2. Montera produkten i rätt ordning enligt anvisningarna.

VARNING:

Läs detta material innan du använder produkten. Underlåtenhet att göra det kan leda till allvarliga skador.

Monteringsförsiktighetsåtgärder

1. Montera endast enligt dessa instruktioner. Felaktig montering kan skapa risker.
2. Använd ANSI-godkända skyddsglasögon och kraftiga arbetshandskar under monteringen.
3. Håll samlingsområdet rent och väl upplyst.
4. Håll åskådare borta från området under monteringen.
5. Samlas inte när du är trött eller påverkad av alkohol, droger eller medicinering.
6. Produktens egenskaper gäller endast korrekt och fullständigt monterade produkter.
7. För ytterligare information om delarna som listas på följande sidor, se monteringsdiagram i denna manual. Packa upp och separera alla delar på en ren arbetsyta.

Använd försiktighetsåtgärder

1. Använd inte denna produkt för något ändamål som inte uttryckligen anges av tillverkaren. Tillverkaren ansvarar inte för skador eller personskador som orsakats av felaktig montering eller användning.
2. Kontrollera före varje användning; använd inte om delar är lösa eller skadade.

SPARA DESSA INSTRUKTIONER

Tillverkare: Shanghai muxin muyeyouxiangongsi

Adress: Shuangchenglu 803nong11hao1602A-1609shi, Baoshanqu, Shanghai 200000 CN.

Importerad till Australien: SIHAO PTY LTD.

1 ROKEVA STREET EASTWOOD NSW 2122 Australien

Importerad till USA: Sanven Technology Ltd.

Svit 250, 9166 Anaheim Place, Rancho Cucamonga, CA 91730

EC REP E-CrossStu GmbH
Mainzer Landstr.69,
60329 Frankfurt am Main.

UK REP YH CONSULTING LIMITED.
C/O YH Consulting Limited Kontor 147, Centurion
House, London Road, Staines-upon-
Thames, Surrey, TW18 4AX

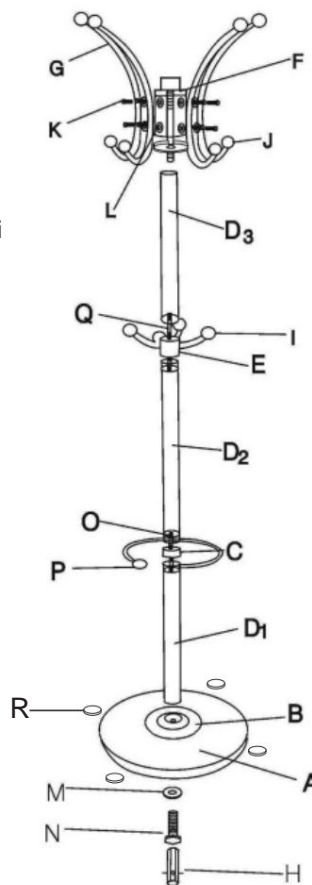
Detta är originalinstruktionerna, vänligen läs alla instruktioner noggrant innan användning. VEVOR förbehåller sig en tydlig tolkning av vår användarmanual. Utseendet - Produktens kvalitet ska vara beroende av den produkt du mottagit. Vi ber om ursäkt för att vi inte kommer att informera dig igen om det finns några teknik- eller programuppdateringar för vår produkt. **Tillverkad i Kina**

VEVOR

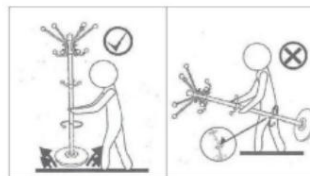
Affordable. Reliable. Home Improvement.

KAPHYLLA

Modell: GH-8617



A		1
B		1
C		1
D		3
E		1
F		1
G		5
H		1
I		4
J		10
K		10
L		10
M		1
N		1
O		1
P		1
Q		1
R		4



Monteringsförsiktighetsåtgärder

1. Montera endast enligt dessa instruktioner. Felaktig montering kan skapa risker.
2. Använd ANSI-godkända skyddsglasögon och kraftiga arbetshandskar under monteringen.
3. Håll samlingsområdet rent och väl upplyst.
4. Håll åskådare borta från området under monteringen.
5. Samlas inte när du är trött eller påverkad av alkohol, droger eller medicinering.
6. Produktens egenskaper gäller endast korrekt och fullständigt monterade produkter.
7. För ytterligare information om delarna som listas på följande sidor, se monteringsdiagrammet i denna manual. Packa upp och separera alla delar på en ren arbetsyta.

Använd försiktighetsåtgärder

1. Använd inte denna produkt för något ändamål som inte uttryckligen anges av tillverkaren. Tillverkaren ansvarar inte för skador eller personskador som orsakats av felaktig montering eller användning.
2. Kontrollera före varje användning; använd inte om delar är lösa eller skadade.

SPARA DESSA INSTRUKTIONER

Tillverkare: Shanghai muxinmuyeyouxiangongsi

Adress: Shuangchenglu 803nong11hao1602A-1609shi, Baoshanqu, Shanghai 200000 CN.

Importerad till Australien: SIHAO PTY LTD.

1 ROKEVA STREET EASTWOOD NSW 2122 Australien

Importerad till USA: Sanven Technology Ltd.

Svit 250, 9166 Anaheim Place, Rancho Cucamonga, CA 91730

EC REP E-CrossStu GmbH
Mainzer Landstr.69,
60329 Frankfurt am Main.

UK REP YH CONSULTING LIMITED.
C/O YH Consulting Limited Kontor 147, Centurion
House, London Road, Staines-upon-
Thames, Surrey, TW18 4AX

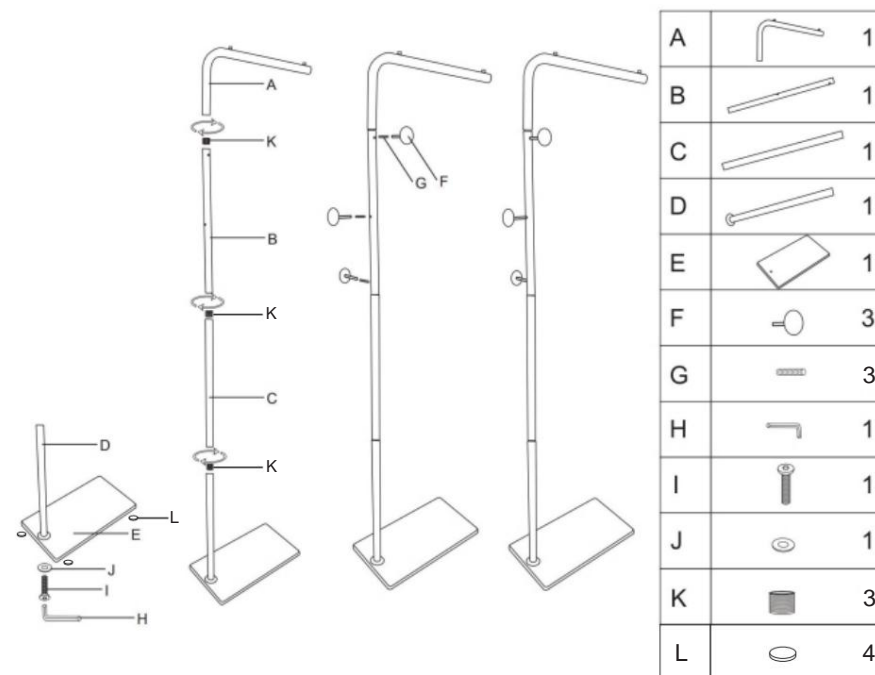
Detta är originalinstruktionerna, vänligen läs alla instruktioner noggrant innan användning. VEVOR förbehåller sig en tydlig tolkning av vår användarmanual. Utseendet - Produktens kvalitet ska vara beroende av den produkt du mottagit. Vi ber om ursäkt för att vi inte kommer att informera dig igen om det finns några teknik- eller programuppdateringar för vår produkt. **Tillverkad i Kina**

VEVOR

Affordable. Reliable. Home Improvement.

KAPHYLLA

Modell: GH-L619



Tips:

1. Kontrollera alla delar enligt reservdelslistan och verifiera att delarna är kompletta före installationen.

2. Montera produkten i rätt ordning enligt anvisningarna.

VARNING:

Läs detta material innan du använder produkten. Underlåtenhet att göra det kan leda till allvarliga skador.



Tips:

1. Kontrollera alla delar enligt reservdelslistan och verifiera att delarna är kompletta före installationen.
2. Montera produkten i rätt ordning enligt anvisningarna.

VARNING:

Läs detta material innan du använder produkten. Underlåtenhet att göra det kan leda till allvarliga skador.

Monteringsförsiktighetsåtgärder

1. Montera endast enligt dessa instruktioner. Felaktig montering kan skapa risker.
2. Använd ANSI-godkända skyddsglasögon och kraftiga arbetshandskar under monteringen.
3. Håll samlingsområdet rent och väl upplyst.
4. Håll åskådare borta från området under monteringen.
5. Samlas inte när du är trött eller påverkad av alkohol, droger eller medicinering.
6. Produktens egenskaper gäller endast korrekt och fullständigt monterade produkter.
7. För ytterligare information om delarna som listas på följande sidor, se monteringsdiagrammet i denna manual. Packa upp och separera alla delar på en ren arbetsyta.

Använd försiktighetsåtgärder

1. Använd inte denna produkt för något ändamål som inte uttryckligen anges av tillverkaren. Tillverkaren ansvarar inte för skador eller personskador som orsakats av felaktig montering eller användning.
2. Kontrollera före varje användning; använd inte om delar är lösa eller skadade.

SPARA DESSA INSTRUKTIONER

Tillverkare: Shanghai muxinmuyeyouxiangongsi

Adress: Shuangchenglu 803nong11hao1602A-1609shi, Baoshanqu, Shanghai 200000 CN.

Importerad till Australien: SIHAO PTY LTD.

1 ROKEVA STREET EASTWOOD NSW 2122 Australien

Importerad till USA: Sanven Technology Ltd.

Svit 250, 9166 Anaheim Place, Rancho Cucamonga, CA 91730

EC REP E-CrossStu GmbH
Mainzer Landstr.69,
60329 Frankfurt am Main.

UK REP YH CONSULTING LIMITED.
C/O YH Consulting Limited Kontor 147, Centurion
House, London Road, Staines-upon-
Thames, Surrey, TW18 4AX

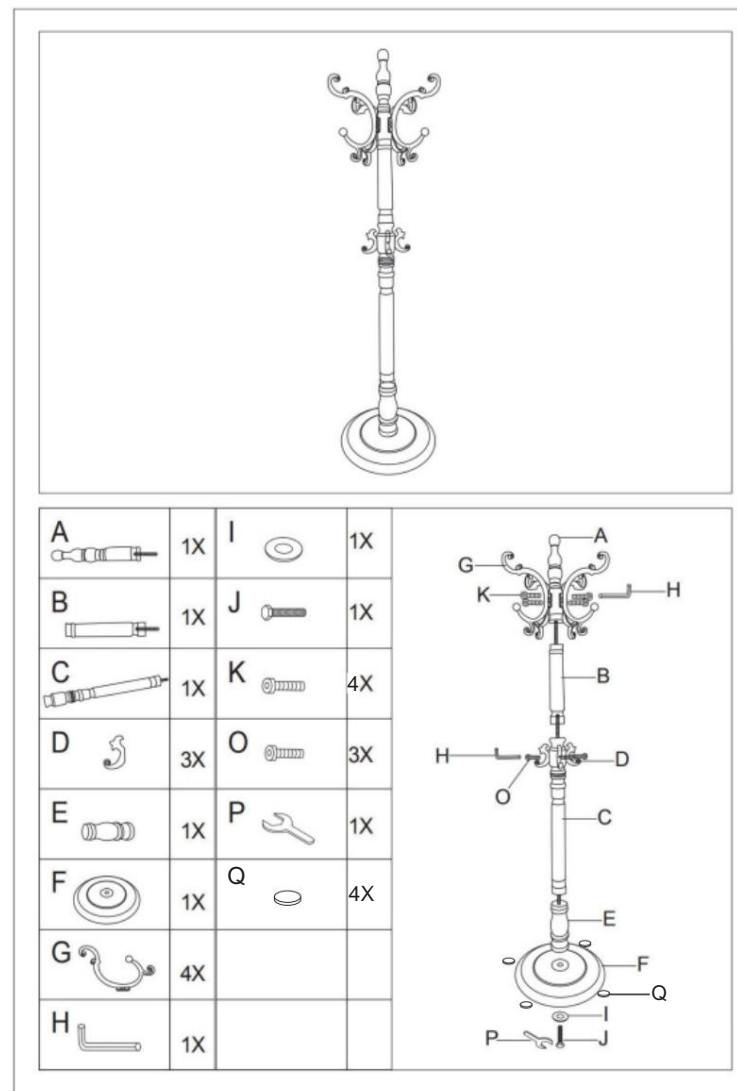
Detta är originalinstruktionerna, vänligen läs alla instruktioner noggrant innan användning. VEVOR förbehåller sig en tydlig tolkning av vår användarmanual. Utseendet - Produktens kvalitet ska vara beroende av den produkt du mottagit. Vi ber om ursäkt för att vi inte kommer att informera dig igen om det finns några teknik- eller programuppdateringar för vår produkt. Tillverkad i Kina

VEVOR

Affordable. Reliable. Home Improvement.

KAPHYLLA

Modell: M-52



VARNING:

Läs detta material innan du använder produkten. Underlåtenhet att göra det kan leda till allvarliga skador.

Monteringsförsiktighetsåtgärder

1. Montera endast enligt dessa instruktioner. Felaktig montering kan skapa risker.
2. Använd ANSI-godkända skyddsglasögon och kraftiga arbetshandskar under monteringen.
3. Håll samlingsområdet rent och väl upplyst.
4. Håll åskådare borta från området under monteringen.
5. Samlas inte när du är trött eller påverkad av alkohol, droger eller medicinering.
6. Produktens egenskaper gäller endast korrekt och fullständigt monterade produkter.
7. För ytterligare information om delarna som listas på följande sidor, se monteringsdiagrammet i denna manual. Packa upp och separera alla delar på en ren arbetsyta.

Använd försiktighetsåtgärder

1. Använd inte denna produkt för något ändamål som inte uttryckligen anges av tillverkaren. Tillverkaren ansvarar inte för skador eller personskador som orsakats av felaktig montering eller användning.
2. Kontrollera före varje användning; använd inte om delar är lösa eller skadade.

SPARA DESSA INSTRUKTIONER

Tillverkare: Shanghai muxinmuyeyouxiangongsi

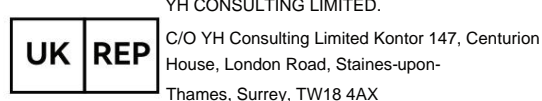
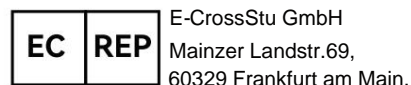
Adress: Shuangchenglu 803nong11hao1602A-1609shi, Baoshanqu, Shanghai 200000 CN.

Importerad till Australien: SIHAO PTY LTD.

1 ROKEVA STREET EASTWOOD NSW 2122 Australien

Importerad till USA: Sanven Technology Ltd.

Svit 250, 9166 Anaheim Place, Rancho Cucamonga, CA 91730



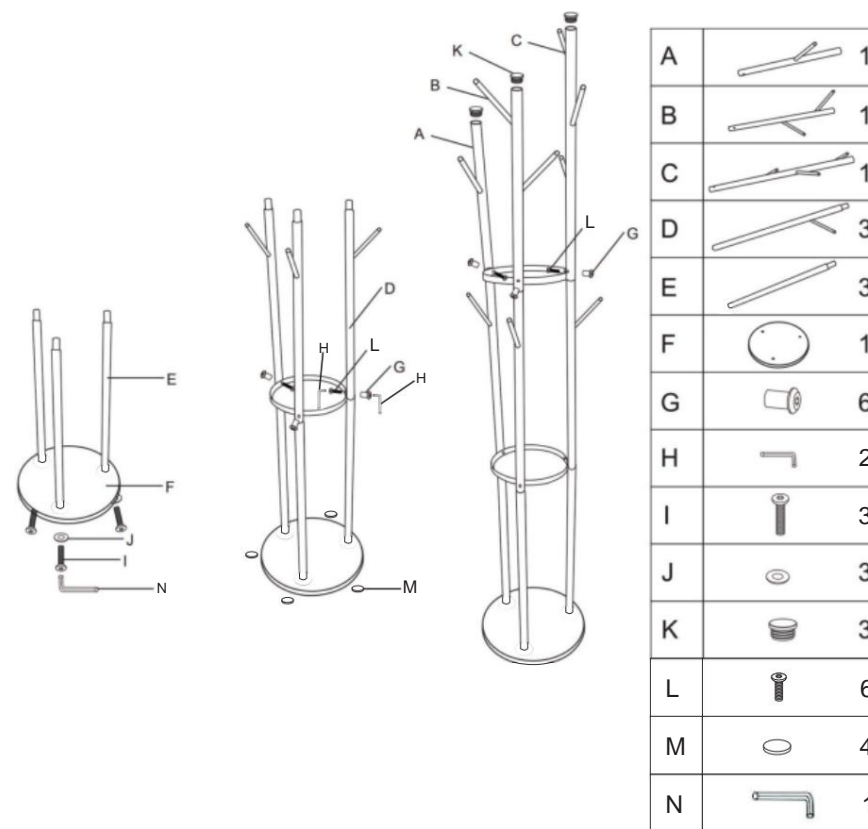
Detta är originalinstruktionerna, vänligen läs alla instruktioner noggrant innan användning. VEVOR förbehåller sig en tydlig tolkning av vår användarmanual. Utseendet - Produktens kvalitet ska vara beroende av den produkt du mottagit. Vi ber om ursäkt för att vi inte kommer att informera dig igen om det finns några teknik- eller programuppdateringar för vår produkt. **Tillverkad i Kina**

VEVOR

Affordable. Reliable. Home Improvement.

KAPHYLLA

Modell: GH-620



Tips:

1. Kontrollera alla delar enligt reservdelslistan och verifiera att delarna är kompletta före installationen.
2. Montera produkten i rätt ordning enligt anvisningarna.



Tips:

1. Kontrollera alla delar enligt reservdelslistan och verifiera att delarna är kompletta före installationen.
2. Montera produkten i rätt ordning enligt anvisningarna.

WARNING:

Läs detta material innan du använder produkten. Underlåtenhet att göra det kan leda till allvarliga skador.

Monteringsförsiktighetsåtgärder

1. Montera endast enligt dessa instruktioner. Felaktig montering kan skapa risker.

2. Använd ANSI-godkända skyddsglasögon och kraftiga arbetshandskar under monteringen.

3. Håll samlingsområdet rent och väl upplyst.

4. Håll åskådare borta från området under monteringen.

5. Samlas inte när du är trött eller påverkad av alkohol, droger eller medicinering.

6. Produktens egenskaper gäller endast korrekt och fullständigt monterade produkter.

7. För ytterligare information om delarna som listas på följande sidor, se monteringsdiagram i denna manual. Packa upp och separera alla delar på en ren arbetsyta.

Använd försiktighetsåtgärder

1. Använd inte denna produkt för något ändamål som inte uttryckligen anges av tillverkaren. Tillverkaren ansvarar inte för skador eller personskador som orsakats av felaktig montering eller användning.
2. Kontrollera före varje användning; använd inte om delar är lösa eller skadade.

SPARA DESSA INSTRUKTIONER

Tillverkare: Shanghaimuxinmuyeyouxiangongsi

Adress: Shuangchenglu 803nong11hao1602A-1609shi, Baoshanqu, Shanghai 200000 CN.

Importerad till Australien: SIHAO PTY LTD.

1 ROKEVA STREETEASTWOOD NSW 2122 Australien

Importerad till USA: Sanven Technology Ltd.

Svit 250, 9166 Anaheim Place, Rancho Cucamonga, CA 91730

EC REP E-CrossStu GmbH
Mainzer Landstr.69,
60329 Frankfurt am Main.

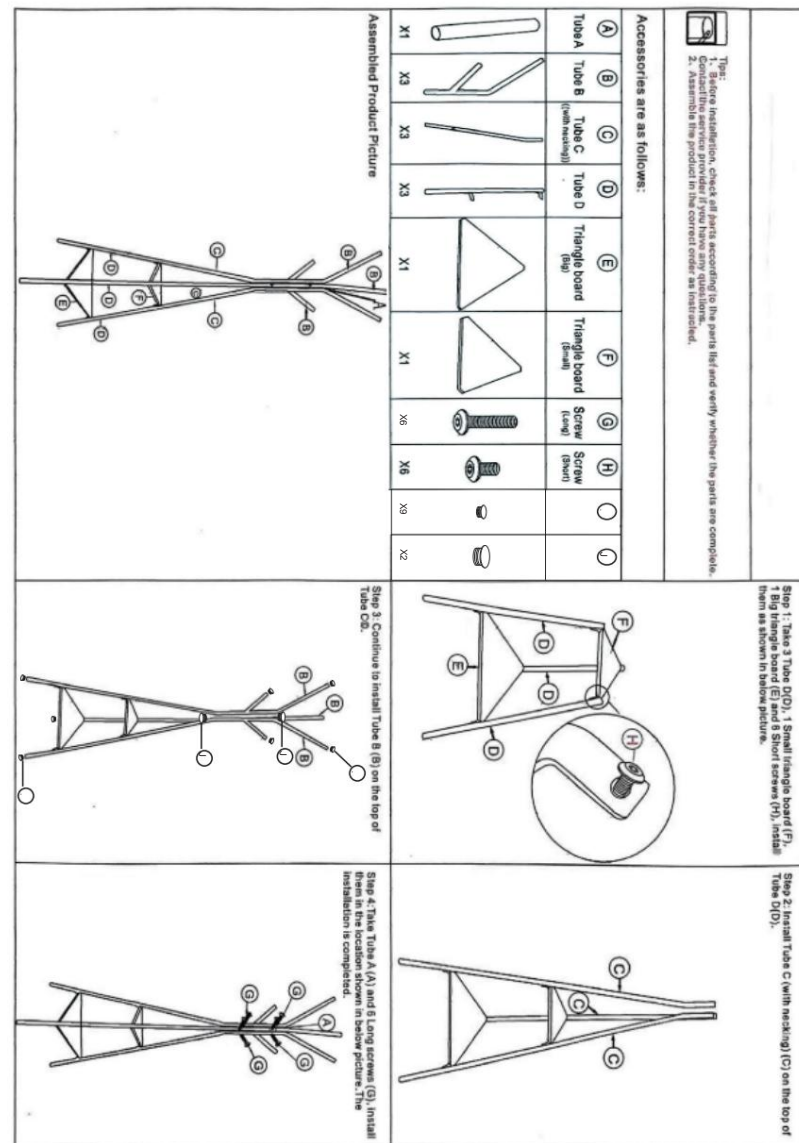
UK REP YH CONSULTING LIMITED.
C/O YH Consulting Limited Kontor 147, Centurion
House, London Road, Staines-upon-
Thames, Surrey, TW18 4AX

Detta är originalinstruktionerna, vänligen läs alla instruktioner noggrant innan användning. VEVOR förbehåller sig en tydlig tolkning av vår användarmanual. Utseendet - Produktens kvalitet ska vara beroende av den produkt du mottagit. Vi ber om ursäkt för att vi inte kommer att informera dig igen om det finns några teknik- eller programuppdateringar för vår produkt. **Tillverkad i Kina**

VEVOR

Affordable. Reliable. Home Improvement.

KAPHYLLA Modell: GH-309



ADVERTENCIA:

Lea este material antes de usar este producto. De lo contrario, podría sufrir lesiones graves.

Precauciones de montaje

1. Ensamble únicamente según estas instrucciones. Un montaje incorrecto puede causar peligros.
2. Use gafas de seguridad aprobadas por ANSI y guantes de trabajo resistentes durante el montaje.
3. Mantenga el área de montaje limpia y bien iluminada.
4. Mantenga a los transeúntes fuera del área durante el montaje.
5. No se reúna cuando esté cansado o bajo la influencia del alcohol, drogas o medicamentos.

6. Las capacidades del producto se aplican únicamente a productos ensamblados correcta y completamente.
7. Para obtener más información sobre las piezas que se enumeran en las páginas siguientes, consulte el diagrama de montaje de este manual. Desembale y separe todas las piezas en un área de trabajo limpia.

Precauciones de uso

1. No utilice este producto para ningún fin que no esté especificado explícitamente por el fabricante. El fabricante no se responsabiliza de los daños o lesiones causados por un montaje o uso incorrectos.
2. Inspeccione antes de cada uso; no lo utilice si las piezas están sueltas o dañadas.

GUARDE ESTAS INSTRUCCIONES

Fabricante: Shanghaimuxinmuyeyouxiangongsi

Dirección: Shuangchenglu 803nong11hao1602A-1609shi, Baoshanqu, Shanghai 200000 CN.

Importado a AUS: SIHAO PTY LTD.

1 ROKEVA STREET, EASTWOOD, NSW 2122, Australia

Importado a EE.UU.: Sanven Technology Ltd.

Suite 250, 9166 Anaheim Place, Rancho Cucamonga, CA 91730

EC REP E-CrossStu GmbH
Mainzer Landstr.69,
60329 Fráncfort del Meno.

UK REP YH CONSULTING LIMITADA.
C/O YH Consulting Limited Oficina 147,
Centurion House, London Road,
Staines-upon-Thames, Surrey, TW18 4AX

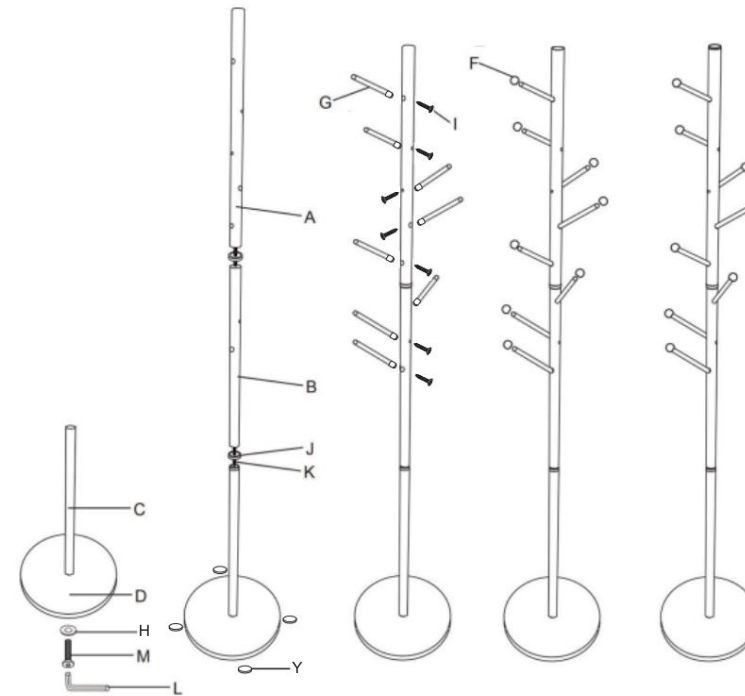
Estas son las instrucciones originales. Lea atentamente todas las instrucciones del manual antes de utilizarlo. VEVOR se reserva el derecho de interpretar este manual de usuario. La durabilidad del producto dependerá del producto que usted recibió. Le rogamos que nos disculpe por no informarle nuevamente si hay actualizaciones tecnológicas o de software en nuestro producto. Hecho en china

VEVOR

Affordable. Reliable. Home Improvement.

PERCHERO

Modelo: GH-L618



A		1
B		1
C		1
D		1
E		4
F		8
G		8
H		1
I		8
J		2
K		2
L		1
M		1

Consejos:

1. Antes de la instalación, verifique todas las piezas de acuerdo con la lista de piezas y verifique que las piezas estén completas.
2. Ensamble el producto en el orden correcto según las instrucciones.



ADVERTENCIA:

Lea este material antes de usar este producto. De lo contrario, podría sufrir lesiones graves.

Precauciones de montaje

1. Ensamble únicamente según estas instrucciones. Un montaje incorrecto puede causar peligros.
2. Use gafas de seguridad aprobadas por ANSI y guantes de trabajo resistentes durante el montaje.
3. Mantenga el área de montaje limpia y bien iluminada.
4. Mantenga a los transeúntes fuera del área durante el montaje.
5. No se reúna cuando esté cansado o bajo la influencia del alcohol, drogas o medicamentos.

6. Las capacidades del producto se aplican únicamente a productos ensamblados correcta y completamente.
7. Para obtener más información sobre las piezas que se enumeran en las páginas siguientes, consulte el diagrama de montaje de este manual. Desembale y separe todas las piezas en un área de trabajo limpia.

Precauciones de uso

1. No utilice este producto para ningún fin que no esté especificado explícitamente por el fabricante. El fabricante no se responsabiliza de los daños o lesiones causados por un montaje o uso incorrectos.
2. Inspeccione antes de cada uso; no lo utilice si las piezas están sueltas o dañadas.

GUARDE ESTAS INSTRUCCIONES

Fabricante: Shanghaimuxinmuyeyouxiangongsi

Dirección: Shuangchenglu 803nong11hao1602A-1609shi, Baoshanqu, Shanghai 200000 CN.

Importado a AUS: SIHAO PTY LTD.

1 ROKEVA STREET, EASTWOOD, NSW 2122, Australia

Importado a EE.UU.: Sanven Technology Ltd.

Suite 250, 9166 Anaheim Place, Rancho Cucamonga, CA 91730

EC	REP	E-CrossStu GmbH Mainzer Landstr.69, 60329 Fráncfort del Meno.
-----------	------------	---

UK	REP	YH CONSULTING LIMITADA. C/O YH Consulting Limited Oficina 147, Centurion House, London Road, Staines-upon-Thames, Surrey, TW18 4AX
-----------	------------	---

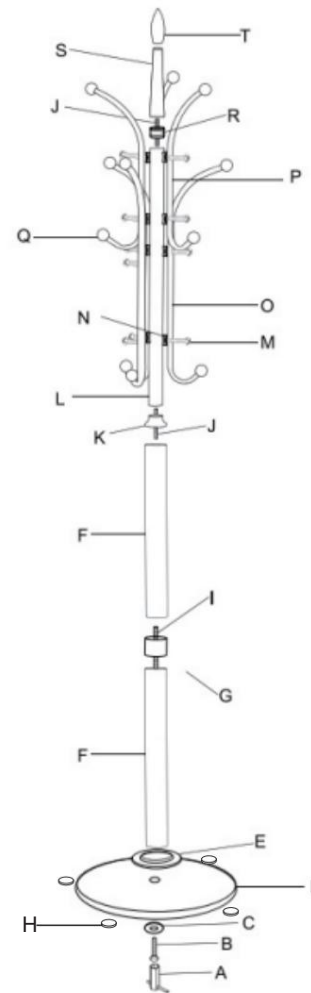
Estas son las instrucciones originales. Lea atentamente todas las instrucciones del manual antes de utilizarlo. VEVOR se reserva el derecho de interpretar este manual de usuario. La durabilidad del producto dependerá del producto que usted recibió. Le rogamos que nos disculpe por no informarle nuevamente si hay actualizaciones tecnológicas o de software en

SKU1:GH-6206S

VEVOR

Affordable. Reliable. Home Improvement.

Modelo: GH-6206s



A		1
B		1
C		1
D		1
E		1
F		2
G		1
H		4
I		1
J		2
K		1
L		1
M		12
N		12
O		3
P		3
Q		12
R		1
S		1
T		1

Consejos:

1. Antes de la instalación, verifique todas las piezas de acuerdo con la lista de piezas y verifique que las piezas estén completas.
2. Ensamble el producto en el orden correcto según las instrucciones.



1. Antes de la instalación, verifique todas las piezas de acuerdo con la lista de piezas y verifique que las piezas estén completas.
2. Ensamble el producto en el orden correcto según las instrucciones.

ADVERTENCIA:

Lea este material antes de usar este producto. De lo contrario, podría sufrir lesiones graves.

Precauciones de montaje

1. Ensamble únicamente según estas instrucciones. Un montaje incorrecto puede causar peligros.
2. Use gafas de seguridad aprobadas por ANSI y guantes de trabajo resistentes durante el montaje.
3. Mantenga el área de montaje limpia y bien iluminada.
4. Mantenga a los transeúntes fuera del área durante el montaje.
5. No se reúna cuando esté cansado o bajo la influencia del alcohol, drogas o medicamentos.

6. Las capacidades del producto se aplican únicamente a productos ensamblados correcta y completamente.
7. Para obtener más información sobre las piezas que se enumeran en las páginas siguientes, consulte el diagrama de montaje de este manual. Desembale y separe todas las piezas en un área de trabajo limpia.

Precauciones de uso

1. No utilice este producto para ningún fin que no esté especificado explícitamente por el fabricante. El fabricante no se responsabiliza de los daños o lesiones causados por un montaje o uso incorrectos.
2. Inspeccione antes de cada uso; no lo utilice si las piezas están sueltas o dañadas.

GUARDE ESTAS INSTRUCCIONES

Fabricante: Shanghaimuxinmuyeyouxiangongsi
 Dirección: Shuangchenglu 803nong11hao1602A-1609shi, Baoshanqu, Shanghai 200000 CN.
 Importado a AUS: SIHAO PTY LTD.
 1 ROKEVA STREET, EASTWOOD, NSW 2122, Australia
 Importado a EE.UU.: Sanven Technology Ltd.
 Suite 250, 9166 Anaheim Place, Rancho Cucamonga, CA 91730

EC REP E-CrossStu GmbH
 Mainzer Landstr.69,
 60329 Fráncfort del Meno.

UK REP YH CONSULTING LIMITADA.
 C/O YH Consulting Limited Oficina 147,
 Centurion House, London Road,
 Staines-upon-Thames, Surrey, TW18 4AX

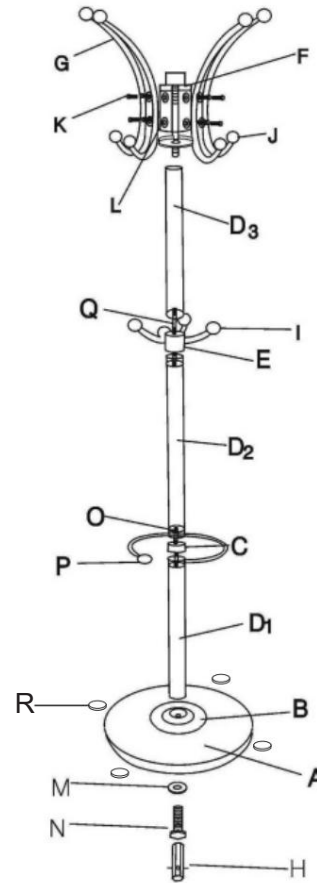
Estas son las instrucciones originales. Lea atentamente todas las instrucciones del manual antes de utilizarlo. VEVOR se reserva el derecho de interpretar este manual de usuario. La durabilidad del producto dependerá del producto que usted recibió. Le rogamos que nos disculpe por no informarle nuevamente si hay actualizaciones tecnológicas o de software en nuestro producto. Hecho en china

VEVOR

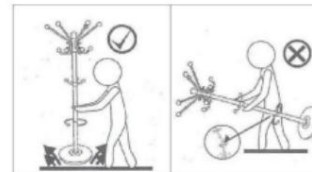
Affordable. Reliable. Home Improvement.

PERCHERO

Modelo: GH-8617



A		1
B		1
C		1
D		3
E		1
F		1
G		5
H		1
I		4
J		10
K		10
L		10
M		1
N		1
O		1
P		1
Q		1
R		4



VEVOR

Affordable. Reliable. Home Improvement.

PERCHERO

Modelo: GH-L619

Precauciones de montaje

1. Ensamble únicamente según estas instrucciones. Un montaje incorrecto puede causar peligros.
2. Use gafas de seguridad aprobadas por ANSI y guantes de trabajo resistentes durante el montaje.
3. Mantenga el área de montaje limpia y bien iluminada.
4. Mantenga a los transeúntes fuera del área durante el montaje.
5. No se reúna cuando esté cansado o bajo la influencia del alcohol, drogas o medicamentos.

6. Las capacidades del producto se aplican únicamente a productos ensamblados correcta y completamente.
7. Para obtener más información sobre las piezas que se enumeran en las páginas siguientes, consulte el diagrama de montaje de este manual. Desembale y separe todas las piezas en un área de trabajo limpia.

Precauciones de uso

1. No utilice este producto para ningún fin que no esté especificado explícitamente por el fabricante. El fabricante no se responsabiliza de los daños o lesiones causados por un montaje o uso incorrectos.
2. Inspeccione antes de cada uso; no lo utilice si las piezas están sueltas o dañadas.

GUARDE ESTAS INSTRUCCIONES

Fabricante: Shanghai muxinmuyeyouxiangongsi

Dirección: Shuangchenglu 803nong11hao1602A-1609shi, Baoshanqu, Shanghai 200000 CN.

Importado a AUS: SIHAO PTY LTD.

1 ROKEVA STREET, EASTWOOD, NSW 2122, Australia

Importado a EE.UU.: Sanven Technology Ltd.

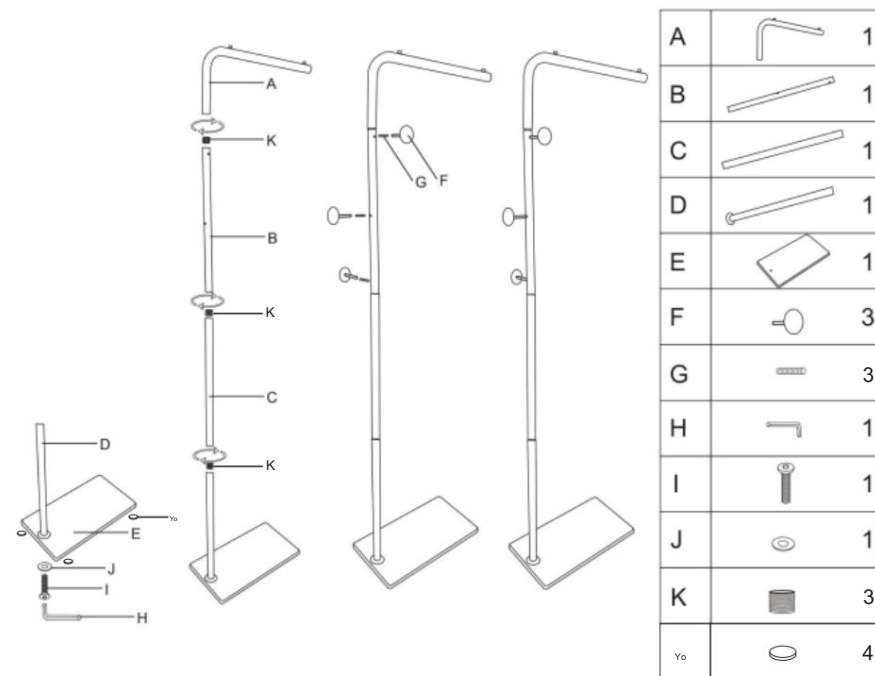
Suite 250, 9166 Anaheim Place, Rancho Cucamonga, CA 91730

EC REP E-CrossStu GmbH
Mainzer Landstr.69,
60329 Fráncfort del Meno.

UK REP YH CONSULTING LIMITADA.
C/O YH Consulting Limited Oficina 147,
Centurion House, London Road,
Staines-upon-Thames, Surrey, TW18 4AX

Estas son las instrucciones originales. Lea atentamente todas las instrucciones del manual antes de utilizarlo. VEVOR se reserva el derecho de interpretar este manual de usuario.

La durabilidad del producto dependerá del producto que usted recibió. Le rogamos que nos disculpe por no informarle nuevamente si hay actualizaciones tecnológicas o de software en nuestro producto hecho en china



Consejos:

1. Antes de la instalación, verifique todas las piezas de acuerdo con la lista de piezas y verifique que las piezas estén completas.

2. Ensamble el producto en el orden correcto según las instrucciones.

ADVERTENCIA:

Lea este material antes de usar este producto. De lo contrario, podría sufrir lesiones graves.



1. Antes de la instalación, verifique todas las piezas de acuerdo con la lista de piezas y verifique que las piezas estén completas.
2. Ensamble el producto en el orden correcto según las instrucciones.

ADVERTENCIA:

Lea este material antes de usar este producto. De lo contrario, podría sufrir lesiones graves.

Precauciones de montaje

1. Ensamble únicamente según estas instrucciones. Un montaje incorrecto puede causar peligros.
2. Use gafas de seguridad aprobadas por ANSI y guantes de trabajo resistentes durante el montaje.
3. Mantenga el área de montaje limpia y bien iluminada.
4. Mantenga a los transeúntes fuera del área durante el montaje.
5. No se reúna cuando esté cansado o bajo la influencia del alcohol, drogas o medicamentos.

6. Las capacidades del producto se aplican únicamente a productos ensamblados correcta y completamente.
7. Para obtener más información sobre las piezas que se enumeran en las páginas siguientes, consulte el diagrama de montaje de este manual. Desembale y separe todas las piezas en un área de trabajo limpia.

Precauciones de uso

1. No utilice este producto para ningún fin que no esté especificado explícitamente por el fabricante. El fabricante no se responsabiliza de los daños o lesiones causados por un montaje o uso incorrectos.
2. Inspeccione antes de cada uso; no lo utilice si las piezas están sueltas o dañadas.

GUARDE ESTAS INSTRUCCIONES

Fabricante: Shanghai muxinmuyeyouxiangongsi

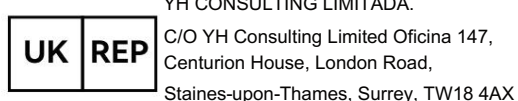
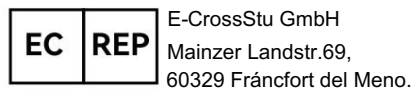
Dirección: Shuangchenglu 803nong11hao1602A-1609shi, Baoshanqu, Shanghai 200000 CN.

Importado a AUS: SIHAO PTY LTD.

1 ROKEVA STREET, EASTWOOD, NSW 2122, Australia

Importado a EE.UU.: Sanven Technology Ltd.

Suite 250, 9166 Anaheim Place, Rancho Cucamonga, CA 91730



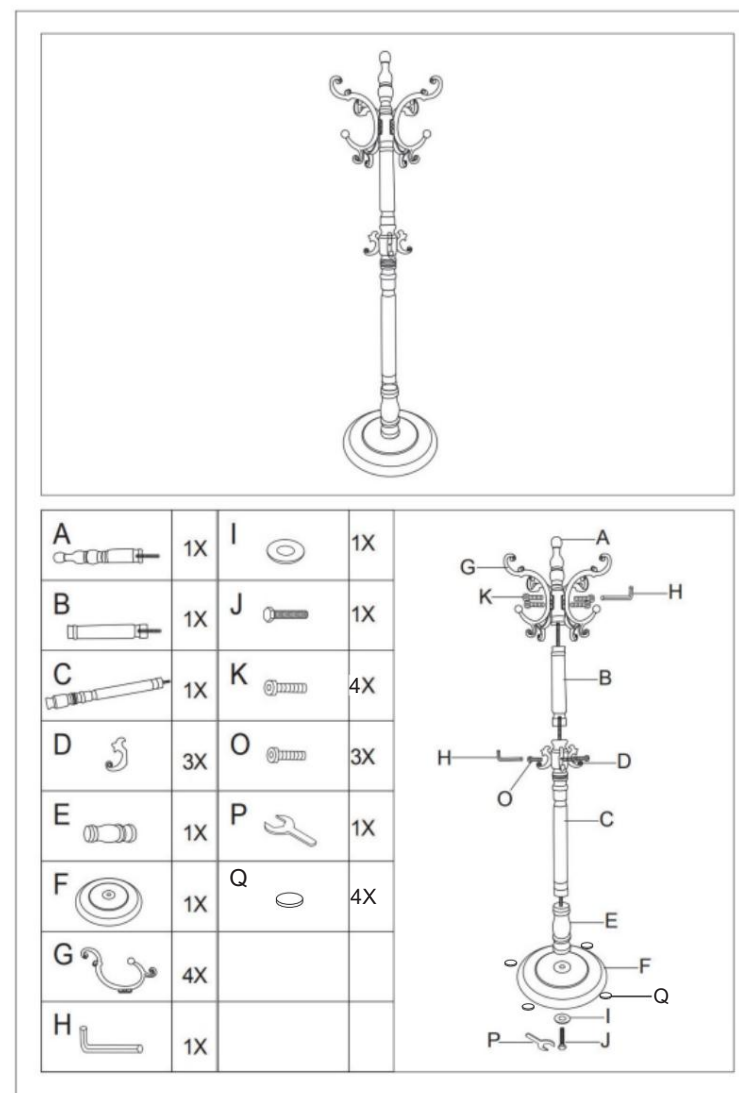
Estas son las instrucciones originales. Lea atentamente todas las instrucciones del manual antes de utilizarlo. VEVOR se reserva el derecho de interpretar este manual de usuario. La durabilidad del producto dependerá del producto que usted recibió. Le rogamos que nos disculpe por no informarle nuevamente si hay actualizaciones tecnológicas o de software en nuestro producto hecho en china

VEVOR

Affordable. Reliable. Home Improvement.

PERCHERO

Modelo: M-52



ADVERTENCIA:

Lea este material antes de usar este producto. De lo contrario, podría sufrir lesiones graves.

Precauciones de montaje

1. Ensamble únicamente según estas instrucciones. Un montaje incorrecto puede causar peligros.
2. Use gafas de seguridad aprobadas por ANSI y guantes de trabajo resistentes durante el montaje.
3. Mantenga el área de montaje limpia y bien iluminada.
4. Mantenga a los transeúntes fuera del área durante el montaje.
5. No se reúna cuando esté cansado o bajo la influencia del alcohol, drogas o medicamentos.

6. Las capacidades del producto se aplican únicamente a productos ensamblados correcta y completamente.
7. Para obtener más información sobre las piezas que se enumeran en las páginas siguientes, consulte el diagrama de montaje de este manual. Desembale y separe todas las piezas en un área de trabajo limpia.

Precauciones de uso

1. No utilice este producto para ningún fin que no esté especificado explícitamente por el fabricante. El fabricante no se responsabiliza de los daños o lesiones causados por un montaje o uso incorrectos.
2. Inspeccione antes de cada uso; no lo utilice si las piezas están sueltas o dañadas.

GUARDE ESTAS INSTRUCCIONES

Fabricante: Shanghai muxinmuyeyouxiangongsi

Dirección: Shuangchenglu 803nong11hao1602A-1609shi, Baoshanqu, Shanghai 200000 CN.

Importado a AUS: SIHAO PTY LTD.

1 ROKEVA STREET, EASTWOOD, NSW 2122, Australia

Importado a EE.UU.: Sanven Technology Ltd.

Suite 250, 9166 Anaheim Place, Rancho Cucamonga, CA 91730

EC	REP	E-CrossStu GmbH Mainzer Landstr.69, 60329 Fráncfort del Meno.
-----------	------------	---

UK	REP	YH CONSULTING LIMITADA. C/O YH Consulting Limited Oficina 147, Centurion House, London Road, Staines-upon-Thames, Surrey, TW18 4AX
-----------	------------	---

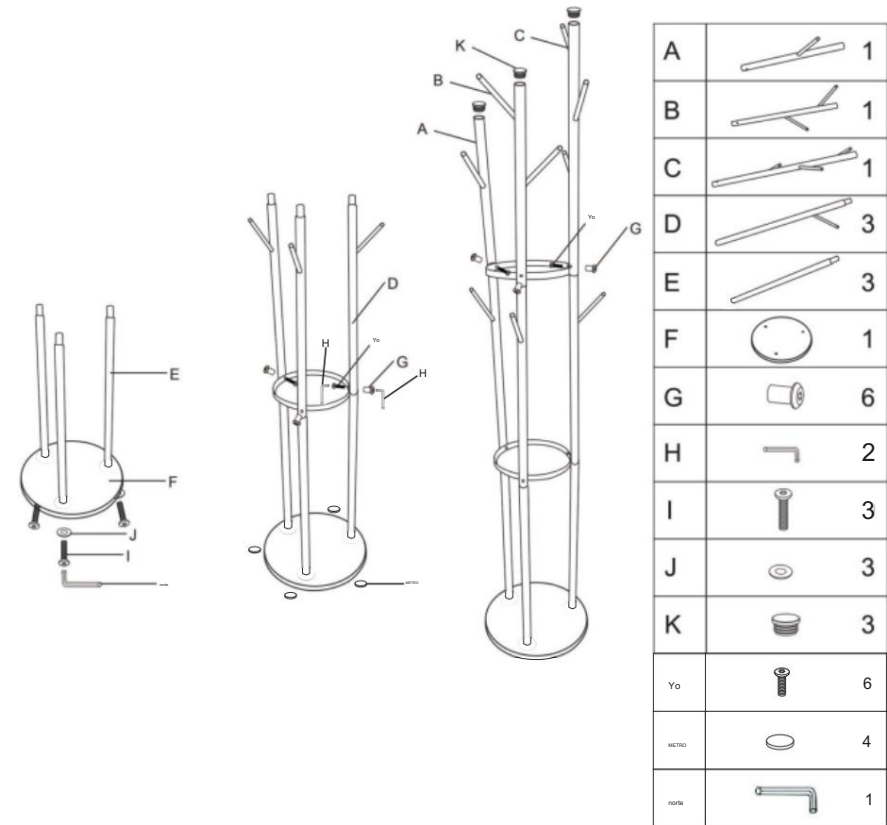
Estas son las instrucciones originales. Lea atentamente todas las instrucciones del manual antes de utilizarlo. VEVOR se reserva el derecho de interpretar este manual de usuario. La durabilidad del producto dependerá del producto que usted recibió. Le rogamos que nos disculpe por no informarle nuevamente si hay actualizaciones tecnológicas o de software en nuestro producto hecho en china

VEVOR

Affordable. Reliable. Home Improvement.

PERCHERO

Modelo: GH-620



Consejos:

1. Antes de la instalación, verifique todas las piezas de acuerdo con la lista de piezas y verifique que las piezas estén completas.
2. Ensamble el producto en el orden correcto según las instrucciones.



1. Antes de la instalación, verifique todas las piezas de acuerdo con la lista de piezas y verifique que las piezas estén completas.
2. Ensamble el producto en el orden correcto según las instrucciones.

ADVERTENCIA:

Lea este material antes de usar este producto. De lo contrario, podría sufrir lesiones graves.

Precauciones de montaje

1. Ensamble únicamente según estas instrucciones. Un montaje incorrecto puede causar peligros.
2. Use gafas de seguridad aprobadas por ANSI y guantes de trabajo resistentes durante el montaje.
3. Mantenga el área de montaje limpia y bien iluminada.
4. Mantenga a los transeúntes fuera del área durante el montaje.
5. No se reúna cuando esté cansado o bajo la influencia del alcohol, drogas o medicamentos.

6. Las capacidades del producto se aplican únicamente a productos ensamblados correcta y completamente.
7. Para obtener más información sobre las piezas que se enumeran en las páginas siguientes, consulte el diagrama de montaje de este manual. Desembale y separe todas las piezas en un área de trabajo limpia.

Precauciones de uso

1. No utilice este producto para ningún fin que no esté especificado explícitamente por el fabricante. El fabricante no se responsabiliza de los daños o lesiones causados por un montaje o uso incorrectos.
2. Inspeccione antes de cada uso; no lo utilice si las piezas están sueltas o dañadas.

GUARDE ESTAS INSTRUCCIONES

Fabricante: Shanghai muxinmuyeyouxiangongsi

Dirección: Shuangchenglu 803hong11hao1602A-1609shi, Baoshanqu, Shanghai 200000 CN.

Importado a AUS: SIHAO PTY LTD.

1 ROKEVA STREET, EASTWOOD, NSW 2122, Australia

Importado a EE.UU.: Sanven Technology Ltd.

Suite 250, 9166 Anaheim Place, Rancho Cucamonga, CA 91730

EC	REP	E-CrossStu GmbH Mainzer Landstr.69, 60329 Fráncfort del Meno.
-----------	------------	---

UK	REP	YH CONSULTING LIMITADA. C/O YH Consulting Limited Oficina 147, Centurion House, London Road, Staines-upon-Thames, Surrey, TW18 4AX
-----------	------------	---

Estas son las instrucciones originales. Lea atentamente todas las instrucciones del manual antes de utilizarlo. VEVOR se reserva el derecho de interpretar este manual de usuario. La durabilidad del producto dependerá del producto que usted recibió. Le rogamos que nos disculpe por no informarle nuevamente si hay actualizaciones tecnológicas o de software en nuestro producto hecho en china

VEVOR

Affordable. Reliable. Home Improvement.

PERCHERO Modelo: GH-309

<p>Fig: 1. Before installation, check all parts according to the parts list and verify whether the parts are complete. Contact the service provider if you have any questions. 2. Assemble the product in the correct order as listed below.</p>		<p>Accessories are as follows:</p> <table border="1"> <tr> <td>(A)</td> <td>Tube A</td> <td>(B)</td> <td>Tube B (with marking)</td> <td>(C)</td> <td>Tube C</td> <td>(D)</td> <td>Tube D</td> <td>(E)</td> <td>Triangle board (top)</td> <td>(F)</td> <td>Triangle board (left)</td> <td>(G)</td> <td>Screw (top)</td> <td>(H)</td> <td>Screw (left)</td> <td>(I)</td> <td></td> <td>(J)</td> <td></td> </tr> <tr> <td>X1</td> <td></td> <td>X3</td> <td></td> <td>X3</td> <td></td> <td>X3</td> <td></td> <td>X1</td> <td></td> <td>X1</td> <td></td> <td>X8</td> <td></td> <td>X8</td> <td></td> <td>X3</td> <td></td> <td>X2</td> <td></td> </tr> </table>		(A)	Tube A	(B)	Tube B (with marking)	(C)	Tube C	(D)	Tube D	(E)	Triangle board (top)	(F)	Triangle board (left)	(G)	Screw (top)	(H)	Screw (left)	(I)		(J)		X1		X3		X3		X3		X1		X1		X8		X8		X3		X2	
(A)	Tube A	(B)	Tube B (with marking)	(C)	Tube C	(D)	Tube D	(E)	Triangle board (top)	(F)	Triangle board (left)	(G)	Screw (top)	(H)	Screw (left)	(I)		(J)																									
X1		X3		X3		X3		X1		X1		X8		X8		X3		X2																									
<p>Assembled Product Picture</p>		<p>Step 1: Take 3 Tube (D), 1 Small Triangle board (E), 1 Tube A (A), 1 Tube B (B) and 8 Short screws (H), install them as shown in below picture.</p>																																									
<p>Step 3: Continue to install Tube B (B) on the top of Tube (D).</p>		<p>Step 2: Install Tube C (with marking) (C) on the top of Tube (D).</p>																																									
<p>Step 4: Take Tube A (A) and 8 Long screws (G), install them in the order shown in the picture. The installation is completed.</p>																																											



AVVERTIMENTO:

Leggere attentamente questo materiale prima di utilizzare il prodotto. La mancata osservanza di queste istruzioni può causare gravi lesioni.

Precauzioni di montaggio

1. Eseguire il montaggio solo seguendo queste istruzioni. Un montaggio improprio può comportare pericoli.

2. Durante il montaggio, indossare occhiali di sicurezza omologati ANSI e guanti da lavoro resistenti.

3. Mantenere l'area di assemblaggio pulita e ben illuminata.

4. Tenere gli astanti fuori dall'area durante l'assemblea.

5. Non riunirsi quando si è stanchi o sotto l'effetto di alcol, droghe o farmaci.

6. Le capacità del prodotto si applicano solo ai prodotti correttamente e completamente assemblati.

7. Per ulteriori informazioni sui componenti elencati nelle pagine seguenti, fare riferimento allo schema di montaggio di questo manuale. Disimballare e separare tutti i componenti in un'area di lavoro pulita.

Usare precauzioni

1. Non utilizzare questo prodotto per scopi diversi da quelli espressamente indicati dal produttore. Il produttore non è responsabile per danni o lesioni causati da un montaggio o un utilizzo impropri.

2. Ispezionare prima di ogni utilizzo; non utilizzare se alcune parti risultano allentate o danneggiate.

CONSERVARE QUESTE ISTRUZIONI

Produttore: Shanghaimuxinmuyeyouxiangongsi

Indirizzo: Shuangchenglu 803nong11hao1602A-1609shi, Baoshanqu, Shanghai 200000 CN.

Importato in AUS: SIHAO PTY LTD.

1 ROKEVA STREETEASTWOOD NSW 2122 Australia

Importato negli USA: Sanven Technology Ltd.

Suite 250, 9166 Anaheim Place, Rancho Cucamonga, CA 91730

EC REP E-CrossStu GmbH
Mainzer Landstr.69,
60329 Francoforte sul Meno.

UK REP YH CONSULTING LIMITED.
C/O YH Consulting Limited Ufficio 147,
Centurion House, London Road,
Staines-upon-Thames, Surrey, TW18 4AX

Queste sono le istruzioni originali, si prega di leggere attentamente tutte le istruzioni del manuale prima di utilizzare il prodotto. VEVOR si riserva la piena interpretazione del manuale utente. L'aspetto - La validità del prodotto dipenderà dal prodotto ricevuto. Vi preghiamo di scusarci se non vi informeremo più in caso di aggiornamenti tecnologici o software sul nostro prodotto.

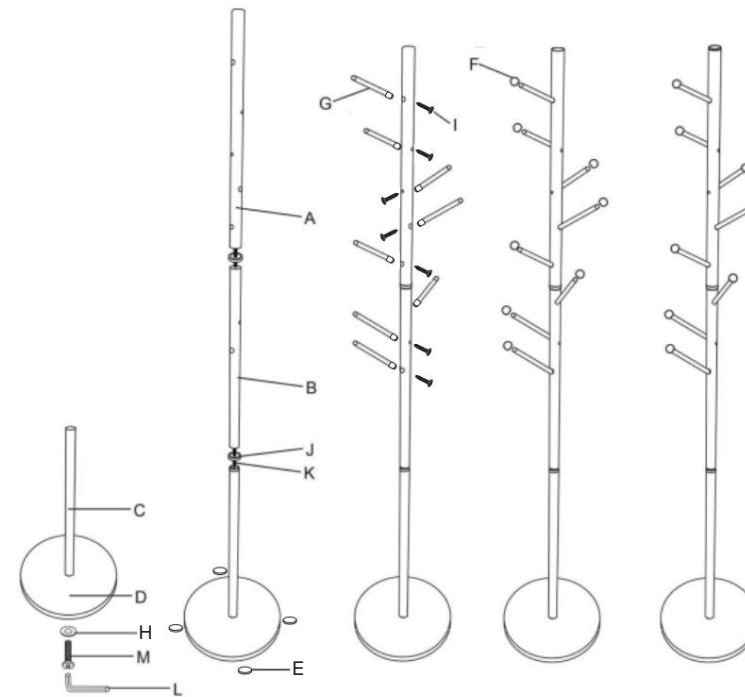
Made in China

VEVOR

Affordable. Reliable. Home Improvement.

APPENDIABITI

Modello: GH-L618



A		1
B		1
C		1
D		1
E		4
F		8
G		8
H		1
I		8
J		2
K		2
L		1
M		1

Suggerimenti:

1. Prima dell'installazione, controllare tutti i componenti in base all'elenco dei componenti e verificare che siano completi.
2. Montare il prodotto nell'ordine corretto come indicato.



AVVERTIMENTO:

Leggere attentamente questo materiale prima di utilizzare il prodotto. La mancata osservanza di queste istruzioni può causare gravi lesioni.

Precauzioni di montaggio

1. Eseguire il montaggio solo seguendo queste istruzioni. Un montaggio improprio può comportare pericoli.
2. Durante il montaggio, indossare occhiali di sicurezza omologati ANSI e guanti da lavoro resistenti.
3. Mantenere l'area di assemblaggio pulita e ben illuminata.
4. Tenere gli astanti fuori dall'area durante l'assemblea.
5. Non riunirsi quando si è stanchi o sotto l'effetto di alcol, droghe o farmaci.
6. Le capacità del prodotto si applicano solo ai prodotti correttamente e completamente assemblati.
7. Per ulteriori informazioni sui componenti elencati nelle pagine seguenti, fare riferimento allo schema di montaggio di questo manuale. Disimballare e separare tutti i componenti in un'area di lavoro pulita.

Usare precauzioni

1. Non utilizzare questo prodotto per scopi diversi da quelli espressamente indicati dal produttore. Il produttore non è responsabile per danni o lesioni causati da un montaggio o un utilizzo improprio.
2. Ispezionare prima di ogni utilizzo; non utilizzare se alcune parti risultano allentate o danneggiate.

CONSERVARE QUESTE ISTRUZIONI

Produttore: Shanghaimuxinmuyeyouxiangongsi

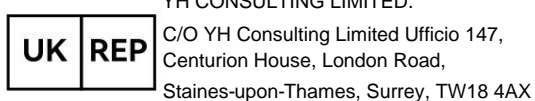
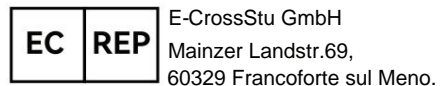
Indirizzo: Shuangchenglu 803nong11hao1602A-1609shi, Baoshanqu, Shanghai 200000 CN.

Importato in AUS: SIHAO PTY LTD.

1 ROKEVA STREETEASTWOOD NSW 2122 Australia

Importato negli USA: Sanven Technology Ltd.

Suite 250, 9166 Anaheim Place, Rancho Cucamonga, CA 91730



Queste sono le istruzioni originali, si prega di leggere attentamente tutte le istruzioni del manuale prima di utilizzare il prodotto. VEVOR si riserva la piena interpretazione del manuale utente. L'aspetto - La validità del prodotto dipenderà dal prodotto ricevuto. Vi preghiamo di scusarci se non vi informeremo più in caso di aggiornamenti tecnologici o software sul nostro prodotto.

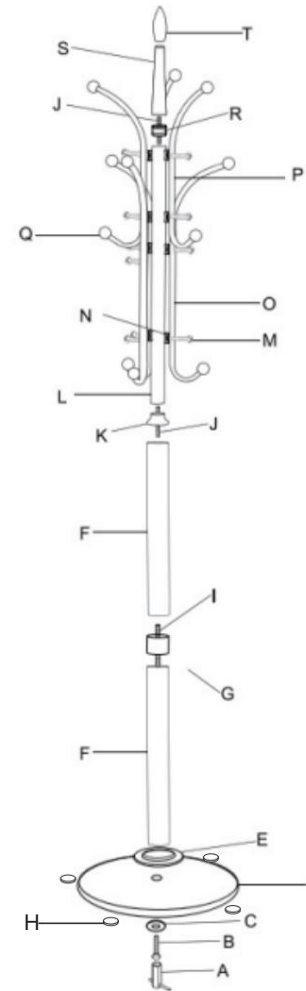
Codice articolo: GH-6206S

Made in China

VEVOR

Affordable. Reliable. Home Improvement.

Modello: GH-6206s



A		1
B		1
C		1
D		1
E		1
F		2
G		1
H		4
I		1
J		2
K		1
L		1
M		12
N		12
O		3
P		3
Q		12
R		1
S		1
T		1

Suggerimenti:

1. Prima dell'installazione, controllare tutti i componenti in base all'elenco dei componenti e verificare che siano completi.
2. Montare il prodotto nell'ordine corretto come indicato.



Suggerimenti:

1. Prima dell'installazione, controllare tutti i componenti in base all'elenco dei componenti e verificare che siano completi.
2. Montare il prodotto nell'ordine corretto come indicato.

AVVERTIMENTO:

Leggere attentamente questo materiale prima di utilizzare il prodotto. La mancata osservanza di queste istruzioni può causare gravi lesioni.

Precauzioni di montaggio

1. Eseguire il montaggio solo seguendo queste istruzioni. Un montaggio improprio può comportare pericoli.
2. Durante il montaggio, indossare occhiali di sicurezza omologati ANSI e guanti da lavoro resistenti.

3. Mantenere l'area di assemblaggio pulita e ben illuminata.

4. Tenere gli astanti fuori dall'area durante l'assemblea.

5. Non riunirsi quando si è stanchi o sotto l'effetto di alcol, droghe o farmaci.

6. Le capacità del prodotto si applicano solo ai prodotti correttamente e completamente assemblati.

7. Per ulteriori informazioni sui componenti elencati nelle pagine seguenti, fare riferimento allo schema di montaggio di questo manuale. Disimballare e separare tutti i componenti in un'area di lavoro pulita.

Usare precauzioni

1. Non utilizzare questo prodotto per scopi diversi da quelli espressamente indicati dal produttore. Il produttore non è responsabile per danni o lesioni causati da un montaggio o un utilizzo improprio.

2. Ispezionare prima di ogni utilizzo; non utilizzare se alcune parti risultano allentate o danneggiate.

CONSERVARE QUESTE ISTRUZIONI

Produttore: Shanghaimuxinmuyeyouxiangongsi

Indirizzo: Shuangchenglu 803nong11hao1602A-1609shi, Baoshanqu, Shanghai 200000 CN.

Importato in AUS: SIHAO PTY LTD.

1 ROKEVA STREETEASTWOOD NSW 2122 Australia

Importato negli USA: Sanven Technology Ltd.

Suite 250, 9166 Anaheim Place, Rancho Cucamonga, CA 91730

EC REP E-CrossStu GmbH
Mainzer Landstr.69,
60329 Francoforte sul Meno.

UK REP YH CONSULTING LIMITED.
C/O YH Consulting Limited Ufficio 147,
Centurion House, London Road,
Staines-upon-Thames, Surrey, TW18 4AX

Queste sono le istruzioni originali, si prega di leggere attentamente tutte le istruzioni del manuale prima di utilizzare il prodotto. VEVOR si riserva la piena interpretazione del manuale utente. L'aspetto

La validità del prodotto dipenderà dal prodotto ricevuto. Vi preghiamo di scusarci se non vi informeremo più in caso di aggiornamenti tecnologici o software sul nostro prodotto.

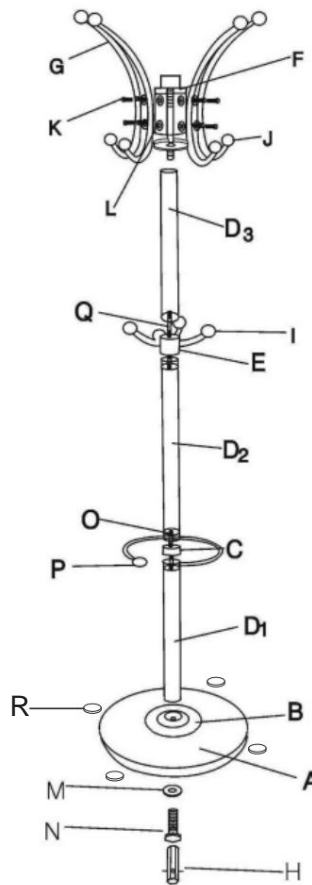
Made in China

VEVOR

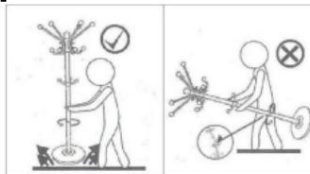
Affordable. Reliable. Home Improvement.

APPENDIABILI

Modello: GH-8617



A		1
B		1
C		1
D		3
E		1
F		1
G		5
H		1
I		4
J		10
K		10
L		10
M		1
N		1
O		1
P		1
Q		1
R		4



VEVOR

Affordable. Reliable. Home Improvement.

APPENDIABITI

Modello: GH-L619

Precauzioni di montaggio

1. Eseguire il montaggio solo seguendo queste istruzioni. Un montaggio improprio può comportare pericoli.
2. Durante il montaggio, indossare occhiali di sicurezza omologati ANSI e guanti da lavoro resistenti.
3. Mantenere l'area di assemblaggio pulita e ben illuminata.
4. Tenere gli astanti fuori dall'area durante l'assemblea.
5. Non riunirsi quando si è stanchi o sotto l'effetto di alcol, droghe o farmaci.
6. Le capacità del prodotto si applicano solo ai prodotti correttamente e completamente assemblati.

7. Per ulteriori informazioni sui componenti elencati nelle pagine seguenti, fare riferimento allo schema di montaggio di questo manuale. Disimballare e separare tutti i componenti in un'area di lavoro pulita.

Usare precauzioni

1. Non utilizzare questo prodotto per scopi diversi da quelli espressamente indicati dal produttore. Il produttore non è responsabile per danni o lesioni causati da un montaggio o un utilizzo improprio.
2. Ispezionare prima di ogni utilizzo; non utilizzare se alcune parti risultano allentate o danneggiate.

CONSERVARE QUESTE ISTRUZIONI

Produttore: Shanghai muxin muyeyouxiangongsi

Indirizzo: Shuangchenglu 803nong11hao1602A-1609shi, Baoshanqu, Shanghai 200000 CN.

Importato in AUS: SIHAO PTY LTD.

1 ROKEVA STREET EASTWOOD NSW 2122 Australia

Importato negli USA: Sanven Technology Ltd.

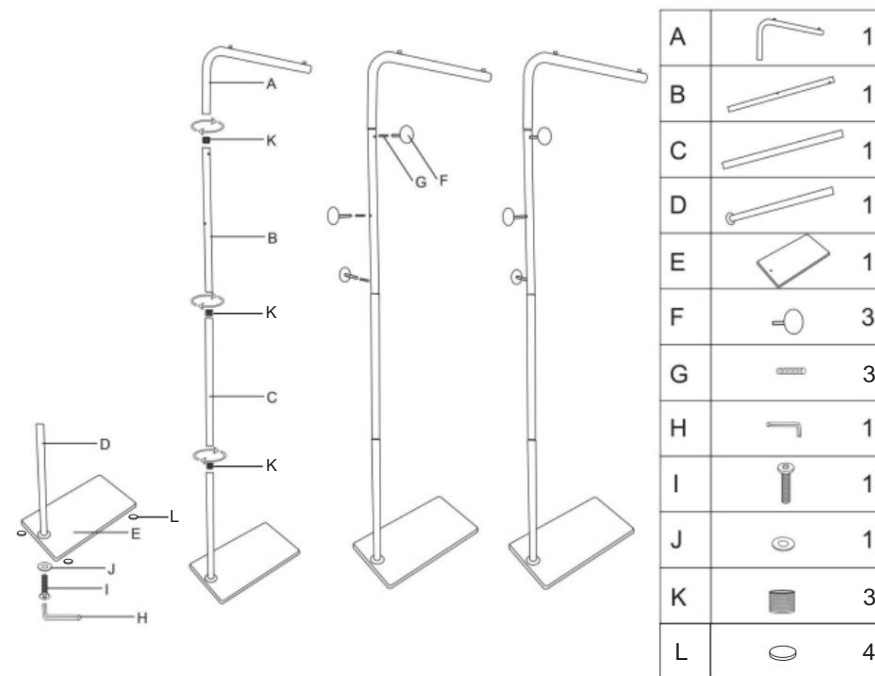
Suite 250, 9166 Anaheim Place, Rancho Cucamonga, CA 91730

EC REP E-CrossStu GmbH
Mainzer Landstr.69,
60329 Francoforte sul Meno.

UK REP YH CONSULTING LIMITED.
C/O YH Consulting Limited Ufficio 147,
Centurion House, London Road,
Staines-upon-Thames, Surrey, TW18 4AX

Queste sono le istruzioni originali, si prega di leggere attentamente tutte le istruzioni del manuale prima di utilizzare il prodotto. VEVOR si riserva la piena interpretazione del manuale utente. L'aspetto - La validità del prodotto dipenderà dal prodotto ricevuto. Vi preghiamo di scusarci se non vi informeremo più in caso di aggiornamenti tecnologici o software sul nostro prodotto.

Made in China



Suggerimenti:

1. Prima dell'installazione, controllare tutti i componenti in base all'elenco dei componenti e verificare che siano completi.
2. Montare il prodotto nell'ordine corretto come indicato.

AVVERTIMENTO:

Leggere attentamente questo materiale prima di utilizzare il prodotto. La mancata osservanza di queste istruzioni può causare gravi lesioni.



Suggerimenti:

1. Prima dell'installazione, controllare tutti i componenti in base all'elenco dei componenti e verificare che siano completi.
2. Montare il prodotto nell'ordine corretto come indicato.

AVVERTIMENTO:

Leggere attentamente questo materiale prima di utilizzare il prodotto. La mancata osservanza di queste istruzioni può causare gravi lesioni.

Precauzioni di montaggio

1. Eseguire il montaggio solo seguendo queste istruzioni. Un montaggio improprio può comportare pericoli.
2. Durante il montaggio, indossare occhiali di sicurezza omologati ANSI e guanti da lavoro resistenti.
3. Mantenere l'area di assemblaggio pulita e ben illuminata.
4. Tenere gli astanti fuori dall'area durante l'assemblea.
5. Non riunirsi quando si è stanchi o sotto l'effetto di alcol, droghe o farmaci.
6. Le capacità del prodotto si applicano solo ai prodotti correttamente e completamente assemblati.
7. Per ulteriori informazioni sui componenti elencati nelle pagine seguenti, fare riferimento allo schema di montaggio di questo manuale. Disimballare e separare tutti i componenti in un'area di lavoro pulita.

Usare precauzioni

1. Non utilizzare questo prodotto per scopi diversi da quelli espressamente indicati dal produttore. Il produttore non è responsabile per danni o lesioni causati da un montaggio o un utilizzo improprio.
2. Ispezionare prima di ogni utilizzo; non utilizzare se alcune parti risultano allentate o danneggiate.

CONSERVARE QUESTE ISTRUZIONI

Produttore: Shanghai muxinmuyeyouxiangongsi

Indirizzo: Shuangchenglu 803nong11hao1602A-1609shi, Baoshanqu, Shanghai 200000 CN.

Importato in AUS: SIHAO PTY LTD.

1 ROKEVA STREET EASTWOOD NSW 2122 Australia

Importato negli USA: Sanven Technology Ltd.

Suite 250, 9166 Anaheim Place, Rancho Cucamonga, CA 91730

EC REP E-CrossStu GmbH
Mainzer Landstr.69,
60329 Francoforte sul Meno.

UK REP YH CONSULTING LIMITED.
C/O YH Consulting Limited Ufficio 147,
Centurion House, London Road,
Staines-upon-Thames, Surrey, TW18 4AX

Queste sono le istruzioni originali, si prega di leggere attentamente tutte le istruzioni del manuale prima di utilizzare il prodotto. VEVOR si riserva la piena interpretazione del manuale utente. L'aspetto - La validità del prodotto dipenderà dal prodotto ricevuto. Vi preghiamo di scusarci se non vi informeremo più in caso di aggiornamenti tecnologici o software sul nostro prodotto.

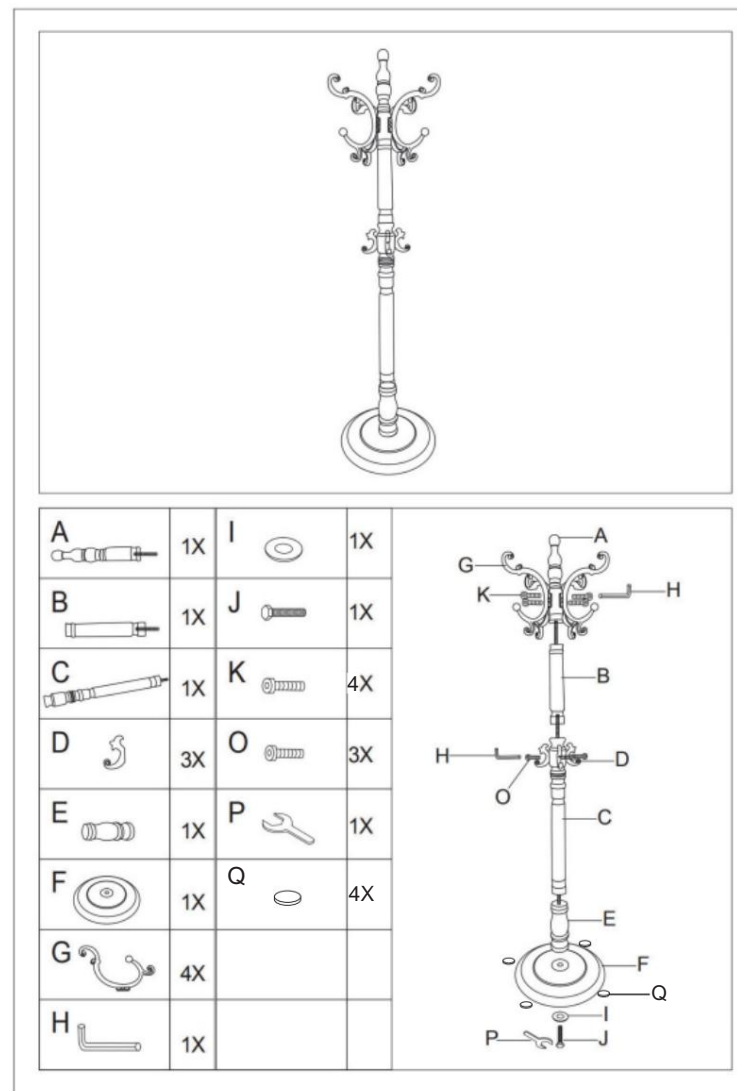
Made in China

VEVOR

Affordable. Reliable. Home Improvement.

APPENDIABILI

Modello: M-52



AVVERTIMENTO:

Leggere attentamente questo materiale prima di utilizzare il prodotto. La mancata osservanza di queste istruzioni può causare gravi lesioni.

Precauzioni di montaggio

1. Eseguire il montaggio solo seguendo queste istruzioni. Un montaggio improprio può comportare pericoli.
2. Durante il montaggio, indossare occhiali di sicurezza omologati ANSI e guanti da lavoro resistenti.
3. Mantenere l'area di assemblaggio pulita e ben illuminata.
4. Tenere gli astanti fuori dall'area durante l'assemblea.
5. Non riunirsi quando si è stanchi o sotto l'effetto di alcol, droghe o farmaci.
6. Le capacità del prodotto si applicano solo ai prodotti correttamente e completamente assemblati.
7. Per ulteriori informazioni sui componenti elencati nelle pagine seguenti, fare riferimento allo schema di montaggio di questo manuale. Disimballare e separare tutti i componenti in un'area di lavoro pulita.

Usare precauzioni

1. Non utilizzare questo prodotto per scopi diversi da quelli espressamente indicati dal produttore. Il produttore non è responsabile per danni o lesioni causati da un montaggio o un utilizzo improprio.
2. Ispezionare prima di ogni utilizzo; non utilizzare se alcune parti risultano allentate o danneggiate.

CONSERVARE QUESTE ISTRUZIONI

Produttore: Shanghai muxinmuyeyouxiangongsi

Indirizzo: Shuangchenglu 803nong11hao1602A-1609shi, Baoshanqu, Shanghai 200000 CN.

Importato in AUS: SIHAO PTY LTD.

1 ROKEVA STREET EASTWOOD NSW 2122 Australia

Importato negli USA: Sanven Technology Ltd.

Suite 250, 9166 Anaheim Place, Rancho Cucamonga, CA 91730

EC	REP	E-CrossStu GmbH Mainzer Landstr.69, 60329 Francoforte sul Meno.
-----------	------------	---

UK	REP	YH CONSULTING LIMITED. C/O YH Consulting Limited Ufficio 147, Centurion House, London Road, Staines-upon-Thames, Surrey, TW18 4AX
-----------	------------	--

Queste sono le istruzioni originali, si prega di leggere attentamente tutte le istruzioni del manuale prima di utilizzare il prodotto. VEVOR si riserva la piena interpretazione del manuale utente. L'aspetto - La validità del prodotto dipenderà dal prodotto ricevuto. Vi preghiamo di scusarci se non vi informeremo più in caso di aggiornamenti tecnologici o software sul nostro prodotto.

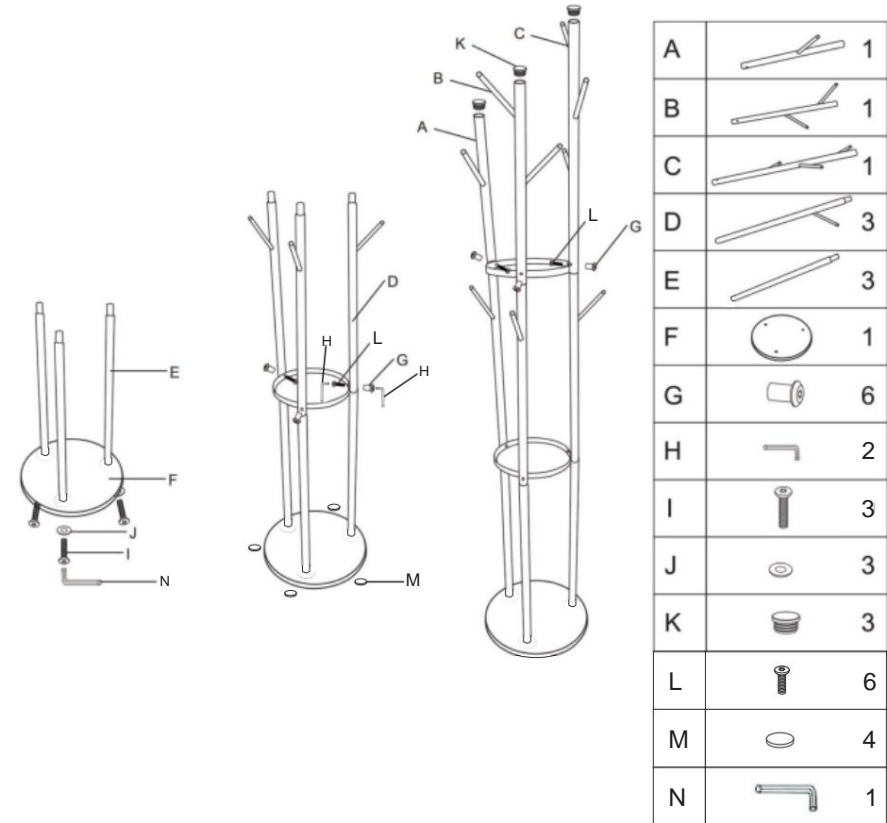
Made in China

VEVOR

Affordable. Reliable. Home Improvement.

APPENDIABITI

Modello: GH-620



Suggerimenti:

1. Prima dell'installazione, controllare tutti i componenti in base all'elenco dei componenti e verificare che siano completi.
2. Montare il prodotto nell'ordine corretto come indicato.



Suggerimenti:

1. Prima dell'installazione, controllare tutti i componenti in base all'elenco dei componenti e verificare che siano completi.
2. Montare il prodotto nell'ordine corretto come indicato.

AVVERTIMENTO:

Leggere attentamente questo materiale prima di utilizzare il prodotto. La mancata osservanza di queste istruzioni può causare gravi lesioni.

Precauzioni di montaggio

1. Eseguire il montaggio solo seguendo queste istruzioni. Un montaggio improprio può comportare pericoli.
2. Durante il montaggio, indossare occhiali di sicurezza omologati ANSI e guanti da lavoro resistenti.

3. Mantenere l'area di assemblaggio pulita e ben illuminata.
4. Tenere gli astanti fuori dall'area durante l'assemblea.
5. Non riunirsi quando si è stanchi o sotto l'effetto di alcol, droghe o farmaci.

6. Le capacità del prodotto si applicano solo ai prodotti correttamente e completamente assemblati.

7. Per ulteriori informazioni sui componenti elencati nelle pagine seguenti, fare riferimento allo schema di montaggio di questo manuale. Disimballare e separare tutti i componenti in un'area di lavoro pulita.

Usare precauzioni

1. Non utilizzare questo prodotto per scopi diversi da quelli espressamente indicati dal produttore. Il produttore non è responsabile per danni o lesioni causati da un montaggio o un utilizzo improprio.
2. Ispezionare prima di ogni utilizzo; non utilizzare se alcune parti risultano allentate o danneggiate.

CONSERVARE QUESTE ISTRUZIONI

Produttore: Shanghai muxinmuyeyouxiangongsi
 Indirizzo: Shuangchenglu 803nong11hao1602A-1609shi, Baoshanqu, Shanghai 200000 CN.
 Importato in AUS: SIHAO PTY LTD.
 1 ROKEVA STREET EASTWOOD NSW 2122 Australia
 Importato negli USA: Sanven Technology Ltd.
 Suite 250, 9166 Anaheim Place, Rancho Cucamonga, CA 91730

EC REP E-CrossStu GmbH
 Mainzer Landstr.69,
 60329 Francoforte sul Meno.

UK REP YH CONSULTING LIMITED.
 C/O YH Consulting Limited Ufficio 147,
 Centurion House, London Road,
 Staines-upon-Thames, Surrey, TW18 4AX

Queste sono le istruzioni originali, si prega di leggere attentamente tutte le istruzioni del manuale prima di utilizzare il prodotto. VEVOR si riserva la piena interpretazione del manuale utente. L'aspetto - La validità del prodotto dipenderà dal prodotto ricevuto. Vi preghiamo di scusarci se non vi informeremo più in caso di aggiornamenti tecnologici o software sul nostro prodotto.

Made in China

VEVOR

Affordable. Reliable. Home Improvement.

APPENDIABILI Modello: GH-309

Fig. 1: Before installation, check all parts according to the parts list and verify whether the parts are complete. Contact the service provider if you have any questions.
2: Assemble the product in the correct order as listed below.

Accessories are as follows:

(A)	Tube A	Tube B (with marking)	Tube C	Tube D	Triangle board (top)	Triangle board (left)	Screw (top)	Screw (left)	O	O
X1									X6	X6
X3								X6	X6	X2

Step 1: Take 3 Tube D(D), 1 Small Triangle board (E), 1 Tube A (A), 1 Tube B (B) and 8 Short screws (G), install them as shown in below picture.

Step 2: Install Tube C (with marking) (C) on the top of Tube D(D).

Step 3: Continue to install Tube B (B) on the top of Tube D(D).

Step 4: Take Tube A (A) and 6 Long screws (H), install them in the according position in the picture. The installation is completed.

