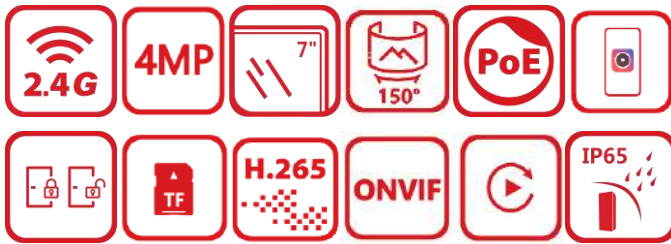


DS-KIS610-P IP Video Intercom Kit



- 4MP higher resolution with 150° viewing angle
- 2 locks control
- Multiple unlocking methods: Card, Bluetooth, Hik-Connect, indoor station
- Video recording and playback via indoor station or door station
- Standard PoE power supply
- Including: DS-KH6350-WTE1 x1, DS-KV6114-WBE1 x1, DS-KABV6114-RS x1, PSU × 2, 32GB TF card x1, Administrator Card x1, Key fob x 5

▪ Specification

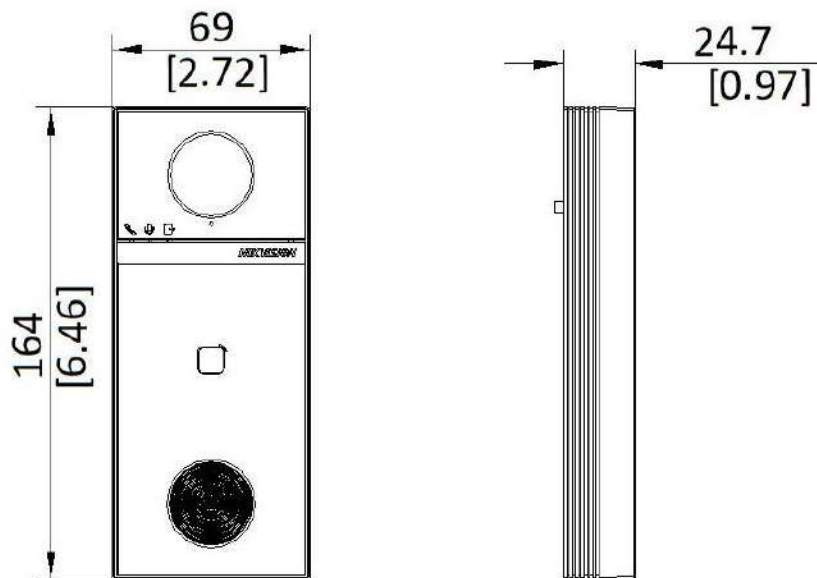
Door station	
Operation system	LINUX
Processor	Embedded high performance processor
Memory	/
RAM	512 MB
ROM	4 GB
Door station	
Supplement light	IR light, up to 3 m
Resolution	Main stream: 4MP(2688x1520P), 2MP(1920x1080P), 1MP(1280x720P) Sub stream: 2MP(1920x1080P), 1MP(1280x720P), 0.3MP(640x480P)
Lens	1
FOV	Horizontal: 150°; Vertical: 75°
Video compression standard	H.264; H.265; MJPEG
Door station	
Volume adjustment	Adjustable
Audio Performance	50cm 80dB (Maximum: 50cm 83dB)
Door station	
User capacity	2000
Card capacity	10000
Door station	
Network protocol	TCP/IP, SIP, RSTP, IPV6, ONVIF
Wi-Fi	2.4GHz
Bluetooth	Supported
Wi-Fi Protocol	IEEE802.11b, IEEE802.11g, IEEE802.11n, IEEE802.11ax
Wi-Fi Type	WiFi 6
Door station	
Authentication mode	Card, Bluetooth, Indoor Station, Hik-Connect
Card reading frequency	13.56 MHz
Card Type	M1 Card
Card Reading Distance	M1card: 2to2.5cm
Door station	
Mobile APP	Hik-Connect
Motion Detection	Support
Playback	Support
Call Elevator	Support
Smart Features	Sound Classification Detection: Scream, Glass Breaking Sound, Crying Sound (Recommended Detection Distance: 3 m)
Door station	
Network interface	1 RJ-45, 10/100 Mbps self-adaptive
Exit button	1
Lock control	2 relay, Max. 30 VDC 2 A
RS-485	1
Door contact input	1
Alarm input	4(include Exit button and Door contact input)
Alarm output	0

TAMPER	1
TF card	Support TF card, up to 128 G
Supported TF Format	FAT32,exFAT
Door station	
Button	1 physical button(s)
Indicator	3
Power consumption	< 10 W
Working temperature	-40 °C to 60 °C (-40 °F to 140 °F)
Working humidity	10% to 90% (no-condensing)
Application environment	Outdoor
Dimension (W × H × D)	164 mm × 69 mm × 24.7 mm (6.46" × 2.72" × 0.97")
Protective level	IP65
Installation	Surface mounting
Weight	Without package: 273 g (0.61 lb), With package: 431g (0.95 lb)
Material	Front Shell and Rear Shell Material: Plastic Viewing Window Panel Material: Glass
Power supply	12 VDC, 1.2 A, IEEE 802.3 at, standard PoE
Language	English, Arabic, European French, Russian, European Spanish, Latin American Spanish, Italian, German, Polish, Turkish, Portuguese, Brazilian Portuguese, Uzbek, Kazakh, Czech, Hungarian, Dutch, Romanian, Bulgarian, Ukrainian, Croatian, Serbian, Greek, Lithuanian, Estonian, Latvian, Norwegian, Danish, Slovenian, Slovak, Hebrew, Swedish, Finnish, Mongolian, Vietnamese, Traditional Chinese (Taiwan), Latin American Spanish
Power Supply Output	Max. 12 VDC, 1 A
Indoor station	
Audio input	1 built-in omnidirectional microphone
Audio output	1 built-in loudspeaker
Audio quality	Noise suppression and echo cancellation
Audio compression standard	G.711u、G.711a、Opus、AAC-LD、AAC-LC、G.726、G.722.1
Audio compression bitrate	16~64Kps
Indoor station	
Wired network	1 RJ-45, 10/100 Mbps self-adaptive
Wireless network	2.4 GHz, IEEE802.11b, IEEE802.11g, IEEE802.11n
Network protocol	TCP/IP, SIP, RTSP
Indoor station	
RS-485	1 RS-485 (Half duplex)
Alarm input	8-ch alarm inputs
Relay output	2
TF card	Support TF card, up to 128 G
Indoor station	
Power consumption	< 10 W
Power supply	12 VDC, 1 A, IEEE802.3af, Standard PoE
Working temperature	-10 °C to 50 °C (14 °F to 122 °F)
Working humidity	10% to 90% (no-condensing)
Dimension (L × W × H)	174.99 mm × 113.49 mm × 21 mm (6.89" × 4.47" × 0.83")

▪ Available Model

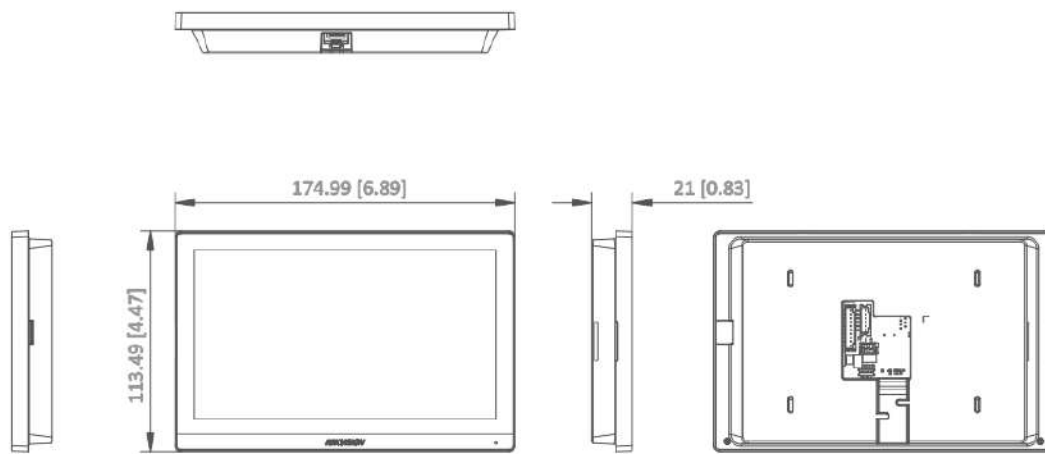
DS-KIS610-P(

▪ Dimension



Unit: mm [inch]




SCALE	1:1
-------	-----



Unit:mm [inch]

SCALE 1:1

- Accessory
- Optional

DS-KABH6350-T	DS-KABV24-A	DS-KABV6114-RS
		

See Far, Go Further



www.hikvision.com
support@hikvision.com

