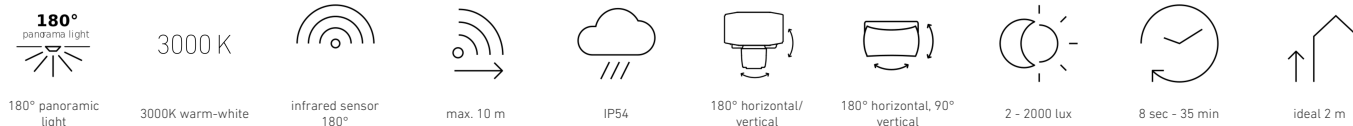


Sensor-switched LED floodlight

XLED Protect S

with motion detector - anthracite
EAN 4007841 090012
Article number 090012



Function description

Technical specifications

| | |
|----------------------------|---|
| Dimensions (L x W x H) | 195 x 195 x 187 mm |
| With lamp | Yes, LED lamp |
| With motion detector | Yes |
| Manufacturer's Warranty | 5 years |
| Settings via | Potentiometers |
| Version | with motion detector - anthracite |
| PU1, EAN | 4007841090012 |
| Application, place | Outdoors |
| Application, room | garden, front door, courtyard & driveway, all round the building, terrace / balcony |
| Colour | Anthracite |
| Includes corner wall mount | No |
| Installation site | wall |
| Installation | Wall, Surface wiring |
| Impact resistance | IK03 |
| IP-rating | IP54 |
| Protection class | II |
| Ambient temperature | from -20 up to 40 °C |

| | |
|-------------------------------|---|
| Reach, tangential | r = 10 m (157 m ²) |
| Photo-cell controller | No |
| Cover material | sticker |
| Luminous flux total product | 1642 lm |
| Measured luminous flux (360°) | 1642 lm |
| Total product efficiency | 115 lm/W |
| Colour temperature | 3000 K |
| Lamp | LED cannot be replaced |
| Service life LED L70B50 (25°) | > 60000 h |
| Soft light start | No |
| Functions | Motions sensor, Light sensor, Potentiometer |
| Twilight setting | 2 – 2000 lx |
| Time setting | 8 s – 35 Min. |
| Basic light level function | No |
| Main light adjustable | No |
| Twilight setting TEACH | No |
| Interconnection | No |
| Output | 14,3 W |

Sensor-switched LED floodlight

XLED Protect S

with motion detector - anthracite
EAN 4007841 090012
Article number 090012



Technical specifications

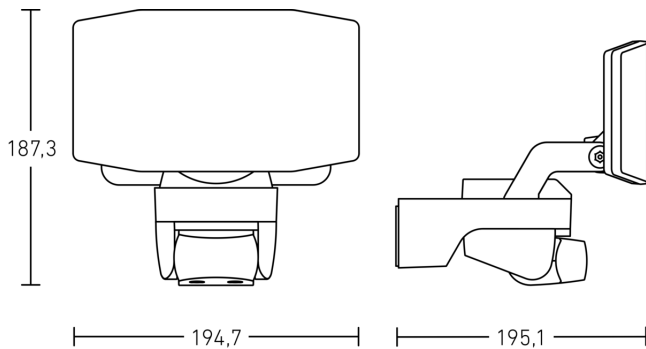
| | |
|---|------------------------------|
| Cover material | Plastic, opal |
| Mains power supply | 220 – 240 V / 50 – 60 Hz |
| Mounting height max. | 4,00 m |
| Slave modeselectable | No |
| Sneak-by guard | No |
| Capability of masking out individual segments | No |
| Electronic scalability | No |
| Reach, radial | r = 3 m (14 m ²) |

| | |
|------------------------------------|--------------------------------|
| Colour Rendering Index CRI | = 82 |
| R9-Farbwiedergabeindex | 18 |
| Optimum mounting height | 2 m |
| Detection angle | 180 ° |
| Product category | Sensor-switched LED floodlight |
| Energieeffizienzklasse Lichtquelle | E |

Accessories

| | |
|--------------------|--|
| EAN 4007841 055615 | Corner wall mount XLED home 2/ PRO 240 |
| EAN 4007841 053086 | Corner wall mount XLED Home 2/ Pro 240 |
| EAN 4007841 055875 | Corner wall mount XLED home 2/ PRO 240 |

Dimension Drawing



Circuit diagram

