

# **VEVOR<sup>®</sup>**

**TOUGH TOOLS, HALF PRICE**

Technical Support and E-Warranty Certificate [www.vevor.com/support](http://www.vevor.com/support)

## **CAR REFRIGERATOR USER MANUAL**

**MODEL: X40K X50K**

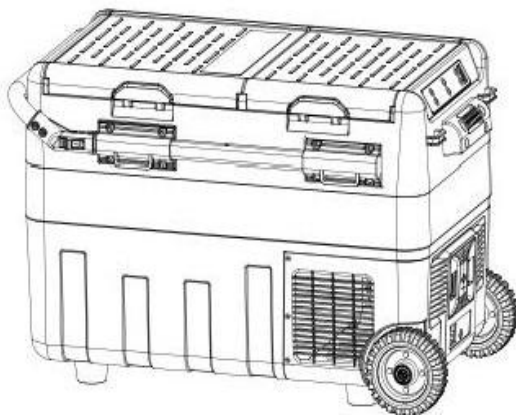
We continue to be committed to provide you tools with competitive price.

"Save Half", "Half Price" or any other similar expressions used by us only represents an estimate of savings you might benefit from buying certain tools with us compared to the major top brands and does not necessarily mean to cover all categories of tools offered by us. You are kindly reminded to verify carefully when you are placing an order with us if you are actually saving half in comparison with the top major brands.

# VEVOR®

*Car Refrigerator*

**MODEL:X40K X50K**






<Picture Only For Reference >

## **NEED HELP? CONTACT US!**

Have product questions? Need technical support? Please feel free to contact us:

**Technical Support and E-Warranty Certificate**  
**[www.vevor.com/support](http://www.vevor.com/support)**

This is the original instruction, please read all manual instructions carefully before operating. VEVOR reserves a clear interpretation of our user manual. The appearance of the product shall be subject to the product you received. Please forgive us that we won't inform you again if there are any technology or software updates on our product.

	<p>Warning-To reduce the risk of injury, user must read instructions manual carefully.</p>
 	<p>This product is subject to the provision of European Directive 2012/19/EC. The symbol showing a wheeled bin crossed through indicates that the product requires separate refuse collection in the European Union. This applies to the product and all accessories marked with this symbol. Products marked as such may not be discarded with normal domestic waste, but must be taken to a collection point for recycling electrical and electronic devices</p>

## Attentions

**Before using the refrigerator, please read this manual carefully and keep it properly**

1. Before using the refrigerator, clean it inside and outside with a damp cloth.
2. Do not fill the refrigerator with corrosive liquids. Do not directly pour liquids into the refrigerator.
3. When the refrigerator is not used for a long time, please disconnect the power supply and keep it dry.
4. Regularly clean the inner chamber to prevent odor and bacteria and ensure food safety.
5. Shut down the refrigerator and battery before pulling by the trolley (If with battery).

## Connect the Power Supply

1. Find the DC power cord in the kit. Connect DC plug to the power outlet of the car refrigerator.

2. Well place the refrigerators in the car (back-up, seats...).
3. Lay out power cords per your car's interior space. Insert the cigarette lighter plug (one side of the power cord) into the car cigarette lighter hole.



Adapter



Connect the car cigarette lighter



DC 12/24V

### Connect the car refrigerator

1. The refrigerator can be connected to more than one energy source.
2. The refrigerator can connect directly to the DC12V/24V power supply.
3. If the refrigerator is used an AC100-240V power supply, an AC adapter should be adopted.

## Car Refrigerator Operation

### Car battery protection voltage reference:

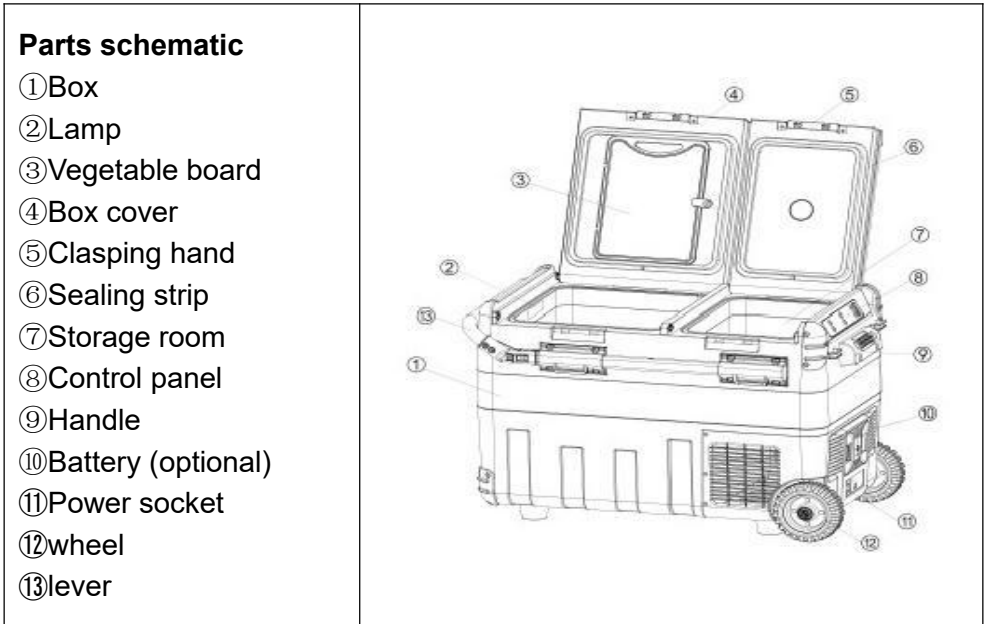
Built-in ECO electronic control module can automatically monitor car battery voltage. The refrigerator will be automatically cut off when the power is excessively consumed, protecting the battery consumption from being too low to affect auto-ignition.

Battery Voltage	Factory default voltage protection value H		
	H (high) level	M (medium) level	L (low) level
DC12V	DC11.3V OFF DC12.5V ON	DC10.1V OFF DC11.4V ON	DC9.6V OFF DC10.9V ON

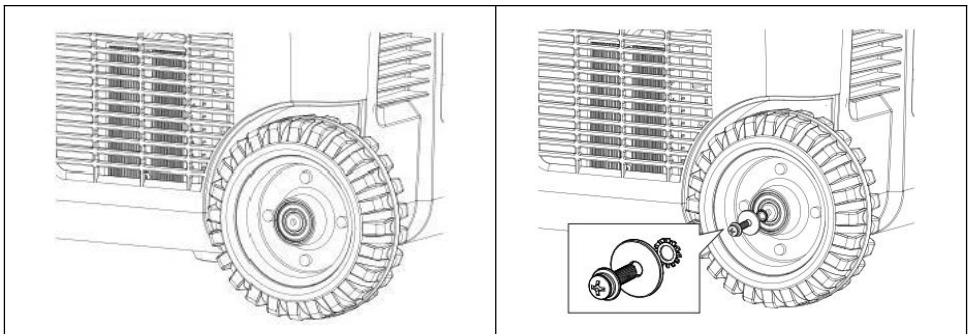
DC24V	DC24.6V OFF DC26.0V ON	DC22.3V OFF DC23.7V ON	DC21.3V OFF DC22.7V ON
-------	---------------------------	---------------------------	---------------------------

**Note:** When the power supply is connected and the refrigerator is turned on, disconnecting or starting refers to disconnecting or starting the compressor.

## Component Diagram



## Installs the roller

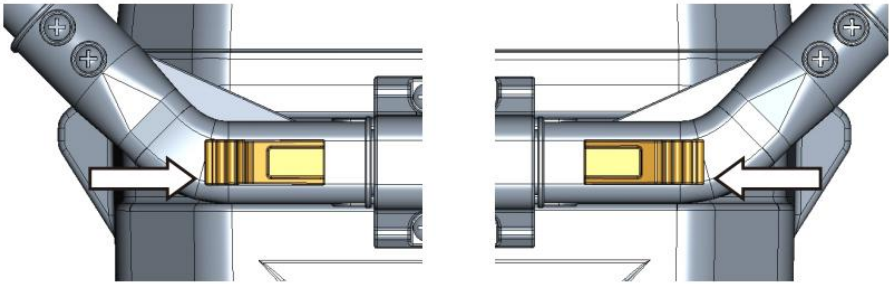


Insert the roller into the roller shaft

Use screwdriver to tighten in picture order

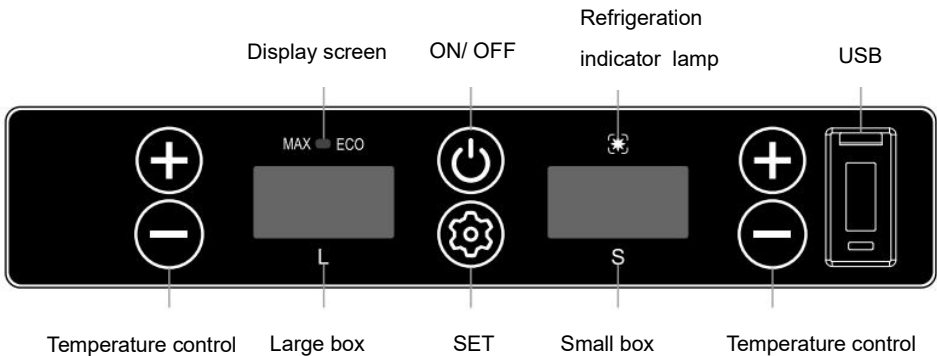
### Instructions for rod

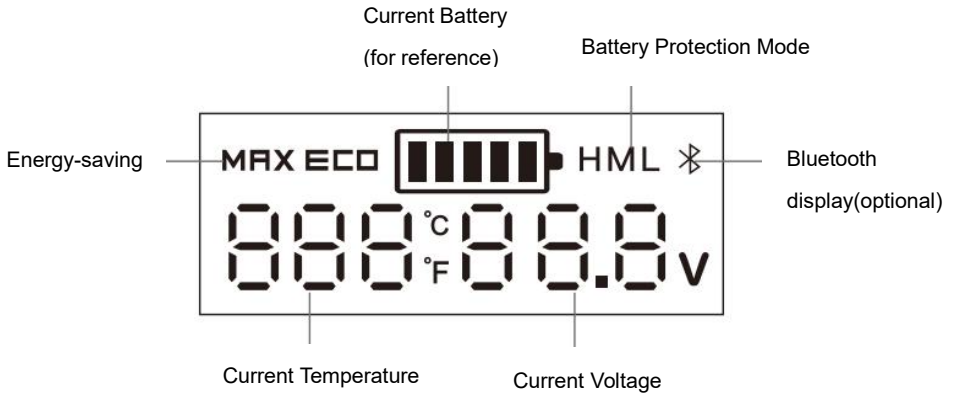
If the pull rod cannot be pulled out when it is in the locked state, operate the unlock button to remove the locking state, and the pull rod can be pulled out, as shown in the figure:













Push the left / right buttons in the arrow to unlock.

### Optional Operation Method





- **Power Supply:** connect to DC 12V/24V or AC 100-240V power (using dedicated adapter).
- **Display Screen Initialization:** After powering on, the digital display is fully on for one second, and then displayed normally. The default is the last memory function. In standby state, the temperature of the display "—" is bright.
- **Power ON/OFF:** press  to switch ON/OFF.
- **Temperature Setting:** under the running state, press  to increase temperature, and press  to decrease temperature; keep pressing  or  to adjusting the temperature quickly. The setting will be saved automatically after stopping operating for three seconds.  
Temperature setting range: -20~20°C (-4~68°F)
- **Temperature Unit Setting:** under the running state, long press   at the same time for three seconds to switch Celsius or Fahrenheit.
- **Cooling Mode:** under the running state, press  to switch MAX (fast cooling) and ECO (Energy saving Mode). (\*Factory setting is MAX.)
- **Battery Protection Mode:** under the running state, long press  or three seconds until screen flashes, then press  again to select protection mode

H1、N2、L3, after no key action is detected, set the corresponding gear flicker for 5 seconds, exit the setting, and save.

·**Power-off Memory Function:** There is a power-off memory function for car refrigerators. When the power is lost, the working state (On/Off status, working mode, etc.) before power-off can be automatically recovered at the next startup; no need to set it again. ECO: Energy-saving cooling MAX: Powerful cooling.

## Simple Fault Analysis

**Advice:** If abnormal situations cannot be resolved through a simple fault analysis, please get in touch with professional customer service for assistance.

### Car Refrigerator Does Not Work

1. Check if the power is connected correctly. (check if the plug is loosened or positive and negative poles are reversed).
2. Check if the power switch on the operation panel is turned on.
3. Check if the cooling ventilation is normal.
4. Check if the fuse is blown.

### Poor Cooling Performance

1. Check if the lid is closed correctly.
2. Check if the door seal is damaged or deformed.
3. Check if there is poor ventilation around the fridges.
4. Check if the temperature is set correctly.

### △Definition of Error Codes on the Display

Error Code	Error Type
E1	Low Input Voltage
E2	Fan Fault
E3	Compressor start failed
E4	Low Rotational Speed of Compressor



E5	Controller module temperature too high
E6	Open or Short Circuit of NTC

### **Abnormal Noise**

- 1.The car refrigerator is not placed smoothly.
- 2.Touch a wall or other object.
- 3.There are parts loose or falling off inside.

### **Condensation on Refrigerator Surface**

When the ambient air humidity exceeds 75%, slight condensation will occur on the box surface, which is normal.

## **Failures and Solutions**

### **△E1: Low Input Voltage**

Failure 1: Insert the refrigerator power cord into the cigarette lighter before the car starts. Solution 1: Wait a while to connect the car after it starts.

Failure 2: The input voltage of the adapter is too low.

Solution 2: Adjust the battery protection level to middle-voltage or low-voltage. If it doesn't work, please replace a new adapter.

### **△E2: Fan Fault**

Please replace a new fan when you identify there is a fan malfunction.

### **△E3: Input Voltage Fault Due to Compressor Frequently Start**

When the refrigerator is used in the car, and E3 appears, Please shut it down for 5 minutes and restart it.

If it doesn't work, that can be identified to be EI fault; please solve it according to the solution of EI.

When the refrigerator is connecting with the adapter and E3 appearing

- ① Please adjust the battery protection level to the middle or low level.
- ② If it doesn't work, please replace a new adapter.

**△E4: Low Rotational Speed of Compressor**

Please adjust the input voltage and repower it.

**△E5: Overheating of Controller Chip**

Please power off for 5 minutes and check if the lousy ventilation around the compressor causes the overheating.

**Packing List**

No.	Item	Qty	Remark
1	Refrigerator	1 set	
2	Cigarette wire	1 set	
3	Power adapter	1 set	
4	Manual	1 pcs	
5	Roller	2 pcs	
6	Screwdriver	1 pcs	

**Use Suggestions**

1. If equipped with a backup battery, you can maintain any temperature you set under any circumstances without worries.
2. When placing ice cream, please adjust the temperature to the lowest; it must be powered on for a long time.
3. Prevent the health problems of drinking bottled water caused by high temperatures.
4. Frozen food, rare seafood, and vehicle-mounted refrigerators let frozen fresh food accompany the journey.

5. Healthcare products, insulin, and imported drugs need to be refrigerated, and the precise temperature control of onboard refrigerators will escort health along the way.
6. The tea leaves are effectively kept fresh in the car refrigerator, and you can drink fresh and delicious tea anytime during the self-driving tour.
7. The best storage temperature of red wine is  $10\text{ }^{\circ}\text{C} - 18\text{ }^{\circ}\text{C}$  ( $50 - 64.4\text{ }^{\circ}\text{F}$ ). The precise temperature control of the car refrigerator can effectively ensure the storage temperature of red wine.
8. The storage time of high-grade fruit in the car at high summer temperatures will be at least 2 hours. The storage time is shorter even if the air conditioner is turned on. Using a car refrigerator can effectively preserve high-grade fruit.
9. The coating of high-grade sunglasses will fall off under the high temperature in summer. The car refrigerator is an ideal place to place it.
10. High-grade cosmetics quickly deteriorate under high temperatures in the car. Carry cosmetics with the car; the car refrigerator will be your better choice.

## **Safety Precautions**

- (1) Ensure that the power voltage connected to the onboard refrigerator is correct at any time  
(The parameters are labeled with the approved voltage parameters of the onboard refrigerator).
- (2) Do not pour liquid directly into the car refrigerator.
- (3) Modifying the refrigerator without permission is forbidden to avoid danger.
- (4) This appliance is not intended for use by persons (including children) with reduced physical, sensory, or mental capabilities or lack of experience and knowledge unless they have been given supervision or instruction concerning the use of the appliance by a person responsible for their safety.
- (5) Children should be supervised to avoid playing with the appliance.

(6) This appliance can be used by children aged from 8 years and above and persons with reduced physical, sensory or mental capabilities or lack of experience and knowledge if they have been given supervision or instruction concerning use of the appliance in a safe way and understand the hazards involved. Children shall not play with the appliance. Cleaning and user maintenance shall not be made by children without supervision.

(7) To avoid a hazard due to the instability of the appliance, it must be fixed under the instructions.

(8) Do not store explosive substances such as aerosol cans with a flammable propellant in this appliance.

**WARNING:** This appliance contains flammable foaming agent cyclopentane:

1) Please avoid contact fire when you transport and use it.

2) Please ask a professional for servicing when the machine breaks down.

3) Please send it to your local appointed disposal station when you discard it.



**WARNING:** During use, service, and disposal of the appliance, please pay attention to a symbol similar to the left side, which is located on the rear of the appliance (rear panel or compressor) and with yellow or orange color. It's a risk of fire warning symbol. There are flammable materials in refrigerant pipes and compressors. Please be far away fire source during use, service, and disposal.

## FCC Information

**CAUTION:** Changes or modifications not expressly approved by the party responsible for compliance could void the user's authority to operate the equipment!

This device complies with Part 15 of the FCC Rules. Operation is subject to the following two conditions:

1) This product may cause harmful interference.

2) This product must accept any interference received, including interference that may cause undesired operation.

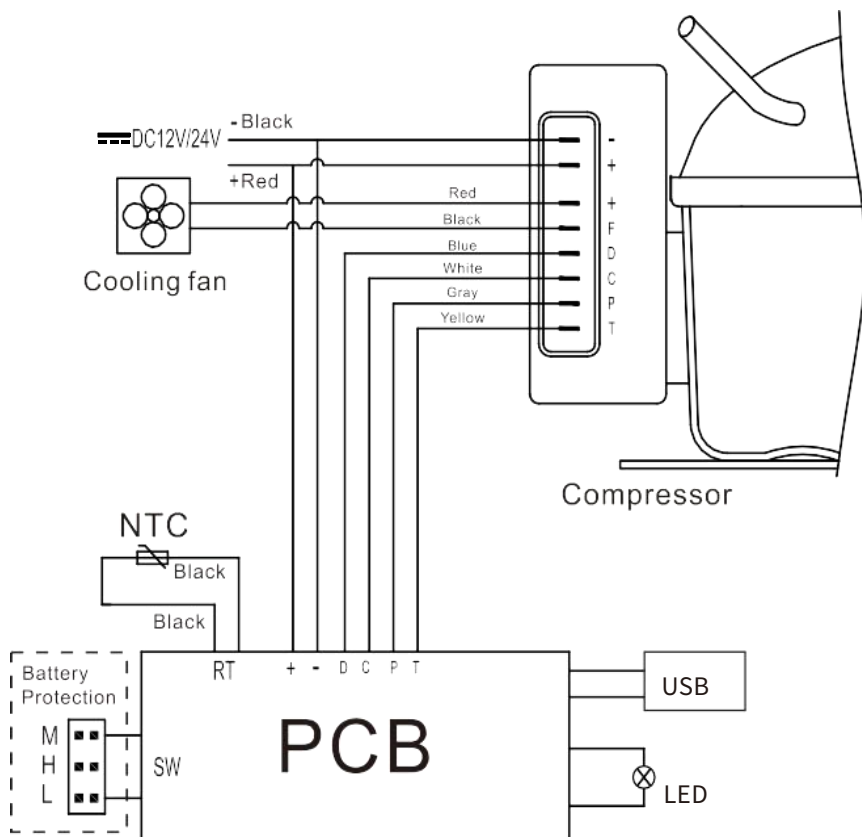
**WARNING:** Changes or modifications to this product not expressly approved by the party responsible for compliance could void the user's authority to operate the product.

**Note:** This product has been tested and found to comply with the limits for a Class B digital device pursuant to Part 15 of the FCC Rules, These limits are designed to provide reasonable protection against harmful interference in a residential installation.

This product generates, uses and can radiate radio frequency energy, and if not installed and used in accordance with the instructions, may cause harmful interference to radio communications. However, there is no guarantee that interference will not occur in a particular installation. If this product does cause harmful interference to radio or television reception, which can be determined by turning the product off and on, the user is encouraged to try to correct the interference by one or more of the following measures.

- Reorient or relocate the receiving antenna.
- Increase the distance between the product and receiver.
- Connect the product to an outlet on a circuit different from that to which the receiver is connected.
- Consult the dealer or an experienced radio/TV technician for assistance.

# Electrical Schematic Diagram





**VEVOR**<sup>®</sup>

**TOUGH TOOLS, HALF PRICE**

**Technical Support and E-Warranty Certificate**

**<https://www.vevor.com/support>**



# VEVOR<sup>®</sup>

## TOUGH TOOLS, HALF PRICE

Assistance technique et certificat de garantie électronique [www.vevor.com/support](http://www.vevor.com/support)

RÉFRIGÉRATEUR DE VOITURE

MANUEL DE L'UTILISATEUR

MODÈLE : X40K X50K

Nous continuons à nous engager à vous fournir des outils à des prix compétitifs.

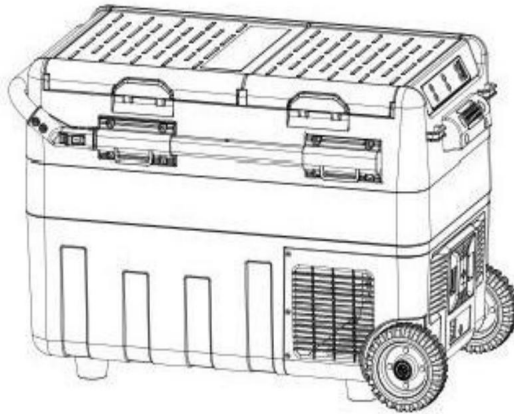
"Économisez la moitié", "Moitié prix" ou toute autre expression similaire que nous utilisons ne représente qu'une estimation des économies dont vous pourriez bénéficier en achetant certains outils chez nous par rapport aux grandes marques et ne signifie pas nécessairement couvrir toutes les catégories d'outils proposés. par nous.

Nous vous rappelons de bien vouloir vérifier attentivement lorsque vous passez une commande chez nous si vous économisez réellement la moitié par rapport aux grandes marques.

# VEVOR®

Réfrigérateur de voiture

MODÈLE: X40K X50K






<Image uniquement pour référence>

## BESOIN D'AIDE? CONTACTEZ-NOUS!

Vous avez des questions sur les produits ? Besoin d'une assistance technique ? N'hésitez pas à nous contacter:

Assistance technique et certificat de garantie électronique  
[www.vevor.com/support](http://www.vevor.com/support)

Il s'agit des instructions originales, veuillez lire attentivement toutes les instructions du manuel avant de l'utiliser. VEVOR se réserve une interprétation claire de notre manuel d'utilisation. L'apparence du produit dépend du produit que vous avez reçu. Veuillez nous pardonner que nous ne vous informerons plus s'il y a des mises à jour technologiques ou logicielles sur notre produit.

	<p>Avertissement-Pour réduire le risque de blessure, l'utilisateur doit lire attentivement le manuel d'instructions.</p>
 	<p>Ce produit est soumis aux dispositions de la directive européenne 2012/19/CE. Le symbole représentant une poubelle barrée à travers indique que le produit nécessite des déchets séparés collection dans l'Union européenne. Ceci s'applique au produit et tous les accessoires marqués de ce symbole. Produits marqués en tant que tel, il ne doit pas être jeté avec les ordures ménagères normales, mais doivent être déposés dans un point de collecte pour le recyclage des appareils électriques et appareils électroniques</p>

## Attention

Avant d'utiliser le réfrigérateur, veuillez lire attentivement ce manuel et garde-le correctement

1. Avant d'utiliser le réfrigérateur, nettoyez-le à l'intérieur et à l'extérieur avec un chiffon humide. tissu.
2. Ne remplissez pas le réfrigérateur avec des liquides corrosifs. Ne versez pas directement liquides au réfrigérateur.
3. Lorsque le réfrigérateur n'est pas utilisé pendant une longue période, veuillez débrancher le l'alimentation électrique et gardez-le au sec.
4. Nettoyez régulièrement la chambre intérieure pour éviter les odeurs et les bactéries. assurer la sécurité alimentaire.
5. Arrêtez le réfrigérateur et la batterie avant de tirer par le chariot (si avec batterie).

## Connectez l'alimentation

1. Trouvez le cordon d'alimentation CC dans le kit. Connectez la fiche CC à la prise de courant de le réfrigérateur de la voiture.

2. Bien placer les réfrigérateurs dans la voiture (back-up, sièges...).
3. Disposez les cordons d'alimentation en fonction de l'espace intérieur de votre voiture. Insérez la cigarette fiche de l'allume-cigare (un côté du cordon d'alimentation) dans le trou de l'allume-cigare de la voiture.



Adaptateur



Branchez l'allume-cigare de la voiture



DC 12/24V

Connectez le réfrigérateur de la voiture

1. Le réfrigérateur peut être connecté à plusieurs sources d'énergie.
2. Le réfrigérateur peut se connecter directement à l'alimentation DC12V/24V.
3. Si le réfrigérateur utilise une alimentation AC100-240V, un adaptateur secteur devrait être adoptée.

### Fonctionnement du réfrigérateur de voiture

Référence de tension de protection de batterie de voiture :

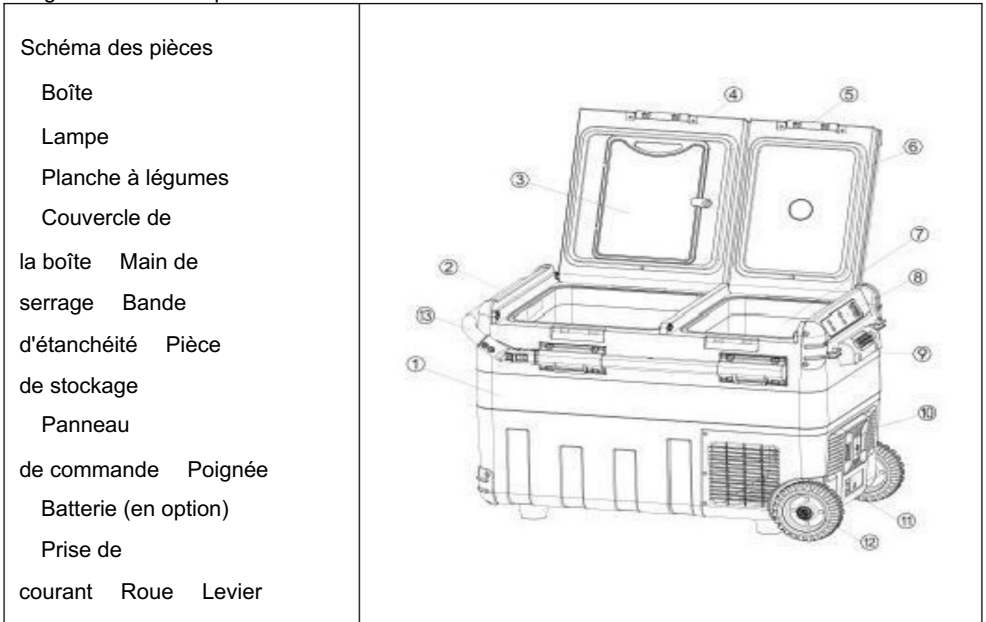
Le module de contrôle électronique ECO intégré peut surveiller automatiquement la voiture Voltage de batterie. Le réfrigérateur sera automatiquement coupé lorsque le l'énergie est excessivement consommée, protégeant la consommation de la batterie de étant trop faible pour affecter l'auto-allumage.

Batterie Tension	Valeur de protection de tension par défaut d'usine H		
	Niveau H (élevé)	M (moyen) niveau	Niveau L (bas)
DC12V	DC11.3V éteint DC12,5 V allumé	DC10.1V éteint DC11.4V allumé	DC9.6V éteint DC10,9 V allumé

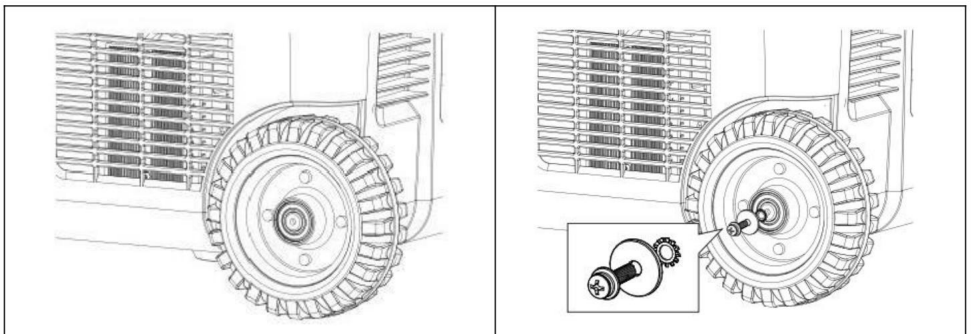
DC24V	DC24.6V éteint DC26.0V allumé	DC22.3V éteint DC23,7 V allumé	DC21.3V éteint DC22,7 V allumé
-------	----------------------------------	-----------------------------------	-----------------------------------

Remarque : Lorsque l'alimentation électrique est connectée et que le réfrigérateur est allumé, la déconnexion ou le démarrage fait référence à la déconnexion ou au démarrage du compresseur.

### Diagramme des composants



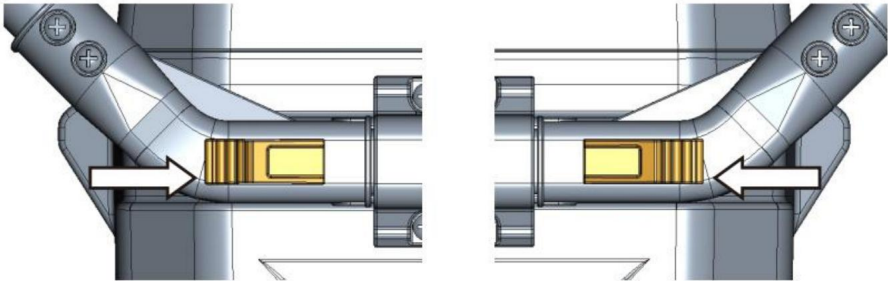
### Installe le rouleur



Insérez le rouleau dans l'arbre du rouleau	Utilisez un tournevis pour serrer commande d'images
--	---

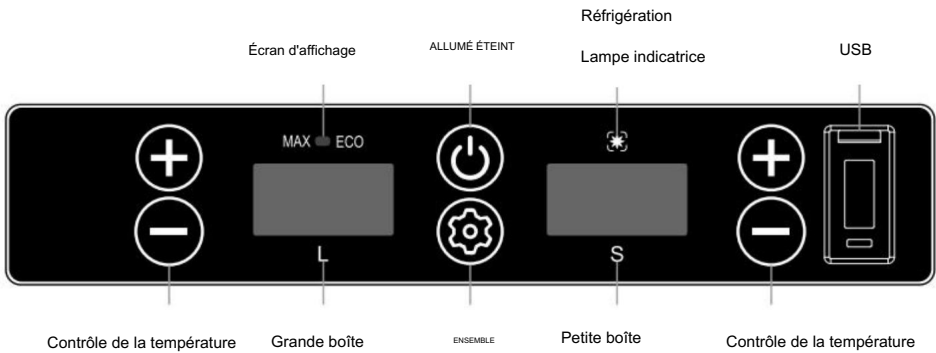
### Instructions pour la tige

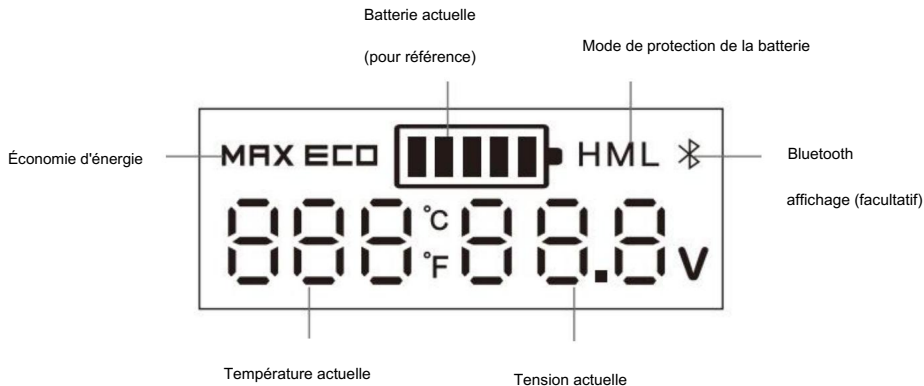
Si la tige de traction ne peut pas être retirée lorsqu'elle est à l'état verrouillé, actionnez le bouton de déverrouillage pour supprimer l'état de verrouillage, et la tige de traction peut être retiré, comme le montre la figure :



Appuyez sur les boutons gauche/droite dans la flèche pour déverrouiller.

### Méthode de fonctionnement facultative






·Alimentation : connectez-vous à une alimentation DC 12 V/24 V ou AC 100-240 V (en utilisant adaptateur dédié).

· Initialisation de l'écran d'affichage : après la mise sous tension, l'affichage numérique est complètement allumé pendant une seconde, puis affiché normalement. La valeur par défaut est le dernier fonction mémoire. En état de veille, la température de l'écran est lumineuse.



·Mise sous/hors tension : appuyez sur  pour allumer/éteindre.

·Réglage de la température : en cours de fonctionnement, appuyez sur ▲ pour augmenter température et appuyez sur ▼ pour diminuer la température ; continuez à appuyer sur ▲ ou ▼ pour réglage rapide de la température. Le réglage sera automatiquement enregistré après avoir arrêté de fonctionner pendant trois secondes.


Plage de réglage de la température : -20 ~ 20 ( -4 ~ 68 )

·Réglage de l'unité de température : en cours de fonctionnement, appuyez longuement sur ▲▼ au en même temps pendant trois secondes pour changer Celsius ou Fahrenheit.

· Mode de refroidissement : en cours de fonctionnement, appuyez pour passer au MAX (rapide refroidissement) et ECO (mode d'économie d'énergie). (\*Le réglage d'usine est MAX.)

· Mode de protection de la batterie : en cours de fonctionnement, appuyez longuement ou trois



secondes jusqu'à ce que l'écran clignote, puis appuyez à nouveau  pour sélectionner le mode de protection

H1, N2, L3, après qu'aucune action clé n'est détectée, réglez l'engrenage correspondant

clignote pendant 5 secondes, quittez le paramètre et enregistrez.

·Fonction de mémoire de mise hors tension : il existe une fonction de mémoire de mise hors tension pour réfrigérateurs de voiture. Lorsque l'alimentation est perdue, l'état de fonctionnement (état marche/arrêt, mode de fonctionnement, etc.) avant la mise hors tension peut être automatiquement récupéré au prochain démarrage ; pas besoin de le régler à nouveau. ECO : Refroidissement économe en énergie MAX : Refroidissement puissant.

## Analyse simple des défauts

Conseil : Si des situations anormales ne peuvent être résolues par un simple défaut

Analyse, veuillez contacter le service client professionnel pour assistance.

Le réfrigérateur de voiture ne fonctionne pas

1. Vérifiez si l'alimentation est correctement connectée. (vérifiez si la fiche est desserrée ou les pôles positif et négatif sont inversés).
2. Vérifiez si l'interrupteur d'alimentation du panneau de commande est allumé.
3. Vérifiez si la ventilation de refroidissement est normale.
4. Vérifiez si le fusible est grillé.

Mauvaises performances de refroidissement

1. Vérifiez si le couvercle est correctement fermé.
2. Vérifiez si le joint de la porte est endommagé ou déformé.
3. Vérifiez s'il y a une mauvaise ventilation autour des réfrigérateurs.
4. Vérifiez si la température est correctement réglée.

Définition des codes d'erreur sur l'écran

Code d'erreur	Type d'erreur
E1	Faible tension d'entrée
E2	Panne du ventilateur
E3	Le démarrage du compresseur a échoué
E4	Faible vitesse de rotation du compresseur



E5	Température du module de contrôleur trop élevée
E6	Circuit ouvert ou court-circuit du NTC

#### Bruit anormal

1. Le réfrigérateur de la voiture n'est pas placé en douceur.
2. Touchez un mur ou un autre objet.
3. Il y a des pièces desserrées ou qui tombent à l'intérieur.

Condensation sur la surface du réfrigérateur

Lorsque l'humidité de l'air ambiant dépasse 75 %, une légère condensation se produira se produire sur la surface de la boîte, ce qui est normal.

## Échecs et solutions

#### E1 : basse tension d'entrée

Échec 1 : Insérez le cordon d'alimentation du réfrigérateur dans l'allume-cigare avant la voiture démarre. Solution 1 : Attendez un moment pour connecter la voiture après son démarrage.

Défaillance 2 : la tension d'entrée de l'adaptateur est trop faible.

Solution 2 : Réglez le niveau de protection de la batterie sur moyenne tension ou basse tension. Si cela ne fonctionne pas, veuillez remplacer un nouvel adaptateur.

#### E2 : Défaut du ventilateur

Veuillez remplacer un nouveau ventilateur lorsque vous identifiez un dysfonctionnement du ventilateur.

#### E3 : Défaut de tension d'entrée dû au démarrage fréquent du compresseur

Lorsque le réfrigérateur est utilisé dans la voiture et que E3 apparaît, veuillez le fermer vers le bas pendant 5 minutes et redémarrez-le.

Si cela ne fonctionne pas, cela peut être identifié comme étant un défaut E1 ; s'il te plaît, résous-le selon la solution d'E1.

Lorsque le réfrigérateur se connecte à l'adaptateur et que E3 apparaît

Veillez régler le niveau de protection de la batterie au niveau moyen ou bas. Si cela ne fonctionne pas, veuillez remplacer un nouvel adaptateur.

E4 : Faible vitesse de rotation du compresseur

Veillez ajuster la tension d'entrée et la remettre sous tension.

E5 : Surchauffe de la puce du contrôleur

Veillez éteindre pendant 5 minutes et vérifier si la mauvaise ventilation autour du compresseur provoque la surchauffe.

### Liste de colisage

Non.	Article	Qté 1	Remarque
1	Réfrigérateur	ensemble	
2	Fil à cigarettes	1 jeu	
3	Adaptateur secteur	1 jeu	
4	Manuel	1 PCS	
5	Rouleau	2 pièces	
6	Tournevis	1 PCS	

### Suggestions d'utilisation

1. Si vous êtes équipé d'une batterie de secours, vous pouvez maintenir n'importe quelle température régler en toutes circonstances sans soucis.
2. Lorsque vous placez de la crème glacée, veuillez régler la température au plus bas ; il doit être allumé pendant une longue période.
3. Prévenir les problèmes de santé liés à la consommation d'eau en bouteille causés par une forte températures.
4. Aliments surgelés, fruits de mer rares et réfrigérateurs montés sur véhicule laissés congelés des aliments frais accompagnent le voyage.

5. Les produits de santé, l'insuline et les médicaments importés doivent être réfrigérés, et le contrôle précis de la température des réfrigérateurs à bord les accompagnera.

la santé en cours de route.

6. Les feuilles de thé sont efficacement conservées au frais dans le réfrigérateur de la voiture et vous pouvez boire du thé frais et délicieux à tout moment pendant la visite autonome.

7. La meilleure température de stockage du vin rouge est de 10 - 18 (50 - 64,4 ).

Le contrôle précis de la température du réfrigérateur de voiture peut efficacement assurer la température de stockage du vin rouge.

8. La durée de conservation des fruits de haute qualité dans la voiture en plein été les températures seront d'au moins 2 heures. La durée de stockage est plus courte même si le climatiseur est allumé. L'utilisation d'un réfrigérateur de voiture peut efficacement conserver les fruits de haute qualité.

9. Le revêtement des lunettes de soleil de haute qualité tombera sous l'effet des températures élevées. température en été. Le réfrigérateur de voiture est un endroit idéal pour le placer.

10. Les cosmétiques de haute qualité se détériorent rapidement sous des températures élevées. la voiture. Emportez des produits cosmétiques avec la voiture ; le réfrigérateur de la voiture sera votre meilleur choix.

## Précautions de sécurité

(1) Assurez-vous que la tension d'alimentation connectée au réfrigérateur embarqué est corrigée à tout moment

(Les paramètres sont étiquetés avec les paramètres de tension approuvés du réfrigérateur à bord).

(2) Ne versez pas de liquide directement dans le réfrigérateur de la voiture.

(3) Il est interdit de modifier le réfrigérateur sans autorisation pour éviter danger.

(4) Cet appareil n'est pas destiné à être utilisé par des personnes (y compris des enfants) avec des capacités physiques, sensorielles ou mentales réduites ou un manque d'expérience et des connaissances à moins qu'ils n'aient reçu une supervision ou des instructions concernant l'utilisation de l'appareil par une personne responsable de son sécurité.

(5) Les enfants doivent être surveillés pour éviter de jouer avec l'appareil.

(6) Cet appareil peut être utilisé par des enfants âgés de 8 ans et plus et les personnes ayant des capacités physiques, sensorielles ou mentales réduites ou manquant d'expérience et de connaissances s'ils ont été supervisés ou instructions concernant l'utilisation de l'appareil en toute sécurité et comprendre les dangers encourus. Les enfants ne doivent pas jouer avec l'appareil. Nettoyage et la maintenance par l'utilisateur ne doit pas être effectuée par des enfants sans surveillance.

(7) Pour éviter tout danger dû à l'instabilité de l'appareil, celui-ci doit être fixé selon les instructions.

(8) Ne stockez pas de substances explosives telles que des bombes aérosols avec un propulseur inflammable dans cet appareil.

**AVERTISSEMENT** : Cet appareil contient un agent moussant inflammable cyclopentane :

- 1) Veuillez éviter tout contact avec le feu lorsque vous le transportez et l'utilisez.
- 2) Veuillez demander un entretien à un professionnel en cas de panne de la machine.
- 3) Veuillez l'envoyer à votre station d'élimination désignée locale lorsque vous le jetez il.



**AVERTISSEMENT** : pendant l'utilisation, l'entretien et la mise au rebut de l'appareil, veuillez prêter attention à un symbole similaire au côté gauche, situé sur l'arrière de l'appareil (panneau arrière ou compresseur) et avec un marquage jaune ou couleur orange. C'est un symbole d'avertissement de risque d'incendie. Il y a des produits inflammables matériaux dans les tuyaux de réfrigérant et les compresseurs. S'il te plaît, sois loin du feu source pendant l'utilisation, l'entretien et l'élimination.

## Informations FCC

**ATTENTION** : Changements ou modifications non expressément approuvés par la partie responsable de la conformité pourrait annuler le droit de l'utilisateur à utiliser le équipement!

Cet appareil est conforme à la partie 15 des règles FCC. L'exploitation est soumise à les deux conditions suivantes :

- 1) Ce produit peut provoquer des interférences nuisibles.

2) Ce produit doit accepter toute interférence reçue, y compris interférences pouvant provoquer un fonctionnement indésirable.

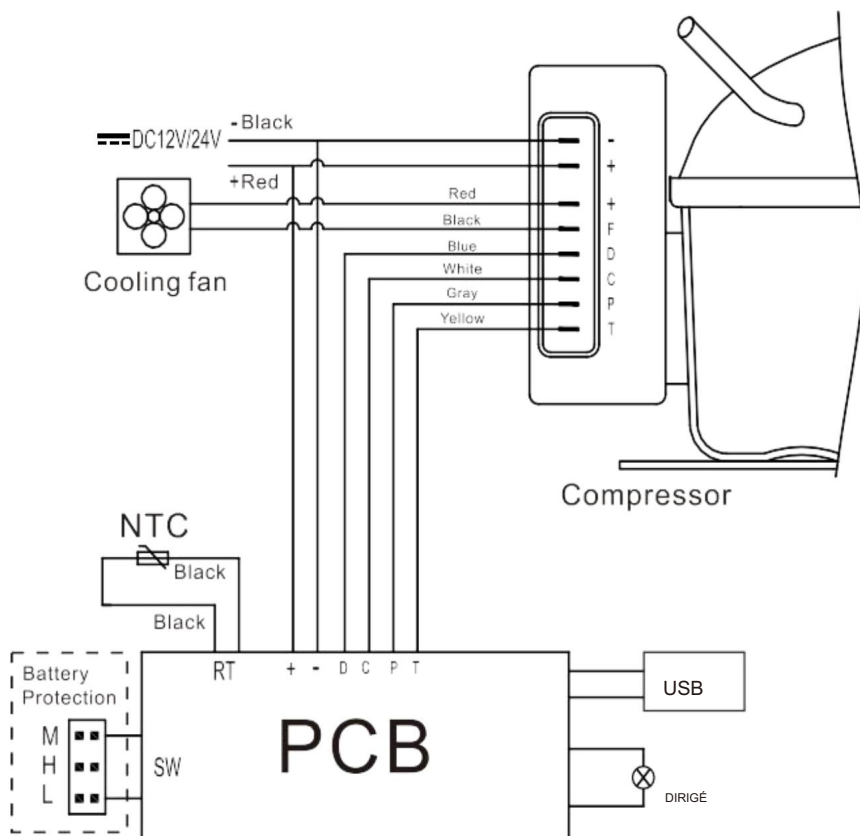
AVERTISSEMENT : les changements ou modifications apportés à ce produit ne sont pas expressément approuvés par la partie. Responsable de la conformité pourrait annuler le droit de l'utilisateur autorité pour exploiter le produit.

Remarque : Ce produit a été testé et déclaré conforme aux limites de un appareil numérique de classe B conformément à la partie 15 des règles de la FCC. Ces limites sont conçus pour fournir une protection raisonnable contre les interférences nuisibles dans une installation résidentielle.

Ce produit génère, utilise et peut émettre de l'énergie radiofréquence, et s'il n'est pas installé et utilisé conformément aux instructions, peut provoquer interférences nuisibles aux communications radio. Cependant, il n'y a pas garantir qu'aucune interférence ne se produira dans une installation particulière. Si ce le produit provoque des interférences nuisibles à la radio ou à la télévision réception, qui peut être déterminée en éteignant et en allumant le produit, le L'utilisateur est encouragé à essayer de corriger les interférences par un ou plusieurs des mesures suivantes.

- Réorientez ou déplacez l'antenne de réception.
- Augmentez la distance entre le produit et le récepteur.
- Connectez le produit à une prise sur un circuit différent de celui auquel le récepteur est connecté.
- Consultez le revendeur ou un technicien radio/TV expérimenté pour obtenir de l'aide.

## Schéma électrique





**VEVOR**<sup>®</sup>

**TOUGH TOOLS, HALF PRICE**

Assistance technique et certificat de garantie  
électronique <https://www.vevor.com/support>



# **VEVOR<sup>®</sup>**

## **TOUGH TOOLS, HALF PRICE**

Technischer Support und E-Garantie-Zertifikat [www.vevor.com/support](http://www.vevor.com/support)

## **AUTOKÜHLSCHRANK**

### **BENUTZERHANDBUCH**

#### **MODELL: X40K X50K**

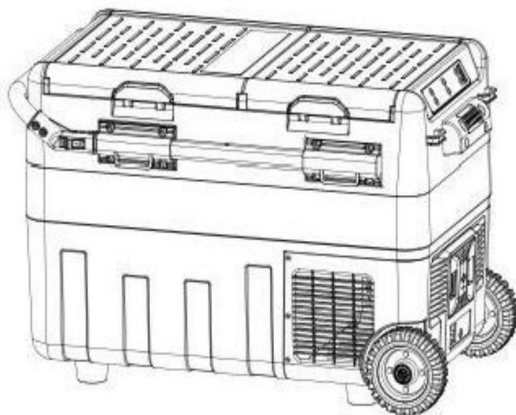
Wir sind weiterhin bestrebt, Ihnen Werkzeuge zu wettbewerbsfähigen Preisen anzubieten.

„Sparen Sie die Hälfte“, „Halber Preis“ oder andere ähnliche Ausdrücke, die wir verwenden, stellen nur eine Schätzung der Ersparnis dar, die Sie beim Kauf bestimmter Werkzeuge bei uns im Vergleich zu den großen Topmarken erzielen können, und decken nicht unbedingt alle von uns angebotenen Werkzeugkategorien ab. Wir möchten Sie freundlich daran erinnern, bei Ihrer Bestellung bei uns sorgfältig zu prüfen, ob Sie im Vergleich zu den großen Topmarken tatsächlich die Hälfte sparen.

# VEVOR®

*Auto Kühlschrank*

**MODELL: X40K X50K**






<Bild nur als Referenz>

## **Brauchen Sie Hilfe? Kontaktieren Sie uns!**

Sie haben Fragen zu unseren Produkten? Sie benötigen technischen Support? Dann kontaktieren Sie uns gerne:

**Technischer Support und E-Garantie-Zertifikat**  
**[www.vevor.com/support](http://www.vevor.com/support)**

Dies ist die Originalanleitung. Bitte lesen Sie alle Anweisungen sorgfältig durch, bevor Sie das Gerät in Betrieb nehmen. VEVOR behält sich eine klare Auslegung unserer Bedienungsanleitung vor. Das Erscheinungsbild des Produkts richtet sich nach dem Produkt, das Sie erhalten haben. Bitte verzeihen Sie uns, dass wir Sie nicht erneut informieren, wenn es Technologie- oder Software-Updates für unser Produkt gibt.

	<p>Warnung-Um das Verletzungsrisiko zu verringern, muss der Benutzer Lesen Sie die Bedienungsanleitung sorgfältig durch.</p>
 	<p>Dieses Produkt unterliegt den Bestimmungen der europäischen Richtlinie 2012/19/EG. Das Symbol einer durchgestrichenen Mülltonne durch bedeutet, dass das Produkt einer getrennten Entsorgung unterliegt Sammlung in der Europäischen Union. Dies gilt für das Produkt und alle mit diesem Symbol gekennzeichneten Zubehörteile. Produkte mit diesem dürfen nicht mit dem normalen Hausmüll entsorgt werden, sondern müssen an einer Sammelstelle für das Recycling von Elektro- und Elektronikgeräten abgegeben werden. elektronische Geräte</p>

### Aufmerksamkeiten

**Bevor Sie den Kühlschrank in Betrieb nehmen, lesen Sie bitte diese Anleitung sorgfältig durch und behalte es richtig**

1. Reinigen Sie den Kühlschrank vor der Inbetriebnahme innen und außen mit einem feuchten Tuch.
2. Füllen Sie den Kühlschrank nicht mit ätzenden Flüssigkeiten. Gießen Sie nicht direkt Flüssigkeiten in den Kühlschrank.
3. Wenn der Kühlschrank längere Zeit nicht benutzt wird, trennen Sie bitte den Netzteil und halten Sie es trocken.
4. Reinigen Sie den Innenraum regelmäßig, um Gerüche und Bakterien zu vermeiden und Gewährleistung der Lebensmittelsicherheit.
5. Schalten Sie den Kühlschrank und die Batterie aus, bevor Sie mit dem Wagen ziehen (Wenn mit Batterie).

### Anschließen der Stromversorgung

1. Suchen Sie das DC-Netzkabel im Kit. Schließen Sie den DC-Stecker an die Steckdose des Autokühlschrank.

2. Platzieren Sie die Kühlschränke gut im Auto (Rücksitz, Sitze ...).
3. Verlegen Sie die Netzkabel im Innenraum Ihres Autos. Stecken Sie den Zigarettenanzünder Stecken Sie den Zigarettenanzünderstecker (eine Seite des Netzkabels) in die Öffnung für den Zigarettenanzünder im Auto.



Adapter



Schließen Sie den Zigarettenanzünder im Auto an



DC 12/24V

Den Autokühlschrank anschließen

1. Der Kühlschrank kann an mehr als eine Energiequelle angeschlossen werden.
2. Der Kühlschrank kann direkt an die DC12V/24V-Stromversorgung angeschlossen werden.
3. Wenn der Kühlschrank ein AC100-240V Netzteil verwendet, ein AC-Adapter übernommen werden.

## Betrieb eines Autokühlschranks

### Referenzspannung für den Autobatterieschutz:

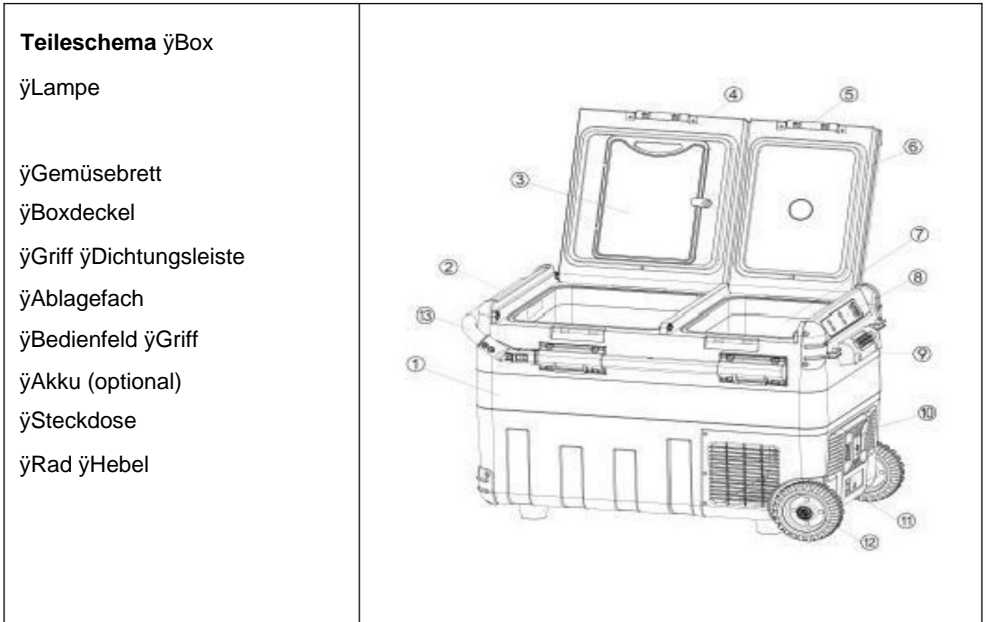
Eingebautes ECO-Elektroniksteuermodul kann das Auto automatisch überwachen Batteriespannung. Der Kühlschrank wird automatisch abgeschaltet, wenn die Strom wird übermäßig verbraucht, wodurch der Batterieverbrauch vor zu niedrig, um eine Selbstzündung zu bewirken.

Batterie Stromspannung	Werkseitig voreingestellter Spannungsschutzwert H		
	H-Pegel (hoch)	M (mittel) Ebene	L-Pegel (niedrig)
Gleichstrom 12 V	DC11,3 V AUS DC12,5 V EIN	DC10,1V AUS DC11,4 V EIN	DC9,6V AUS DC10,9 V EIN

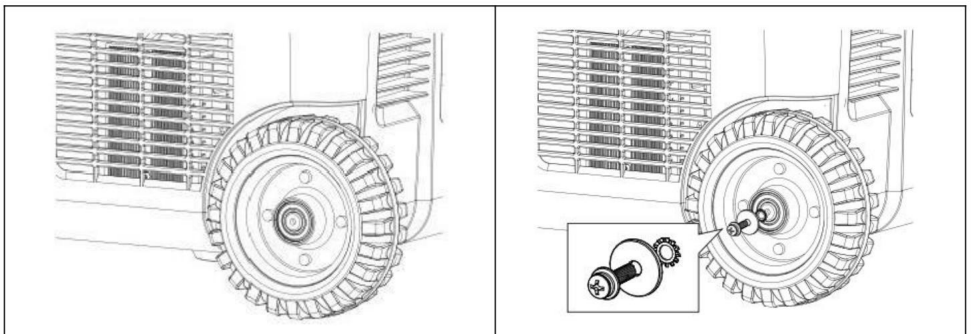
Gleichstrom 24 V	DC24,6V AUS DC26.0V EIN	DC22,3V AUS DC23,7 V EIN	DC21,3V AUS DC22,7 V EIN
------------------	----------------------------	-----------------------------	-----------------------------

**Hinweis:** Wenn die Stromversorgung angeschlossen und der Kühlschrank eingeschaltet ist, bezieht sich das Trennen oder Starten auf das Trennen oder Starten des Kompressors.

### Komponentendiagramm



### Installiert die Walze



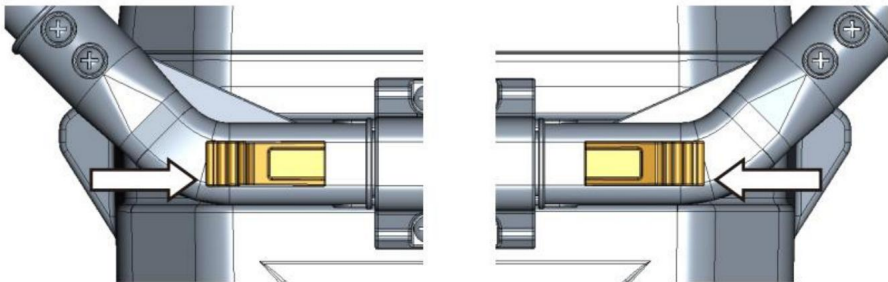
Setzen Sie die Rolle in die Rollenwelle ein

Mit einem Schraubendreher festziehen  
Bildreihenfolge

### Anleitung für die Rute

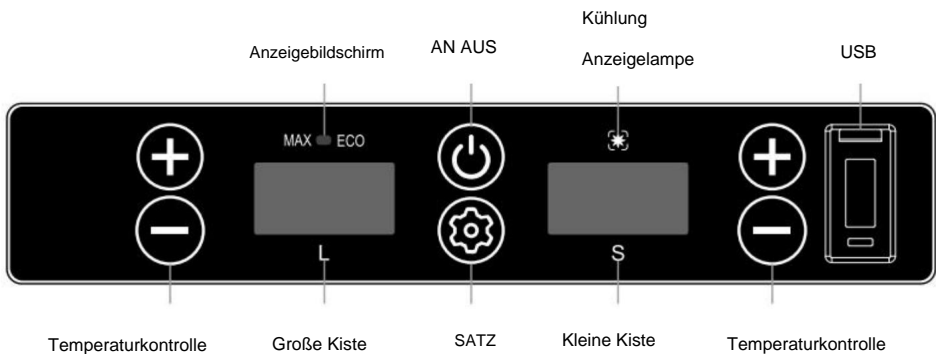
Wenn sich die Zugstange im verriegelten Zustand nicht herausziehen lässt,

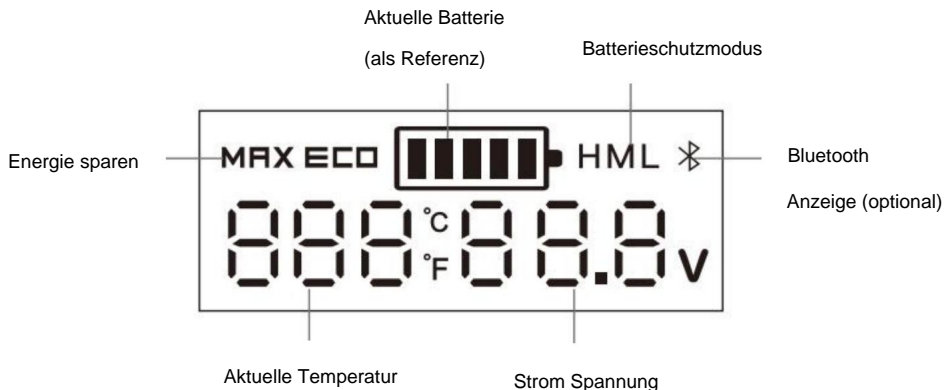
Mit der Entriegelungstaste lässt sich der Verriegelungszustand aufheben, und die Zugstange kann herausgezogen, wie in der Abbildung gezeigt:




Zum Entsperren drücken Sie die linke/rechte Pfeiltaste.

### Optionale Betriebsmethode










• **Stromversorgung:** Anschluss an DC 12V/24V oder AC 100-240V Strom (mit dedizierter Adapter).


• **Initialisierung des Displays:** Nach dem Einschalten wird die Digitalanzeige eine Sekunde lang vollständig eingeschaltet und dann normal angezeigt. Die Standardeinstellung ist die letzte Speicherfunktion. Im Standby-Zustand wird die Temperatur auf dem Display angezeigt.  Ist


• **Ein-/Ausschalten:** drücken  zum Ein-/Ausschalten.


• **Temperatureinstellung:** Drücken Sie im Betriebszustand , um die Temperatur zu erhöhen. Temperatur, und drücken Sie , um die Temperatur zu senken; drücken Sie weiterhin  oder , um die Temperatur schnell anpassen. Die Einstellung wird automatisch gespeichert nach einer Betriebsunterbrechung von drei Sekunden.

Temperatur-Einstellbereich: -20 bis 20 °C (-4 bis 68 °F)

• **Temperatureinheit einstellen:** im Betriebszustand lange auf  drücken. gleichzeitig drei Sekunden lang gedrückt, um zwischen Celsius und Fahrenheit umzuschalten.

• **Kühlmodus:** im Betriebszustand drücken, um MAX (schnell)  umzuschalten (Kühlung) und ECO (Energiesparmodus). (\*Werkseinstellung ist MAX.)

• **Batterieschutzmodus:** im laufenden Zustand lange drücken oder dreimal 

Sekunden, bis der Bildschirm blinkt, dann erneut drücken, um  den Schutzmodus auszuwählen

H1, N2, L3, nachdem keine Tastenbetätigung erkannt wird, stellen Sie den entsprechenden Gang ein  
5 Sekunden flackern, Einstellung verlassen und speichern.

**·Power-off Memory-Funktion:** Es gibt eine Power-off Memory-Funktion für Autokühlschränke. Bei einem Stromausfall kann der Betriebszustand (Ein-/Aus-Status, Betriebsmodus usw.) vor dem Ausschalten automatisch wiederhergestellt werden. beim nächsten Start, keine erneute Einstellung nötig. ECO: Energiesparendes Kühlen MAX: Leistungsstarke Kühlung.

## Einfache Fehleranalyse

**Tipp:** Wenn sich ungewöhnliche Situationen nicht durch eine einfache Störung beheben lassen Analyse, kontaktieren Sie bitte unseren professionellen Kundenservice für Hilfe.

### Autokühlschrank funktioniert nicht

1. Überprüfen Sie, ob die Stromversorgung richtig angeschlossen ist. (Überprüfen Sie, ob der Stecker locker ist bzw. Plus- und Minuspole sind vertauscht).
2. Prüfen Sie, ob der Netzschalter auf dem Bedienfeld eingeschaltet ist.
3. Überprüfen Sie, ob die Kühlungsbeflüchtung normal ist.
4. Überprüfen Sie, ob die Sicherung durchgebrannt ist.

### Schlechte Kühlleistung

1. Prüfen Sie, ob der Deckel richtig geschlossen ist.
2. Prüfen Sie, ob die Türdichtung beschädigt oder deformiert ist.
3. Überprüfen Sie, ob die Belüftung rund um die Kühlschränke unzureichend ist.
4. Prüfen Sie, ob die Temperatur richtig eingestellt ist.

### Definition der Fehlercodes auf dem Display

Fehlercode	Fehlertyp
E1	Niedrige Eingangsspannung
E2	Lüfterfehler
E3	Kompressorstart fehlgeschlagen
E4	Niedrige Drehzahl des Kompressors



E5	Temperatur des Reglermoduls zu hoch
E6	Unterbrechung oder Kurzschluss des NTC

### **Ungewöhnliches Geräusch**

1. Der Autokühlschrank steht nicht gerade.
2. Berühren Sie eine Wand oder ein anderes Objekt.
3. Im Inneren sind Teile lose oder fallen ab.

### **Kondensation auf der Kühlschrankoberfläche**

Wenn die Luftfeuchtigkeit der Umgebung 75 % übersteigt, tritt leichte Kondensation auf der Kartonoberfläche auf, was normal ist.

## **Fehler und Lösungen**

### **ÿE1: Niedrige Eingangsspannung**

Fehler 1: Stecken Sie das Netzkabel des Kühlschranks in den Zigarettenanzünder, bevor Sie das Auto startet. Lösung 1: Warten Sie nach dem Start eine Weile, bevor Sie das Auto anschließen.

Fehler 2: Die Eingangsspannung des Adapters ist zu niedrig.

Lösung 2: Stellen Sie den Batterieschutzpegel auf Mittelspannung ein oder Niederspannung. Wenn es nicht funktioniert, ersetzen Sie es bitte durch einen neuen Adapter.

### **ÿE2: Lüfterfehler**

Bitte ersetzen Sie den Lüfter durch einen neuen, wenn Sie eine Fehlfunktion feststellen.

### **ÿE3: Eingangsspannungsfehler aufgrund häufigen Startens des Kompressors**

Wenn der Kühlschrank im Auto verwendet wird und E3 erscheint, schalten Sie ihn bitte aus für 5 Minuten herunterfahren und dann neu starten.

Wenn es nicht funktioniert, kann das als EI-Fehler identifiziert werden; bitte lösen Sie es nach der Lösung von EI.

Wenn der Kühlschrank mit dem Adapter verbunden ist und E3 erscheint

ÿ Bitte stellen Sie den Batterieschutz auf die mittlere oder niedrige Stufe ein. ÿ Wenn das nicht funktioniert, ersetzen Sie den Adapter bitte durch einen neuen.

#### ÿE4: Niedrige Drehzahl des Kompressors

Bitte passen Sie die Eingangsspannung an und schalten Sie es erneut ein.

#### ÿE5: Überhitzung des Controller-Chips

Schalten Sie das Gerät für 5 Minuten aus und prüfen Sie, ob die schlechte Belüftung um das Der Kompressor verursacht die Überhitzung.

## Packliste

NEIN.	Artikel		Anmerkung
1	Kühlschrank	Menge 1 Satz	
2	Zigarettenrauch	1 Satz	
3	Netzteil	1 Satz	
4	Handbuch	1 Stück	
5	Rolle	2 Stck.	
6	Schraubendreher	1 Stück	

## Vorschläge verwenden

1. Wenn Sie eine Backup-Batterie haben, können Sie jede gewünschte Temperatur aufrechterhalten. unter allen Umständen ohne Bedenken eingestellt werden.
2. Wenn Sie Eiscreme einfüllen, stellen Sie die Temperatur bitte auf die niedrigste Stufe ein. muss längere Zeit eingeschaltet sein.
3. Verhindern Sie die gesundheitlichen Probleme durch das Trinken von Flaschenwasser, die durch hohe Temperaturen.
4. Tiefkühlkost, seltene Meeresfrüchte und Fahrzeugkühlschränke lassen gefrorene frische Lebensmittel begleiten die Reise.

5. Gesundheitsprodukte, Insulin und importierte Medikamente müssen gekühlt werden, und die genaue Temperaturkontrolle der Kühlschränke an Bord wird Gesundheit auf dem Weg.
6. Die Teeblätter bleiben im Autokühlschrank effektiv frisch und Sie können während der Autotour jederzeit frischen und köstlichen Tee trinken.
7. Die beste Lagertemperatur für Rotwein beträgt 10 °C – 18 °C (50 – 64,4 °F). Die präzise Temperaturregelung des Autokühlschranks kann effektiv Achten Sie auf die Lagertemperatur des Rotweins.
8. Die Lagerzeit von hochwertigem Obst im Auto im Hochsommer Temperaturen werden mindestens 2 Stunden betragen. Die Lagerzeit ist kürzer, auch wenn die Klimaanlage ist eingeschaltet. Die Verwendung eines Autokühlschranks kann effektiv hochwertiges Obst konservieren.
9. Die Beschichtung hochwertiger Sonnenbrillen fällt unter der hohen Temperaturen im Sommer. Der Autokühlschrank ist ein idealer Ort, um ihn aufzustellen.
10. Hochwertige Kosmetika verderben bei hohen Temperaturen schnell in das Auto. Nehmen Sie Kosmetika mit ins Auto; der Autokühlschrank ist Ihr besserer Auswahl.

## **Sicherheitsvorkehrungen**

- (1) Stellen Sie sicher, dass die an den Bordkühlschrank angeschlossene Netzspannung jederzeit korrigieren  
(Die Parameter sind mit den zugelassenen Spannungsparametern des Kühlschranks an Bord).
- (2) Gießen Sie keine Flüssigkeiten direkt in den Autokühlschrank.
- (3) Das eigenmächtige Verändern des Kühlschranks ist verboten, um Gefahr.
- (4) Dieses Gerät ist nicht für den Gebrauch durch Personen (einschließlich Kinder) bestimmt mit eingeschränkten körperlichen, sensorischen oder geistigen Fähigkeiten oder mangelnder Erfahrung und Wissen, es sei denn, sie werden beaufsichtigt oder angewiesen über die Verwendung des Gerätes durch eine Person, die für deren Sicherheit.
- (5) Kinder sollten beaufsichtigt werden, um zu vermeiden, dass sie mit dem Gerät spielen.

(6) Dieses Gerät kann von Kindern ab 8 Jahren benutzt werden.

und Personen mit eingeschränkten physischen, sensorischen oder geistigen Fähigkeiten oder Mangel erfahrungs- und kenntnisbezogen, wenn sie beaufsichtigt werden oder Anweisungen zur sicheren Verwendung des Geräts gelesen und verstanden haben. die damit verbundenen Gefahren. Kinder dürfen nicht mit dem Gerät spielen. Reinigung und die Benutzerwartung dürfen nicht von Kindern ohne Aufsicht durchgeführt werden.

(7) Um eine Gefährdung durch Instabilität des Gerätes zu vermeiden, muss dieses gemäß den Anweisungen.

(8) Lagern Sie keine explosiven Stoffe wie z. B. Spraydosen mit einer brennbares Treibmittel in diesem Gerät.

**WARNUNG:** Dieses Gerät enthält brennbares Schaummittel

Cyclopentan:

- 1) Bitte vermeiden Sie Kontaktfeuer beim Transport und Gebrauch.
- 2) Bitte wenden Sie sich bei einer Störung der Maschine an einen Fachmann zur Wartung.
- 3) Bitte schicken Sie es bei der Entsorgung an Ihre örtliche Entsorgungsstation.

Es.



**ACHTUNG:** Achten Sie bei der Verwendung, Wartung und Entsorgung des Gerätes auf ein Symbol ähnlich dem auf der linken Seite, das sich auf der Geräterückseite (Rückwand oder Kompressor) und mit gelben oder orange Farbe. Es ist ein Warnsymbol für Brandgefahr. Es gibt brennbare Materialien in Kältemittelleitungen und Kompressoren. Bitte seien Sie weit weg Feuer Quelle während der Verwendung, Wartung und Entsorgung.

## FCC-Informationen

**ACHTUNG:** Änderungen oder Modifikationen, die nicht ausdrücklich von der Partei genehmigt wurden Verantwortlichen kann die Berechtigung des Benutzers zum Betrieb des Ausrüstung!

Dieses Gerät entspricht Teil 15 der FCC-Bestimmungen. Der Betrieb unterliegt die folgenden beiden Bedingungen:

- 1) Dieses Produkt kann schädliche Störungen verursachen.

2) Dieses Produkt muss alle Störungen akzeptieren, einschließlich Störungen, die zu unerwünschtem Betrieb führen können.

**ACHTUNG:** Änderungen oder Modifikationen an diesem Produkt, die nicht ausdrücklich von der für die Einhaltung verantwortlichen Partei genehmigt werden, kann zum Erlöschen der Berechtigung zum Betrieb des Produkts.

**Hinweis:** Dieses Produkt wurde getestet und entspricht den Grenzwerten für ein digitales Gerät der Klasse B gemäß Teil 15 der FCC-Regeln. Diese Grenzwerte sind so konzipiert, dass sie einen angemessenen Schutz gegen schädliche Störungen bieten in einer Wohnanlage.

Dieses Produkt erzeugt und verwendet Hochfrequenzenergie und kann diese auch ausstrahlen.

Wenn die Installation und Verwendung nicht gemäß den Anweisungen erfolgt, kann dies zu Störungen des Funkverkehrs. Es gibt jedoch keine

garantieren, dass bei einer bestimmten Installation keine Störungen auftreten. Wenn dies

Das Produkt verursacht Störungen beim Radio- und Fernsehempfang

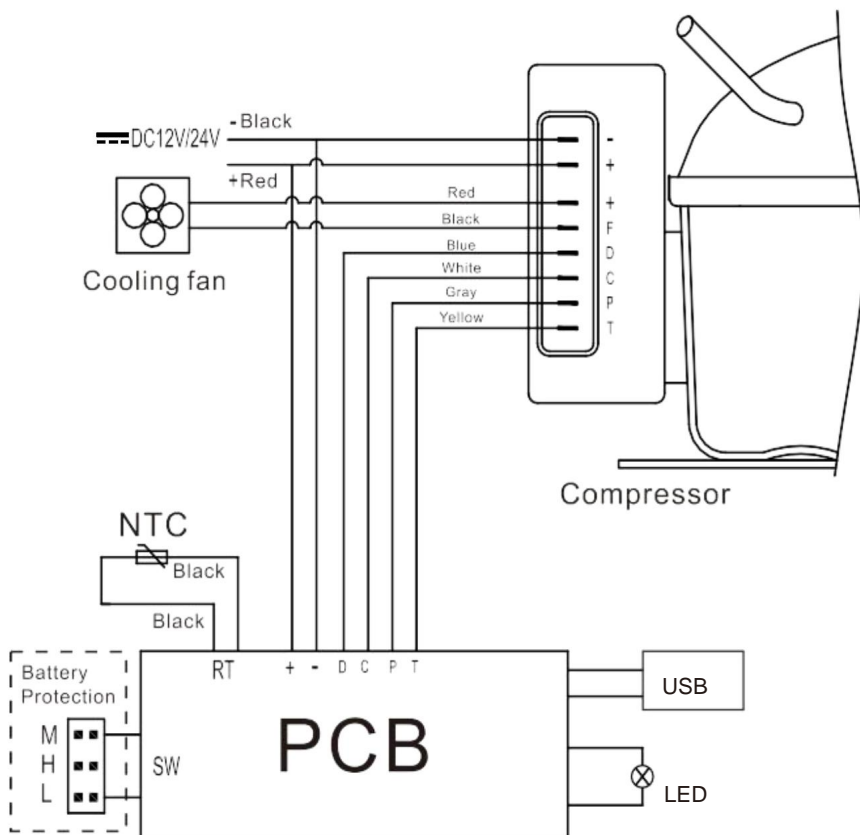
Empfang, der durch Aus- und Einschalten des Produkts überprüft werden kann,

Der Benutzer wird aufgefordert, die Störung durch eine oder mehrere der folgenden Maßnahmen zu beheben:

Maßnahmen.

- Empfangsantenne neu ausrichten oder verlegen.
- Vergrößern Sie den Abstand zwischen Produkt und Empfänger.
- Schließen Sie das Produkt an eine Steckdose eines anderen Stromkreises an als den, an den der Receiver ist angeschlossen.
- Wenden Sie sich an den Händler oder einen erfahrenen Radio-/Fernsehtechniker.

# Elektrisches Schaltbild





**VEVOR**<sup>®</sup>

**TOUGH TOOLS, HALF PRICE**

**Technischer Support und E-Garantie-Zertifikat**

**<https://www.vevor.com/support>**



# **VEVOR<sup>®</sup>**

## **TOUGH TOOLS, HALF PRICE**

Supporto tecnico e certificato di garanzia elettronica [www.vevor.com/support](http://www.vevor.com/support)

## **FRIGORIFERO PER AUTO**

### **MANUALE D'USO**

#### **MODELLO: X40K X50K**

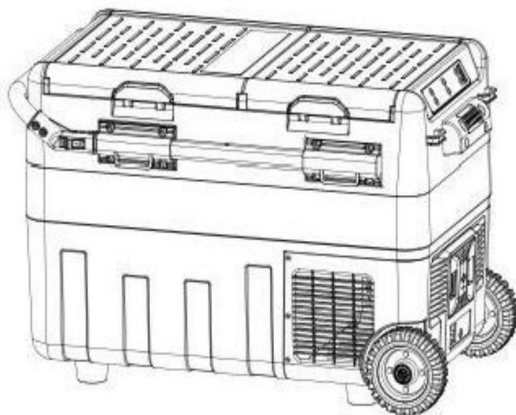
Continuiamo a impegnarci per fornirvi strumenti a prezzi competitivi.

"Risparmia la metà", "Metà prezzo" o qualsiasi altra espressione simile da noi utilizzata rappresenta solo una stima del risparmio che potresti trarre dall'acquistare determinati strumenti con noi rispetto ai principali marchi più importanti e non significa necessariamente coprire tutte le categorie di strumenti offerti da noi. Ti ricordiamo di verificare attentamente quando effettui un ordine con noi se stai effettivamente risparmiando la metà rispetto ai migliori marchi principali.

# VEVOR®

*Frigorifero per auto*

**MODELLO:X40K X50K**






<Solo immagine per riferimento>

## **HO BISOGNO DI AIUTO? CONTATTACI!**

Hai domande sul prodotto? Hai bisogno di supporto tecnico? Non esitate a contattarci:

**Supporto tecnico e certificato di garanzia  
elettronica [www.vevor.com/support](http://www.vevor.com/support)**

Queste sono le istruzioni originali, leggere attentamente tutte le istruzioni del manuale prima dell'uso. VEVOR si riserva una chiara interpretazione del nostro manuale d'uso. L'aspetto del prodotto sarà soggetto al prodotto ricevuto. Ti preghiamo di perdonarci se non ti informeremo più se sono presenti aggiornamenti tecnologici o software sul nostro prodotto.

	<p>Avvertenza: per ridurre il rischio di lesioni, l'utente deve leggere attentamente il manuale di istruzioni.</p>
 	<p>Questo prodotto è soggetto alle disposizioni della Direttiva Europea 2012/19/CE. Il simbolo che mostra un bidone della spazzatura barrato attraverso indica che il prodotto necessita di raccolta differenziata raccolta nell'Unione Europea. Questo vale per il prodotto e tutti gli accessori contrassegnati da questo simbolo. Prodotti contrassegnati come tali non possono essere smaltiti con i normali rifiuti domestici, ma devono essere portati in un punto di raccolta per il riciclaggio di materiale elettrico e dispositivi elettronici</p>

## Attenzioni

**Prima di utilizzare il frigorifero, leggere attentamente questo manuale e tenerlo correttamente**

1. Prima di utilizzare il frigorifero, pulirlo internamente ed esternamente con un panno umido stoffa.
2. Non riempire il frigorifero con liquidi corrosivi. Non versare direttamente liquidi nel frigorifero.
3. Quando il frigorifero non viene utilizzato per un lungo periodo, scollegare il cavo alimentazione e tenerlo asciutto.
4. Pulire regolarmente la camera interna per evitare odori e batteri garantire la sicurezza alimentare.
5. Spegnerne il frigorifero e la batteria prima di tirare con il carrello (Se presente batteria).

## Collegare l'alimentatore

1. Trova il cavo di alimentazione CC nel kit. Collegare la spina CC alla presa di corrente di il frigorifero dell'auto.

2. Posizionare bene i frigoriferi nell'auto (backup, sedili...).
3. Disporre i cavi di alimentazione in base allo spazio interno dell'auto. Inserisci la sigaretta spina dell'accendisigari (un lato del cavo di alimentazione) nel foro dell'accendisigari dell'auto.



Adattatore



Collegare l'accendisigari dell'auto



DC 12/24V

Collega il frigorifero dell'auto

1. Il frigorifero può essere collegato a più fonti di energia.
2. Il frigorifero può essere collegato direttamente all'alimentazione DC12V/24V.
3. Se il frigorifero viene utilizzato con un alimentatore CA 100-240 V, un adattatore CA dovrebbe essere adottato.

## Funzionamento del frigorifero per auto

### Riferimento di tensione di protezione della batteria dell'auto:

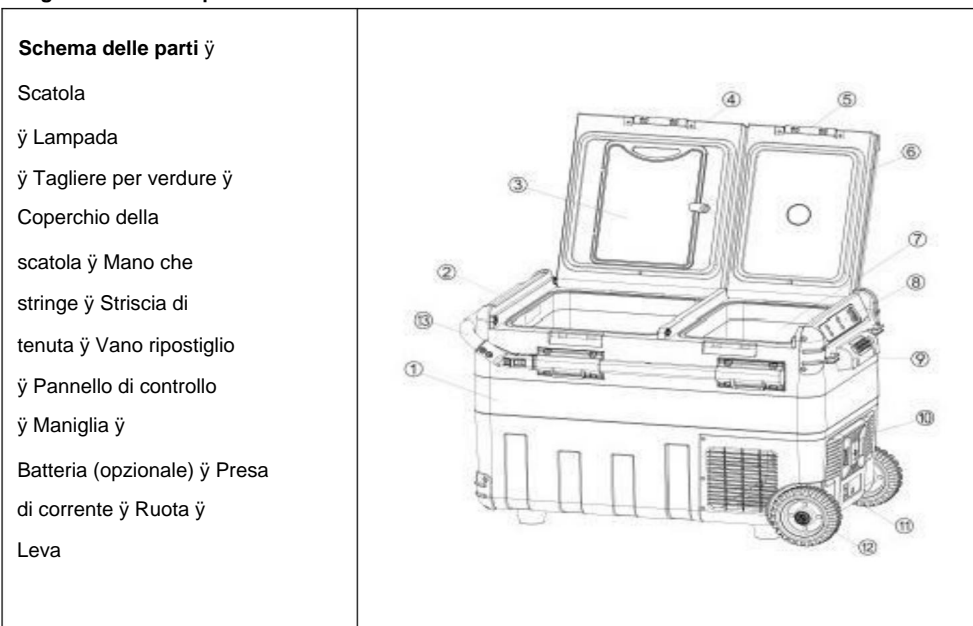
Il modulo di controllo elettronico ECO integrato può monitorare automaticamente l'auto voltaggio batteria. Il frigorifero si spegnerà automaticamente quando l'energia viene consumata eccessivamente, proteggendo il consumo della batteria essere troppo basso per influenzare l'autoaccensione.

Batteria Voltaggio	Valore di protezione della tensione predefinito in fabbrica H		
	Livello H (alto).	M (medio) livello	Livello L (basso).
CC 12 V	11,3 V CC SPENTO CC 12,5 V ACCESO	CC 10,1 V SPENTO 11,4 V CC ACCESO	DC9.6V SPENTO CC 10,9 V ACCESO

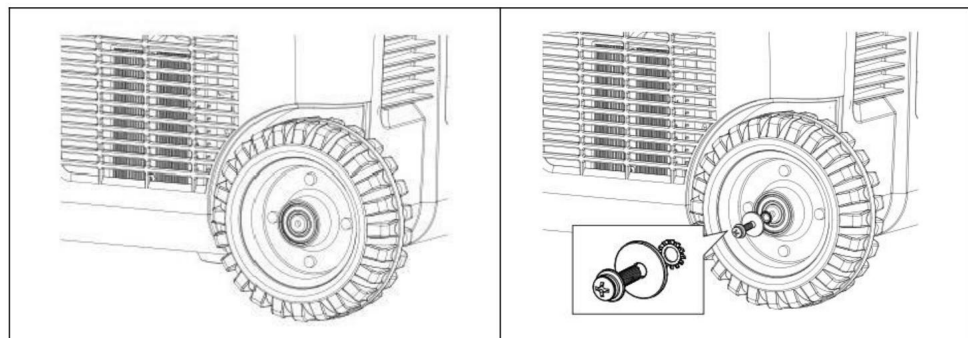
DC24V	24,6 V CC SPENTO	22,3 V CC SPENTO	21,3 V CC SPENTO
	CC 26,0 V ACCESO	CC 23,7 V ACCESO	CC 22,7 V ACCESO

**Nota:** quando l'alimentazione è collegata e il frigorifero è acceso, scollegare o avviare si riferisce allo scollegamento o all'avvio del compressore.

### Diagramma dei componenti



### Installa il rullo



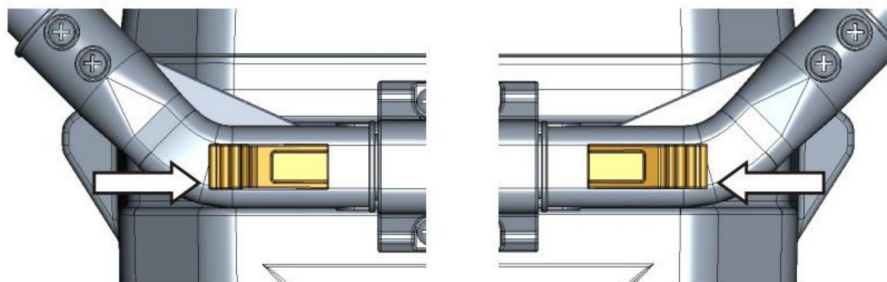
Inserire il rullo nell'albero del rullo

Utilizzare un cacciavite per serrare

ordine delle immagini

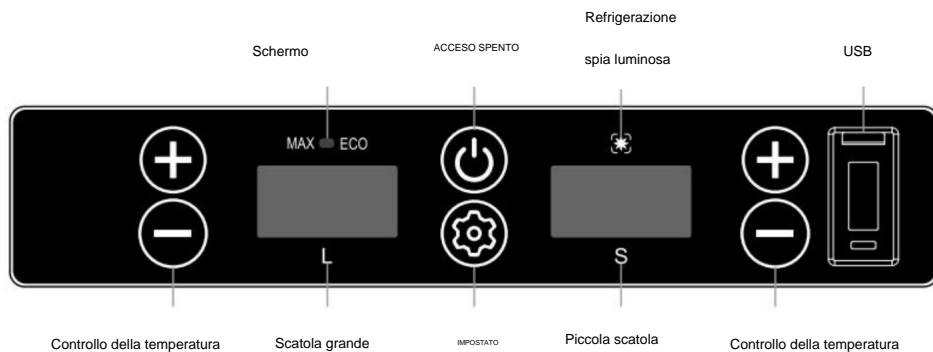
### Istruzioni per l'asta

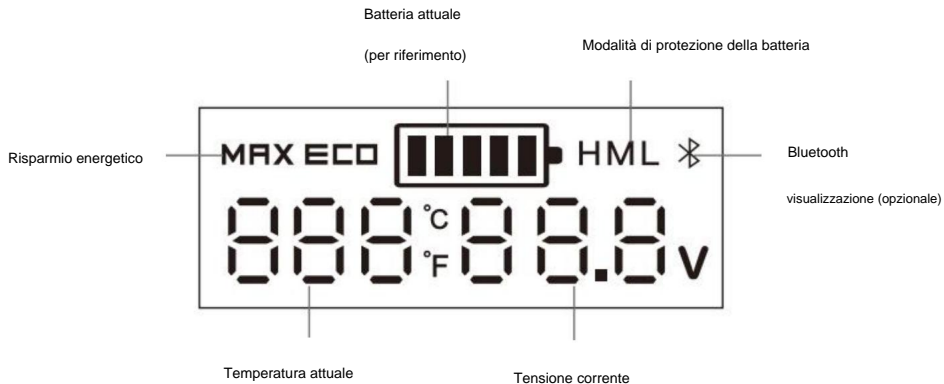
Se non è possibile estrarre l'asta di trazione quando è nello stato bloccato, azionarla il pulsante di sblocco per rimuovere lo stato di blocco e l'asta di trazione può essere estratto, come mostrato in figura:



Premere i pulsanti sinistra/destra nella freccia per sbloccare.

### Metodo operativo opzionale



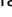





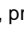
**•Alimentazione:** collegare all'alimentazione CC 12 V/24 V o CA 100-240 V (utilizzando adattatore dedicato).


**•Inizializzazione della schermata di visualizzazione:** dopo l'accensione, il display digitale è completamente acceso per un secondo, quindi visualizzato normalmente. L'impostazione predefinita è l'ultima funzione di memoria. In stato di standby, la temperatura del display è luminosa.



**•Accensione/spengimento:** premere  per accendere/spengere.

**•Impostazione della temperatura:** in stato di funzionamento, premere  per aumentare temperatura e premere  per diminuire la temperatura; continuare a premere  o  per regolazione rapida della temperatura. L'impostazione verrà salvata automaticamente dopo aver smesso di funzionare per tre secondi.

Intervallo di impostazione della temperatura: -20~20(°C) (-4~68(°F))

**•Impostazione dell'unità di temperatura:** in stato di funzionamento, premere a lungo  stessa ora per tre secondi per passare da Celsius a Fahrenheit.

**•Modalità di raffreddamento:** in stato di funzionamento, premere  per commutare MAX (veloce raffreddamento) ed ECO (modalità di risparmio energetico).(\*L'impostazione di fabbrica è MAX.)

**•Modalità di protezione della batteria:** in stato di funzionamento, premere a lungo o tre  secondi finché lo schermo non lampeggia, quindi premere  nuovamente per selezionare la modalità di protezione

H1ÿN2ÿL3, dopo che non viene rilevata alcuna azione chiave, imposta la marcia corrispondente

sfarfalio per 5 secondi, uscire dall'impostazione e salvare.

**Funzione di memoria di spegnimento:** è presente una funzione di memoria di spegnimento per frigoriferi per auto. In caso di interruzione dell'alimentazione, lo stato di funzionamento (stato On/Off, modalità di funzionamento, ecc.) prima dello spegnimento può essere ripristinato automaticamente al prossimo avvio; non è necessario impostarlo nuovamente. ECO: Raffreddamento a risparmio energetico MAX: Raffreddamento potente.

## Analisi semplice dei guasti

**Consiglio:** Se le situazioni anomale non possono essere risolte attraverso un semplice guasto analisi, ti preghiamo di contattare il servizio clienti professionale per assistenza.

### Il frigorifero dell'auto non funziona

1. Verificare se l'alimentazione è collegata correttamente. (controllare se la spina è allentata oppure i poli positivo e negativo sono invertiti).
2. Controllare se l'interruttore di alimentazione sul pannello operativo è acceso.
3. Controllare se la ventilazione di raffreddamento è normale.
4. Controllare se il fusibile è bruciato.

### Scarse prestazioni di raffreddamento

1. Controllare se il coperchio è chiuso correttamente.
2. Controllare se la guarnizione della porta è danneggiata o deformata.
3. Controllare se la ventilazione attorno ai frigoriferi è scarsa.
4. Controllare se la temperatura è impostata correttamente.

### Definizione dei codici di errore sul display

Codice di errore	Tipo di errore
E1	Bassa tensione in ingresso
E2	Guasto della ventola
E3	Avvio del compressore non riuscito
E4	Bassa velocità di rotazione del compressore



E5	La temperatura del modulo controller è troppo alta
E6	Circuito aperto o cortocircuito dell'NTC

### **Rumore anormale**

1. Il frigorifero dell'auto non è posizionato correttamente.
2. Toccare un muro o un altro oggetto.
3. All'interno sono presenti parti allentate o cadute.

### **Condensa sulla superficie del frigorifero**

Quando l'umidità dell'aria ambiente supera il 75%, si formerà una leggera condensa si verificano sulla superficie della scatola, il che è normale.

## **Fallimenti e soluzioni**

### **ÿE1: tensione in ingresso bassa**

Errore 1: inserire prima il cavo di alimentazione del frigorifero nell'accendisigari la macchina parte. Soluzione 1: attendere qualche istante per connettere l'auto dopo l'avvio.

Errore 2: la tensione di ingresso dell'adattatore è troppo bassa.

Soluzione 2: regolare il livello di protezione della batteria su media tensione o basso voltaggio. Se non funziona, sostituire un nuovo adattatore.

### **ÿE2: Guasto ventola**

Sostituire una nuova ventola quando si identifica un malfunzionamento della ventola.

### **ÿE3: Errore di tensione in ingresso dovuto all'avvio frequente del compressore**

Quando si utilizza il frigorifero in macchina e viene visualizzato E3, chiuderlo premuto per 5 minuti e riavviarlo.

Se non funziona, può essere identificata come colpa di EI; per favore risolverlo secondo la soluzione di EI.

Quando il frigorifero si collega con l'adattatore e viene visualizzato E3

ÿ Regolare il livello di protezione della batteria su un livello medio o basso. ÿ Se non funziona, sostituire un nuovo adattatore.

#### **ÿE4: Bassa velocità di rotazione del compressore**

Si prega di regolare la tensione di ingresso e rialmentarlo.

#### **ÿE5: Surriscaldamento del chip del controller**

Si prega di spegnere per 5 minuti e controllare se la ventilazione intorno è scadente il compressore provoca il surriscaldamento.

### **Lista imballaggio**

<b>NO.</b>	<b>Articolo</b>		<b>Osservazione</b>
1	Frigorifero	Quantità 1 set	
2	Filo di sigaretta	1 set	
3	Adattatore di alimentazione	1 set	
4	Manuale	1 pz	
5	Rullo	2 pezzi	
6	Cacciavite	1 pz	

### **Usa i suggerimenti**

1. Se dotato di batteria di riserva, è possibile mantenere qualsiasi temperatura desiderata impostare in qualsiasi circostanza senza preoccupazioni.
2. Quando si posiziona il gelato, regolare la temperatura al minimo; Esso deve essere acceso per molto tempo.
3. Prevenire i problemi di salute derivanti dal consumo di acqua in bottiglia causati dall'effetto sballato temperature.
4. Alimenti congelati, frutti di mare rari e frigoriferi montati su veicoli congelati cibi freschi accompagnano il viaggio.

5. I prodotti sanitari, l'insulina e i farmaci importati devono essere refrigerati e il controllo preciso della temperatura dei frigoriferi di bordo accompagnerà salute lungo la strada.
6. Le foglie di tè vengono effettivamente mantenute fresche nel frigorifero dell'auto e tu puoi bere un tè fresco e delizioso in qualsiasi momento durante il tour senza guida.
7. La migliore temperatura di conservazione del vino rosso è 10 °C - 18 °C (50 - 64,4 °F). Il controllo preciso della temperatura del frigorifero dell'auto può essere efficace garantire la temperatura di conservazione del vino rosso.
8. Il tempo di conservazione della frutta di alta qualità in macchina in piena estate le temperature saranno di almeno 2 ore. Anche se il tempo di conservazione è più breve il condizionatore è acceso. L'uso di un frigorifero per auto può essere efficace conservare frutta di alta qualità.
9. Il rivestimento degli occhiali da sole di alta qualità cadrà sotto gli occhiali temperatura in estate. Il frigorifero dell'auto è il luogo ideale dove posizionarlo.
10. I cosmetici di alta qualità si deteriorano rapidamente alle alte temperature l'auto. Portare cosmetici con l'auto; il frigorifero dell'auto sarà il tuo meglio scelta.

## Misure di sicurezza

- (1) Assicurarsi che la tensione di alimentazione collegata al frigorifero di bordo sia correggere in qualsiasi momento (I parametri sono etichettati con i parametri di tensione approvati del frigorifero di bordo).
- (2) Non versare liquidi direttamente nel frigorifero dell'auto.
- (3) È vietato evitare modifiche al frigorifero senza autorizzazione Pericolo.
- (4) Questo apparecchio non è destinato all'uso da parte di persone (compresi i bambini) con ridotte capacità fisiche, sensoriali o mentali o con mancanza di esperienza e conoscenza a meno che non abbiano ricevuto supervisione o istruzioni riguardanti l'uso dell'apparecchio da parte di una persona responsabile sicurezza.
- (5) I bambini devono essere sorvegliati per evitare di giocare con l'apparecchio.

(6) Questo apparecchio può essere utilizzato da bambini di età pari o superiore a 8 anni e persone con capacità o carenze fisiche, sensoriali o mentali ridotte di esperienza e conoscenza se hanno ricevuto supervisione o istruzioni relative all'uso dell'apparecchio in modo sicuro e comprenderle i rischi connessi. I bambini non devono giocare con l'apparecchio. Pulizia e la manutenzione da parte dell'utente non deve essere eseguita da bambini senza supervisione.

(7) Per evitare pericoli dovuti all'instabilità dell'apparecchio, è necessario fissarlo sotto le istruzioni.

(8) Non conservare sostanze esplosive come bombolette spray con a propellente infiammabile in questo apparecchio.

**AVVERTENZA:** questo apparecchio contiene agente schiumogeno infiammabile ciclopentano:

- 1) Evitare il contatto con il fuoco durante il trasporto e l'utilizzo.
- 2) In caso di guasto della macchina, rivolgersi a un professionista per la manutenzione.
- 3) Si prega di inviarlo al centro di smaltimento locale designato al momento dello smaltimento

Esso.



**ATTENZIONE:** Durante l'uso, la manutenzione e lo smaltimento dell'apparecchio, prestare attenzione a un simbolo simile a quello sul lato sinistro, che si trova sul retro dell'apparecchio (pannello posteriore o compressore) e con il giallo o colore arancione. È un simbolo di pericolo di incendio. Ci sono sostanze infiammabili materiali nei tubi del refrigerante e nei compressori. Per favore, stai lontano dal fuoco fonte durante l'uso, la manutenzione e lo smaltimento.

## Informazioni FCC

**ATTENZIONE:** Variazioni o modifiche non espressamente approvate dalla parte responsabile della conformità potrebbe annullare l'autorità dell'utente a utilizzare il attrezzatura!

Questo dispositivo è conforme alla Parte 15 delle norme FCC. L'operazione è soggetta a le seguenti due condizioni:

- 1) Questo prodotto può causare interferenze dannose.

2) Questo prodotto deve accettare qualsiasi interferenza ricevuta, inclusa interferenze che potrebbero causare un funzionamento indesiderato.

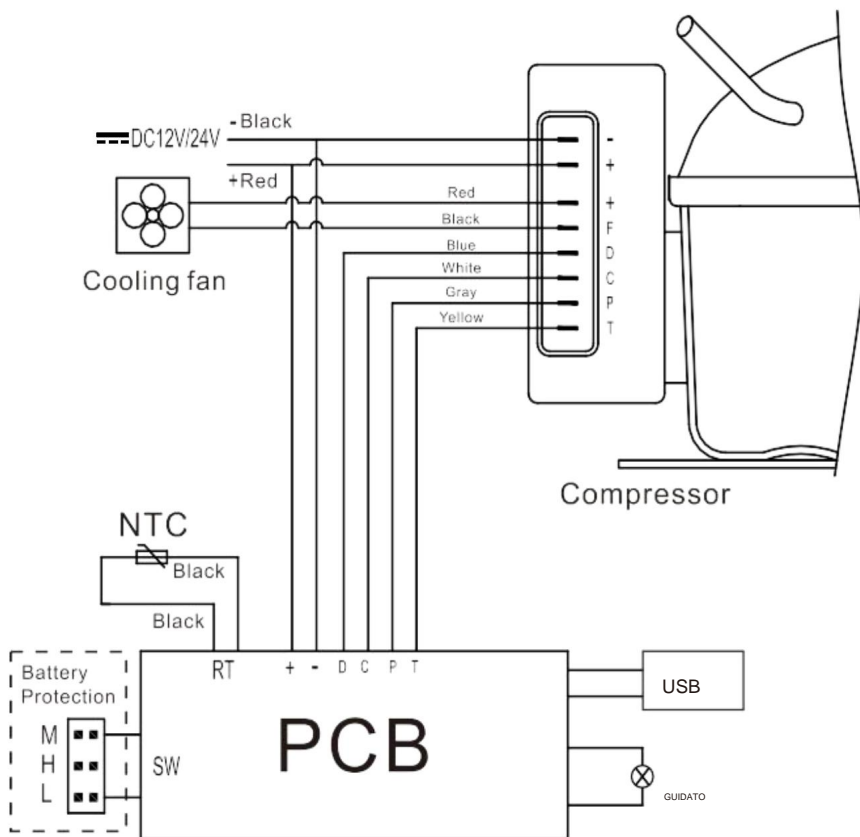
**ATTENZIONE:** cambiamenti o modifiche a questo prodotto non espressamente approvato dalla parte responsabile della conformità potrebbe invalidare quella dell'utente autorità per utilizzare il prodotto.

**Nota:** questo prodotto è stato testato ed è risultato conforme ai limiti previsti per un dispositivo digitale di Classe B ai sensi della Parte 15 delle Norme FCC, Questi limiti sono progettati per fornire una protezione ragionevole contro interferenze dannose in un'installazione residenziale.

Questo prodotto genera, utilizza e può irradiare energia in radiofrequenza e se non installato e utilizzato secondo le istruzioni, potrebbe causare interferenze dannose alle comunicazioni radio. Tuttavia, non c'è garantire che non si verifichino interferenze in una particolare installazione. Se questo il prodotto causa interferenze dannose alla radio o alla televisione ricezione, che può essere determinata spegnendo e accendendo il prodotto, il l'utente è invitato a provare a correggere l'interferenza con uno o più dei seguenti misure.

- Riorientare o riposizionare l'antenna ricevente.
- Aumentare la distanza tra il prodotto e il ricevitore.
- Collegare il prodotto ad una presa su un circuito diverso da quello a cui il ricevitore è collegato.
- Consultare il rivenditore o un tecnico radio/TV esperto per assistenza.

## Diagramma schematico elettrico





**VEVOR**<sup>®</sup>

**TOUGH TOOLS, HALF PRICE**

Supporto tecnico e certificato di garanzia  
elettronica <https://www.vevor.com/support>



# **VEVOR<sup>®</sup>**

## **TOUGH TOOLS, HALF PRICE**

Soporte técnico y certificado de garantía electrónica [www.vevor.com/support](http://www.vevor.com/support)

**REFRIGERADOR DE COCHE**

**MANUAL DE USUARIO**

**MODELO: X40K X50K**

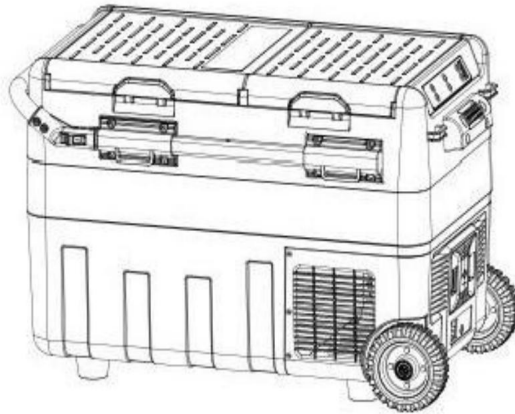
Seguimos comprometidos a proporcionarle herramientas a precios competitivos.

"Ahorre a mitad de precio", "A mitad de precio" o cualquier otra expresión similar utilizada por nosotros solo representa una estimación de los ahorros que podría beneficiarse al comprar ciertas herramientas con nosotros en comparación con las principales marcas principales y no necesariamente significa cubrir todas las categorías de herramientas ofrecidas por nosotros. Le recordamos que, cuando realice un pedido con nosotros, verifique cuidadosamente si realmente está ahorrando la mitad en comparación con las principales marcas.

# VEVOR®

Refrigerador del coche

MODELO:X40K X50K





<Imagen sólo como referencia>

¿NECESITAS AYUDA? ¡CONTÁCTENOS!

¿Tiene preguntas sobre el producto? ¿Necesita soporte técnico? Siéntete libre de contactarnos:

Soporte técnico y certificado de garantía  
electrónica [www.vevor.com/support](http://www.vevor.com/support)

Estas son las instrucciones originales; lea atentamente todas las instrucciones del manual antes de operar. VEVOR se reserva una interpretación clara de nuestro manual de usuario. La apariencia del producto estará sujeta al producto que recibió. Perdona que no le informaremos nuevamente si hay actualizaciones de tecnología o software en nuestro producto.

	<p>Advertencia: para reducir el riesgo de lesiones, el usuario debe leer manual de instrucciones con atención.</p>
	<p>Este producto está sujeto a las disposiciones de la directiva europea. 2012/19/CE. El símbolo que muestra un contenedor con ruedas cruzado. a través indica que el producto requiere rechazo por separado recogida en la Unión Europea. Esto se aplica al producto. y todos los accesorios marcados con este símbolo. Productos marcados como tal no se puede desechar con la basura doméstica normal, pero deben llevarse a un punto de recogida para el reciclaje de aparatos eléctricos y dispositivos electrónicos</p>

## Atenciones

Antes de utilizar el frigorífico, lea atentamente este manual y manténgalo correctamente

1. Antes de utilizar el frigorífico, límpielo por dentro y por fuera con un paño húmedo. paño.
2. No llene el frigorífico con líquidos corrosivos. No verter directamente líquidos en el frigorífico.
3. Cuando el refrigerador no se utilice durante un período prolongado, desconecte el fuente de alimentación y manténgala seca.
4. Limpie regularmente la cámara interior para evitar olores y bacterias. garantizar la seguridad alimentaria.
5. Apague el refrigerador y la batería antes de tirar del carrito (si tiene batería).

## Conecte la fuente de alimentación

1. Busque el cable de alimentación de CC en el kit. Conecte el enchufe de CC a la toma de corriente del frigorífico del coche.

2.Colocamos bien los frigoríficos del coche (respaldo, asientos...).

3.Disponga los cables de alimentación según el espacio interior de su automóvil. Insertar el cigarrillo enchufe del encendedor (un lado del cable de alimentación) en el orificio del encendedor del automóvil.



Adaptador



Conecte el encendedor del coche



DC 12/24V

Conectar el frigorífico del coche.

- 1.El frigorífico se puede conectar a más de una fuente de energía.
2. El refrigerador se puede conectar directamente a la fuente de alimentación DC12V/24V.
3. Si el refrigerador utiliza una fuente de alimentación AC100-240V, un adaptador de CA debería adoptarse.

### Operación del refrigerador del automóvil

Referencia de voltaje de protección de batería de coche:

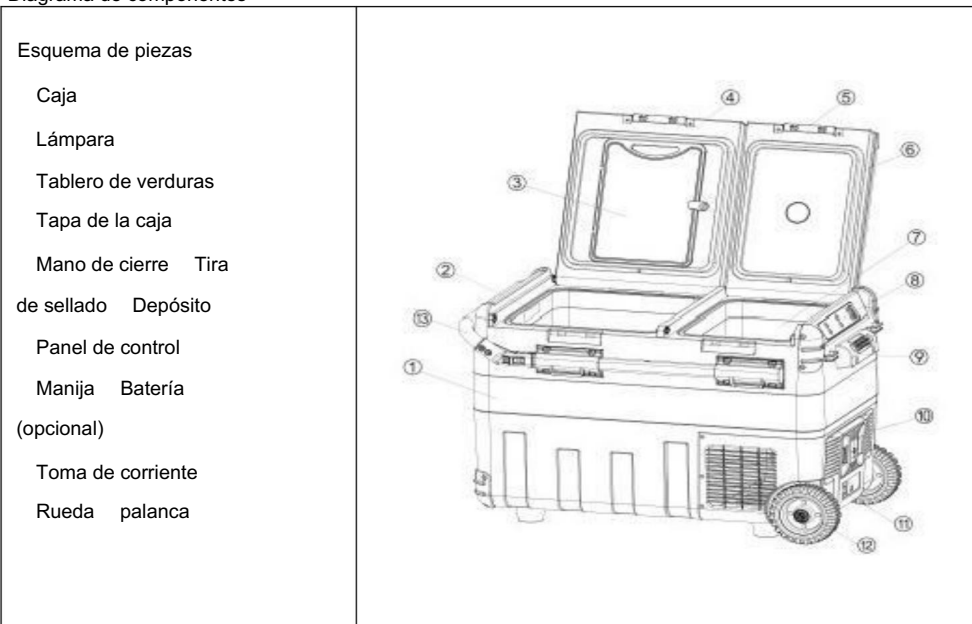
El módulo de control electrónico ECO incorporado puede monitorear automáticamente el automóvil voltaje de la batería. El refrigerador se apagará automáticamente cuando el La energía se consume excesivamente, protegiendo el consumo de la batería de siendo demasiado bajo para afectar la autoignición.

Batería Voltaje	Valor de protección de voltaje predeterminado de fábrica H		
	Nivel H (alto)	M (medio) nivel	Nivel L (bajo)
12 V CC.	DC11.3V APAGADO CC 12,5 V encendido.	DC10.1V APAGADO CC 11,4 V encendido.	DC9.6V APAGADO CC 10,9 V encendido.

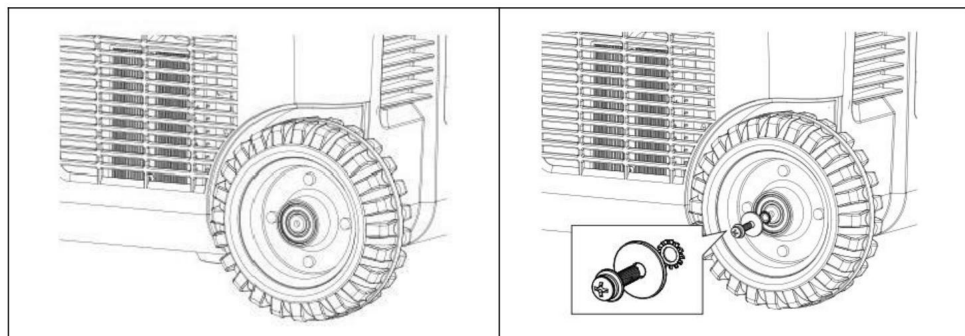
CC 24 V	CC 24,6 V apagado. CC 26,0 V encendido.	DC22.3V APAGADO CC 23,7 V encendido.	DC21.3V APAGADO CC 22,7 V encendido.
---------	--	---	---

Nota: Cuando la fuente de alimentación está conectada y el refrigerador está encendido, desconectar o arrancar se refiere a desconectar o arrancar el compresor.

### Diagrama de componentes



### Instala el rodillo

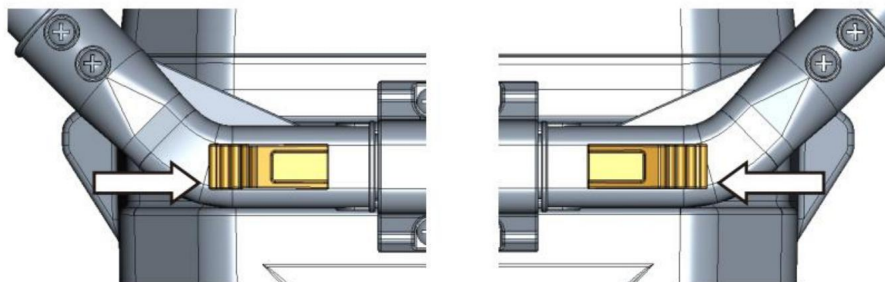


Inserte el rodillo en el eje del rodillo.

Utilice un destornillador para apretar  
orden de imagen

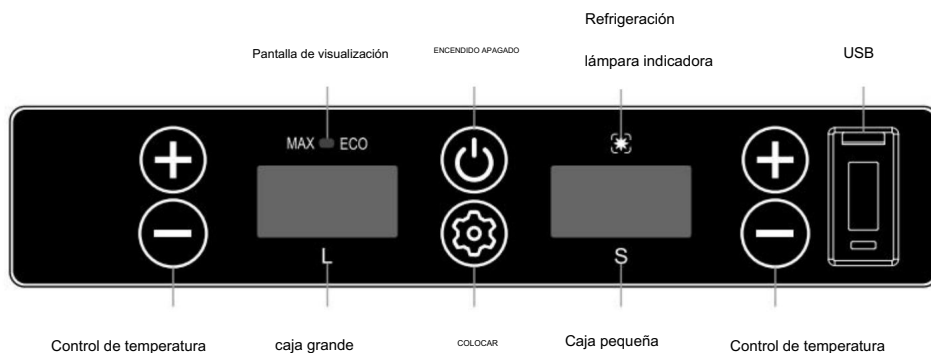
instrucciones para la varilla

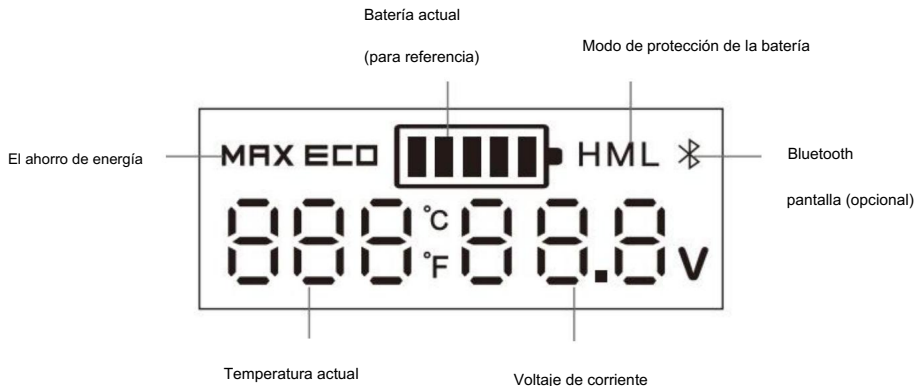
Si la varilla de tracción no se puede sacar cuando está en el estado bloqueado, opere el botón de desbloqueo para eliminar el estado de bloqueo, y la varilla de tracción se puede sacado, como se muestra en la figura:



Presione los botones izquierda/derecha en la flecha para desbloquear.


Método de operación opcional





·Fuente de alimentación: conecte a una fuente de alimentación DC 12V/24V o AC 100-240V (usando adaptador dedicado).


·Inicialización de la pantalla de visualización: Después de encender, la pantalla digital se enciende completamente durante un segundo y luego se muestra normalmente. El valor predeterminado es el último. En estado de espera, la temperatura de la pantalla brilla.


·Encendido/apagado: presione  para encender/apagar.

·Configuración de temperatura: en el estado de funcionamiento, presione ▲ para aumentar temperatura y presione ▼ para disminuir la temperatura; siga presionando ▲ o ▼ para ajustando la temperatura rápidamente. La configuración se guardará automáticamente después de dejar de funcionar durante tres segundos.

Rango de ajuste de temperatura: -20 ~ 20 (-4 ~ 68 )

·Configuración de la unidad de temperatura: en el estado de funcionamiento, presione prolongadamente ▲▼ en el Al mismo tiempo durante tres segundos para cambiar Celsius o Fahrenheit.

·Modo de enfriamiento: bajo el estado de funcionamiento, presione  para cambiar MAX (rápido refrigeración) y ECO (modo de ahorro de energía). (\*La configuración de fábrica es MÁX.)

·Modo de protección de la batería: en estado de funcionamiento, pulsación larga o tres 

segundos hasta que la pantalla parpadee, luego presione nuevamente  para seleccionar el modo de protección

H1N2 L3, después de que no se detecte ninguna acción clave, configure la marcha correspondiente

parpadea durante 5 segundos, sale de la configuración y guarda.

·Función de memoria de apagado: Hay una función de memoria de apagado para refrigeradores para autos. Cuando se pierde la energía, el estado de funcionamiento (estado de encendido/apagado, modo de trabajo, etc.) antes del apagado se puede recuperar automáticamente en el próxima puesta en marcha; no es necesario volver a configurarlo.ECO: Refrigeración con ahorro de energía MAX: Potente refrigeración.

## Análisis de fallas simples

Consejo: Si situaciones anormales no pueden resolverse mediante una simple falla análisis, póngase en contacto con el servicio de atención al cliente profesional para asistencia.

El refrigerador del coche no funciona

- 1.Compruebe si la alimentación está conectada correctamente. (verifique si el enchufe está flojo o los polos positivo y negativo están invertidos).
- 2.Compruebe si el interruptor de alimentación del panel de operación está encendido.
- 3.Compruebe si la ventilación de refrigeración es normal.
- 4.Compruebe si el fusible está fundido.

Mal rendimiento de refrigeración

1. Compruebe si la tapa está cerrada correctamente.
2. Compruebe si el sello de la puerta está dañado o deformado.
3. Compruebe si hay mala ventilación alrededor de los frigoríficos.
4. Compruebe si la temperatura está configurada correctamente.

Definición de códigos de error en la pantalla

Código de error	Tipo de error
E1	Bajo voltaje de entrada
E2	Fallo del ventilador
E3	Fallo en el arranque del compresor
E4	Baja velocidad de rotación del compresor



E5	Temperatura del módulo del controlador demasiado alta
E6	Circuito abierto o cortocircuito de NTC

#### Ruido anormal

1. El frigorífico del coche no está colocado correctamente.
2. Toque una pared u otro objeto.
3. Hay piezas sueltas o que se caen en el interior.

Condensación en la superficie del refrigerador

Cuando la humedad del aire ambiente supera el 75%, se producirá una ligera condensación. ocurren en la superficie de la caja, lo cual es normal.

## Fallos y Soluciones

### E1: Bajo voltaje de entrada

Fallo 1: Inserte el cable de alimentación del refrigerador en el encendedor antes de el auto arranca. Solución 1: Espere un momento para conectar el automóvil después de que arranque.

Fallo 2: El voltaje de entrada del adaptador es demasiado bajo.

Solución 2: Ajuste el nivel de protección de la batería a voltaje medio o baja tensión. Si no funciona, reemplace un adaptador nuevo.

### E2: Fallo del ventilador

Reemplace un ventilador nuevo cuando identifique que hay un mal funcionamiento del ventilador.

### E3: Falla de voltaje de entrada debido a un arranque frecuente del compresor

Cuando se utiliza el refrigerador en el automóvil y aparece E3, ciérrelo. durante 5 minutos y reinícielo.

Si no funciona, se puede identificar que es culpa de E1; por favor solucionalo según la solución de E1.

Cuando el refrigerador se está conectando con el adaptador y aparece E3

Ajuste el nivel de protección de la batería al nivel medio o bajo. Si no funciona, reemplace un adaptador nuevo.

E4: Baja velocidad de rotación del compresor

Ajuste el voltaje de entrada y vuelva a encenderlo.

E5: Sobrecalentamiento del chip controlador

Apague el aparato durante 5 minutos y compruebe si la pésima ventilación alrededor del El compresor causa el sobrecalentamiento.

### Lista de embalaje

No.	Artículo		Observación
1	Refrigerador	Cantidad 1 juego	
2	alambre de cigarrillo	1 juego	
3	Adaptador de corriente	1 juego	
4	Manual	PC 1	
5	Rodillo	2 piezas	
6	Destornillador	PC 1	

### Sugerencias de uso

1. Si está equipado con una batería de respaldo, puede mantener cualquier temperatura que desee. establecido bajo cualquier circunstancia sin preocupaciones.
2. Al colocar helado, ajuste la temperatura al mínimo; él debe estar encendido durante mucho tiempo.
3. Prevenir los problemas de salud derivados del consumo de agua embotellada causados por altos niveles de temperaturas.
4. Los alimentos congelados, los mariscos raros y los refrigeradores montados en vehículos permiten congelar Los alimentos frescos acompañarán el viaje.

5. Los productos sanitarios, la insulina y los medicamentos importados deben refrigerarse, y el control preciso de la temperatura de los refrigeradores a bordo ayudará salud en el camino.
6. Las hojas de té se mantienen frescas de forma eficaz en el frigorífico del coche y usted Puede beber té fresco y delicioso en cualquier momento durante el recorrido sin conductor.
7. La mejor temperatura de almacenamiento para el vino tinto es 10 - 18 (50 - 64,4 ). El control preciso de la temperatura del refrigerador del automóvil puede efectivamente Asegurar la temperatura de almacenamiento del vino tinto.
8. El tiempo de almacenamiento de fruta de alta calidad en el coche en pleno verano. Las temperaturas serán de al menos 2 horas. El tiempo de almacenamiento es más corto incluso si el aire acondicionado está encendido. Usar un refrigerador para automóvil puede efectivamente conservar fruta de alta calidad.
9. La capa de gafas de sol de alta calidad se caerá bajo la alta temperatura en verano. El frigorífico del coche es un lugar ideal para colocarlo.
10. Los cosméticos de alta calidad se deterioran rápidamente bajo altas temperaturas en el coche. Llevar cosméticos con el coche; El frigorífico del coche será tu mejor elección.

## Precauciones de seguridad

- (1) Asegúrese de que el voltaje de alimentación conectado al refrigerador de a bordo sea corregir en cualquier momento (Los parámetros están etiquetados con los parámetros de voltaje aprobados del frigorífico de a bordo).
- (2) No vierta líquido directamente en el refrigerador del automóvil.
- (3) Está prohibido modificar el refrigerador sin permiso para evitar peligro.
- (4) Este aparato no está diseñado para que lo utilicen personas (incluidos niños) con capacidades físicas, sensoriales o mentales reducidas o falta de experiencia y conocimientos a menos que hayan recibido supervisión o instrucción sobre el uso del aparato por una persona responsable de su seguridad.
- (5) Se debe supervisar a los niños para evitar jugar con el aparato.

(6) Este aparato puede ser utilizado por niños a partir de 8 años. y personas con capacidades físicas, sensoriales o mentales reducidas o con carencia de experiencia y conocimiento si han recibido supervisión o instrucciones relativas al uso del aparato de forma segura y comprender los peligros involucrados. Los niños no deben jugar con el aparato. Limpieza y el mantenimiento del usuario no debe ser realizado por niños sin supervisión.

(7) Para evitar un peligro debido a la inestabilidad del aparato, debe fijarse bajo las instrucciones.

(8) No almacene sustancias explosivas como latas de aerosol con un propulsor inflamable en este aparato.

ADVERTENCIA: Este aparato contiene agente espumante inflamable. ciclopentano:

- 1) Evite el contacto con el fuego cuando lo transporte y utilice.
- 2) Solicite servicio a un profesional cuando la máquina se averíe.
- 3) Envíelo a su estación de eliminación local designada cuando lo descarte. etc.



ADVERTENCIA: Durante el uso, servicio y eliminación del aparato, preste atención a un símbolo similar al del lado izquierdo, que se encuentra en la parte trasera del aparato (panel trasero o compresor) y con color amarillo o color naranja. Es un símbolo de advertencia de riesgo de incendio. hay inflamables materiales en tuberías de refrigerante y compresores. Por favor mantente lejos del fuego fuente durante el uso, servicio y eliminación.

## Información de la FCC

PRECAUCIÓN: Cambios o modificaciones no aprobados expresamente por la parte responsable del cumplimiento podría anular la autoridad del usuario para operar el equipo!

Este dispositivo cumple con la Parte 15 de las normas de la FCC. La operación está sujeta a las dos condiciones siguientes:

- 1) Este producto puede causar interferencias perjudiciales.

2) Este producto debe aceptar cualquier interferencia recibida, incluida interferencias que puedan causar un funcionamiento no deseado.

ADVERTENCIA: Los cambios o modificaciones a este producto no están expresamente aprobado por el responsable del cumplimiento podría anular el derecho del usuario autoridad para operar el producto.

Nota: Este producto ha sido probado y cumple con los límites de un dispositivo digital de Clase B de conformidad con la Parte 15 de las Reglas de la FCC. Estos límites están diseñados para proporcionar una protección razonable contra interferencias dañinas en una instalación residencial.

Este producto genera, utiliza y puede irradiar energía de radiofrecuencia y

Si no se instala y utiliza de acuerdo con las instrucciones, puede causar interferencias perjudiciales a las comunicaciones por radio. Sin embargo, no hay

Garantizar que no se produzcan interferencias en una instalación concreta. Si esto

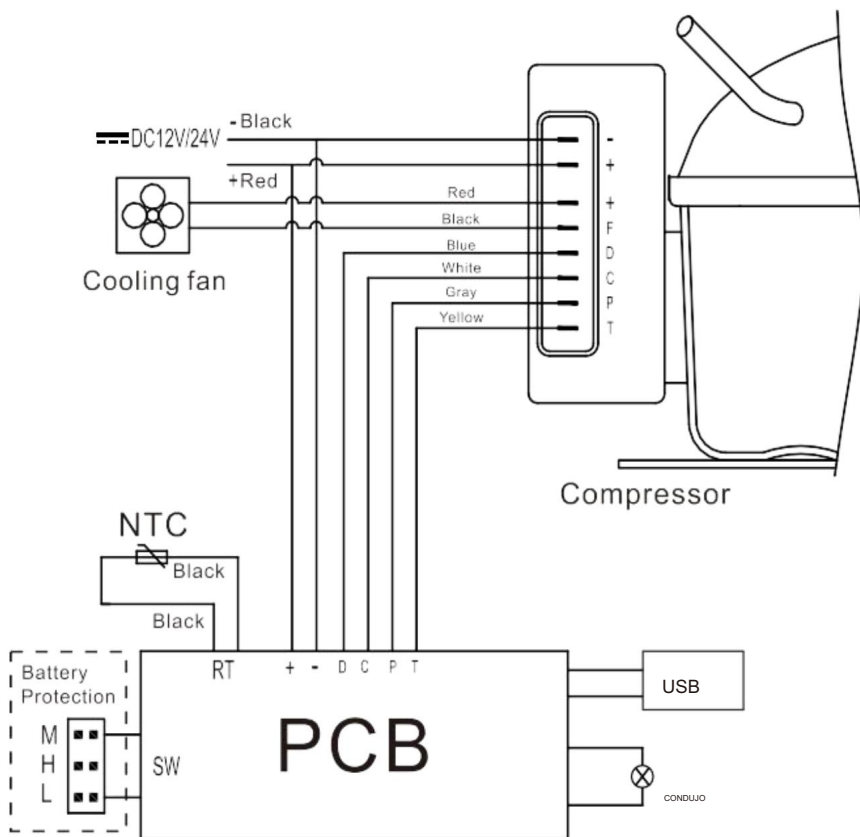
El producto causa interferencias dañinas a la radio o la televisión.

recepción, que se puede determinar apagando y encendiendo el producto, el

Se recomienda al usuario que intente corregir la interferencia mediante uno o más de los siguientes medidas.

- Reorientar o reubicar la antena receptora.
- Aumentar la distancia entre el producto y el receptor.
- Conecte el producto a una toma de corriente de un circuito diferente al que el receptor está conectado.
- Consulte al distribuidor o a un técnico experimentado en radio/TV para obtener ayuda.

## Diagrama esquemático eléctrico





**VEVOR**<sup>®</sup>

**TOUGH TOOLS, HALF PRICE**

Soporte técnico y certificado de garantía  
electrónica <https://www.vevor.com/support>



# VEVOR<sup>®</sup>

## TOUGH TOOLS, HALF PRICE

Wsparcie techniczne i certyfikat e-gwarancji [www.vevor.com/support](http://www.vevor.com/support)

### LODÓWKA SAMOCHODOWA

### INSTRUKCJA OBSŁUGI

MODEL: X40K X50K

Nadal dokładamy wszelkich starań, aby zapewnić Państwu narzędzia w konkurencyjnej cenie.

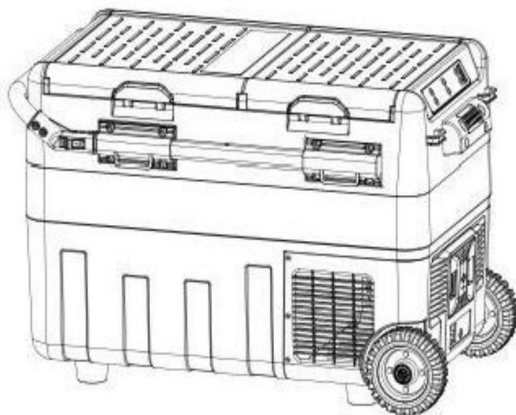
„Zaoszczędź o połowę”, „o połowę ceny” lub inne podobne wyrażenia używane przez nas przedstawiają jedynie szacunkową oszczędność, jaką możesz uzyskać kupując u nas określone narzędzia w porównaniu z głównymi najlepszymi markami i niekoniecznie oznaczają uwzględnienie wszystkich kategorii oferowanych narzędzi przez nas.

Przypominamy, aby podczas składania zamówienia u nas dokładnie sprawdzić, czy rzeczywiście oszczędzisz połowę w porównaniu z czołowymi markami.

# VEVOR®

Lodówka samochodowa

MODEL: X40K X50K






<Zdjęcie tylko w celach informacyjnych>

POTRZEBUJĘ POMOCY? SKONTAKTUJ SIĘ Z NAMI!

Masz pytania dotyczące produktu? Potrzebujesz wsparcia technicznego? Śmiało możesz się z nami skontaktować:

Wsparcie techniczne i certyfikat e-gwarancji  
[www.vevor.com/support](http://www.vevor.com/support)

To jest oryginalna instrukcja. Przed przystąpieniem do obsługi prosimy o dokładne zapoznanie się ze wszystkimi instrukcjami. VEVOR zastrzega sobie jasną interpretację naszej instrukcji obsługi. Wygląd produktu zależy od produktu, który otrzymałeś. Proszę wybaczyć nam, że nie będziemy ponownie informować Państwa, jeśli pojawią się jakieś aktualizacje technologii lub oprogramowania naszego produktu.

	<p>Ostrzeżenie — aby zmniejszyć ryzyko obrażeń, użytkownik musi przeczytać instrukcję obsługi.</p>
 	<p>Ten produkt podlega przepisom Dyrektywy Europejskiej 2012/19/WE. Przekreślony symbol przedstawiający kosz na śmieci na kółkach przez wskazuje, że produkt wymaga osobnego odpadu zbiórka w Unii Europejskiej. Dotyczy to produktu oraz wszystkie akcesoria oznaczone tym symbolem. Produkty oznaczone jako takie nie mogą być wyrzucane wraz ze zwykłymi odpadami domowymi, ale należy oddać do punktu zbiórki odpadów elektrycznych i elektrycznych urządzenia elektryczne</p>

## Uprzejmości

Przed użyciem lodówki prosimy o dokładne zapoznanie się z niniejszą instrukcją i trzymaj go właściwie

1. Przed użyciem lodówki wyczyść ją wewnątrz i na zewnątrz wilgotną wodą płótno.
2. Nie napełniaj lodówki żrącymi płynami. Nie wlewać bezpośrednio płyny do lodówki.
3. Jeżeli lodówka nie bę dzie używana przez dłuższy czas, należy odłączyć ją od prądu zasilacza i utrzymuj go w suchości.
4. Regularnie czyść komorę wewnę trzną, aby zapobiec powstawaniu nieprzyjemnego zapachu i bakterii zapewnić bezpieczeństwo żywności.
5. Wyłącz lodówkę i akumulator przed ciągnię ciem wózka (jeśli jest).  
bateria).

## Podłącz zasilacz

1. Znajdź w zestawie przewód zasilający prądu stałego. Podłącz wtyczkę prądu stałego do gniazdka elektrycznego lodówka samochodowa.

2. Dobrze umieść lodówki w samochodzie (tył, siedzenia...).
3. Rozłóż przewody zasilające odpowiednio do przestrzeni wewnątrz trzypiętowego samochodu. Włóż papierosa wtyczkę zapalniczkową (z jednej strony przewodu zasilającego) do otworu zapalniczkowego samochodu.



Adapter



Podłącz zapalniczkę samochodową



DC 12/24V

Podłącz lodówkę samochodową

1. Lodówkę można podłączyć do więcej niż jednego źródła energii.
2. Lodówkę można podłączyć bezpośrednio do źródła zasilania DC12V/24V.
3. Jeżeli lodówka korzysta z zasilacza AC 100-240V, należy zastosować zasilacz sieciowy należy przyjąć.

## Obsługa lodówki samochodowej

Odniesienie do napięcia zabezpieczającego akumulator samochodowy:

Wbudowany elektroniczny moduł sterujący ECO może automatycznie monitorować poziom napięcia baterii. Lodówka zostanie automatycznie odłączona, gdy energia jest nadmiernie zużywana, co chroni zużycie baterii jest zbyt niska, aby wpływać na samozapłon.

Bateria Napięcie	Fabryczna domyślna wartość zabezpieczenia napięcia H		
	Poziom H (wysoki).	M (średni) poziom	Poziom L (niski).
DC12V	WYŁ. DC11,3 V WŁ. DC12,5 V	WYŁ. DC10,1 V WŁ. DC11,4 V	WYŁ. DC 9,6 V WŁ. DC10,9 V

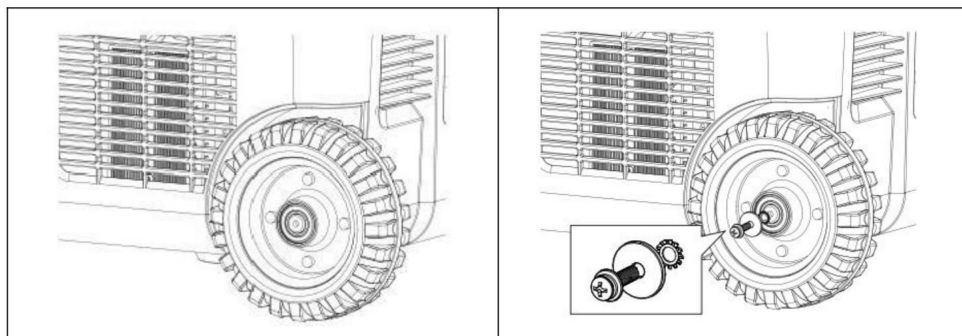
DC24V	WYŁĄCZONE 24,6 V DC Wł.26,0 V DC	WYŁ. 22,3 V DC Wł.23,7 V DC	WYŁ. 21,3 V DC Wł.22,7 V DC
-------	-------------------------------------	--------------------------------	--------------------------------

Uwaga: Kiedy zasilanie jest podłączone, a lodówka jest włączona, odłączenie lub uruchomienie oznacza odłączenie lub uruchomienie sprężarki.

### Schemat komponentów

<p>Schemat części</p> <p>Pudełko</p> <p>Lampa Deska do warzyw</p> <p>Pokrywa pudełka</p> <p>Dłoń ściskająca</p> <p>Taśma uszczelniająca</p> <p>Pomieszczenie do przechowywania Panel sterowania Uchwyt</p> <p>Akumulator (opcjonalnie) Gniazdo zasilania Koło dźwignia</p>	
--	--

### Instaluje rolkę

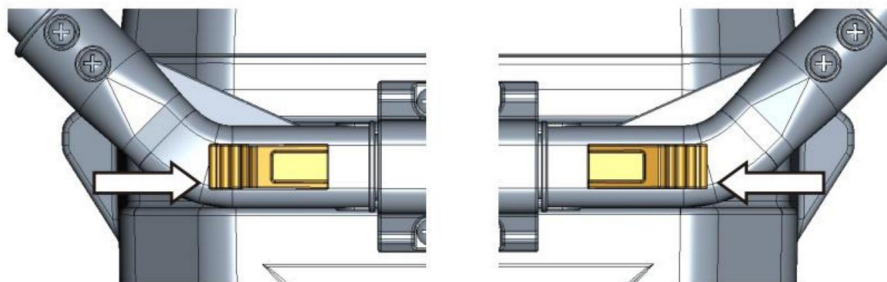


Włóż rolkę do wałka rolki

Do dokręcenia użyj śrubokręta  
kolejność zdjęć

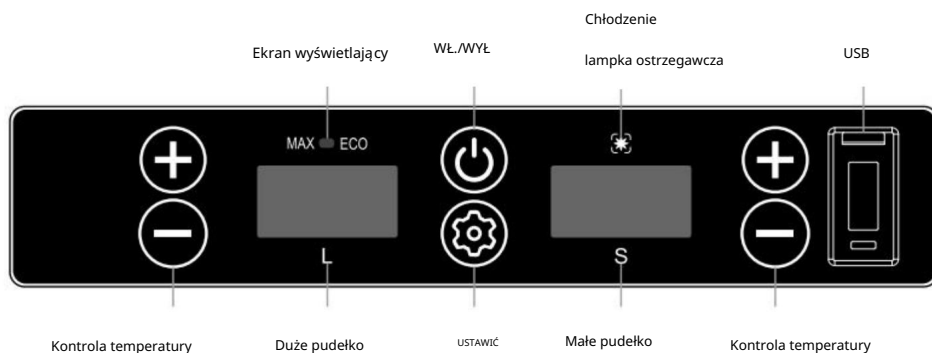
Instrukcje dla przycisku

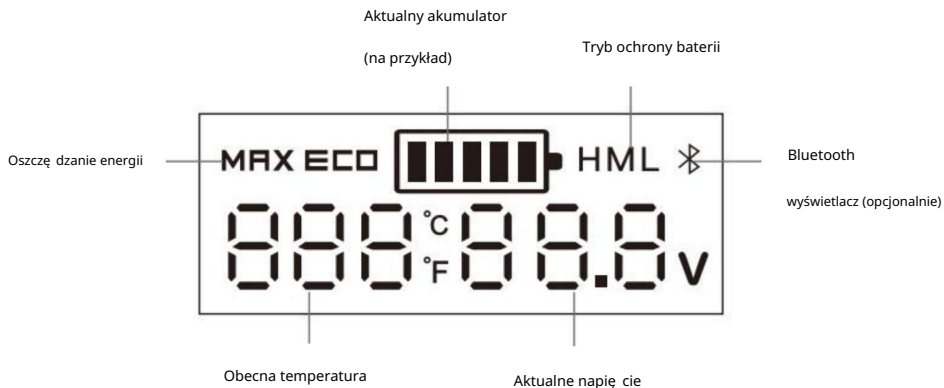
Jeżeli cię gła nie można wyciągnąć, gdy jest zablokowane, należy je uruchomić przycisk odblokowania, aby usunąć stan blokowania, a cię gno może być wyciągnięty, jak pokazano na rysunku:



Wciśnij przyciski lewo/prawo na strzałce, aby odblokować.


Opcjonalna metoda działania


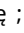
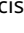





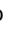
·Zasilanie: podłącz do zasilania DC 12V/24V lub AC 100-240V (za pomocą dedykowany adapter).


·Inicjalizacja ekranu wyświetlacza: Po włączeniu zasilania wyświetlacz cyfrowy działa całkowicie włączony przez jedną sekundę, a następnie wyświetlony normalnie. Wartość domyślna jest ostatnia funkcja pamięci. W stanie gotowości temperatura wyświetlacza jest jasna.



·Włączanie/wyłączenie zasilania: naciśnij  aby włączyć/wyłączyć.

·Ustawienie temperatury: w stanie pracy naciśnij , aby zwiększyć temperaturę i naciśnij , aby zmniejszyć temperaturę; naciskaj  lub , aby szybką regulację temperatury. Ustawienie zostanie zapisane automatycznie po zatrzymaniu pracy na trzy sekundy.

Zakres ustawień temperatury: -20 ~ 20 °C (-4 ~ 68 °F)

·Ustawienie jednostki temperatury: w stanie pracy naciśnij długo  w tym samym czasie przez trzy sekundy, aby przełączyć stopnie Celsjusza lub Fahrenheita.

·Tryb chłodzenia: w stanie pracy naciśnij , aby przełączyć MAX (szybko chłodzenie) i ECO (tryb oszczędzania energii).(\*Ustawienie fabryczne to MAX.)

·Tryb ochrony baterii: w stanie pracy naciśnij długo lub trzy  sekundy, aż ekran zacznie migać, a następnie naciśnij  ponownie, aby wybrać tryb ochrony

H1, N2, L3, gdy nie zostanie wykryte żadne działanie klawisza, ustaw odpowiedni bieg

migać przez 5 sekund, wyjdź z ustawień i zapisz.

·Funkcja pamięć ci wyłączenia: Dostępna jest funkcja pamięć ci wyłączenia

lodówki samochodowe. W przypadku utraty zasilania stan pracy (stan włączenia/wyłączenia, tryb pracy itp.) sprzed wyłączenia może zostać automatycznie przywrócony w

kolejne uruchomienie; nie ma potrzeby ustawiania go ponownie. ECO: Energooszczędne chłodzenie MAX:

Wydajne chłodzenie.

## Prosta analiza usterek

Porada: Jeśli nienormalnych sytuacji nie da się rozwiązać poprzez zwykłą usterekę analizy, prosimy o kontakt z profesjonalną obsługą klienta w sprawie wsparcie.

Lodówka samochodowa nie działa

1. Sprawdź, czy zasilanie jest prawidłowo podłączone. (sprawdź, czy wtyczka jest poluzowana lub bieguny dodatnie i ujemne są odwrócone).

2. Sprawdź, czy włącznik zasilania na panelu operacyjnym jest włączony.

3. Sprawdź, czy wentylacja chłodząca działa normalnie.

4. Sprawdź, czy bezpiecznik nie jest przepalony.

Słaba wydajność chłodzenia

1. Sprawdź, czy pokrywa jest prawidłowo zamknięta.

2. Sprawdź, czy uszczelka drzwi nie jest uszkodzona lub zdeformowana.

3. Sprawdź, czy wokół lodówek nie ma słabej wentylacji.

4. Sprawdź, czy temperatura jest ustawiona prawidłowo.

Definicja kodów błędów na wyświetlaczu

Kod błędu	Typ błędu
E1	Niskie napięcie wejściowe
E2	Usterka wentylatora
E3	Uruchomienie sprężarki nie powiodło się
E4	Niska prędkość obrotowa sprężarki



E5	Zbyt wysoka temperatura modułu sterownika
E6	Przerwa lub zwarcie NTC

### Nienormalny hałas

1. Lodówka samochodowa nie jest umieszczona gładko.
2. Dotknij ściany lub innego obiektu.
3. Wewnątrz znajdują się luźne lub odpadające części.

### Kondensacja na powierzchni lodówki

Gdy wilgotność powietrza w otoczeniu przekracza 75%, nastąpi niewielka kondensacja występująca na powierzchni pudełka, co jest zjawiskiem normalnym.

## Awarie i rozwiązania

### E1: Niskie napięcie wejściowe

Błąd 1: Włóż wcześniej przewód zasilający lodówki do gniazda zapalniczki samochodu rusza. Rozwiązanie 1: Poczekaj chwilę, aby podłączyć samochód po uruchomieniu.

Błąd 2: Napięcie wejściowe adaptera jest zbyt niskie.

Rozwiązanie 2: Ustaw poziom ochrony akumulatora na średnie napięcie lub niskie napięcie. Jeśli to nie zadziała, wymień nowy adapter.

### E2: Awaria wentylatora

Jeśli stwierdzisz awarię wentylatora, wymień go na nowy.

### E3: Usterka napięcia wejściowego spowodowana częstym uruchamianiem sprężarki

Gdy lodówka jest używana w samochodzie i pojawia się komunikat E3, zamknij ją wyłącz na 5 minut i uruchom ponownie.

Jeśli to nie zadziała, można to zidentyfikować jako błąd E1; proszę to rozwiązać według rozwiązania E1.

Gdy lodówka łączy się z adapterem i pojawia się E3

Ustaw poziom ochrony baterii na średni lub niski. Jeśli to nie zadziała, wymień nowy adapter.

E4: Niska prędkość obrotowa sprężarki  
Dostosuj napięcie wejściowe i włącz je ponownie.

E5: Przegrzanie układu kontrolera  
Wyłącz urządzenie na 5 minut i sprawdź, czy wentylacja wokół jest słaba  
sprężarka powoduje przegrzanie.

Lista rzeczy do spakowania

NIE.	Przedmiot	Ilość	Uwaga
1	Lodówka	1 zestaw	
2	Drut papierosowy	1 zestaw	
3	Zasilacz	1 zestaw	
4	podręcznik	1 szt	
5	Wątek	2 szt	
6	Śrubokręt	1 szt	

Skorzystaj z sugestii

1. Jeśli jest wyposażony w akumulator zapasowy, możesz utrzymać dowolną temperaturę ustawianą w każdych okolicznościach bez obaw.
2. Podczas umieszczania lodów należy ustawić najniższą temperaturę ; To musi być włączony przez dłuższy czas.
3. Zapobiegaj problemom zdrowotnym związanym z piciem wody butelkowanej spowodowanym przez wysoką temperaturę.
4. Zamrożona żywność, rzadkie owoce morza i lodówki montowane w pojazdach  
świeża żywność towarzyszy podróży.

5. Produkty lecznicze, insulina i importowane leki muszą być przechowywane w lodówce, a precyzyjna kontrola temperatury w lodówkach na pokładzie pomoże zdrowie po drodze.
6. Liście herbaty skutecznie utrzymują świeżość w lodówce samochodowej, a Ty podczas wycieczki z własnym kierowcą możesz w dowolnym momencie napić się świeżej i pysznej herbaty.
7. Najlepsza temperatura przechowywania czerwonego wina to 10 °C - 18 °C (50 - 64,4 °F). Precyzyjna kontrola temperatury lodówki samochodowej może skutecznie zapewnić temperaturę przechowywania czerwonego wina.
8. Czas przechowywania owoców wysokiej jakości w samochodzie w pełni lata temperatura bę dzie wynosić co najmniej 2 godziny. Nawet jeśli czas przechowywania jest krótszy klimatyzator jest włączony. Korzystanie z lodówki samochodowej może skutecznie zachować wysokiej jakości owoce.
9. Powłoka wysokiej jakości okularów przeciwsłonecznych odpadnie pod wysokim poziomem temperatura latem. Lodówka samochodowa jest idealnym miejscem do jej umieszczenia.
10. Wysokiej jakości kosmetyki szybko niszczą się pod wpływem wysokich temperatur samochód. Noś kosmetyki w samochodzie; lodówka samochodowa bę dzie lepsza wybór.

## Środki ostrożności

(1) Upewnij się , że napię cie zasilania podłączone do lodówki pokładowej jest prawidłowe poprawne w dowolnym momencie

(Parametry są oznaczone zatwierdzonymi parametrami napię cia lodówka pokładowa).

(2) Nie wlewaj płynu bezpośrednio do lodówki samochodowej.

(3) Zabronione jest modyfikowanie lodówki bez pozwolenia

niebezpieczeństwo.

(4) To urządzenie nie jest przeznaczone do użytku przez osoby (w tym dzieci) z ograniczonymi zdolnościami fizycznymi, sensorycznymi lub umysłowymi albo brakiem doświadczenia i wiedzy, chyba że zapewniono im nadzór lub instrukcje dotyczące korzystania z urządzenia przez osobę odpowiedzialną za jego użytkowanie

bezpieczeństwo.

(5) Należy nadzorować dzieci, aby nie bawiły się urządzeniem.

(6) To urządzenie może być używane przez dzieci w wieku od 8 lat i starsze oraz osoby o ograniczonych zdolnościach fizycznych, sensorycznych lub umysłowych lub ich braku doświadczenia i wiedzy, jeśli zapewniono im nadzór lub instrukcje dotyczące bezpiecznego użytkownika urządzenia i zrozumiałe związane z tym zagrożenia. Dzieciom nie wolno bawić się urządzeniem. Czyszczenie i konserwacja użytkownika nie mogą być wykonywane przez dzieci bez nadzoru.

(7) Aby uniknąć zagrożenia wynikającego z niestabilności urządzenia, należy je zamocować zgodnie z instrukcjami.

(8) Nie przechowuj substancji wybuchowych, takich jak puszki aerozolowe, z a łatwopalnego paliwa w tym urządzeniu.

**OSTRZEŻENIE:** To urządzenie zawiera łatwopalny środek pieniający cyklopentan:

- 1) Podczas transportu i użytkownika należy unikać kontaktu z ogniem.
- 2) W przypadku awarii maszyny poproś specjalistę o serwis.
- 3) Po wyrzuceniu należy wysłać go do lokalnego wyznaczonego punktu utylizacji

To.



**OSTRZEŻENIE:** Podczas użytkownika, serwisowania i utylizacji urządzenia należy zwrócić uwagę na symbol podobny do lewego boku, który znajduje się na tyłu urządzenia (panel tylny lub sprężarka) i żółtym lub kolor pomarańczowy. Jest to symbol ostrzegający o ryzyku pożaru. Są łatwopalne materiałów w rurach czynnika chłodniczego i sprężarkach. Proszę, bądź z daleka od ognia źródła podczas użytkownika, serwisu i utylizacji.

## Informacje FCC

**UWAGA:** Zmiany lub modyfikacje, które nie zostały wyraźnie zatwierdzone przez stronę odpowiedzialny za zgodność, może unieważnić uprawnienia użytkownika do obsługi sprzętu!

To urządzenie jest zgodne z częścią 15 przepisów FCC. Eksploatacja podlega następujące dwa warunki:

- 1) Ten produkt może powodować szkodliwe zakłócenia.

2) Ten produkt musi akceptować wszelkie odbierane zakłócenia, w tym zakłóceń, które mogą powodować niepożądane działanie.

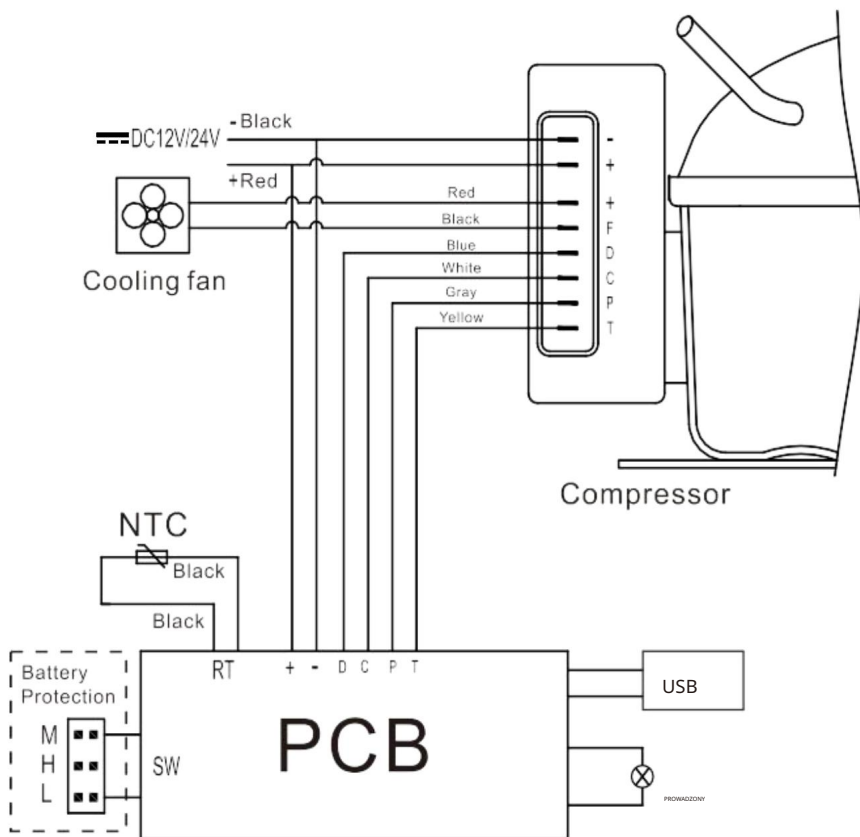
**OSTRZEŻENIE:** Zmiany lub modyfikacje tego produktu nie są dokonywane w sposób wyraźny zatwierdzone przez stronę odpowiedzialną za zgodność, może unieważnić uprawnienia użytkownika uprawnienia do obsługi produktu.

Uwaga: ten produkt został przetestowany i stwierdzono, że jest zgodny z ograniczeniami dot urządzenia cyfrowe klasy B zgodnie z częścią 15 przepisów FCC, te ograniczenia zostały zaprojektowane w celu zapewnienia rozsądnej ochrony przed szkodliwymi zakłóceniami w instalacji mieszkaniowej.

Ten produkt generuje, wykorzystuje i może emitować energię o częstotliwości radiowej oraz jeśli nie zostanie zainstalowany i używany zgodnie z instrukcją, może spowodować szkodliwe zakłócenia w komunikacji radiowej. Jednak nie ma gwarantują, że w konkretnej instalacji nie wystąpią zakłócenia. Jeśli to produkt rzeczywiście powoduje szkodliwe zakłócenia w odbiorze radia lub telewizji odbioru, co można sprawdzić poprzez wyłączenie i włączenie produktu zachęca się użytkownika do podjęcia próby skorygowania zakłóceń za pomocą jednego lub więcej następujących środków.

- Zmień orientację lub położenie anteny odbiorczej.
- Zwiększ odległość pomiędzy produktem a odbiornikiem.
- Podłącz produkt do gniazdka w innym obwodzie niż ten, do którego jest podłączony odbiornik jest podłączony.
- Skonsultuj się ze sprzedawcą lub doświadczonym technikiem radiowo-telewizyjnym w celu uzyskania pomocy.

## Schemat elektryczny





**VEVOR**®

**TOUGH TOOLS, HALF PRICE**

Wsparcie techniczne i certyfikat e-gwarancji

<https://www.vevor.com/support>



# **VEVOR<sup>®</sup>**

## **TOUGH TOOLS, HALF PRICE**

Technische ondersteuning en e-garantiecertificaat [www.vevor.com/support](http://www.vevor.com/support)

# **AUTO KOELKAST**

## **HANDLEIDING**

**MODEL: X40K X50K**

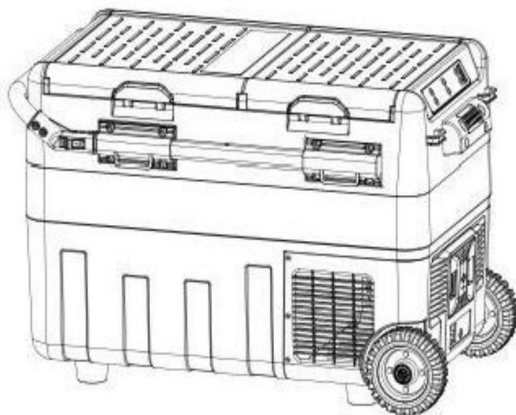
We blijven ons inzetten om u gereedschap tegen een concurrerende prijs te bieden.

'Bespaar de helft', 'Halve prijs' of andere soortgelijke uitdrukkingen die door ons worden gebruikt vertegenwoordigen slechts een schatting van de besparingen die u zou kunnen profiteren als u bepaalde gereedschappen bij ons koopt in vergelijking met de grote topmerken en betekenen niet noodzakelijkerwijs dat ze alle aangeboden categorieën gereedschappen dekken. door ons. U wordt er vriendelijk aan herinnerd om bij het plaatsen van een bestelling bij ons zorgvuldig te verifiëren of u daadwerkelijk de helft bespaart in vergelijking met de grote topmerken.

# VEVOR<sup>®</sup>

*Auto koelkast*

**MODEL: X40K X50K**



<Afbeelding alleen ter referentie>

**HULP NODIG? NEEM CONTACT MET ONS OP!**

Heeft u productvragen? Technische ondersteuning nodig? Neem dan gerust contact met ons op:

**Technische ondersteuning en e-garantiecertificaat**  
**[www.vevor.com/support](http://www.vevor.com/support)**

Dit is de originele instructie. Lees alle instructies in de handleiding zorgvuldig door voordat u ermee aan de slag gaat. VEVOR behoudt zich een duidelijke interpretatie van onze gebruikershandleiding voor. Het uiterlijk van het product is afhankelijk van het product dat u heeft ontvangen. Vergeef ons alstublieft dat we u niet opnieuw zullen informeren als er technologie- of software-updates zijn voor ons product.

	<p>Waarschuwing-Om het risico op letsel te verminderen, moet de gebruiker dit lezen gebruiksaanwijzing zorgvuldig.</p>
 	<p>Dit product valt onder de bepalingen van de Europese richtlijn 2012/19/EG. Het symbool met een gekruiste klike through geeft aan dat het product gescheiden afval vereist collectie in de Europese Unie. Dit geldt voor het product en alle accessoires gemarkeerd met dit symbool. Producten gemarkeerd mag als zodanig niet bij het normale huisvuil worden weggegooid, maar moet naar een inzamelpunt worden gebracht voor recycling van elektrische en elektronische apparaten</p>

## Attenties

### **Lees deze handleiding zorgvuldig door voordat u de koelkast gebruikt houd het goed**

1. Maak de koelkast van binnen en buiten schoon met een vochtige doek voordat u hem gebruikt lap.
2. Vul de koelkast niet met bijtende vloeistoffen. Niet direct gieten vloeistoffen in de koelkast.
3. Als de koelkast langere tijd niet wordt gebruikt, koppel dan de stekker los voeding en houd deze droog.
4. Maak de binnenkamer regelmatig schoon om geurtjes en bacteriën te voorkomen voedselveiligheid garanderen.
5. Schakel de koelkast en de accu uit voordat u aan de trolley trekt (indien aanwezig).  
accu).

## Sluit de voeding aan

1. Zoek het gelijkstroomsnoer in de set. Sluit de DC-stekker aan op het stopcontact van de autokoelkast.

1. Plaats de koelkasten in de auto (back-up, stoelen...).
3. Leg de netsnoeren uit volgens de binnenruimte van uw auto. Steek de sigaret in aanstekerstekker (één kant van het netsnoer) in het sigarettenaanstekergat van de auto.



Adapter



Sluit de sigarettenaansteker van de auto aan



DC 12/24V

Sluit de autokoelkast aan

1. De koelkast kan op meer dan één energiebron worden aangesloten.
2. De koelkast kan rechtstreeks op de DC12V/24V-voeding worden aangesloten.
3. Als de koelkast een AC100-240V-voeding gebruikt, een AC-adapter moeten worden aangenomen.

## Bediening van de autokoelkast

### Referentie spanning bescherming auto-accu:

Ingebouwde ECO elektronische besturingsmodule kan de auto automatisch bewaken batterij voltage. De koelkast wordt automatisch uitgeschakeld wanneer de Er wordt overmatig veel stroom verbruikt, waardoor het batterijverbruik wordt beschermd te laag zijn om de zelfontbranding te beïnvloeden.

Accu Spanning	Fabrieksstandaard spanningsbeveiligingswaarde H		
	H (hoog) niveau	M (gemiddeld) niveau	L (laag) niveau
DC12V	DC11,3V UIT DC12,5V AAN	DC10,1V UIT DC11,4V AAN	DC9,6V UIT DC10,9V AAN

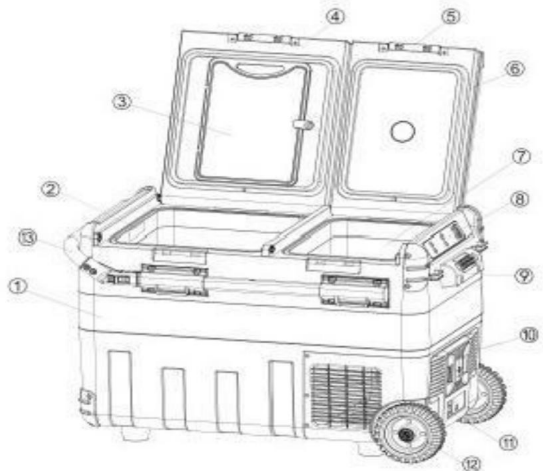
DC24V	DC24,6V UIT DC26,0V AAN	DC22,3V UIT DC23,7V AAN	DC21,3V UIT DC22,7V AAN
-------	----------------------------	----------------------------	----------------------------

**Opmerking:** Wanneer de voeding is aangesloten en de koelkast is ingeschakeld, verwijst loskoppelen of starten naar het loskoppelen of starten van de compressor.

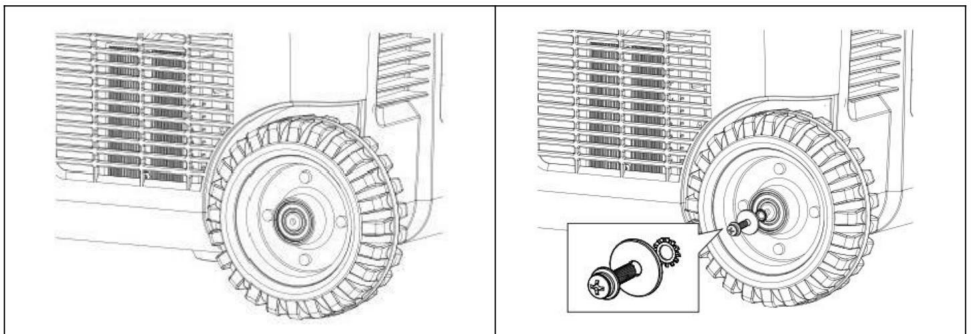
### Componentdiagram

#### Onderdelenschema

- ÿDoos
- ÿLamp
- ÿGroentenbord
- ÿDoosdeksel
- ÿGrijpende hand
- ÿAfsluitstrip
- ÿOpbergruimte
- ÿBedieningspaneel
- ÿHandgreep
- ÿBatterij (optioneel)
- ÿVoedingscontact
- ÿwiel
- ÿhendel



### Installeert de rol



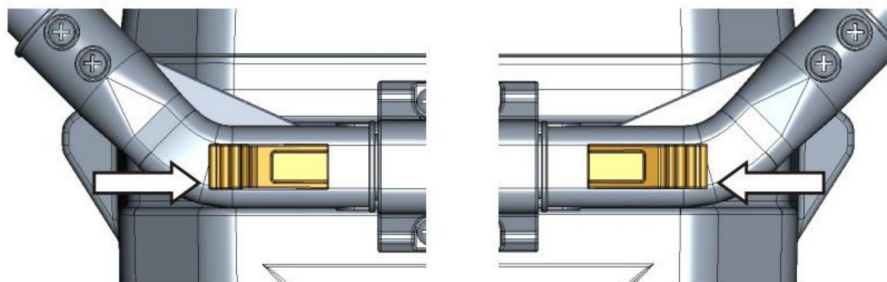
Plaats de rol in de rolas

Gebruik een schroevendraaier om vast te draaien

foto bestellen

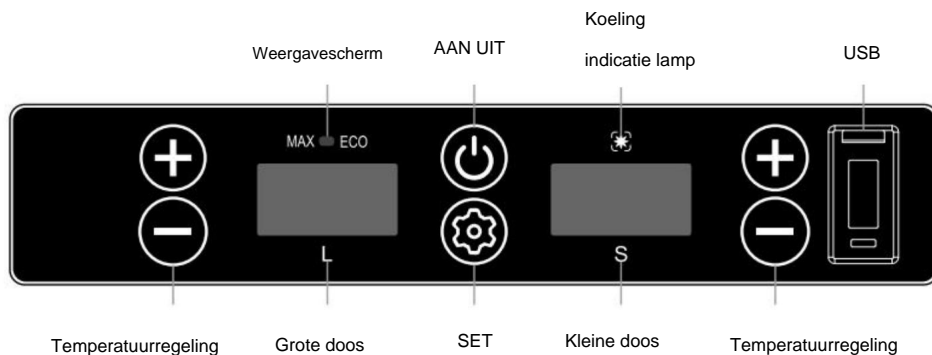
## Instructies voor hengel

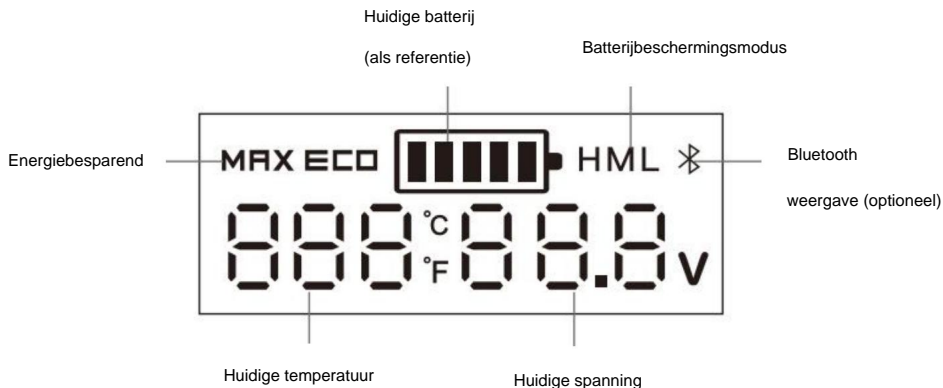
Als de trekstang niet kan worden uitgetrokken wanneer deze in vergrendelde toestand staat, bedien deze dan de ontgrendelingsknop om de vergrendelingsstatus te verwijderen, en de trekstang kan zijn uitgetrokken, zoals weergegeven in de afbeelding:




Druk op de links/rechts-knoppen in de pijl om te ontgrendelen.

## Optionele bedieningsmethode

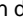
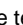

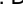





• **Voeding:** aansluiten op DC 12V/24V of AC 100-240V (met speciale adapter).


• **Initialisatie van het displayscherm:** na het inschakelen wordt het digitale display weergegeven één seconde volledig ingeschakeld en vervolgens normaal weergegeven. De standaardinstelling is de laatste geheugenfunctie. In de standby-status is de temperatuur van het scherm helder.  is

• **Voeding AAN/UIT:** druk op  AAN/UIT te schakelen.

• **Temperatuurinstelling:** druk in de bedrijfsstatus op  om te verhogen temperatuur, en druk op  om de temperatuur te verlagen; blijf op  of  drukken snel de temperatuur aanpassen. De instelling wordt automatisch opgeslagen nadat u drie seconden lang niet meer werkt.

Temperatuurinstelbereik: -20 ~ 20  (-4 ~ 68 

• **Instelling temperatuureenheid:** druk in de bedrijfsstatus lang op  tegelijkertijd gedurende drie seconden om tussen Celsius of Fahrenheit te schakelen.

• **Koelmodus:** druk in de lopende status op om MAX te schakelen  (snel koeling) en ECO (Energiebesparende modus). (\*Fabrieksinstelling is MAX.)

• **Batterijbeschermingsmodus:** druk lang op of drie als de status actief is 

seconden totdat het scherm knippert en druk vervolgens opnieuw op  om de beveiligingsmodus te selecteren

H1, N2, L3, nadat er geen toetsactie is gedetecteerd, stelt u de overeenkomstige versnelling in flikkeren gedurende 5 seconden, sluit de instelling af en sla op.

• **Uitschakelgeheugenfunctie:** Er is een uitschakelgeheugenfunctie voor auto koelkasten. Wanneer de stroom uitvalt, kan de werkstatus (Aan/Uit-status, werkmodus, enz.) vóór het uitschakelen automatisch worden hersteld op het volgende start; opnieuw instellen is niet nodig. ECO: Energiebesparende koeling MAX: Krachtige koeling.

## Eenvoudige foutanalyse

**Advies:** Als abnormale situaties niet door een simpele storing kunnen worden opgelost analyse, neem dan contact op met de professionele klantenservice voor bijstand.

### Autokoelkast werkt niet

1. Controleer of de stroom correct is aangesloten. (controleer of de stekker los zit of positieve en negatieve polen zijn omgedraaid).
2. Controleer of de aan/uit-schakelaar op het bedieningspaneel is ingeschakeld.
3. Controleer of de koelventilatie normaal is.
4. Controleer of de zekering is doorgebrand.

### Slechte koelprestaties

1. Controleer of het deksel goed gesloten is.
2. Controleer of de deurafdichting beschadigd of vervormd is.
3. Controleer of er slechte ventilatie rondom de koelkasten is.
4. Controleer of de temperatuur correct is ingesteld.

### Definitie van foutcodes op het display

Foutcode	Fouttype
E1	Lage ingangsspanning
E2	Ventilatorfout
E3	Het starten van de compressor is mislukt
E 4	Lage rotatiesnelheid van de compressor



E5	Temperatuur van de controllermodule te hoog
E6	Open of kortsluiting van NTC

### **Abnormaal geluid**

1. De autokoelkast is niet soepel geplaatst.
2. Raak een muur of ander voorwerp aan.
3. Er zitten onderdelen los of vallen eraf.

### **Condensatie op het oppervlak van de koelkast**

Wanneer de luchtvochtigheid in de omgeving hoger is dan 75%, zal er sprake zijn van lichte condensatie optreden op het oppervlak van de doos, wat normaal is.

## **Mislukkingen en oplossingen**

### **ÿE1: Lage ingangsspanning**

Fout 1: Steek eerst het netsnoer van de koelkast in de sigarettenaansteker van de auto start. Oplossing 1: Wacht een tijdje met het aansluiten van de auto nadat deze is gestart.

Fout 2: De ingangsspanning van de adapter is te laag.

Oplossing 2: Pas het beveiligingsniveau van de batterij aan naar middenspanning of lage spanning. Als het niet werkt, vervang dan een nieuwe adapter.

### **ÿE2: Ventilatorfout**

Vervang een nieuwe ventilator als u constateert dat er een ventilatorstoring is.

### **ÿE3: Fout in ingangsspanning vanwege veelvuldig starten van de compressor**

Wanneer de koelkast in de auto wordt gebruikt en E3 verschijnt, sluit deze dan 5 minuten uitgeschakeld en opnieuw opgestart.

Als het niet werkt, kan dit als EI-fout worden aangemerkt; los het alsjeblieft op volgens de oplossing van EI.

Wanneer de koelkast verbinding maakt met de adapter en E3 verschijnt

ÿ Stel het batterijbeschermingsniveau in op het middelste of lage niveau. ÿ Als het niet werkt, vervang dan een nieuwe adapter.

#### **ÿE4: Lage rotatiesnelheid van compressor**

Pas de ingangsspanning aan en schakel deze opnieuw in.

#### **ÿE5: Oververhitting van controllerchip**

Schakel het apparaat gedurende 5 minuten uit en controleer of er sprake is van slechte ventilatie rondom het apparaat compressor veroorzaakt oververhitting.

### **Paklijst**

<b>Nee.</b>	<b>Item</b>		<b>Opmerking</b>
1	Koelkast	<b>Aantal</b> 1 set	
2	Sigaretendraad	1 set	
3	Oplader	1 set	
4	Handmatig	1 stuk	
5	Rol	2 stuks	
6	Schroevendraaier	1 stuk	

### **Gebruik suggesties**

1. Indien uitgerust met een reservebatterij, kunt u elke gewenste temperatuur handhaven onder alle omstandigheden zorgeloos instellen.
2. Stel bij het plaatsen van ijs de temperatuur in op de laagste; Het moet lange tijd ingeschakeld zijn.
3. Voorkom de gezondheidsproblemen van het drinken van flessenwater veroorzaakt door high temperaturen.
4. Diepgevroren voedsel, zeldzame zeevruchten en op voertuigen gemonteerde koelkasten laten bevroren vers voedsel vergezelt de reis.

5. Gezondheidszorgproducten, insuline en geïmporteerde medicijnen moeten worden gekoeld, en de nauwkeurige temperatuurcontrole van de koelkasten aan boord zal dit begeleiden gezondheid onderweg.
6. De theeblaadjes worden effectief vers gehouden in de autokoelkast, en ook in jou kan op elk moment verse en heerlijke thee drinken tijdens de zelfrijdende tour.
7. De beste bewaartemperatuur van rode wijn is 10 ° - 18 ° (50 - 64,4 °).  
De nauwkeurige temperatuurregeling van de autokoelkast kan effectief zijn zorgen voor de bewaartemperatuur van rode wijn.
8. De bewaartijd van hoogwaardig fruit in de auto tijdens hoogzomer  
De temperatuur zal minimaal 2 uur bedragen. De opslagtijd is zelfs korter de airconditioner is ingeschakeld. Het gebruik van een autokoelkast kan effectief zijn hoogwaardig fruit bewaren.
9. De coating van hoogwaardige zonnebrillen zal eraf vallen onder de hoge temperatuur in de zomer. De autokoelkast is een ideale plek om deze te plaatsen.
10. Hoogwaardige cosmetica gaat snel achteruit bij hoge temperaturen de auto. Cosmetica meenemen in de auto; de autokoelkast zal uw beter zijn keuze.

## Veiligheidsmaatregelen

- (1) Zorg ervoor dat de voedingsspanning die is aangesloten op de koelkast aan boord is op elk moment correct  
(De parameters zijn gelabeld met de goedgekeurde spanningsparameters van de koelkast aan boord).
- (2) Giet geen vloeistof rechtstreeks in de autokoelkast.
- (3) Het is verboden om zonder toestemming wijzigingen aan de koelkast aan te brengen  
Gevaar.
- (4) Dit apparaat is niet bedoeld voor gebruik door personen (inclusief kinderen) met verminderde fysieke, zintuiglijke of mentale vermogens of gebrek aan ervaring en kennis, tenzij zij toezicht of instructie hebben gekregen  
betreffende het gebruik van het apparaat door een persoon die verantwoordelijk is voor hun veiligheid.
- (5) Kinderen moeten onder toezicht staan om te voorkomen dat ze met het apparaat spelen.

- (6) Dit apparaat kan worden gebruikt door kinderen van 8 jaar en ouder en personen met verminderde fysieke, zintuiglijke of mentale vermogens of gebreken van ervaring en kennis als zij onder toezicht staan of instructies over het veilige gebruik van het apparaat en dat u deze begrijpt de gevaren die daarmee gepaard gaan. Kinderen mogen niet met het apparaat spelen. Schoonmaak en gebruikersonderhoud mag niet door kinderen zonder toezicht worden uitgevoerd.
- (7) Om gevaar als gevolg van de instabiliteit van het apparaat te voorkomen, moet het worden bevestigd onder de instructies.
- (8) Bewaar geen explosieve stoffen zoals spuitbussen met een brandbaar drijfgas in dit apparaat.

**WAARSCHUWING:** Dit apparaat bevat een ontvlambaar schuimmiddel cyclopentaan:

- 1) Vermijd contact met vuur wanneer u het transporteert en gebruikt.
- 2) Vraag een professional om onderhoud als de machine kapot gaat.
- 3) Stuur het alstublieft naar het plaatselijke aangewezen afvalverwerkingsstation als u het weggooit

Het.



**WAARSCHUWING:** Let tijdens gebruik, service en afvoer van het apparaat op een symbool dat lijkt op de linkerkant, dat zich bevindt op de achterkant van het apparaat (achterpaneel of compressor) en met geel of Oranje kleur. Het is een waarschuwingssymbool voor brandgevaar. Er zijn ontvlambare stoffen materialen in koelmiddelleidingen en compressoren. Wees alsjeblieft ver weg vuur bron tijdens gebruik, service en verwijdering.

## FCC-informatie

**LET OP:** Wijzigingen of aanpassingen die niet uitdrukkelijk door de partij zijn goedgekeurd die verantwoordelijk is voor naleving kan de bevoegdheid van de gebruiker om het apparaat te bedienen ongeldig maken apparatuur!

Dit apparaat voldoet aan Deel 15 van de FCC-regels. De werking is onderhevig aan de volgende twee voorwaarden:

- 1) Dit product kan schadelijke interferentie veroorzaken.

2)Dit product moet alle ontvangen interferentie accepteren, inclusief interferentie die een ongewenste werking kan veroorzaken.

**WAARSCHUWING:** Wijzigingen of aanpassingen aan dit product zijn niet uitdrukkelijk toegestaan goedgekeurd door de partij die verantwoordelijk is voor de naleving kan het recht van de gebruiker ongeldig maken bevoegdheid om het product te bedienen.

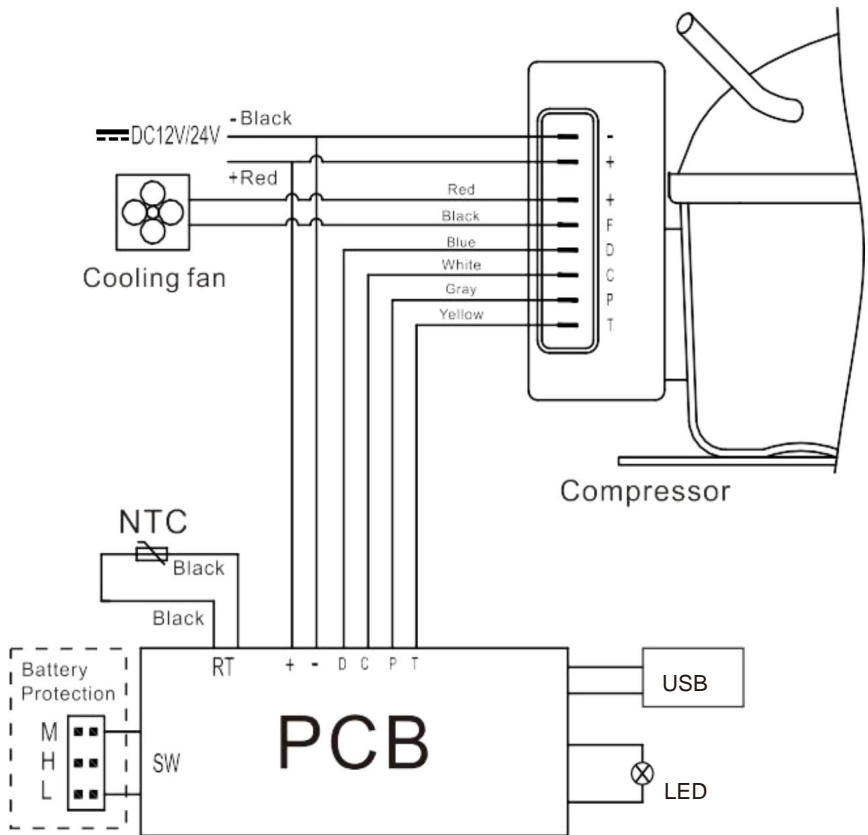
**Let op:** Dit product is getest en voldoet aan de limieten voor een digitaal apparaat van Klasse B overeenkomstig Deel 15 van de FCC-regels, deze limieten zijn ontworpen om redelijke bescherming te bieden tegen schadelijke interferentie in een wooninstallatie.

Dit product genereert, gebruikt en kan radiofrequentie-energie uitstralen als dit niet volgens de instructies wordt geïnstalleerd en gebruikt, kan dit leiden tot schadelijke interferentie van radiocommunicatie. Er is echter geen garanderen dat er geen interferentie zal optreden in een bepaalde installatie. Als dit product veroorzaakt schadelijke interferentie op radio of televisie ontvangst, die kan worden bepaald door het product uit en weer in te schakelen

De gebruiker wordt aangeraden te proberen de interferentie door een of meer van de volgende apparaten te corrigeren volgende maatregelen.

- Heroriënteer of verplaats de ontvangstantenne.
- Vergroot de afstand tussen het product en de ontvanger.
- Sluit het product aan op een stopcontact op een ander circuit dan dat waarop de ontvanger is aangesloten.
- Raadpleeg de dealer of een ervaren radio-/tv-technicus voor hulp.

## Elektrisch schema





**VEVOR**<sup>®</sup>

**TOUGH TOOLS, HALF PRICE**

Technische ondersteuning en e-  
garantiecertificaat <https://www.vevor.com/support>



# **VEVOR<sup>®</sup>**

## **TOUGH TOOLS, HALF PRICE**

Teknisk support och e-garanticertifikat [www.vevor.com/support](http://www.vevor.com/support)

### **BIL KYLSKÅP**

### **ANVÄNDARMANUAL**

**MODELL: X40K X50K**

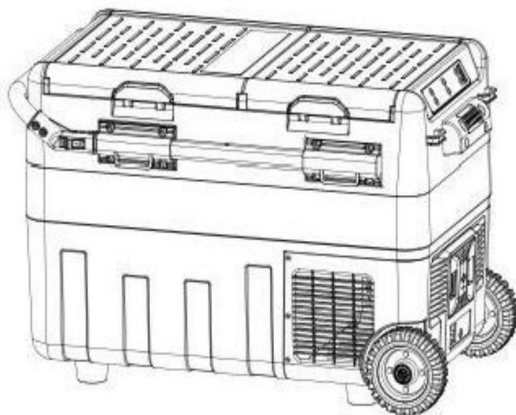
Vi fortsätter att vara engagerade i att ge dig verktyg till konkurrenskraftiga priser.

"Spara hälften", "halva priset" eller andra liknande uttryck som används av oss representerar bara en uppskattning av besparingar du kan dra nytta av att köpa vissa verktyg hos oss jämfört med de stora toppmärkena och betyder inte nödvändigtvis att täcka alla kategorier av verktyg som erbjuds av oss. Du påminns vänligen om att noggrant kontrollera när du gör en beställning hos oss om du faktiskt sparar hälften i jämförelse med de främsta stora varumärkena.

# VEVOR®

*Bilkylskåp*

**MODELL: X40K X50K**






<Endast bild för referens >

## **BEHÖVS HJÄLP? KONTAKTA OSS!**

Har du produktfrågor? Behöver du teknisk support? Kontakta oss gärna:

**Teknisk support och e-garanticertifikat**  
**[www.vevor.com/support](http://www.vevor.com/support)**

Detta är den ursprungliga instruktionen, läs alla instruktioner noggrant innan du använder den. VEVOR reserverar sig för en tydlig tolkning av vår användarmanual. Utseendet på produkten är beroende av den produkt du fått. Ursäkta oss att vi inte kommer att informera dig igen om det finns någon teknik eller mjukvaruuppdateringar på vår produkt.

	<p>Varning - För att minska risken för skada måste användaren läsa bruksanvisningen noggrant.</p>
 	<p>Denna produkt omfattas av bestämmelserna i det europeiska direktivet 2012/19/EG. Symbolen som visar en soptunna korsad genom indikerar att produkten kräver separat avfall insamling i Europeiska unionen. Detta gäller produkten och alla tillbehör märkta med denna symbol. Produkter märkta får som sådan inte slängas med vanligt hushållsavfall, men måste lämnas till en samlingsplats för återvinning av elektriska och elektroniska apparater</p>

### Uppmärksamhet

**Innan du använder kylskåpet, läs denna bruksanvisning noggrant och förvara den ordentligt**

1. Innan du använder kylskåpet, rengör det inuti och utvändigt med en fuktig trasa.
2. Fyll inte kylskåpet med frätande vätskor. Häll inte direkt vätskor in i kylan.
3. När kylskåpet inte används under en längre tid, koppla ur strömförsörjning och håll den torr.
4. Rengör regelbundet den inre kammaren för att förhindra lukt och bakterier och säkerställa livsmedelssäkerhet.
5. Stäng av kylskåpet och batteriet innan du drar i vagnen (om med batteri).

### Anslut strömförsörjningen

1. Hitta likströmskabeln i satsen. Anslut DC-kontakten till eluttaget på bilens kylskåp.

2. Väl placera kylskåpen i bilen (back-up, säten...).
3. Lägg ut nätsladdar efter bilens inre utrymme. Sätt i cigaretten tändkontakten (ena sidan av nätsladden) i bilens cigarettändarhål.



Adapter



Anslut bilens cigarettändare



DC 12/24V

Anslut bilkylskåpet

1. Kylskåpet kan anslutas till mer än en energikälla.
2. Kylskåpet kan anslutas direkt till DC12V/24V strömförsörjningen.
3. Om kylskåpet används en AC100-240V strömförsörjning, en nätadapter bör antas.

## Drift av bilkylskåp

### Referens för spänningsskydd för bilbatteri:

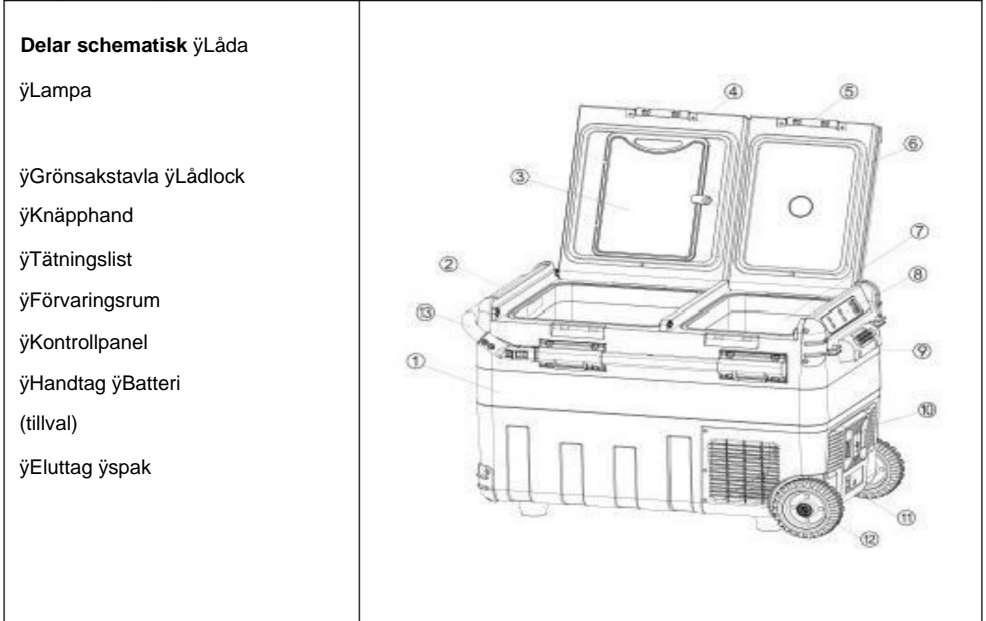
Inbyggt ECO elektronisk kontrollmodul kan automatiskt övervaka bilen batterivolt. Kylskåpet stängs automatiskt av när ström förbrukas för mycket, vilket skyddar batteriförbrukningen från är för låg för att påverka självtändningen.

Batteri Spänning	Fabriksinställt spänningsskyddsvärde H		
	H (hög) nivå	M (medium) nivå	L (låg) nivå
DC12V	DC11,3V AV DC12,5V PÅ	DC10.1V AV DC11,4V PÅ	DC9,6V AV DC10,9V PÅ

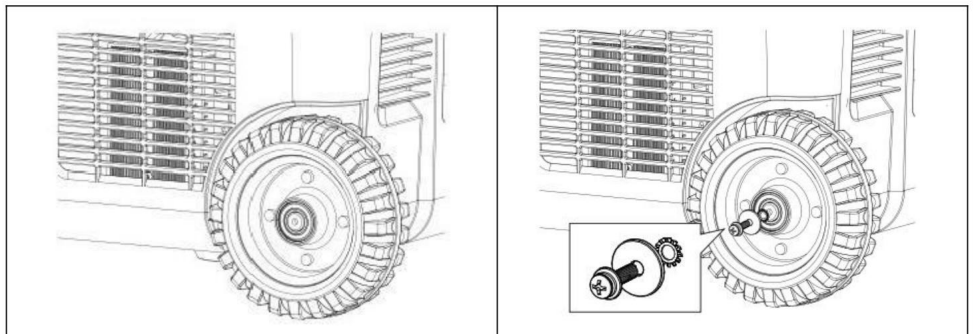
DC24V	DC24,6V AV DC26.0V PÅ	DC22,3V AV DC23,7V PÅ	DC21,3V AV DC22,7V PÅ
-------	--------------------------	--------------------------	--------------------------

**Obs:** När strömförsörjningen är ansluten och kylskåpet är påslaget, hänvisar fränkoppling eller start till att koppla från eller starta kompressorn.

### Komponentdiagram



### Installerar rullen

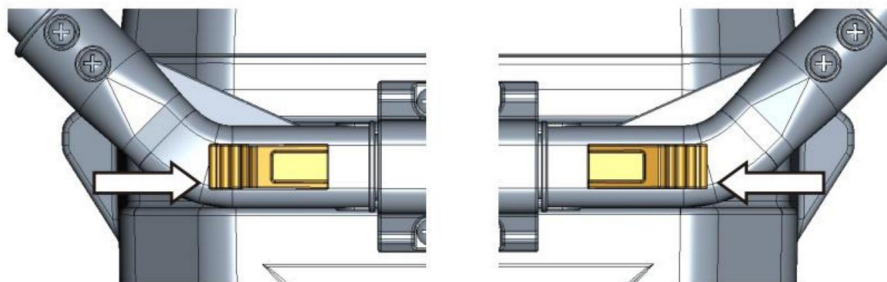


Sätt in rullen i rullaxeln

Använd en skruvmejsel för att dra åt bildordning

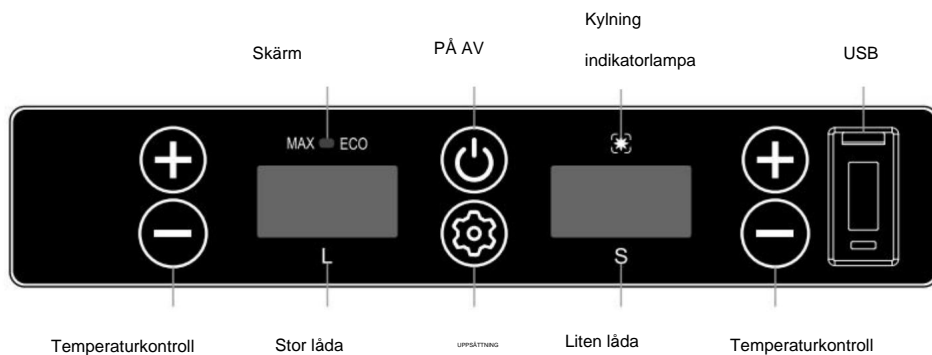
### Instruktioner för spö

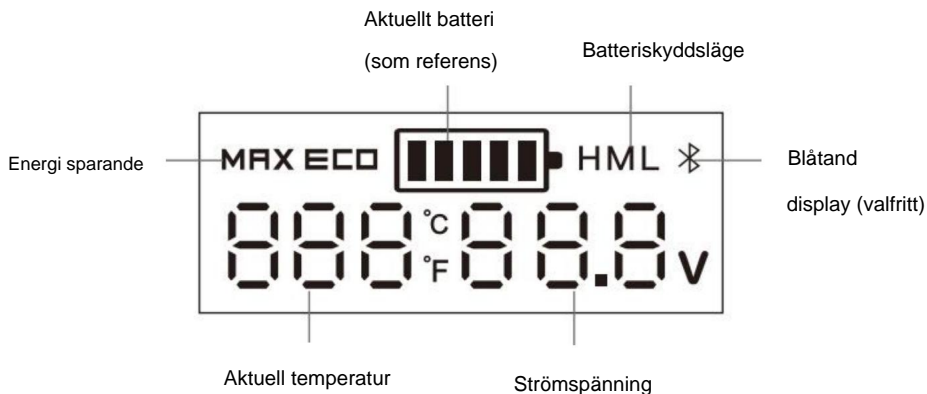
Om dragstången inte kan dras ut när den är i låst läge, kör upplåsningsskruven för att ta bort låsläget, och dragstången kan vara utdragen, som visas i bilden:



Tryck på vänster/höger-knapparna i pilen för att låsa upp.

### Valfri driftmetod





• **Strömförsörjning:** anslut till DC 12V/24V eller AC 100-240V ström (med dedikerad adapter).

• **Display Screen Initialization:** Efter påslagning är den digitala displayen helt på i en sekund och visas sedan normalt. Standard är den sista minnesfunktion. I standby-läge är skärmens temperatur ljus.

” ”  
” ” är

• **Ström PÅ/AV:** tryck



för att slå PÅ/AV.

• **Temperaturinställning:** under körläge, tryck på  $\uparrow$  för att öka temperatur och tryck på  $\downarrow$  för att minska temperaturen; fortsätt att trycka på  $\uparrow$  eller  $\downarrow$  för att justering av temperaturen snabbt. Inställningen sparas automatiskt efter att ha stannat i tre sekunder.

Temperaturinställningsområde: -20~20  $\uparrow$  (-4~68  $\uparrow$ )

• **Inställning av temperaturenhet:** under driftläge, tryck länge på  $\uparrow$  vid samtidigt i tre sekunder för att byta Celsius eller Fahrenheit.

• **Kylningsläge:** under körläge, tryck för att växla MAX (snabb kylning) och ECO(Energisparläge).(\*Fabriksinställningen är MAX.)

• **Batteriskyddsläge:** under driftläge, lång tryckning eller tre

sekunder tills skärmen blinkar, tryck sedan på igen för att välja skyddsläge

H1yN2 yL3, efter att ingen nyckelåtgärd har upptäckts, ställ in motsvarande växel flimmer i 5 sekunder, avsluta inställningen och spara.

**- Minnesfunktion för avstängning:** Det finns en minnesfunktion för avstängning för bilkylskåp. När strömmen bryts kan arbetstillståndet (på/av-status, arbetsläge, etc.) före avstängning automatiskt återställas vid nästa uppstart; du behöver inte ställa in den igen. ECO: Energibesparande kyla MAX: Kraftfull kylning.

## Enkel felanalys

**Råd:** Om onormala situationer inte kan lösas genom ett enkelt fel analys, vänligen kontakta professionell kundtjänst för bistånd.

### Bilkylskåp fungerar inte

1. Kontrollera om strömmen är korrekt ansluten. (kontrollera om kontakten är lossad eller positiva och negativa poler är omvända).
2. Kontrollera om strömbrytaren på manöverpanelen är påslagen.
3. Kontrollera om kylventilationen är normal.
4. Kontrollera om säkringen har gått.

### Dålig kylprestanda

1. Kontrollera att locket är ordentligt stängt.
2. Kontrollera om dörrtätningen är skadad eller deformerad.
3. Kontrollera om det är dålig ventilation runt kylan.
4. Kontrollera om temperaturen är korrekt inställd.

### Definition av felkoder på displayen

Felkod	Typ av fel
E1	Låg inspänning
E2	Fläktfel
E3	Kompressorstart misslyckades
E4	Lågt varvtal för kompressorerna



E5	Styrmodulens temperatur är för hög
E6	Öppen eller kortslutning av NTC

### **Onormalt ljud**

1. Kylskåpet är inte placerat smidigt.
2. Rör vid en vägg eller annat föremål.
3. Det finns delar som är lösa eller faller av inuti.

### **Kondens på kylskåpets yta**

När den omgivande luftfuktigheten överstiger 75 % uppstår lätt kondens förekommer på lådans yta, vilket är normalt.

## **Misslyckanden och lösningar**

### **ÿE1: Låg inspänning**

Fel 1: Sätt i kylskåpets strömkabel i cigarettändaren innan bilen startar. Lösning 1: Vänta ett tag med att ansluta bilen efter att den har startat.

Fel 2: Ingångsspänningen på adaptern är för låg.

Lösning 2: Justera batteriskyddsnivån till mellanspänning eller låg spänning. Om det inte fungerar, byt ut en ny adapter.

### **ÿE2: Fläktfel**

Byt ut en ny fläkt när du identifierar att det finns ett fläktfel.

### **ÿE3: Inspänningsfel på grund av att kompressorn startas ofta**

När kylskåpet används i bilen och E3 visas, vänligen stäng det ner i 5 minuter och starta om den.

Om det inte fungerar kan det identifieras som E1 fel; snälla lös det enligt lösningen av E1.

När kylskåpet ansluts till adaptern och E3 visas

ÿ Justera batteriskyddsnivån till mitten eller låg nivå. ÿ Om det inte fungerar, byt ut en ny adapter.

#### ÿE4: Kompressorns låga varvtal

Vänligen justera ingångsspänningen och slå på den igen.

#### ÿE5: Överhettning av kontrollchip

Stäng av i 5 minuter och kontrollera om den usla ventilationen runt enheten kompressorn orsakar överhettning.

### Packlista

Nej.	Artikel		Anmärkning
1	Kylskåp	Antal 1 set	
2	Cigarettråd	1 set	
3	Strömadapter	1 set	
4	Manuell	1 st	
5	Roller	2 st	
6	Skruvmejsel	1 st	

### Använd förslag

1. Om du är utrustad med ett reservbatteri kan du behålla vilken temperatur som helst ställs under alla omständigheter utan bekymmer.
2. När du placerar glass, vänligen justera temperaturen till den lägsta; Det måste vara påslagen under lång tid.
3. Förhindra hälsoproblem att dricka vatten på flaska orsakade av hög temperaturer.
4. Frysta livsmedel, sällsynta skaldjur och fordonsmonterade kylskåp låt frysas färsk mat följer med resan.

5. Sjukvårdsprodukter, insulin och importerade läkemedel måste kylas, och den exakta temperaturkontrollen av kylskåpen ombord kommer att eskorteras hälsa på vägen.
6. Tebladen hålls effektivt fräscha i bilens kylskåp, och du kan dricka färskt och utsökt te när som helst under självkörningsturen.
7. Den bästa lagringstemperaturen för rött vin är 10 °C - 18 °C (50 - 64,4 °F). Den exakta temperaturkontrollen av bilkylskåpet kan effektivt säkerställa lagringstemperaturen för rött vin.
8. Lagringstiden av högkvalitativ frukt i bilen vid högsommar temperaturerna kommer att vara minst 2 timmar. Lagringstiden är kortare även om luftkonditioneringen är påslagen. Att använda ett bilkylskåp kan effektivt konservera högkvalitativ frukt.
9. Beläggningen på solglasögon av hög kvalitet kommer att falla av under det höga temperatur på sommaren. Bilkylskåpet är en idealisk plats att placera den på.
10. Högkvalitativ kosmetika försämras snabbt under höga temperaturer i bilen. Bär kosmetika med bilen; bilkylskåpet blir ditt bättre val.

## Säkerhetsåtgärder

- (1) Se till att strömspänningen som är ansluten till det inbyggda kylskåpet är korrekt när som helst (Parametrarna är märkta med de godkända spänningsparametrarna för kylskåp ombord).
- (2) Håll inte vätska direkt i bilkylskåpet.
- (3) Att modifiera kylskåpet utan tillstånd är förbjudet att undvika fara.
- (4) Denna apparat är inte avsedd att användas av personer (inklusive barn) med nedsatt fysisk, sensorisk eller mental förmåga eller bristande erfarenhet och kunskap om de inte har fått handledning eller instruktioner angående användningen av apparaten av en person som ansvarar för deras säkerhet.
- (5) Barn bör övervakas för att undvika att leka med apparaten.

(6) Denna apparat kan användas av barn från 8 år och uppåt och personer med nedsatt fysisk, sensorisk eller mental förmåga eller brist av erfarenhet och kunskap om de har fått handledning eller instruktioner angående användning av apparaten på ett säkert sätt och förstå de inblandade farorna. Barn får inte leka med apparaten. Rengöring och användarunderhåll får inte utföras av barn utan tillsyn.

(7) För att undvika en fara på grund av apparatens instabilitet måste den fixeras enligt instruktionerna.

(8) Förvara inte explosiva ämnen såsom aerosolburkar med en brandfarligt drivmedel i denna apparat.

**WARNING:** Denna apparat innehåller brandfarligt skummedel cyklopentan:

- 1) Undvik kontaktbrand när du transporterar och använder den.
- 2) Vänligen be en fackman om service när maskinen går sönder.
- 3) Skicka den till din lokala återvinningsstation när du kasserar

Det.



**WARNING:** Under användning, service och kassering av apparaten, var uppmärksam på en symbol som liknar den vänstra sidan, som finns på baksidan av apparaten (bakpanel eller kompressor) och med gul eller orange färg. Det är en varningssymbol för brandrisk. Det finns brandfarliga material i köldmedierör och kompressorer. Vänligen var långt borta eld källa under användning, service och kassering.

## FCC-information

**WARNING:** Ändringar eller modifieringar som inte uttryckligen godkänts av parten ansvarig för efterlevnad kan ogiltigförklara användarens behörighet att använda Utrustning!

Denna enhet uppfyller del 15 av FCC-reglerna. Driften är föremål för följande två villkor:

- 1) Denna produkt kan orsaka skadliga störningar.

2) Denna produkt måste acceptera alla mottagna störningar, inklusive störningar som kan orsaka oönskad funktion.

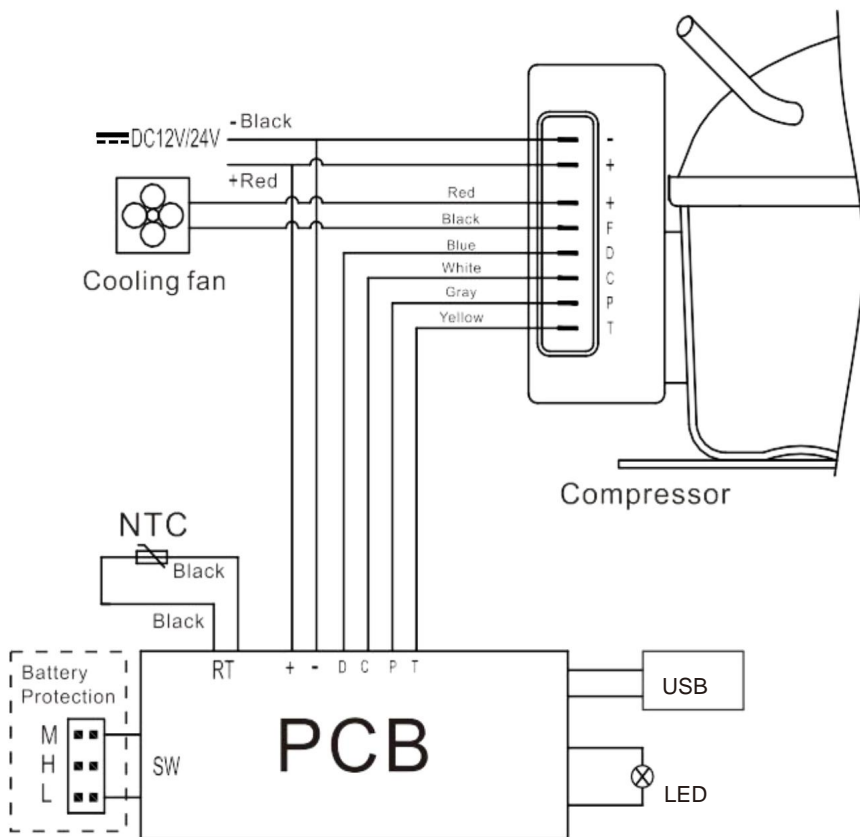
**WARNING:** Ändringar eller modifieringar av denna produkt inte uttryckligen godkänd av parten. ansvarig för efterlevnad kan ogiltigförklara användarens behörighet att använda produkten.

**Obs:** Denna produkt har testats och befunnits följa gränserna för en digital enhet av klass B i enlighet med del 15 av FCC-reglerna, dessa gränser är utformade för att ge rimligt skydd mot skadlig störning i en bostadsanläggning.

Denna produkt genererar, använder och kan utstråla radiofrekvensenergi, och om den inte installeras och används i enlighet med instruktionerna, kan orsaka skadliga störningar på radiokommunikation. Det finns dock ingen garanti att störningar inte kommer att inträffa i en viss installation. Om det här produkten orsakar skadliga störningar på radio eller TV mottagning, vilket kan bestämmas genom att stänga av och på produkten användaren uppmuntras att försöka korrigera störningen av en eller flera av de följande åtgärder.

- Rikta om eller flytta mottagningsantennen.
- Öka avståndet mellan produkten och mottagaren.
- Anslut produkten till ett uttag på en annan krets än den till vilken mottagaren är ansluten.
- Kontakta återförsäljaren eller en erfaren radio/TV-tekniker för hjälp.

## Elektriskt schematiskt diagram





**VEVOR**®

**TOUGH TOOLS, HALF PRICE**

Teknisk support och e-garanticertifikat [https://  
www.vevor.com/support](https://www.vevor.com/support)