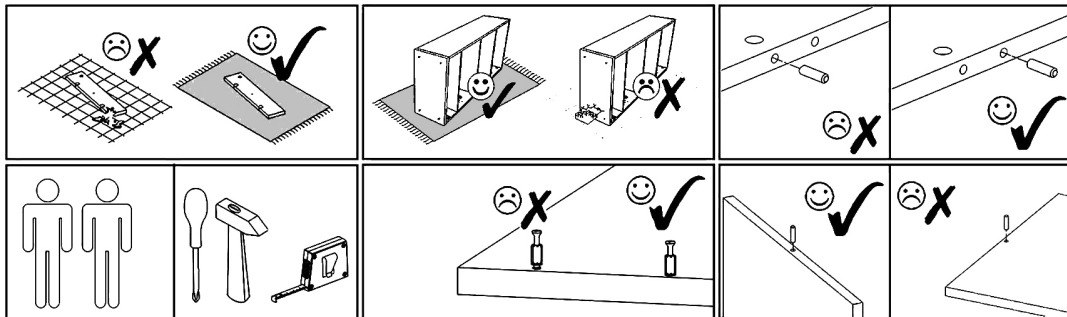
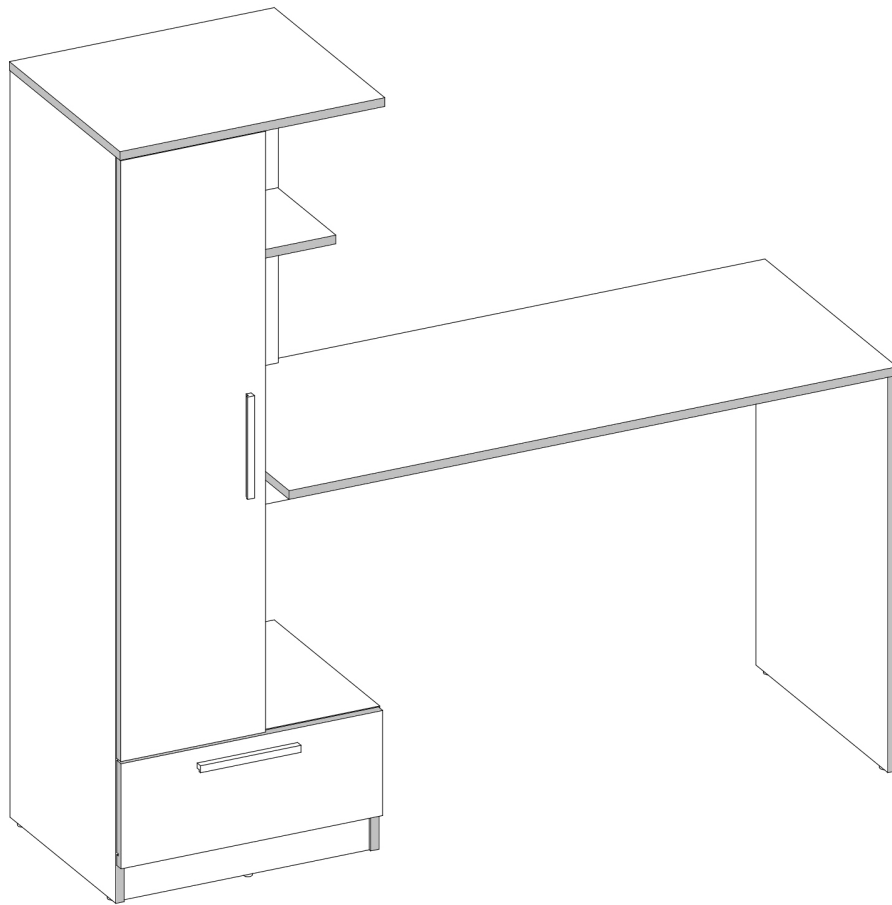
















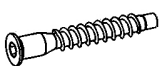
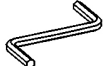


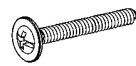


## COSMO

PRODUCTION DATE

PACKING CODE

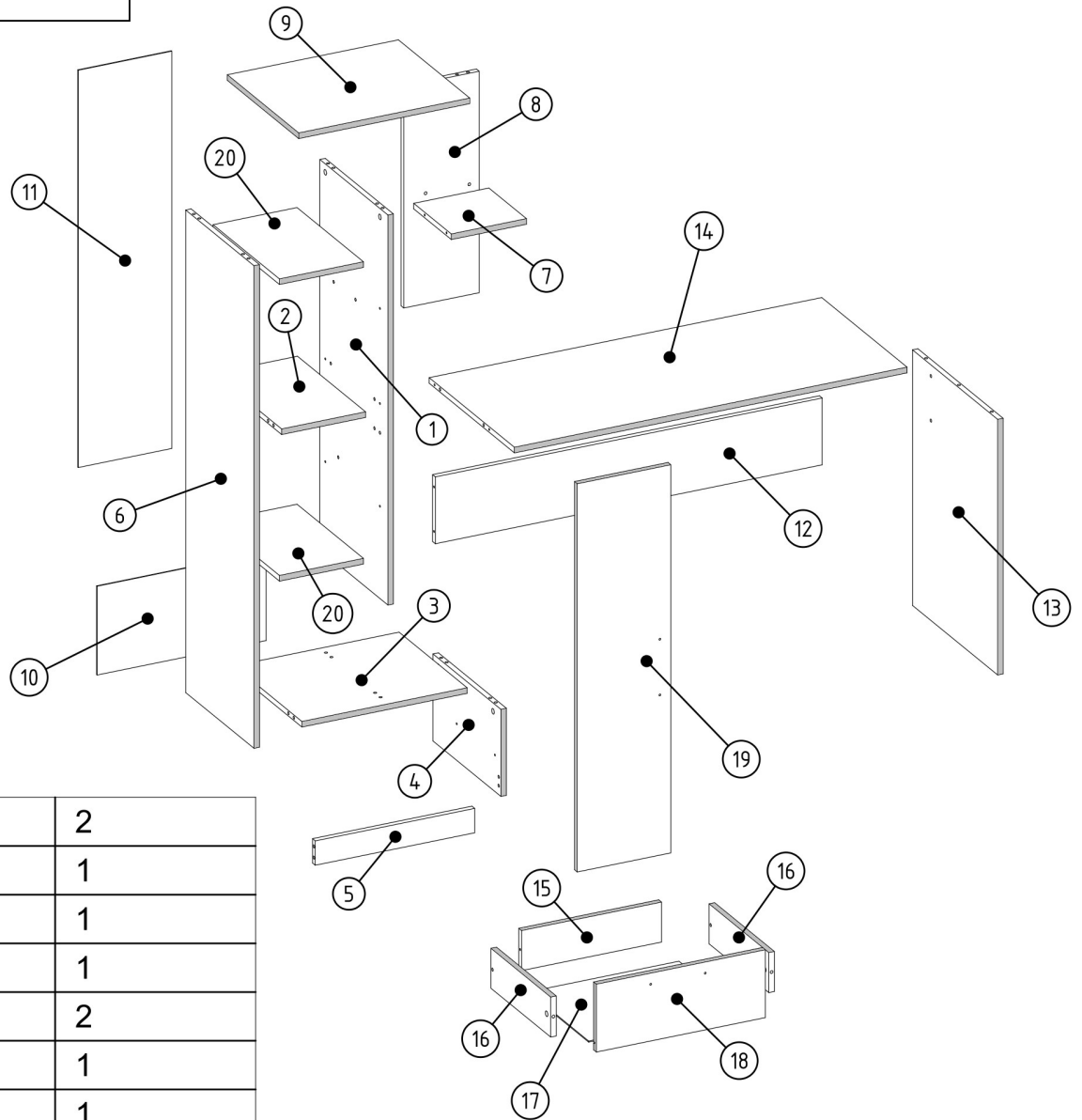


<b>B2</b>  K ø12/4mm x2	<b>U3</b>  CZ L=190/160 x2	<b>V13</b>  x1	<b>V15</b>  x3	<b>V12</b>  x1	<b>S1</b>  3,5x16mm x8	<b>T1</b>  x7	<b>P3</b>  L=350mm x1	<b>Z1</b>  x50	<b>V16</b>  5x16mm x8	<b>B1</b>  B ø17/4mm x2	<b>B2</b>  B ø12/4mm x2	<b>B2</b>  S-A ø12/4mm x2
<b>M1</b>  12x15mm x16	<b>E1</b>  8x30mm x25	<b>R1</b>  6x8mm x4	<b>F1</b>  7x50mm x14	<b>F3</b>  Hex 4mm x1	<b>A1</b>  ZP x2	<b>N1</b>  L=35mm x16	<b>R7</b>  4x27mm x4	IM2504.02				



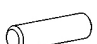

## COSMO

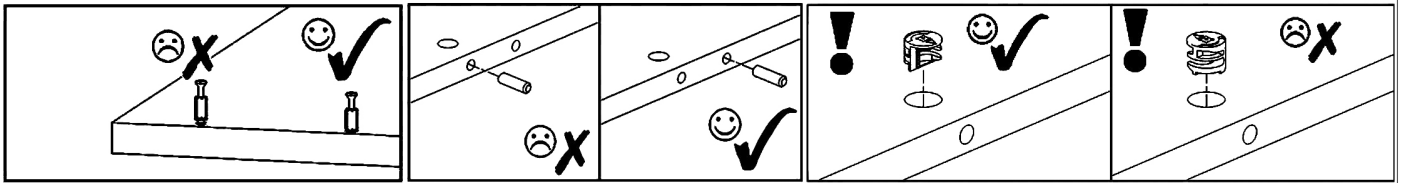
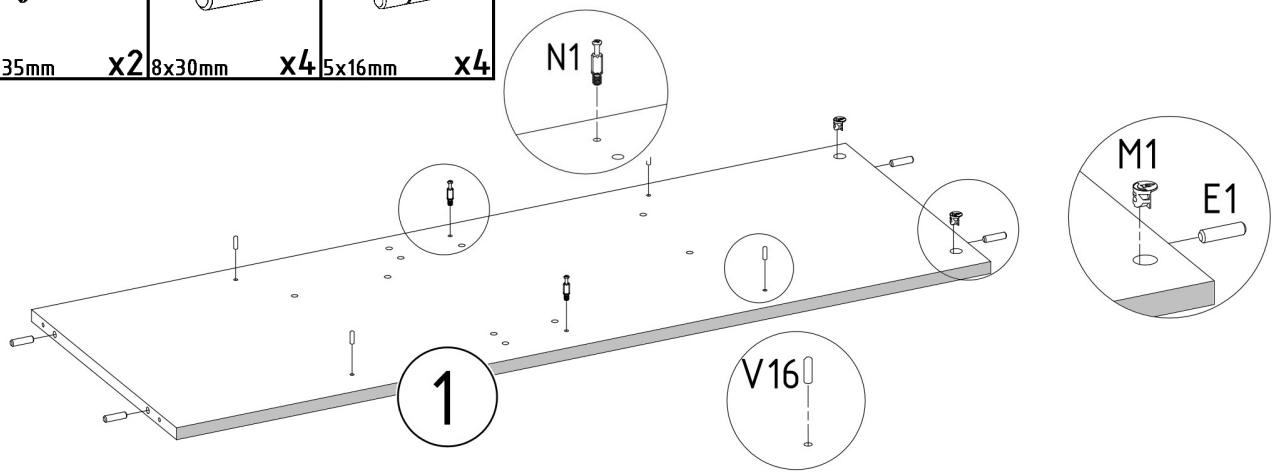
PRODUCTION DATE


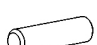
PACKING CODE

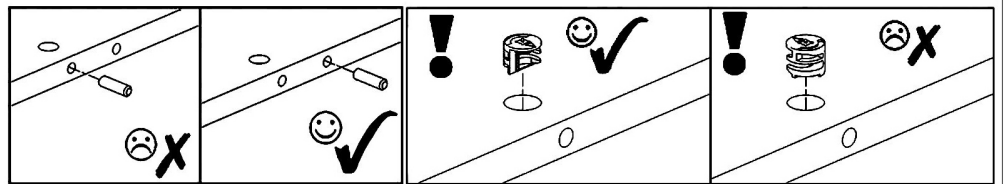
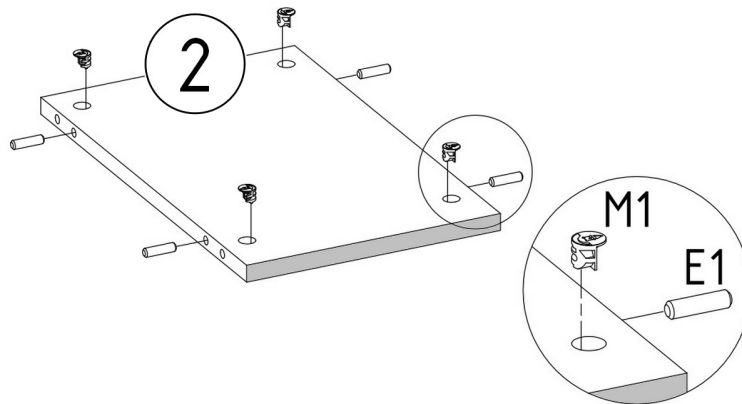





001626	20	2
001633	19	1
001632	18	1
001620	17	1
000053	16	2
001619	15	1
001637	14	1
001628	13	1
001629	12	1
001631	11	1
001630	10	1
001623	9	1
001627	8	1
001622	7	1
001636	6	1
001634	5	1
001635	4	1
001624	3	1
001621	2	1
001625	1	1
ID	NUMBER	QUANTITY

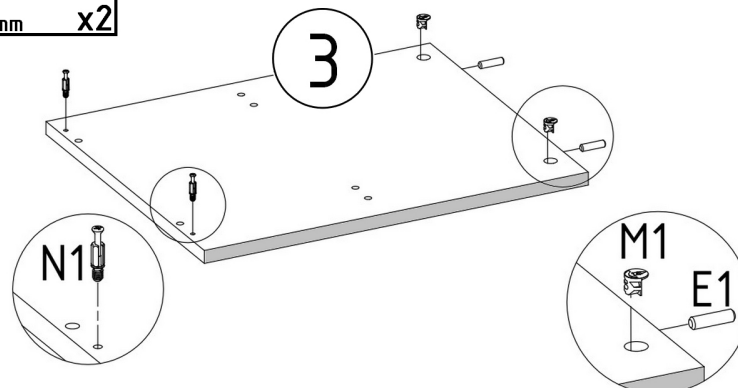
<b>M1</b>  12x15mm x2	<b>N1</b>  L=35mm x2	<b>E1</b>  8x30mm x2	<b>V16</b>  5x16mm x4
---	--	--	---

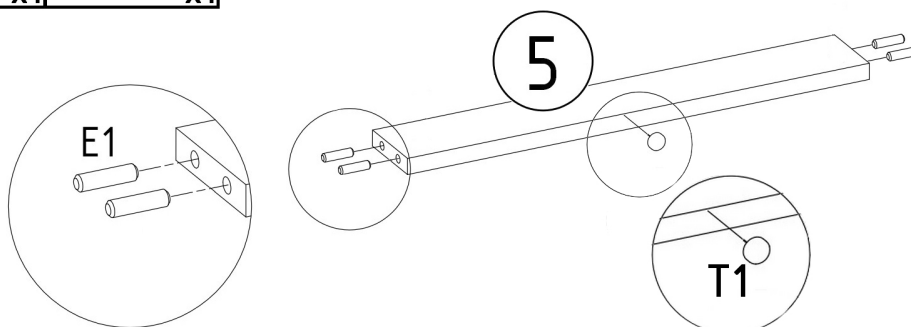
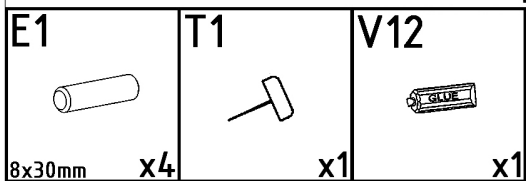
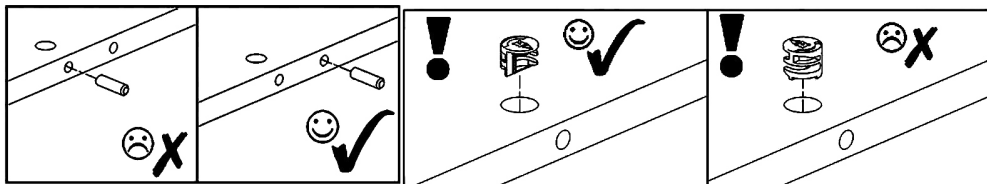
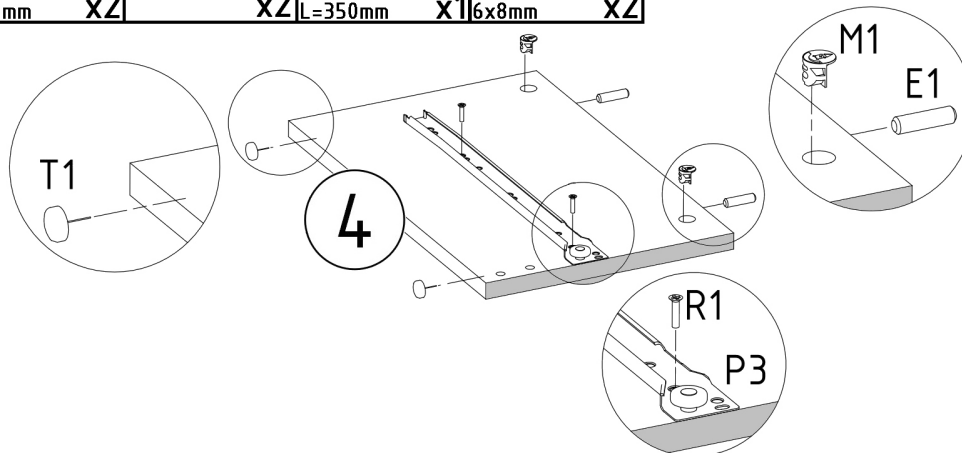
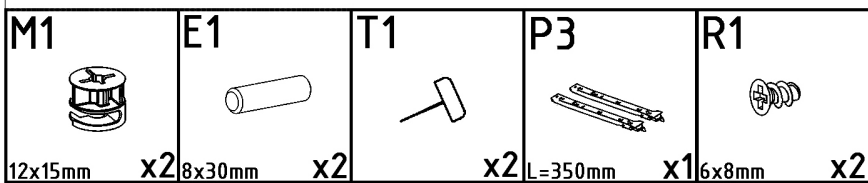
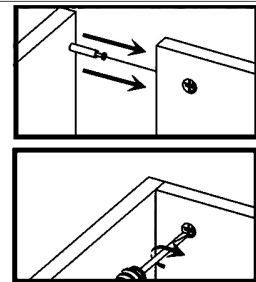
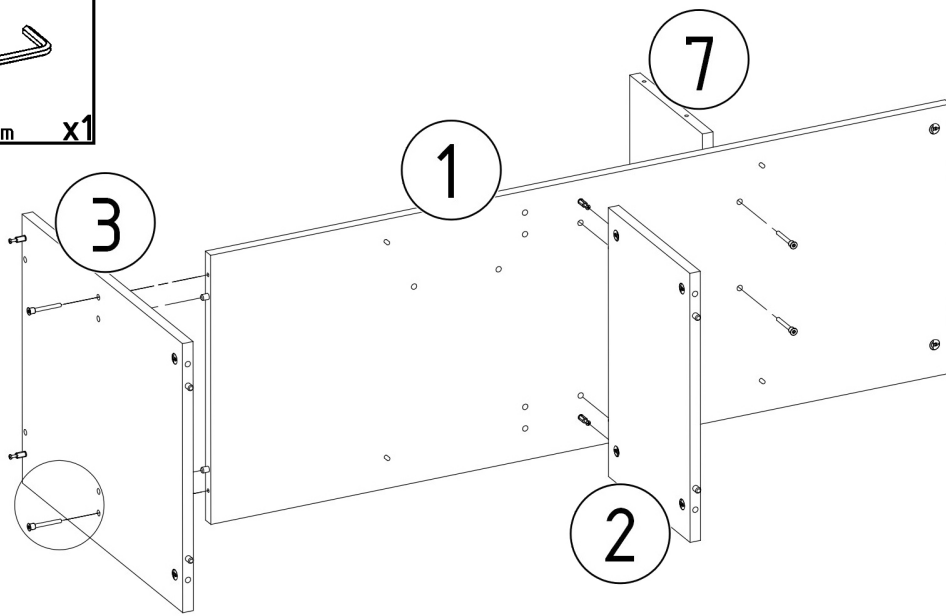
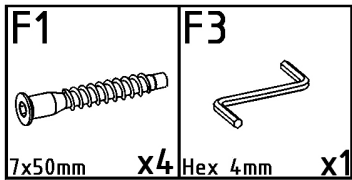


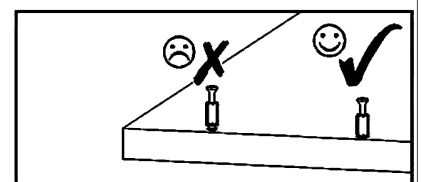
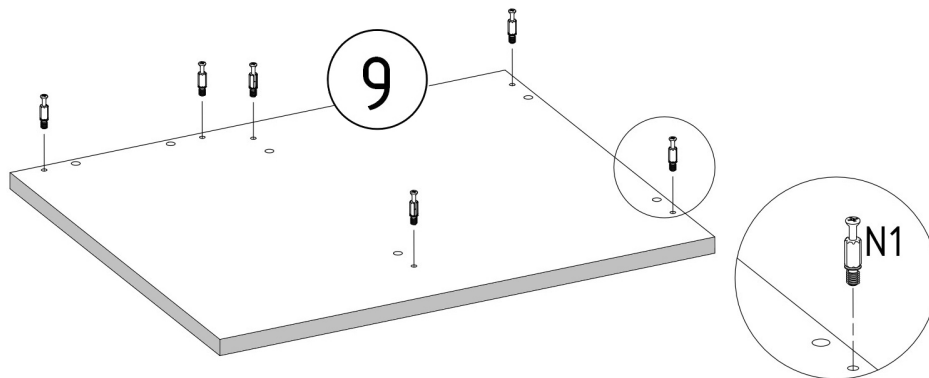
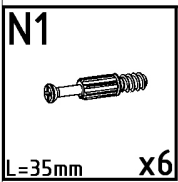
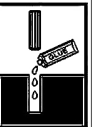
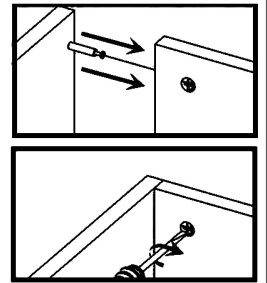
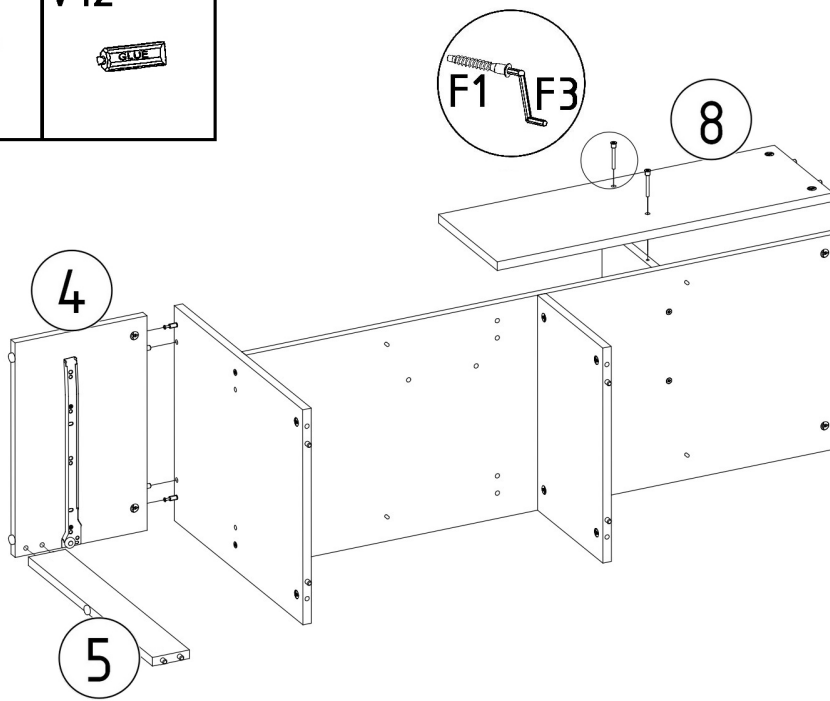
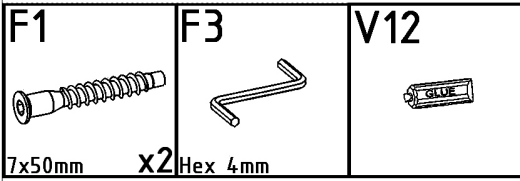
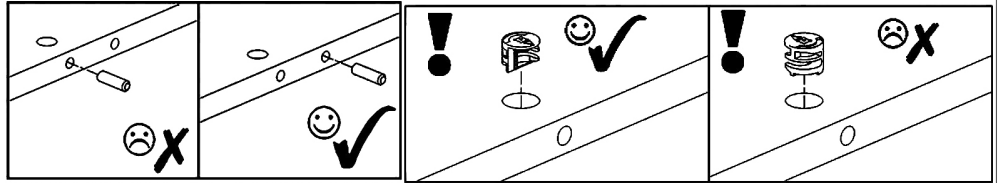
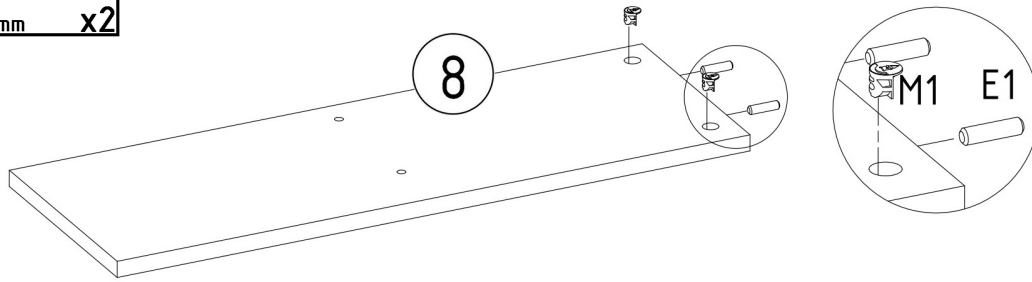
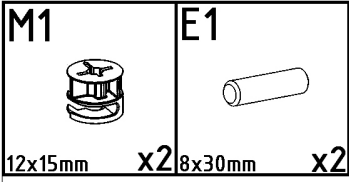
<b>M1</b>  12x15mm x4	<b>E1</b>  8x30mm x4
--	---


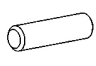


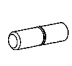




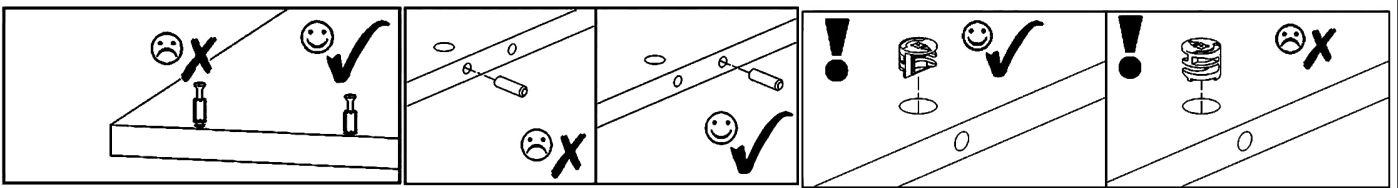
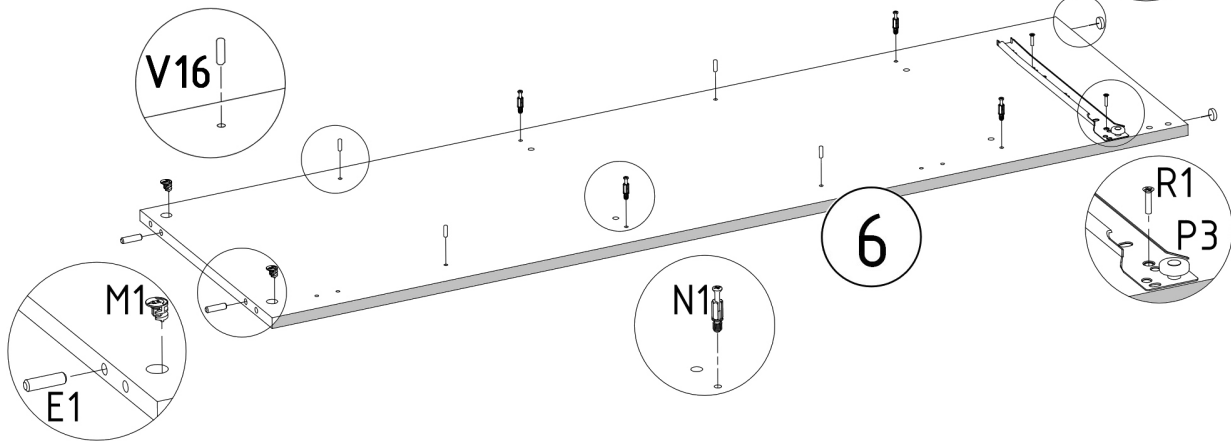
<b>M1</b>  12x15mm x2	<b>N1</b>  L=35mm x2	<b>E1</b>  8x30mm x2
--	---	---




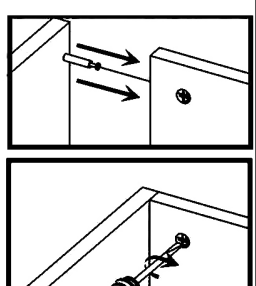
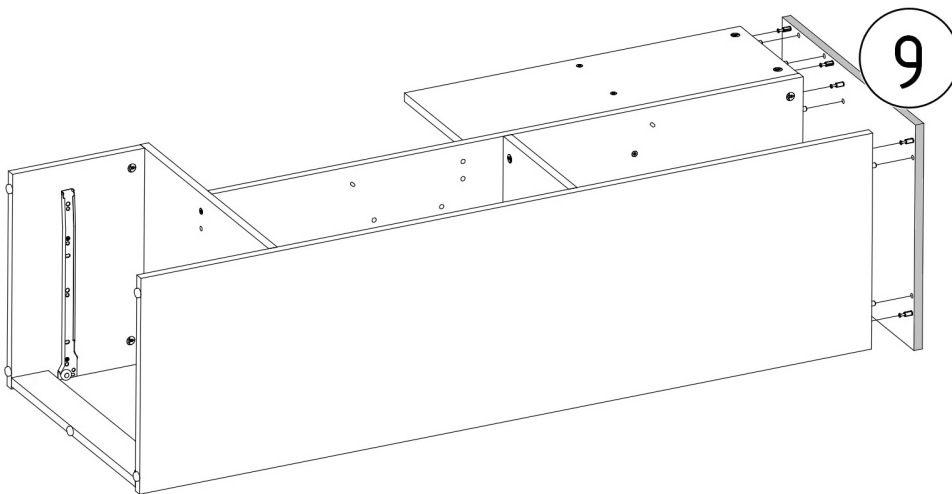
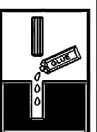
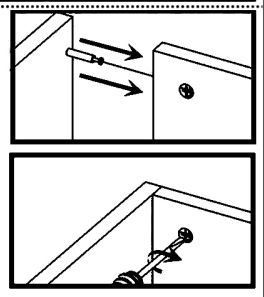
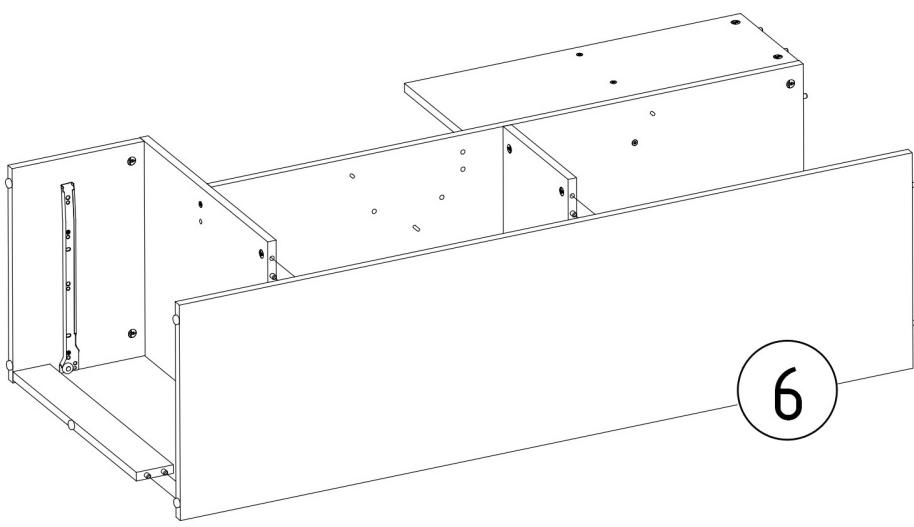


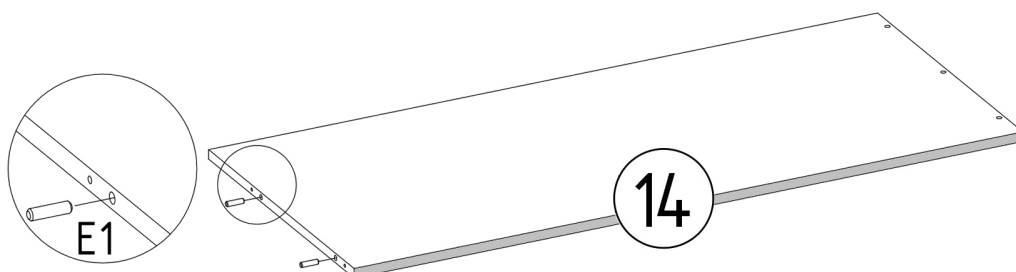
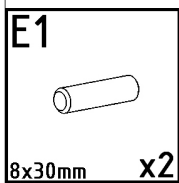
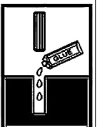
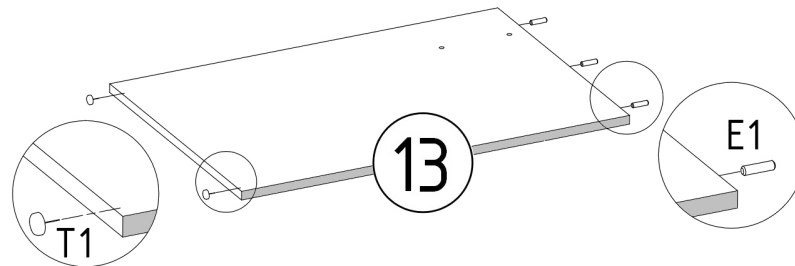
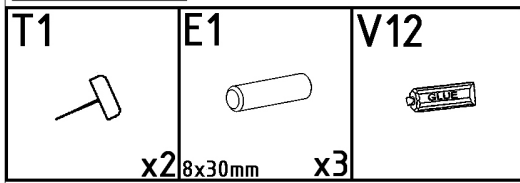
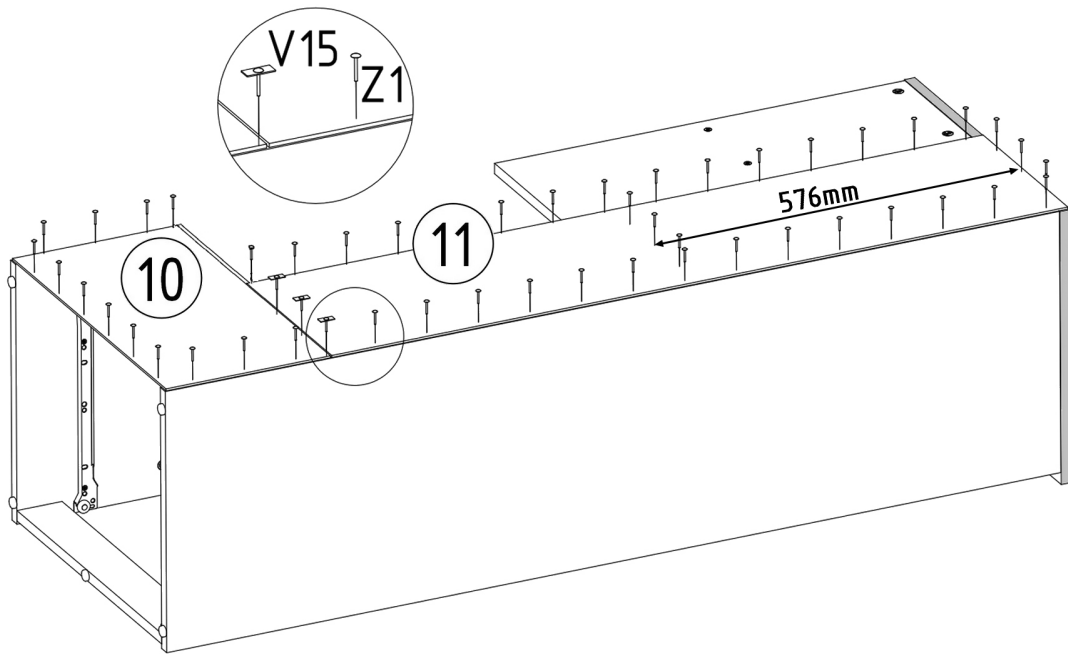
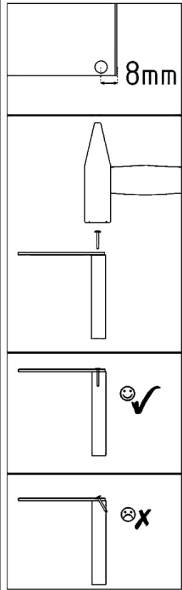
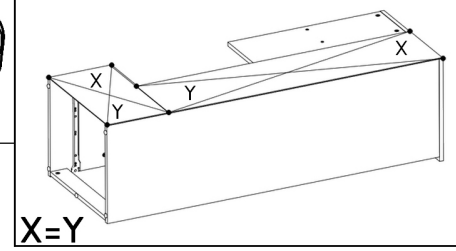
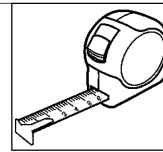
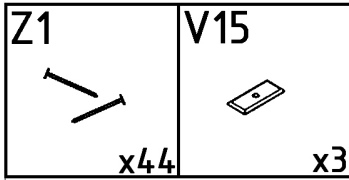


<b>M1</b>  12x15mm x2	<b>E1</b>  8x30mm x2	<b>T1</b>  x2	<b>N1</b>  L=35mm x4	<b>V16</b>  5x16mm x4	<b>P3</b>  L=350mm x4	<b>R1</b>  6x8mm x2
---	--	---	--	---	--	---

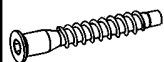


**V12**  




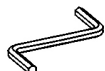


F1

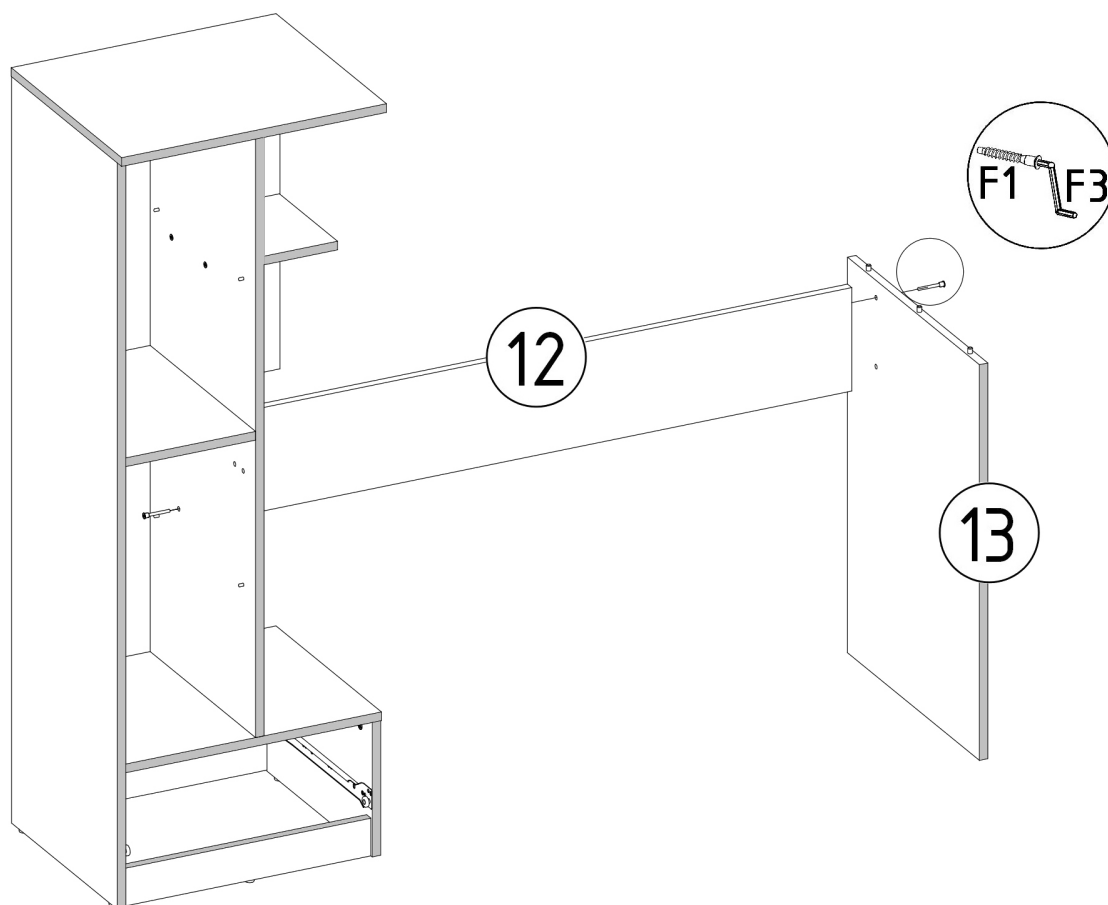


7x50mm

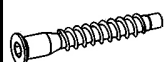
F3



X4 Hex 4mm

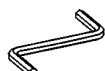


F1



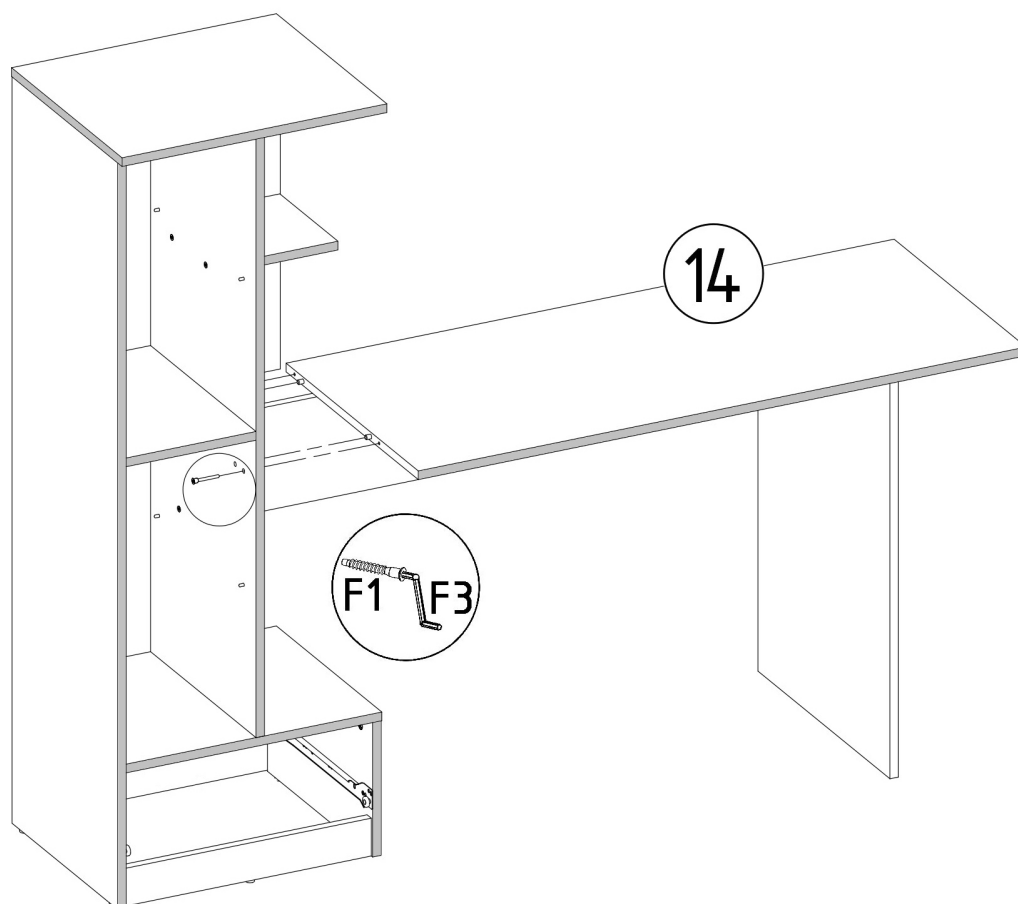
7x50mm

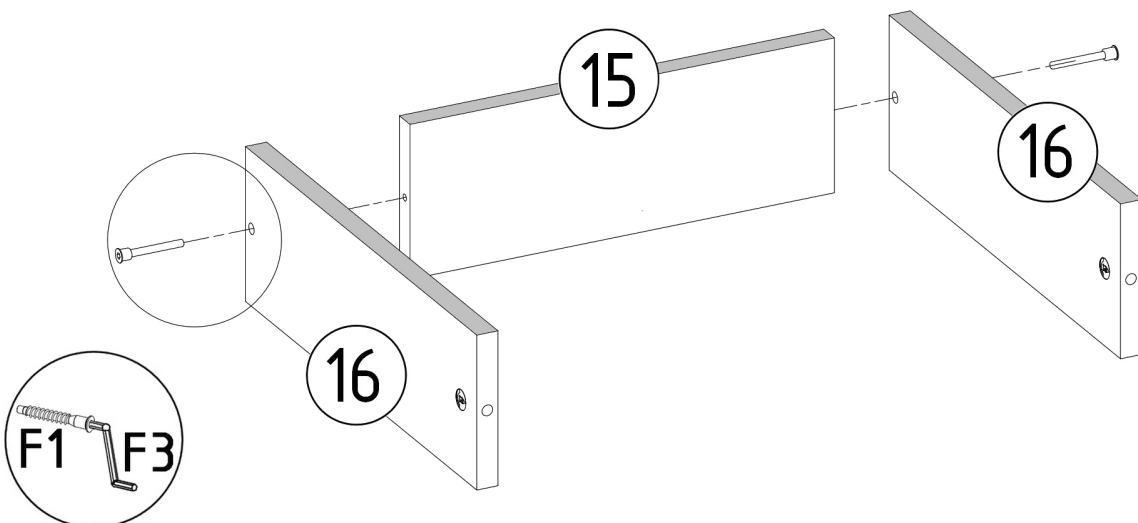
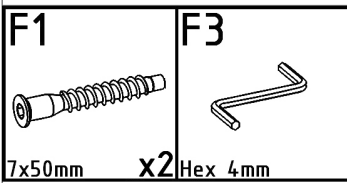
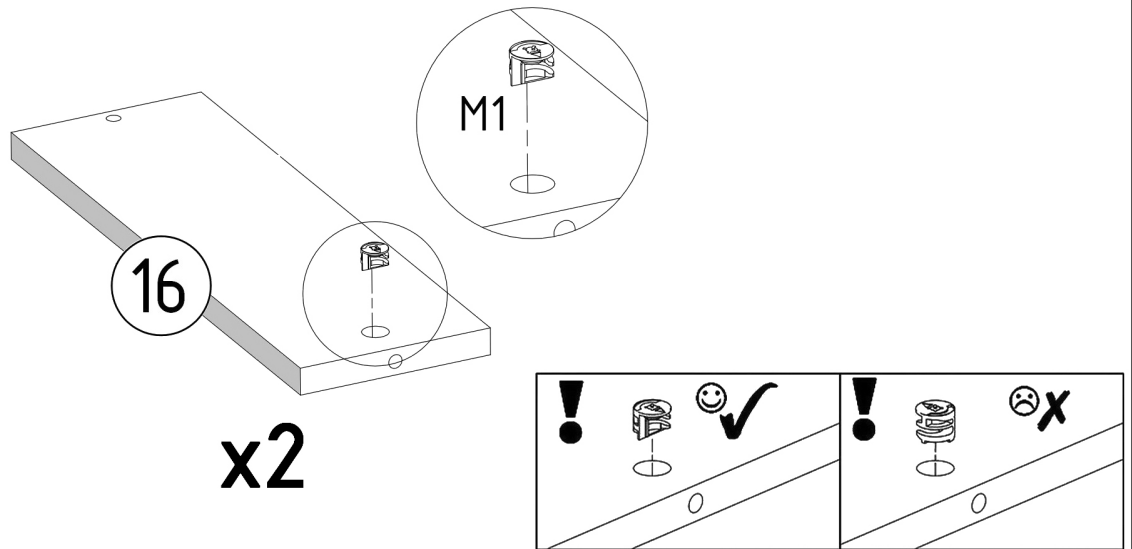
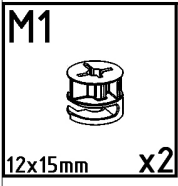
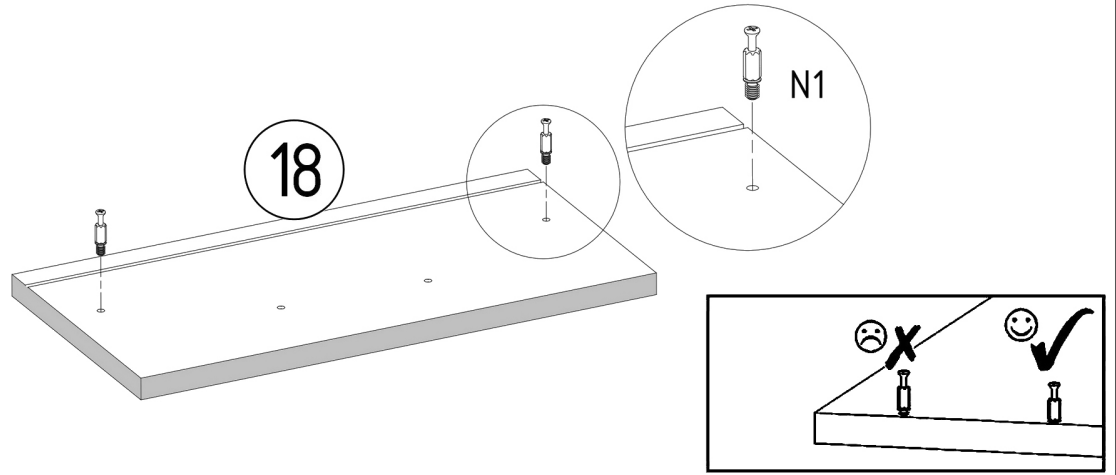
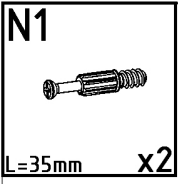
F3



X2 Hex 4mm

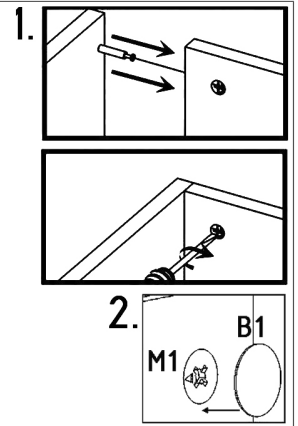
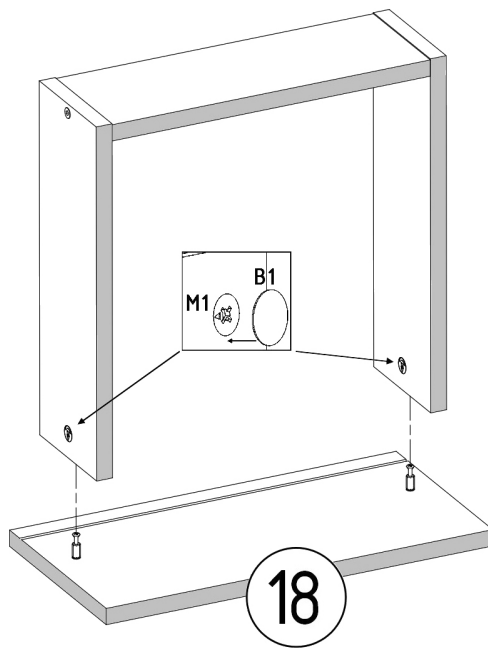
V12





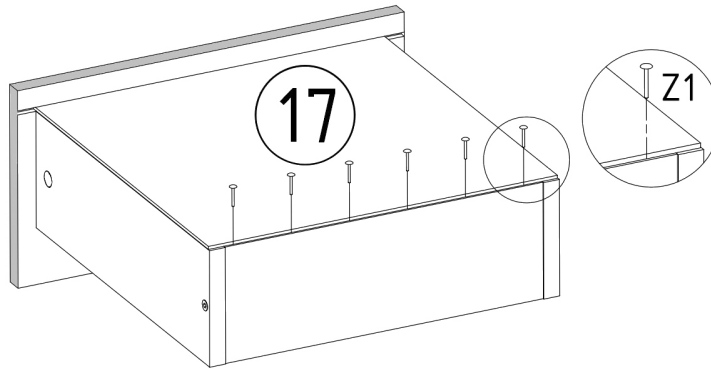
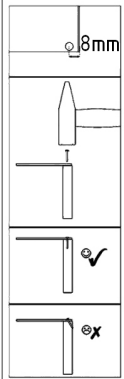
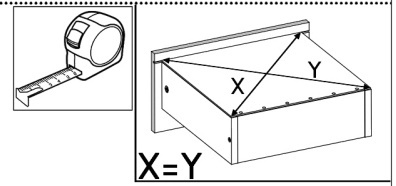
**B1**

ø17.4mm x2



**Z1**

x6

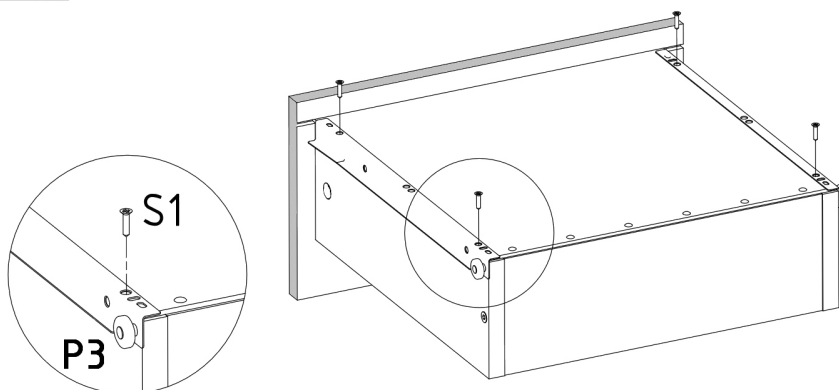




**S1**

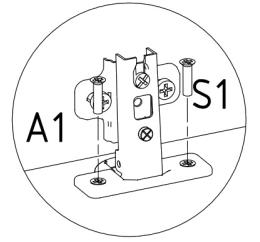
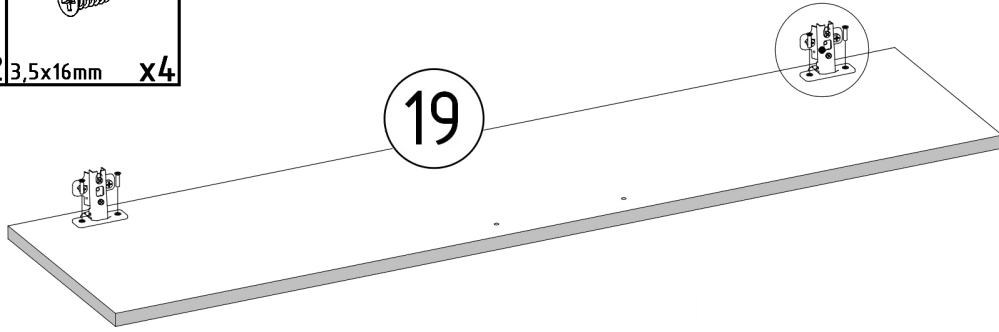
3,5x16mm x4




**P3**

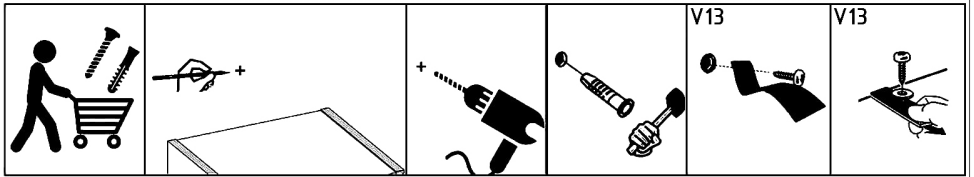
L=350mm x1



<b>A1</b>  ZP <b>x2</b>	<b>S1</b>  <b>3,5x16mm</b> <b>x4</b>
---	--



<b>U3</b>  L=190mm <b>x2</b>	<b>R7</b>  4x27mm <b>x4</b>	<b>B2</b>  ø12/4mm <b>x2</b>
---	---	--



<b>V13</b>  <b>x1</b>
---

