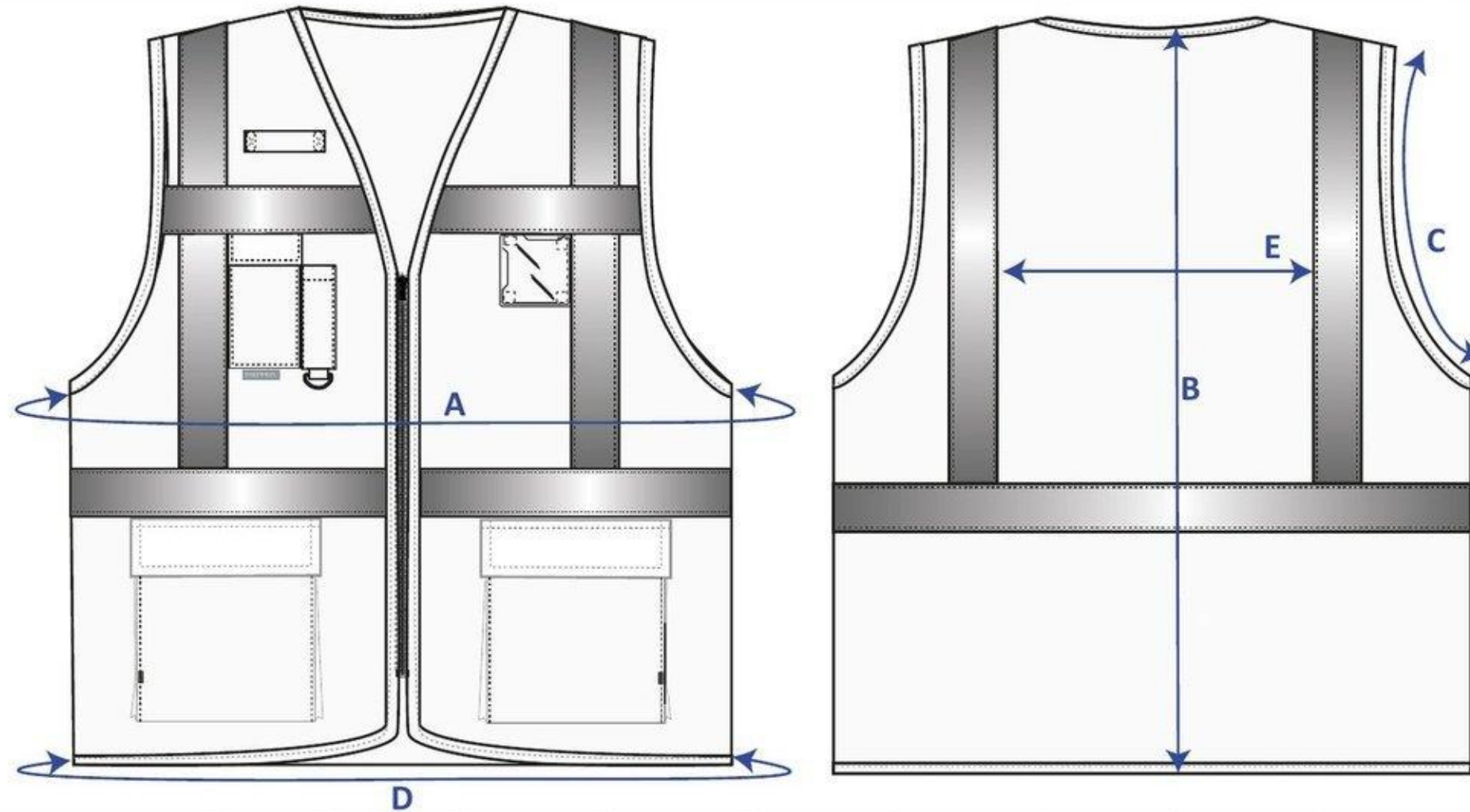


STYLE NO: C476

DESCRIPTION: Two Tone Executive Vest

FABRIC:

COLOUR:



Measurements in cm:		XS	S	M	L	XL	XXL	3XL	4XL	5XL	6XL	7XL
A	Garment chest	98.5	104	112	120	132	140	148	156	168	180	192
B	Centre back length	76	76	76	76	76	76	76	76	76	76	76
C	Armhole	74	75	76	77	78	79	80	81	82.5	84	85.5
D	Hem	98.5	104	112	120	132	140	148	156	168	180	192
E	Distance between vertical bands of reflective tape	27	29	31	33	35	37	39	40.5	42	44	46