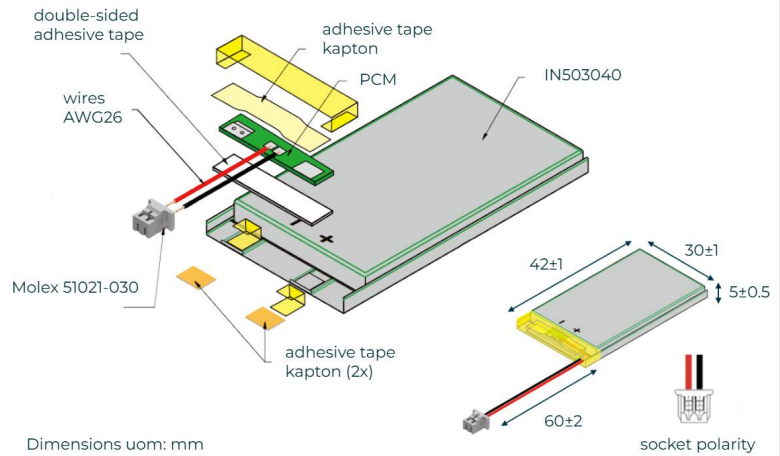


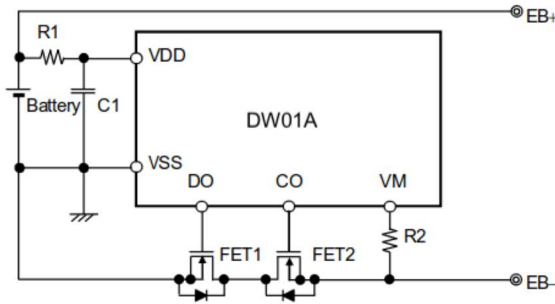
## Specifications

ITEM	VALUE	REMARK
<b>Symbol:</b>	IN503040	
<b>Nominal Capacity:</b>	600mAh	at 0.5C2A
<b>Watt-hour Rating:</b>	2.22Wh	
<b>Nominal Voltage:</b>	3.7V	
<b>Energy Density (volumetric):</b>	352Wh/l	
<b>Energy Density (gravimetric):</b>	183Wh/kg	
<b>Internal Impedance:</b>	< 174mΩ	AC 1kHz 4.2V
<b>Dimensions:</b>	5x30x42mm	
<b>Weight:</b>	~12.1g	

## Dimensions



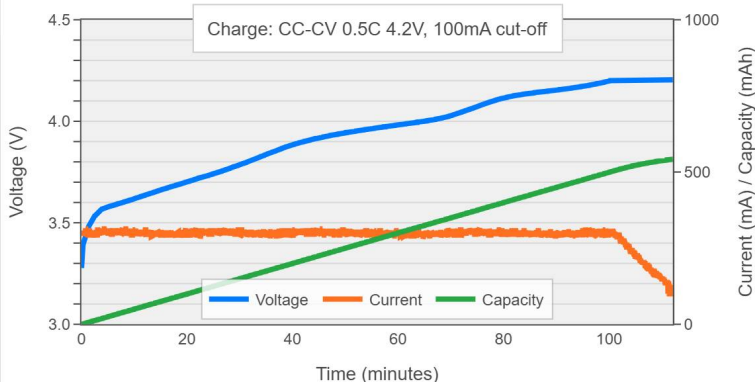
## PCM Specification: Circuit Diagram and Electrical Characteristics



ITEM	VALUE
<b>Supply Current:</b>	3.0μA
<b>Overcharge Protection Voltage:</b>	4.3V
<b>Overcharge Release Voltage:</b>	4.1V
<b>Overdischarge Protection Voltage:</b>	2.4V
<b>Overdischarge Release Voltage:</b>	3.0V
<b>Overcurrent Protection Voltage:</b>	150mV
<b>Short Current Protection Voltage:</b>	1.2V

## Charge Characteristic

ITEM	VALUE
<b>Standard Charging Method:</b>	0.5C CC charge to 4.2V, then CV till charge current declines to <0.02C
<b>Standard Charging Current:</b>	0.5C 300mA
<b>Max Charging Current:</b>	1.0C 600mA
<b>Standard Charging Time:</b>	2.5 ~ 3.5h
<b>Fast Charging Time:</b>	1.5 ~ 2.5h
<b>Charge End Voltage:</b>	4.2V
<b>Charge Temperature</b>	0°C ~ +40°C



## Discharge Characteristic

ITEM	VALUE
<b>Standard Discharging Method:</b>	0.5C CC discharge to 3.0V
<b>Max Discharging Current:</b>	1.0C 600mA
<b>Discharge Cut-off Voltage:</b>	3.0V
<b>Discharge Temperature</b>	-20°C ~ +60°C

