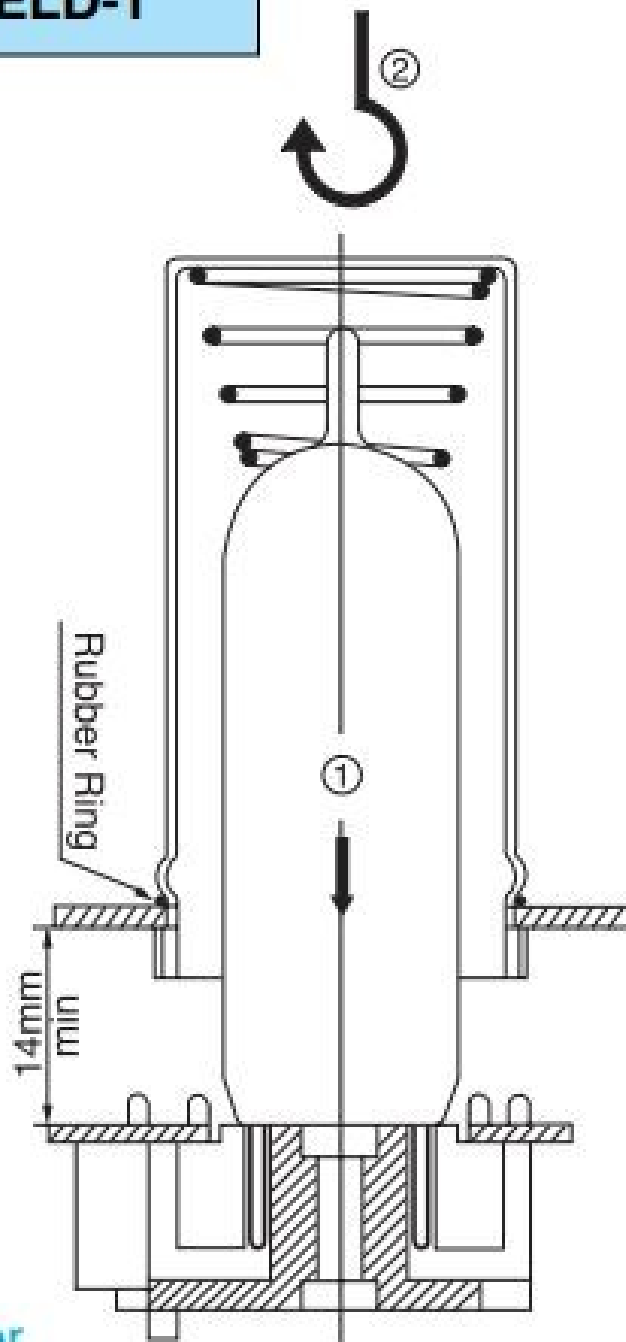


## TUBE SHIELD-1



### Progress order

1. Insert vacuum tube into the socket
2. Cap and push the tube shield-1 to the bottom and turn right till stop