

1 X1



2 X2



3 X2



4 X1



A X6



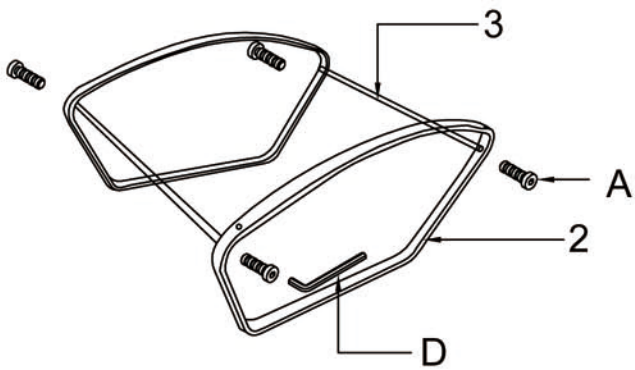
B X6



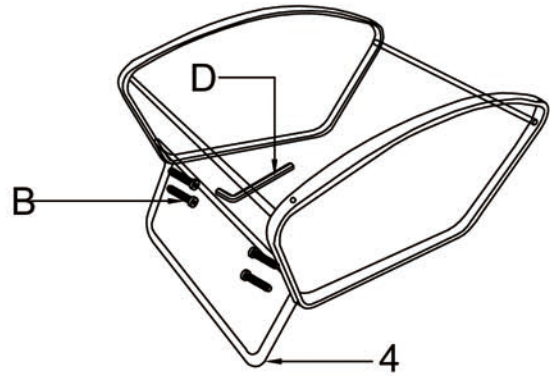
D X1



1



2



3

