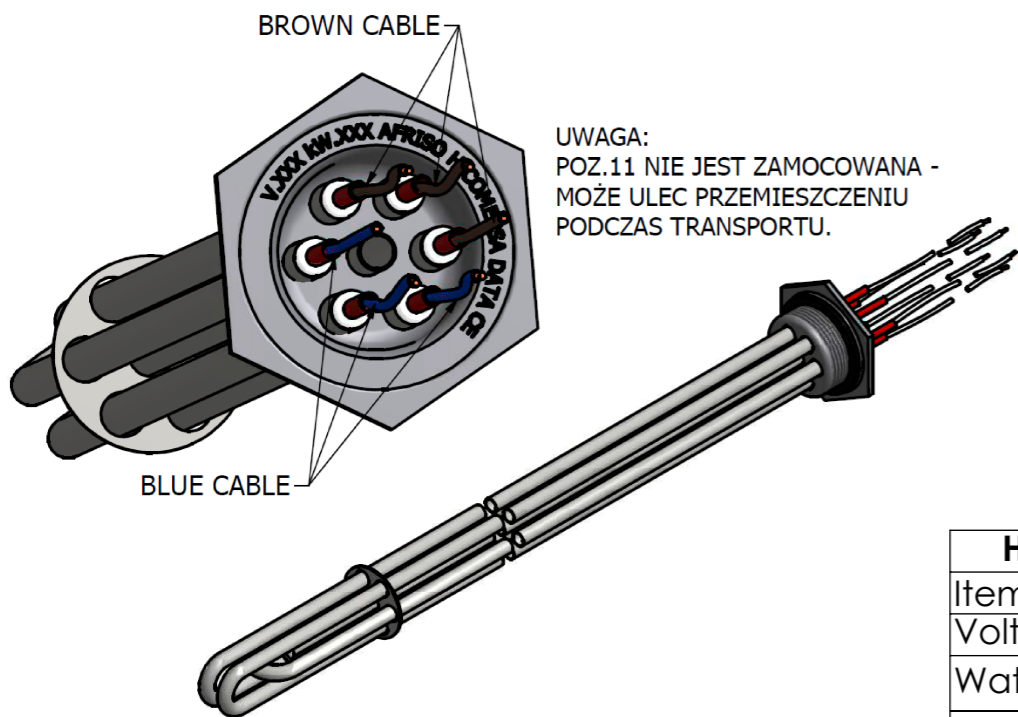


La scheda tecnica allegata deve essere considerata come parte di questo disegno
Included technical data sheet have to be considered as a part of this drawing



Pos	Descrizione	Q.ta	Codice	Materiale	Note
11	TERMORESTR. GLASS FIBER H IN SILICONE Øi 6 10.01.078.00.1 GLASS FIBER 4 L=100 UL	6	10.01.078.00.1	GLASS FIBER	
10	SEPARATORE PER 3 EL. +PT	1	08.08.036.00.1	AISI 304 - 1.4301	ACCESSORIES
9	GUARN. PIATTA IN EPDM INT 45.0	1	09.02.033.01.1	EPDM	
8	CABLAGGIO SILICONE SEZ. 1.5 L=1000 BLUE	1	11.01.215.00.1	RAME	
7	CABLAGGIO SILICONE SEZ. 1.5 L=1000 BROWN	1	11.01.214.00.1	RAME	
6	PORTA TERMOST. IN AISI 304 8x0.5 L=490	1	04.50.090.00.1	AISI 304	
4	PERLINA ISOL. IN ALLUMINA Ø 8	6	10.01.039.00.1	ALLUMINA	
3	TAPPO PER BRAS. 1 1/2" G MARCATO	1	07.06.046.02.2	AISI 304	
2	ELEMENTO AD U V.230 W.3000	2	02386A2	AISI 321/AISI 304	
1	ELEMENTO AD U V.230 W.3000	1	02386A1	AISI 321/AISI 304	

Heating Element Details	
Item Nr.	02386A1/A2
Voltage (V)	230
Wattage (W) ^{+5% -10%}	3000
Ohm Value (cold)	Max 19,3 min 16,5
W. Density (W/cm ²)	11,8/11,2
Sheath Material	AISI 321
Sheath Diameter	Ø 8,4
Finish	POLISHED

Certifications		Conditions and Limits of Use		
Model	Standards	Max Sheath Temp. (°C)	Max T (°C) at Sealing	Other
CE	EN 60355-1	180	140	

Rev.	Kod / Code	Kod obcy / External code	Ogólna tolerancja / General tolerance ISO 2768-m						
0	02386F1	-	0,5-6	±0.1	±0.2	±0.3	±0.5	±0.8	±1.2
Nazwa / Title			Data / Date			Skala / Scale			
H.E. IMMERSION IN WATER V.230 W.9000			26.05.2023			-			
Material / Material			Masa / Weight			Zatwierdzony przez / Approved by			
-			-			Narysowany przez / Drawn by			
						D_Now			



Unauthorized duplication, distribution, use and transfer to other persons of this document is prohibited.