

Type: **M22-DL-G-X1**

Article No.: **216938**

Sales text **illum. push-butt., flush, green, inscript.**



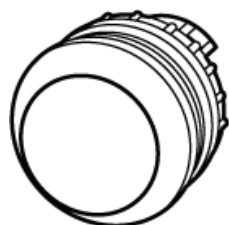
Engineering

Front ring gold-plated, [274150](#)

Flush, stay-put

Ordering information

Colour			
Colour			Green
Design			Flush
Front ring			Front ring: titanium
Function			Spring-return



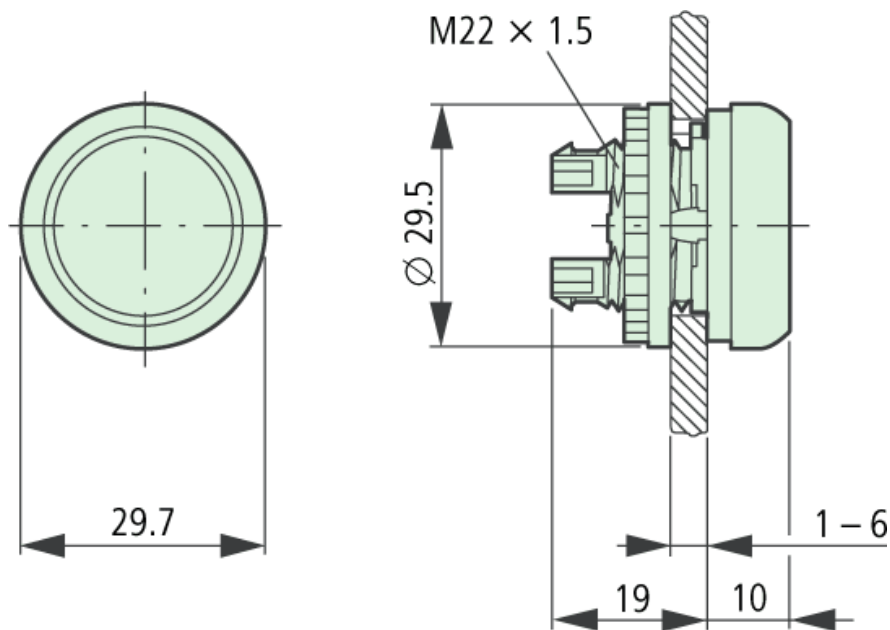
Colour



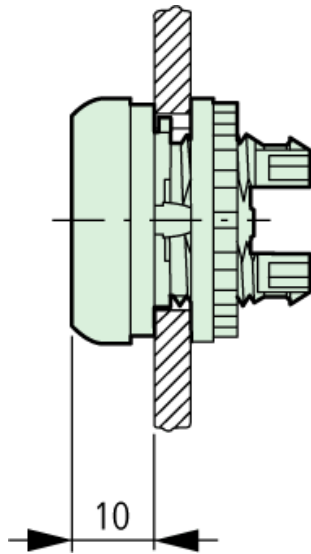
General

Standards			IEC/EN 60947 VDE 0660
Climatic proofing			Damp heat, constant, to IEC 60068-2-78 Damp heat, cyclic, to IEC 60068-2-30
Ambient temperature			
Open		°C	-25...70
Mounting position			As required
Mechanical shock resistance, shock duration 11 ms		g	> 30

Dimensions



Dimensions



Moeller GmbH, Hein-Moeller-Str. 7-11, D-53115 Bonn
E-Mail: catalog@moeller.net, Internet: www.moeller.net, <http://catalog.moeller.net>
HPL-C2007G V2.1 © 2007 by Moeller GmbH