

Type: **M22-LED-W**  
 Article No.: **216557**  
 Sales text **LED element,front,white**



Engineering

Cage Clamp is a registered trademark of Wago Kontakttechnik GmbH/Minden, Germany

Ordering information			
Connection technique			Screw terminals
Description			Front fixing
Rated operational voltage	$U_e$	V	12 – 30 V AC/DC
Rated operational current	$I_e$	mA	8 – 15
Power consumption	$P_{max.}$	W	0.26 W at 24 V
Lifespan to EN 60064 at $t_a = +25\text{ °C}$	$t_{mean}$ (AC)	h	100000
Colour			
Colour			White

**Colour**



**Notes concerning the product group**

For pushbutton actuators, indicator lights, illuminated pushbuttons and illuminated selector switch actuators, the following applies:

M22...-R only in combination with M22-LED...-R

M22...-G only in combination with M22-LED...-G

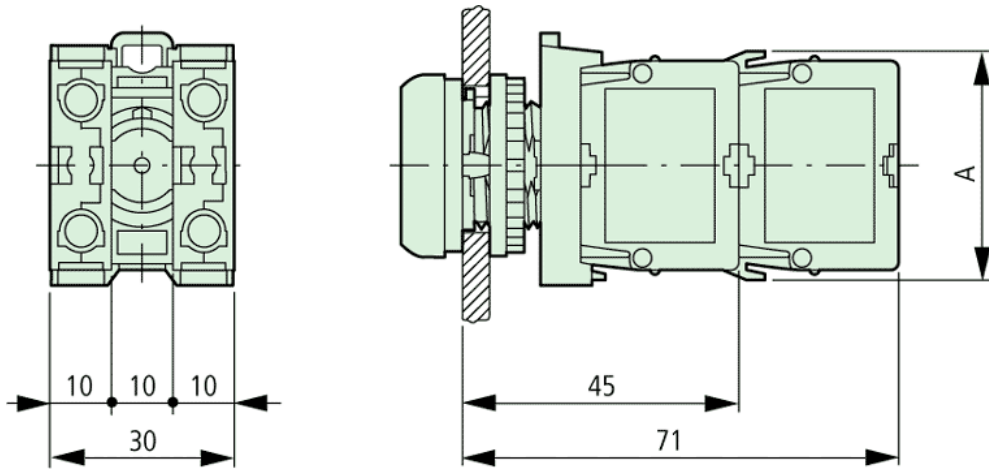
M22...-W only in combination with M22-LED...-W

M22...-Y only in combination with M22-LED...-W

M22...-B in combination with M22-LED...-W or M22-LED...-B

<b>General</b>			
Standards			IEC/EN 60947 VDE 0660
Climatic proofing			Damp heat, constant, to IEC 60068-2-78 Damp heat, cyclic, to IEC 60068-2-30
Ambient temperature			
Open		°C	-25...70
Mounting position			As required
Mechanical shock resistance according to IEC 60068-2-27 Shock duration 11 ms, half-sinusoidal		g	> 30
Terminal capacities			
Solid		mm <sup>2</sup>	0.75 – 2.5
Stranded		mm <sup>2</sup>	0.5 – 2.5
<b>Contacts</b>			
Rated impulse withstand voltage	$U_{imp}$	V AC	6000
Rated insulation voltage	$U_i$	V	500
Overtoltage category/pollution degree			III/3
<b>Notes</b>			
<b>Notes</b>			> 200 V AC/60 Hz: -25/+55 °C

## Dimensions



---

Pushbutton with M22-(C)K...  
Pushbutton with M22-(C) LED... + M22-XLED...

---

Moeller GmbH, Hein-Moeller-Str. 7-11, D-53115 Bonn  
E-Mail: [catalog@moeller.net](mailto:catalog@moeller.net), Internet: [www.moeller.net](http://www.moeller.net), <http://catalog.moeller.net>  
HPL-C2007G V2.1 © 2007 by Moeller GmbH