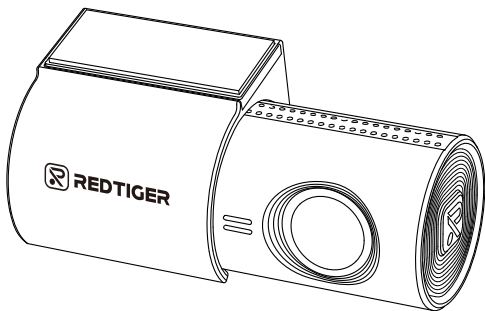




V1.0

REDTIGER

Truly Peace of Mind™



A1 User Manual

redtigercam.com

The information in this manual is subject to change without notice.

Content

Notice	2
Product Specifications	3
Package Contents	4
Appearance	5
Buttons and Functions	6
Indicator Light Status	6
Function Overview	6
Over-The-Air Updates.	8
How to Play Video on Computer	8
Installation	9
Troubleshooting	11
Customer Service Center	12

Notice

- Please read this manual carefully before operation and keep it for future reference. It will be helpful should you encounter any operational problems.
- Non-original parts or improper installation will void the manufacturer's warranty. The installation instructions do not apply to all types of vehicles and are written as guidelines to assist in installing the system.
- Consult with an experienced technician if you are not comfortable installing the device on your own.
- Please make sure to read and understand local laws and regulations regarding cameras and their use in a vehicle. Laws may vary by state.
- Do not obscure the view of the road ahead or obstruct the deployment of any airbags in the event of an accident.
- When not in use, please disconnect the car adapter from both the 12/24V DC outlet in your vehicle and the device itself.
- Only clean the device with a soft dry cloth, for tough dirt, apply some neutral detergent diluted in 5 to 6 parts water on a soft cloth.
- Note that alcohol, thinner, benzene, etc. could cause damage to the paint or coatings on the device.
- Avoid making contact with the lens as this may cause damage.
- The video recordings made by this device are intended for personal use only.
- While driving, do not adjust the controls of your device, as it may draw your attention from your surroundings.

Product Specifications

Model No	A1	Video Format	MP4
Photo Format	JPG	Input	DC 5V/1.5A
Recording Resolution	4K@30fps	Lens	F1.6
Operating Temperature	-4°F~158°F	Warranty Period	18 months
Micro SD Card	Max Support 256GB		

Note:

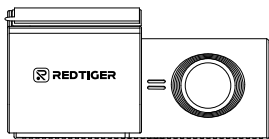
In the event of a problem during use, we will provide 18 months warranty, in addition to lifetime technical support.

Extended Warranty Service:

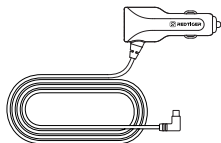
You may also receive an additional 6 months of extended warranty service by registering your device on our website.

URL: <https://www.redtigercam.com/pages/warranty-form>

Package Contents



- A1 Dash Cam



- Power Supply Cable with Car Charger



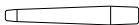
- Adhesive



- Electrostatic Sticker

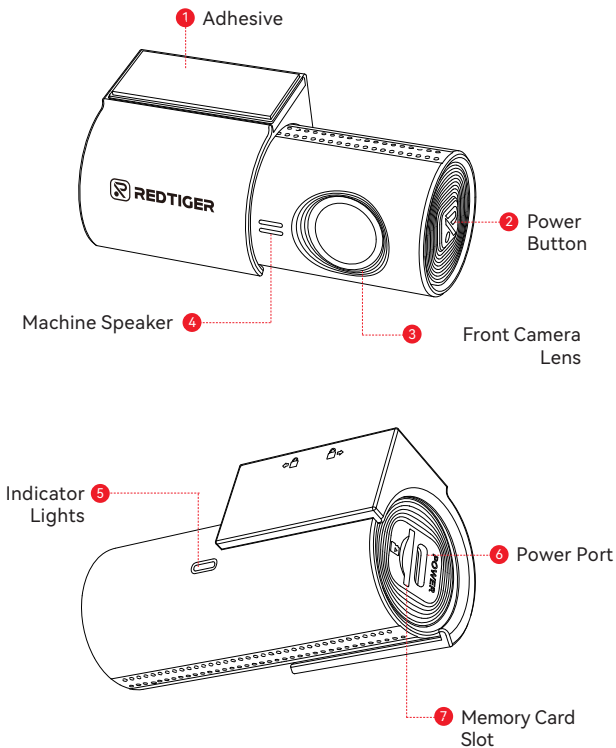


- User Manual



- Tool

Appearance



Buttons and Functions



Power Button

Recording Mode:

- Short press-to Lock
- Long press-to Restore factory settings(more than 5 seconds)
- Press more than 1s to Power on if displacement detection is enabled

Tips:

- If the A1 detects that the memory card requires formatting, it will proceed to automatically format it. (Solely upon initial insertion of a new memory card or in the event of memory card malfunction.)

Indicator Light Status

Red Light:

- Quickly flashing: Updating
- Slowly flashing: Recording
- Always on: Not recording

Function Overview

Optimize the Functions on Your Phone.

Function	Option/Description
Video Resolution	4K30fps

Function	Option/Description
Audio Recording	ON/OFF
Loop Recording	1 Minute/3 Minutes/5 Minutes
Speaker Volume	Off/Low/Medium/High
Anti Flicker	60Hz/50Hz
Time Watermark	ON/OFF
G-Sensor	Off/Low/Medium/High
Driving Fatigue Alert	Off/1 hour/2 hours/3 hours
Displacement Detection	ON/OFF
Prompt Tone	Choose Your Preferred Language
Format SD Card	Format memory card.All data will be deleted
Factory Reset	Reset All Settings

Note:

- In order to a Clean, Smooth, Comfortable using experience, we suggest you format your Memory Card once a month.
- Displacement Detection: If your car's cigarette lighter socket stays powered after the engine is off, it's recommended to enable this feature to protect your car battery

Over-The-Air Updates

Note: Please update the Redtiger Cam App to the latest version to use this function.

1. To perform an over-the-air update, disconnect your phone from the dash cam's Wi-Fi network. Connect your phone to LAN (not the dash cam's Wi-Fi) for 5 seconds, then disconnect. Reconnect to the dash cam's Wi-Fi network.
2. Once Wi-Fi connection is successful, open the Redtiger Cam App to start using it. If new software is detected, the App page will indicate the availability of an update.
3. To perform the update, click on "Upgrade Now". The Redtiger Cam App will prompt you to download the update package.
4. Connect the dash cam to send the update package. Do not power off the dash cam during the upgrade process. Once the upgrade is completed, the app will display the upgrade success message, and the dash cam will automatically restart.

How to Play Video on Computer

We recommend using REDTIGER Player as the correct video player to watch/play videos. It can also view Google Maps.

You can Download it for free on Mac or Windows from the following link: <https://www.redtigercam.com/pages/gps-player>

You can choose different playback modes in Settings > Video Playback Mode. You can set playback speed, language, map, and various other functions.

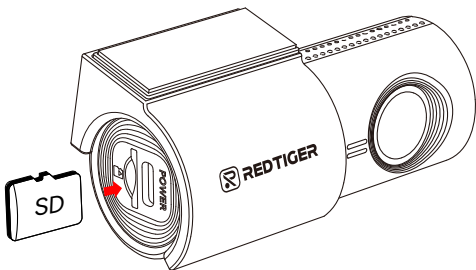
Installation

⚠ WARNING

Please make sure to connect all cameras and wires before powering on the camera screen, otherwise the camera will not work properly. Please follow the instructions below for the first-time installation of the Redtiger dash cam.

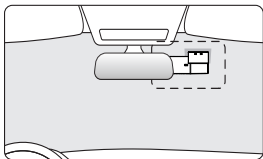
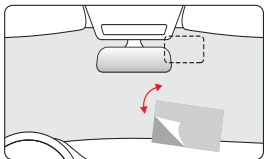
• **Insert Memory Card**

Insert the memory card into the dash cam, ensuring that it is oriented correctly so that the gold contacts are facing towards the screen of the dash cam. Push the memory card until it clicks into the slot.



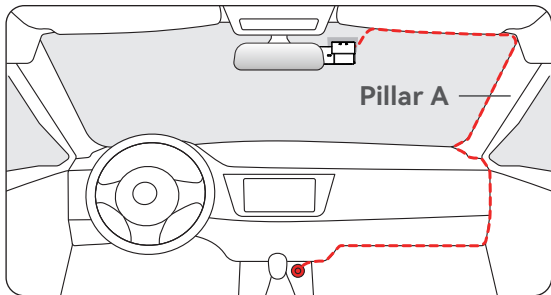
• Front camera installation

Peel off the electrostatic sticker on the cellophane and transfer it to where you want to stick it. Attach the front camera to the electrostatic sticker and press to make it firmer.



• Wire Layout In The Vehicle

- 1 The car charger is connected to the cigar socket.
- 2 Connect the other end of the car charger to the dash cam.
- 3 Use the crowbar to run the power cable along the front windshield and the roof, and hide the cable down the A-pillar, so as not to block the driver's sight and cause danger.



Troubleshooting

• Device restarts repeatedly/no boot?

1. Ensure you're using the included charger/cables.
2. Remove the memory card, camera cable, and car charger and reinstall them. Check if an issue was caused by the accessories.
3. Reset the device using the button at the bottom of the camera.
4. If the issue persists, connect the dash cam to a computer using a USB cable. If the device powers on, the issue may be caused by the car charger cable. If it does not power on while connected, there may be an issue with the dash cam itself.
5. Please go to the official website to update the firmware.
6. If it is not resolved, please contact our dedicated customer service for a replacement.

• Why can't I connect to Wi-Fi?

1. Check the working distance of Wi-Fi, about 15ft.
2. Check the SSID and password of the Wi-Fi, or whether there are other devices connected to the Wi-Fi.
3. Turn off mobile data, security software, and VPN on your phone.
4. If the issue persists, please contact customer support for assistance.

Customer Service Center

If you have any problems with the function or installation of your dash cam, please feel free to reach out to us.



Help Center



WhatsApp



For more information:

After sales: help@redtigercam.com

Business Cooperation: contact@redtigercam.com

Customer Phone Service: +1 888 966 8028 (US)

IC warning:

This device contains licence-exempt transmitter(s)/receiver(s) that comply with Innovation Science and Economic Development Canada's licence-exempt RSS(s). Operation is subject to the following two conditions:

1. this device may not cause interference and
2. this device must accept any interference, including interference that may cause undesired operation of the device.

Radiation Exposure: This equipment complies with Canada radiation exposure limits set forth for an uncontrolled environment; To maintain compliance with IC's RF Exposure guidelines, This equipment should be installed and operated with minimum distance of 20cm the radiator your body. This device and its antenna(s) must not be co-located or operation in conjunction with any other antenna or transmitter.

Déclaration de l'ISED Canada:

Cet appareil contient des tasmittre (s) / récepteur (s) sans licence / conformes à l'innovationRSS exemptes de licence de Sciences et Développement économique Canada.

L'opération est sous réserve des deux conditions suivantes :

3. cet appareil ne peut pas causer d'interférences et
4. ce dispositif doit accepter toute interférence, y compris peut provoquer le fonctionnement indésirable de l'appareil.

Exposition aux rayonnements : Cet équipement est conforme aux radiations du Canada limites d'exposition pour un environnement incontrôlé noncé d'exposition RF Pour maintenir le respect des guides d'exposition RF d'IC, cquipment doit être installé et actionné avec une distance minimale de 20cm le radiateur de votre corps. Cet appareil et ses antennes ne doivent pas être co-localisé ou en opération en conjonction avec toute autre antenne ou émetteur.

FCC Warning Statement:

Changes or modifications not expressly approved by the party responsible for compliance could void the user's authority to operate the equipment. This equipment has been tested and found to comply with the limits for a Class B digital device, pursuant to Part 15 of the FCC Rules. These

limits are designed to provide reasonable protection against harmful interference in a residential installation. This equipment generates uses and can radiate radio frequency energy and, if not installed and used in accordance with the instructions, may cause harmful interference to radio communications. However, there is no guarantee that interference will not occur in a particular installation. If this equipment does cause harmful interference to radio or television reception, which can be determined by turning the equipment off and on, the user is encouraged to try to correct the interference by one or more of the following measures:

- Reorient or relocate the receiving antenna.
- Increase the separation between the equipment and receiver.
- Connect the equipment into an outlet on a circuit different from that to which the receiver is connected.
- Consult the dealer or an experienced radio/TV technician for help.

This device complies with part 15 of the FCC Rules. Operation is subject to the following two conditions: (1) This device may not cause harmful interference, and (2) this device must accept any interference received, including interference that may cause undesired operation.

RF Exposure Statement

To maintain compliance with FCC's RF Exposure guidelines, This

equipment should be installed and operated with minimum distance of 20cm the radiator your body.



REDTIGER

Truly Peace of Mind™

Check us out here.
Product and service are the foundation of Redtiger.

Instagram: @redtiger_dashcam
Facebook: Redtiger Dash Cam



www.redtigercam.com