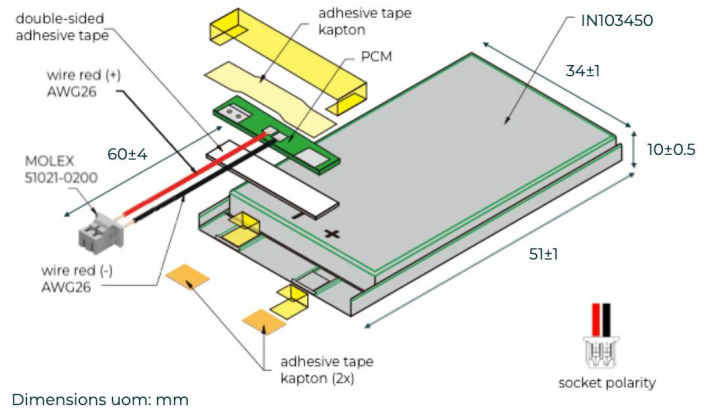


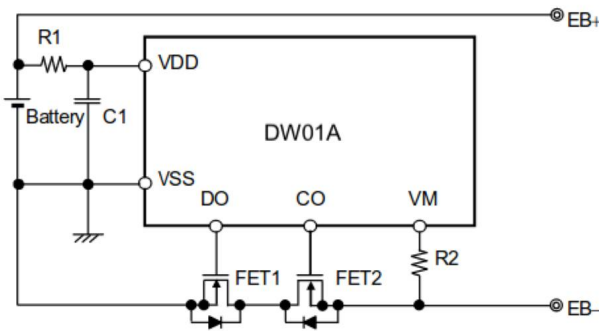
Specifications

ITEM	VALUE	REMARK
Symbol:	IN103450	
Nominal Capacity:	2000mAh	at 0.5C2A
Watt-hour Rating:	7.4Wh	
Nominal Voltage:	3.7V	
Energy Density (volumetric):	427Wh/l	
Energy Density (gravimetric):	218Wh/kg	
Internal Impedance:	< 127mΩ	AC 1kHz 4.2V
Weight:	~34.0g	

Dimensions



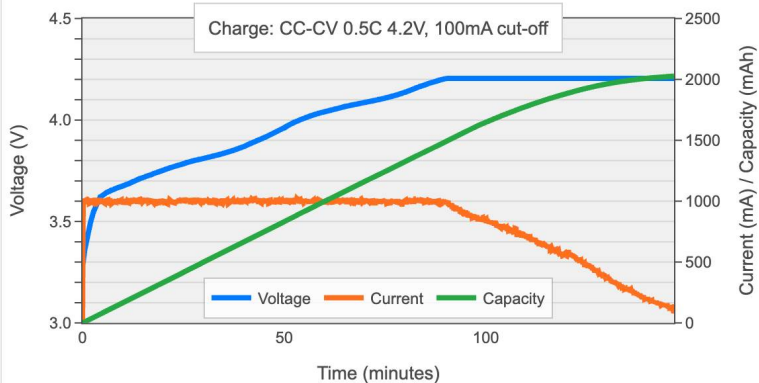
PCM Specification: Circuit Diagram and Electrical Characteristics



ITEM	VALUE
Supply Current:	3.0μA
Overcharge Protection Voltage:	4.3V
Overcharge Release Voltage:	4.1V
Overdischarge Protection Voltage:	2.4V
Overdischarge Release Voltage:	3.0V
Overcurrent Protection Voltage:	150mV
Short Current Protection Voltage:	1.2V

Charge Characteristic

ITEM	VALUE
Standard Charging Method:	0.5C CC charge to 4.2V, then CV till charge current declines to <0.02C
Standard Charging Current:	0.5C 1000mA
Max Charging Current:	1.0C 2000mA
Standard Charging Time:	2.5 ~ 3.5h
Fast Charging Time:	1.5 ~ 2.5h
Charge End Voltage:	4.2V
Charge Temperature	0°C~+40°C



Discharge Characteristic

ITEM	VALUE
Standard Discharging Method:	0.5C CC discharge to 3.0V
Max Discharging Current:	1.0C 2000mA
Discharge Cut-off Voltage:	3.0V
Discharge Temperature	-20°C~+60°C

