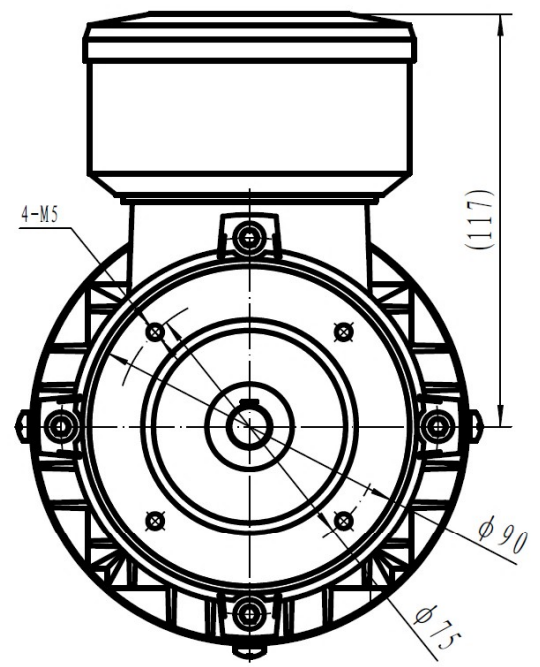


($\phi 130$)



MY 63 2-4 B14