

Key-operated button, 2 positions

Part no. **M22-WRS**

Article no. **216887**



Individual lock mechanisms, not suitable for master key systems, with one key

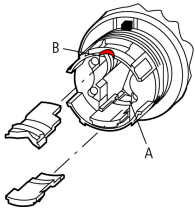
Stay-put/spring-return function and key withdrawability

can be changed using M22-XC-... coding adapters

Delivery programme

Range			RMQ-Titan (drilling dimensions 22.5 mm)
Basic function			Key-operated buttons
Description			Two positions Lock mechanism MS1 Not suitable for master key systems With 1 key Stay-put/spring-return function, can be changed with coding parts M22-XC-Y Key withdraw convertible with coding adapters M22-XC-...
Front ring			Front ring: titanium
Function			maintained right: 60°
Key withdrawable in position			0 I

Notes For conversion between stay-put and spring-return functions and for changing the key withdrawability for selector switch actuators with 2 positions



	O	I
	✓	✓
∠ 60°	✓	✗
∠ 50°	✓	✗
∠ 40°	✓	✗

✓ = Key withdrawable

✗ = Key not withdrawable

Coding adapters



M22-XC-Y, →#216407



M22-XC-R, →#216406



Approbationen

Product Standards
UL File No.
UL CCN
CSA File No.
CSA Class No.
NA Certification
Degree of Protection

IEC/EN 60947-5; UL 508; CSA-C22.2 No. 14-05; CSA-C22.2 No. 94-91; CE marking
E29184
NKCR
012528
3211-03
UL Listed, CSA certified
UL/CSA Type 3R, 4X, 12, 13

General

Standards			IEC/EN 60947 VDE 0660
Lifespan, mechanical	Operations	x 10 ⁶	> 0.1
Operating frequency	Operations/h		100
Operating torque		Nm	0.5
Protection type			IP66
Climatic proofing			Damp heat, constant to IEC 60068-2-78

Ambient temperature		°C	Damp heat, cyclic to IEC 60068-2-30
Open		°C	- 25 - + 70
Mounting position			As required
Mechanical shock resistance		g	30 Shock duration 11 ms Sinusoidal according to IEC 60068-2-27

Technische Daten nach ETIM 4.0

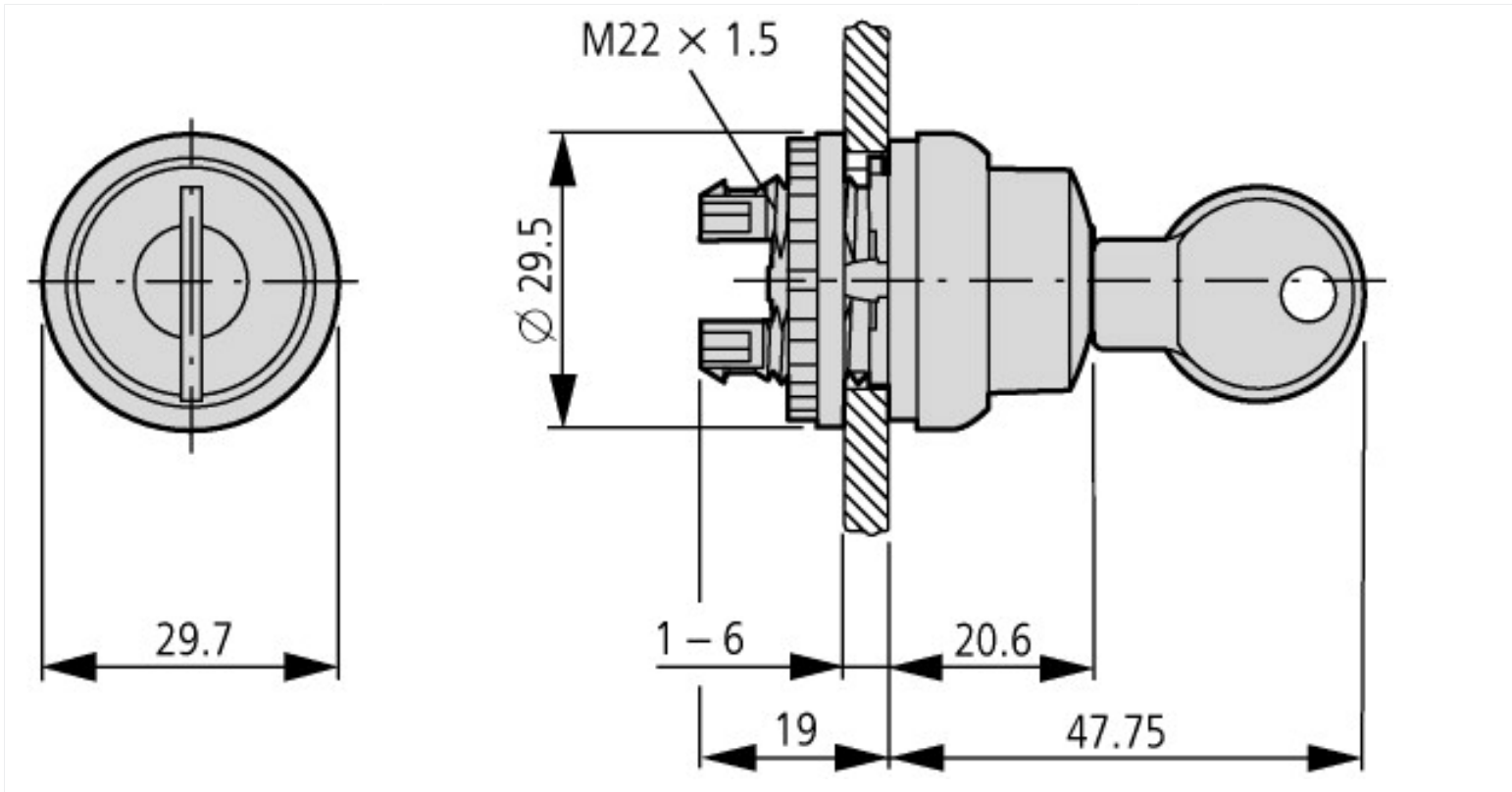
Color bezel			Chrome
Suitable for illumination			No
Lens design			Round
Protection type (IP), at front			IP66
Material front ring			Insulated material
Momentary			No
Number of switch positions			2
Color actuator			black
Hole diameter		mm	22
With bezel			YES
Width of opening		mm	22
Height meter opening		mm	6

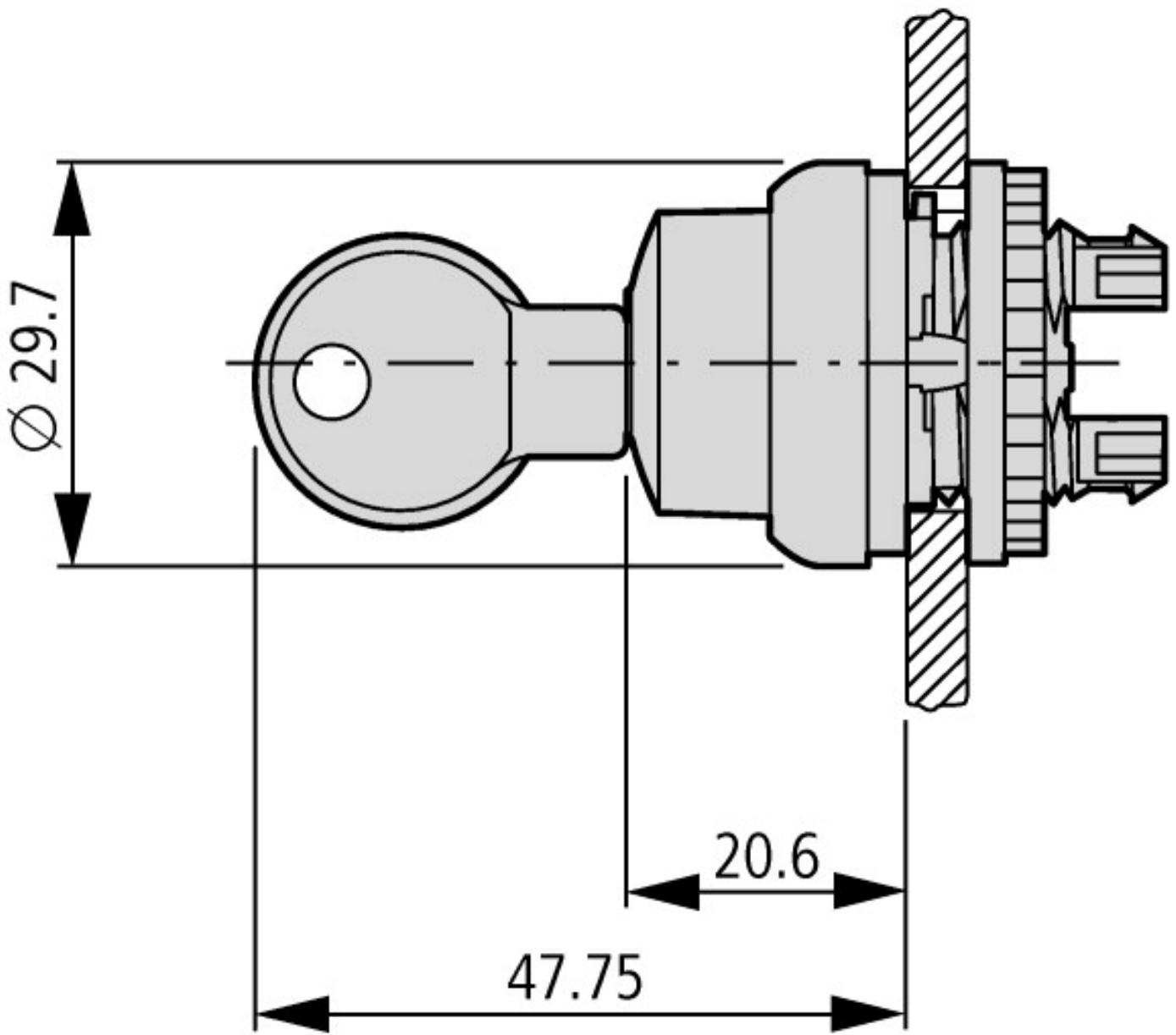
CAD-Daten

Product standards CAD data:

<http://eaton-moeller.partcommunity.com>

Dimensions





Individual lock mechanism

Individual lock mechanism

Additional product information (links)

AWA1160-1745 (IL04716002Z) The RMQ-Titan system

ftp://ftp.moeller.net/DOCUMENTATION/AWA_INSTRUCTIONS/17450510.pdf