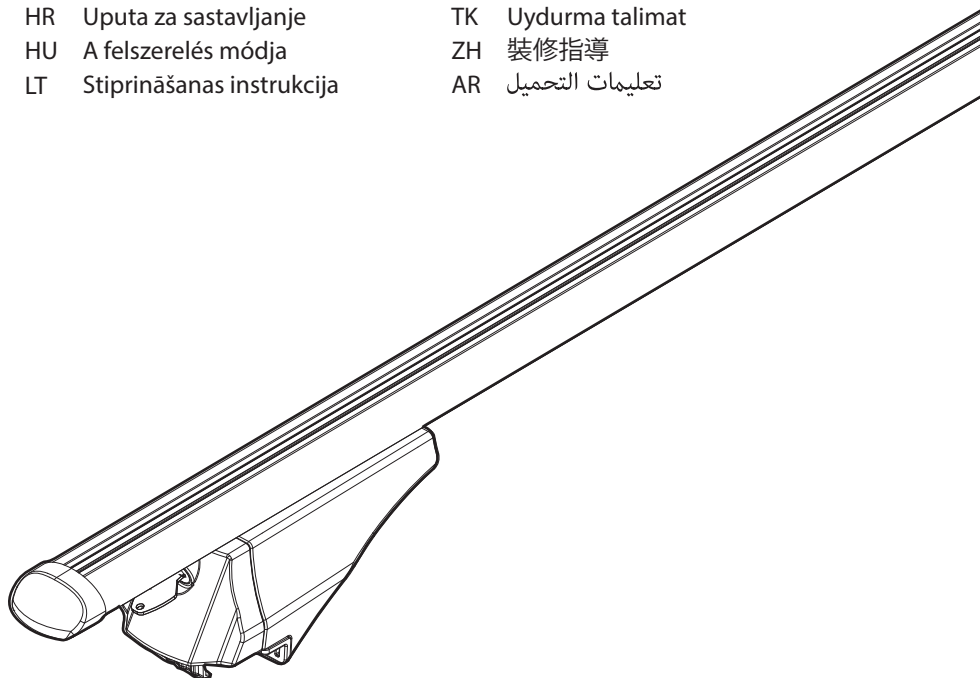


SMART BAR SYSTEM







SMART BAR SYSTEM XL

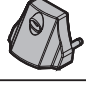







| | | | |
|----|---------------------------|----|----------------------------|
| IT | Istruzioni di montaggio | LV | Pritvirtinimo instrukcijas |
| EN | Fitting instructions | NL | Instrukcja montażu |
| DE | Montageanleitung | NO | Monteringsveiledning |
| FR | Instructions de montage | PL | Instrukcja montażu |
| ES | Instrucciones de montaje | PT | Instruções de Montagem |
| CS | Návod na montáž | RO | Instrucțiuni de montare |
| DA | Monteringsvejledning | RU | Инструкции по установке |
| EL | Οδηγίες συναρμολόγησης | SK | Návod na montáž |
| ET | Paigaldusjuhend | SL | Navodila za pritrjevanje |
| FI | Asennusohje | SV | Monteringsanvisning |
| HR | Uputa za sastavljanje | TK | Uydurma talimat |
| HU | A felszerelés módja | ZH | 裝修指導 |
| LT | Stiprināšanas instrukcija | AR | تعليمات التجميع |



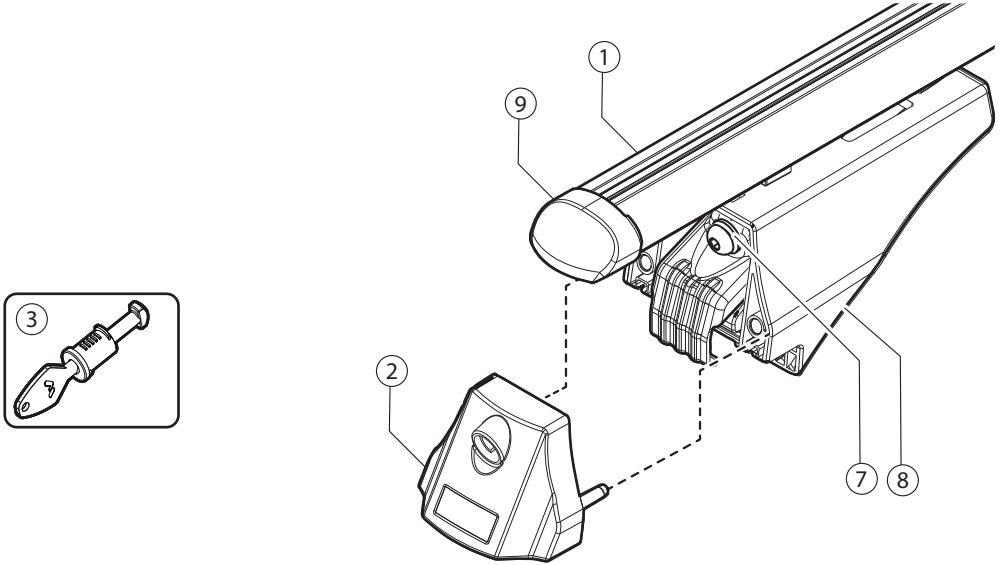
SMART BAR SYSTEM
SMART BAR SYSTEM XL



| N. | [IT]Componenti (Inclusi) [EN]Components (Included) [FR]Composants (Comprises) [DE]Die Komponenten (im Lieferumfang enthalten) [ES]Componentes (Incluido) | TIGER / AVIA SILVER |
|----|--|------------------------|
| | | Q. |
| 1 |  | 2 |
| 2 |  | 4 |
| 3 |  | 4 |
| 4 |  | 2 |
| 5 |  ∅5mm - 0,2" | 1 |
| 6 |  75 mm - 3,1" | 4 |

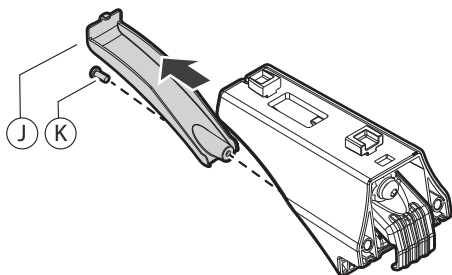
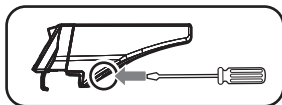
| N. | [IT]Ricambi (A Richiesta) [EN]Spare Parts (Made to order) [FR]Pièces de rechange (Sur commande) [DE]E Teile (auf Anfrage) [ES]Piezas de recambio (Previa solicitud) | Q. | Codice-Code-Código |
|----|---|----|-----------------------|
| | | | |
| 2 |  | 1 | MOCSRC000000000000020 |
| 3 |  | 4 | MOCSRC000000000000021 |
| 3a |  XXXX | 2 | MOCSRC000000000000022 |
| 4 |  | 2 | MOCSRC000000000000023 |
| 5 |  ∅5mm - 0,2" | 1 | MOCSRC000000000000024 |
| 6 |  75 mm - 3,1" | 4 | MOCSRC000000000000025 |
| 7 |  90 mm - 3,5" | 4 | |
| 8 |  | 4 | MOCSRC000000000000026 |

SMART BAR SYSTEM / SMART BAR SYSTEM XL

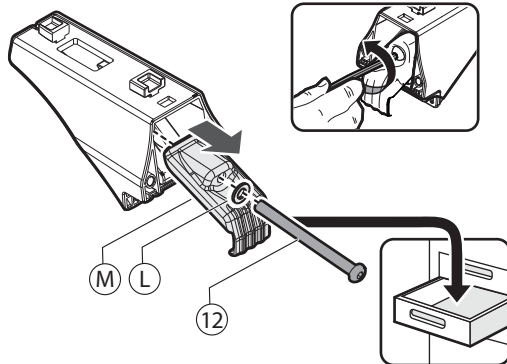




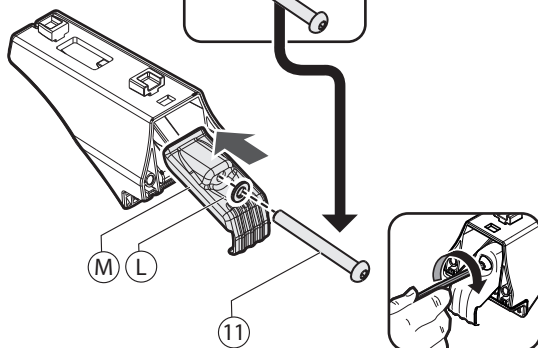
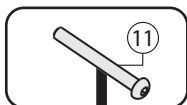
1



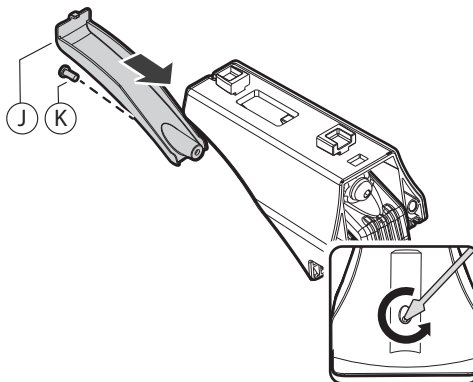
2



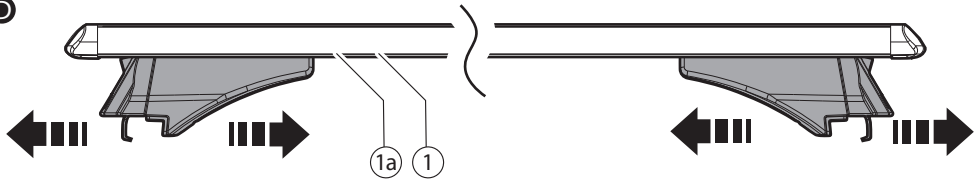
3



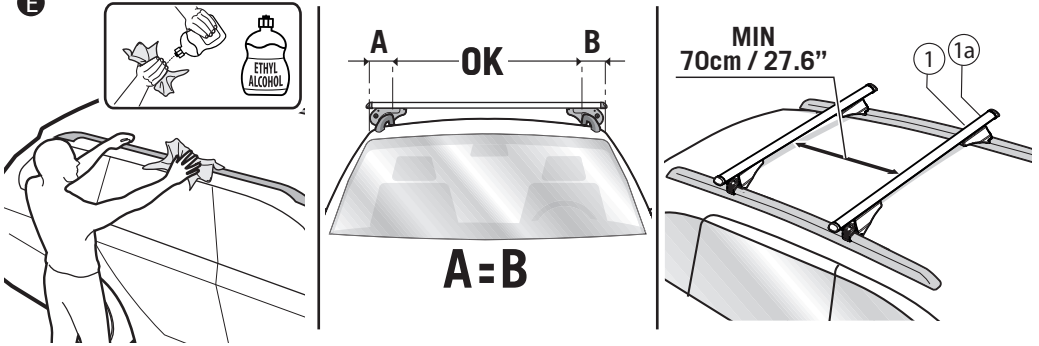
4



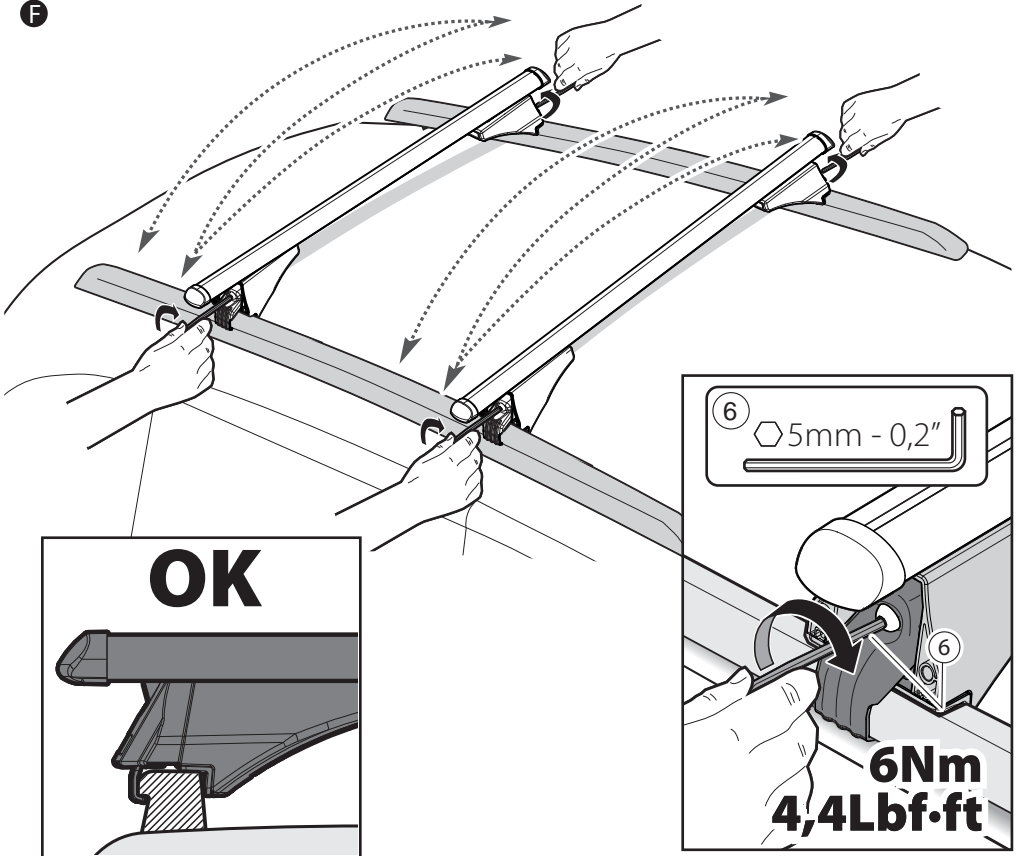
D

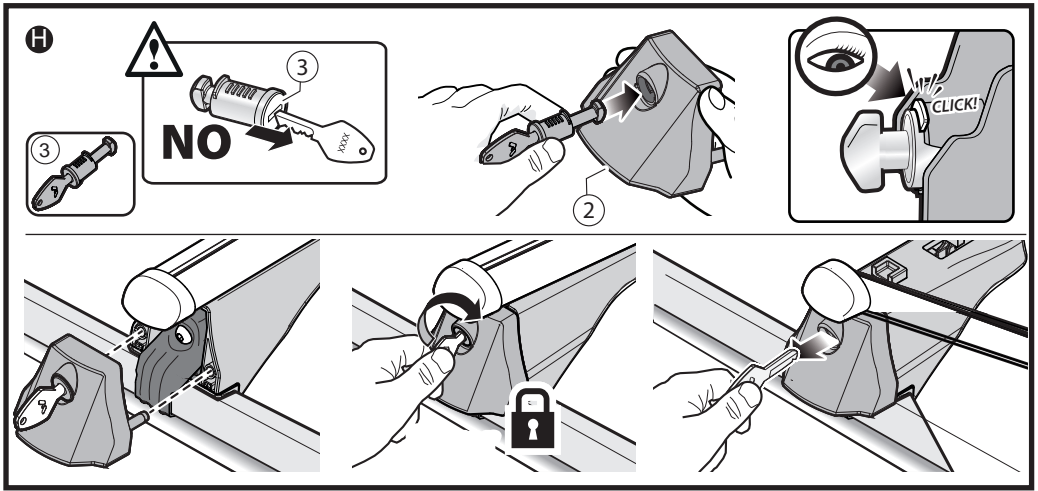


E



F





SMART BAR SYSTEM / SMART BAR SYSTEM XL

