

LED PROJECTOR


 Product Code: **068 030 1050**
PALLAS-50 3CCT


CCT ADJUSTABLE

 CCT Selectable
by DIP Switch

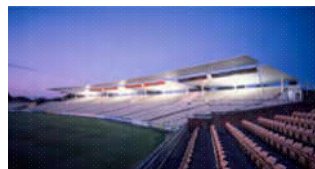
3000K
4500K
6000K


Technical Data

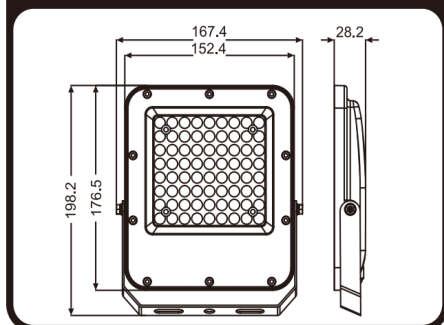
Voltage (V)	145-265V
Product Wattage (W)	50
Equivalence with incandescent lamp(W)	400
Colour Render Index (Ra)	>Ra80
Colour Temperature (K)	3CCT
Materials	Aluminium
Protection Class	I
Dimmable	No
EEI	
Warm-up time up to 60 % of the full light output	Instant Full Light
Luminous Flux (lm)	6500
Luminous Efficacy (lm/W)	130
Rated Life (hrs) ⌚	30.000
IP Rating	65
Power Factor	>0.9
Beam Angle	90°
Starting Time	<0.2s
Number of ON-OFF cycling	x15.000

Applications

- Stadiums, Outdoor



Technical Drawing



Features

- High Lumen and CRI, Good quality & Constant Current driver.
- High heat dissipation, low carbon and environmental protection.
- SMD LED Lamp Base.
- Very low energy consumption.

