

# **VEVOR<sup>®</sup>**

## **TOUGH TOOLS, HALF PRICE**

Technical Support and E-Warranty Certificate [www.vevor.com/support](http://www.vevor.com/support)

### **Garbage Disposal**

**Model: JW-301 / JW-301DCN / JWM-331 /  
JWM-331DCN/JWM-V50/JWM-V50A/JW-V50/JW-V50A  
/JW-731/JW-731DCN/JWM-931/JWM-931DCN**

We continue to be committed to provide you tools with competitive price. "Save Half", "Half Price" or any other similar expressions used by us only represents an estimate of savings you might benefit from buying certain tools with us compared to the major top brands and does not necessarily mean to cover all categories of tools offered by us. You are kindly reminded to verify carefully when you are placing an order with us if you are actually saving half in comparison with the top major brands.



JW-301



JW-301DCN



JWM-331



JWM-331DCN



JWM-V50



JWM-V50A



JW-V50



JW-V50A



JW-731



JW-731DCN



JWM-931



JWM-931DCN

## NEED HELP? CONTACT US!

Have product questions? Need technical support? Please feel free to contact us: **Technical Support and E-Warranty Certificate**  
[www.vevor.com/support](http://www.vevor.com/support)

This is the original instruction, please read all manual instructions carefully before operating. VEVOR reserves a clear interpretation of our user manual. The appearance of the product shall be subject to the product you received. Please forgive us that we won't inform you again if there are any technology or software updates on our product.

### **Please read this manual carefully before use!**

**WARNING - When using Food Waste Disposer, basic precautions are always to be followed, including the following:**

- 1) Read all the instructions before using the disposer.
- 2) To reduce the risk of injury, close supervision is required when a disposer is used near children.
- 3) Do not put fingers or hands into a disposer.
- 4) Turn the power switch to the off position before attempting to clear a jam or remove an object from the disposer.
- 5) When attempting to loosen a jam in a disposer, use a long wooden object such as a wooden spoon or the wooden handle of a broom or mop.
- 6) When attempting to remove objects from a disposer use long-handled tongs or pliers. For a disposer that is magnetically actuated, use nonmagnetic tools.
- 7) To reduce the risk of injury by materials that are expellable by a disposer, do not put the following into a disposer:
  - a) Clam or oyster shells.
  - b) Caustic drain cleaners or similar products.
  - c) Glass, china, or plastic.
  - d) Large whole bones.
  - e) Metal, such as bottle caps, tin cans, or utensils
  - f) Hot grease or other hot liquids.

8) When not operating a disposer, leave the drain cover in place to reduce the risk of objects falling into the disposer.

## **GROUNDING INSTRUCTIONS**

This disposer must be grounded to reduce the risk of electric shock in the event of a malfunction or breakdown. Grounding provides a path of least resistance for electric current. This disposer is equipped with a cord having an equipment-grounding conductor and a grounding plug. The plug must be plugged into an outlet that is properly installed and grounded in accordance with all local codes and ordinances. **WARNING** - Improper connection of the equipment-grounding conductor can result in a risk of electric shock. Check with a qualified electrician or serviceman if you are in doubt as to whether the disposer is properly grounded. If the plug provided with the disposer does not fit the outlet, do not modify the plug or attempt.

### **See insert for specific information about your new disposer**

Plug Controller into the wall. Once you have properly attached power cord to the connector, plug your heated pad into the wall.

#### **NOTE:**

This Food Waste Disposer has been designed to operate on 120/240 Volt, 60/50 Hz exclusively.

Using any other voltage or Hz adversely affects performance.

#### **IMPORTANT:**

Read all instructions thoroughly. Keep this guide for future reference.

#### **CAUTION:**

Be sure to review SAFETY INSTRUCTIONS FIRST PERTAINING TO A RISK OF FIRE, ELECTRICAL SHOCK OR INJURY TO PERSONS before using disposer.

## Tools and materials you may need



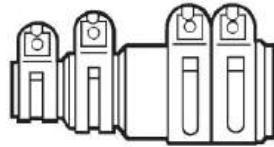
PHILLIPS & FLATBLADE  
SCREWDRIVER



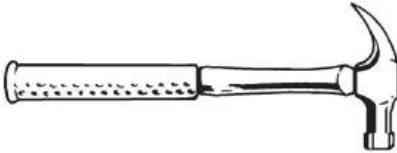
HACKSAW



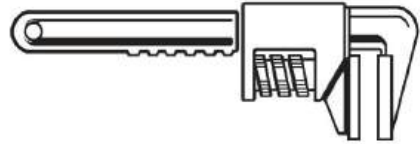
PLUMBER' S PUTTY



DISHWASHER CONNECTOR KIT



HAMMER



PIPE WRENCH



DOWEL OR  
STEEL PUNCH



POWER CORD



STRAIN RELIEF

## IMPORTANT SAFETYINSTRUCTIONS

INSTRUCTIONS PERTAINING TO A RISK OF FIRE, ELECTRIC SHOCK OR INJURY TOPERSONS. SAVE THESE INSTRUCTIONS.

WARNING - When using electrical appliances, basic precautions should always be

followed, including the following:

1. Read all instructions before using the appliance.
2. To reduce the risk of injury, close supervision is necessary when an appliance is used near children.
3. Do not put fingers or hands into a waste disposer.
4. Turn the power switch to the off position before attempting to clear a jam or remove an object from the disposer.
5. When attempting to loosen a jam in a waste disposer, use a long wooden object such as a wooden spoon or the wooden handle of a broom or mop.
6. When attempting to remove objects from a waste disposer use long-handled tongs or pliers. If the disposer is magnetically actuated, non-magnetic tools should be used.
7. To reduce the risk of injury by materials that maybe expelled by a waste disposer, do not put the following into a disposer: clam or oyster shells;caustic drain cleaners or similar products; glass china or plastic; large whole bones; metal, such as bottle caps, tin cans, aluminum foil or utensils;hot grease or other hot liquids; whole cornhusks.
8. When not operating a disposer, leave the stopper in place to reduce the risk of objects falling into the disposer.
9. DO NOT operate disposer unless splash guard is in place. (Does not apply to the Top Control/Batch Feed units.)
10. For proper grounding instructions see the ELECTRICAL CONNECTION portion of this manual.

## **1. REMOVAL OF OLD UNIT**

TYPICAL INSTRUCTIONS, YOUR MODEL MAY VARY.

Before starting this step,turn off electrical power at the circuit breaker or fuse box. If your old mount is the same as the mount on your new disposer, just reverse the assembly instructions found in section 3. If your new mount system is different, follow these instructions:

- A. Use a pipe wrench to disconnect drain line where it attaches to disposer discharge tube (see 1A).
- B. Remove disposer from sink flange by turning mount ring to the left clockwise

(see 1B). If you are unable to turn the mount ring, tap on one of the extensions from the ring with a hammer. Some mounting systems have tubular extensions. Inserting a screwdriver into one tube will provide additional leverage for turning the mount ring (see 1B). Some disposers may require the removal or loosening of nuts from the mount screws (see 1C). Some disposers may require the removal of a clamp.

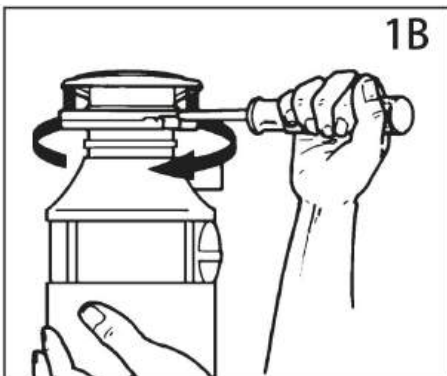
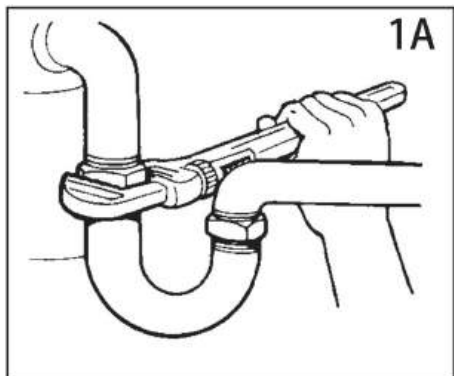
**Caution:** Be sure to support the disposer while performing this step or it may fall when the mounting ring is disconnected from the mounting assembly. If your disposer is hard wired (metal shielded cable not utilizing a wall plug), complete steps C and D. If you utilize a plugin cord, go on to step E.

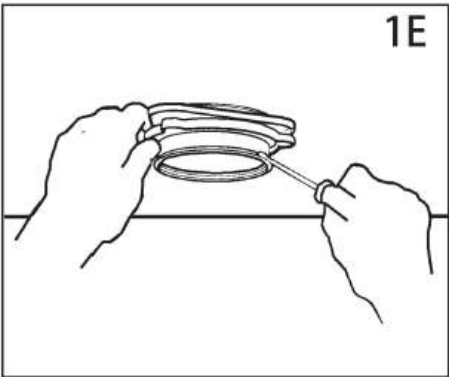
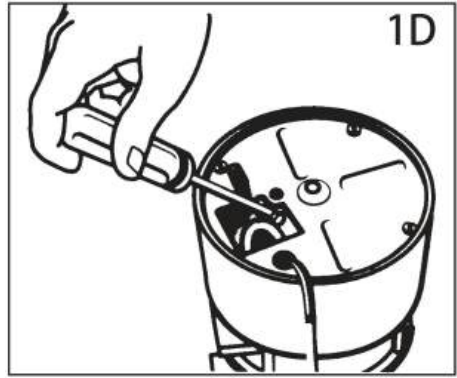
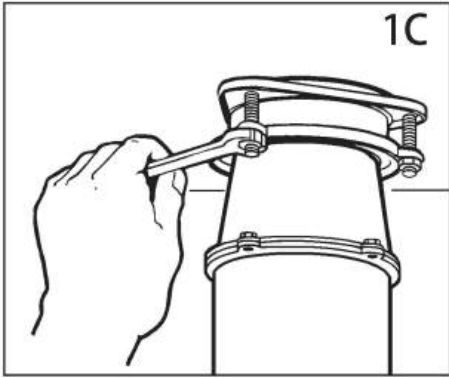
C. When disposer is removed, turn up side down and remove electrical cover plate (see 1D).

D. Use screwdriver to remove green ground wire. Remove wire nuts from black and white power wires and separate disposer wires from power cable wires. Loosen screws on cable clamp and separate cable from disposer.

E. To remove remaining mount system from the sink, loosen mount screws, push mount ring up. Under it is the snap ring. Use screwdriver to pop off ring (see 1E). Remove mount ring, protector ring and gasket from sink flange. Some mounts will require the unscrewing of a large ring holding the sink flange in place. Pull sink flange up through sink and clean off old putty from sink.

**IMPORTANT:** Unless you have a new home, this is a good time to clean out the trap and drain lines by running a drain auger or plumber's snake before installing your new disposer.



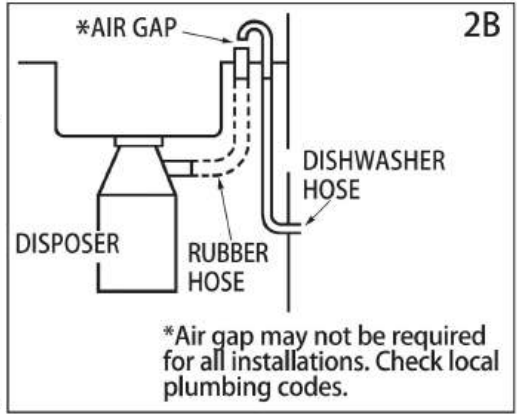
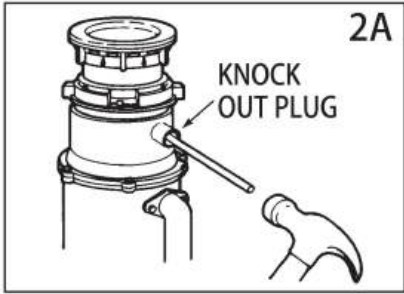


## 2. DISHWASHER CONNECTION

If you are utilizing a dishwasher, complete the following procedure. If dishwasher is not to be connected go on to section 3.

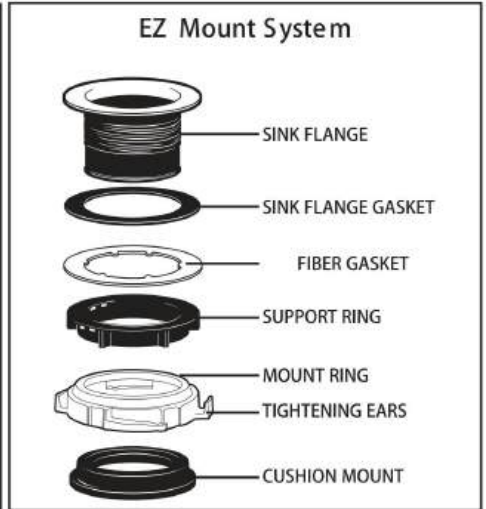
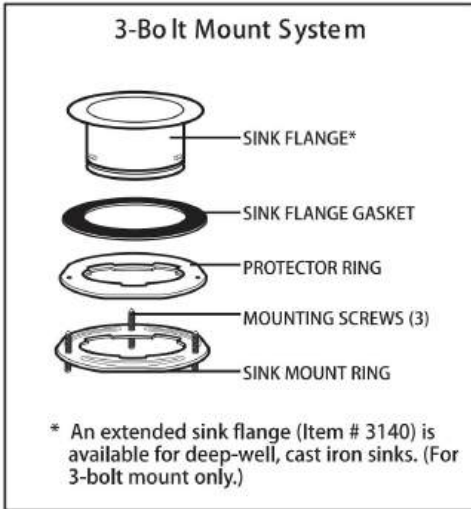
A. Using a blunt instrument (steel punch or wooden dowel), knock out entire plug (see 2A). Do not use a screwdriver or sharp instrument. When knockout plug falls into disposer, you may remove it or simply grind it up when the disposer is used. This will not damage the disposer in anyway, but may take some time to grind, over the course of several uses. Go to Section 3.

B. Connect dishwasher hose using hose clamp. If hose size is different, you will need a Dishwasher Connector Kit (see 2B). Make sure all plumbing connections are tight and in accordance with all plumbing codes and ordinances. Run water and check for leaks.



### 3. INSTALLATION OF MOUNTING ASSEMBLY

YOUR DISPOSER COMES WITH ONE OF THE FOLLOWING MOUNT SYSTEMS




Proceed to the instructions for your type of mount system.

### 3-Bolt Mount System

READ COMPLETELY BEFORE STARTING

**NOTE:** Pay close attention to the order of mount assembly parts, as they have been correctly assembled by the factory. (See 3A and 3B.)

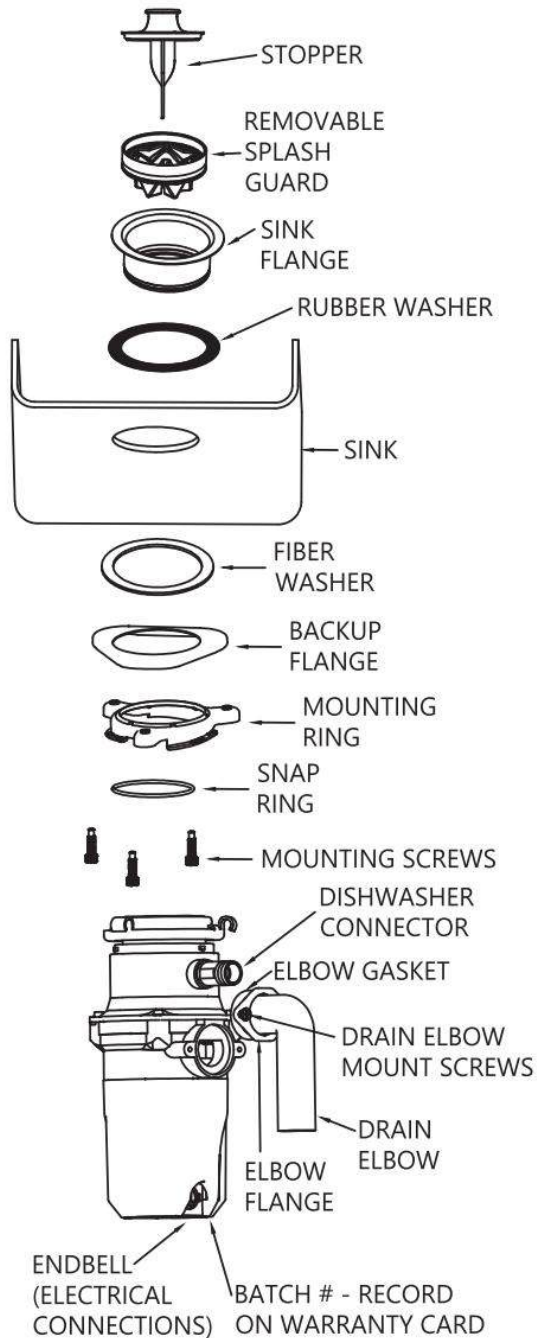
A. Disassemble the mounting assembly, as it has been shipped, by turning the sink flange until the projections align with the notches in the mount ring and allow you to pull the sink flange up and out of the remaining mount assembly. Note the sequence of these parts as they are stacked and refer to 3A and 3B to identify each part. Unpack the 3 mount screws and screw them half way through the mount ring (notice "THIS SIDE UP" is imprinted on top of the mount ring). Next, stack the rubber gasket on top of the protector ring and sit them on top of the pointed ends of the mount screws.

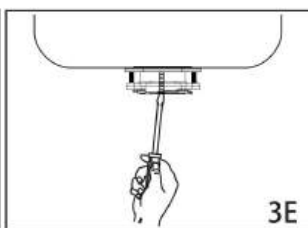
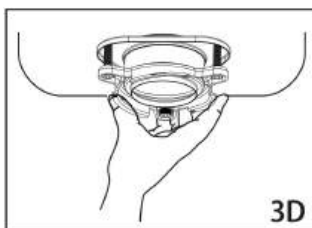
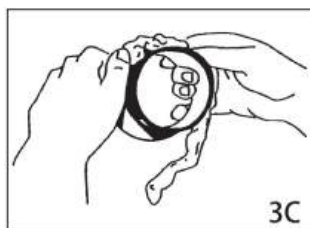
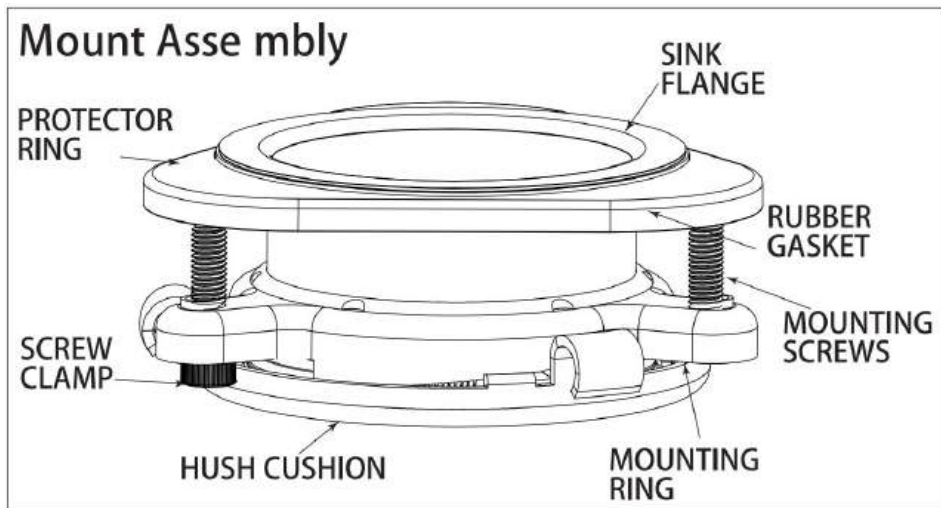
B. Keep these assembled parts together and set aside. Before you connect the disposer to the mount assembly under the sink, you may want to practice engaging the groove of the Hush Cushion  to the ridge at the bottom of the sink flange (see 3A and read Sec. 6).

C. Be sure your sink is clean. Pack the underside rim of the sink flange with plumber's putty (see 3C). Position the sink flange so it is centered and readable as you look into your sink. Push the sink flange firmly into the sink opening to make a good seal. DONOT move or rotate the sink flange once seated or the seal may be broken.

D. Take the remaining portion of the mount assembly, as it was set aside and make sure that the rubber gasket is on top of the protector ring. From under the sink, while holding the sink flange firmly with one hand, line up the notches in the mount ring with the projections of the sink flange. Slide the mount assembly up onto the sink flange, past the projections and give the mount assembly a 1/4 turn, so that it will hang by itself (see 3D).

E. Tighten the 3 mounting screws evenly with a screwdriver (see 3E). DO NOT OVERTIGHTEN! Trim off excess putty.





## EZ Mount System

### READ COMPLETELY BEFORE STARTING

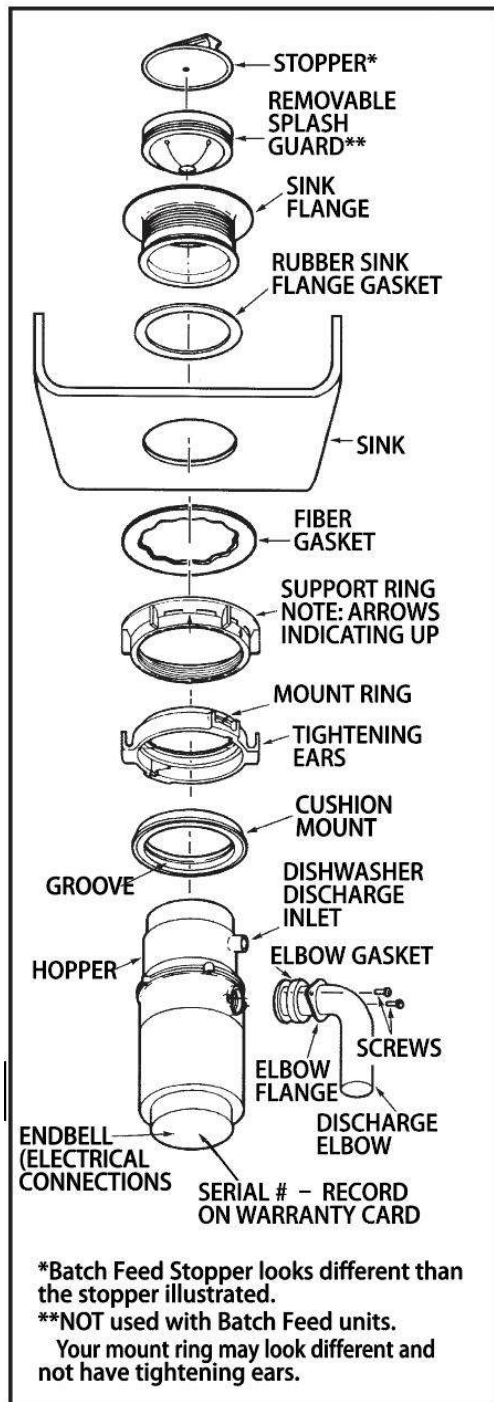
**NOTE:** Pay close attention to the order of mount assembly parts, as they have been correctly assembled by the factory. Also, reference the cushion mount detail in illustration 3J below for the proper orientation of the cushion mount.

**NOTE:** Try practicing this assembly before you get under the sink to get the "feel" of how the parts fit together.

A. Disassemble mount assembly from disposer by turning mount ring to the left (clockwise) and remove.

B. Raise mount ring toward top of sink flange. Remove cushion mount. Remove mount ring. You may want to practice installing the cushion mount at this point before you are under the sink. See paragraph H. Also see the "Important Notice: Cushion Mount Detail."

- C. Unscrew support ring from sink flange and remove fiber gasket. You are now left with sink flange and rubber gasket.
- D. The rubber gasket is used instead of plumbers putty with stainless steel sinks. Other sinks will require putty.
- E. If no putty is used, insert sink flange through rubber gasket into sink opening. Do not rotate sink flange once it is seated.
- F. If you use putty instead of the gasket, form a ring around underside of sink flange. Insert flange into sink opening, press down hard to squeeze out excess putty. From under sink, trim off excess putty flush with bottom edge of sink opening.
- G. From underneath sink, slip fiber gasket onto exposed sink flange. With arrows pointing up, screw support ring onto the sink flange, hand tighten until the sink flange will not move (see 3F). At this point you may want to insert stopper in sink and fill with water to check sink flange seal and insure there are no leaks.
- H. Place mount ring over sink flange and hold in place while installing cushion mount (large side down) so the groove on the inside of cushion mount fits over lip on sink flange, similar to putting the lid on a plastic container (see 3G, 3H & 3J). Please read important notice below.



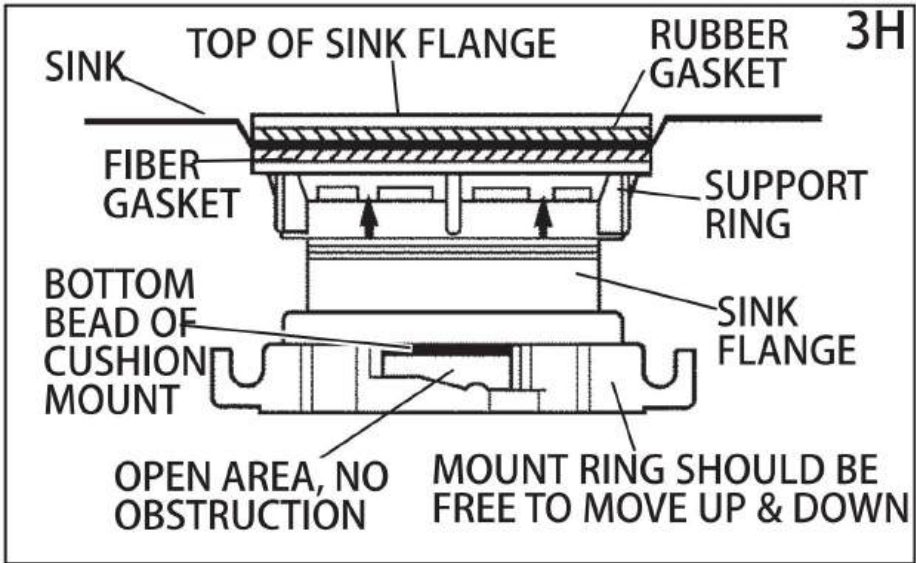
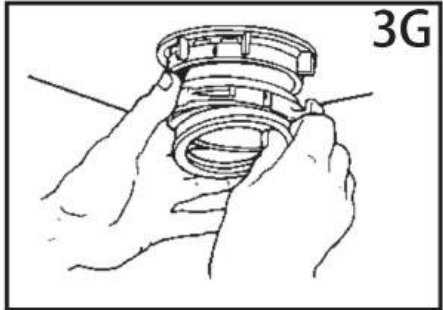
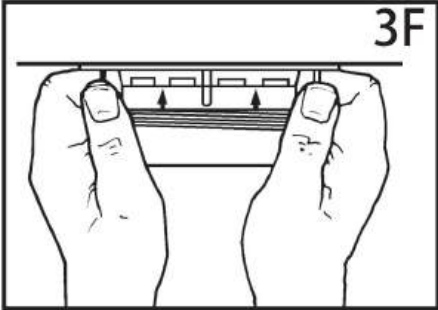
\*Batch Feed Stopper looks different than the stopper illustrated.

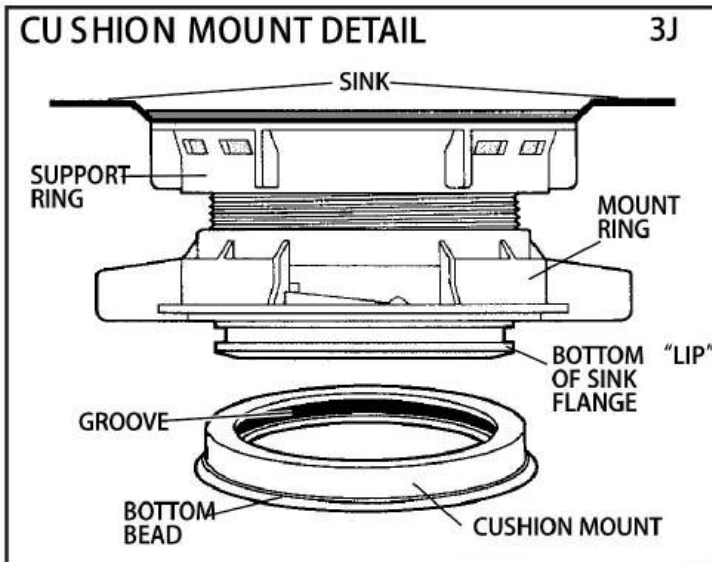
\*\*NOT used with Batch Feed units.

Your mount ring may look different and not have tightening ears.

# IMPORTANT NOTICE: CUSHION MOUNT DETAIL

When the cushion mount is installed correctly, the lip of the sink flange fits into the groove on the inside of the cushion mount and mount ring can be pulled downward over cushion mount and will be free to rotate. The bottom bead of the cushion mount acts as a gasket between the bottom of the sink flange and the top of the disposer. See illustration 3J.





## 4. ELECTRICAL CONNECTIONS

Now is the time to record the SERIAL NUMBER ( located on the bottom of the disposer ) onto the warranty card.

IF YOU ARE NOT FAMILIAR WITH ELECTRICAL PROCEDURES, CALL A QUALIFIED ELECTRICIAN

WARNING: IMPROPER CONNECTION OF THE EQUIPMENT GROUNDING CONDUCTOR CAN RESULT IN A RISK OF ELECTRIC SHOCK. CHECK WITH A QUALIFIED ELECTRICIAN OR SERVICE MAN IF YOU ARE IN DOUBT AS TO WHETHER THE APPLIANCE IS PROPERLY GROUNDED. DO NOT MODIFY THE PLUG PROVIDED WITH THE APPLIANCE IF IT WILL NOT FIT THE OUTLET, HAVE A PROPER OUTLET INSTALLED BY A QUALIFIED ELECTRICIAN.

## GROUNDING INSTRUCTIONS

FOR WASTEDISPOSERS EQUIPPED WITH A GROUNDED PLUG-IN POWER CORD.

Never use this warning product with:

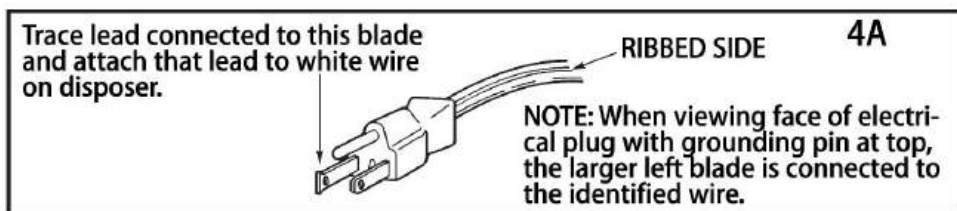
This appliance must be grounded. In the event of a malfunction or breakdown, grounding provides a path of least resistance for electric current to reduce the risk of electric shock. This appliance is equipped with a cord having an equipment-grounding conductor and a grounding plug. The plug must be plugged into an appropriate outlet that is properly installed and grounded in accordance with all local codes and ordinances.

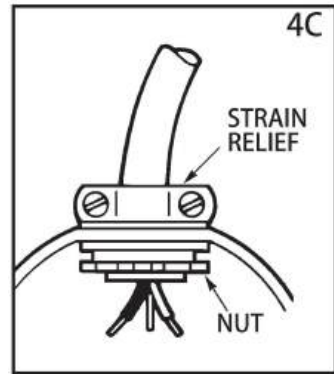
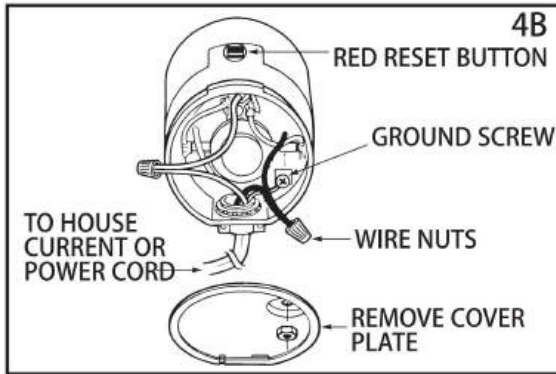
FOR WASTE DISPOSERS NOT EQUIPPED WITH GROUNDED PLUG-IN POWER CORD.

This appliance must be grounded. In the event of malfunction or breakdown, grounding provides a path of least resistance for electric current to reduce the risk of electric shock. The power cord (to be installed) must have an equipment grounding conductor and a grounding plug. The plug must be plugged into an appropriate outlet that is properly installed and grounded in accordance with all local codes and ordinances.

Disconnect electric power to disposer circuit before installation. Turn the circuit breaker to the OFF position or remove the fuse.

- A. Connect disposer to 110-120 Volt, 60 Hz AC current only.
- B. If plug-in cord is used, use a three prong plug (see 4A). Ground wire should be attached to the ground screw in the bottom of the end bell (see 4B).
- C. Use a cable clamp strain relief connector where power cord enters the disposer (see 4C).





**Wiring Disposer Directly to House Current** This appliance must be connected to a grounded, metal permanent wiring system or an equipment grounding conductor must be run with the circuit conductors and connected to the equipment-grounding terminator or lead on the appliance.

A. If you use BX cable:

1. install cable connector in hole.
2. Connect white wire to white lead of disposer.
3. Connect black.
4. Connect bare ground.

If BX cable is not used, provide a separate ground wire to nearest cold water metal pipe or other suitable ground, using the screw in the bottom of the end bel for the ground wire (see 4C).

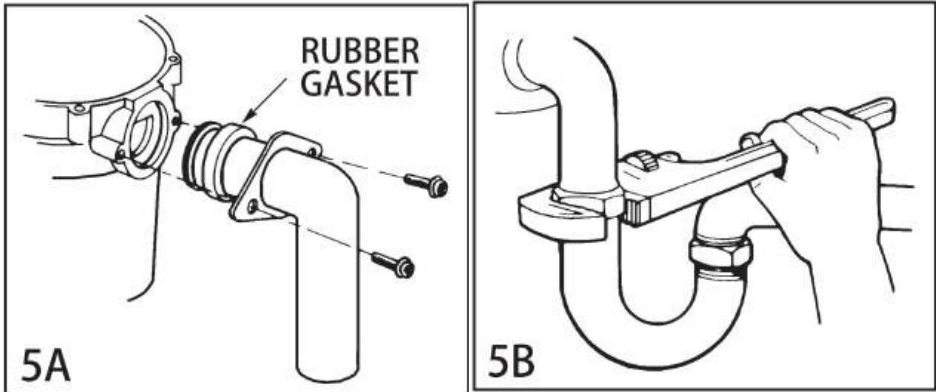
B. If your power supply does not include a ground wire, you must provide one unless metal cable is used. Attach a copper wire securely to disposer ground screw and attach other end of wire to a metal cold water pipe. Use only UL approved ground clamp. If plastic pipe is used in your home, a qualified electrician should install a proper ground.

## 5. ATTACHING DISCHARGE ELBOW

A. Connect waste elbow to the disposer (see 5A), proceed to step 6 and then connect bottom of the elbow by tightening the slip nut (see 5B).

B. If you are connecting to a dishwasher, return to section 2B. If not, make sure all plumbing connections are tight and in accordance with all plumbing codes and

ordinances. Run water and check for leaks.



## 6. CONNECTING DISPOSER TO MOUNT ASSEMBLY

### 3-BOLT MOUNT(See section 3 for your mount type.)

A. Press firmly around the Hush Cushion to ensure it is engaged with the neck of the disposer.

B. Lubricate the top inside lip of the rubber Hush Cushion with a liquid soap.

C. Line up discharge elbow of disposer with trap under mounting assembly. Guide disposer up and engage the groove of the Hush Cushion around the ridge at the bottom of the sink flange (see 6A& refer back to 3B). While still supporting the disposer, tighten the screw-clamp around Hush Cushion. The disposer will now hang by itself.

D. If you need to turn the disposer make sure the sink flange does not turn. It will break the seal created when installed. Go back to steps 5A and 5B.

### IMPORTANT-PLEASE READ

Do not remove clamp from Hush Cushion or Hush Cushion from hopper. Both parts are factory installed and installation ready.

Lubricate top angled surface of rubber Hush Cushion with liquid soap prior to engaging disposer to sink flange. Fit Hush Cushion lip into sink flange groove using a slight rocking motion. Tighten clamp (see 6B).

### EZ MOUNT(See section 3 for your mount type.)

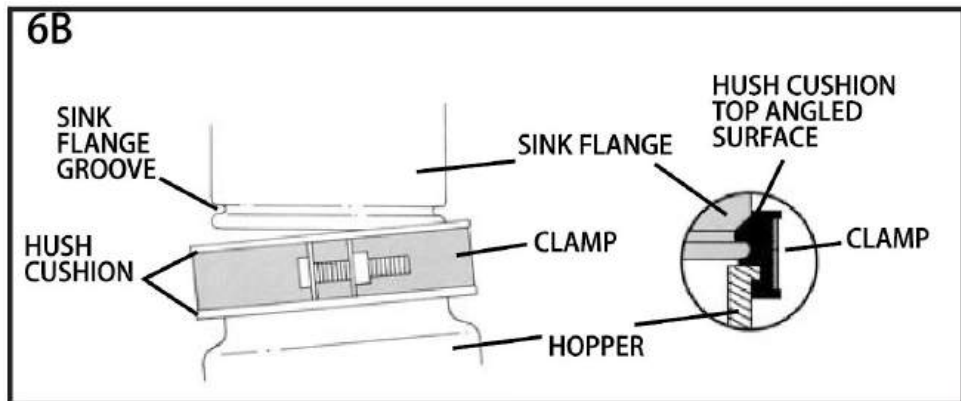
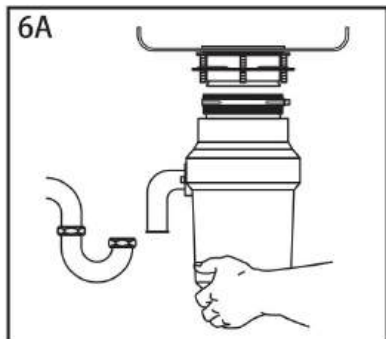
A. Line up disposer under mounting assembly. Guide hopper projections into mount ring slots. Turn mount ring about 1/4'to right so that disposer is temporarily

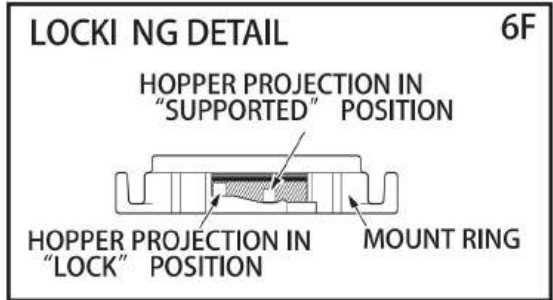
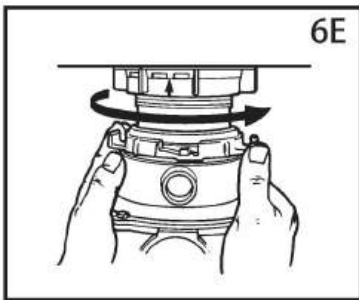
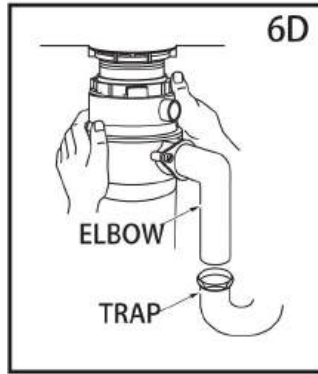
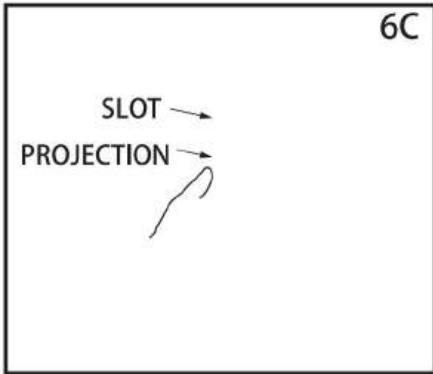
supported (see 6C).

B. Turn mount ring and disposer until disposer elbow lines up with trap (see 6D).

C. Turn mount ring to the right (counter-clockwise) until it locks up tight. Tap the mount ring ears with a hammer until the lock position is achieved. Hopper projections must be to extreme left of mounting slots (see 6E).

D. If mount ring is hard to turn, you may add a small amount of petroleum jelly or liquid soap to hopper projections. Run water and check for leaks.





## 7. OPERATING INSTRUCTIONS

The Anti-Jam Swivel Impellers make a clicking sound as they swing into place. This indicates normal operation.

- A. Remove sink stopper. Turn on a medium flow of cold water.
- B. Turn switch to ON position; your motor is turning at full speed and ready to use.
- C. Scrape in food waste. Down the drain go table scraps, peelings, rinds, seeds, pits, small bones and coffee grounds. To speed up food waste disposal, cut or break up large bones, rinds and cobs. Large bones and fibrous husks require considerable grinding time and are more easily thrown away with other trash. Do not be alarmed that the disposer slows down while grinding. The disposer is actually increasing torque (grinding power) and is operating under normal conditions.
- D. Before turning disposer off, let water and disposer run for approximately 15 seconds after shredding stops. This assures that all waste is thoroughly flushed

through trap and drain.

## TIPS FOR SUCCESSFUL OPERATION

A. Be sure disposer is empty before using your dishwasher so it may drain properly.

B. You may want to leave the stopper in the drain when not in use to prevent utensils and foreign objects from falling into the disposer.

C. Your disposer is ruggedly built to give you many years of trouble free service. It will handle all normal food wastes, but it will NOT grind or dispose of such items as plastic, tin cans, bottle caps, glass, china, leather, cloth, rubber, string, clam and oyster shells, aluminum foil or feathers.

## BATCH FEED OPERATING INSTRUCTIONS

The Anti-Jam Swivel Impellers make a clicking sound as they swing into place. This indicates normal operation.

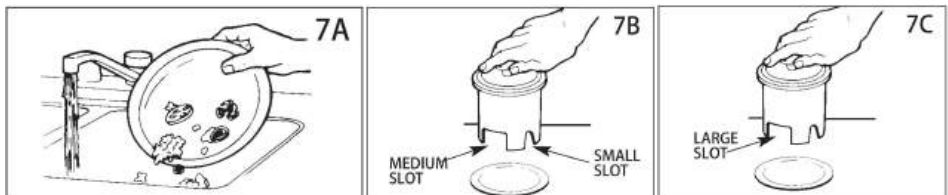
A. Remove sink stopper and turn on a medium flow of cold water.

B. Scrape in food waste. Down the drain go table scraps, vegetable peelings, cobs, rinds, pits, bones and coffee grounds. (see 7A)

C. Insert stopper to start disposer. (see 7B) One of the two small slots in stopper base must line up with switch plunger inside the neck of the disposer. Push down firmly to turn the disposer on. Lift stopper to shut the disposer off.

D. Run disposer for 15 seconds after shredding stops. This assures that all waste is thoroughly flushed through the drain.

E. To fill sink, insert stopper and align the largest slot with the switch plunger. (see 7C) Push down to seal sink without starting the disposer. When medium sized slot (see 7B) in stopper base is lined up with the switch plunger, water can drain, but tableware, etc., cannot be accidentally dropped into disposer.



## 8. TROUBLESHOOTING

Before seeking repair or replacement, we recommend that you review the following.

**LOUD NOISES:** (Other than those during grinding of small bones and fruit pits): These are usually caused by accidental entry of a spoon, bottle cap or other foreign object. To correct this, turn off electrical switch and water. After disposer has stopped, remove \*splash guard, remove object with long handled tongs, and replace \*splash guard.

**UNIT DOES NOT START:** Unplug power cord or turn either the wall switch or breaker box switch to "OFF" position, depending on your model and wiring configuration. Remove stopper and/or \*splash guard. Check to see if turntable will rotate freely using a wooden broom handle. If turntable rotates freely, replace \*splash guard and check re-set button to see if it has been tripped. Re-set button is red and located opposite discharge elbow, near the bottom (see 8A). Push button in until it clicks and remains depressed.

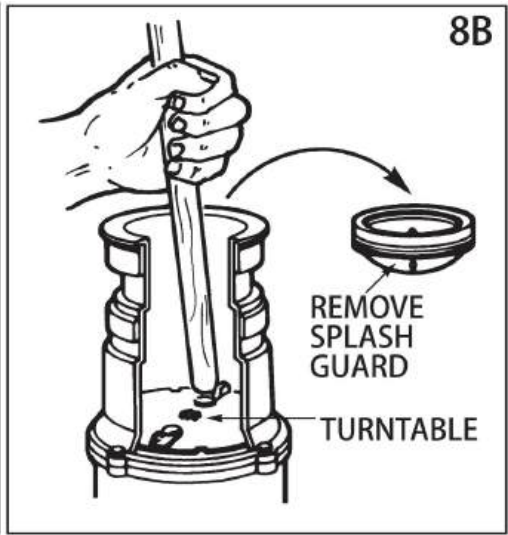
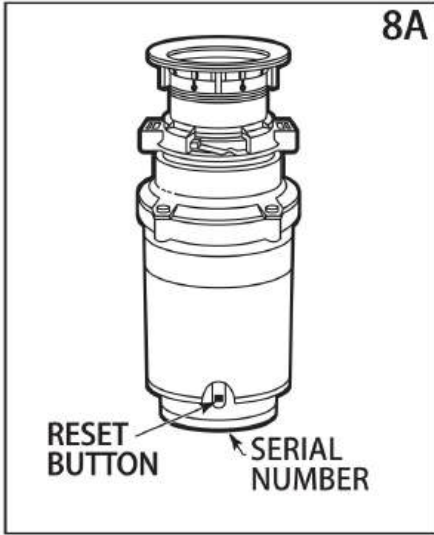
If re-set button has not been tripped, check for short-ed or broken wire connecting to disposer. Check electrical power switch, fuse box or circuit breaker. If wiring and electrical components are intact, the unit may have internal problems that require service or replacement.

\* Splash guard not used on Top Control/Batch Feed unit.

**IF TURNTABLE DOES NOT ROTATE FREELY:** Turn off disposer, then check for any foreign object lodged between the turntable and grind ring. Dislodge object by rotating table with a wooden broom handle and remove object. (see 8B) If no foreign object is present, there may be internal problems.

**LEAKS:** If the unit leaks at the top, it may be due to:

1. Improper seating of sink flange (gasket centering, putty or tightening).
2. Support ring not tightened properly.
3. Defective or improperly installed cushion mount. If unit leaks at the waste elbow, leak may be due to improper tightening of elbow flange screws.



## 9. CLEANING AND MAINTENANCE

10. To machine dry, put your product into a family washing machine and dryer on low heat below 40°C. Ensure that the textile has enough room to tumble freely. If blanket draws in during washing, while still damp gently stretch until it returns to its original size.

**DO NOT ATTEMPT TO LUBRICATE YOUR DISPOSER!**

The motor is permanently lubricated. The disposer is self cleaning and scours its internal parts with each use.

**NEVER** put lye or chemical drain cleaners into the disposer, as they cause serious corrosion of metal parts. If used, resulting damage can be easily detected and all warranties are void. Mineral deposits from your water can form on the stainless steel turntable, giving the appearance of rust. **DO NOT BE ALARMED**, the stainless steel turntables used will not corrode.

## Product Specifications

Model	Input	Rated power	Installation mode	Motor type
JW-301	120Vac/60Hz	1/2HP	Torsion lock type installation	DC motor
JW-301DCN	220-240Vac, 50Hz 1HP	1/2HP	Torsion lock type installation	DC motor
JWM-331	120Vac/60Hz	1/2HP	3 bolt mounting	DC motor
JWM-331DCN	220-240Vac, 50Hz 1HP	1/2HP	3 bolt mounting	DC motor
JWM-V50	120Vac/60Hz	3/4HP	3 bolt mounting	DC motor
JWM-V50A	220-240Vac, 50Hz 1HP	3/4HP	3 bolt mounting	DC motor
JW-V50	120Vac/60Hz	3/4HP	Torsion lock type installation	DC motor
JW-V50A	220-240Vac, 50Hz 1HP	3/4HP	3 bolt mounting	DC motor
JW-731	120Vac/60Hz	1HP	Torsion lock type installation	DC motor
JW-731DCN	220-240Vac, 50Hz 1HP	1HP	3 bolt mounting	DC motor
JWM-931	120Vac/60Hz	1.25HP	Torsion lock type installation	DC motor
JWM-931DCN	220-240Vac, 50Hz 1HP	1.25HP	3 bolt mounting	DC motor

**VEVOR<sup>®</sup>**

**TOUGH TOOLS, HALF PRICE**

**Technical Support and E-Warranty Certificate**

**[www.vevor.com/support](http://www.vevor.com/support)**

# VEVOR<sup>®</sup>

## TOUGH TOOLS, HALF PRICE

Assistance technique et certificat de garantie électronique [www.vevor.com/support](http://www.vevor.com/support)

### Élimination des déchets

Modèle : JW-301 / JW-301DCN / JWM-331 /  
JWM-331DCN/JWM-V50/JWM-V50A/JW-V50/JW-V50A  
/JW-731/JW-731DCN/JWM-931/JWM-931DCN

Nous continuons à nous engager à vous fournir des outils à des prix compétitifs. « Économisez la moitié », « Moitié prix » ou toute autre expression similaire utilisée par nous ne représente qu'une estimation des économies que vous pourriez réaliser en achetant certains outils chez nous par rapport aux grandes marques et ne couvre pas nécessairement toutes les catégories d'outils que nous proposons. Nous vous rappelons de bien vouloir vérifier soigneusement lorsque vous passez une commande chez nous si vous économisez réellement la moitié par rapport aux grandes marques.

**VEVOR**<sup>®</sup>  
TOUGH TOOLS, HALF PRICE

Élimination des déchets  
Manuel d'instructions



JW-301



JW-301DCN



JWM-331



JWM-331DCN



JWM-V50



JWM-V50A



JW-V50



JW-V50A



JW-731



JW-731DCN



JWM-931



JWM-931DCN

## BESOIN D'AIDE? CONTACTEZ-NOUS!

Vous avez des questions sur les produits ? Vous avez besoin d'assistance technique ? N'hésitez pas à nous contacter

nous:

Assistance technique et certificat de garantie électronique

[www.vevor.com/support](http://www.vevor.com/support)

Ceci est l'instruction originale, veuillez lire toutes les instructions du manuel attentivement avant d'utiliser. VEVOR se réserve une interprétation claire de nos manuel d'utilisation. L'apparence du produit sera soumise à la produit que vous avez reçu. Veuillez nous excuser, nous ne vous informerons plus si il y a des mises à jour technologiques ou logicielles sur notre produit.

**Veuillez lire attentivement ce manuel avant utilisation !**

AVERTISSEMENT - Lors de l'utilisation d'un broyeur de déchets alimentaires, des précautions de base doivent toujours être prises.

à suivre, notamment les suivantes :

- 1) Lisez toutes les instructions avant d'utiliser le broyeur.
- 2) Pour réduire le risque de blessure, une surveillance étroite est requise lorsqu'un broyeur est utilisé. utilisé à proximité des enfants.
- 3) Ne mettez pas les doigts ou les mains dans un broyeur.
- 4) Mettez l'interrupteur d'alimentation en position d'arrêt avant de tenter de supprimer un bourrage ou retirer un objet du broyeur.
- 5) Lorsque vous essayez de débloquer un broyeur, utilisez un objet long en bois tel qu'un comme une cuillère en bois ou le manche en bois d'un balai ou d'une serpillière.
- 6) Lorsque vous essayez de retirer des objets d'un broyeur, utilisez des pinces à long manche ou pinces. Pour un broyeur à actionnement magnétique, utilisez des outils non magnétiques.
- 7) Pour réduire le risque de blessure par des matériaux pouvant être expulsés par un broyeur, ne mettre les éléments suivants dans un broyeur :
  - a) Coquilles de palourdes ou d'huîtres.
  - b) Produits caustiques pour déboucher les canalisations ou produits similaires.
  - c) Verre, porcelaine ou plastique.
  - d) Gros os entiers.
  - e) Métal, comme des bouchons de bouteilles, des boîtes de conserve ou des ustensiles.
  - f) Graisse chaude ou autres liquides chauds.

8) Lorsque vous n'utilisez pas un broyeur, laissez le couvercle du drain en place pour réduire le risque que des objets tombent dans le broyeur.

## INSTRUCTIONS DE MISE À LA TERRE

Ce broyeur doit être mis à la terre pour réduire le risque de décharge électrique en cas de dysfonctionnement ou de panne. La mise à la terre fournit un chemin de moindre résistance pour le courant électrique. Ce broyeur est équipé d'un cordon doté d'un conducteur de mise à la terre et d'une fiche de mise à la terre.

La fiche doit être branchée sur une prise correctement installée et mise à la terre conformément à tous les codes et ordonnances locaux. **AVERTISSEMENT** - Une connexion incorrecte du conducteur de mise à la terre de l'équipement peut entraîner un risque de décharge électrique. Vérifiez auprès d'un électricien ou d'un technicien qualifié si vous avez un doute quant à la mise à la terre correcte du broyeur. Si la fiche fournie avec le broyeur ne correspond pas à la prise, ne la modifiez pas et n'essayez pas de la réparer.

Consultez l'encart pour obtenir des informations spécifiques sur votre nouveau broyeur. Branchez le contrôleur dans le mur. Une fois que vous avez correctement fixé le cordon d'alimentation au connecteur, branchez votre coussin chauffant dans le mur.

### NOTE:

Ce broyeur de déchets alimentaires a été conçu pour fonctionner exclusivement sur 120/240 volts, 60/50 Hz.

L'utilisation d'une autre tension ou d'un autre Hz affecte négativement les performances.

### IMPORTANT:

Lisez attentivement toutes les instructions. Conservez ce guide pour référence ultérieure.

### PRUDENCE:

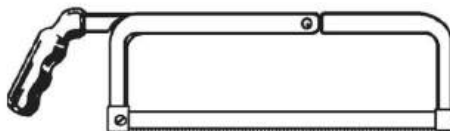
Assurez-vous de lire d'abord les **CONSIGNES DE SÉCURITÉ RELATIVES AU RISQUE DE INCENDIE, ÉLECTRIQUE**

**ÉVITEZ LES ÉLECTROCUTIONS OU LES BLESSURES CORPORELLES** avant d'utiliser le broyeur.

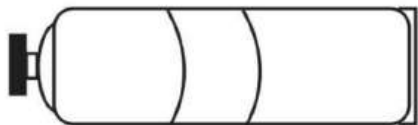
## Outils et matériaux dont vous pourriez avoir besoin



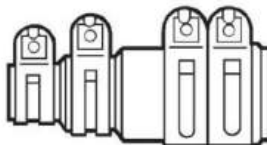
PHILLIPS & FLATBLADE  
SCREWDRIVER



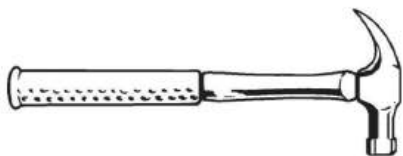
HACKSAW



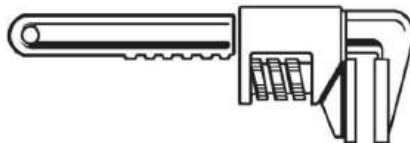
PLUMBER' S PUTTY



DISHWASHER CONNECTOR KIT



HAMMER



PIPE WRENCH



DOWEL OR  
STEEL PUNCH



POWER CORD



STRAIN RELIEF

## CONSIGNES DE SÉCURITÉ IMPORTANTES

INSTRUCTIONS RELATIVES AUX RISQUES D'INCENDIE, DE CHOC ÉLECTRIQUE OU  
RISQUE DE BLESSURES AUX PERSONNES. CONSERVEZ CES INSTRUCTIONS.

AVERTISSEMENT - Lors de l'utilisation d'appareils électriques, des précautions de base doivent toujours être prises.

suivi, y compris les éléments suivants :

1. Lisez toutes les instructions avant d'utiliser l'appareil.
2. Pour réduire le risque de blessure, une surveillance étroite est nécessaire lorsqu'un appareil est utilisé. utilisé à proximité des enfants.
3. Ne mettez pas les doigts ou les mains dans un broyeur à déchets.
4. Mettez l'interrupteur d'alimentation en position d'arrêt avant de tenter de supprimer un bouchage ou retirer un objet du broyeur.
5. Lorsque vous essayez de débloquer un broyeur à déchets, utilisez un long objet en bois. comme une cuillère en bois ou le manche en bois d'un balai ou d'une serpillière.
6. Lorsque vous essayez de retirer des objets d'un broyeur à déchets, utilisez un manche long. pinces ou tenailles. Si le broyeur est actionné magnétiquement, des outils non magnétiques doivent être utilisés.
7. Pour réduire le risque de blessure par des matériaux qui peuvent être expulsés par un déchet broyeur, ne mettez pas les éléments suivants dans un broyeur : coquilles de palourdes ou d'huîtres ; caustique nettoyants pour canalisations ou produits similaires ; verre, porcelaine ou plastique ; gros os entiers ; métal, comme des bouchons de bouteilles, des boîtes de conserve, du papier d'aluminium ou des ustensiles ; graisse chaude ou autre liquide chaud liquides; cosses de maïs entières.
8. Lorsque vous n'utilisez pas un broyeur, laissez le bouchon en place pour réduire le risque objets tombant dans le broyeur.
9. NE PAS utiliser le broyeur à moins que la protection anti-éclaboussures ne soit en place. (Ne s'applique pas aux les unités Top Control/Batch Feed.)
10. Pour des instructions de mise à la terre appropriées, consultez la section CONNEXION ÉLECTRIQUE partie de ce manuel.

## 1. RETRAIT DE L'ANCIENNE UNITÉ

INSTRUCTIONS TYPIQUES, VOTRE MODÈLE PEUT VARIER.

Avant de commencer cette étape, coupez l'alimentation électrique au niveau du disjoncteur ou du boîtier à fusibles.

Si votre ancien support est le même que celui de votre nouveau broyeur, inversez simplement le sens de rotation.

instructions de montage trouvées dans la section 3. Si votre nouveau système de montage est différent, suivez ces instructions:

A. Utilisez une clé à pipe pour déconnecter la conduite d'évacuation à l'endroit où elle se fixe au broyeur. tube à décharge (voir 1A).

B. Retirez le broyeur de la bride de l'évier en tournant la bague de montage vers la gauche dans le sens des aiguilles d'une montre.

(voir 1B). Si vous ne parvenez pas à tourner la bague de montage, appuyez sur l'une des extensions de l'anneau avec un marteau. Certains systèmes de montage ont des extensions tubulaires.

L'insertion d'un tournevis dans un tube fournira un effet de levier supplémentaire pour tourner le bague de montage (voir 1B). Certains broyeurs peuvent nécessiter le retrait ou le desserrage des écrous des vis de montage (voir 1C). Certains broyeurs peuvent nécessiter le retrait d'un serrer.

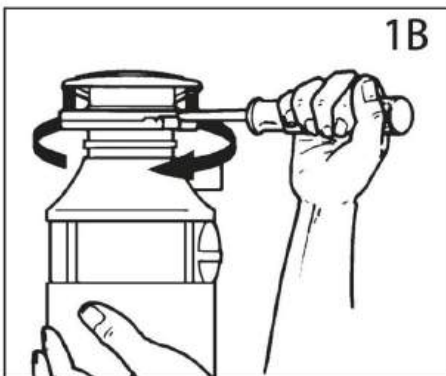
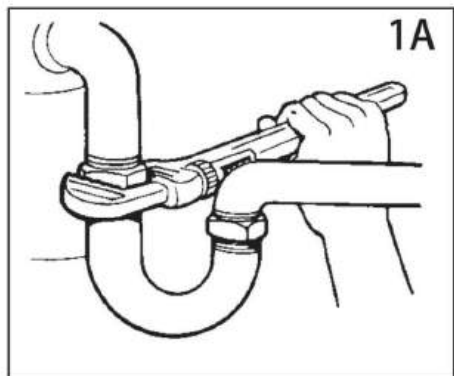
Attention : Assurez-vous de soutenir le broyeur pendant que vous effectuez cette étape, sinon il risque de tomber. lorsque la bague de montage est déconnectée de l'ensemble de montage. Si votre broyeur est câblé (câble blindé en métal n'utilisant pas de prise murale), complétez les étapes C et D. Si vous utilisez un cordon d'alimentation, passez à l'étape E.

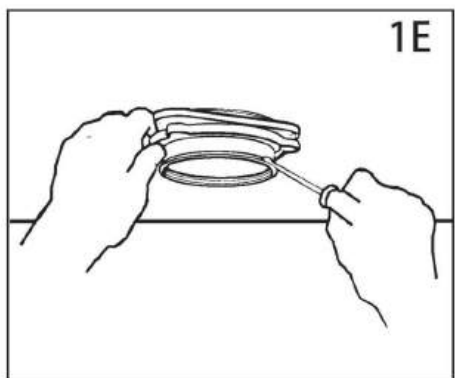
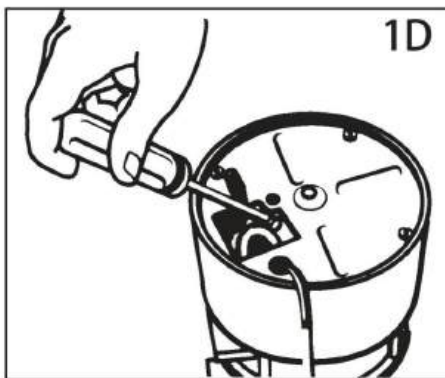
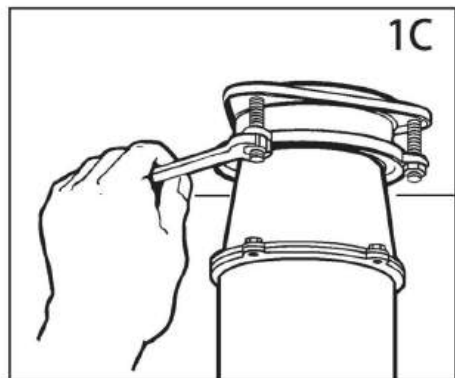
C. Une fois le broyeur retiré, retournez-le et retirez le couvercle électrique. plaque (voir 1D).

D. Utilisez un tournevis pour retirer le fil de terre vert. Retirez les écrous de fil du fil noir et les fils d'alimentation blancs et les fils d'élimination séparés des fils du câble d'alimentation. Desserrez les vis du serre-câble et séparez le câble du broyeur.

E. Pour retirer le système de montage restant de l'évier, desserrez les vis de montage, poussez Montez l'anneau vers le haut. En dessous se trouve l'anneau élastique. Utilisez un tournevis pour retirer l'anneau (voir 1E). Retirez la bague de montage, la bague de protection et le joint de la bride de l'évier. Certains supports nécessitent le dévissage d'un gros anneau qui maintient la bride de l'évier en place. Tirez l'évier faites passer la bride dans l'évier et nettoyez le vieux mastic de l'évier.

**IMPORTANT** : À moins que vous n'ayez une nouvelle maison, c'est le bon moment pour faire le ménage. les conduites de siphon et de drainage en utilisant une tarière de drainage ou un furet de plombier avant l'installation de votre nouveau broyeur.



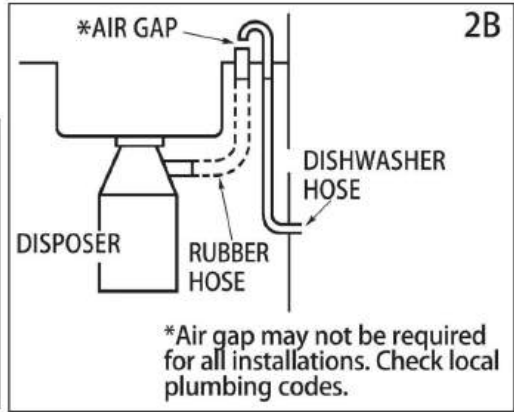
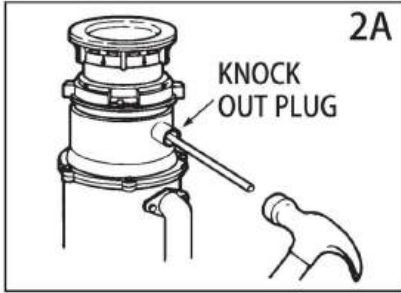


## 2. RACCORDEMENT LAVE-VAISSELLE

Si vous utilisez un lave-vaisselle, procédez comme suit. Si le lave-vaisselle ne doit pas être connecté, passez à la section 3.

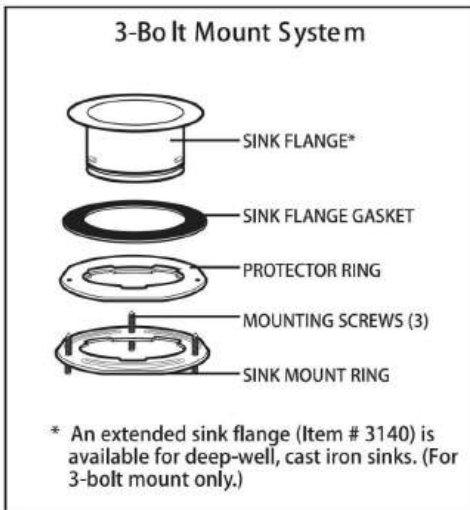
A. À l'aide d'un instrument contondant (poinçon en acier ou cheville en bois), faites tomber le bouchon entier (voir 2A). N'utilisez pas de tournevis ou d'instrument pointu. Lorsque le bouchon tombe dans le broyeur, vous pouvez le retirer ou simplement le broyer lorsque le broyeur est utilisé. Cela n'endommagera en aucun cas le broyeur, mais le broyage peut prendre un certain temps, au cours de plusieurs utilisations. Passez à la section 3.

B. Raccordez le tuyau du lave-vaisselle à l'aide d'un collier de serrage. Si la taille du tuyau est différente, vous aurez besoin d'un kit de raccordement pour lave-vaisselle (voir 2B). Assurez-vous que tous les raccordements de plomberie sont bien serrés et conformes à tous les codes et ordonnances de plomberie. Faites couler l'eau et vérifiez les fuites.



### 3. INSTALLATION DE L'ENSEMBLE DE MONTAGE

VOTRE ÉLIMINATEUR EST LIVRÉ AVEC L'UN DES SUPPORTS SUIVANTS  
SYSTÈMES



Passez aux instructions correspondant à votre type de système de montage.

Système de montage à 3 boulons

À LIRE ENTIÈREMENT AVANT DE COMMENCER

REMARQUE : Faites très attention à l'ordre des pièces d'assemblage du support, car elles ont été correctement assemblées par l'usine. (Voir 3A et 3B.)

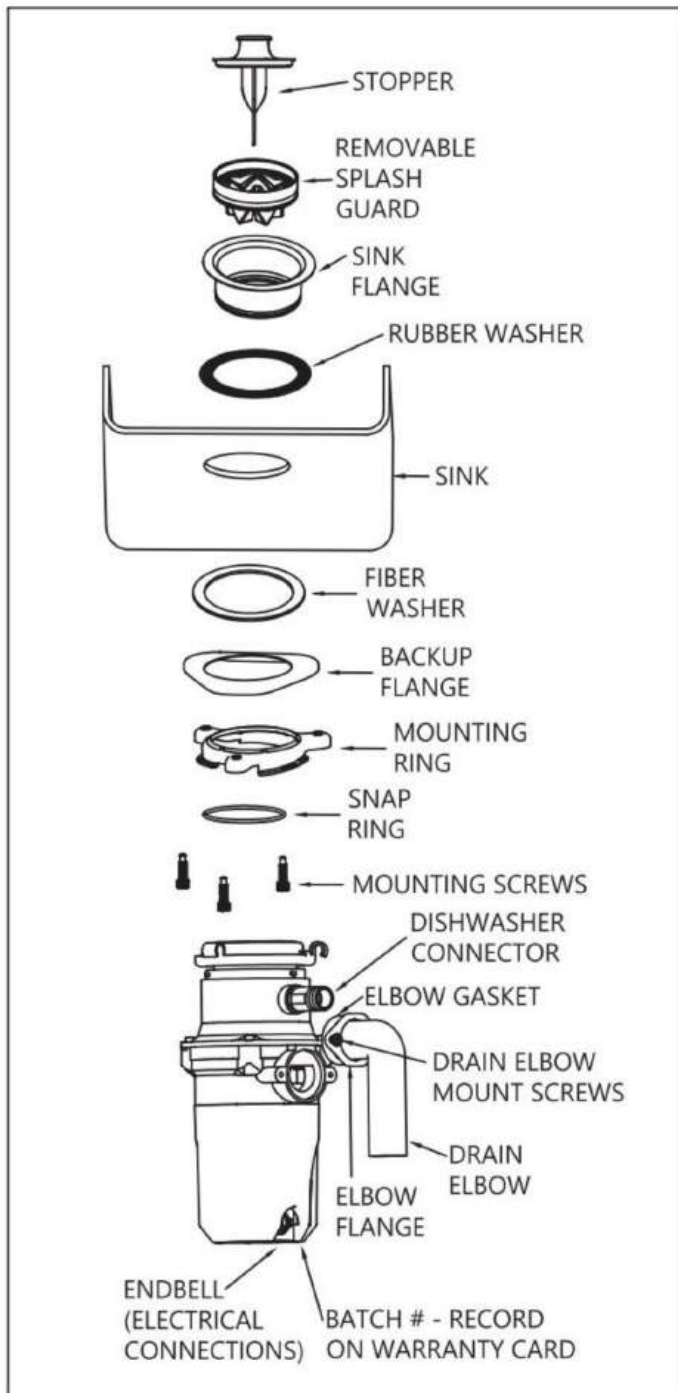
A. Démontez l'ensemble de montage tel qu'il a été livré en tournant la bride de l'évier jusqu'à ce que les projections s'alignent avec les encoches de l'anneau de montage et vous permettent de tirer la bride de l'évier vers le haut et de la sortir de l'ensemble de montage restant. Notez la séquence de ces pièces lorsqu'elles sont empilées et reportez-vous aux figures 3A et 3B pour identifier chaque pièce. Déballiez les 3 vis de montage et vissez-les à mi-chemin dans l'anneau de montage (notez que « CE CÔTÉ VERS LE HAUT » est imprimé sur le dessus de l'anneau de montage). Ensuite, empilez le joint en caoutchouc sur le dessus de l'anneau de protection et placez-les sur les extrémités pointues des vis de montage.

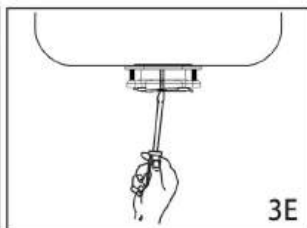
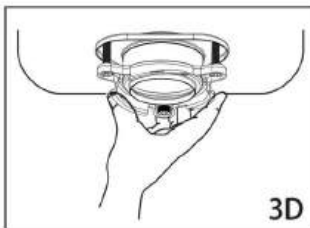
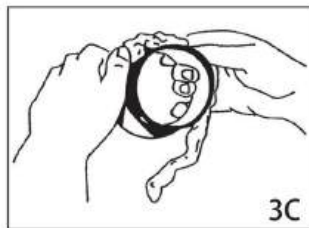
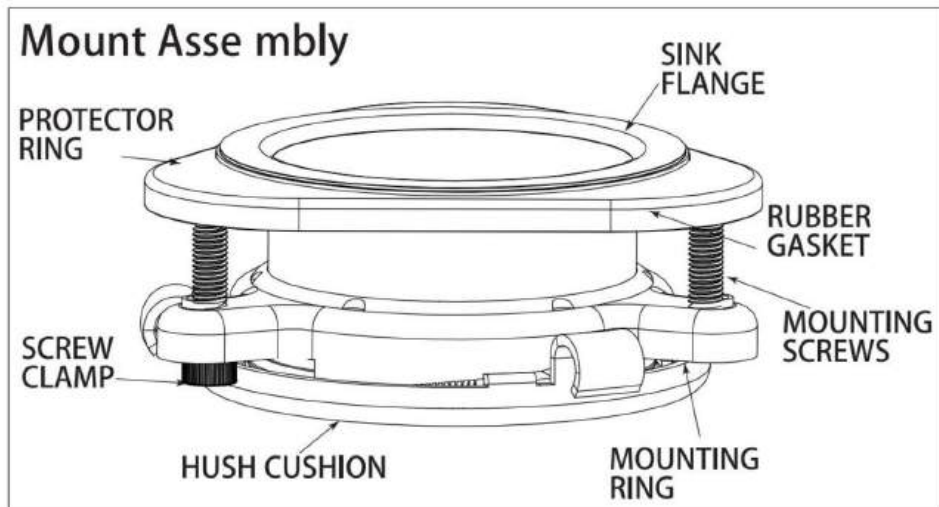
B. Conservez ces pièces assemblées ensemble et mettez-les de côté. Avant de connecter le broyeur à l'ensemble de montage sous l'évier, vous souhaitez peut-être vous entraîner à engager la rainure du coussin Hush dans la crête au bas de la bride de l'évier (voir 3A et lire la Sec. 6).

C. Assurez-vous que votre évier est propre. Remplissez le bord inférieur de la bride de l'évier avec du mastic de plombier (voir 3C). Positionnez la bride de l'évier de manière à ce qu'elle soit centrée et lisible lorsque vous regardez dans votre évier. Poussez fermement la bride de l'évier dans l'ouverture de l'évier pour assurer une bonne étanchéité. NE déplacez PAS et ne faites PAS pivoter la bride de l'évier une fois en place, sinon le joint risque d'être brisé.

D. Prenez la partie restante de l'assemblage de montage, telle qu'elle a été mise de côté et assurez-vous que le joint en caoutchouc est au-dessus de l'anneau de protection. Sous l'évier, tout en tenant fermement la bride de l'évier d'une main, alignez les encoches de l'anneau de montage avec les projections de la bride de l'évier. Faites glisser l'assemblage de montage vers le haut sur la bride de l'évier, au-delà des projections et faites faire un quart de tour à l'assemblage de montage, de sorte qu'il se suspende tout seul (voir 3D).

E. Serrez les 3 vis de montage uniformément à l'aide d'un tournevis (voir 3E). NE SERREZ PAS TROP ! Coupez l'excédent de mastic.





## Système de montage EZ

### LISEZ COMPLÈTEMENT AVANT DE COMMENCER

REMARQUE : Faites très attention à l'ordre des pièces d'assemblage du support, car elles ont été correctement assemblées par l'usine. Consultez également les détails du support de coussin dans l'illustration 3J ci-dessous pour l'orientation correcte du support de coussin.

REMARQUE : essayez de vous entraîner à cet assemblage avant de passer sous l'évier pour avoir une idée de la façon dont les pièces s'assemblent.

A. Démontez l'ensemble de montage du broyeur en tournant la bague de montage vers la gauche.

(dans le sens des aiguilles d'une montre) et retirez-le.

B. Soulevez la bague de montage vers le haut de la bride de l'évier. Retirez le support du coussin. Retirez la bague de montage. Vous souhaitez peut-être vous entraîner à installer le support de coussin à ce stade avant de vous retrouver sous l'évier. Voir paragraphe H. Voir également la « Remarque importante : Détail du support de coussin.

C. Dévissez la bague de support de la bride de l'évier et retirez le joint en fibre. Vous êtes maintenant gauche avec bride d'évier et joint en caoutchouc.

D. Le joint en caoutchouc est utilisé à la place du mastic de plombier avec les éviers en acier inoxydable.

D'autres éviers nécessiteront du mastic.

E. Si aucun mastic n'est utilisé, insérez la bride de l'évier à travers le joint en caoutchouc dans l'ouverture de l'évier.

Ne faites pas tourner la bride de l'évier une fois qu'elle est en place.

F. Si vous utilisez du mastic à la place du joint, formez un anneau autour du dessous de l'évier

bride. Insérez la bride dans l'ouverture de l'évier, appuyez fort pour faire sortir l'excédent

mastic. Sous l'évier, coupez l'excédent de mastic au ras du bord inférieur de l'évier

ouverture.

G. Depuis le dessous de l'évier, glissez le joint en fibre sur la bride d'évier exposée. Avec les flèches

pointant vers le haut, vissez la bague de support sur la bride de l'évier, serrez à la main jusqu'à ce que l'évier

la bride ne bouge pas (voir 3F). À ce stade, vous souhaitez peut-être insérer le bouchon dans l'évier

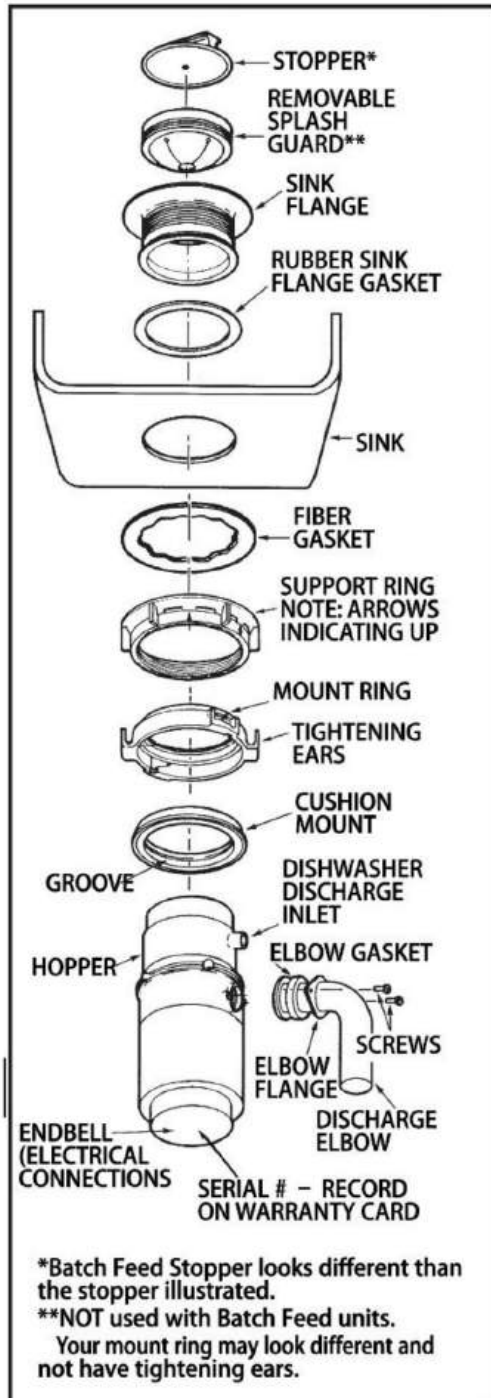
et remplissez d'eau pour vérifier la bride de l'évier et assurez-vous qu'il n'y a pas de fuites.

H. Placez la bague de montage sur la bride de l'évier et maintenez-la en place pendant l'installation du coussin

support (grand côté vers le bas) de sorte que la rainure à l'intérieur du support de coussin s'adapte sur la lèvre

sur la bride de l'évier, de la même manière que pour mettre le couvercle sur un récipient en plastique (voir 3G, 3H et 3J).

Veillez lire l'avis important ci-dessous.



\*Batch Feed Stopper looks different than the stopper illustrated.

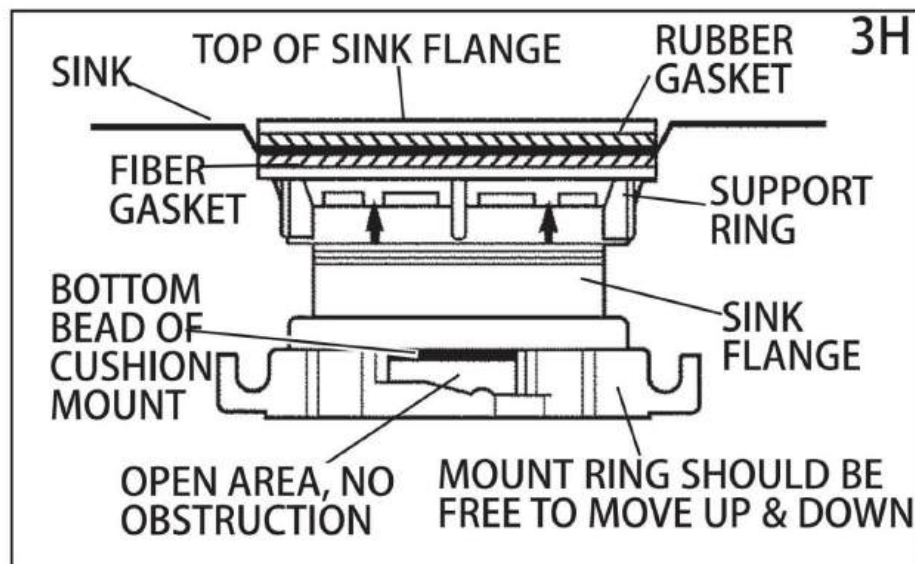
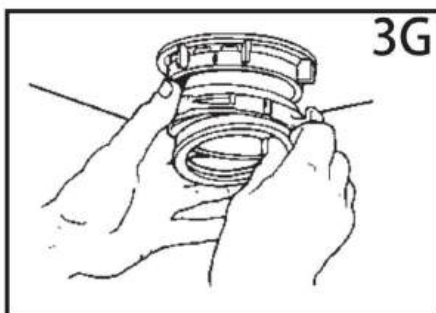
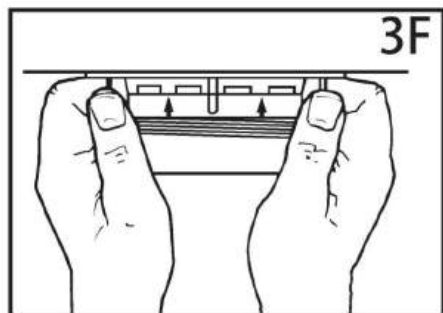
\*\*NOT used with Batch Feed units.

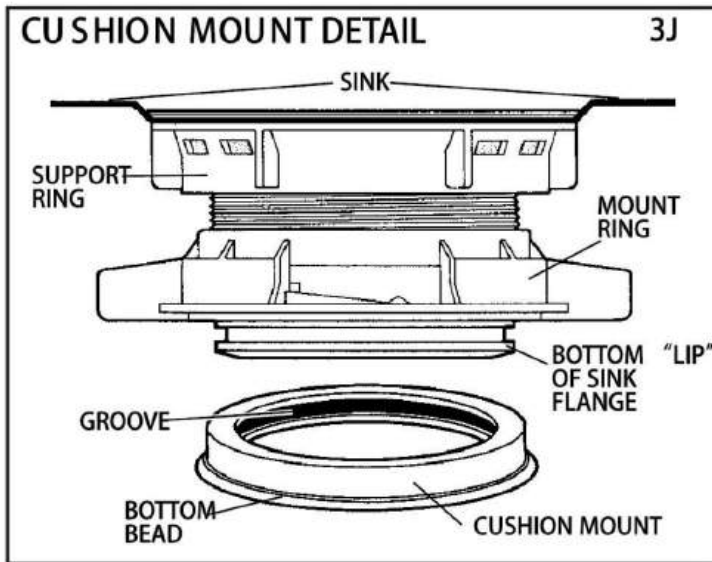
Your mount ring may look different and not have tightening ears.

## AVIS IMPORTANT : DÉTAIL DU SUPPORT DE COUSSIN

Lorsque le support de coussin est correctement installé, la lèvre de la bride en s'insère dans la rainure à l'intérieur du support de coussin et la bague de montage peut être tirée vers le bas sur le support de coussin et sera libre de tourner. Le bourrelet inférieur du coussin

Le support agit comme un joint entre le bas de la bride de l'évier et le haut du broyeur. Voir l'illustration 3J.





#### 4. CONNEXIONS ÉLECTRIQUES

Il est maintenant temps d'enregistrer le NUMÉRO DE SÉRIE (situé au bas de l'appareil) sur la carte de garantie.

SI VOUS N'ÊTES PAS FAMILIER AVEC L'ÉNERGIE ÉLECTRIQUE ET LES PROCÉDURES, ÉLECTRICIEN QUALIFIÉ CALLA

AVERTISSEMENT : CONNEXION INCORRECTE DU GROUPE D'ÉQUIPEMENT

LE CONDUCTEUR DE TENSION PEUT PROVOQUER UN RISQUE DE CHOC ÉLECTRIQUE. VÉRIFIER

AVEC UN ÉLECTRICIEN OU UN SERVICE AMÉLIORÉ SI VOUS AVEZ UN DOUTE

VÉRIFIER SI L'APPAREIL EST CORRECTEMENT MIS À LA TERRE. NE PAS

MODIFIEZ LA PRISE FOURNIE AVEC L'APPAREIL SI ELLE NE CONVIENT PAS

LA PRISE, FAITES INSTALLER UNE PRISE ADÉQUATE PAR UN PROFESSIONNEL QUALIFIÉ ÉLECTRICIEN.

#### INSTRUCTIONS DE MISE À LA TERRE

POUR LES DISPOSITIFS DE DÉCHETS ÉQUIPÉS D'UNE PRISE D'ALIMENTATION BROUILLARDÉE CORDE.

N'utilisez jamais ce produit chauffant avec :

Cet appareil doit être relié à la terre. En cas de dysfonctionnement ou de panne, la mise à la terre fournit un chemin de moindre résistance au courant électrique afin de réduire le risque de choc électrique. Cet appareil est équipé d'un cordon ayant une conducteur de mise à la terre de l'équipement et une fiche de mise à la terre. La fiche doit être branchée dans une prise appropriée qui est correctement installée et mise à la terre conformément avec tous les codes et ordonnances locaux.

**POUR LES ÉLIMINATEURS DE DÉCHETS NON ÉQUIPÉS D'UNE PRISE EN CHARGE TERRIBLE CORDON D'ALIMENTATION.**

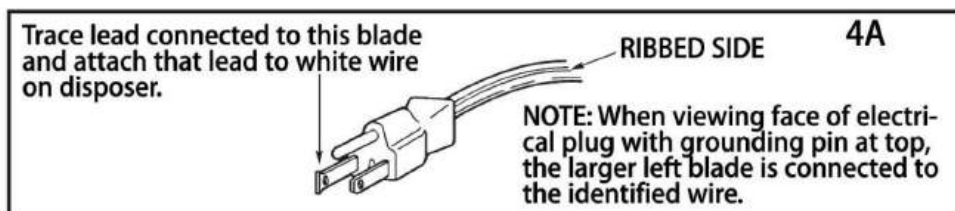
Cet appareil doit être relié à la terre. En cas de dysfonctionnement ou de panne, la mise à la terre fournit un chemin de moindre résistance au courant électrique afin de réduire le risque de choc électrique. Le cordon d'alimentation (à installer) doit être équipé d'un conducteur de mise à la terre et une fiche de mise à la terre. La fiche doit être branchée sur une prise appropriée qui est correctement installée et mise à la terre conformément à toutes les codes et ordonnances locaux.

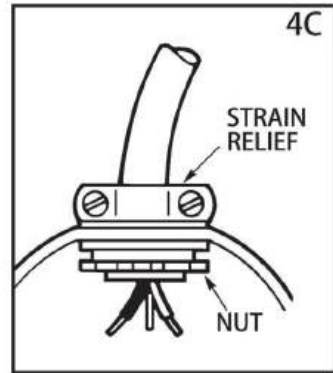
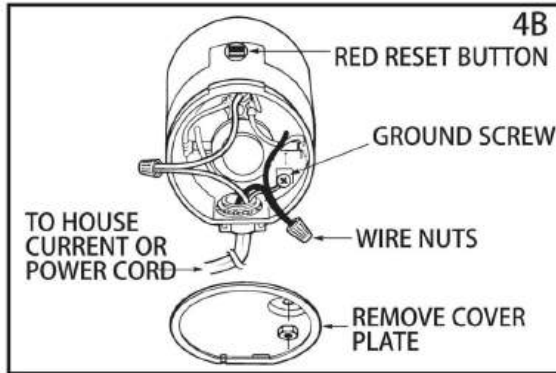
Débranchez l'alimentation électrique du circuit du broyeur avant l'installation. Mettez le circuit mettez le disjoncteur en position OFF ou retirez le fusible.

A. Branchez le broyeur uniquement sur un courant alternatif de 110-120 volts, 60 Hz.

B. Si vous utilisez un cordon d'alimentation, utilisez une fiche à trois broches (voir 4A). Le fil de terre doit être fixé à la vis de terre dans le bas de la cloche d'extrémité (voir 4B).

C. Utilisez un connecteur de décharge de traction à serre-câble à l'endroit où le cordon d'alimentation entre dans le disposer (see 4C).





Câblage du broyeur directement sur le courant de la maison Cet appareil doit être connecté à un système de câblage permanent en métal mis à la terre ou équipement. conducteur de mise à la terre doit être exécuté avec les conducteurs du circuit et connecté à la mise à la terre de l'équipement terminateur ou fil sur l'appareil.

A. Si vous utilisez un câble BX :

1. installez le connecteur de câble dans le trou.
2. Connectez le fil blanc au fil blanc du broyeur.
3. Connectez le noir.
4. Connectez la terre nue.

Si le câble BX n'est pas utilisé, prévoir un fil de terre séparé pour l'eau froide métallique la plus proche. tuyau ou autre sol approprié, en utilisant la vis au bas de la ceinture d'extrémité pour le fil de terre (voir 4C).

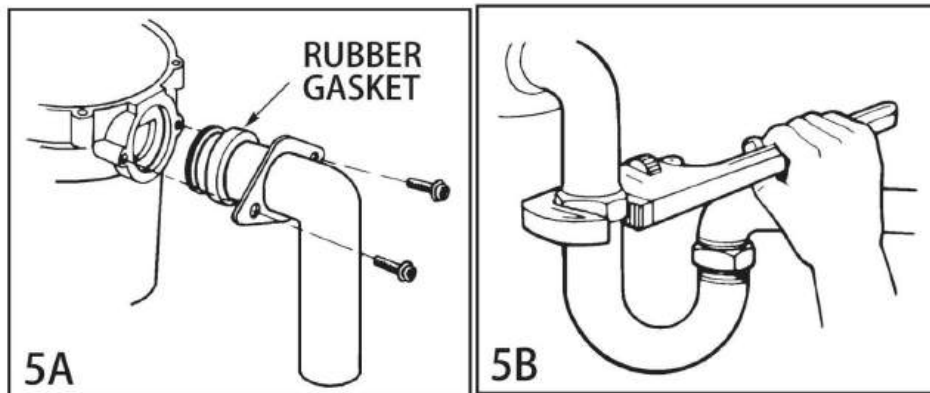
B. Si votre alimentation électrique n'inclut pas de fil de terre, vous devez en fournir un sauf si un câble métallique est utilisé. Fixez solidement un fil de cuivre à la terre du broyeur vissez et fixez l'autre extrémité du fil à un tuyau d'eau froide en métal. Utilisez uniquement du UL pince de terre approuvée. Si un tuyau en plastique est utilisé dans votre maison, un électricien qualifié devrait installer une mise à la terre appropriée.

## 5. FIXATION DU COUDE DE DÉCHARGE

A. Raccordez le coude d'évacuation au broyeur (voir 5A), passez à l'étape 6, puis relier le bas du coude en serrant l'écrou coulissant (voir 5B).

B. Si vous vous connectez à un lave-vaisselle, revenez à la section 2B. Sinon, assurez-vous que tous les raccords de plomberie sont serrés et conformes à tous les codes de plomberie et

ordonnances. Faites couler l'eau et vérifiez s'il y a des fuites.



## 6. RACCORDEMENT DU DISPOSITIF DE DÉCHET AU SUPPORT

MONTAGE À 3 BOULONS (Voir la section 3 pour votre type de montage.)

A. Appuyez fermement autour du coussin Hush pour vous assurer qu'il est engagé avec le cou de the disposer.

B. Lubrifiez la lèvre intérieure supérieure du coussin en caoutchouc Hush avec un savon liquide.

C. Alignez le coude de décharge du broyeur avec le siphon sous l'ensemble de montage.

Éliminez-le et engagez la rainure du coussin Hush autour de la crête au niveau du bas de la bride de l'évier (voir 6A et se référer à 3B). Tout en soutenant toujours le broyeur, serrez la vis de serrage autour du Hush Cushion. Le broyeur va maintenant s'accrocher tout seul.

D. Si vous devez tourner le broyeur, assurez-vous que la bride de l'évier ne tourne pas.

briser le joint créé lors de l'installation. Revenir aux étapes 5A et 5B.

**IMPORTANT – VEUILLEZ LIRE**

Ne retirez pas la pince du Hush Cushion ni le Hush Cushion de la trémie.

les pièces sont installées en usine et prêtes à être installées.

Lubrifiez la surface supérieure inclinée du coussin en caoutchouc Hush Cushion avec du savon liquide avant

Insérez le broyeur dans la bride de l'évier. Insérez la lèvre du coussin Hush dans la rainure de la bride de l'évier en effectuant un léger mouvement de bascule. Serrez la pince (voir 6B).

MONTAGE EZ (Voir la section 3 pour votre type de montage.)

A. Alignez le broyeur sous l'ensemble de montage. Guidez les projections de la trémie dans

fentes de la bague de montage. Tournez la bague de montage d'environ 1/4' vers la droite pour que le broyeur soit temporairement

pris en charge (voir 6C).

B. Tournez la bague de montage et le broyeur jusqu'à ce que le coude du broyeur soit aligné avec le siphon (voir 6D).

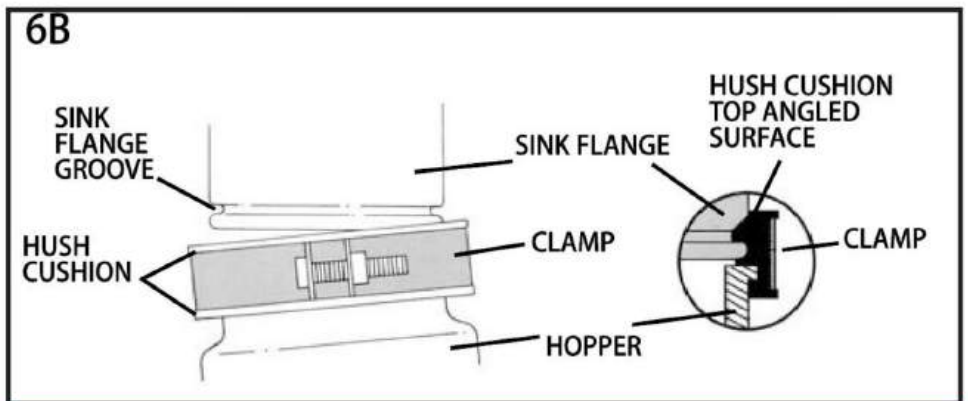
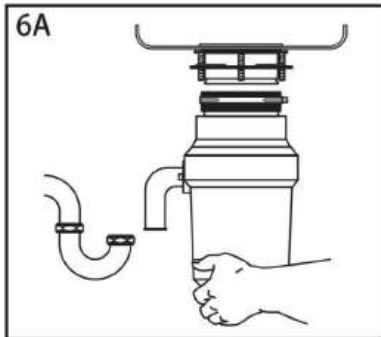
C. Tournez la bague de montage vers la droite (dans le sens inverse des aiguilles d'une montre) jusqu'à ce qu'elle se verrouille fermement. Appuyez sur la

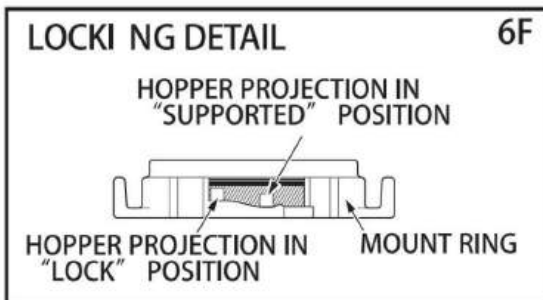
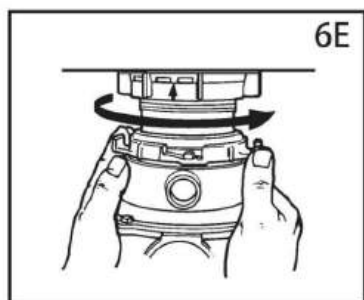
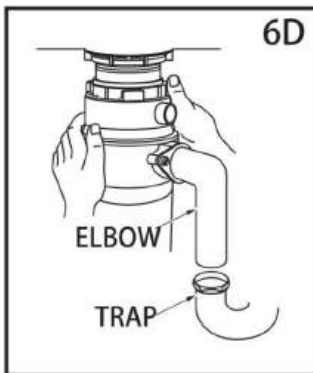
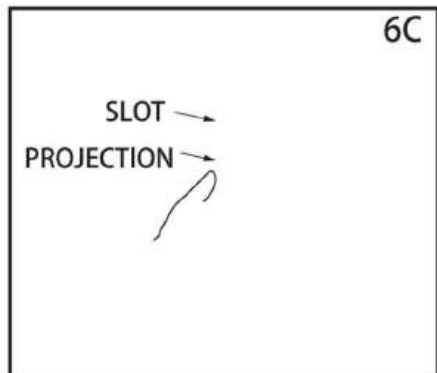
Montez les oreilles de l'anneau avec un marteau jusqu'à ce que la position de verrouillage soit atteinte.

les projections doivent être à l'extrême gauche des fentes de montage (voir 6E).

D. Si la bague de montage est difficile à tourner, vous pouvez ajouter une petite quantité de vaseline ou

savon liquide dans les projections de la trémie. Faites couler de l'eau et vérifiez s'il y a des fuites.





## 7. INSTRUCTIONS D'UTILISATION

Les turbines pivotantes anti-bourrage émettent un bruit de clic lorsqu'elles se mettent en place. indique un fonctionnement normal.

A. Retirez le bouchon de l'évier. Ouvrez l'eau froide à débit moyen.

B. Mettez l'interrupteur en position ON ; votre moteur tourne à pleine vitesse et est prêt à être utilisé.

C. Grattez les déchets alimentaires. Jetez dans les égouts les restes de table, les épluchures, les écorces, les graines, les noyaux, les petits os et le marc de café. Pour accélérer l'élimination des déchets alimentaires, coupez-les ou briser les gros os, les écorces et les épis. Les gros os et les cosses fibreuses nécessitent temps de broyage considérable et sont plus facilement jetés avec d'autres déchets.

ne vous inquiétez pas si le broyeur ralentit pendant le broyage. Le broyeur est augmente en fait le couple (puissance de meulage) et fonctionne dans des conditions normales conditions.

D. Avant d'éteindre le broyeur, laissez l'eau et le broyeur couler pendant environ 15 minutes. secondes après l'arrêt du broyage. Cela garantit que tous les déchets sont soigneusement évacués

à travers le siphon et le drain.

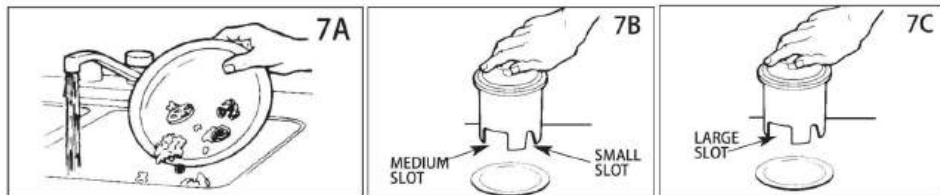
#### CONSEILS POUR UNE OPÉRATION RÉUSSIE

- A. Assurez-vous que le broyeur est vide avant d'utiliser votre lave-vaisselle afin qu'il puisse s'écouler correctement.
- B. Vous souhaitez peut-être laisser le bouchon dans le drain lorsqu'il n'est pas utilisé pour éviter les ustensiles et les objets étrangers ne tombent pas dans le broyeur.
- C. Votre broyeur est construit de manière robuste pour vous offrir de nombreuses années de service sans problème. traitera tous les déchets alimentaires normaux, mais il ne broiera ni n'éliminera PAS les articles tels que plastique, boîtes de conserve, capsules de bouteilles, verre, porcelaine, cuir, tissu, caoutchouc, ficelle, palourdes et coquilles d'huîtres, papier d'aluminium ou plumes.

#### INSTRUCTIONS D'UTILISATION DE L'ALIMENTATION PAR LOTS

Les turbines pivotantes anti-bourrage émettent un bruit de clic lorsqu'elles se mettent en place. indique un fonctionnement normal.

- A. Retirez le bouchon de l'évier et ouvrez un débit moyen d'eau froide.
- B. Jetez les déchets alimentaires. Les restes de table, les épluchures de légumes, les épis, les écorces, les noyaux, les os et le marc de café sont jetés dans les égouts (voir 7A).
- C. Insérez le bouchon pour démarrer le broyeur. (voir 7B) L'une des deux petites fentes du bouchon la base doit être alignée avec le piston de l'interrupteur à l'intérieur du col du broyeur. Appuyez vers le bas Appuyez fermement pour mettre le broyeur en marche. Soulevez le bouchon pour arrêter le broyeur.
- D. Faites fonctionner le broyeur pendant 15 secondes après l'arrêt du déchiquetage. Cela garantit que tous les déchets est soigneusement évacué par le drain.
- E. Pour remplir l'évier, insérez le bouchon et alignez la plus grande fente avec le piston de l'interrupteur. (voir 7C) Appuyez vers le bas pour sceller l'évier sans démarrer le broyeur. Lorsque la fente de taille moyenne (voir 7B) dans la base du bouchon est aligné avec le piston de l'interrupteur, l'eau peut s'écouler, mais la vaisselle, etc., ne peut pas être accidentellement jetée dans le broyeur.



## 8. DÉPANNAGE

Avant de rechercher une réparation ou un remplacement, nous vous recommandons de consulter les suivant.

**BRUITS FORTS :** (autres que ceux produits lors du broyage de petits os et de noyaux de fruits) :

Elles sont généralement causées par l'entrée accidentelle d'une cuillère, d'un bouchon de bouteille ou d'un autre objet.

corp étranger. Pour corriger cela, éteignez l'interrupteur électrique et l'eau. Une fois le broyeur terminé arrêté, retirez le pare-éclaboussures, retirez l'objet avec des pinces à long manche et

remplacer \*la protection anti-éclaboussures.

**L'APPAREIL NE DÉMARRE PAS :** Débranchez le cordon d'alimentation ou allumez l'interrupteur mural ou interrupteur du disjoncteur en position « OFF », selon votre modèle et votre câblage

configuration. Retirez le bouchon et/ou la protection anti-éclaboussures. Vérifiez si le plateau tournant tourner librement à l'aide d'un manche à balai en bois. Si le plateau tournant tourne librement,

remplacez le pare-éclaboussures et vérifiez le bouton de réinitialisation pour voir s'il a été déclenché. Réinitialiser le bouton est rouge et situé en face du coude de décharge, près du bas (voir 8A).

Appuyez sur le bouton jusqu'à ce qu'il s'enclenche et reste enfoncé.

Si le bouton de réinitialisation n'a pas été déclenché, vérifiez qu'il n'y a pas de fil de connexion court-circuité ou cassé. à éliminer. Vérifiez l'interrupteur d'alimentation électrique, la boîte à fusibles ou le disjoncteur. Si le câblage et les composants électriques sont intacts, l'appareil peut avoir des problèmes internes qui nécessitent service ou remplacement.

\* Protection anti-éclaboussures non utilisée sur l'unité Top Control/Batch Feed.

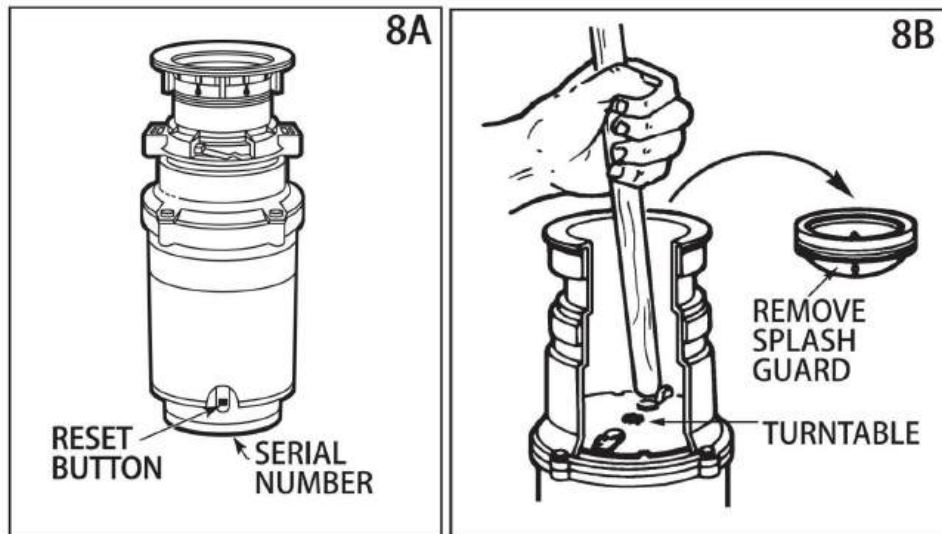
**SI LE PLATEAU TOURNANT NE TOURNE PAS LIBREMENT :** Éteignez le broyeur, puis vérifiez

tout objet étranger logé entre le plateau tournant et la bague de broyage. Déloger l'objet en table tournante avec un manche à balai en bois et retirer l'objet. (voir 8B) Si non

un objet étranger est présent, il peut y avoir des problèmes internes.

**FUITES :** Si l'appareil fuit par le haut, cela peut être dû à :

1. Mauvaise fixation de la bride de l'évier (centrage du joint, mastic ou serrage).
2. La bague de support n'est pas correctement serrée.
3. Support de coussin défectueux ou mal installé. Si l'appareil fuit au niveau du coude d'évacuation, la fuite peut être due à un serrage incorrect des vis de la bride du coude.



## 9. NETTOYAGE ET ENTRETIEN

10. Pour sécher en machine, placez votre produit dans une machine à laver et un sèche-linge à basse température, en dessous de 40 °C. Assurez-vous que le textile a suffisamment d'espace pour culbutter librement. Si la couverture est aspirée pendant le lavage, étirez-la doucement pendant qu'elle est encore humide jusqu'à ce qu'elle reprenne sa taille d'origine.

**N'ESSAYEZ PAS DE LUBRIFIER VOTRE DÉCHET !**

Le moteur est lubrifié en permanence. Le broyeur est autonettoyant et nettoie ses pièces internes à chaque utilisation.

NE JAMAIS mettre de lessive ou de nettoyeurs chimiques dans le broyeur, car ils provoquent une corrosion grave des pièces métalliques. En cas d'utilisation, les dommages qui en résultent peuvent être facilement détectés et toutes les garanties sont annulées. Des dépôts minéraux de votre eau peuvent se former sur le plateau tournant en acier inoxydable, donnant l'apparence de rouille. **NE VOUS ALARMEZ PAS**, les platines en acier inoxydable utilisées ne se corrodent pas.

## Spécifications du produit

Modèle	Saisir	Noté pouvoir	Mode d'installation	Type de moteur
JW-301	120 Vca/60 Hz	1/2 CV	Type de verrouillage par torsion installation	Moteur à courant continu
JW-301DCN	220-240 Vca, 50 Hz 1 CV	1/2 CV	Type de verrouillage par torsion installation	Moteur à courant continu
JWM-331	120 Vca/60 Hz	1/2 CV	Moteur à courant continu à	montage à 3 boulons
JWM-331DCN	220-240 Vca, 50 Hz 1 CV	1/2 CV	Moteur à courant continu à	montage à 3 boulons
JWM-V50	120 Vca/60 Hz	3/4 CV	Moteur à courant continu à	montage à 3 boulons
JWM-V50A	220-240 Vca, 50 Hz 1 CV	3/4 CV	Moteur à courant continu à	montage à 3 boulons
JW-V50	120 Vca/60 Hz	3/4 CV	Type de verrouillage par torsion installation	Moteur à courant continu
JW-V50A	220-240 Vca, 50 Hz 1 CV	3/4 CV	Moteur à courant continu à	montage à 3 boulons
JW-731	120 Vca/60 Hz	1 CV	Type de verrouillage par torsion installation	Moteur à courant continu
JW-731DCN	220-240 Vca, 50 Hz 1 CV	1 CV	Moteur à courant continu à	montage à 3 boulons
JWM-931	120 Vca/60 Hz	1,25 CV	Type de verrouillage par torsion installation	Moteur à courant continu
JWM-931DCN	220-240 Vca, 50 Hz 1 CV	Moteur à courant continu de 1,25 CV avec		montage à 3 boulons

**VEVOR<sup>®</sup>**

**TOUGH TOOLS, HALF PRICE**

Assistance technique et certificat de garantie  
électronique [www.vevor.com/support](http://www.vevor.com/support)

# **VEVOR<sup>®</sup>**

## **TOUGH TOOLS, HALF PRICE**

Technischer Support und E-Garantie-Zertifikat [www.vevor.com/support](http://www.vevor.com/support)

### **Müllentsorgung**

**Modell: JW-301 / JW-301DCN / JWM-331 /  
JWM-331DCN/JWM-V50/JWM-V50A/JW-V50/JW-V50A  
/JW-731/JW-731DCN/JWM-931/JWM-931DCN**

Wir sind weiterhin bestrebt, Ihnen Werkzeuge zu wettbewerbsfähigen Preisen anzubieten. „Sparen Sie die Hälfte“, „Halber Preis“ oder andere ähnliche Ausdrücke, die wir verwenden, stellen nur eine Schätzung der Ersparnis dar, die Sie beim Kauf bestimmter Werkzeuge bei uns im Vergleich zu den großen Topmarken erzielen können, und decken nicht unbedingt alle von uns angebotenen Werkzeugkategorien ab. Wir möchten Sie freundlich daran erinnern, bei Ihrer Bestellung bei uns sorgfältig zu prüfen, ob Sie im Vergleich zu den großen Topmarken tatsächlich die Hälfte sparen.

# VEVOR®

TOUGH TOOLS, HALF PRICE

Müllentsorgung  
Bedienungsanleitung



JW-301



JW-301DCN



JWM-331



JWM-331DCN



JWM-V50



JWM-V50A



JW-V50



JW-V50A



JW-731



JW-731DCN



JWM-931



JWM-931DCN

## Brauchen Sie Hilfe? Kontaktieren Sie uns!

Haben Sie Fragen zu den Produkten? Benötigen Sie technischen Support? Kontaktieren Sie uns

uns:

**Technischer Support und E-Garantie-Zertifikat**

**[www.vevor.com/support](http://www.vevor.com/support)**

Dies ist die Originalanleitung. Bitte lesen Sie alle Anweisungen im Handbuch sorgfältig vor der Inbetriebnahme. VEVOR behält sich eine klare Auslegung unserer Benutzerhandbuch. Das Erscheinungsbild des Produkts unterliegt den Produkt, das Sie erhalten haben. Bitte haben Sie Verständnis, dass wir Sie nicht erneut informieren, wenn es gibt Technologie- oder Software-Updates für unser Produkt.

### Bitte lesen Sie diese Anleitung vor der Inbetriebnahme sorgfältig durch!

**WARNUNG - Bei der Verwendung von Lebensmittelabfallzerkleinerern sind immer grundlegende Vorsichtsmaßnahmen zu beachten zu befolgen, einschließlich der folgenden Punkte:**

- 1) Lesen Sie vor der Verwendung des Entsorgers alle Anweisungen.
- 2) Um das Verletzungsrisiko zu verringern, ist eine genaue Überwachung erforderlich, wenn ein Entsorger in der Nähe von Kindern verwendet werden.
- 3) Stecken Sie weder Finger noch Hände in den Entsorger.
- 4) Schalten Sie den Netzschalter auf die Position „Aus“, bevor Sie versuchen, einen Papierstau zu beheben oder Entfernen Sie ein Objekt aus dem Entsorger.
- 5) Wenn Sie versuchen, eine Verstopfung in einem Entsorger zu lösen, verwenden Sie einen langen Holzgegenstand wie wie ein Holzlöffel oder der Holzstiel eines Besens oder Wischmopps.
- 6) Wenn Sie versuchen, Gegenstände aus einem Entsorger zu entfernen, verwenden Sie eine Zange mit langem Griff oder Zange. Verwenden Sie für einen magnetisch betätigten Entsorger nicht magnetische Werkzeuge.
- 7) Um das Risiko von Verletzungen durch Materialien zu verringern, die durch einen Entsorger ausgeworfen werden können, geben Sie Folgendes in einen Entsorger:
  - a) Muschel- oder Austerschalen. b) Ätzende Abflussreiniger oder ähnliche Produkte. c) Glas, Porzellan oder Kunststoff. d) Große ganze Knochen. e) Metall, wie Flaschenverschlüsse, Blechdosen oder Besteck
  - f) Heißes Fett oder andere heiße Flüssigkeiten.

8) Wenn Sie den Entsorger nicht in Betrieb haben, lassen Sie den Abflusdeckel angebracht, um die Gefahr zu verringern, dass Gegenstände in den Entsorger fallen.

## ERDUNGSANLEITUNG

Dieser Entsorger muss geerdet werden, um das Risiko eines Stromschlags im Falle einer Fehlfunktion oder eines Ausfalls zu verringern. Die Erdung bietet dem elektrischen Strom den Weg des geringsten Widerstands. Dieser Entsorger ist mit einem Kabel mit einem Erdungsleiter und einem Erdungsstecker ausgestattet. Der Stecker muss in eine Steckdose eingesteckt werden, die ordnungsgemäß installiert und gemäß allen örtlichen Vorschriften und Verordnungen geerdet ist. **WARNUNG** – Ein unsachgemäßer Anschluss des Erdungsleiters kann zu einem Stromschlagrisiko führen. Wenden Sie sich an einen qualifizierten Elektriker oder Servicetechniker, wenn Sie Zweifel haben, ob der Entsorger ordnungsgemäß geerdet ist. Wenn der mit dem Entsorger gelieferte Stecker nicht in die Steckdose passt, ändern Sie weder den Stecker noch das Gerät.

**Spezifische Informationen zu Ihrem neuen Entsorger finden Sie in der Beilage.** Stecken Sie den Controller in die Wand. Nachdem Sie das Netzkabel ordnungsgemäß an den Stecker angeschlossen haben, stecken Sie Ihr Heizkissen in die Wand.

### **NOTIZ:**

Dieser Lebensmittelabfallzerkleinerer ist ausschließlich für den Betrieb mit 120/240 Volt, 60/50 Hz ausgelegt.

Die Verwendung einer anderen Spannung oder Hz beeinträchtigt die Leistung.

### **WICHTIG:**

Lesen Sie alle Anweisungen gründlich durch und bewahren Sie diese Anleitung zum späteren Nachschlagen auf.

### **VORSICHT:**

Lesen Sie unbedingt zuerst die Sicherheitshinweise bezüglich der Gefahr von **FEUER, ELEKTRISCH**

**VORSICHT:** Vor der Verwendung des Entsorgers ist eine Gefahr von Stromschlägen oder Verletzungen zu vermeiden.

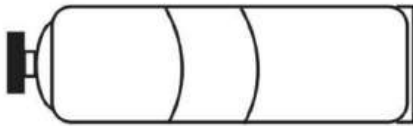
## Werkzeuge und Materialien, die Sie möglicherweise benötigen



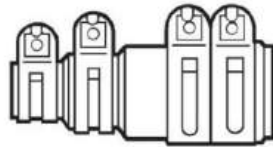
PHILLIPS & FLATBLADE  
SCREWDRIVER



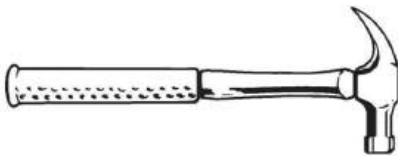
HACKSAW



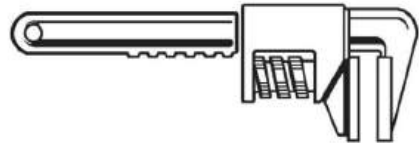
PLUMBER' S PUTTY



DISHWASHER CONNECTOR KIT



HAMMER



PIPE WRENCH



DOWEL OR  
STEEL PUNCH



POWER CORD



STRAIN RELIEF

## WICHTIGE SICHERHEITSHINWEISE

HINWEISE ZUR GEFAHR VON BRAND, ELEKTRISCHEM SCHLAG ODER  
VERLETZUNGEN VON PERSONEN. BEWAHREN SIE DIESE ANWEISUNGEN AUF.

WARNUNG - Beim Gebrauch von Elektrogeräten sollten immer grundlegende Vorsichtsmaßnahmen getroffen werden.

befolgt, einschließlich der folgenden:

1. Lesen Sie vor der Verwendung des Geräts alle Anweisungen.
2. Um das Verletzungsrisiko zu verringern, ist eine genaue Überwachung erforderlich, wenn ein Gerät in der Nähe von Kindern verwendet werden.
3. Stecken Sie weder Finger noch Hände in den Abfallzerkleinerer.
4. Schalten Sie den Netzschalter auf Aus, bevor Sie versuchen, einen Papierstau zu beheben oder Entfernen Sie ein Objekt aus dem Entsorger.
5. Wenn Sie versuchen, eine Verstopfung in einem Abfallzerkleinerer zu lösen, verwenden Sie einen langen Holzgegenstand wie etwa ein Holzlöffel oder der Holzstiel eines Besens oder Wischmopps.
6. Wenn Sie versuchen, Gegenstände aus einem Abfallzerkleinerer zu entfernen, verwenden Sie einen langstieligen Zangen oder Zangen. Wenn der Entsorger magnetisch betätigt wird, sollten nicht magnetische Werkzeuge verwendet werden.
7. Um das Risiko einer Verletzung durch Materialien zu verringern, die durch einen Abfall Entsorger, werfen Sie Folgendes nicht in einen Entsorger: Muschel- oder Austernschalen; ätzende Abflussreiniger oder ähnliche Produkte; Glas, Porzellan oder Kunststoff; große ganze Knochen; Metall, wie Flaschenverschlüsse, Blechdosen, Aluminiumfolie oder Utensilien; heißes Fett oder andere heiße Flüssigkeiten; ganze Maishülsen.
8. Wenn Sie den Entsorger nicht in Betrieb nehmen, lassen Sie den Stopfen an Ort und Stelle, um das Risiko von Gegenständen, die in den Entsorger fallen.
9. Betreiben Sie den Entsorger NICHT, wenn kein Spritzschutz angebracht ist. (Gilt nicht für die Top Control/Batch Feed-Einheiten.)
10. Anweisungen zur richtigen Erdung finden Sie im Abschnitt ELEKTRISCHER ANSCHLUSS. Abschnitt dieses Handbuchs.

## 1. ENTFERNUNG DER ALTEN EINHEIT

TYPISCHE ANWEISUNGEN, IHR MODELL KANN ABWEICHEN.

Bevor Sie mit diesem Schritt beginnen, schalten Sie den Strom am Leistungsschalter oder Sicherungskasten ab.

Wenn Ihre alte Halterung mit der Halterung Ihres neuen Entsorgers identisch ist, kehren Sie einfach die

Montageanleitung finden Sie in Abschnitt 3. Wenn Ihr neues Montagesystem anders ist,

**Befolgen Sie diese Anweisungen:**

A. Verwenden Sie einen Rohrschlüssel, um die Abflussleitung an der Stelle zu trennen, an der sie an den Entsorger angeschlossen ist.

Entladungsrohr (siehe 1A).

B. Entfernen Sie den Entsorger vom Spülbeckenflansch, indem Sie den Montagering im Uhrzeigersinn nach links drehen.

(siehe 1B). Wenn Sie den Montagering nicht drehen können, tippen Sie auf eine der Verlängerungen mit einem Hammer vom Ring abschlagen. Manche Befestigungssysteme verfügen über rohrförmige Verlängerungen. Das Einführen eines Schraubendrehers in ein Rohr bietet zusätzliche Hebelwirkung zum Drehen des Montagering (siehe 1B). Bei manchen Entsorgern kann das Entfernen oder Lösen von Muttern erforderlich sein von den Befestigungsschrauben (siehe 1C). Bei einigen Entsorgern kann die Entfernung eines Klemme.

**Achtung:** Achten Sie darauf, den Entsorger während der Durchführung dieses Schritts zu stützen, da er sonst herunterfallen kann. wenn der Montagering von der Montagebaugruppe getrennt wird. Wenn Ihr

Der Entsorger ist fest verdrahtet (metallgeschirmtes Kabel ohne Wandstecker), komplett

Schritte C und D. Wenn Sie ein Steckkabel verwenden, fahren Sie mit Schritt E fort.

C. Wenn der Entsorger entfernt ist, drehen Sie ihn um und entfernen Sie die elektrische Abdeckung Platte (siehe 1D).

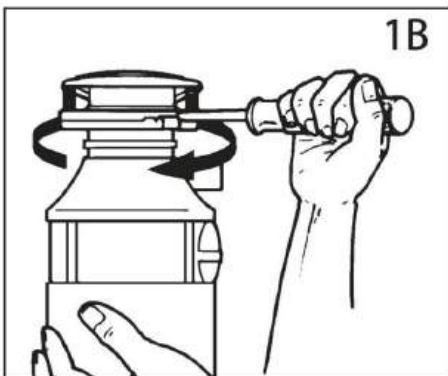
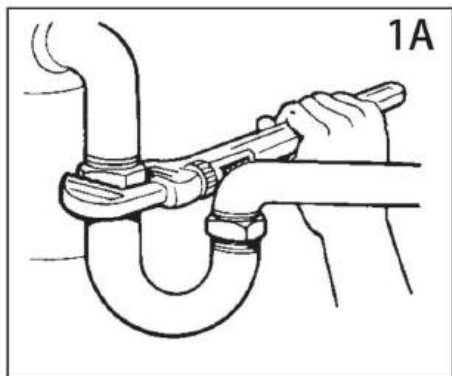
D. Entfernen Sie mit einem Schraubendreher das grüne Erdungskabel. Entfernen Sie die Drahtmutter vom schwarzen und weiße Stromkabel und trennen Sie Entsorgungskabel von Stromkabelkabeln.

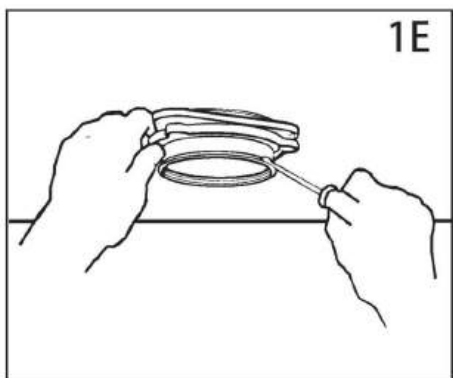
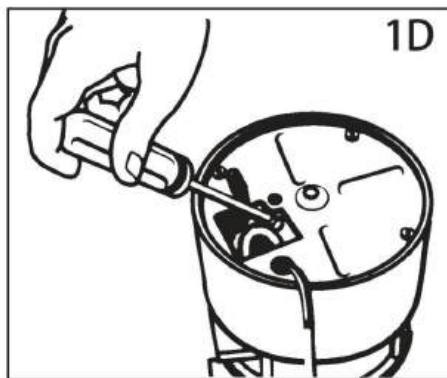
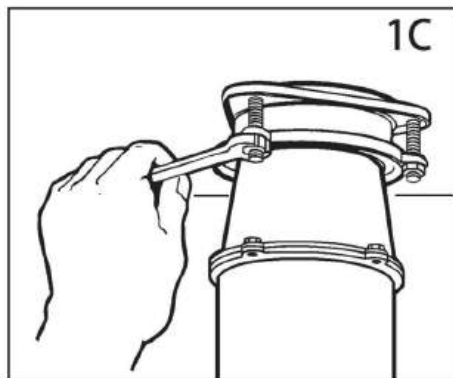
Schrauben an der Kabelklemme lösen und Kabel vom Entsorger trennen.

E. Um das restliche Befestigungssystem vom Spülbecken zu entfernen, lösen Sie die Befestigungsschrauben, drücken Sie Montagering nach oben. Darunter befindet sich der Sicherungsring. Verwenden Sie einen Schraubendreher, um den Ring abzuheben (siehe 1E). Entfernen Sie den Montagering, den Schutzring und die Dichtung vom Spülbeckenflansch. Einige Halterungen werden erfordern das Abschrauben eines großen Rings, der den Spülbeckenflansch an Ort und Stelle hält. Ziehen Sie das Spülbecken Flansch durch das Spülbecken nach oben und alte Kittmasse vom Spülbecken entfernen.

**WICHTIG: Sofern Sie kein neues Zuhause haben, ist dies ein guter Zeitpunkt zum Ausmisten**

**Reinigen Sie die Siphon- und Abflussleitungen mit einer Rohrreinigungsspirale oder einer Rohrreinigungsspirale, bevor Installation Ihres neuen Entsorgers.**





## 2. Spülmaschinenanschluß

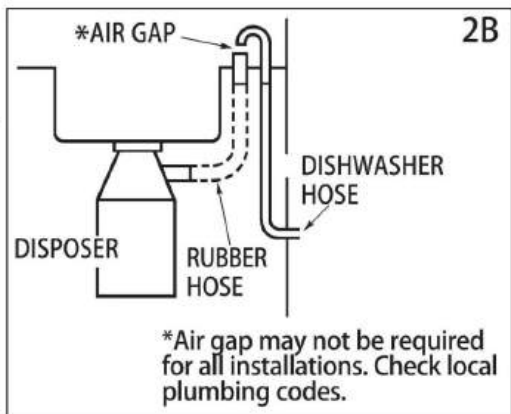
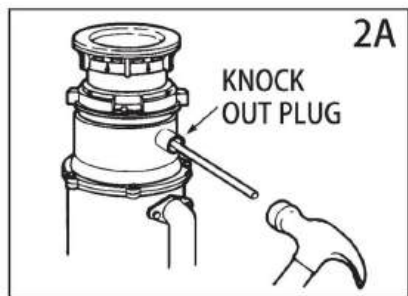
Wenn Sie eine Geschirrspülmaschine verwenden, führen Sie das folgende Verfahren aus. Wenn keine Geschirrspülmaschine angeschlossen werden soll, fahren Sie mit Abschnitt 3 fort.

A. Mit einem stumpfen Gegenstand (Stahldorn oder Holzdübel) den gesamten Stopfen herausschlagen (siehe 2A).

Verwenden Sie keinen Schraubenzieher oder scharfen Gegenstand. Wenn der Stopfen in den Entsorger fällt, können Sie ihn entfernen oder ihn bei der Verwendung des Entsorgers einfach zermahlen. Dadurch wird der Entsorger in keiner Weise beschädigt, aber das Zermahlen kann im Laufe mehrerer Verwendungen einige Zeit in Anspruch nehmen.

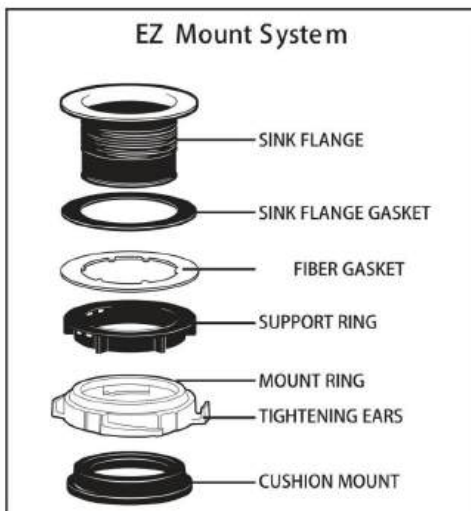
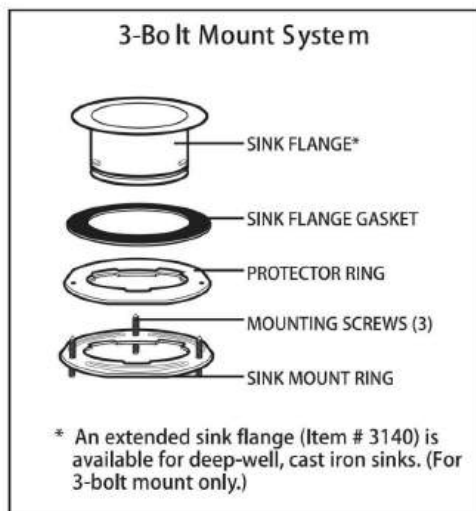
Gehen Sie zu Abschnitt 3.

B. Schließen Sie den Geschirrspülerschlauch mit einer Schlauchschelle an. Wenn die Schlauchgröße unterschiedlich ist, benötigen Sie ein Geschirrspüler-Anschlusset (siehe 2B). Stellen Sie sicher, dass alle Sanitäranschlüsse dicht sind und allen Sanitärvorschriften und -verordnungen entsprechen. Lassen Sie Wasser laufen und auf Lecks prüfen.



### 3. MONTAGE DER MONTAGEBAUGRUPPE

IHR ENTSORGER WIRD MIT EINER DER FOLGENDEN HALTERUNGEN GELIEFERT SYSTEME



Fahren Sie mit den Anweisungen für Ihren Montagesystemtyp fort.

### 3-Schrauben-Montagesystem

VOR DEM START VOLLSTÄNDIG LESEN

**HINWEIS:** Achten Sie genau auf die Reihenfolge der Montageteile, da diese im Werk korrekt zusammengebaut wurden. (Siehe 3A und 3B.)

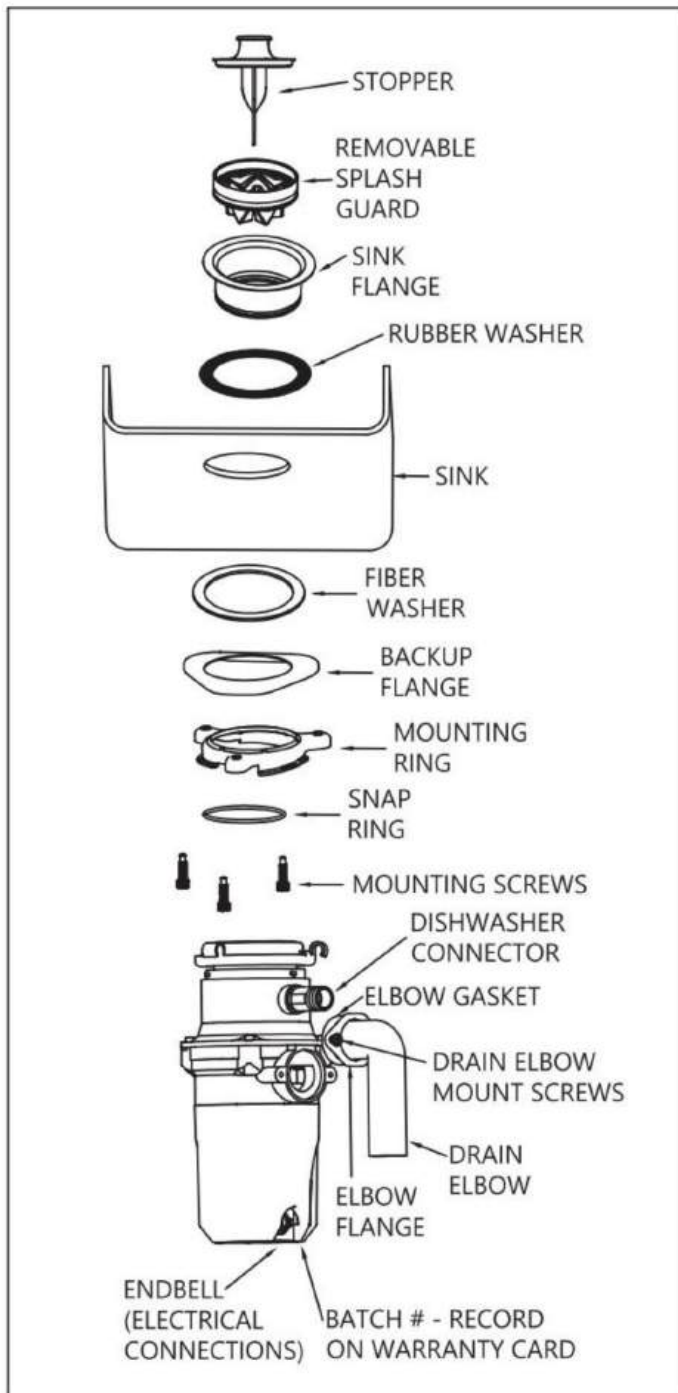
A. Demontieren Sie die Montagebaugruppe, wie sie geliefert wurde, indem Sie den Spülbeckenflansch drehen, bis die Vorsprünge mit den Kerben im Montagering übereinstimmen und Sie den Spülbeckenflansch nach oben und aus der verbleibenden Montagebaugruppe herausziehen können. Beachten Sie die Reihenfolge dieser Teile, wenn sie gestapelt sind, und beziehen Sie sich auf 3A und 3B, um jedes Teil zu identifizieren. Packen Sie die 3 Montageschrauben aus und schrauben Sie sie halb durch den Montagering (beachten Sie, dass „DIESE SEITE NACH OBEN“ auf der Oberseite des Montagerings aufgedruckt ist). Stapeln Sie als Nächstes die Gummidichtung auf den Schutzring und setzen Sie sie auf die spitzen Enden der Montageschrauben.

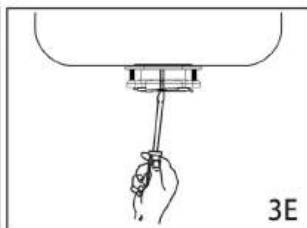
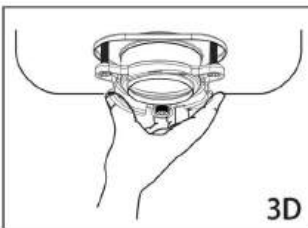
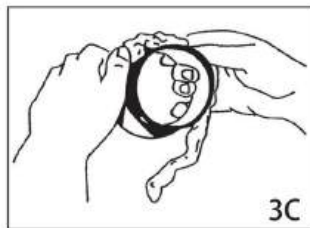
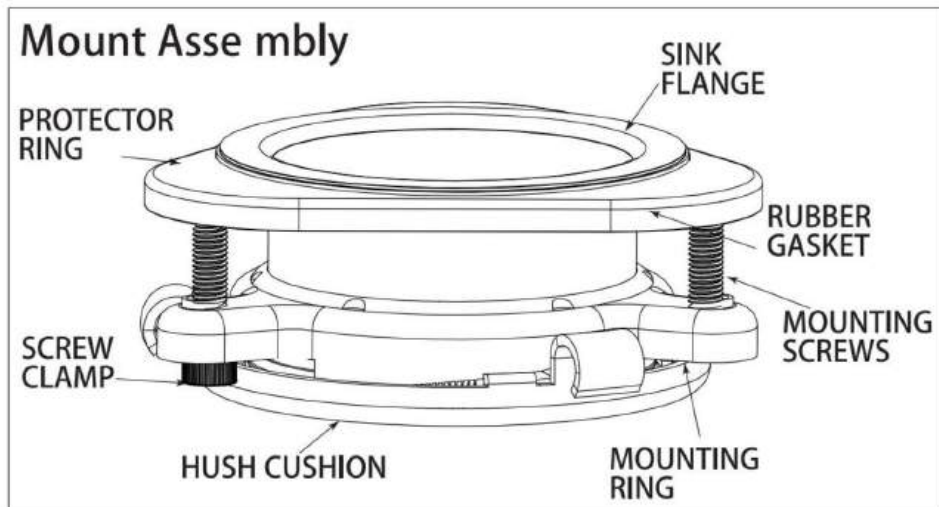
B. Bewahren Sie diese zusammengebauten Teile zusammen auf und legen Sie sie beiseite. Bevor Sie den Entsorger an die Halterung unter der Spüle anschließen, sollten Sie üben, die Nut des Hush Cushion in die Kante an der Unterseite des Spülbeckenflansches einzurasten (siehe 3A und lesen Sie Abschnitt 6).

C. Stellen Sie sicher, dass Ihr Spülbecken sauber ist. Füllen Sie den unteren Rand des Spülbeckenflansches mit Klempnerkitt (siehe 3C). Positionieren Sie den Spülbeckenflansch so, dass er zentriert und lesbar ist, wenn Sie in Ihr Spülbecken schauen. Drücken Sie den Spülbeckenflansch fest in die Spülbeckenöffnung, um eine gute Abdichtung zu erzielen. Bewegen oder drehen Sie den Spülbeckenflansch NICHT, wenn er einmal eingesetzt ist, da sonst die Abdichtung beschädigt werden könnte.

D. Nehmen Sie den verbleibenden Teil der Halterung, wie er beiseite gelegt wurde, und stellen Sie sicher, dass die Gummidichtung oben auf dem Schutzring liegt. Halten Sie den Spülbeckenflansch mit einer Hand fest und richten Sie die Kerben im Montagering mit den Vorsprüngen des Spülbeckenflansches aus. Schieben Sie die Halterung nach oben auf den Spülbeckenflansch, vorbei an den Vorsprüngen, und drehen Sie die Halterung um eine Vierteldrehung, sodass sie von selbst hängt (siehe 3D).

E. Ziehen Sie die 3 Befestigungsschrauben gleichmäßig mit einem Schraubendreher fest (siehe 3E). NICHT ZU FEST ZIEHEN! Überschüssigen Kitt abschneiden.





## EZ-Montagesystem

### VOR DEM START VOLLSTÄNDIG LESEN

**HINWEIS:** Achten Sie genau auf die Reihenfolge der Montageteile, da diese wurde im Werk korrekt montiert. Beachten Sie auch die Einzelheiten zur Kissenmontage. Die richtige Ausrichtung der Kissenhalterung finden Sie in Abbildung 3J unten.

**HINWEIS:** Üben Sie den Zusammenbau, bevor Sie sich unter die Spüle setzen, um ein „Gefühl“ dafür zu bekommen, wie die Teile zusammenpassen.

A. Demontieren Sie die Halterung vom Entsorger, indem Sie den Halterungsring nach links drehen (im Uhrzeigersinn) und entfernen.

B. Heben Sie den Montagering in Richtung der Oberseite des Spülbeckenflansches. Entfernen Sie die Polsterhalterung. Entfernen Sie Montagering. Sie können an dieser Stelle die Installation der Kissenhalterung üben bevor Sie unter der Spüle sind. Siehe Abschnitt H. Siehe auch „Wichtiger Hinweis: Kissenhalterung im Detail.“

C. Stützring vom Spülbeckenflansch abschrauben und Faserdichtung entfernen. Sie sind jetzt

links mit Spülbeckenflansch und Gummidichtung.

D. Die Gummidichtung wird bei Edelstahlspülen anstelle von Klempnerkitt verwendet.

Für andere Spülbecken ist Kitt erforderlich.

E. Wenn kein Kitt verwendet wird, stecken Sie den Spülbeckenflansch durch die Gummidichtung in die Spülbeckenöffnung.

Drehen Sie den Spülbeckenflansch nicht, sobald er eingesetzt ist.

F. Wenn Sie anstelle der Dichtung Kitt verwenden, formen Sie einen Ring um die Unterseite des Spülbeckens

Flansch. Führen Sie den Flansch in die Spülöffnung ein und drücken Sie fest nach unten, um überschüssiges

Kitt. Schneiden Sie überschüssigen Kitt unter der Spüle ab, bis er bündig mit der Unterkante der Spüle abschließt.

Öffnung.

G. Schieben Sie die Faserdichtung von unterhalb der Spüle auf den freiliegenden Spülbeckenflansch. Mit Pfeilen

Den Stützring mit der Spitze nach oben auf den Spülbeckenflansch schrauben und mit der Hand festziehen, bis das Spülbecken

Flansch bewegt sich nicht (siehe 3F). An diesem Punkt möchten Sie möglicherweise einen Stopfen in die Spüle einsetzen

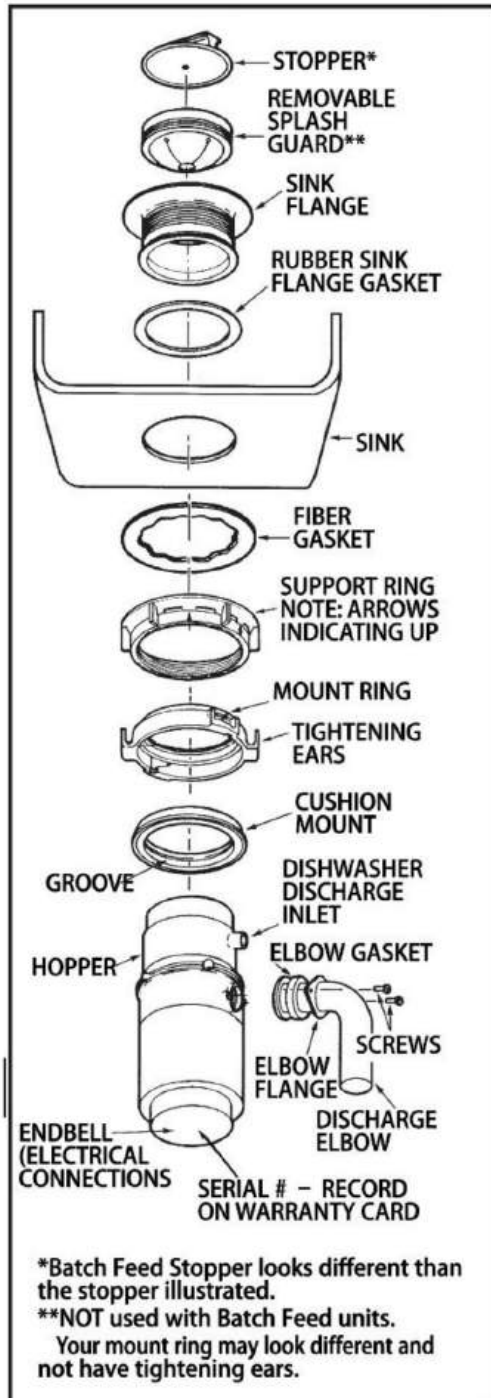
und mit Wasser füllen, um die Dichtheit des Spülbeckenflansches zu prüfen und sicherzustellen, dass keine Lecks vorhanden sind.

H. Platzieren Sie den Montagerring über dem Spülbeckenflansch und halten Sie ihn fest, während Sie das Kissen installieren.

Halterung (große Seite nach unten), sodass die Nut an der Innenseite der Kissenhalterung über die Lippe passt

auf dem Spülbeckenflansch, ähnlich wie das Aufsetzen des Deckels auf einen Plastikbehälter (siehe 3G, 3H und 3J).

Bitte lesen Sie den wichtigen Hinweis unten.



\*Batch Feed Stopper looks different than the stopper illustrated.

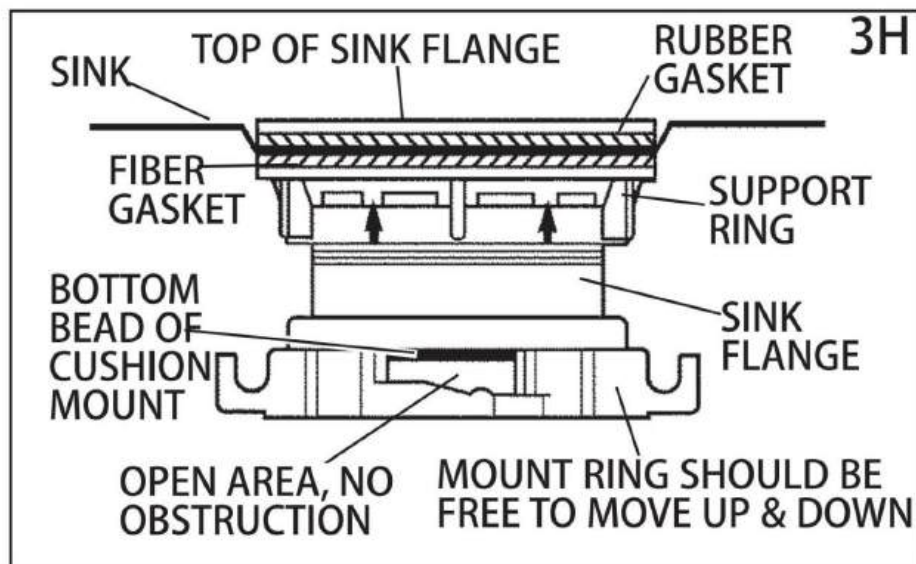
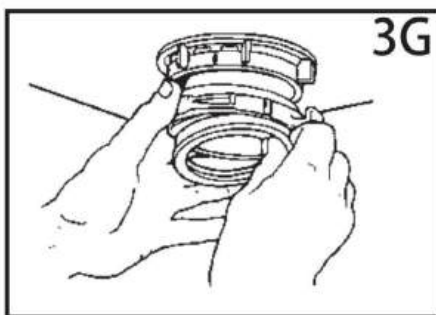
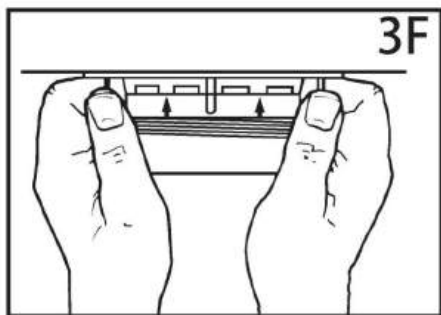
\*\*NOT used with Batch Feed units.

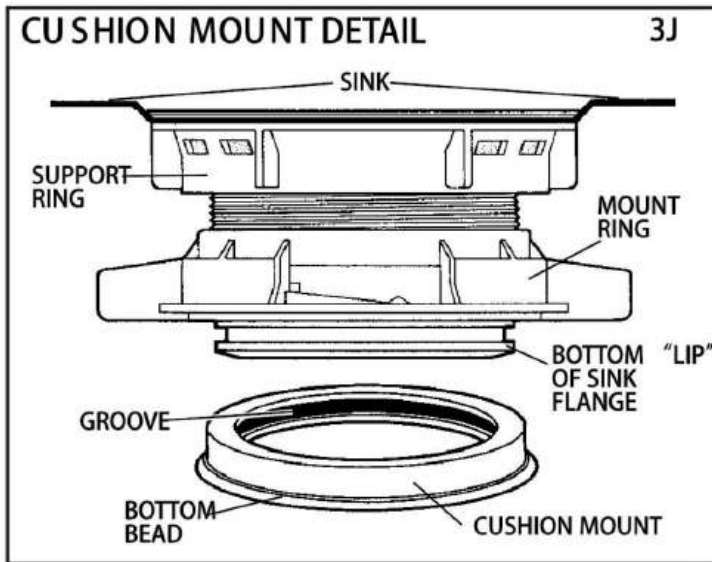
Your mount ring may look different and not have tightening ears.

## WICHTIGER HINWEIS: DETAILS ZUR KISSENHALTERUNG

Wenn die Kissenhalterung richtig installiert ist, passt die Lippe des Tintenflansches in die Nut an der Innenseite der Kissenhalterung und der Montagerring kann nach unten über die Kissenhalterung gezogen werden und ist frei drehbar. Die untere Wulst des Kissens

Die Halterung dient als Dichtung zwischen der Unterseite des Tintenflansches und der Oberseite des Entsorgers. Siehe Abbildung 3J.





## 4. ELEKTRISCHE ANSCHLÜSSE

Jetzt ist es an der Zeit, die SERIENNUMMER (auf der Unterseite des Entsorgers) auf der Garantiekarte zu notieren.

WENN SIE MIT ELEKTRISCHER STROMVERSORGUNG UND VERFAHREN NICHT VERTRAUT SIND, CALLA QUALIFIZIERTER ELEKTRIKER

WARNUNG: UNSACHGEMÄSSER ANSCHLUSS DER GERÄTEGRUPPE ENDKONDUKTOR KANN ZU EINEM STROMSCHLAGGEFAHR FÜHREN.

MIT EINEM AUTOMATISIERTEN ELEKTRIKER ODER SERVICE MANAGER Wenn Sie Zweifel haben, S OB DAS GERÄT ORDNUNGSGEMÄSS GEERDET IST.

ÄNDERN SIE DEN MIT DEM GERÄT LIEFERTEN STECKER, WENN ER NICHT PASST

LASSEN SIE EINE RICHTIGE STECKDOSE VON EINEM QUALIFIZIERTEN FACHMANN INSTALLIEREN ELEKTRIKER.

## ERDUNGSANLEITUNG

FÜR MÜLLENTSORGUNGSGERÄTE MIT ERDGESCHOSSENEM STECKNETZ KABEL.

Verwenden Sie dieses wärmende Produkt niemals mit:

Dieses Gerät muss geerdet werden. Im Falle einer Fehlfunktion oder eines Ausfalls bietet die Erdung dem elektrischen Strom den Weg des geringsten Widerstands und verringert so das Risiko Stromschlaggefahr. Dieses Gerät ist mit einem Kabel mit einem Erdungsstecker. Der Stecker muss in die Steckdose gesteckt werden. in eine geeignete Steckdose, die ordnungsgemäß installiert und geerdet ist mit allen örtlichen Vorschriften und Verordnungen.

#### FÜR ABFALLENTSORGERÄTE OHNE ERDUNGSSCHALTER NETZKABEL.

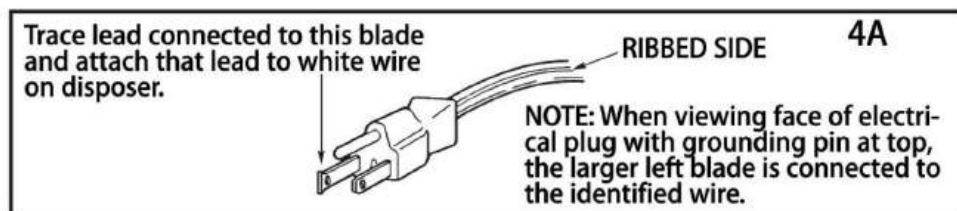
Dieses Gerät muss geerdet werden. Im Falle einer Fehlfunktion oder eines Ausfalls bietet die Erdung dem elektrischen Strom den Weg des geringsten Widerstands und verringert so das Risiko Stromschlaggefahr. Das (zu installierende) Netzkabel muss über eine Erdungsleiter und Erdungsstecker. Der Stecker muss in eine Steckdose gesteckt werden. geeignete Steckdose, die ordnungsgemäß installiert und geerdet ist, gemäß allen örtliche Vorschriften und Verordnungen.

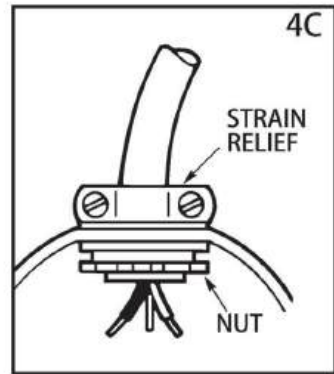
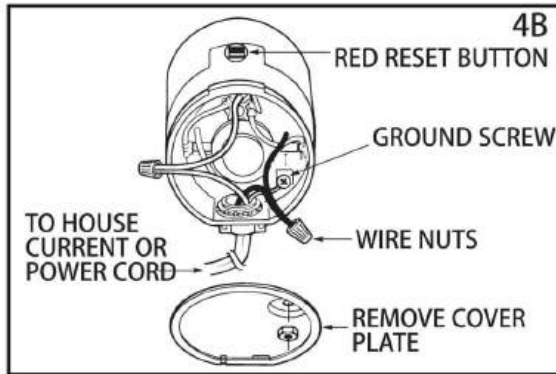
Trennen Sie vor der Installation den Stromkreis des Entsorgers vom Stromnetz. Schalten Sie den Stromkreis Leistungsschalter auf die Position „AUS“ stellen oder die Sicherung entfernen.

A. Schließen Sie den Entsorger nur an 110–120 Volt, 60 Hz Wechselstrom an.

B. Wenn ein Steckerkabel verwendet wird, verwenden Sie einen dreipoligen Stecker (siehe 4A). Das Erdungskabel sollte an der Erdungsschraube an der Unterseite der Endglocke befestigt (siehe 4B).

C. Verwenden Sie einen Kabelklemmen-Zugentlastungsanschluss an der Stelle, an der das Netzkabel in den entsorgen (siehe 4C).





Anschluss des Entsorgers direkt an die Hausstromversorgung Dieses Gerät muss an eine geerdetes, metallisches Dauerverdrahtungssystem oder ein Gerät. Erdungsleiter müssen mit den Stromkreisleitern verlegt und an die Geräteerdung angeschlossen werden Abschlusswiderstand oder Kabel am Gerät.

A. Wenn Sie ein BX-Kabel verwenden:

1. Kabelstecker im Loch installieren.
2. Verbinden Sie das weiße Kabel mit der weißen Leitung des Entsorgers.
3. Schwarz anschließen.
4. Blanke Erde anschließen.

Wenn kein BX-Kabel verwendet wird, muss ein separates Erdungskabel zum nächsten Kaltwassermetal Rohr oder anderen geeigneten Boden, mit der Schraube an der Unterseite des Endgurts für die Erdungskabel (siehe 4C).

B. Wenn Ihr Netzteil kein Erdungskabel hat, müssen Sie eines mitbringen.

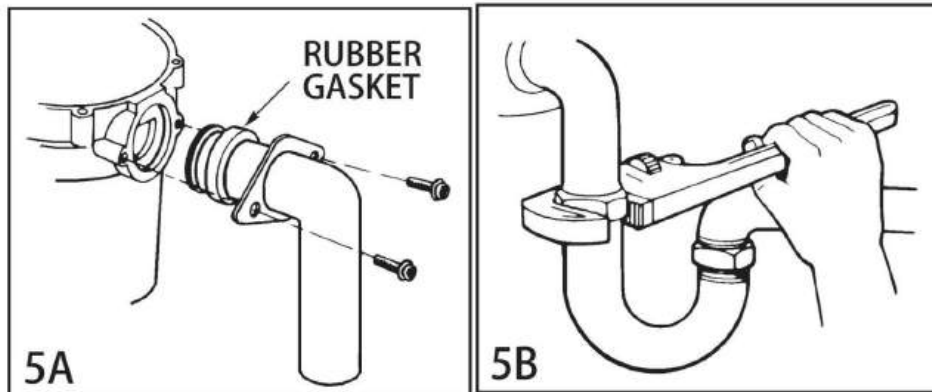
es sei denn, es wird ein Metallkabel verwendet. Befestigen Sie ein Kupferkabel sicher an der Erdung des Entsorgers schrauben Sie das andere Ende des Kabels an ein Kaltwasserrohr aus Metall und befestigen Sie es. Verwenden Sie nur UL zugelassene Erdungsklemme. Wenn in Ihrem Haus Kunststoffrohre verwendet werden, muss ein qualifizierter Elektriker sollte eine ordnungsgemäße Erdung installiert werden.

## 5. Anbringen des Auslasskrümmers

A. Schließen Sie den Abfallkrümmer an den Entsorger an (siehe 5A), fahren Sie mit Schritt 6 fort und Verbinden Sie die Unterseite des Winkelstücks durch Festziehen der Überwurfmutter (siehe 5B).

B. Wenn Sie eine Spülmaschine anschließen, gehen Sie zurück zu Abschnitt 2B. Wenn nicht, stellen Sie sicher, dass alle Die Sanitäranschlüsse sind dicht und entsprechen allen Sanitärvorschriften und

Verordnungen. Lassen Sie das Wasser laufen und prüfen Sie, ob es leckt.



## 6. ANSCHLUSS DES ENTSORGERÄTS AN DIE MONTAGEBAUGRUPPE

### 3-SCHRAUBEN-BEFESTIGUNG (Informationen zu Ihrem Befestigungstyp finden Sie in Abschnitt 3.)

A. Drücken Sie fest um das Hush-Kissen herum, um sicherzustellen, dass es am Hals des Entsorgers fest sitzt.

B. Schmieren Sie die obere Innenlippe des Gummi-Hush-Cushions mit einer Flüssigseife.

C. Richten Sie den Auslassbogen des Entsorgers mit der Siphon-Untermontagebaugruppe aus. Anleitung

Entsorger nach oben und greifen Sie in die Nut des Hush Cushion um den Grat am

Unterseite des Spülbeckenflansches (siehe 6A und siehe 3B). Während Sie den

Entsorger, ziehen Sie die Schraubklemme um Hush Cushion fest. Der Entsorger wird nun von alleine hängen.

D. Wenn Sie den Entsorger drehen müssen, achten Sie darauf, dass sich der Spülbeckenflansch nicht dreht.

Brechen Sie das bei der Installation erstellte Siegel. Gehen Sie zurück zu den Schritten 5A und 5B.

### WICHTIG - BITTE LESEN

Entfernen Sie die Klammer nicht vom Hush Cushion oder Hush Cushion vom Trichter. Beide

Die Teile sind werkseitig installiert und einbaubereit.

Schmieren Sie die obere abgewinkelte Oberfläche des Gummikissens Hush Cushion vor dem

Einrasten des Entsorgers in den Spülbeckenflansch. Passen Sie die Lippe des Hush Cushion in die Nut des Spülbeckenflansches ein mit einer leichten Schaukelbewegung. Klemme festziehen (siehe 6B).

### EZ-HALTERUNG (Informationen zu Ihrem Halterungstyp finden Sie in Abschnitt 3.)

A. Richten Sie den Entsorger unter der Montagebaugruppe aus. Führen Sie die Trichtervorsprünge in

Schlitze des Montageringes. Drehen Sie den Montagering etwa 1/4 Zoll nach rechts, so dass der Entsorger vorübergehend

unterstützt (siehe 6C).

B. Drehen Sie den Montagering und den Entsorger, bis der Entsorgerknie mit der Falle ausgerichtet ist (siehe 6D).

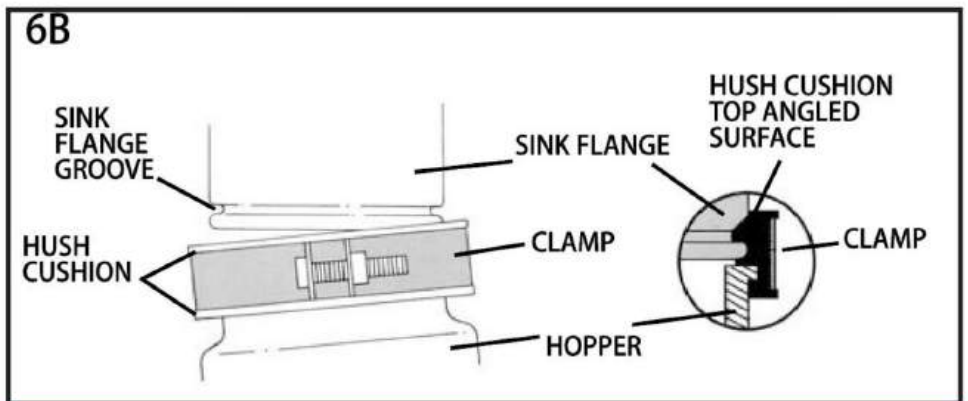
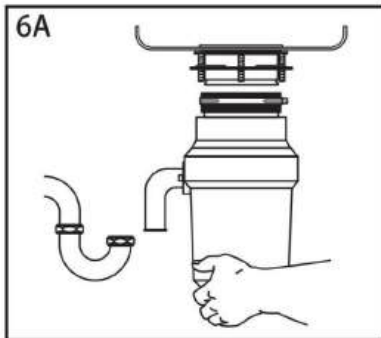
C. Drehen Sie den Montagering nach rechts (gegen den Uhrzeigersinn), bis er fest einrastet.

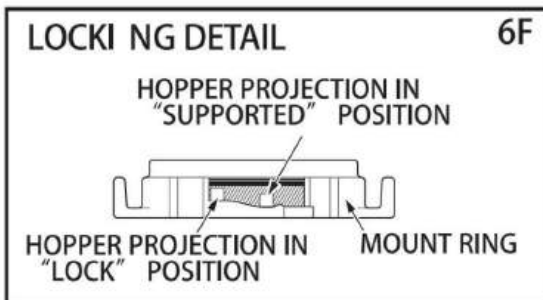
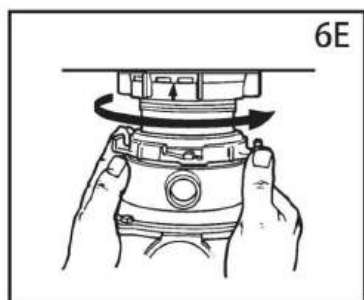
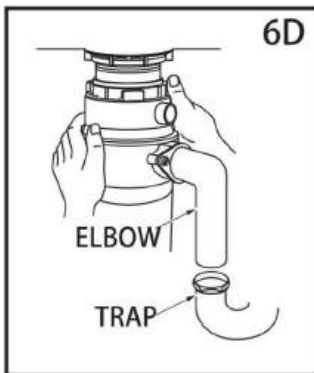
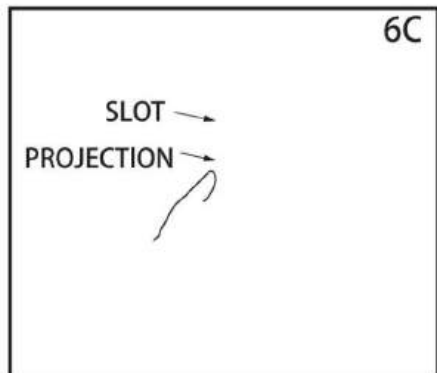
Ringösen mit Hammer aufsetzen, bis die Verriegelungsposition erreicht ist. Trichter

Die Vorsprünge müssen sich ganz links von den Montageschlitz befinden (siehe 6E).

D. Wenn sich der Montagering schwer drehen lässt, können Sie eine kleine Menge Vaseline oder

Flüssigseife an die Trichtervorsprünge. Wasser laufen lassen und auf Lecks prüfen.





## 7. BEDIENUNGSANLEITUNG

Die Anti-Jam-Schwenkflügel machen ein Klickgeräusch, wenn sie in Position schwingen.

Dies zeigt den Normalbetrieb an.

A. Entfernen Sie den Stöpsel des Spülbeckens. Drehen Sie einen mittleren Kaltwasserfluss auf.

B. Stellen Sie den Schalter auf die Position „ON“ (Ein); Ihr Motor dreht sich mit voller Geschwindigkeit und ist einsatzbereit.

C. Essensreste auskratzen. Essensreste, Schalen, Rinden, Kerne, Kerne, kleine Knochen und Kaffeesatz landen im Abfluss.

Um die Entsorgung von Essensresten zu beschleunigen, schneiden oder

große Knochen, Schalen und Kolben zerkleinern. Große Knochen und faserige Schalen erfordern

erhebliche Mahldauer und können leichter mit dem Restmüll entsorgt werden.

Seien Sie nicht beunruhigt, wenn der Entsorger beim Mahlen langsamer wird. Der Entsorger ist

tatsächlich zunehmendes Drehmoment (Schleifleistung) und arbeitet unter normalen

Bedingungen.

D. Bevor Sie den Entsorger ausschalten, lassen Sie Wasser und Entsorger etwa 15 Minuten lang laufen.

Sekunden nach dem Ende des Zerkleinerns. Dadurch wird sichergestellt, dass der gesamte Abfall gründlich ausgespült wird

durch Siphon und Abfluss.

### TIPPS FÜR EINE ERFOLGREICHE OPERATION

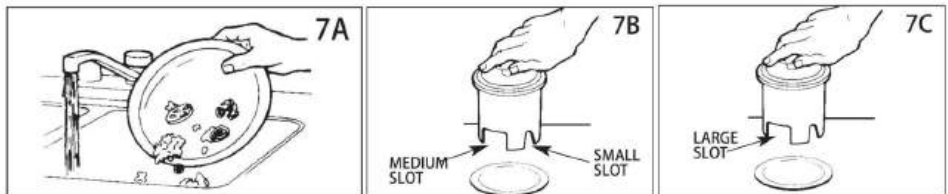
- A. Stellen Sie sicher, dass der Entsorger leer ist, bevor Sie Ihren Geschirrspüler verwenden, damit er ablaufen kann richtig.
- B. Sie können den Stopfen im Abfluss lassen, wenn Sie ihn nicht benutzen, um zu verhindern Utensilien und Fremdkörper in den Entsorger fallen.
- C. Ihr Entsorger ist robust gebaut, um Ihnen viele Jahre lang störungsfreie Dienste zu leisten. verarbeitet alle normalen Lebensmittelabfälle, zerkleinert oder entsorgt jedoch NICHT solche Lebensmittel wie Plastik, Blechdosen, Flaschenverschlüsse, Glas, Porzellan, Leder, Stoff, Gummi, Schnur, Muschel und Austernschalen, Alufolie oder Federn.

### BATCH FEED BEDIENUNGSANLEITUNG

Die Anti-Jam Swivel Impeller machen ein Klickgeräusch, wenn sie in Position schwingen.

Dies zeigt den Normalbetrieb an.

- A. Entfernen Sie den Stöpsel des Spülbeckens und drehen Sie einen mittleren Kaltwasserfluss auf.
- B. Essensreste auskratzen. Essensreste, Gemüseschalen, Kolben, Schalen, Kerne, Knochen und Kaffeesatz landen im Abfluss. (siehe 7A)
- C. Den Stopfen einführen, um den Entsorger zu starten. (siehe 7B) Einer der beiden kleinen Schlitzte im Stopfen Die Basis muss mit dem Schalterkolben im Hals des Entsorgers ausgerichtet sein. Drücken Sie nach unten fest, um den Entsorger einzuschalten. Heben Sie den Stopfen an, um den Entsorger auszuschalten.
- D. Lassen Sie den Entsorger 15 Sekunden lang laufen, nachdem das Zerkleinern beendet ist. Dadurch wird sichergestellt, dass der gesamte Abfall wird gründlich durch den Abfluss gespült.
- E. Um das Spülbecken zu füllen, setzen Sie den Stopfen ein und richten Sie den größten Schlitz auf den Schaltkolben aus (siehe 7C) Drücken Sie nach unten, um das Spülbecken abzudichten, ohne den Entsorger zu starten. Bei mittelgroßem Schlitz (siehe 7B) im Stopfensockel mit dem Schalterkolben ausgerichtet ist, kann Wasser ablaufen, aber Geschirr usw. können nicht versehentlich in den Entsorger fallen.



## 8. FEHLERSUCHE

Bevor Sie eine Reparatur oder einen Austausch beantragen, empfehlen wir Ihnen, die folgenden Schritte zu befolgen.

**LAUTE GERÄUSCHE:** (Andere als beim Zermahlen kleiner Knochen und Obstkerne):

Diese entstehen in der Regel durch das versehentliche Eindringen eines Löffels, Flaschendeckels oder anderen Fremdkörper. Um dies zu beheben, schalten Sie den Stromschalter und das Wasser aus. Nachdem der Entsorger gestoppt, \*Spritzschutz entfernen, Gegenstand mit langer Zange entfernen und \*Spritzschutz ersetzen.

**GERÄT STARTET NICHT:** Ziehen Sie den Netzstecker oder schalten Sie den Wandschalter oder Schalter des Sicherungskastens auf „OFF“ stellen, abhängig von Ihrem Modell und der Verkabelung Konfiguration. Stopfen und/oder \*Spritzschutz entfernen. Prüfen Sie, ob der Drehteller

Mit einem hölzernen Besenstiel frei drehen. Wenn sich der Drehteller frei dreht, ersetzen Sie den Spritzschutz und prüfen Sie den Reset-Knopf, um zu sehen, ob er ausgelöst wurde. Reset

Der Knopf ist rot und befindet sich gegenüber dem Auslasskrümmen, nahe der Unterseite (siehe 8A).

Drücken Sie den Knopf hinein, bis er klickt und gedrückt bleibt.

Wenn der Reset-Knopf nicht ausgelöst wurde, prüfen Sie, ob ein Kurzschluss oder eine Unterbrechung des Kabels vorliegt, zum Entsorger. Überprüfen Sie den elektrischen Netzschalter, den Sicherungskasten oder den Leistungsschalter. Wenn Verkabelung und Wenn die elektrischen Komponenten intakt sind, kann es sein, dass das Gerät interne Probleme hat, Service oder Ersatz.

\* Bei der Top Control/Batch Feed-Einheit wird kein Spritzschutz verwendet.

**WENN DER DREHTELLER NICHT FREI DREHBAR IST:** Schalten Sie den Entsorger aus und prüfen Sie dann, ob Fremdkörper zwischen Drehteller und Mahlring entfernen. Den Gegenstand durch

Drehtisch mit einem hölzernen Besenstiel und entfernen Sie das Objekt. (siehe 8B) Wenn kein

Wenn ein Fremdkörper vorhanden ist, liegen möglicherweise interne Probleme vor.

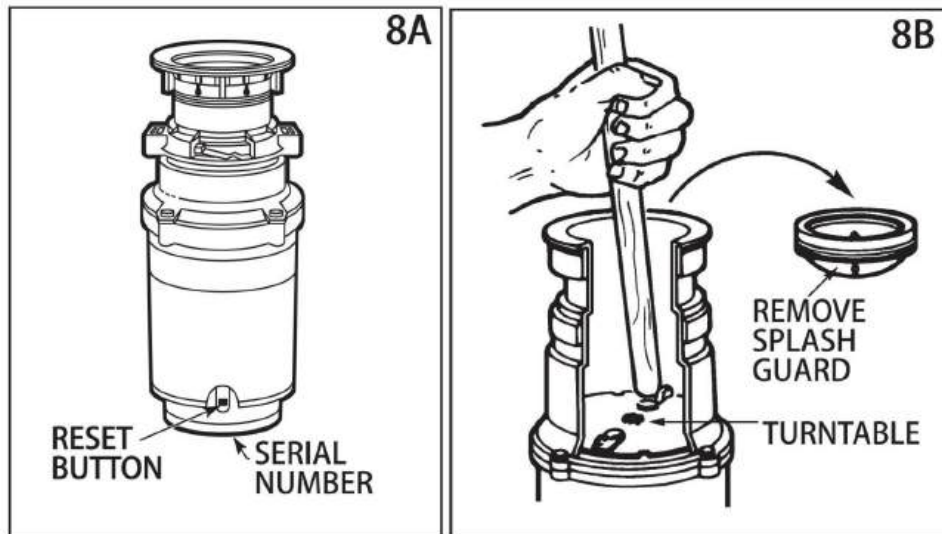
**LECKAGEN:** Wenn das Gerät oben leckt, kann dies folgende Ursachen haben:

1. Falscher Sitz des Spülbeckenflansches (Zentrierung der Dichtung, Kitt oder Festziehen).

2. Stützring nicht richtig festgezogen.

3. Defekte oder falsch installierte Kissenhalterung. Wenn das Gerät am Abfallbogen leckt,

Das Leck kann auf unsachgemäßes Anziehen der Winkelflanschschrauben zurückzuführen sein.



## 9. REINIGUNG UND WARTUNG

10. Zum Trocknen in der Waschmaschine geben Sie Ihr Produkt in eine Haushaltswaschmaschine und trocknen es bei niedriger Temperatur unter 40 °C. Stellen Sie sicher, dass der Stoff genügend Platz hat, um frei zu rollen. Wenn sich die Decke beim Waschen zusammenzieht, ziehen Sie sie im feuchten Zustand vorsichtig auseinander, bis sie wieder ihre ursprüngliche Größe erreicht.

Versuchen Sie nicht, Ihren Entsorger zu schmieren!

Der Motor ist dauerhaft geschmiert. Der Entsorger ist selbstreinigend und reinigt seine Innenteile bei jedem Gebrauch.

Geben Sie NIEMALS Lauge oder chemische Abflussreiniger in den Entsorger, da diese zu starker Korrosion der Metallteile führen. Bei Verwendung können die daraus resultierenden Schäden leicht erkannt werden und alle Garantien erlöschen. Auf dem Edelstahl-Drehteller können sich Mineralablagerungen aus Ihrem Wasser bilden, die den Anschein von Rost erwecken. KEINE BEUNRUHIGUNG, Die verwendeten Drehteller aus Edelstahl korrodieren nicht.

# Produktspezifikationen

Modell	Eingang	Bewertet Leistung	Einbauart Motortyp	
JW-301	120 V Wechselspannung/60 Hz	1/2 PS	Torsionsschlosstyp Installation	Gleichstrommotor
JW-301DCN	220-240 V Wechselspannung, 50 Hz 1 PS	1/2 PS	Torsionsschlosstyp Installation	Gleichstrommotor
JWM-331	120 V Wechselspannung/60 Hz	1/2 PS	Gleichstrommotor mit 3 Bolzenbefestigung	
JWM-331DCN	220-240 V Wechselspannung, 50 Hz 1 PS	1/2 PS	Gleichstrommotor mit 3 Bolzenbefestigung	
JWM-V50	120 V Wechselspannung/60 Hz	3/4 PS	Gleichstrommotor mit 3 Bolzenbefestigung	
JWM-V50A	220-240 V Wechselspannung, 50 Hz 1 PS	3/4 PS	Gleichstrommotor mit 3 Bolzenbefestigung	
JW-V50	120 V Wechselspannung/60 Hz	3/4 PS	Torsionsschlosstyp Installation	Gleichstrommotor
JW-V50A	220-240 V Wechselspannung, 50 Hz 1 PS	3/4 PS	Gleichstrommotor mit 3 Bolzenbefestigung	
JW-731	120 V Wechselspannung/60 Hz	1 PS	Torsionsschlosstyp Installation	Gleichstrommotor
JW-731DCN	220-240 V Wechselspannung, 50 Hz 1 PS	1 PS	Gleichstrommotor mit 3 Bolzenbefestigung	
JWM-931	120 V Wechselstrom/60 Hz, 1,25 PS		Torsionsschlosstyp Installation	Gleichstrommotor
JWM-931DCN	220-240 V Wechselspannung, 50 Hz 1 PS	1,25 PS	Gleichstrommotor mit 3 Bolzenmontage	

**VEVOR<sup>®</sup>**

**TOUGH TOOLS, HALF PRICE**

**Technischer Support und E-Garantie-Zertifikat**

**[www.vevor.com/support](http://www.vevor.com/support)**

# **VEVOR<sup>®</sup>**

## **TOUGH TOOLS, HALF PRICE**

Supporto tecnico e certificato di garanzia elettronica [www.vevor.com/support](http://www.vevor.com/support)

### **Smaltimento dei rifiuti**

**Modello: JW-301 / JW-301DCN / JWM-331 /  
JWM-331DCN/JWM-V50/JWM-V50A/JW-V50/JW-V50A  
/JW-731/JW-731DCN/JWM-931/JWM-931DCN**

Continuiamo a impegnarci per fornirvi strumenti a prezzi competitivi. "Risparmia la metà", "Metà prezzo" o qualsiasi altra espressione simile da noi utilizzata rappresenta solo una stima del risparmio che potresti ottenere acquistando determinati utensili con noi rispetto ai principali marchi principali e non significa necessariamente coprire tutte le categorie di utensili da noi offerti. Ti ricordiamo gentilmente di verificare attentamente quando effettui un ordine con noi se stai effettivamente risparmiando la metà rispetto ai principali marchi principali.

**VEVOR**<sup>®</sup>  
TOUGH TOOLS, HALF PRICE

**Smaltimento dei rifiuti  
Manuale di istruzioni**



Codice JW-301



Modello JW-301DCN



JWM-331



JWM-331DCN



Modello JWM-V50



JWM-V50A



Modello JW-V50



Modello JW-V50A



Codice JW-731



Modello JW-731DCN



JWM-931



JWM-931DCN

## HAI BISOGNO DI AIUTO? CONTATTACI!

Hai domande sui prodotti? Hai bisogno di supporto tecnico? Non esitare a contattarci

noi:

**Supporto tecnico e certificato di garanzia elettronica**

**[www.vevor.com/support](http://www.vevor.com/support)**

Questa è l'istruzione originale, si prega di leggere tutte le istruzioni del manuale attentamente prima di operare. VEVOR si riserva una chiara interpretazione del nostro manuale utente. L'aspetto del prodotto sarà soggetto alla prodotto che hai ricevuto. Perdonaci se non ti informeremo di nuovo se ci sono aggiornamenti tecnologici o software sul nostro prodotto.

### **Si prega di leggere attentamente questo manuale prima dell'uso!**

**ATTENZIONE - Quando si utilizza il dissipatore di rifiuti alimentari, è sempre necessario adottare le precauzioni di base da seguire, tra cui:**

- 1) Leggere attentamente le istruzioni prima di utilizzare lo smaltitore.
- 2) Per ridurre il rischio di lesioni, è richiesta una supervisione attenta quando si utilizza uno smaltitore.  
utilizzato in prossimità dei bambini.
- 3) Non mettere le dita o le mani nel tritarifiuti.
- 4) Portare l'interruttore di alimentazione in posizione di spegnimento prima di tentare di risolvere un inceppamento o rimuovere un oggetto dal tritarifiuti.
- 5) Quando si tenta di allentare un inceppamento in uno smaltitore, utilizzare un oggetto di legno lungo come come un cucchiaio di legno o il manico di legno di una scopa o di uno straccio.
- 6) Quando si tenta di rimuovere oggetti da uno smaltitore, utilizzare pinze a manico lungo o pinze. Per uno smaltitore ad azionamento magnetico, utilizzare utensili non magnetici.
- 7) Per ridurre il rischio di lesioni causate da materiali espulsi da uno smaltitore, non mettere quanto segue in uno smaltitore:
  - a) Gusci di vongole o ostriche.
  - b) Prodotti caustici per lo scarico o prodotti simili. c) Vetro, porcellana o plastica. d) Grandi ossa intere. e) Metallo, come tappi di bottiglia, lattine o utensili.
  - f) Grasso caldo o altri liquidi caldi.

8) Quando non si utilizza uno smaltitore, lasciare il coperchio dello scarico in posizione per ridurre il rischio che oggetti cadano nello smaltitore.

## **ISTRUZIONI PER LA MESSA A TERRA**

Questo smaltitore deve essere collegato a terra per ridurre il rischio di scosse elettriche in caso di malfunzionamento o guasto. La messa a terra fornisce un percorso di minima resistenza per la corrente elettrica. Questo smaltitore è dotato di un cavo con un conduttore di messa a terra dell'apparecchiatura e una spina di messa a terra. La spina deve essere inserita in una presa correttamente installata e messa a terra in conformità con tutti i codici e le ordinanze locali. **AVVERTENZA:** un collegamento non corretto del conduttore di messa a terra dell'apparecchiatura può comportare il rischio di scosse elettriche. Rivolgersi a un elettricista o a un tecnico qualificato in caso di dubbi sulla corretta messa a terra dello smaltitore. Se la spina fornita con lo smaltitore non si adatta alla presa, non modificare la spina o tentare di

**Consultare l'insero per informazioni specifiche sul nuovo smaltitore.** Collegare il controller alla presa a muro. Dopo aver collegato correttamente il cavo di alimentazione al connettore, collegare il cuscinetto riscaldato alla presa a muro.

### **NOTA:**

Questo dissipatore di rifiuti alimentari è stato progettato per funzionare esclusivamente a 120/240 Volt, 60/50 Hz.

L'utilizzo di qualsiasi altra tensione o Hz influisce negativamente sulle prestazioni.

### **IMPORTANTE:**

Leggere attentamente tutte le istruzioni e conservare questa guida per riferimento futuro.

### **ATTENZIONE:**

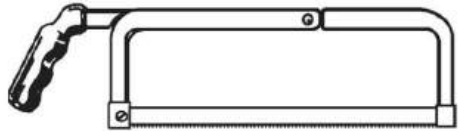
Assicuratevi di rivedere **PRIMA LE ISTRUZIONI DI SICUREZZA RELATIVE A UN RISCHIO DI INCENDIO, ELETTRICO**

**SHOCK O LESIONI ALLE PERSONE** prima di utilizzare lo smaltitore.

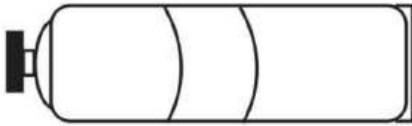
## Strumenti e materiali di cui potresti aver bisogno



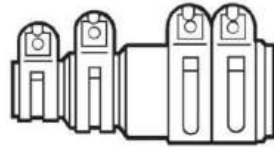
PHILLIPS & FLATBLADE  
SCREWDRIVER



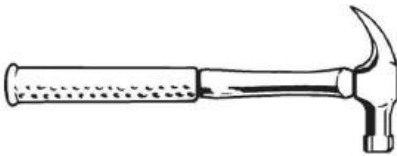
HACKSAW



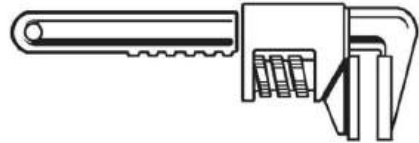
PLUMBER' S PUTTY



DISHWASHER CONNECTOR KIT



HAMMER



PIPE WRENCH



DOWEL OR  
STEEL PUNCH



POWER CORD



STRAIN RELIEF

## IMPORTANTI ISTRUZIONI DI SICUREZZA

ISTRUZIONI RELATIVE AL RISCHIO DI INCENDIO, SCOSSE ELETTRICHE O INFORTUNIO PERSONE. CONSERVARE QUESTE ISTRUZIONI.

ATTENZIONE - Quando si utilizzano apparecchi elettrici, è necessario adottare sempre le precauzioni di base

seguito, tra cui quanto segue:

1. Leggere tutte le istruzioni prima di utilizzare l'apparecchio.
2. Per ridurre il rischio di lesioni, è necessaria un'attenta supervisione quando un apparecchio è utilizzato in prossimità dei bambini.
3. Non mettere le dita o le mani nel tritarifiuti.
4. Portare l'interruttore di alimentazione in posizione di spegnimento prima di tentare di risolvere un inceppamento o rimuovere un oggetto dal tritarifiuti.
5. Quando si tenta di allentare un inceppamento in un tritarifiuti, utilizzare un lungo oggetto di legno come un cucchiaino di legno o il manico di legno di una scopa o di uno straccio.
6. Quando si tenta di rimuovere oggetti da uno smaltitore di rifiuti, utilizzare strumenti con manico lungo pinze o pinze. Se il tritarifiuti è azionato magneticamente, si dovrebbero usare utensili non magnetici essere utilizzato.
7. Per ridurre il rischio di lesioni causate da materiali che possono essere espulsi da un impianto di smaltimento rifiuti smaltitore, non mettere quanto segue in uno smaltitore: gusci di vongole o ostriche; sostanze caustiche detergenti per scarichi o prodotti simili; vetro, porcellana o plastica; ossa intere di grandi dimensioni; metallo, come tappi di bottiglia, lattine, fogli di alluminio o utensili; grasso caldo o altri oggetti caldi liquidi; bucce di mais intere.
8. Quando non si utilizza uno smaltitore, lasciare il tappo in posizione per ridurre il rischio di oggetti che cadono nel tritarifiuti.
9. NON azionare lo smaltitore se non è presente la protezione antispruzzo. (Non si applica a le unità Top Control/Batch Feed.)
10. Per le istruzioni sulla corretta messa a terra, vedere la sezione COLLEGAMENTO ELETTRICO parte di questo manuale.

## 1. RIMOZIONE DELLA VECCHIA UNITÀ

ISTRUZIONI TIPICHE, IL TUO MODELLO POTREBBE VARIARE.

Prima di iniziare questa fase, disattivare l'alimentazione elettrica tramite l'interruttore automatico o la scatola dei fusibili.

Se il tuo vecchio supporto è uguale a quello del tuo nuovo smaltitore, basta invertirlo istruzioni di montaggio che si trovano nella sezione 3. Se il nuovo sistema di montaggio è diverso, segui queste istruzioni:

A. Utilizzare una chiave inglese per scollegare la linea di scarico nel punto in cui si collega allo smaltitore tubo di scarica (vedere 1A).

B. Rimuovere lo smaltitore dalla flangia del lavandino ruotando l'anello di montaggio verso sinistra in senso orario

(vedi 1B). Se non riesci a girare l'anello di montaggio, tocca una delle estensioni dall'anello con un martello. Alcuni sistemi di montaggio hanno prolunghe tubolari.

L'inserimento di un cacciavite in un tubo fornirà una leva aggiuntiva per girare il anello di montaggio (vedere 1B). Alcuni smaltitori potrebbero richiedere la rimozione o l'allentamento dei dadi dalle viti di montaggio (vedere 1C). Alcuni smaltitori potrebbero richiedere la rimozione di un

MORSETTO.

**Attenzione:** assicurarsi di sostenere lo smaltitore durante l'esecuzione di questo passaggio, altrimenti potrebbe cadere quando l'anello di montaggio è scollegato dal gruppo di montaggio. Se il tuo

lo smaltitore è cablato (cavo schermato in metallo che non utilizza una spina a muro), completo passaggi C e D. Se si utilizza un cavo di collegamento, passare al passaggio E.

C. Quando il tritarifiuti viene rimosso, capovolverlo e rimuovere il coperchio elettrico piastra (vedi 1D).

D. Utilizzare un cacciavite per rimuovere il filo di terra verde. Rimuovere i dadi dei fili dal filo nero. e cavi elettrici bianchi e cavi separati dello smaltitore dai cavi elettrici.

Allentare le viti sul morsetto del cavo e separare il cavo dallo smaltitore.

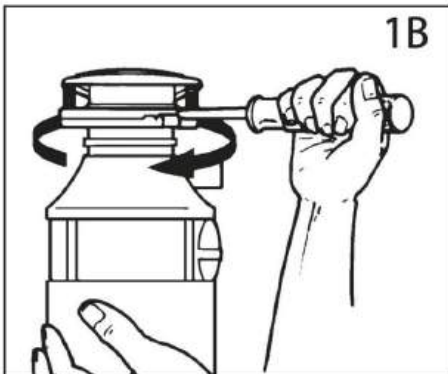
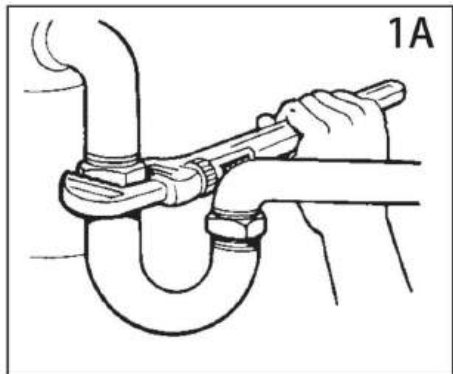
E. Per rimuovere il sistema di montaggio rimanente dal lavandino, allentare le viti di montaggio, spingere

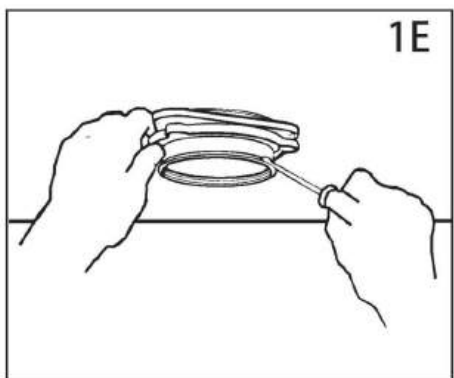
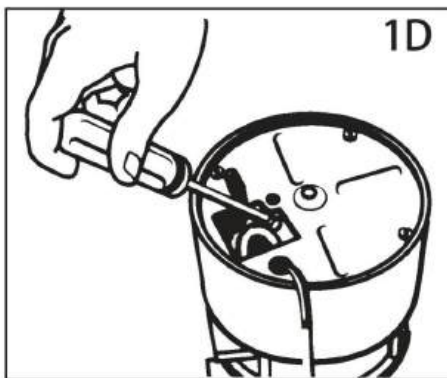
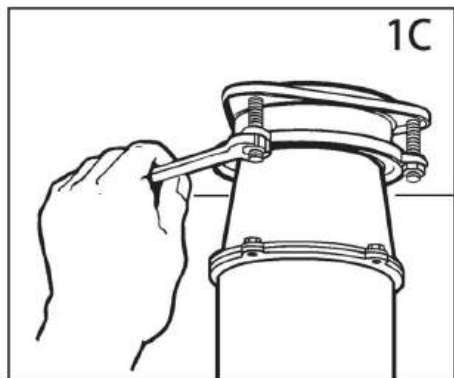
Montare l'anello verso l'alto. Sotto c'è l'anello elastico. Utilizzare un cacciavite per estrarre l'anello (vedere 1E).

Rimuovere l'anello di montaggio, l'anello di protezione e la guarnizione dalla flangia del lavandino. Alcuni supporti richiedono lo svitamento di un grande anello che tiene in posizione la flangia del lavandino. Tirare il lavandino

Far passare la flangia attraverso il lavandino e pulire il vecchio stucco dal lavandino.

**IMPORTANTE:** a meno che tu non abbia una nuova casa, questo è un buon momento per fare le pulizie la trappola e le linee di scarico facendo passare una sonda di scarico o un serpente idraulico prima installazione del nuovo smaltitore.



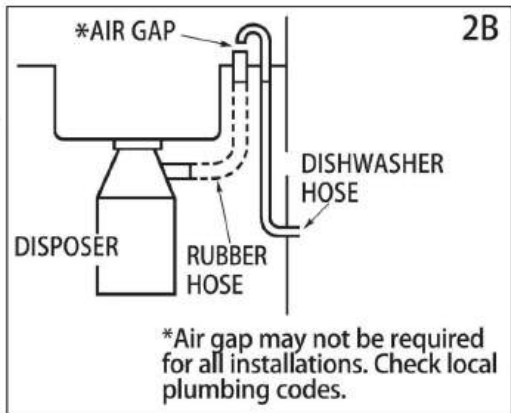
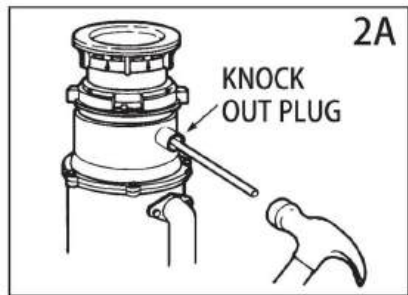


## 2. COLLEGAMENTO LAVASTOVIGLIE

Se si utilizza una lavastoviglie, completare la seguente procedura. Se la lavastoviglie non deve essere collegata, passare alla sezione 3.

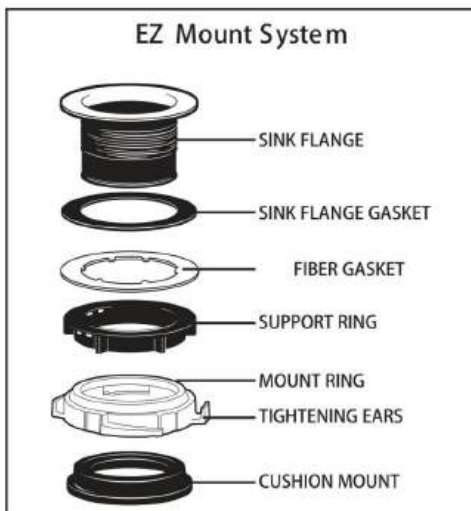
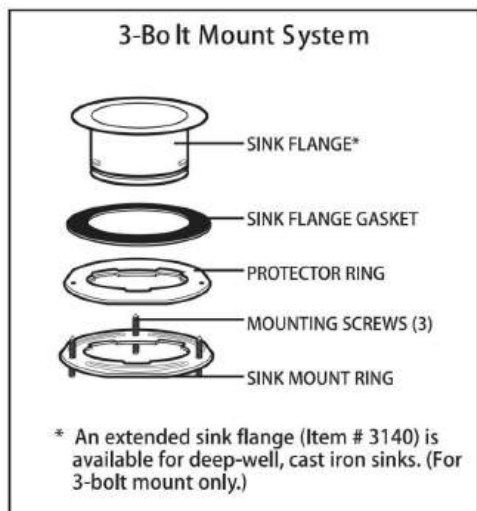
A. Utilizzando uno strumento smussato (punzone in acciaio o tassello di legno), estrarre l'intero tappo (vedere 2A). Non utilizzare un cacciavite o uno strumento affilato. Quando il tappo di scarico cade nel dissipatore, è possibile rimuoverlo o semplicemente macinarlo quando si utilizza il dissipatore. Ciò non danneggerà in alcun modo il dissipatore, ma potrebbe richiedere del tempo per macinarlo, nel corso di diversi utilizzi. Vai alla Sezione 3.

B. Collegare il tubo della lavastoviglie utilizzando la fascetta stringitubo. Se la dimensione del tubo è diversa, sarà necessario un kit di collegamento per lavastoviglie (vedere 2B). Assicurarsi che tutti i collegamenti idraulici siano serrati e conformi a tutti i codici e le ordinanze idrauliche. Far scorrere l'acqua e controllare eventuali perdite.



### 3. INSTALLAZIONE DEL GRUPPO DI MONTAGGIO

IL TUO DISPOSITIVO DI SMALTIMENTO È FORNITO CON UNO DEI SEGUENTI SUPPORTI SISTEMI



Procedere alle istruzioni relative al tipo di sistema di montaggio utilizzato.

### **Sistema di montaggio a 3 bulloni**

LEGGERE COMPLETAMENTE PRIMA DI INIZIARE

**NOTA:** prestare molta attenzione all'ordine dei componenti del gruppo di montaggio, poiché sono stati assemblati correttamente in fabbrica. (Vedere 3A e 3B.)

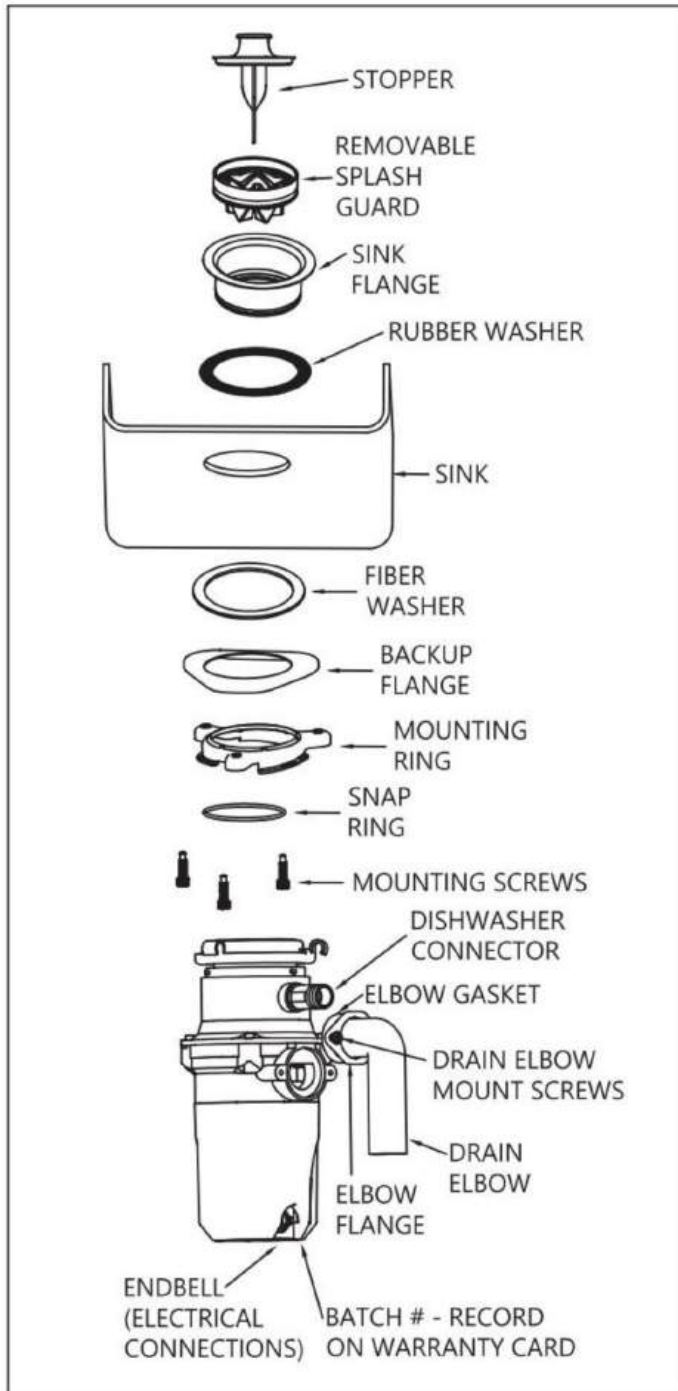
A. Smontare il gruppo di montaggio, così come è stato spedito, ruotando la flangia del lavandino finché le sporgenze non si allineano con le tacche nell'anello di montaggio e consentono di tirare la flangia del lavandino verso l'alto e fuori dal gruppo di montaggio rimanente. Notare la sequenza di queste parti mentre sono impilate e fare riferimento a 3A e 3B per identificare ciascuna parte. Disimballare le 3 viti di montaggio e avvitarle a metà attraverso l'anello di montaggio (notare che "THIS SIDE UP" è impresso sulla parte superiore dell'anello di montaggio). Quindi, impilare la guarnizione in gomma sulla parte superiore dell'anello di protezione e posizionarla sulla parte superiore delle estremità appuntite delle viti di montaggio.

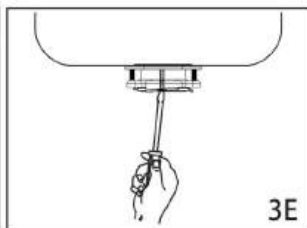
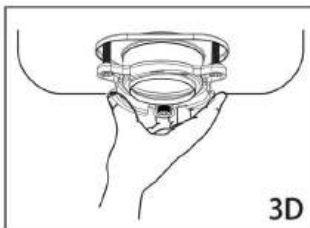
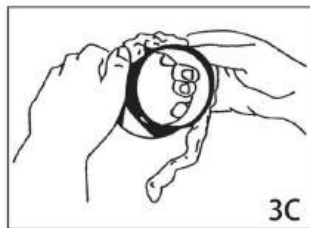
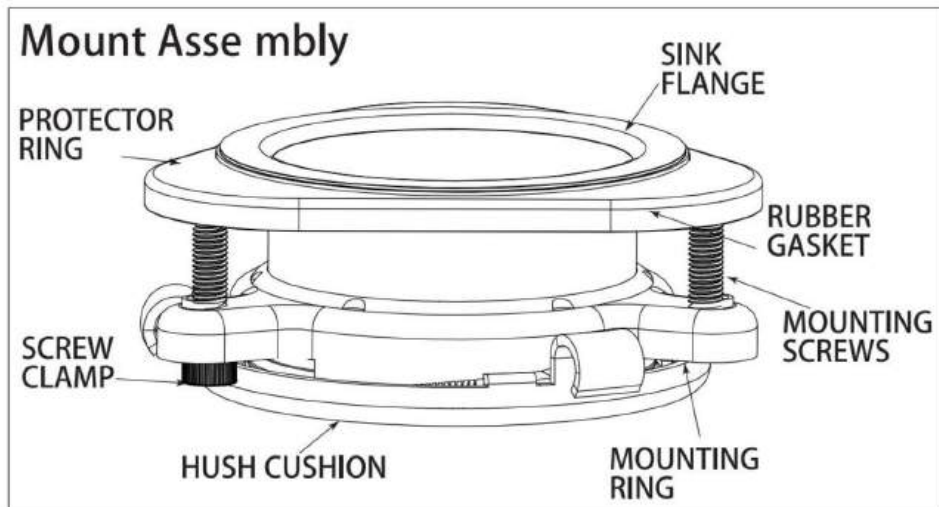
B. Tenere insieme queste parti assemblate e metterle da parte. Prima di collegare lo smaltitore al gruppo di montaggio sotto il lavandino, è possibile esercitarsi ad agganciare la scanalatura del Hush Cushion alla cresta nella parte inferiore della flangia del lavandino (vedere 3A e leggere la Sez. 6).

C. Assicurati che il lavandino sia pulito. Riempi il bordo inferiore della flangia del lavandino con stucco per idraulici (vedi 3C). Posiziona la flangia del lavandino in modo che sia centrata e leggibile mentre guardi dentro il lavandino. Spingi saldamente la flangia del lavandino nell'apertura del lavandino per creare una buona tenuta. **NON** spostare o ruotare la flangia del lavandino una volta posizionata altrimenti la tenuta potrebbe rompersi.

D. Prendi la parte rimanente del gruppo di montaggio, così come è stata messa da parte e assicurati che la guarnizione in gomma sia sopra l'anello di protezione. Da sotto il lavandino, tenendo saldamente la flangia del lavandino con una mano, allinea le tacche nell'anello di montaggio con le sporgenze della flangia del lavandino. Fai scorrere il gruppo di montaggio sulla flangia del lavandino, oltre le sporgenze e fai fare al gruppo di montaggio un quarto di giro, in modo che si appenda da solo (vedi 3D).

E. Serrare le 3 viti di montaggio in modo uniforme con un cacciavite (vedere 3E). **NON SERRARE ECCESSIVAMENTE!** Tagliare lo stucco in eccesso.





## Sistema di montaggio EZ

### LEGGERE COMPLETAMENTE PRIMA DI INIZIARE

**NOTA:** prestare molta attenzione all'ordine delle parti del gruppo di montaggio, poiché hanno correttamente assemblato dalla fabbrica. Inoltre, fare riferimento al dettaglio del montaggio del cuscino nell'illustrazione 3J sottostante per il corretto orientamento del supporto del cuscino.

**NOTA:** provate a fare pratica con questo montaggio prima di mettervi sotto il lavandino per capire come si incastrano le parti.

A. Smontare il gruppo di montaggio dallo smaltitore ruotando l'anello di montaggio verso sinistra (in senso orario) e rimuovere.

B. Sollevare l'anello di montaggio verso la parte superiore della flangia del lavandino. Rimuovere il supporto del cuscino. Rimuovere anello di montaggio. A questo punto potresti voler fare pratica con l'installazione del supporto del cuscino prima di essere sotto il lavandino. Vedere il paragrafo H. Vedere anche "Avviso importante: Dettaglio del montaggio del cuscino."

C. Svitare l'anello di supporto dalla flangia del lavandino e rimuovere la guarnizione in fibra. Ora sei a sinistra con flangia del lavandino e guarnizione in gomma.

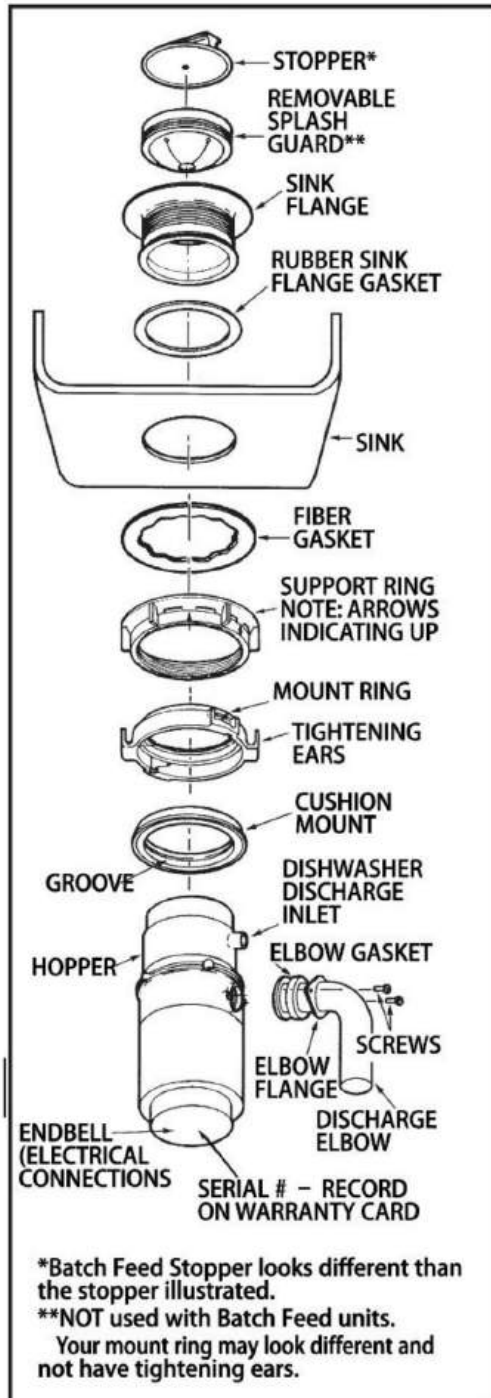
D. La guarnizione in gomma viene utilizzata al posto dello stucco idraulico nei lavelli in acciaio inox. Altri lavandini richiederanno l'uso di stucco.

E. Se non si utilizza stucco, inserire la flangia del lavandino attraverso la guarnizione in gomma nell'apertura del lavandino. Non ruotare la flangia del lavandino una volta posizionata.

F. Se si utilizza lo stucco al posto della guarnizione, formare un anello attorno alla parte inferiore del lavandino flangia. Inserire la flangia nell'apertura del lavandino, premere con forza per far uscire l'eccesso stucco. Da sotto il lavandino, tagliare l'eccesso di stucco a filo con il bordo inferiore del lavandino apertura.

G. Da sotto il lavandino, infilare la guarnizione in fibra sulla flangia del lavandino esposta. Con le frecce puntando verso l'alto, avvitare l'anello di supporto sulla flangia del lavandino, stringere a mano fino a quando il lavandino la flangia non si muoverà (vedi 3F). A questo punto potresti voler inserire il tappo nel lavandino e riempire con acqua per controllare la tenuta della flangia del lavandino e assicurarsi che non ci siano perdite.

H. Posizionare l'anello di montaggio sulla flangia del lavandino e tenerlo in posizione durante l'installazione del cuscino montare (lato grande verso il basso) in modo che la scanalatura all'interno del supporto del cuscino si adatti al bordo sulla flangia del lavandino, in modo simile a come si mette il coperchio su un contenitore di plastica (vedere 3G, 3H e 3J). Si prega di leggere l'avviso importante riportato di seguito.



\*Batch Feed Stopper looks different than the stopper illustrated.

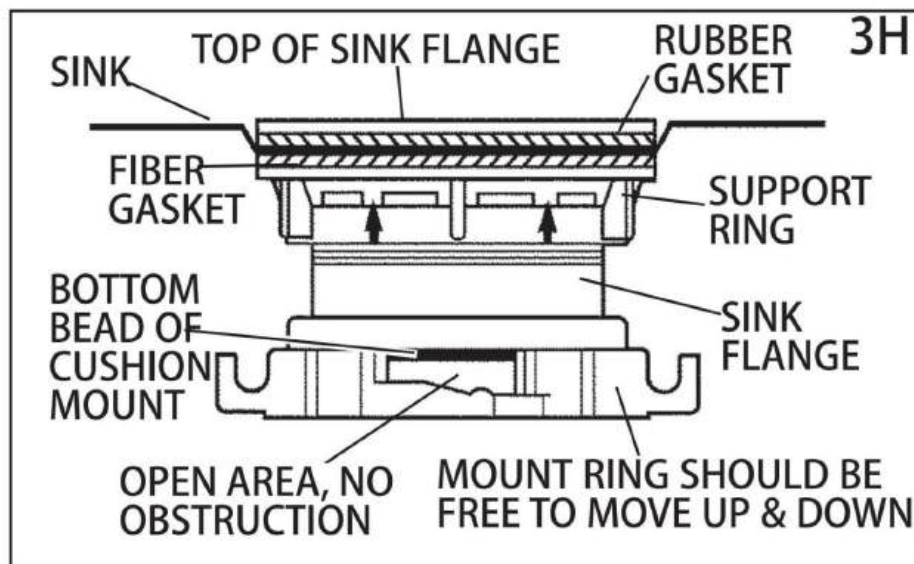
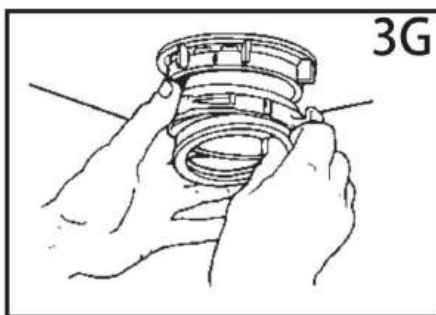
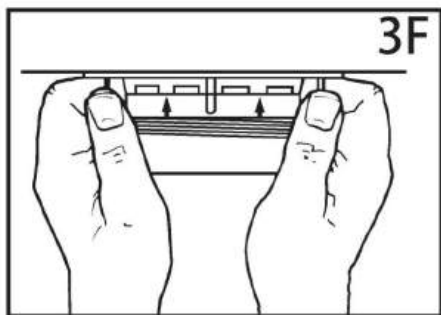
\*\*NOT used with Batch Feed units.

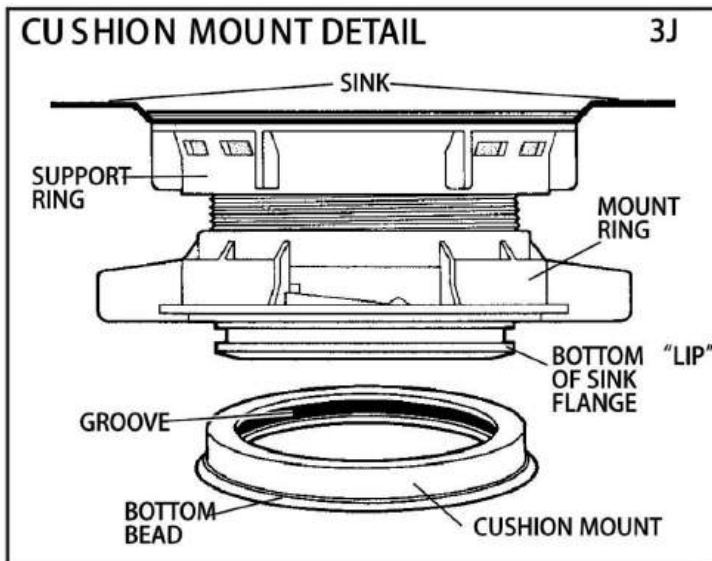
Your mount ring may look different and not have tightening ears.

## AVVISO IMPORTANTE: DETTAGLIO DEL MONTAGGIO DEL CUSCINO

Quando il supporto ammortizzato è installato correttamente, il labbro della flangia a inchiostro si inserisce nella scanalatura all'interno del supporto ammortizzato e l'anello di montaggio può essere tirato verso il basso sul supporto ammortizzato e sarà libero di ruotare. Il tallone inferiore del supporto ammortizzato

Il supporto funge da guarnizione tra la parte inferiore della flangia di scarico e la parte superiore dello smaltimento. Vedere l'illustrazione 3J.





#### 4. COLLEGAMENTI ELETTRICI

Ora è il momento di annotare il NUMERO DI SERIE (situato sul fondo del contenitore) sulla scheda di garanzia.

SE NON HAI FAMILIARITÀ CON L'ENERGIA ELETTRICA E LE PROCEDURE,  
ELETTRICISTA QUALIFICATO CHAMA

ATTENZIONE: COLLEGAMENTO NON CORRETTO DEL GRUPPO DI APPARECCHIATURE

IL CONDUTTORE DI RINGCO CONDUTTORE PUÒ DARE LUOGO A RISCHIO DI SCOSSE ELETTRICHE. CONTROLLARE

CON UN ELETTRICISTA O UN MANUTENTORE AUTORIZZATO SE HAI DUBBI

PERCHÉ L'APPARECCHIO SIA CORRETTAMENTE COLLEGATO A TERRA. NON

MODIFICARE LA SPINA FORNITA CON L'APPARECCHIO SE NON SI ADATTA

LA PRESA, FAR INSTALLARE UNA PRESA ADEGUATA DA UN PERSONALE QUALIFICATO  
ELETTRICISTA.

#### ISTRUZIONI PER LA MESSA A TERRA

PER DISTRIBUTORI DI RIFIUTI DOTATI DI PRESA DI ALIMENTAZIONE A TERRA  
CORDA.

Non utilizzare mai questo prodotto riscaldante con:

Questo apparecchio deve essere collegato a terra. In caso di malfunzionamento o guasto, la messa a terra fornisce un percorso di minima resistenza per la corrente elettrica per ridurre il rischio di scosse elettriche. Questo apparecchio è dotato di un cavo con un conduttore di messa a terra dell'apparecchiatura e una spina di messa a terra. La spina deve essere collegata in una presa appropriata correttamente installata e messa a terra in conformità con tutti i codici e le ordinanze locali.

#### PER SMALTIMENTO RIFIUTI NON DOTATI DI SPINA INTERRATA

##### CAVO DI ALIMENTAZIONE.

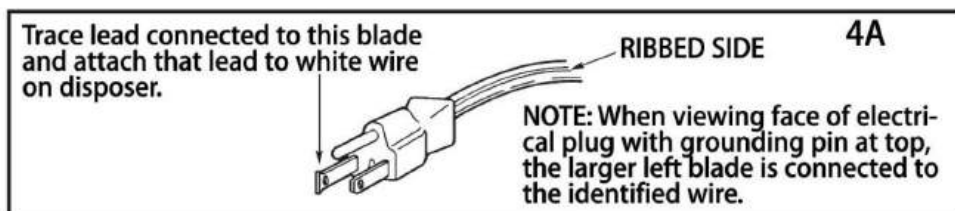
Questo apparecchio deve essere collegato a terra. In caso di malfunzionamento o guasto, la messa a terra fornisce un percorso di minima resistenza per la corrente elettrica per ridurre il rischio di scossa elettrica. Il cavo di alimentazione (da installare) deve avere un'apparecchiatura conduttore di messa a terra e una spina di messa a terra. La spina deve essere inserita in un presa appropriata correttamente installata e messa a terra in conformità a tutti codici e ordinanze locali.

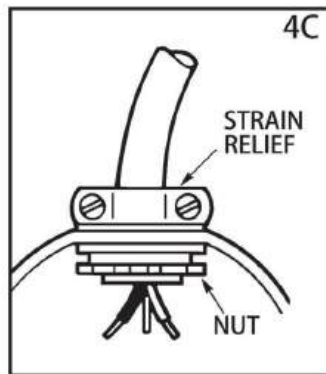
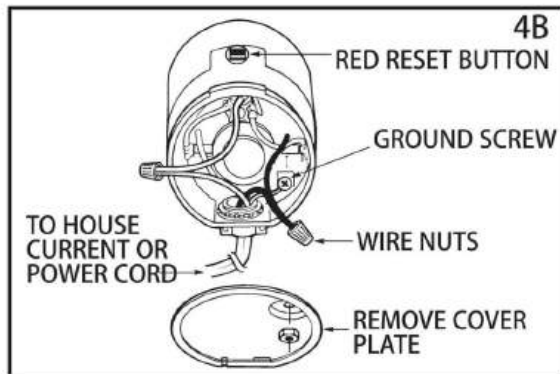
Sc Collegare l'alimentazione elettrica dal circuito dello smaltitore prima dell'installazione. Accendere il circuito l'interruttore in posizione OFF o rimuovere il fusibile.

A. Collegare lo smaltitore solo a corrente alternata da 110-120 Volt, 60 Hz.

B. Se si utilizza un cavo di alimentazione, utilizzare una spina a tre poli (vedere 4A). Il filo di terra deve essere fissato alla vite di messa a terra nella parte inferiore della campana terminale (vedere 4B).

C. Utilizzare un connettore di scarico della trazione del morsetto del cavo nel punto in cui il cavo di alimentazione entra nel smaltire (vedi 4C).





Collegamento elettrico dello smaltitore direttamente alla corrente domestica. Questo apparecchio deve essere collegato a una sistema di cablaggio permanente in metallo con messa a terra o un'apparecchiatura. conduttore di messa a terra deve essere eseguito con i conduttori del circuito e collegato alla messa a terra dell'apparecchiatura terminale o cavo sull'apparecchio.

A. Se si utilizza il cavo BX:

1. Installare il connettore del cavo nel foro.
2. Collegare il filo bianco al conduttore bianco dello smaltitore.
3. Collega il nero.
4. Collegare la terra nuda.

Se non si utilizza il cavo BX, fornire un filo di terra separato al più vicino rubinetto dell'acqua fredda tubo o altro terreno idoneo, utilizzando la vite nella parte inferiore della campana terminale per il filo di terra (vedere 4C).

B. Se l'alimentatore non include un filo di terra, è necessario fornirne uno

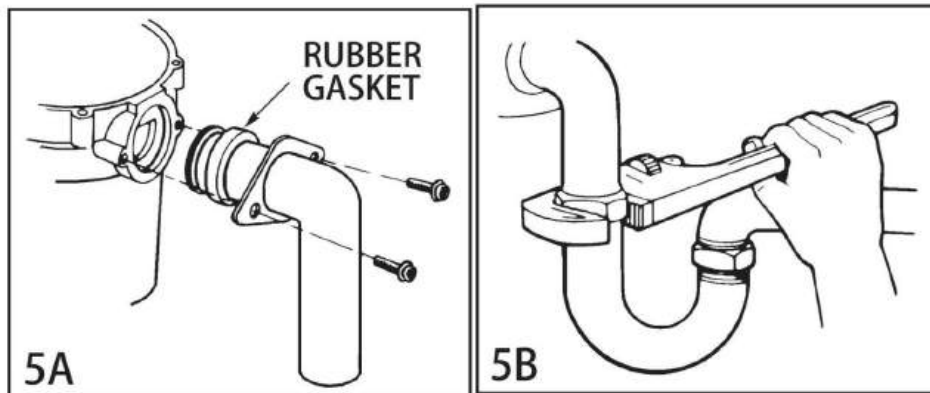
a meno che non venga utilizzato un cavo metallico. Collegare saldamente un filo di rame alla terra dello smaltitore avvitare e collegare l'altra estremità del filo a un tubo di acqua fredda in metallo. Utilizzare solo UL morsetto di terra approvato. Se nella tua casa viene utilizzato un tubo di plastica, un elettricista qualificato dovrebbe installare una messa a terra adeguata.

## 5. FISSAGGIO DEL GOMITO DI SCARICO

A. Collegare il gomito di scarico allo smaltitore (vedere 5A), procedere al passaggio 6 e quindi collegare la parte inferiore del gomito serrando il dado scorrevole (vedere 5B).

B. Se si collega a una lavastoviglie, tornare alla sezione 2B. In caso contrario, assicurarsi che tutti i collegamenti idraulici sono serrati e conformi a tutti i codici idraulici e

ordinanze. Far scorrere l'acqua e controllare eventuali perdite.



## 6. COLLEGAMENTO DEL DISPOSITIVO AL GRUPPO DI MONTAGGIO

### **MONTAGGIO A 3 BULLONI (vedere la sezione 3 per il tipo di montaggio.)**

A. Premere con fermezza attorno al cuscino Hush per assicurarsi che sia agganciato al collo del smaltitore.

B. Lubrificare il bordo superiore interno del cuscino in gomma Hush Cushion con un sapone liquido.

C. Allineare il gomito di scarico dello smaltitore con la trappola sotto il gruppo di montaggio. Guida smaltitore e agganciare la scanalatura del cuscino Hush attorno alla cresta al fondo della flangia del lavandino (vedere 6A e fare riferimento a 3B). Mentre si sostiene ancora il smaltitore, stringere il morsetto a vite attorno a Hush Cushion. Lo smaltitore ora appendere da solo.

D. Se è necessario girare lo smaltitore, assicurarsi che la flangia del lavandino non giri. rompere il sigillo creato al momento dell'installazione. Tornare ai passaggi 5A e 5B.

### **IMPORTANTE-LEGGI PER FAVORE**

Non rimuovere il morsetto da Hush Cushion o Hush Cushion dalla tramoggia. Entrambi i componenti sono installati in fabbrica e pronti per l'installazione.

Lubrificare la superficie angolata superiore del cuscino di gomma Hush Cushion con sapone liquido prima di agganciare lo smaltitore alla flangia del lavandino. Inserire il labbro Hush Cushion nella scanalatura della flangia del lavandino con un leggero movimento oscillatorio. Serrare il morsetto (vedere 6B).

### **EZ MOUNT (vedere la sezione 3 per il tipo di montatura.)**

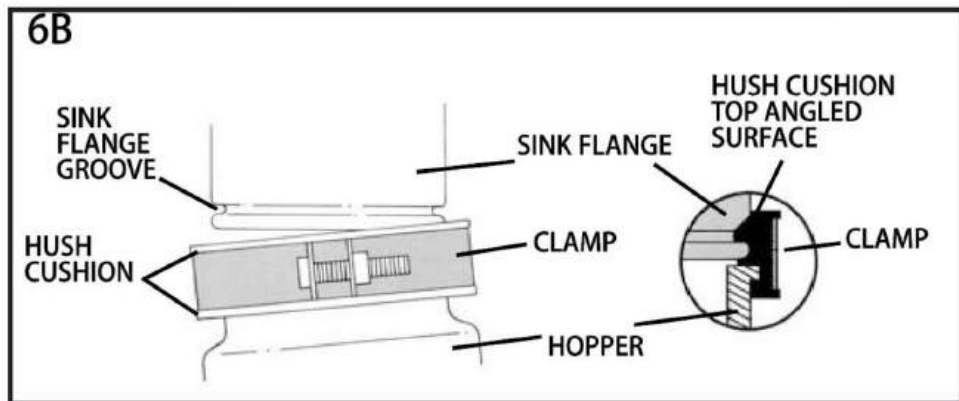
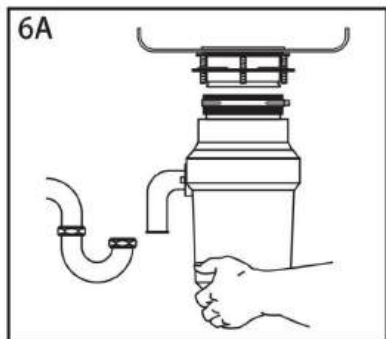
A. Allineare lo smaltitore sotto il gruppo di montaggio. Guidare le sporgenze della tramoggia in slot dell'anello di montaggio. Girare l'anello di montaggio di circa 1/4'a destra in modo che lo smaltitore sia temporaneamente

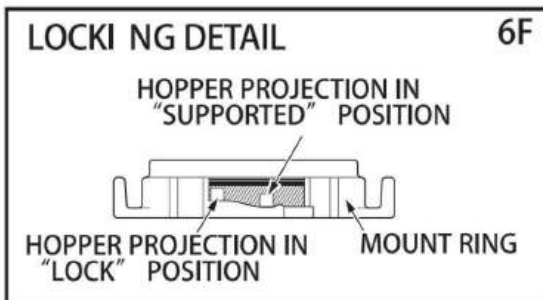
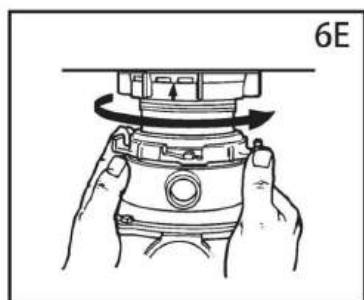
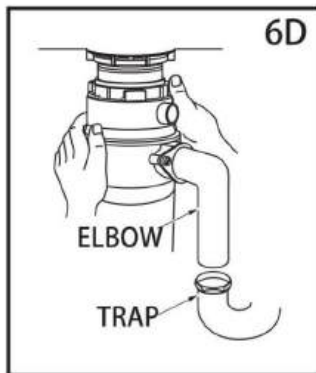
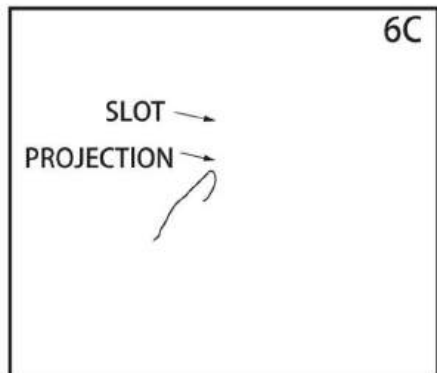
supportato (vedere 6C).

B. Ruotare l'anello di montaggio e il dissipatore finché il gomito del dissipatore non si allinea con la trappola (vedere 6D).

C. Ruotare l'anello di montaggio verso destra (in senso antiorario) finché non si blocca saldamente. Toccare il montare le orecchie dell'anello con un martello fino a raggiungere la posizione di blocco. Hopper le sporgenze devono essere all'estrema sinistra delle fessure di montaggio (vedere 6E).

D. Se l'anello di montaggio è difficile da girare, è possibile aggiungere una piccola quantità di vaselina o sapone liquido alle sporgenze della tramoggia. Far scorrere l'acqua e controllare eventuali perdite.





## 7. ISTRUZIONI PER L'USO

Le giranti girevoli anti-inceppamento emettono un suono di clic quando si muovono in posizione. indica il normale funzionamento.

A. Togliere il tappo del lavandino. Aprire un flusso medio di acqua fredda.

B. Portare l'interruttore in posizione ON: il motore gira a piena velocità ed è pronto per l'uso.

C. Raschiare gli scarti alimentari. Nello scarico finiscono gli scarti della tavola, le bucce, le scorze, i semi, i noccioli, le piccole ossa e i fondi di caffè. Per accelerare lo smaltimento degli scarti alimentari, tagliare o rompere ossa grandi, bucce e pannocchie. Le ossa grandi e le bucce fibrose richiedono richiedono un tempo di macinazione considerevole e vengono gettati più facilmente con altri rifiuti. non allarmatevi se il dissipatore rallenta durante la macinazione. Il dissipatore è in realtà aumenta la coppia (potenza di macinazione) e funziona in condizioni normali condizioni.

D. Prima di spegnere lo smaltitore, lasciare che l'acqua e lo smaltitore funzionino per circa 15 minuti. secondi dopo l'arresto della tritatura. Ciò garantisce che tutti i rifiuti vengano completamente lavati

attraverso sifone e scarico.

### SUGGERIMENTI PER UN FUNZIONAMENTO DI SUCCESSO

A. Assicurarsi che il tritarifiuti sia vuoto prima di utilizzare la lavastoviglie in modo che possa drenare correttamente.

B. Potresti voler lasciare il tappo nello scarico quando non lo usi per evitare utensili e oggetti estranei possano cadere nel tritarifiuti.

C. Il tuo smaltitore è costruito in modo robusto per offrirti molti anni di servizio senza problemi. gestirà tutti i normali rifiuti alimentari, ma NON macinerà o smaltirà tali articoli come plastica, lattine, tappi di bottiglia, vetro, porcellana, pelle, stoffa, gomma, spago, vongole e gusci d'ostrica, fogli di alluminio o piume.

### ISTRUZIONI PER L'USO DELL'ALIMENTAZIONE IN BATCH

Le giranti girevoli anti-inceppamento emettono un suono di clic quando si muovono in posizione. indica il normale funzionamento.

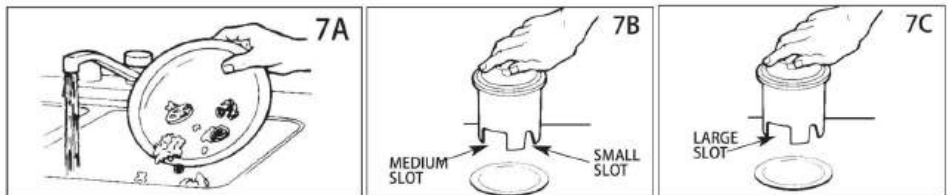
A. Togliere il tappo del lavandino e aprire un flusso medio di acqua fredda.

B. Raschiare gli scarti alimentari. Nello scarico finiscono gli scarti della tavola, le bucce di verdura, le pannocchie, le bucce, i noccioli, le ossa e i fondi di caffè. (vedere 7A)

C. Inserire il tappo per avviare lo smaltitore. (vedere 7B) Una delle due piccole fessure nel tappo la base deve allinearsi con lo stantuffo dell'interruttore all'interno del collo dello smaltitore. Spingere verso il basso saldamente per accendere lo smaltitore. Sollevare il tappo per spegnere lo smaltitore.

D. Far funzionare lo smaltitore per 15 secondi dopo l'arresto della triturazione. Ciò assicura che tutti i rifiuti viene accuratamente lavato attraverso lo scarico.

E. Per riempire il lavandino, inserire il tappo e allineare la fessura più grande con lo stantuffo dell'interruttore. (vedere 7C) Spingere verso il basso per sigillare il lavandino senza avviare lo smaltitore. Quando la fessura è di medie dimensioni (vedere 7B) nella base del tappo è allineata con lo stantuffo dell'interruttore, l'acqua può drenare, ma stoviglie, ecc., non possano cadere accidentalmente nel tritarifiuti.



## 8. RISOLUZIONE DEI PROBLEMI

Prima di richiedere la riparazione o la sostituzione, ti consigliamo di rivedere il seguente.

**RUMORI FORTI:** (oltre a quelli prodotti durante la macinazione di piccole ossa e noccioli di frutta):

Questi sono solitamente causati dall'ingresso accidentale di un cucchiaio, un tappo di bottiglia o altro oggetto estraneo. Per correggere questo, spegnere l'interruttore elettrico e l'acqua. Dopo che lo smaltitore ha fermato, rimuovere \*il paraspruzzi, rimuovere l'oggetto con pinze a manico lungo e sostituire \*paraspruzzi.

**L'UNITÀ NON SI AVVIA:** Scollegare il cavo di alimentazione o accendere l'interruttore a parete o interruttore della scatola dell'interruttore in posizione "OFF", a seconda del modello e del cablaggio configurazione. Rimuovere il tappo e/o il \*paraspruzzi. Controllare se il giradischi ruotare liberamente usando un manico di scopa di legno. Se il piatto girevole ruota liberamente, sostituire\*la protezione antispruzzo e controllare il pulsante di ripristino per vedere se è scattato. Ripristinare Il pulsante è rosso e si trova di fronte al gomito di scarico, vicino al fondo (vedere 8A).

Premere il pulsante finché non scatta e rimane premuto.

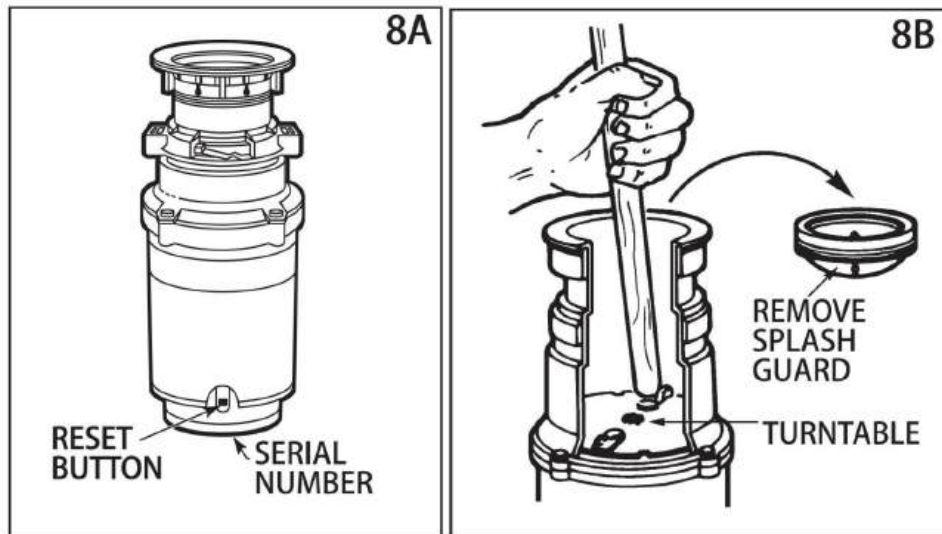
Se il pulsante di ripristino non è scattato, controllare che non vi siano cavi di collegamento in cortocircuito o interrotti. allo smaltitore. Controllare l'interruttore di alimentazione elettrica, la scatola dei fusibili o l'interruttore automatico. Se il cablaggio e componenti elettrici sono intatti, l'unità potrebbe avere problemi interni che richiedono assistenza o sostituzione.

\* La protezione antispruzzo non è utilizzata sull'unità Top Control/Batch Feed.

**SE IL PIATTAFORMA GIREVOLE NON GIRA LIBERAMENTE:** spegnere lo smaltitore, quindi controllare qualsiasi oggetto estraneo incastrato tra il giradischi e l'anello di macinazione. Rimuovere l'oggetto tavolo rotante con manico di scopa in legno e rimuovere l'oggetto. (vedere 8B) Se non è presente un oggetto estraneo, potrebbero esserci problemi interni.

**PERDITE:** Se l'unità perde nella parte superiore, potrebbe essere dovuto a:

1. Posizionamento non corretto della flangia del lavello (centraggio della guarnizione, stucco o serraggio).
2. L'anello di supporto non è serrato correttamente.
3. Supporto del cuscino difettoso o installato in modo non corretto. Se l'unità perde dal gomito di scarico, la perdita potrebbe essere dovuta al serraggio improprio delle viti della flangia del gomito.



## 9. PULIZIA E MANUTENZIONE

10. Per asciugare in lavatrice, metti il prodotto in una lavatrice e asciugatrice per uso domestico a bassa temperatura, sotto i 40°C. Assicurati che il tessuto abbia abbastanza spazio per ruotare liberamente. Se la coperta si tira durante il lavaggio, mentre è ancora umida, allungala delicatamente finché non torna alle sue dimensioni originali.

**NON TENTARE DI LUBRIFICARE IL TUO DISPOSITIVO!**

Il motore è costantemente lubrificato. Il tritarifiuti è autopulente e pulisce le sue parti interne a ogni utilizzo.

**NON mettere MAI** liscivia o prodotti chimici per la pulizia degli scarichi nello smaltitore, poiché causano una grave corrosione delle parti metalliche. Se utilizzati, i danni risultanti possono essere facilmente rilevati e tutte le garanzie sono nulle. Depositi minerali provenienti dall'acqua possono formarsi sul piatto girevole in acciaio inossidabile, dando l'aspetto della ruggine. **NON ALLARMARTI**, i piatti girevoli in acciaio inossidabile utilizzati non si corrodono.

## Specifiche del prodotto

Modello	Ingresso	Valutato energia	Modalità di installazione	Tipo di motore
Codice JW-301	120Vac/60Hz	1/2 HP	Tipo di blocco a torsione installazione	Motore a corrente continua
Modello JW-301DCN	220-240Vac, 50Hz 1 CV	1/2 HP	Tipo di blocco a torsione installazione	Motore a corrente continua
JWM-331	120Vac/60Hz	1/2 HP	Motore CC con montaggio a 3 bulloni	
JWM-331DCN	220-240Vac, 50Hz 1 CV	1/2HP	Motore CC con montaggio a 3 bulloni	
Modello JWM-V50	120Vac/60Hz	3/4 CV	Motore CC con montaggio a 3 bulloni	
JWM-V50A	220-240Vac, 50Hz 1 CV	3/4 CV	Motore CC con montaggio a 3 bulloni	
Modello JW-V50	120Vac/60Hz	3/4 CV	Tipo di blocco a torsione installazione	Motore a corrente continua
Modello JW-V50A	220-240Vac, 50Hz 1 CV	3/4 CV	Motore CC con montaggio a 3 bulloni	
Codice JW-731	120Vac/60Hz	1HP	Tipo di blocco a torsione installazione	Motore a corrente continua
Modello JW-731DCN	220-240Vac, 50Hz 1 CV	1HP	Motore CC con montaggio a 3 bulloni	
JWM-931	120Vac/60Hz 1,25HP		Tipo di blocco a torsione installazione	Motore a corrente continua
Modello JWM-931DCN	220-240Vac, 50Hz 1 CV	Motore CC da	1,25 HP con montaggio a 3 bulloni	

**VEVOR<sup>®</sup>**

**TOUGH TOOLS, HALF PRICE**

**Supporto tecnico e certificato di garanzia  
elettronica [www.vevor.com/support](http://www.vevor.com/support)**



Soporte técnico y certificado de garantía electrónica [www.vevor.com/support](http://www.vevor.com/support)

## Eliminación de basura

Modelo: JW-301 / JW-301DCN / JWM-331 /  
JWM-331DCN/JWM-V50/JWM-V50A/JW-V50/JW-V50A  
/JW-731/JW-731DCN/JWM-931/JWM-931DCN

Seguimos comprometidos a brindarle herramientas a precios competitivos.

"Ahorre la mitad", "mitad de precio" o cualquier otra expresión similar que utilicemos solo representa una estimación del ahorro que podría obtener al comprar ciertas herramientas con nosotros en comparación con las principales marcas y no necesariamente significa que cubra todas las categorías de herramientas que ofrecemos.

Le recordamos que, al realizar un pedido con nosotros, verifique cuidadosamente si realmente está ahorrando la mitad en comparación con las principales marcas.

# VEVOR<sup>®</sup>

TOUGH TOOLS, HALF PRICE

Eliminación de basura  
Manual de instrucciones



JW-301



JW-301DCN



JWM-331



JWM-331DCN



JWM-V50



JWM-V50A



JW-V50



JW-V50A



JW-731



JW-731DCN



JWM-931



JWM-931DCN

## ¿NECESITAS AYUDA? ¡CONTÁCTANOS!

¿Tiene preguntas sobre el producto? ¿Necesita asistencia técnica? No dude en ponerse en contacto con nosotros.

© 2023 VEVOR

Soporte técnico y certificado de garantía electrónica

[www.vevor.com/support](http://www.vevor.com/support)

Estas son las instrucciones originales, lea todas las instrucciones del manual antes de operar. VEVOR se reserva una interpretación clara de nuestras manual de usuario. La apariencia del producto estará sujeta a las producto que recibiste. Por favor, perdónanos por no informarte nuevamente si ¿Hay alguna actualización tecnológica o de software en nuestro producto?

## ¡Lea atentamente este manual antes de usarlo!

ADVERTENCIA: Al utilizar el triturador de residuos de alimentos, siempre se deben tomar precauciones básicas.

a seguir, incluyendo lo siguiente:

- 1) Lea todas las instrucciones antes de utilizar el triturador.
- 2) Para reducir el riesgo de lesiones, se requiere una estrecha supervisión cuando se utiliza un triturador. utilizado cerca de niños.
- 3) No introduzca los dedos ni las manos en el triturador de basura.
- 4) Coloque el interruptor de encendido en la posición de apagado antes de intentar eliminar un atasco o retirar un objeto del triturador.
- 5) Cuando intente aflojar un atasco en un triturador, utilice un objeto largo de madera como como una cuchara de madera o el mango de madera de una escoba o un trapeador.
- 6) Cuando intente retirar objetos de un triturador, utilice pinzas de mango largo o Alicates. Para un triturador que se activa magnéticamente, utilice herramientas no magnéticas.
- 7) Para reducir el riesgo de lesiones causadas por materiales que pueden ser expulsados por un triturador, no Coloque lo siguiente en un triturador:
  - a) Conchas de almejas u ostras. b) Limpiadores de desagües cáusticos o productos similares. c) Vidrio, porcelana o plástico. d) Huesos enteros grandes. e) Metal, como tapas de botellas, latas o utensilios.
  - f) Grasa caliente u otros líquidos calientes.

8) Cuando no esté utilizando el triturador, deje la tapa de drenaje en su lugar para reducir el riesgo de que caigan objetos en el triturador.

## INSTRUCCIONES DE PUESTA A TIERRA

Este triturador debe estar conectado a tierra para reducir el riesgo de descarga eléctrica en caso de mal funcionamiento o avería. La conexión a tierra proporciona una ruta de menor resistencia para la corriente eléctrica. Este triturador está equipado con un cable que tiene un conductor de conexión a tierra del equipo y un enchufe de conexión a tierra. El enchufe debe enchufarse a una toma de corriente que esté correctamente instalada y conectada a tierra de acuerdo con todos los códigos y ordenanzas locales. ADVERTENCIA: la conexión incorrecta del conductor de conexión a tierra del equipo puede generar riesgo de descarga eléctrica. Consulte con un electricista o técnico calificado si tiene dudas sobre si el triturador está correctamente conectado a tierra. Si el enchufe provisto con el triturador no encaja en la toma de corriente, no modifique el enchufe ni intente repararlo.

Consulte el inserto para obtener información específica sobre su nuevo triturador. Enchufe el controlador a la pared Una vez que haya conectado correctamente el cable de alimentación al conector, enchufe la almohadilla térmica a la pared.

### NOTA:

Este triturador de residuos de alimentos ha sido diseñado para funcionar exclusivamente con 120/240 voltios, 60/50 Hz.

El uso de cualquier otro voltaje o Hz afecta negativamente al rendimiento.

### IMPORTANTE:

Lea todas las instrucciones detenidamente. Conserve esta guía para futuras consultas.

### PRECAUCIÓN:

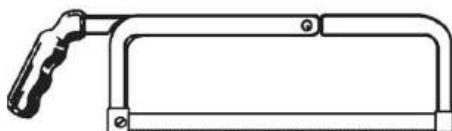
Asegúrese de revisar PRIMERO LAS INSTRUCCIONES DE SEGURIDAD RELACIONADAS CON UN RIESGO DE INCENDIO, ELECTRICIDAD

CHOQUES ELÉCTRICOS O LESIONES A PERSONAS antes de utilizar el triturador.

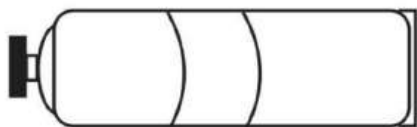
## Herramientas y materiales que puedes necesitar



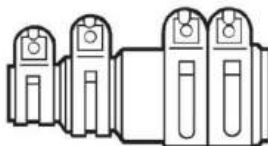
PHILLIPS & FLATBLADE  
SCREWDRIVER



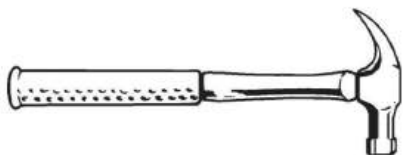
HACKSAW



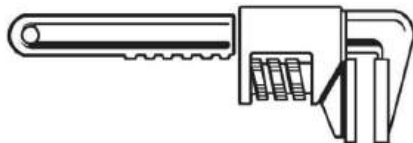
PLUMBER' S PUTTY



DISHWASHER CONNECTOR KIT



HAMMER



PIPE WRENCH



DOWEL OR  
STEEL PUNCH



POWER CORD



STRAIN RELIEF

## INSTRUCCIONES DE SEGURIDAD IMPORTANTES

INSTRUCCIONES RELATIVAS AL RIESGO DE INCENDIO, DESCARGA ELÉCTRICA O LESIONES A PERSONAS. GUARDE ESTAS INSTRUCCIONES.

ADVERTENCIA - Al utilizar aparatos eléctricos, siempre se deben tomar precauciones básicas.

seguido, incluyendo lo siguiente:

1. Lea todas las instrucciones antes de utilizar el aparato.
2. Para reducir el riesgo de lesiones, es necesaria una estrecha supervisión cuando se utiliza un aparato. utilizado cerca de niños.
3. No introduzca los dedos ni las manos en el triturador de basura.
4. Coloque el interruptor de encendido en la posición de apagado antes de intentar eliminar un atasco o retirar un objeto del triturador.
5. Cuando intente aflojar un atasco en un triturador de basura, utilice un objeto largo de madera. como una cuchara de madera o el mango de madera de una escoba o un trapeador.
6. Cuando intente retirar objetos de un triturador de basura, utilice herramientas con mango largo. pinzas o alicates. Si el triturador se acciona magnéticamente, se deben utilizar herramientas no magnéticas. utilizarse.
7. Para reducir el riesgo de lesiones por materiales que puedan ser expulsados por un contenedor de desechos. triturador, no coloque lo siguiente en un triturador: conchas de almejas u ostras; cáustico limpiadores de desagües o productos similares; vidrio, porcelana o plástico; huesos enteros grandes; metal, como tapas de botellas, latas, papel de aluminio o utensilios; grasa caliente u otros líquidos; hojas de maíz enteras.
8. Cuando no esté utilizando un triturador, deje el tapón en su lugar para reducir el riesgo de objetos que caen en el triturador.
9. NO opere el triturador a menos que la protección contra salpicaduras esté colocada. (No se aplica a las unidades de control superior/alimentación por lotes).
10. Para obtener instrucciones de conexión a tierra adecuadas, consulte CONEXIÓN ELÉCTRICA. parte de este manual.

## 1. RETIRADA DE LA UNIDAD ANTIGUA

INSTRUCCIONES TÍPICAS, SU MODELO PUEDE VARIAR.

Antes de comenzar este paso, apague la energía eléctrica en el disyuntor o en la caja de fusibles.

Si su soporte anterior es el mismo que el soporte de su nuevo triturador, simplemente invierta el

Las instrucciones de montaje se encuentran en la sección 3. Si su nuevo sistema de montaje es diferente,

Siga estas instrucciones:

A. Use una llave para tubos para desconectar la línea de drenaje donde se conecta al triturador.

tubo de descarga (ver 1A).

B. Retire el triturador de la brida del fregadero girando el anillo de montaje hacia la izquierda en el sentido de las agujas del reloj.

(ver 1B). Si no puede girar el anillo de montaje, toque una de las extensiones.

del anillo con un martillo. Algunos sistemas de montaje tienen extensiones tubulares.

Insertar un destornillador en un tubo proporcionará un apalancamiento adicional para girarlo.

Anillo de montaje (ver 1B). Algunos trituradores pueden requerir la extracción o el aflojamiento de las tuercas.

de los tornillos de montaje (ver 1C). Algunos trituradores pueden requerir la extracción de un

abrazadera.

Precaución: Asegúrese de sostener el triturador mientras realiza este paso o podría caerse.

cuando el anillo de montaje se desconecta del conjunto de montaje. Si su

El triturador está cableado (cable blindado de metal que no utiliza un enchufe de pared), completo

Pasos C y D. Si utiliza un cable enchufable, continúe con el paso E.

C. Cuando se retira el triturador, déle la vuelta y retire la cubierta eléctrica.

placa (ver 1D).

D. Utilice un destornillador para quitar el cable de tierra verde. Retire las tuercas para cables del cable negro.

y cables de alimentación blancos y cables de triturador separados de los cables de alimentación.

Afije los tornillos de la abrazadera del cable y separe el cable del triturador.

E. Para quitar el sistema de montaje restante del fregadero, afloje los tornillos de montaje, empuje

Monte el anillo hacia arriba. Debajo está el anillo de presión. Use un destornillador para sacar el anillo (ver 1E).

Retire el anillo de montaje, el anillo protector y la junta de la brida del fregadero. Algunos soportes

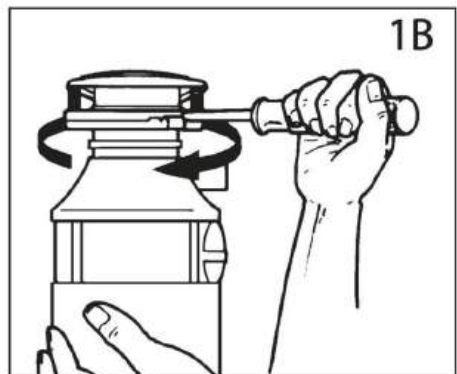
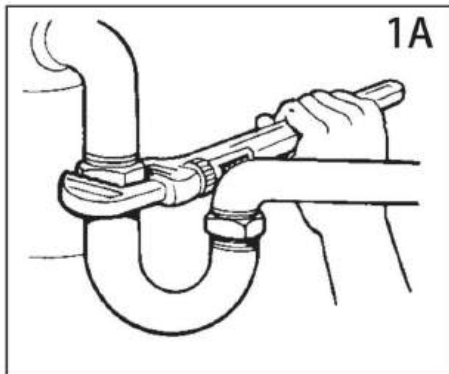
requiere desatornillar un anillo grande que sujeta la brida del fregadero en su lugar. Tire del fregadero

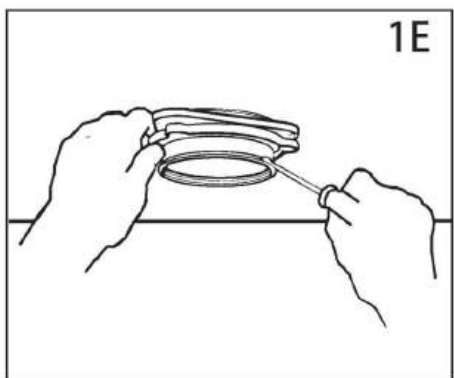
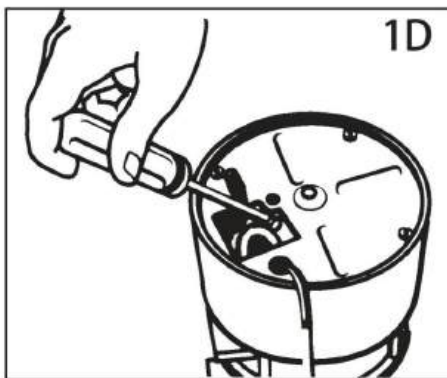
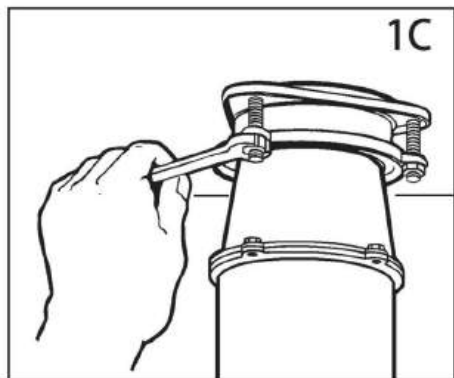
Coloque la brida hacia arriba a través del fregadero y limpie la masilla vieja del fregadero.

**IMPORTANTE:** A menos que tengas una casa nueva, este es un buen momento para hacer limpieza.

las líneas de trampa y drenaje pasando una barrena de drenaje o una serpiente de plomero antes

Instalación de su nuevo triturador.



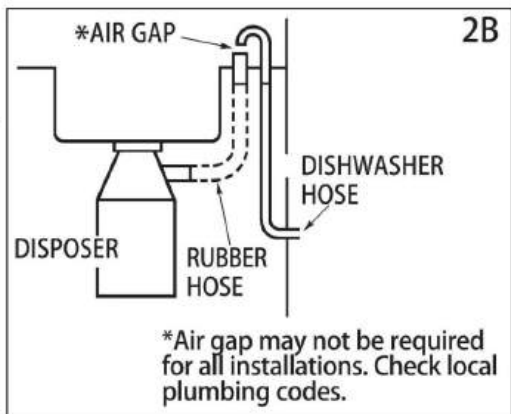


## 2. CONEXIÓN LAVAVAJILLAS

Si utiliza un lavavajillas, complete el siguiente procedimiento. Si no va a conectar el lavavajillas, continúe con la sección 3.

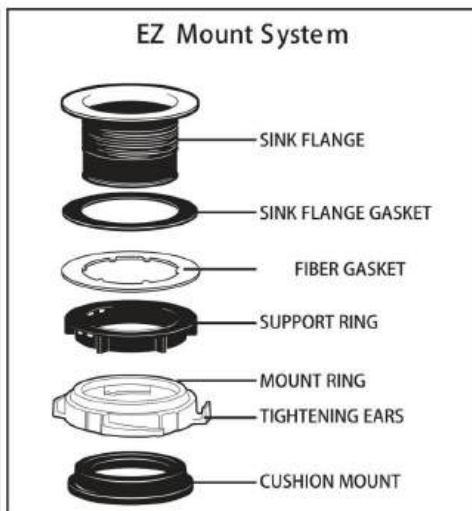
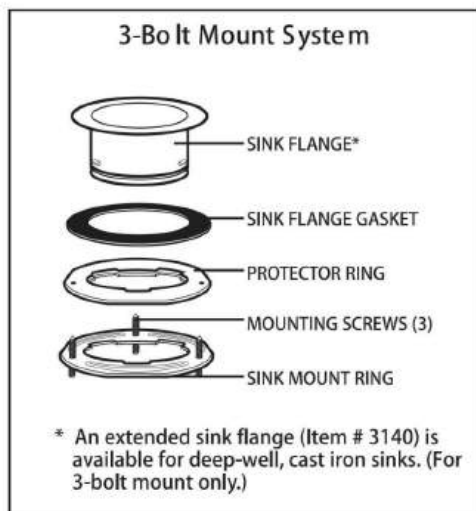
A. Con un instrumento sin filo (un punzón de acero o una clavija de madera), saque todo el tapón (consulte el punto 2A). No utilice un destornillador ni ningún instrumento afilado. Cuando el tapón se caiga en el triturador, puede quitarlo o simplemente triturarlo cuando utilice el triturador. Esto no dañará el triturador de ninguna manera, pero puede llevar algún tiempo triturarlo, a lo largo de varios usos. Vaya a la Sección 3.

B. Conecte la manguera del lavavajillas con una abrazadera. Si el tamaño de la manguera es diferente, necesitará un kit de conexión para lavavajillas (consulte 2B). Asegúrese de que todas las conexiones de plomería estén ajustadas y de acuerdo con todos los códigos y ordenanzas de plomería. Deje correr el agua y comprobar si hay fugas.



### 3. INSTALACIÓN DEL CONJUNTO DE MONTAJE

SU TRITURADOR VIENE CON UNO DE LOS SIGUIENTES SOPORTES SISTEMAS



Continúe con las instrucciones correspondientes a su tipo de sistema de montaje.

Sistema de montaje de 3 pernos

LEA COMPLETAMENTE ANTES DE COMENZAR

NOTA: Preste mucha atención al orden de las piezas del conjunto de montaje, ya que han sido ensambladas correctamente en fábrica. (Consulte 3A y 3B).

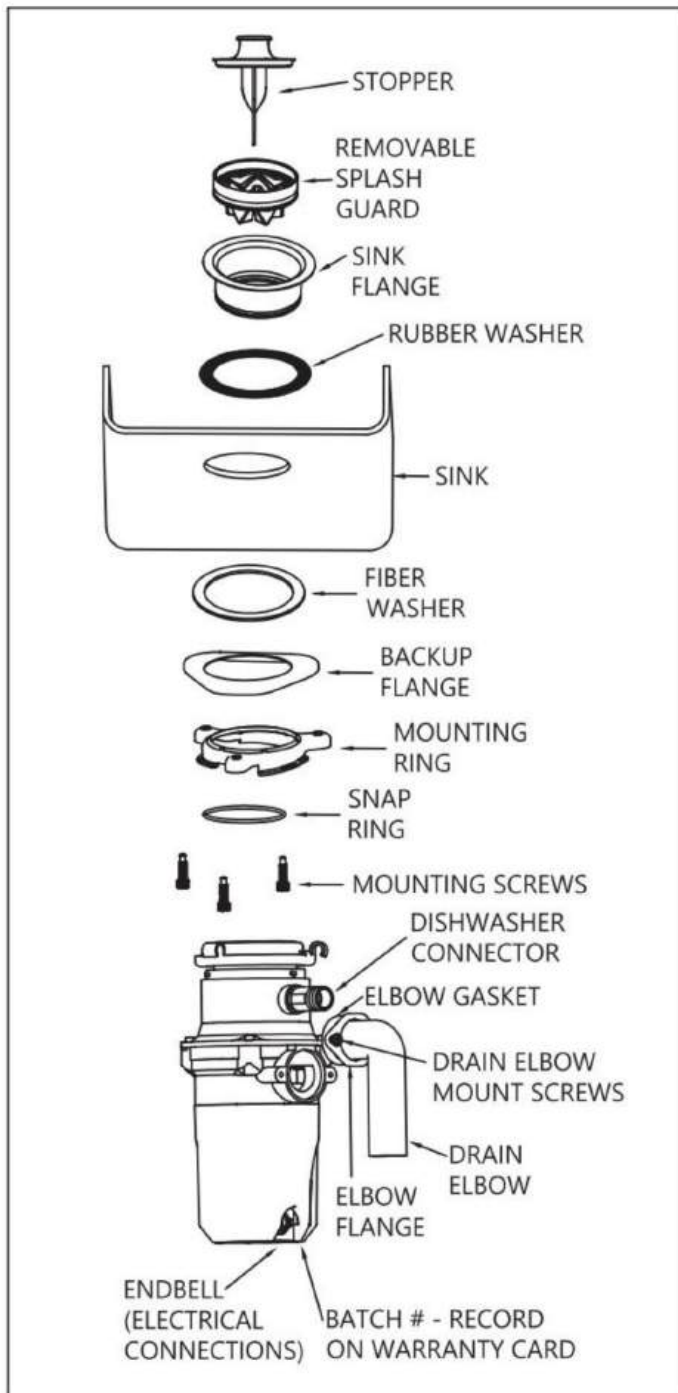
A. Desmonte el conjunto de montaje, tal como se envió, girando la brida del fregadero hasta que las proyecciones se alineen con las muescas del anillo de montaje y le permitan sacar la brida del fregadero del conjunto de montaje restante. Tenga en cuenta la secuencia de estas piezas a medida que están apiladas y consulte 3A y 3B para identificar cada pieza. Desempaquete los 3 tornillos de montaje y atorníllelos hasta la mitad del anillo de montaje (observe que la palabra "THIS SIDE UP" (ESTE LADO HACIA ARRIBA) está impresa en la parte superior del anillo de montaje). A continuación, apile la junta de goma sobre el anillo protector y colóquela sobre los extremos puntiagudos de los tornillos de montaje.

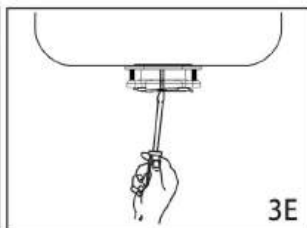
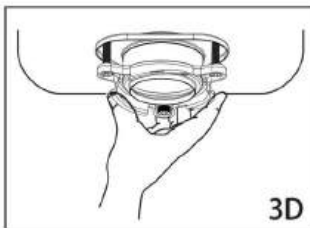
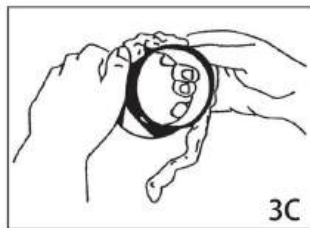
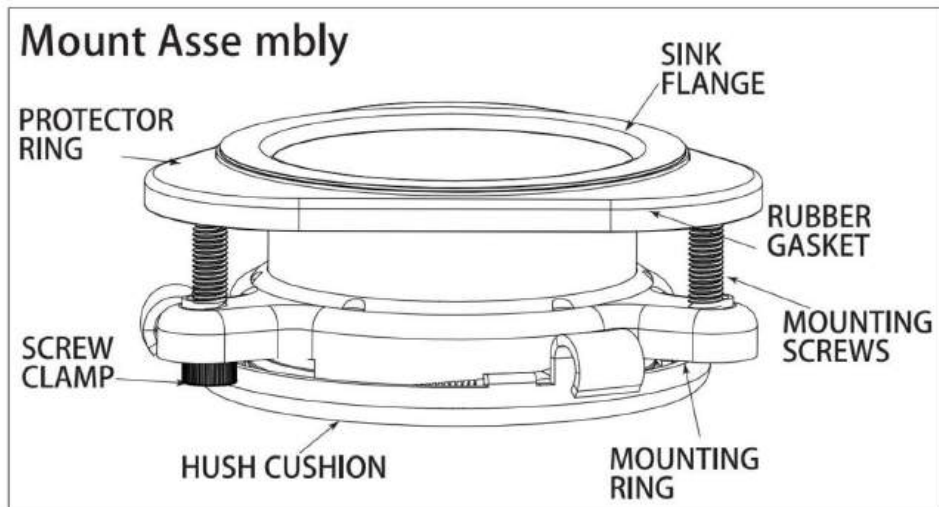
B. Mantenga juntas estas piezas ensambladas y déjelas a un lado. Antes de conectar el triturador al conjunto de montaje debajo del fregadero, puede practicar cómo acoplar la ranura del cojín Hush Cushion a la cresta en la parte inferior de la brida del fregadero (consulte 3A y lea la sección 6).

C. Asegúrese de que el fregadero esté limpio. Rellene el borde inferior de la brida del fregadero con masilla de plomero (consulte 3C). Coloque la brida del fregadero de manera que quede centrada y se pueda leer al mirar dentro del fregadero. Empuje la brida del fregadero firmemente en la abertura del fregadero para lograr un buen sellado. NO mueva ni gire la brida del fregadero una vez colocada, ya que el sello podría romperse.

D. Tome la parte restante del conjunto de montaje, tal como estaba apartada, y asegúrese de que la junta de goma esté sobre el anillo protector. Desde debajo del fregadero, mientras sostiene firmemente la brida del fregadero con una mano, alinee las muescas del anillo de montaje con las proyecciones de la brida del fregadero. Deslice el conjunto de montaje hacia arriba sobre la brida del fregadero, más allá de las proyecciones, y déle un cuarto de vuelta al conjunto de montaje, de modo que quede colgado por sí solo (consulte 3D).

E. Ajuste los 3 tornillos de montaje de manera uniforme con un destornillador (consulte 3E). ¡NO APRIETE DEMASIADO! Recorte el exceso de masilla.





## Sistema de montaje EZ

### LEA COMPLETAMENTE ANTES DE COMENZAR

NOTA: Preste mucha atención al orden de las piezas del conjunto de montaje, ya que tienen

Se ha ensamblado correctamente en fábrica. Además, consulte el detalle del soporte del cojín.

en la ilustración 3J a continuación para la orientación correcta del soporte del cojín.

NOTA: Intente practicar este montaje antes de meterse debajo del fregadero para tener una idea de cómo encajan las piezas.

A. Desmonte el conjunto de montaje del triturador girando el anillo de montaje hacia la izquierda.

(en el sentido de las agujas del reloj) y retirar.

B. Levante el anillo de montaje hacia la parte superior de la brida del fregadero. Retire el soporte acolchado.

Anillo de montaje. Es posible que desee practicar la instalación del soporte de amortiguación en este punto.

antes de que esté debajo del fregadero. Consulte el párrafo H. Consulte también el "Aviso importante:

Detalle del montaje del cojín.

C. Desatornille el anillo de soporte de la brida del fregadero y retire la junta de fibra. Ahora está listo.

Izquierda con brida de fregadero y junta de goma.

D. La junta de goma se utiliza en lugar de masilla de fontanero con fregaderos de acero inoxidable.

Otros lavabos requerirán masilla.

E. Si no se utiliza masilla, inserte la brida del fregadero a través de la junta de goma en la abertura del fregadero.

No gire la brida del fregadero una vez colocada.

F. Si usa masilla en lugar de la junta, forme un anillo alrededor de la parte inferior del fregadero.

Brida. Inserte la brida en la abertura del fregadero, presione con fuerza para exprimir el exceso.

Masilla. Desde debajo del fregadero, recorte el exceso de masilla al ras del borde inferior del fregadero.

apertura.

G. Desde debajo del fregadero, deslice la junta de fibra sobre la brida expuesta del fregadero. Con flechas apuntando hacia arriba, atornille el anillo de soporte en la brida del fregadero, apriete a mano hasta que el fregadero

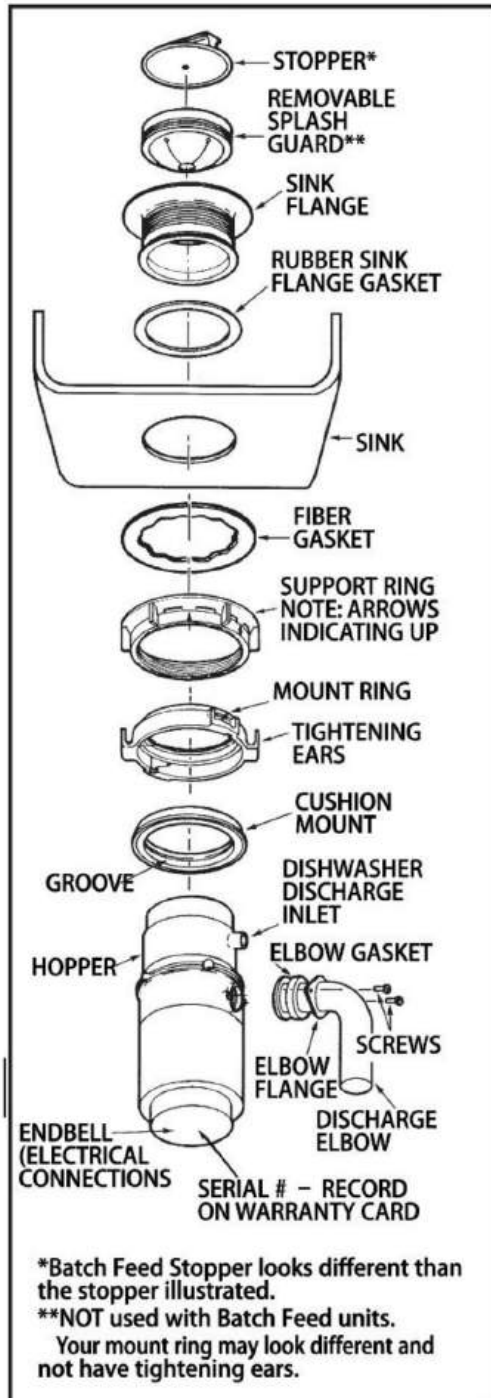
La brida no se mueve (ver 3F). En este punto, es posible que desee insertar un tapón en el fregadero.

y llenar con agua para verificar el estado de la brida del fregadero y asegurarse de que no haya fugas.

H. Coloque el anillo de montaje sobre la brida del fregadero y manténgalo en su lugar mientras instala el cojín.

Monte (con el lado grande hacia abajo) de modo que la ranura en el interior del soporte del cojín encaje sobre el borde en la brida del fregadero, similar a colocar la tapa en un recipiente de plástico (ver 3G, 3H y 3J).

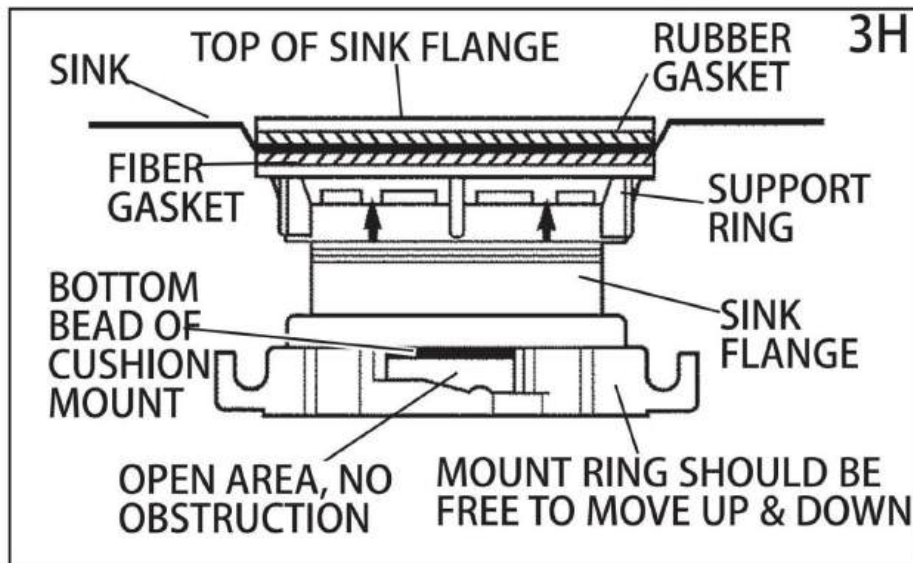
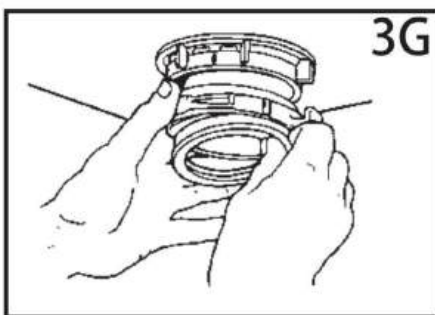
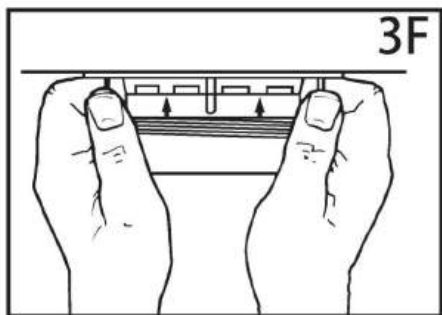
Por favor lea el aviso importante a continuación.

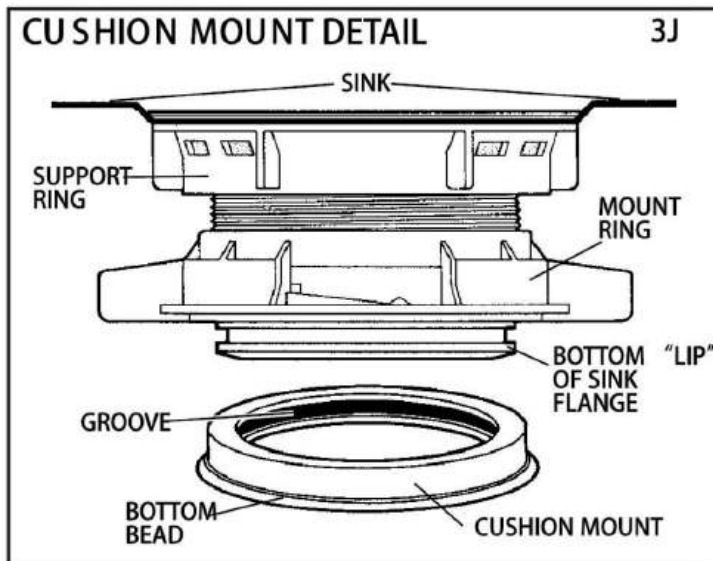


## AVISO IMPORTANTE: DETALLE DEL SOPORTE DEL COJÍN

Cuando el soporte de almohadilla está instalado correctamente, el borde de la brida de tinta encaja en la ranura en el interior del soporte de almohadilla y el anillo de montaje se puede tirar hacia abajo sobre el soporte de almohadilla y podrá girar libremente. El borde inferior del soporte de almohadilla

El soporte actúa como una junta entre la parte inferior de la brida del depósito de tinta y la parte superior del triturador. Véase la ilustración 3J.





#### 4. CONEXIONES ELÉCTRICAS

Ahora es el momento de registrar el NÚMERO DE SERIE (ubicado en la parte inferior del triturador) en la tarjeta de garantía.

SI NO ESTÁ FAMILIARIZADO CON LA ENERGÍA ELÉCTRICA Y SUS PROCEDIMIENTOS,  
ELECTRICISTA CALIFICADO DE CALLA

ADVERTENCIA: CONEXIÓN INCORRECTA DEL GRUPO DE EQUIPOS

EL CONDUCTOR DE ALARMA PUEDE RESULTAR EN RIESGO DE DESCARGA ELÉCTRICA.

CON ELECTRICISTA O MANTENIMIENTO PERSONALIZADO SI TIENE DUDAS

S ALMACENAMIENTO SI EL APARATO ESTÁ CORRECTAMENTE CONECTADO A TIERRA. NO

MODIFIQUE EL ENCHUFE PROVISTO CON EL APARATO SI NO ENCAJA

LA TOMA DE CORRIENTE, HAGA QUE UN PROFESIONAL CALIFICADO INSTALE UNA TOMA DE CORRIENTE ADECUADA.  
ELECTRICISTA.

#### INSTRUCCIONES DE PUESTA A TIERRA

PARA ELIMINADORES DE RESIDUOS EQUIPADOS CON ENCHUFE CONECTADO A TIERRA  
CABLE.

Nunca utilice este producto de calentamiento con:

Este aparato debe estar conectado a tierra. En caso de mal funcionamiento o avería, la conexión a tierra proporciona una ruta de menor resistencia para la corriente eléctrica, lo que reduce el riesgo.

de descarga eléctrica. Este aparato está equipado con un cable que tiene un

Conductor de puesta a tierra del equipo y un enchufe de puesta a tierra. El enchufe debe estar enchufado.

en una toma de corriente adecuada que esté correctamente instalada y conectada a tierra de acuerdo con con todos los códigos y ordenanzas locales.

PARA LOS TRITURADORES DE RESIDUOS QUE NO ESTÁN EQUIPADOS CON ENCHUFE CON CONEXIÓN A TIERRA CABLE DE ALIMENTACIÓN.

Este aparato debe estar conectado a tierra. En caso de mal funcionamiento o avería, la conexión a tierra proporciona una ruta de menor resistencia para la corriente eléctrica, lo que reduce el riesgo.

de descarga eléctrica. El cable de alimentación (que se va a instalar) debe tener un equipo

conductor de puesta a tierra y un enchufe de puesta a tierra. El enchufe debe estar enchufado a un

toma de corriente adecuada que esté correctamente instalada y conectada a tierra de acuerdo con todas las códigos y ordenanzas locales.

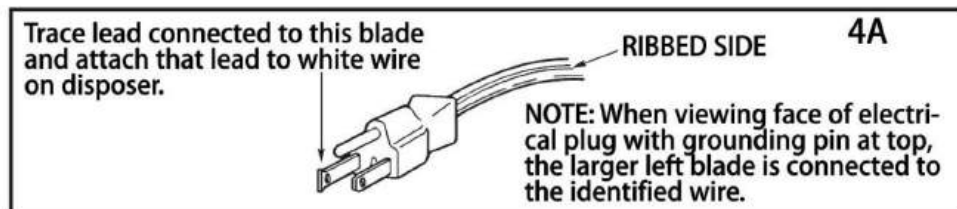
Desconecte la energía eléctrica del circuito del triturador antes de la instalación. Apague el circuito

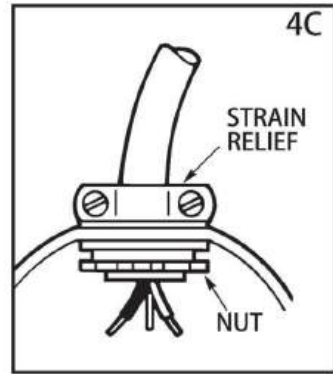
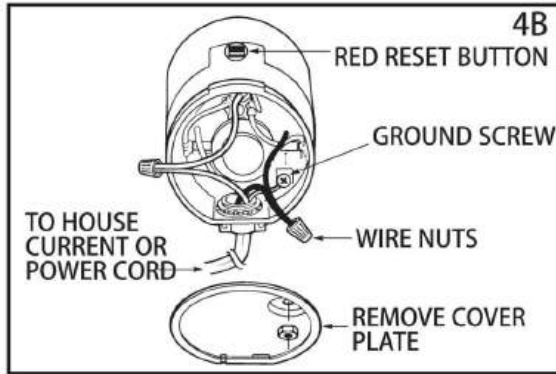
Coloque el disyuntor en la posición OFF (APAGADO) o retire el fusible.

A. Conecte el triturador a una corriente alterna de 110-120 voltios, 60 Hz únicamente.

B. Si se utiliza un cable enchufable, utilice un enchufe de tres clavijas (consulte 4A). El cable de tierra debe estar conectado al tornillo a tierra en la parte inferior de la campana del extremo (ver 4B).

C. Utilice un conector de alivio de tensión con abrazadera de cable donde el cable de alimentación ingresa al desechar (ver 4C).





Cableado del triturador directamente a la corriente doméstica Este aparato debe estar conectado a una sistema de cableado permanente de metal conectado a tierra o un equipo. conductor de puesta a tierra Debe correr con los conductores del circuito y conectarse a la conexión a tierra del equipo. terminador o cable en el aparato.

A. Si utiliza un cable BX:

1. Instale el conector del cable en el orificio.
2. Conecte el cable blanco al cable blanco del triturador.
3. Conecte el negro.
4. Conecte la tierra desnuda.

Si no se utiliza un cable BX, proporcione un cable de tierra separado al metal de agua fría más cercano. tubería u otro terreno adecuado, utilizando el tornillo en la parte inferior de la correa del extremo para cable de tierra (ver 4C).

B. Si su fuente de alimentación no incluye un cable de tierra, debe proporcionar uno.

A menos que se utilice un cable de metal, conecte un cable de cobre de forma segura a la toma de tierra del triturador.

Atornille y fije el otro extremo del cable a una tubería de agua fría de metal. Use solo cables UL

Abrazadera de tierra homologada. Si se utilizan tuberías de plástico en su hogar, un electricista calificado

Debería instalarse una conexión a tierra adecuada.

## 5. COLOCACIÓN DEL CODO DE DESCARGA

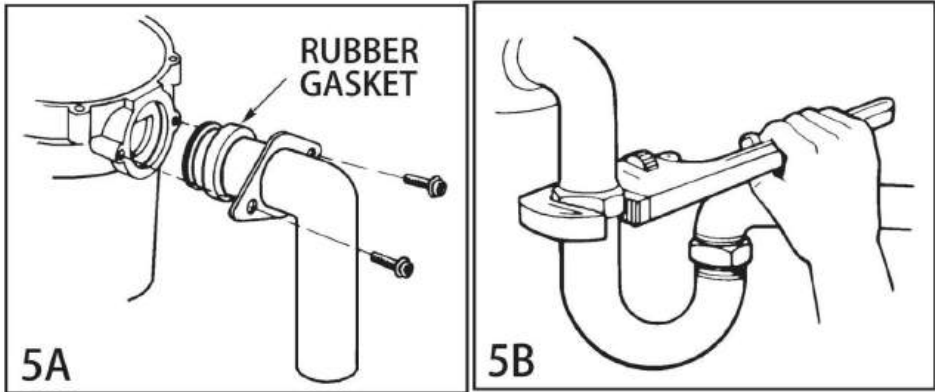
A. Conecte el codo de desechos al triturador (ver 5A), continúe con el paso 6 y luego

Conecte la parte inferior del codo apretando la tuerca deslizante (ver 5B).

B. Si se conecta a un lavavajillas, vuelva a la sección 2B. Si no, asegúrese de que todos

Las conexiones de plomería están ajustadas y de acuerdo con todos los códigos de plomería y

Ordenanzas. Deje correr el agua y compruebe que no haya fugas.



## 6. CONEXIÓN DEL TRITURADOR AL CONJUNTO DE SOPORTE

MONTAJE DE 3 PERNOS (Consulte la sección 3 para conocer el tipo de montaje).

A. Presione firmemente alrededor del cojín Hush para asegurarse de que esté acoplado al cuello de desecharlo.

B. Lubrique el borde interior superior del cojín de goma Hush Cushion con un jabón líquido.

C. Alinee el codo de descarga del triturador con el sifón debajo del conjunto de montaje. Guía

Levante el triturador y coloque la ranura del cojín Hush Cushion alrededor de la cresta en la parte inferior de la brida del fregadero (consulte 6A y vuelva a consultar 3B). Mientras sigue sosteniendo el triturador, apriete la abrazadera de tornillo alrededor del cojín Hush. El triturador ahora colgarse solo

D. Si necesita girar el triturador, asegúrese de que la brida del fregadero no gire.

Romper el sello creado durante la instalación. Volver a los pasos 5A y 5B.

**IMPORTANTE-POR FAVOR LEER**

No retire la abrazadera del cojín Hush ni el cojín Hush de la tolva. Ambos

Las piezas están instaladas de fábrica y listas para su instalación.

Lubrique la superficie superior en ángulo del cojín de goma Hush Cushion con jabón líquido antes

Enganche el triturador a la brida del fregadero. Coloque el borde del amortiguador Hush en la ranura de la brida del fregadero, utilizando un ligero movimiento de balanceo. Apriete la abrazadera (ver 6B).

MONTAJE FÁCIL (Consulte la sección 3 para conocer el tipo de montaje).

A. Alinee el triturador debajo del conjunto de montaje. Guíe las proyecciones de la tolva hacia adentro.

ranuras del anillo de montaje. Gire el anillo de montaje aproximadamente 1/4" hacia la derecha para que el triturador quede temporalmente

compatible (ver 6C).

B. Gire el anillo de montaje y el triturador hasta que el codo del triturador quede alineado con la trampa (ver 6D).

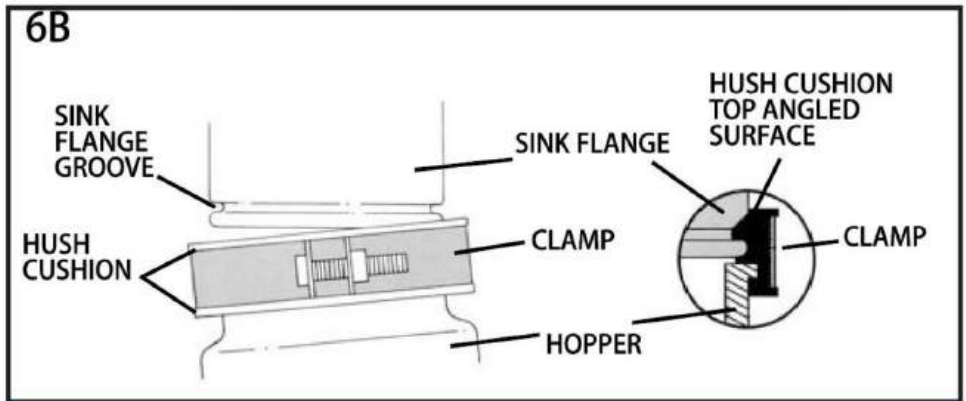
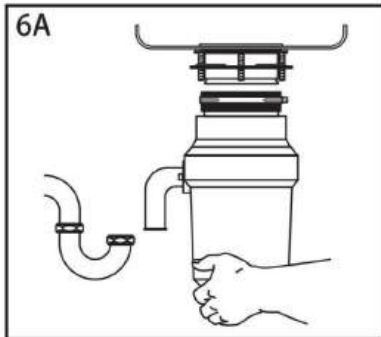
C. Gire el anillo de montaje hacia la derecha (en sentido contrario a las agujas del reloj) hasta que quede bien fijado.

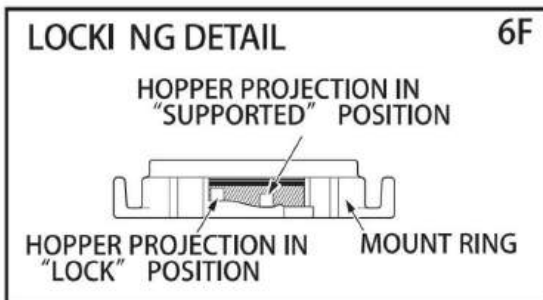
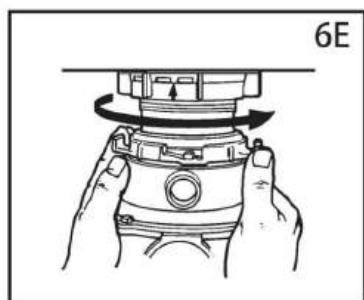
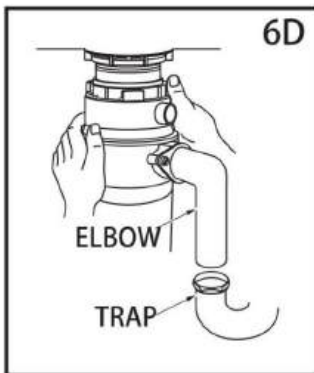
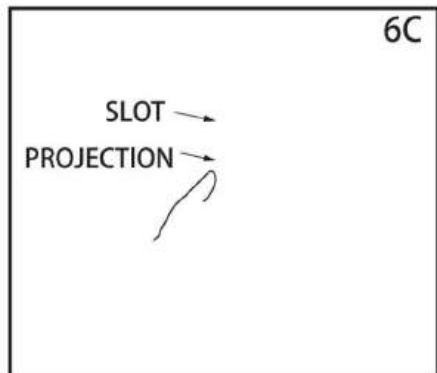
Monte las orejas del anillo con un martillo hasta conseguir la posición de bloqueo. Tolva

Las proyecciones deben estar en el extremo izquierdo de las ranuras de montaje (ver 6E).

D. Si el anillo de montaje es difícil de girar, puede agregar una pequeña cantidad de vaselina o

Jabón líquido en las proyecciones de la tolva. Deje correr el agua y verifique que no haya fugas.





## 7. INSTRUCCIONES DE USO

Los impulsores giratorios antiatasco hacen un sonido de clic cuando giran hacia su lugar.

Indica funcionamiento normal.

A. Quite el tapón del fregadero. Abra el grifo con un flujo medio de agua fría.

B. Gire el interruptor a la posición ON; el motor estará girando a máxima velocidad y listo para usar.

C. Raspe los desechos de comida. Los restos de comida, las cáscaras, las semillas, los carozos, los huesos pequeños y los posos de café se tiran por el desagüe. Para acelerar la eliminación de los desechos de comida, corte o

Romper huesos grandes, cáscaras y mazorcas. Los huesos grandes y las cáscaras fibrosas requieren tardan mucho en triturarse y se desechan más fácilmente con el resto de la basura.

No se alarme si el triturador disminuye la velocidad mientras tritura. El triturador es

En realidad, aumenta el par (potencia de molienda) y funciona en condiciones normales. condiciones.

D. Antes de apagar el triturador, deje que el agua y el triturador funcionen durante aproximadamente 15 minutos.

segundos después de que se detiene la trituración. Esto garantiza que todos los residuos se eliminen por completo.

a través de trampa y drenaje.

#### CONSEJOS PARA UNA OPERACIÓN EXITOSA

A. Asegúrese de que el triturador esté vacío antes de usar el lavavajillas para que pueda drenar el agua.

adecuadamente.

B. Es posible que desee dejar el tapón en el desagüe cuando no esté en uso para evitar utensilios y objetos extraños caigan en el triturador.

C. Su triturador está construido de manera resistente para brindarle muchos años de servicio sin problemas.

se ocupará de todos los desechos alimentarios normales, pero NO triturará ni desechará elementos como plástico, latas, tapas de botellas, vidrio, porcelana, cuero, tela, caucho, cuerdas, almejas y conchas de ostras, papel de aluminio o plumas.

#### INSTRUCCIONES DE FUNCIONAMIENTO DE ALIMENTACIÓN POR LOTES

Los impulsores giratorios antiatasco hacen un sonido de clic cuando giran hasta su lugar.

Indica funcionamiento normal.

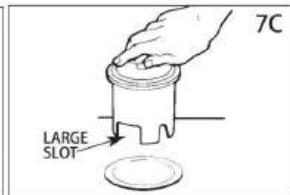
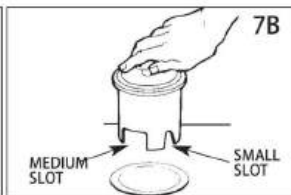
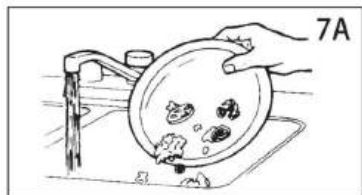
A. Retire el tapón del fregadero y abra un flujo medio de agua fría.

B. Raspe los desechos de comida. Por el desagüe van los restos de comida, las cáscaras de verduras, las mazorcas, las cáscaras, los carozos, los huesos y los posos de café (consulte el punto 7A).

C. Inserte el tapón para poner en marcha el triturador. (ver 7B) Una de las dos ranuras pequeñas del tapón La base debe estar alineada con el émbolo del interruptor dentro del cuello del triturador. Empuje hacia abajo Presione firmemente para encender el triturador. Levante el tapón para apagar el triturador.

D. Haga funcionar el triturador durante 15 segundos después de que se detenga la trituración. Esto garantiza que todos los desechos se enjuaga completamente a través del desagüe.

E. Para llenar el fregadero, inserte el tapón y alinee la ranura más grande con el émbolo del interruptor. (ver 7C) Empuje hacia abajo para sellar el fregadero sin poner en marcha el triturador. Cuando la ranura de tamaño mediano (ver 7B) en la base del tapón está alineado con el émbolo del interruptor, el agua puede drenar, pero La vajilla, etc., no se puede dejar caer accidentalmente en el triturador.



## 8. SOLUCIÓN DE PROBLEMAS

Antes de buscar reparación o reemplazo, le recomendamos que revise la siguiente.

**RUIDOS FUERTES:** (Aparte de los que se producen al moler huesos pequeños y carozos de fruta):

Por lo general, se producen por la entrada accidental de una cuchara, una tapa de botella u otro objeto.

objeto extraño. Para corregir esto, apague el interruptor eléctrico y el agua. Después de que el triturador haya detenido, retire la protección contra salpicaduras, retire el objeto con pinzas de mango largo y

Reemplace \*protector contra salpicaduras.

**LA UNIDAD NO ARRANCA:** Desenchufe el cable de alimentación o encienda el interruptor de pared o Coloque el interruptor de la caja de interruptores en la posición "APAGADO", según el modelo y el cableado. configuración. Retire el tapón y/o la protección contra salpicaduras. Verifique si el plato giratorio

Gire libremente usando un mango de escoba de madera. Si el plato giratorio gira libremente, reemplace la protección contra salpicaduras y verifique el botón de reinicio para ver si se activó. Reinicio El botón es rojo y está ubicado frente al codo de descarga, cerca de la parte inferior (ver 8A).

Presione el botón hasta que haga clic y permanezca presionado.

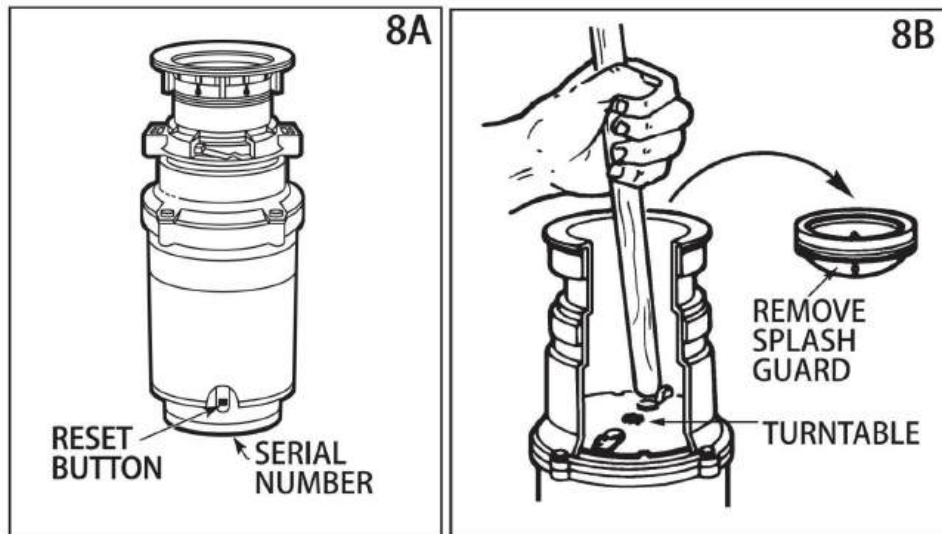
Si el botón de reinicio no se ha activado, verifique si hay un cable en cortocircuito o roto que lo conecte. al triturador. Revise el interruptor de energía eléctrica, la caja de fusibles o el disyuntor. Si el cableado y Los componentes eléctricos están intactos, la unidad puede tener problemas internos que requieran servicio o reemplazo.

\* No se utiliza protección contra salpicaduras en la unidad de control superior/alimentación por lotes.

**SI EL PLATO GIRATORIO NO GIRA LIBREMENTE:** Apague el triturador y luego verifique cualquier objeto extraño alojado entre el plato giratorio y el anillo de molienda. Desaloje el objeto mesa giratoria con un mango de escoba de madera y retire el objeto. (ver 8B) Si no Hay un objeto extraño presente, puede haber problemas internos.

**FUGAS:** Si la unidad tiene fugas en la parte superior, puede deberse a:

1. Asiento inadecuado de la brida del fregadero (centrado de la junta, masilla o apriete).
2. El anillo de soporte no está bien apretado.
3. Soporte de cojín defectuoso o instalado incorrectamente. Si la unidad tiene fugas en el codo de desechos, La fuga puede deberse a un ajuste inadecuado de los tornillos de la brida del codo.



## 9. LIMPIEZA Y MANTENIMIENTO

10. Para secar el producto a máquina, coloque el producto en una lavadora y secadora familiar a temperatura baja, por debajo de los 40 °C. Asegúrese de que la tela tenga suficiente espacio para girar libremente. Si la manta se arruga durante el lavado, mientras aún está húmeda, estírela suavemente hasta que recupere su tamaño original.

**¡NO INTENTE LUBRICAR SU TRITURADOR!**

El motor está lubricado permanentemente. El triturador es autolimpiante y limpia sus partes internas con cada uso.

NUNCA coloque lejía ni limpiadores químicos de desagües en el triturador, ya que provocan una corrosión grave de las piezas metálicas. Si se utilizan, los daños resultantes se pueden detectar fácilmente y se anulan todas las garantías. Los depósitos minerales del agua se pueden formar en el plato giratorio de acero inoxidable, lo que da la apariencia de óxido. NO SE ALARME,

Los platos giratorios de acero inoxidable utilizados no se corroen.

## Especificaciones del producto

Modelo	Aporte	Calificado fuerza	Modo de instalación	Tipo de motor
JW-301	120 V CA/60 Hz	1/2HP	Tipo de bloqueo de torsión instalación	Motor de corriente continua
JW-301DCN	220-240 V CA, 50 Hz 1 HP	1/2HP	Tipo de bloqueo de torsión instalación	Motor de corriente continua
JWM-331	120 V CA/60 Hz	1/2HP	Motor de CC con montaje de 3 pernos	
JWM-331DCN	220-240 V CA, 50 Hz 1 HP	1/2HP	Motor de CC con montaje de 3 pernos	
JWM-V50	120 V CA/60 Hz	3/4 caballos de fuerza	Motor de CC con montaje de 3 pernos	
JWM-V50A	220-240 V CA, 50 Hz 1 HP	3/4 caballos de fuerza	Motor de CC con montaje de 3 pernos	
JW-V50	120 V CA/60 Hz	3/4 caballos de fuerza	Tipo de bloqueo de torsión instalación	Motor de corriente continua
JW-V50A	220-240 V CA, 50 Hz 1 HP	3/4 caballos de fuerza	Motor de CC con montaje de 3 pernos	
JW-731	120 V CA/60 Hz	1HP	Tipo de bloqueo de torsión instalación	Motor de corriente continua
JW-731DCN	220-240 V CA, 50 Hz 1 HP	1HP	Motor de CC con montaje de 3 pernos	
JWM-931	120 V CA/60 Hz 1,25 HP		Tipo de bloqueo de torsión instalación	Motor de corriente continua
JWM-931DCN	220-240 V CA, 50 Hz 1 HP	Motor de CC de 1,25 HP con montaje de 3 pernos		

**VEVOR<sup>®</sup>**

**TOUGH TOOLS, HALF PRICE**

Soporte técnico y certificado de garantía  
electrónica [www.vevor.com/support](http://www.vevor.com/support)

# VEVOR®

## TOUGH TOOLS, HALF PRICE

Wsparcie techniczne i certyfikat gwarancji elektronicznej [www.vevor.com/support](http://www.vevor.com/support)

### Utylizacja śmieci

Modele: JW-301 / JW-301DCN / JWM-331 /  
JWM-331DCN/JWM-V50/JWM-V50A/JW-V50/JW-V50A  
/JW-731/JW-731DCN/JWM-931/JWM-931DCN

Nadal staramy się oferować Państwu narzędzia w konkurencyjnych cenach. „Oszczędź połowę”, „Połowa ceny” lub inne podobne wyrażenia używane przez nas stanowią jedynie szacunkowe oszczędności, jakie możesz uzyskać, kupując u nas określone narzędzia w porównaniu z głównymi markami i niekoniecznie oznaczają one objęcie wszystkich kategorii narzędzi oferowanych przez nas.

Uprzejmie przypominamy, aby dokładnie sprawdzić, czy składając u nas zamówienie faktycznie oszczędzasz połowę w porównaniu z głównymi markami.

**VEVOR**<sup>®</sup>  
TOUGH TOOLS, HALF PRICE

Utylizacja śmieci  
Instrukcja obsługi



JW-301



JW-301DCN



JWM-331



JWM-331DCN



JWM-V50



JWM-V50A



JW-V50



JW-V50A



JW-731



JW-731DCN



JWM-931



JWM-931DCN

POTRZEBUJESZ POMOCY? SKONTAKTUJ SIĘ Z NAMI!

Masz pytania dotyczące produktu? Potrzebujesz wsparcia technicznego? Skontaktuj się z nami

nas:

Wsparcie techniczne i certyfikat e-gwarancji

[www.vevor.com/support](http://www.vevor.com/support)

To jest oryginalna instrukcja, proszę przeczytać wszystkie instrukcje w podręczniku

przed rozpoczęciem użytkowania należy dokładnie zapoznać się z treścią niniejszego Regulaminu. VEVR zastrzega sobie prawo do jednoznacznej interpretacji naszych

instrukcja obsługi. Wygląd produktu podlega

produkt, który otrzymałeś. Przepraszamy, że nie poinformujemy Cię ponownie, jeśli

czy w naszym produkcie pojawiły się jakieś aktualizacje technologii lub oprogramowania.

**Przed użyciem należy uważnie przeczytać instrukcję!**

**OSTRZEŻENIE** – Podczas korzystania z urządzenia do utylizacji odpadów spożywczych należy zawsze zachować podstawowe środki ostrożności.

należy przestrzegać, w tym:

- 1) Przed użyciem rozdrabniacza należy przeczytać całą instrukcję.
- 2) Aby ograniczyć ryzyko obrażeń, wymagany jest ścisły nadzór podczas pracy utylizatora. używane w pobliżu dzieci.
- 3) Nie wkładaj palców ani rąk do młynka.
- 4) Przed próbą usunięcia zacięcia lub zacięcia należy wyłączyć zasilanie. usunąć przedmiot z młynka.
- 5) Próbuąc poluzować zacięcie w młynku, użyj długiego drewnianego przedmiotu, np. jako drewniana łyżka lub drewniany trzonek miotły czy mopa.
- 6) Próbuąc wyjąć przedmioty z młynka, należy używać szczypiec z długim trzonkiem lub szczypce. W przypadku rozdrabniacza uruchamianego magnetycznie należy używać narzędzi niemagnetycznych.
- 7) Aby zmniejszyć ryzyko obrażeń spowodowanych materiałami, które mogą zostać usunięte przez rozdrabniacz, nie należy: wrzucić do rozdrabniacza:
  - a) Muszle małży lub ostryg.
  - b) Żrące środki do czyszczenia rur lub podobne produkty.
  - c) Szkło, porcelana lub plastik.
  - d) Duże całe kości.
  - e) Metal, taki jak nakrętki do butelek, puszki lub przybory kuchenne.
  - f) Gorący tłuszcz lub inne gorące płyny.

8) Jeśli nie używasz rozdrabniacza, pozostaw pokrywę odpływu na swoim miejscu, aby zmniejszyć ryzyko wpadnięcia przedmiotów do rozdrabniacza.

## INSTRUKCJA UZIEMIENIA

Ten rozdrabniacz musi być uziemiony, aby zmniejszyć ryzyko porażenia prądem w przypadku awarii lub uszkodzenia. Uziemienie zapewnia ścieżkę najmniejszego oporu dla prądu elektrycznego. Ten rozdrabniacz jest wyposażony w przewód z przewodem uziemiającym sprzęt i wtyczką uziemiającą. Wtyczka musi być podłączona do gniazdka, które jest prawidłowo zainstalowane i uziemione zgodnie ze wszystkimi lokalnymi kodeksami i rozporządzeniami. OSTRZEŻENIE - Nieprawidłowe podłączenie przewodu uziemiającego sprzęt może skutkować ryzykiem porażenia prądem. W razie wątpliwości, czy rozdrabniacz jest prawidłowo uziemiony, skonsultuj się z wykwalifikowanym elektrykiem lub serwisantem. Jeśli wtyczka dostarczona z rozdrabniaczem nie pasuje do gniazdka, nie modyfikuj wtyczki ani elementu.

Szczegółowe informacje na temat nowego rozdrabniacza znajdują się w ulotce. Podłącz kontroler do gniazdka ściennego. Po prawidłowym podłączeniu przewodu zasilającego do złącza podłącz poduszkę grzewczą do gniazdka ściennego.

### NOTATKA:

Ten młynek do odpadów spożywczych został zaprojektowany do pracy wyłącznie przy napięciu 120/240 V, 60/50 Hz.

Użycie innego napięcia lub częstotliwości ma negatywny wpływ na wydajność.

### WAŻNY:

Przeczytaj uważnie wszystkie instrukcje. Zachowaj tę instrukcję na przyszłość.

### OSTROŻNOŚĆ:

Najpierw koniecznie zapoznaj się z INSTRUKCJAMI BEZPIECZEŃSTWA DOTYCZĄCYMI RYZYKA

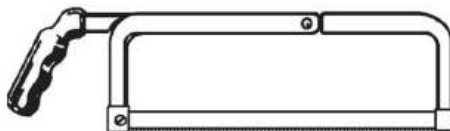
OGIEŃ, ELEKTRYCZNY

PORAŻENIA PRĄDEM LUB USZKODZENIA OSÓB przed użyciem rozdrabniacza.

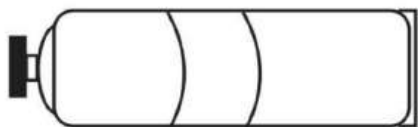
## Narzędzia i materiały, których możesz potrzebować



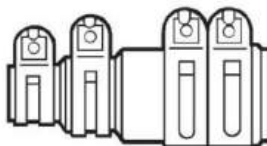
PHILLIPS & FLATBLADE  
SCREWDRIVER



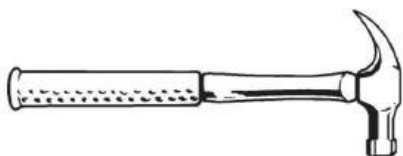
HACKSAW



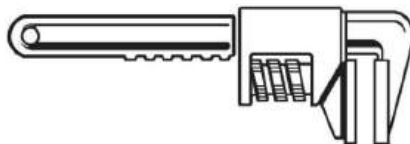
PLUMBER' S PUTTY



DISHWASHER CONNECTOR KIT



HAMMER



PIPE WRENCH



DOWEL OR  
STEEL PUNCH



POWER CORD



STRAIN RELIEF

## WAŻNE INSTRUKCJE BEZPIECZEŃSTWA

INSTRUKCJE DOTYCZĄCE RYZYKA POŻARU, PORAŻENIA PRĄDEM ELEKTRYCZNYM LUB OSOBY, KTÓRE DOZNAŁY URAZU. ZACHOWAJ TE INSTRUKCJE.

OSTRZEŻENIE - Podczas korzystania z urządzeń elektrycznych należy zawsze zachowywać podstawowe środki ostrożności.

następnie w tym:

1. Przed użyciem urządzenia należy przeczytać całą instrukcję.
2. Aby ograniczyć ryzyko obrażeń, podczas korzystania z urządzenia należy zachować ścisły nadzór. używane w pobliżu dzieci.
3. Nie wkładaj palców ani rąk do młynka do odpadów.
4. Przed próbą usunięcia zacięcia lub zablokowania należy wyłączyć zasilanie. usunąć przedmiot z młyna.
5. Próbuąc poluzować zacięcie w młynku do odpadów, użyj długiego drewnianego przedmiotu takie jak drewniana łyżka lub drewniany trzonek miotły czy mopa.
6. Próbuąc usunąć przedmioty z młynka do odpadów, należy używać długiego trzonka. szczypec lub kombinerek. Jeżeli rozdrabniacz jest uruchamiany magnetycznie, należy używać narzędzi niemagnetycznych. być używanym.
7. Aby zmniejszyć ryzyko obrażeń spowodowanych materiałami, które mogą zostać wydalone przez odpady do utylizatora nie wrzucaj do utylizatora: muszli małży lub ostryg, substancji żrących środki do czyszczenia rur lub podobne produkty; szkło, porcelana lub plastik; duże całe kości; metal, taki jak kapsle do butelek, puszki, folia aluminiowa lub przybory kuchenne; gorący tłuszcz lub inne gorące płyny; całe łupiny kukurydzy.
8. Gdy nie używasz rozdrabniacza, pozostaw zatyczkę na miejscu, aby zmniejszyć ryzyko przedmioty wpadające do młynka.
9. NIE UŻYWAJ rozdrabniacza, jeżeli nie jest zamontowana osłona przeciwbryzgowa. (Nie dotyczy jednostki sterowania górnego/podajnika wsadowego.)
10. Prawidłowe instrukcje dotyczące uziemienia znajdują się w rozdziale PODŁĄCZENIE ELEKTRYCZNE część niniejszego podręcznika.

## 1. USUWANIE STAREGO URZĄDZENIA

TYPOWE INSTRUKCJE, TWOJE MODELE MOGĄ SIĘ RÓŻNIĆ.

Przed rozpoczęciem tego kroku należy wyłączyć zasilanie elektryczne za pomocą wyłącznika obwodu lub skrzynki bezpieczników.

Jeśli stare mocowanie jest takie samo jak mocowanie w nowym rozdrabniaczu, wystarczy odwrócić

instrukcje montażu znajdują się w rozdziale 3. Jeśli Twój nowy system mocowania jest inny,

postępuj zgodnie z poniższymi instrukcjami:

A. Za pomocą klucza do rur odłącz przewód odpływowy w miejscu jego podłączenia do rozdrabniacza

lampa wyładowcza (patrz 1A).

B. Wyjmij młynek z kołnierza zlewu, obracając pierścień mocujący w lewo zgodnie z ruchem wskazówek zegara.

(patrz 1B). Jeśli nie możesz obrócić pierścienia montażowego, stuknij w jedno z przedłużeń z pierścienia przy pomocy młotka. Niektóre systemy montażowe posiadają przedłużki rurowe.

Włożenie śrubokręta do jednej z rur zapewni dodatkową dźwignię do obracania pierścienia montażowego (patrz 1B). W przypadku niektórych rozdrabniaczy może być konieczne zdjęcie lub poluzowanie nakrętek ze śrub mocujących (patrz 1C). Niektóre rozdrabniacze mogą wymagać usunięcia zacisk.

Uwaga: Podczas wykonywania tej czynności należy podeprzeć rozdrabniacz, aby uniknąć jego upadku.

gdy pierścienia montażowy jest odłączony od zespołu montażowego. Jeśli rozdrabniacz jest podłączony na stałe (kabel ekranowany metalem, nie wykorzystuje wtyczki ściennej), kompletny kroki C i D. Jeśli używasz przewodu z wtyczką, przejdź do kroku E.

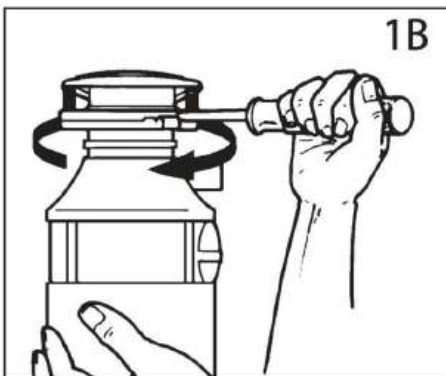
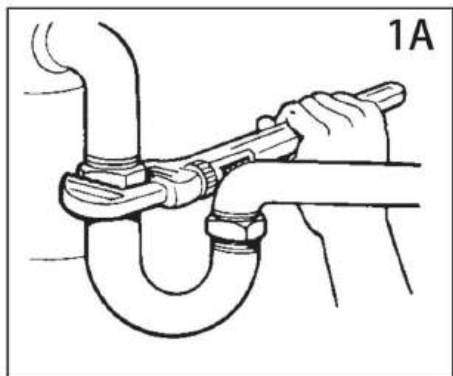
C. Po wyjęciu urządzenia odwróć je do góry nogami i zdejmij pokrywę elektryczną. talerz (patrz 1D).

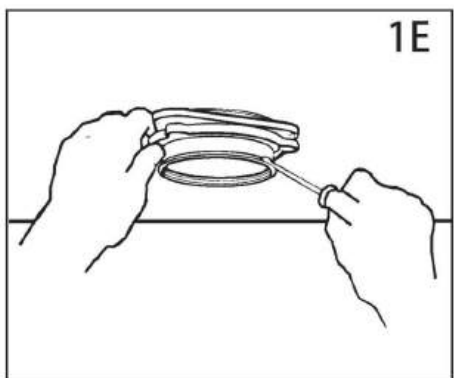
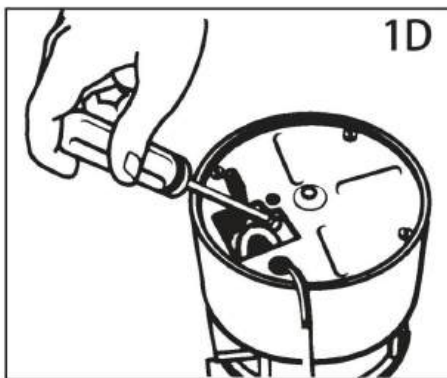
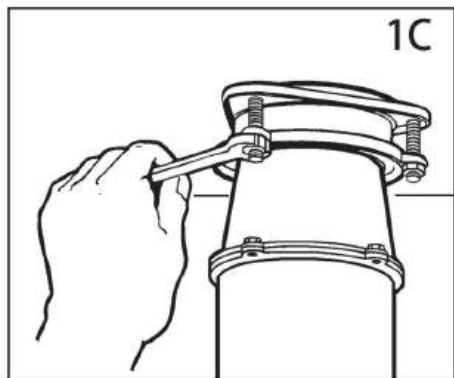
D. Za pomocą śrubokręta usuń zielony przewód uziemiający. Usuń nakrętki przewodów z czarnego przewodu. i białe przewody zasilające oraz oddzielne przewody rozdrabniacza od przewodów kabla zasilającego. Odkręć śruby zacisku kablowego i odłącz kabel od rozdrabniacza.

E. Aby usunąć pozostały system montażowy ze zlewu, poluzuj śruby montażowe, naciśnij Zamontuj pierścienia do góry. Pod nim znajduje się pierścienia osadcy. Za pomocą śrubokręta zdejmij pierścienia (patrz 1E). Zdejmij pierścienia mocujący, pierścienia ochronny i uszczelkę z kołnierza zlewu. Niektóre mocowania będą wymagają odkręcenia dużego pierścienia trzymającego kołnierz zlewu na miejscu. Wyciągnij zlew kołnierz w kierunku zlewu i oczyść z niego starą szpachlę.

**WAŻNE:** Jeśli nie masz nowego domu, to dobry moment na porządku

przed czyszczeniem należy przepuścić przez rurę spustową lub rurę spustową za pomocą świda lub węża hydraulicznego instalowanie nowego rozdrabniacza.



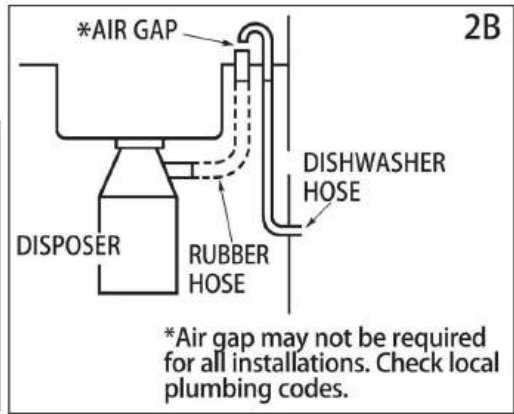
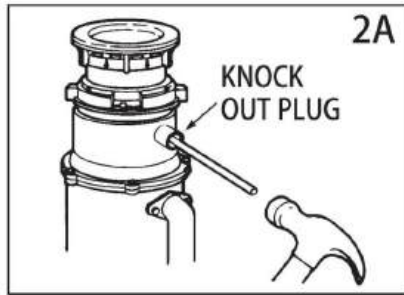


## 2. PODŁĄCZENIE ZMYWARKI

Jeśli używasz zmywarki, wykonaj poniższą procedurę. Jeśli zmywarka nie będzie podłączona, przejdź do sekcji 3.

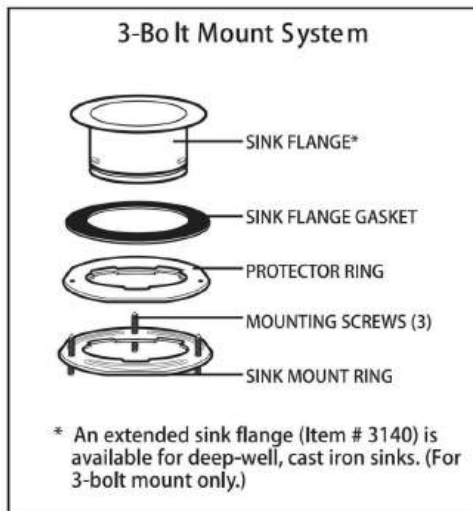
A. Używając tępego narzędzia (przebijaka stalowego lub drewnianego kołka), wybij cały korek (patrz 2A). Nie używaj śrubokręta ani ostrego narzędzia. Gdy korek wybijający wpadnie do rozdrabniacza, możesz go wyjąć lub po prostu zmielić, gdy rozdrabniacz jest używany. Nie spowoduje to w żaden sposób uszkodzenia rozdrabniacza, ale może zająć trochę czasu, aby go zmielić, w trakcie kilku użyć. Przejdź do sekcji 3.

B. Podłącz wąż zmywarki za pomocą zacisku węża. Jeśli rozmiar węża jest inny, będziesz potrzebować zestawu przyłączeniowego do zmywarki (patrz 2B). Upewnij się, że wszystkie połączenia hydrauliczne są szczelne i zgodne ze wszystkimi przepisami i rozporządzeniami dotyczącymi instalacji wodno-kanalizacyjnych. Uruchom wodę i sprawdź, czy nie ma przecieków.



### 3. MONTAŻ ZESTAWU MONTAŻOWEGO

TWOJE URZĄDZENIE DOSTARCZANE JEST Z JEDNYM Z NASTĘPUJĄCYCH MOCOWAŃ SYSTEMY



Przejdź do instrukcji dotyczących Twojego typu systemu mocowania.

## System mocowania na 3 śruby

### PRZECZYTAJ CAŁOŚĆ PRZED ROZPOCZĘCIEM

UWAGA: Należy zwrócić szczególną uwagę na kolejność montażu części montażowych, ponieważ zostały one prawidłowo zmontowane przez fabrykę. (Patrz 3A i 3B.)

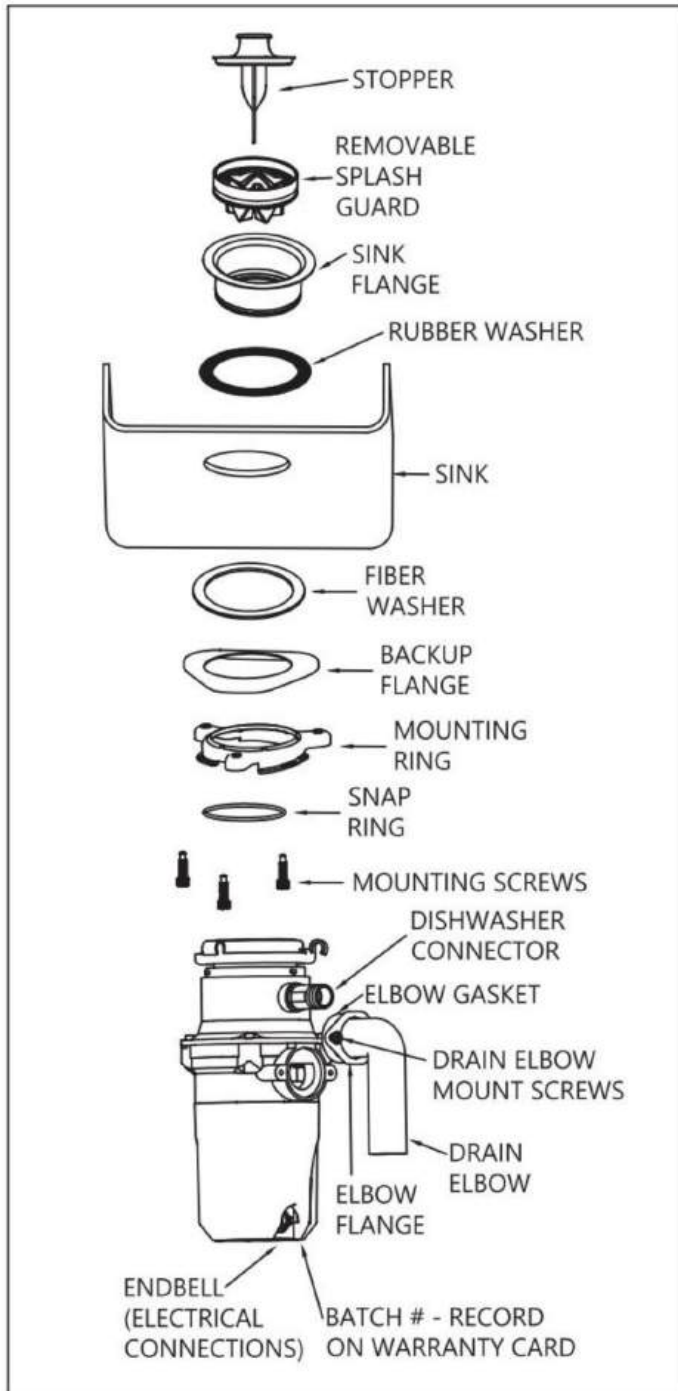
A. Zdemontuj zespół montażowy, tak jak został dostarczony, obracając kołnierz zlew, aż wypustki ustawią się w jednej linii z wycięciami w pierścieniu montażowym, co umożliwi podniesienie kołnierza zlew i wyciągnięcie go z pozostałego zespołu montażowego. Zwróć uwagę na kolejność tych części, ponieważ są ułożone w stos, i zapoznaj się z 3A i 3B, aby zidentyfikować każdą część. Rozpakuj 3 śruby montażowe i wkręć je do połowy przez pierścień montażowy (zwróć uwagę, że na górze pierścienia montażowego jest nadruk „THIS SIDE UP”). Następnie ułóż gumową uszczelkę na górze pierścienia ochronnego i umieść je na wierzchu spiczastych końców śrub montażowych.

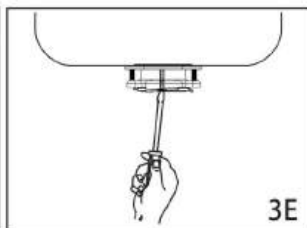
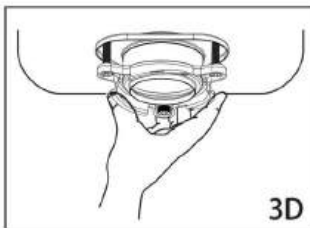
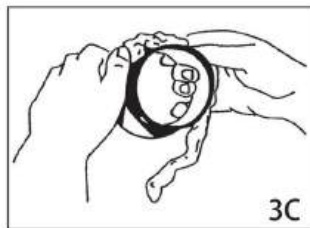
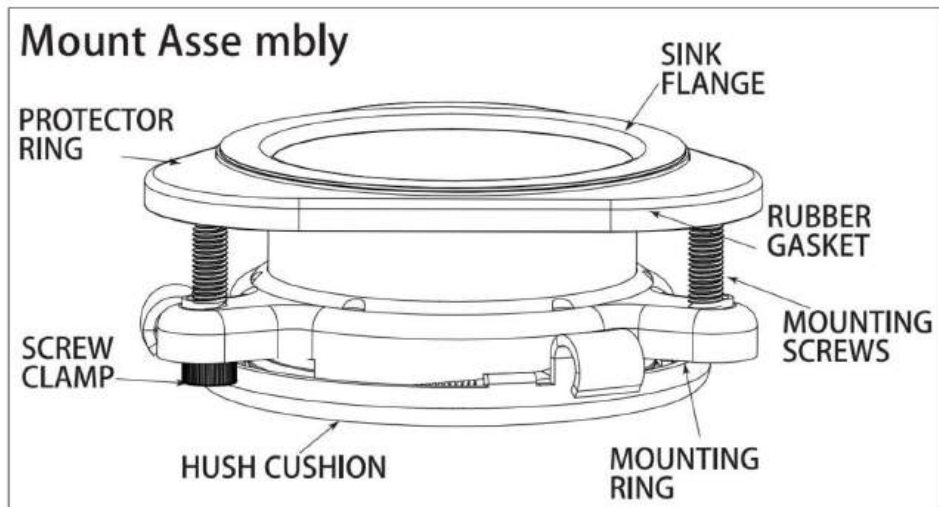
B. Zachowaj te zmontowane części razem i odłóż je na bok. Zanim podłączysz rozdrabniacz do zespołu montażowego pod zlewem, możesz przećwiczyć dopasowanie rowka poduszki Hush Cushion do grzbietu na spodzie kołnierza zlew (patrz 3A i przeczytaj sekcję 6).

C. Upewnij się, że zlew jest czysty. Wypełnij dolną krawędź kołnierza zlew kitem hydraulicznym (patrz 3C). Ustaw kołnierz zlew tak, aby był wyśrodkowany i czytelny, gdy patrzysz do zlew. Mocno wciśnij kołnierz zlew do otworu zlew, aby uzyskać dobre uszczelnienie. NIE przesuвай ani nie obracaj kołnierza zlew po osadzeniu, ponieważ uszczelnienie może zostać uszkodzone.

D. Weź pozostałą część zespołu montażowego, ponieważ została odłożona na bok i upewnij się, że gumowa uszczelka znajduje się na górze pierścienia ochronnego. Spod zlew, trzymając mocno kołnierz zlew jedną ręką, wyrównaj wycięcia w pierścieniu montażowym z występami kołnierza zlew. Przesuń zespół montażowy na kołnierz zlew, poza występy i obróć zespół montażowy o 1/4 obrotu, aby wisiał sam (patrz 3D).

E. Dokręć 3 śruby montażowe równomiernie śrubokrętem (patrz 3E). NIE DOKRĘCAJ ZBYT MOCNO! Odetnij nadmiar szpachli.





## System montażowy EZ

### PRZECZYTAJ CAŁOŚĆ PRZED ROZPOCZĘCIEM

UWAGA: Należy zwrócić szczególną uwagę na kolejność montażu elementów montażowych, ponieważ mają one zostały prawidłowo zmontowane przez fabrykę. Zapoznaj się również ze szczegółami mocowania poduszki na poniższej ilustracji 3J, aby zobaczyć prawidłową orientację mocowania poduszki.

UWAGA: Spróbuj poćwiczyć ten montaż zanim wejdiesz pod zlew, aby poczuć, jak części do siebie pasują.

A. Zdemontuj zespół montażowy z rozdrabniacza, obracając pierścień montażowy w lewo

(zgodnie z ruchem wskazówek zegara) i usuń.

B. Podnieś pierścień montażowy w kierunku górnej części kołnierza zlewu. Zdejmij mocowanie poduszki. Zdejmij pierścień montażowy. Możesz chcieć poćwiczyć instalację mocowania poduszki w tym momencie zanim znajdziesz się pod zlewem. Zobacz paragraf H. Zobacz także „Ważna informacja: Szczegóły mocowania poduszki.

C. Odkręć pierścien podporowy od kołnierza zlewu i usuń uszczelkę z włókna. Jesteś teraz lewy z kołnierzem zlewu i uszczelką gumową.

D. Uszczelkę gumową stosuje się zamiast kitu hydraulicznego w zlewach ze stali nierdzewnej.

Do innych zlewów potrzebna będzie szpachla.

E. Jeśli nie użyto żadnej szpachli, włóż kołnierz zlewu przez gumową uszczelkę do otworu zlewu.

Nie obracaj kołnierza zlewu po jego osadzeniu.

F. Jeśli zamiast uszczelki użyjesz szpachli, uformuj pierścien wokół spodniej części zlewu

kołnierz. Włóż kołnierz do otworu zlewu, mocno naciśnij, aby wycisnąć nadmiar

szpachli. Spod zlewu odciąć nadmiar szpachli równo z dolną krawędzią zlewu

otwór.

G. Od spodu zlewu nasuń uszczelkę z włókna na odsłonięty kołnierz zlewu. Za pomocą strzałek

wskazując w górę, przykręć pierścien podporowy do kołnierza zlewu, dokręć ręcznie, aż zlew będzie

kołnierz nie będzie się ruszał (patrz 3F). W tym momencie możesz chcieć włożyć korek do zlewu

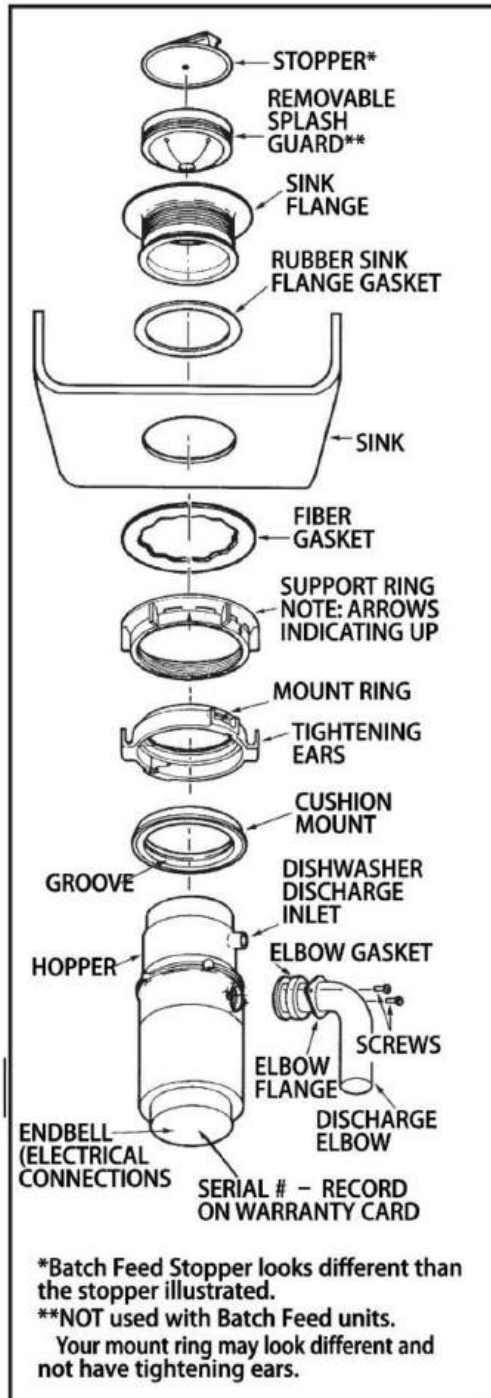
i napełnij wodą, aby sprawdzić szczelność kołnierza zlewu i upewnić się, że nie ma przecieków.

H. Umieść pierścien montażowy na kołnierzu zlewu i przytrzymaj go podczas instalowania podkładki.

zamontuj (większą stroną do dołu), tak aby rowek wewnątrz uchwytu poduszki pasował do krawędzi

na kołnierzu zlewu, podobnie jak zakładanie pokrywy na plastikowy pojemnik (patrz 3G, 3H i 3J).

Przeczytaj ważną informację poniżej.



\*Batch Feed Stopper looks different than the stopper illustrated.

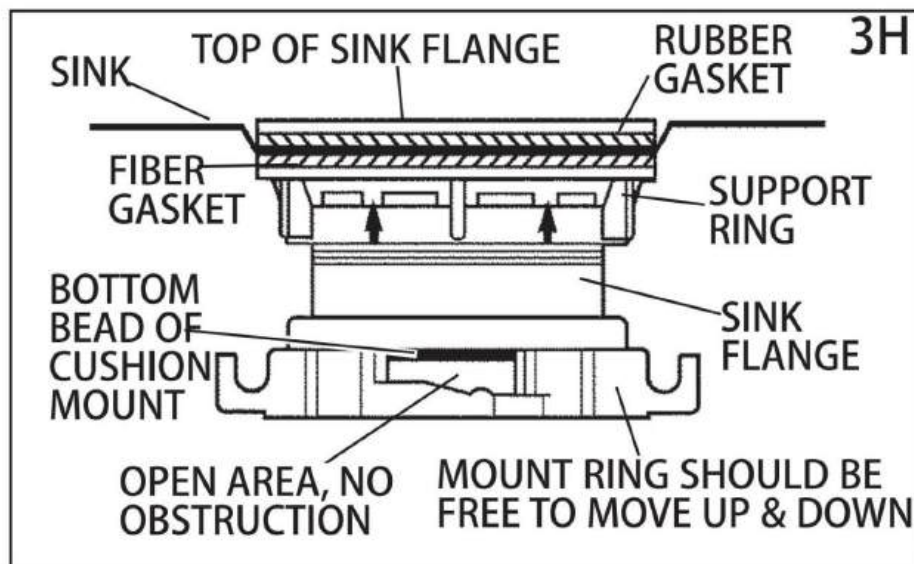
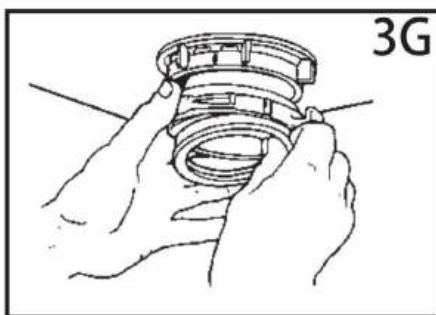
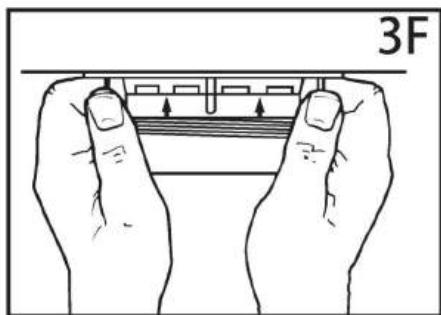
\*\*NOT used with Batch Feed units.

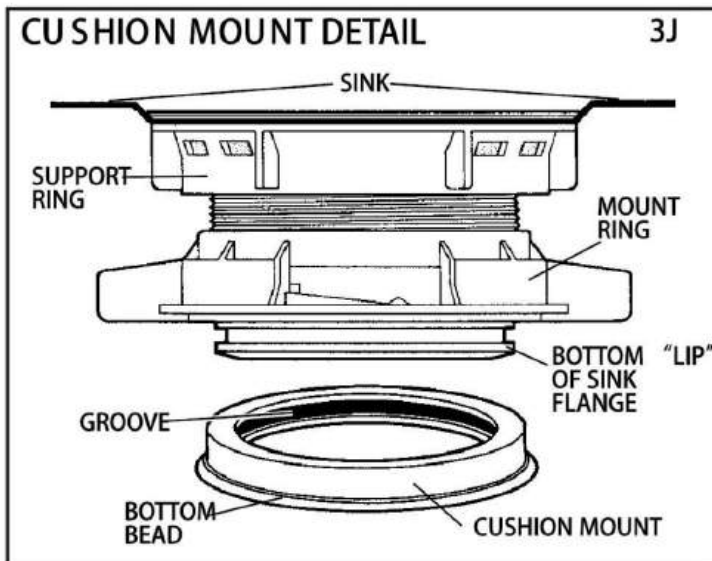
Your mount ring may look different and not have tightening ears.

## WAŻNA INFORMACJA: SZCZEGÓŁY MOCOWANIA PODUSZKI

Gdy mocowanie poduszki jest prawidłowo zamontowane, krawędź kołnierza tuszu pasuje do rowka wewnątrz mocowania poduszki, a pierścień mocowania można pociągnąć w dół nad mocowanie poduszki i będzie można go swobodnie obracać. Dolny koralik poduszki

mocowanie działa jak uszczelka pomiędzy dolną częścią kołnierza zlewu a górną częścią pojemnika na tusz. Zobacz ilustrację 3J.





## 4. PODŁĄCZENIA ELEKTRYCZNE

Teraz nadszedł czas na zapisanie NUMERU SERyjNEGO (znajdującego się na spodzie pojemnika na odpady) na karcie gwarancyjnej.

JĘŚLI NIE ZNASZ SIĘ NA PROCEDURACH ZWIĄZANYCH Z ZASILANIEM ELEKTRYCZNYM,  
WYKWALIFIKOWANY ELEKTRYK CALLA

OSTRZEŻENIE: NIEPRAWIDŁOWE PODŁĄCZENIE SPRZĘTU

KONDUKTOR MOŻE SKUTKOWAĆ RYZYKIEM PORAŻENIA PRĄDEM ELEKTRYCZNYM. SPRAWDŹ

Z DOBRYM ELEKTRYKIEM LUB SERWISANTEM MASZ WĄTPLIWOŚCI

CZY URZĄDZENIE JEST PRAWIDŁOWO UZIEMIIONE. NIE

JĘŚLI NIE BĘDZIE PASOWAĆ, ZMIENŲ WTYCZKĘ DOSTARCZONĄ Z URZĄDZENIEM

GNIAZDO, ZŁEĆ WYKWALIFIKOWANEMU INSTALATOROWI ODPOWIEDNIE GNIAZDO  
ELEKTRYK.

## INSTRUKCJA UZIEMIENIA

DLA URZĄDZEŃ DO ROZSYPIANIA ODPADÓW WYPOSAŻONYCH W ZASILANIE WTYCZKOWE  
SZNUR.

Nigdy nie stosuj tego produktu rozgrzewającego w następujących przypadkach:

To urządzenie musi być uziemione. W przypadku awarii lub uszkodzenia uziemienie zapewnia ścieżkę najmniejszego oporu dla prądu elektrycznego, aby zmniejszyć ryzyko porażenia prądem elektrycznym. Urządzenie to jest wyposażone w przewód o przewód uziemiający urządzenia i wtyczka uziemiająca. Wtyczka musi być podłączona do odpowiedniego gniazdka, które jest prawidłowo zainstalowane i uziemione zgodnie z ze wszystkimi lokalnymi przepisami i rozporządzeniami.

**DLA URZĄDZEŃ DO UTYLIZACJI ODPADÓW NIE WYPOSAŻONYCH W WTYCZKĘ ZIEŁONĄ PRZEWÓD ZASILAJĄCY.**

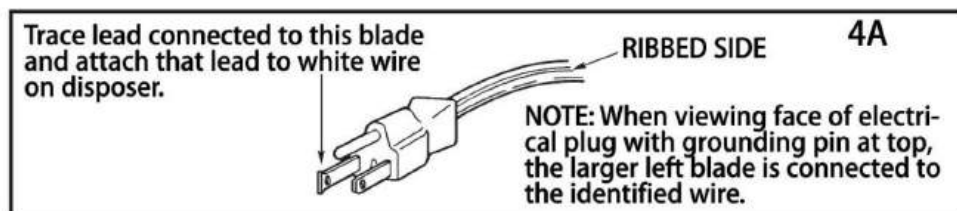
To urządzenie musi być uziemione. W przypadku awarii lub uszkodzenia uziemienie zapewnia ścieżkę najmniejszego oporu dla prądu elektrycznego, aby zmniejszyć ryzyko porażenia prądem elektrycznym. Przewód zasilający (do zainstalowania) musi mieć wyposażenie przewód uziemiający i wtyczkę uziemiającą. Wtyczka musi być podłączona do odpowiedniego gniazdka, które jest prawidłowo zainstalowane i uziemione zgodnie ze wszystkimi lokalne przepisy i rozporządzenia.

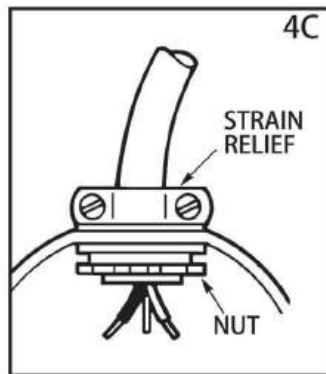
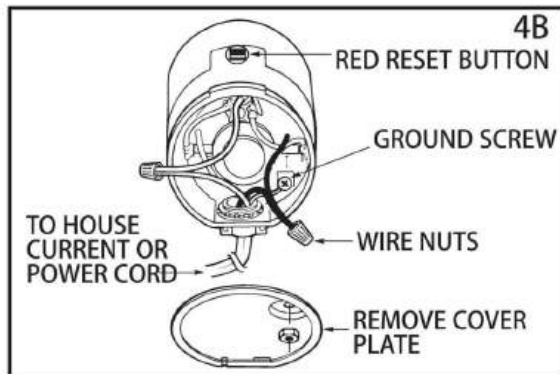
Przed instalacją odłącz zasilanie elektryczne od obwodu rozdzielnicza. Włącz obwód wyłącznik do pozycji WYŁĄCZONY lub wyjmij bezpiecznik.

A. Podłączaj rozdzielnicz wyłącznie do źródła prądu przemiennego o napięciu 110-120 V, 60 Hz.

B. Jeśli używany jest przewód wtykowy, należy użyć wtyczki trójbolcowej (patrz 4A). Przewód uziemiający powinien być przymocowany do śruby uziemiającej znajdującej się na dole dzwonu końcowego (patrz 4B).

C. W miejscu, w którym przewód zasilający wchodzi do gniazda, należy zastosować zacisk kablowy z odciążeniem. wyrzucić (patrz 4C).





Rozdzielacz przewodów podłączony bezpośrednio do prądu w domu To urządzenie musi być podłączone do uziemiony, metalowy, stały system okablowania lub urządzenie. Przewód uziemiający musi być prowadzony z przewodami obwodu i podłączony do uziemienia sprzętu terminator lub przewód na urządzeniu.

A. Jeśli używasz kabla BX:

1. Zamontuj złącze kablowe w otworze.
2. Podłącz biały przewód do białego przewodu rozdrabniacza.
3. Podłącz czarny.
4. Podłącz gołą masę.

Jeżeli nie jest używany kabel BX, należy zapewnić oddzielny przewód uziemiający do najbliższego metalowego przewodu zimnej wody. rury lub innego odpowiedniego podłoża, używając śruby w dolnej części belki końcowej do przewód uziemiający (patrz 4C).

B. Jeżeli zasilacz nie posiada przewodu uziemiającego, należy go dostarczyć

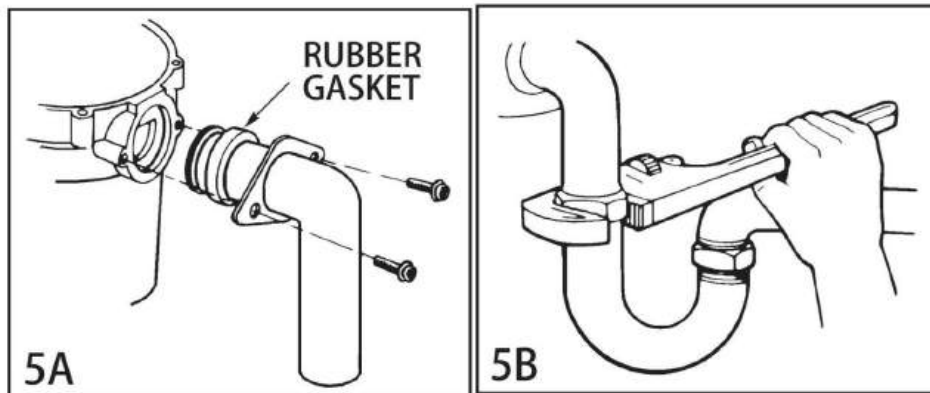
chyba że użyto kabla metalowego. Podłącz przewód miedziany solidnie do uziemienia rozdrabniacza przykręć i przymocuj drugi koniec przewodu do metalowej rury z zimną wodą. Używaj tylko UL zatwierdzonego zacisk uziemiający. Jeśli w domu używana jest rura plastikowa, wykwalifikowany elektryk Należy zainstalować odpowiednie uziemienie.

## 5. MOCOWANIE KOLANKA WYLOTOWEGO

A. Podłącz kolanko odpływowe do młynka (patrz 5A), przejdź do kroku 6, a następnie połączyć dolną część łokcia poprzez dokręcenie nakrętki ślizgowej (patrz 5B).

B. Jeśli podłączasz zmywarkę, wróć do sekcji 2B. Jeśli nie, upewnij się, że wszystkie połączenia hydrauliczne są szczelne i zgodne ze wszystkimi przepisami hydraulicznymi i

rozporządzenia. Uruchom wodę i sprawdź, czy nie ma przecieków.



## 6. PODŁĄCZANIE ROZDRABNIACZA DO ZESTAWU MONTAŻOWEGO

MOCOWANIE NA 3 ŚRUBY (typ mocowania znajdziesz w sekcji 3.)

A. Mocno dociśnij poduszkę Hush Cushion, aby upewnić się, że przylega do szyjki pozbyć się tego.

B. Nasmaruj górną wewnętrzną krawędź gumowej poduszki Hush Cushion płynnym mydłem.

C. Wyrównaj łokieć wylotowy rozdrabniacza z syfonem pod zespołem montażowym. Prowadnica podnieś i włóż w rowek poduszki Hush Cushion wokół grzbietu dna kołnierza zlewu (patrz 6A i wróć do 3B). Nadal podtrzymując rozdrabniacz, dokręć zacisk śrubowy wokół Hush Cushion. Rozdrabniacz będzie teraz powiesić się samodzielnie.

D. Jeśli musisz obrócić młynek, upewnij się, że kołnierz zlewu nie obraca się. zerwij plombę utworzoną podczas instalacji. Wróć do kroków 5A i 5B.

**WAŻNE-PROSZĘ PRZECZYTAĆ**

Nie usuwaj zacisku z Hush Cushion ani Hush Cushion z zasobnika. Oba Części są montowane fabrycznie i gotowe do montażu.

Przed użyciem nasmaruj górną, kątową powierzchnię gumowej poduszki Hush Cushion płynnym mydłem. włączenie rozdrabniacza do kołnierza zlewu. Wpasuj wargę poduszki Hush Cushion w rowek kołnierza zlewu wykonując delikatny ruch kołyszący. Dokręć zacisk (patrz 6B).

EZ MOUNT (typ mocowania znajdziesz w sekcji 3).

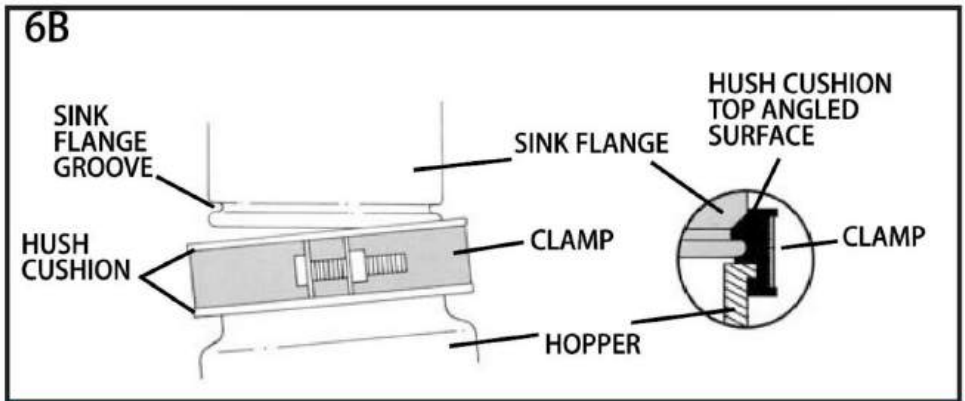
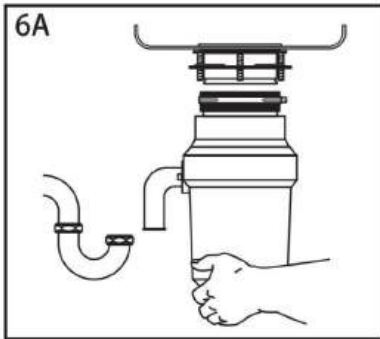
A. Ustaw rozdrabniacz pod zespołem montażowym. Wprowadź występy zasobnika do pierścienia montażowego. Obróć pierścień montażowy o około 1/4' w prawo, aby rozdrabniacz był tymczasowo

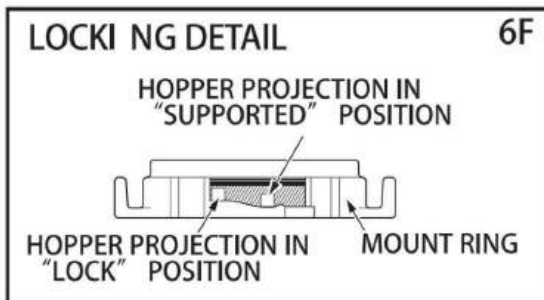
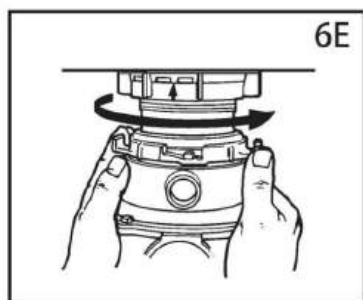
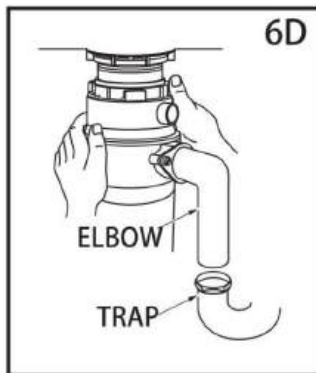
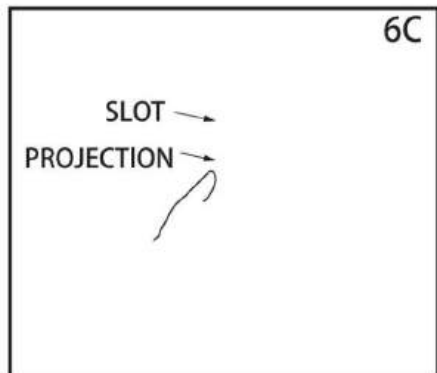
obsługiwane (patrz 6C).

B. Obrócić pierścień montażowy i rozdrabniacz, aż łokieć rozdrabniacza ustawi się w jednej linii z pałapką (patrz 6D).

C. Obróć pierścień montażowy w prawo (przeciwnie do ruchu wskazówek zegara), aż zablokuje się mocno. Stuknij zamontuj uszy pierścieniowe młotkiem, aż do osiągnięcia pozycji zablokowanej. Zasobnik występy muszą znajdować się maksymalnie po lewej stronie szczeliny montażowych (patrz 6E).

D. Jeśli pierścień montażowy ciężko się obraca, można dodać niewielką ilość wazeliny lub płynne mydło do projekcji leja. Uruchom wodę i sprawdź, czy nie ma przecieków.





## 7. INSTRUKCJA OBSŁUGI

Wirniki obrotowe zapobiegające zakleszczeniu wydają dźwięk klikania podczas wsuwania się na miejsce. oznacza to normalną pracę.

A. Wyjmij korek zlewu. Otwórz średni strumień zimnej wody.

B. Ustaw przełącznik w pozycji ON. Silnik pracuje z pełną prędkością i jest gotowy do użycia.

C. Wyrzuć resztki jedzenia. Resztki ze stołu, obierki, skórki, nasiona, pestki, małe kości i fusy po kawie trafiają do odpływu. Aby przyspieszyć usuwanie resztek jedzenia, pokrój lub rozbijaj duże kości, skórki i kolby. Duże kości i włókniste łupiny wymagają znaczny czas mielenia i są łatwiej wyrzucane wraz z innymi śmieciami.

nie martw się, że rozdrabniacz zwalnia podczas mielenia. Rozdrabniacz jest faktycznie zwiększając moment obrotowy (moc szlifowania) i działając w normalnych warunkach warunki.

D. Przed wyłączeniem rozdrabniacza pozwól wodzie i rozdrabniaczowi pracować przez około 15 minut. sekund po zatrzymaniu niszczenia. Zapewnia to dokładne wypłukanie wszystkich odpadów

przez syfon i odpływ.

#### WSKAZÓWKI DLA POMYŚLNEJ OPERACJI

A. Przed użyciem zmywarki upewnij się, że rozdrabniacz jest pusty, aby umożliwić opróżnienie zmywarki. odpowiednio.

B. Możesz chcieć pozostawić korek w odpływie, gdy nie jest używany, aby zapobiec zapobiegając wpadaniu naczyń i ciał obcych do młynka.

C. Twój rozdrabniacz odpadów jest solidnie zbudowany, aby zapewnić Ci wiele lat bezproblemowej pracy. poradzi sobie ze wszystkimi normalnymi odpadami żywnościowymi, ale NIE będzie miał ani usuwać takich przedmiotów jak plastik, puszki, nakrętki do butelek, szkło, porcelana, skóra, tkanina, guma, sznurek, małże i muszle ostryg, folia aluminiowa lub pióra.

#### INSTRUKCJA OBSŁUGI PODAWANIA WSADOWEGO

Wirniki obrotowe Anti-Jam wydają dźwięk klikania, gdy się wychylają. oznacza to normalną pracę.

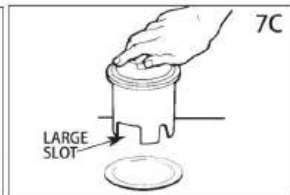
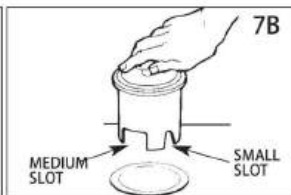
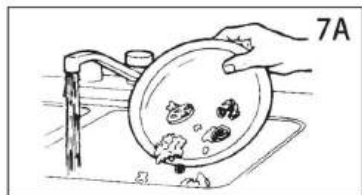
A. Wyjmij korek zlewu i otwórz średni strumień zimnej wody.

B. Zgarnij resztki jedzenia. Do odpływu trafiają resztki ze stołu, obierki warzywne, kolby, skórki, pestki, kości i fusy po kawie. (patrz 7A)

C. Włóż zatyczkę, aby uruchomić młynek. (patrz 7B) Jedno z dwóch małych gniazd w zatyczce podstawa musi być ustawiona w jednej linii z tłokiem przełącznika wewnątrz szyjki młynka. Wciśnij w dół mocno, aby włączyć rozdrabniacz. Podnieś blokadę, aby wyłączyć rozdrabniacz.

D. Uruchom rozdrabniacz na 15 sekund po zakończeniu niszczenia. Dzięki temu wszystkie odpady zostaną usunięte. jest dokładnie wypłukiwany przez odpływ.

E. Aby napełnić zlew, włóż zatyczkę i wyrównaj największy otwór z tłokiem przełącznika. (patrz 7C) Naciśnij w dół, aby uszczelnić zlew bez uruchamiania młynka. Gdy otwór jest średniej wielkości (patrz 7B) w podstawie korka ustawionej w jednej linii z tłokiem przełącznika, woda może wypłynąć, ale naczynia stołowe itp. nie mogą być przypadkowo wrzucane do młynka.



## 8. ROZWIĄZYWANIE PROBLEMÓW

Przed przystąpieniem do naprawy lub wymiany zalecamy zapoznanie się z następnym.

**GŁOŚNE HAŁASY:** (Inne niż te, które powstają podczas mielenia małych kości i pestek owoców):

Zwykle powstają one w wyniku przypadkowego włożenia łyżki, nakrętki od butelki lub innego przedmiotu.

obcy przedmiot. Aby to naprawić, wyłącz wyłącznik elektryczny i wodę. Po tym, jak rozdrabniacz

zatrzymaj się, zdejmij \*osłonę przeciwbryzgową, usuń przedmiot za pomocą szczypec z długim trzonkiem i wymień \*osłonę przeciwbryzgową.

**URZĄDZENIE NIE URUCHAMIA SIĘ:** Odłącz przewód zasilający lub włącz przełącznik ścienny lub

przełącznik skrzynki bezpiecznikowej w pozycji „WYŁ.”, w zależności od modelu i okablowania

konfiguracja. Usuń zatyczkę i/lub \*osłonę przeciwbryzgową. Sprawdź, czy gramofon będzie

obracać swobodnie za pomocą drewnianego trzonka od miotły. Jeśli gramofon obraca się swobodnie,

wymień \*osłonę przeciwbryzgową i sprawdź przycisk resetowania, aby zobaczyć, czy został uruchomiony. Zresetuj

przycisk jest czerwony i znajduje się naprzeciwko łokcia wylotowego, blisko dołu (patrz 8A).

Wciśnij przycisk, aż usłyszysz kliknięcie i przytrzymaj go wciśnięty.

Jeżeli przycisk resetowania nie został naciśnięty, sprawdź, czy nie doszło do zwarcia lub przerwania przewodu połączeniowego.

do utylizatora. Sprawdź wyłącznik zasilania elektrycznego, skrzynkę bezpieczników lub wyłącznik obwodu. Jeśli okablowanie i

jeśli elementy elektryczne są nienaruszone, jednostka może mieć problemy wewnętrzne, które wymagają naprawy serwis lub wymiana.

\* Osłona przeciwbryzgową jest stosowana w jednostce Top Control/Batch Feeder.

**JEŚLI TALERZ OBROTOWY NIE OBROTUJE SIĘ SWOBODNIE:** Wyłącz rozdrabniacz, a następnie sprawdź, czy

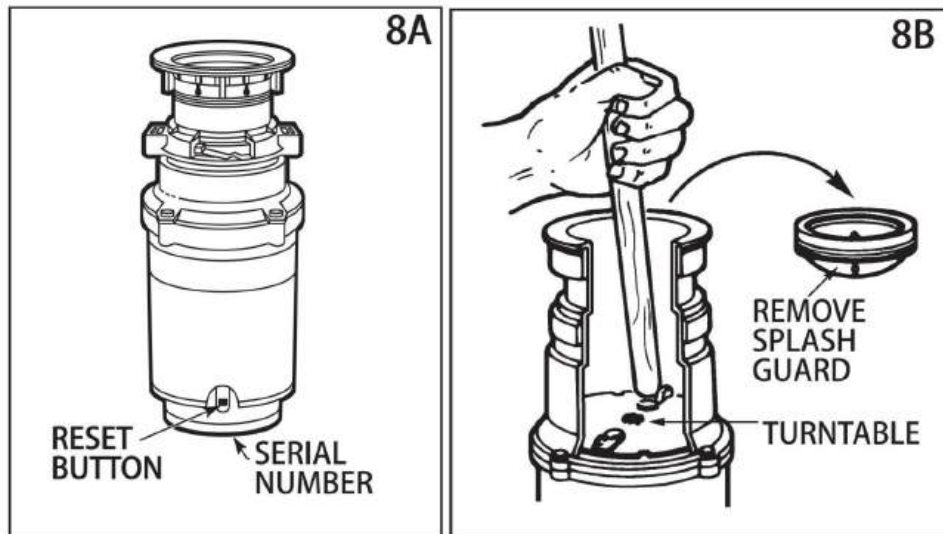
jakikolwiek obcy przedmiot utkwił pomiędzy talerzem obrotowym a pierścieniem szlifierskim. Usuń przedmiot poprzez

obracając stół drewnianym trzonkiem od miotły i usuwając przedmiot. (patrz 8B) Jeśli nie

jeśli obecny jest obcy obiekt, może to oznaczać problemy wewnętrzne.

**WYCIEKI:** Jeżeli urządzenie przecieka u góry, przyczyną może być:

1. Nieprawidłowe osadzenie kołnierza zlewu (nieprawidłowe centrowanie uszczelki, szpachlowanie lub dokręcanie).
2. Pierścień podporowy nie jest odpowiednio dokręcony.
3. Wadliwy lub nieprawidłowo zamontowany uchwyt poduszki. Jeśli urządzenie przecieka w kolanku odpływowym, wyciek może być spowodowany niewłaściwym dokręceniem śrub kołnierza kolankowego.



## 9. CZYSZCZENIE I KONSERWACJA

10. Aby wysuszyć w pralce, włóż produkt do pralki i suszarki na niskiej temperaturze poniżej 40°C. Upewnij się, że tkanina ma wystarczająco dużo miejsca, aby swobodnie się obracać. Jeśli koc wciąga się podczas prania, delikatnie rozciągnij go, gdy jest jeszcze wilgotny, aż powróci do pierwotnego rozmiaru.

**NIE WOLNO SMAROWAĆ URZĄDZENIA!**

Silnik jest trwale smarowany. Rozdrabniacz czyści się sam, szorując swoje wewnętrzne części przy każdym użyciu.

**NIGDY** nie wlewaj ługu ani chemicznych środków do czyszczenia rur do rozdrabniacza, ponieważ powodują one poważną korozję części metalowych. W przypadku ich użycia, powstałe uszkodzenia można łatwo wykryć, a wszystkie gwarancje są nieważne. Osady mineralne z wody mogą tworzyć się na obrotowym talerzu ze stali nierdzewnej, co sprawia wrażenie rdzy. **NIE ALARMUJ** S używane talerze obrotowe ze stali nierdzewnej nie ulegają korozji.

## Specyfikacja produktu

Model	Wejście	Oceniony moc	Tryb instalacji Typ silnika	
JW-301	120 V prądu zmiennego/60 Hz	1/2 KM	Typ blokady skrętnej instalacja	Silnik prądu stałego
JW-301DCN	220-240 V prądu przemiennego, 50Hz 1HP	1/2 KM	Typ blokady skrętnej instalacja	Silnik prądu stałego
JWM-331	120 V prądu zmiennego/60 Hz	1/2 KM	Silnik prądu stałego	mocowany na 3 śruby
JWM-331DCN	220-240 V prądu przemiennego, 50Hz 1HP	1/2 KM	Silnik prądu stałego	mocowany na 3 śruby
JWM-V50	120 V prądu zmiennego/60 Hz	3/4 KM	Silnik prądu stałego	mocowany na 3 śruby
JWM-V50A	220-240 V prądu przemiennego, 50Hz 1HP	3/4 KM	Silnik prądu stałego	mocowany na 3 śruby
JW-V50	120 V prądu zmiennego/60 Hz	3/4 KM	Typ blokady skrętnej instalacja	Silnik prądu stałego
JW-V50A	220-240 V prądu przemiennego, 50Hz 1HP	3/4 KM	Silnik prądu stałego	mocowany na 3 śruby
JW-731	120 V prądu zmiennego/60 Hz	1KM	Typ blokady skrętnej instalacja	Silnik prądu stałego
JW-731DCN	220-240 V prądu przemiennego, 50Hz 1HP	1KM	Silnik prądu stałego	mocowany na 3 śruby
JWM-931	120 V prądu przemiennego/60 Hz	1,25 KM	Typ blokady skrętnej instalacja	Silnik prądu stałego
JWM-931DCN	220-240 V prądu przemiennego, 50Hz 1HP	Silnik prądu stałego	1,25 KM	mocowany na 3 śrubach

**VEVOR<sup>®</sup>**

**TOUGH TOOLS, HALF PRICE**

Wsparcie techniczne i certyfikat gwarancji  
elektronicznej [www.vevor.com/support](http://www.vevor.com/support)

# **VEVOR<sup>®</sup>**

## **TOUGH TOOLS, HALF PRICE**

Technische ondersteuning en e-garantiecertificaat [www.vevor.com/support](http://www.vevor.com/support)

### **Afvalverwerking**

**Model: JW-301 / JW-301DCN / JWM-331 /  
JWM-331DCN/JWM-V50/JWM-V50A/JW-V50/JW-V50A  
/JW-731/JW-731DCN/JWM-931/JWM-931DCN**

Wij streven er voortdurend naar om u gereedschappen tegen concurrerende prijzen te leveren. "Save Half", "Half Price" of andere soortgelijke uitdrukkingen die wij gebruiken, geven alleen een schatting van de besparingen die u kunt behalen door bepaalde gereedschappen bij ons te kopen in vergelijking met de grote topmerken en betekent niet noodzakelijkerwijs dat alle categorieën gereedschappen die wij aanbieden, worden gedekt. Wij herinneren u eraan om zorgvuldig te controleren of u daadwerkelijk de helft bespaart in vergelijking met de grote topmerken wanneer u een bestelling bij ons plaatst.

# VEVOR<sup>®</sup>

TOUGH TOOLS, HALF PRICE

Afvalverwerking  
Gebruiksaanwijzing



JW-301



JW-301DCN



JWM-331



JWM-331DCN



JWM-V50



JWM-V50A



JW-V50



JW-V50A



JW-731



JW-731DCN



JWM-931



JWM-931DCN

## HULP NODIG? NEEM CONTACT MET ONS OP!

Heeft u vragen over het product? Heeft u technische ondersteuning nodig? Neem dan gerust contact met ons op  
ons:

**Technische ondersteuning en e-garantiecertificaat**

**[www.vevor.com/support](http://www.vevor.com/support)**

Dit is de originele instructie, lees alle instructies in de handleiding zorgvuldig door voordat u gaat werken. VEVOR behoudt zich een duidelijke interpretatie van onze gebruikershandleiding. Het uiterlijk van het product is onderworpen aan de product dat u hebt ontvangen. Vergeef ons dat we u niet opnieuw zullen informeren als er technologische of software-updates voor ons product zijn.

### **Lees deze handleiding zorgvuldig door voordat u het product gebruikt!**

**WAARSCHUWING - Bij het gebruik van de voedselvermaler moeten altijd de volgende basisvoorzorgsmaatregelen in acht worden genomen:  
te volgen, waaronder het volgende:**

- 1) Lees alle instructies voordat u de afvalvermaler gebruikt.
- 2) Om het risico op letsel te verminderen, is nauwlettend toezicht vereist wanneer een afvalverwijderaar wordt gebruikt. gebruikt in de buurt van kinderen.
- 3) Steek uw vingers of handen niet in de afvalvermaler.
- 4) Zet de aan/uit-schakelaar op de uit-stand voordat u een papierstoring probeert te verhelpen of een voorwerp uit de afvalvermaler verwijderen.
- 5) Wanneer u probeert een blokkade in een afvalvermaler te verhelpen, gebruik dan een lang houten voorwerp zoals zoals een houten lepel of de houten steel van een bezem of dweil.
- 6) Wanneer u probeert voorwerpen uit een afvalvermaler te verwijderen, gebruik dan een tang met een lange steel of tang. Voor een afvalverwijderaar die magnetisch wordt aangestuurd, gebruikt u niet-magnetische gereedschappen.
- 7) Om het risico op letsel door materialen die door een afvalverwijderaar kunnen worden verwijderd, te verminderen, mag u deze niet in de afvalverwijderaar gooien.

Doe het volgende in een afvalvermaler:

- a) Schelpdieren of oesterschelpen.
- b) Bijtende ontstoppers of soortgelijke producten. c) Glas, porselein of plastic. d) Grote hele botten. e) Metaal, zoals doppen van flessen, blikjes of keukengerei.
- f) Heet vet of andere hete vloeistoffen.

8) Wanneer u de afvalvermaler niet gebruikt, laat u het afvoerdekseel zitten om het risico te verkleinen dat er voorwerpen in de afvalvermaler vallen.

## AARDING INSTRUCTIES

Deze afvalverwijderaar moet geaard worden om het risico op een elektrische schok te verminderen in het geval van een storing of defect. Aarding biedt een pad van de minste weerstand voor elektrische stroom. Deze afvalverwijderaar is uitgerust met een snoer met een apparaat-aardingsgeleider en een aardingsstekker. De stekker moet worden aangesloten op een stopcontact dat correct is geïnstalleerd en geaard in overeenstemming met alle lokale codes en verordeningen. **WAARSCHUWING** - Onjuiste aansluiting van de apparaat-aardingsgeleider kan leiden tot een risico op een elektrische schok. Neem contact op met een gekwalificeerde elektricien of servicemonteur als u twijfelt of de afvalverwijderaar correct is geaard. Als de stekker die bij de afvalverwijderaar is geleverd niet in het stopcontact past, mag u de stekker of het apparaat niet aanpassen.

**Zie de bijsluiter voor specifieke informatie over uw nieuwe afvalvermaler.** Sluit de controller aan op het stopcontact. Nadat u het netsnoer goed op de connector hebt aangesloten, sluit u uw verwarmingsmat aan op het stopcontact.

### OPMERKING:

Deze voedselrestenvermaler is ontworpen om uitsluitend te werken op 120/240 Volt, 60/50 Hz.

Het gebruik van een andere spanning of Hz heeft een negatief effect op de prestaties.

### BELANGRIJK:

Lees alle instructies zorgvuldig door. Bewaar deze handleiding voor toekomstig gebruik.

### VOORZICHTIGHEID:

Zorg ervoor dat u **EERST** de **VEILIGHEIDSIINSTRUCTIES** leest met betrekking tot een risico op

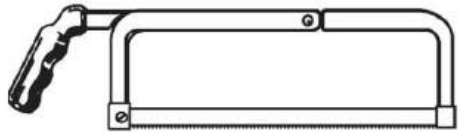
**BRAND, ELEKTRISCH**

**SCHOK OF LETSEL VOOR PERSONEN** voordat u de afvalvermaler gebruikt.

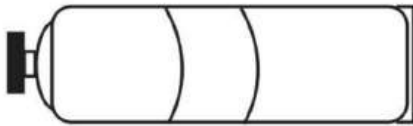
## Gereedschappen en materialen die u mogelijk nodig hebt



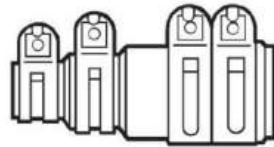
PHILLIPS & FLATBLADE  
SCREWDRIVER



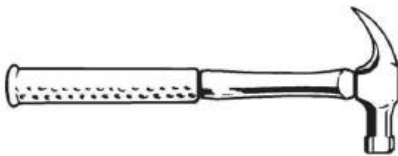
HACKSAW



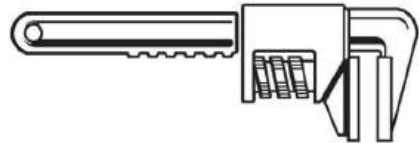
PLUMBER' S PUTTY



DISHWASHER CONNECTOR KIT



HAMMER



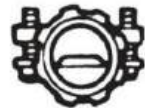
PIPE WRENCH



DOWEL OR  
STEEL PUNCH



POWER CORD



STRAIN RELIEF

## BELANGRIJKE VEILIGHEIDSINSTRUCTIES

INSTRUCTIES MET BETREKKING TOT HET RISICO OP BRAND, ELEKTRISCHE SCHOK OF LETSEL TOPPERSONEN. BEWAAR DEZE INSTRUCTIES.

WAARSCHUWING - Bij het gebruik van elektrische apparaten moeten altijd basisvoorzorgsmaatregelen worden genomen

gevolgd, waaronder het volgende:

1. Lees alle instructies voordat u het apparaat gebruikt.
2. Om het risico op letsel te verminderen, is nauwlettend toezicht noodzakelijk wanneer een apparaat wordt gebruikt. gebruikt in de buurt van kinderen.
3. Steek uw vingers of handen niet in de afvalvermaler.
4. Zet de aan/uit-schakelaar op de uit-stand voordat u een papierstoring probeert te verhelpen of een voorwerp uit de afvalvermaler verwijderen.
5. Wanneer u een vastgelopen afvalverwijderaar probeert te ontstoppen, gebruik dan een lang houten voorwerp zoals een houten lepel of de houten steel van een bezem of dwell.
6. Wanneer u probeert voorwerpen uit een afvalverwijderaar te verwijderen, gebruik dan een lange steel tang of tang. Als de afvalverwijderaar magnetisch wordt bediend, mogen niet-magnetische gereedschappen worden gebruikt gebruikt worden.
7. Om het risico op letsel door materialen die door een afvalverwerkingsinstallatie kunnen worden uitgestoten, te verminderen afvalvermaler, doe het volgende niet in een afvalvermaler: mossel- of oesterschelpen; bijtende stoffen gootsteenontstoppers of soortgelijke producten; glas, porselein of plastic; grote hele botten; metaal, zoals doppen van flessen, blikjes, aluminiumfolie of keukengerei; heet vet of andere hete vloeistoffen; hele maïskolven.
8. Wanneer u de afvalvermaler niet gebruikt, laat u de stop op zijn plaats om het risico op lekkage te verkleinen. voorwerpen die in de afvalvermaler vallen.
9. Gebruik de afvalvermaler NIET als de spatbescherming niet op zijn plaats zit. (Geldt niet voor (de Top Control/Batch Feed-eenheden.)
10. Voor instructies over de juiste aarding, zie de ELEKTRISCHE AANSLUITING gedeelte van deze handleiding.

## 1. VERWIJDERING VAN OUDE EENHEID

TYPISCHE INSTRUCTIES, UW MODEL KAN AFWIJKEN.

Voordat u met deze stap begint, schakelt u de elektrische stroom uit via de stroomonderbreker of de zekeringkast.

Als uw oude houder hetzelfde is als de houder op uw nieuwe afvalverwijderaar, hoeft u alleen maar de andere te draaien.

montage-instructies vindt u in sectie 3. Als uw nieuwe montagesysteem anders is,

Volg deze instructies:

A. Gebruik een pijpsleutel om de afvoerleiding los te koppelen waar deze aan de afvalverwijderaar is bevestigd ontladingsbuis (zie 1A).

B. Verwijder de afvalverwijderaar van de gootsteenflens door de montagering met de klok mee naar links te draaien

(zie 1B). Als u de montage niet kunt draaien, tikt u op een van de verlengstukken met een hamer van de ring. Sommige montagesystemen hebben buisvormige verlengingen.

Door een schroevendraaier in een van de buizen te steken, krijgt u extra hefboomwerking bij het draaien van de buis. montage (zie 1B). Bij sommige afvalverwijderaars is het verwijderen of losdraaien van moeren vereist van de bevestigingsschroeven (zie 1C). Bij sommige afvalverwijderaars is het mogelijk dat een klem.

**Let op:** Zorg ervoor dat u de afvalverwijderaar ondersteunt terwijl u deze stap uitvoert, anders kan deze vallen.

wanneer de montage losgekoppeld is van de montage-eenheid. Als uw afvalvermalder is vast aangesloten (metalen afgeschermd kabel die geen stopcontact gebruikt), compleet

Stappen C en D. Als u een stekkerkabel gebruikt, gaat u verder met stap E.

C. Wanneer de afvalvermalder is verwijderd, draai hem dan om en verwijder de elektrische afdekking plaat (zie 1D).

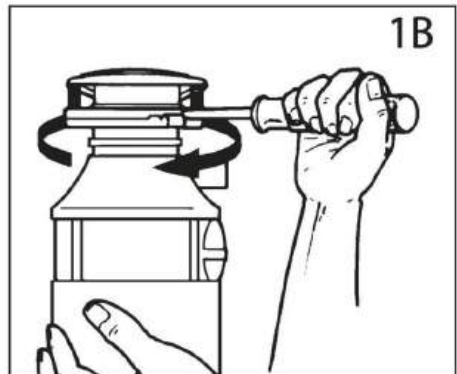
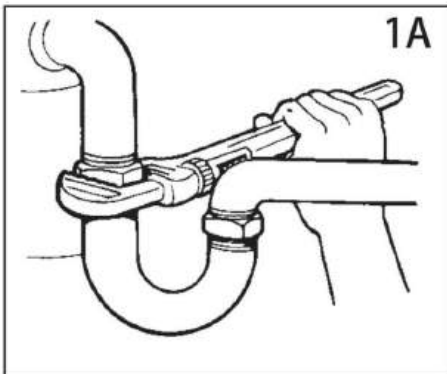
D. Gebruik een schroevendraaier om de groene aardingsdraad te verwijderen. Verwijder de draadmoeren van de zwarte en witte stroomdraden en scheid de afvalverwijderaars van de stroomkabeldraden.

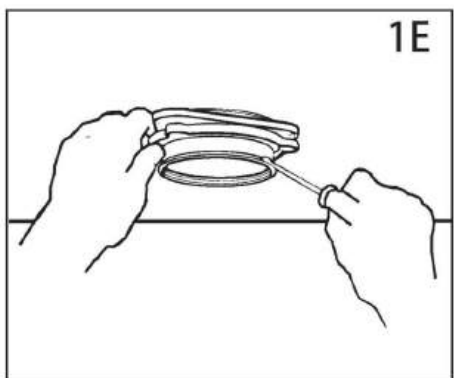
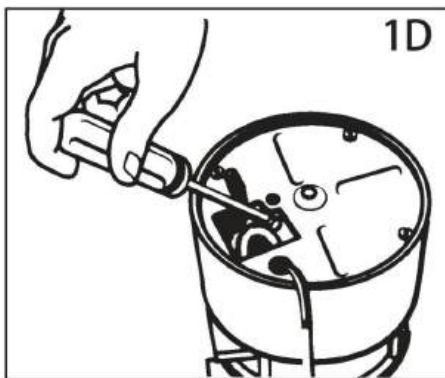
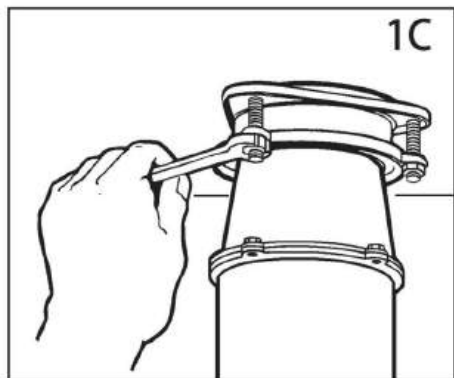
Draai de schroeven van de kabelklem los en haal de kabel uit de afvalvermalder.

E. Om het resterende montagesysteem van de gootsteen te verwijderen, draait u de montageschroeven los en duwt u Monteer de ring omhoog. Daaronder bevindt zich de borgring. Gebruik een schroevendraaier om de ring eraf te wippen (zie 1E).

Verwijder de montage, beschermring en pakking van de gootsteenflens. Sommige montages zullen vereisen het losdraaien van een grote ring die de flens van de gootsteen op zijn plaats houdt. Trek de gootsteen. Trek de flens door de gootsteen en verwijder de oude stopverf van de gootsteen.

**BELANGRIJK:** Tenzij u een nieuw huis heeft, is dit een goed moment om op te ruimen de sifon en afvoerleidingen door een afvoerboor of een ontstoppingsveer te gebruiken voordat het installeren van uw nieuwe afvalvermalder.



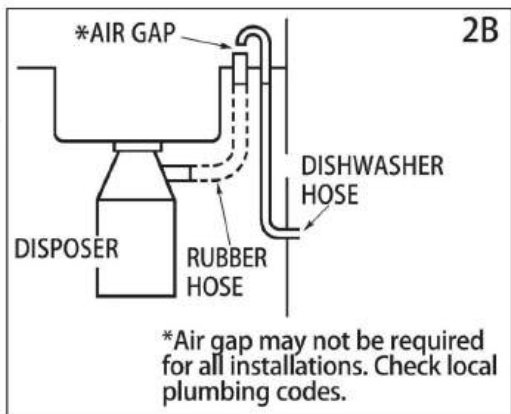
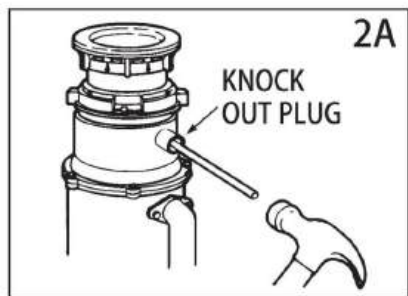


## 2. AANSLUITING VAATWASSER

Als u een vaatwasser gebruikt, voer dan de volgende procedure uit. Als de vaatwasser niet hoeft te worden aangesloten, ga dan naar sectie 3.

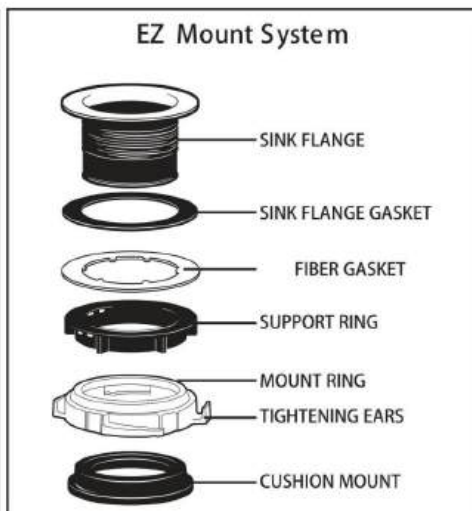
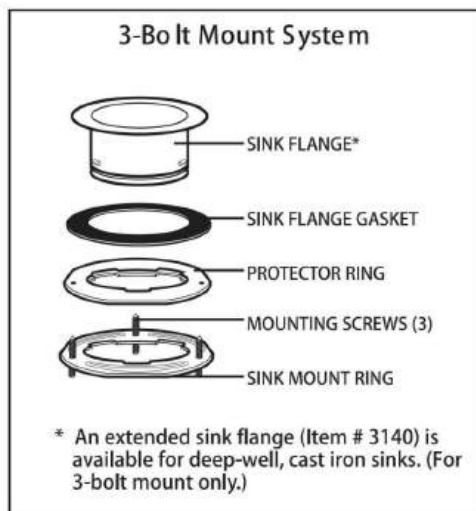
A. Gebruik een stomp voorwerp (stalen priem of houten deukel) om de hele plug eruit te slaan (zie 2A). Gebruik geen schroevendraaier of scherp voorwerp. Wanneer de knockout plug in de disposer valt, kunt u deze verwijderen of gewoon fijnmalen wanneer de disposer wordt gebruikt. Dit zal de disposer op geen enkele manier beschadigen, maar het kan enige tijd duren om te slijpen, gedurende meerdere keren dat u de disposer gebruikt. Ga naar Sectie 3.

B. Sluit de slang van de vaatwasser aan met een slangklem. Als de slangmaat anders is, hebt u een vaatwasseraansluitset nodig (zie 2B). Zorg ervoor dat alle aansluitingen goed vastzitten en voldoen aan alle loodgietersvoorschriften en -verordeningen. Laat het water lopen en controleer op lekkages.



### 3. INSTALLATIE VAN DE MONTAGE-EENHEID

UW AFVALVERWERKER WORDT GELEVERD MET EEN VAN DE VOLGENDE BEVESTIGINGEN SYSTEMEN



Ga naar de instructies voor uw type montagesysteem.

### 3-bouts montagesysteem

LEES HET VOLLEDIG DOOR VOORDAT U BEGINT

**OPMERKING:** Let goed op de volgorde van de montageonderdelen, aangezien deze correct door de fabriek zijn gemonteerd. (Zie 3A en 3B.)

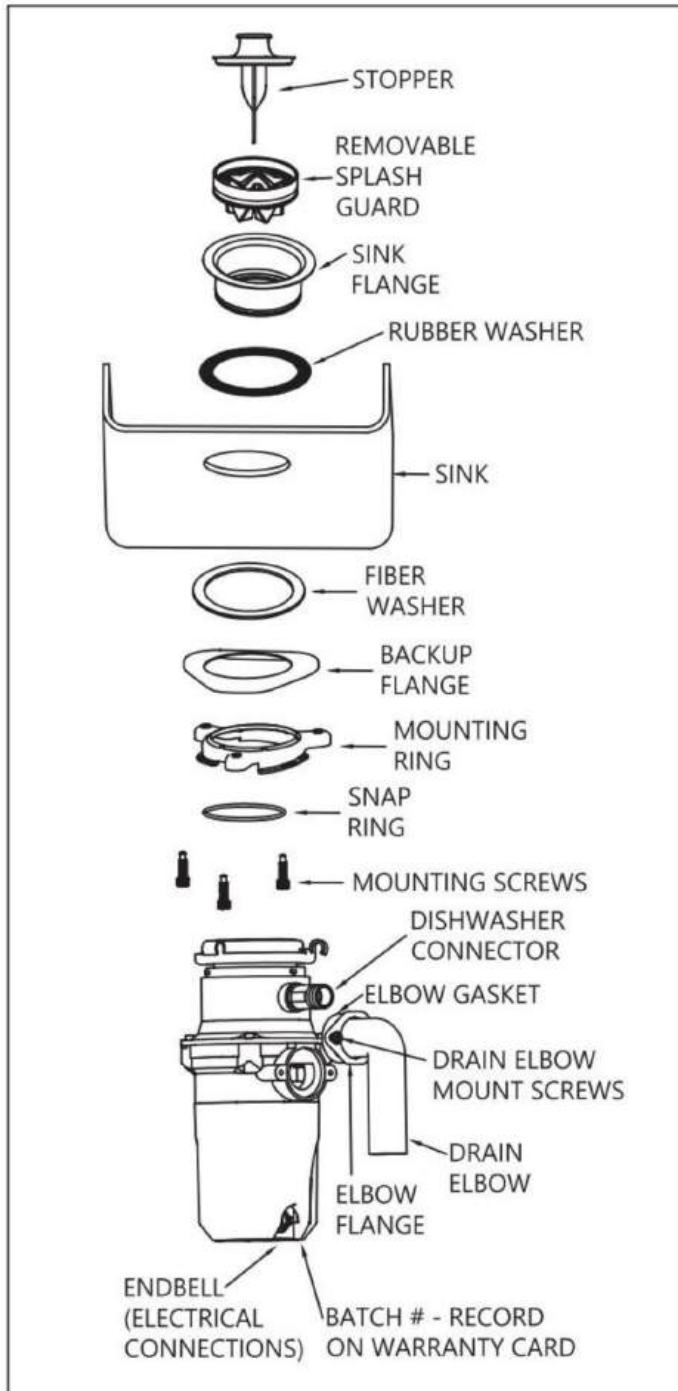
A. Demonteer de montage-eenheid, zoals deze is verzonden, door de flens van de gootsteen te draaien totdat de uitsteeksels zijn uitgelijnd met de inkepingen in de montagering en u de flens van de gootsteen omhoog en uit de resterende montage-eenheid kunt trekken. Let op de volgorde van deze onderdelen terwijl ze worden gestapeld en raadpleeg 3A en 3B om elk onderdeel te identificeren. Pak de 3 montageschroeven uit en schroef ze halverwege door de montagering (let op: "THIS SIDE UP" staat op de bovenkant van de montagering). Stapel vervolgens de rubberen pakking op de beschermring en plaats ze bovenop de puntige uiteinden van de montageschroeven.

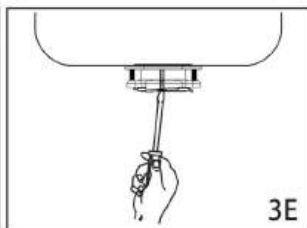
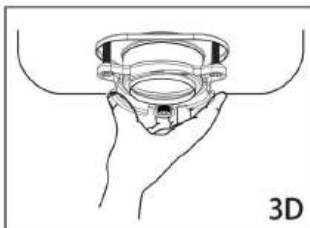
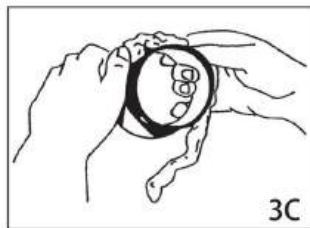
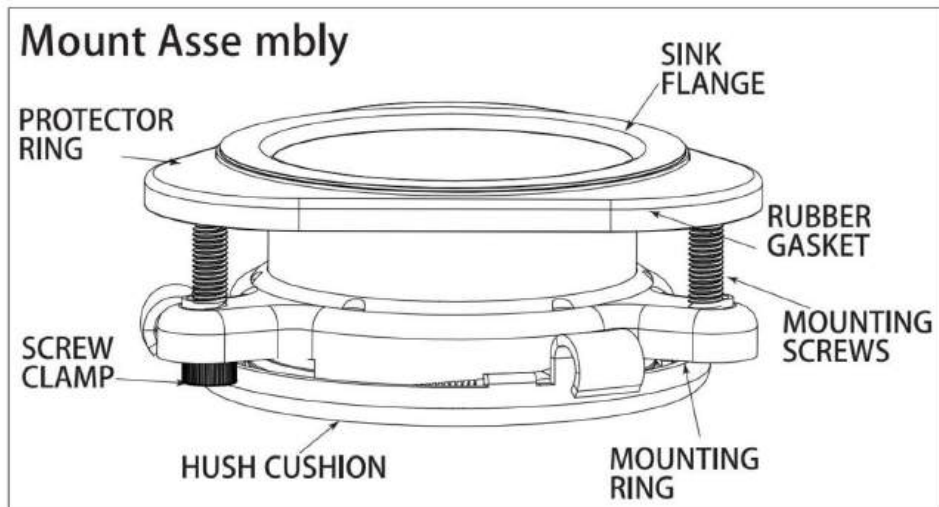
B. Houd deze gemonteerde onderdelen bij elkaar en zet ze apart. Voordat u de afvalvermaler op de montage-eenheid onder de gootsteen bevestigt, kunt u oefenen met het bevestigen van de groef van het Hush Cushion aan de rand aan de onderkant van de gootsteenflens (zie 3A en lees Sec. 6).

C. Zorg ervoor dat uw gootsteen schoon is. Vul de onderkant van de flens van de gootsteen met loodgieterskit (zie 3C) Plaats de flens van de gootsteen zo dat deze gecentreerd en leesbaar is als u in uw gootsteen kijkt. Duw de flens van de gootsteen stevig in de opening van de gootsteen om een goede afdichting te maken. Beweeg of draai de flens van de gootsteen NIET als deze eenmaal is geplaatst, anders kan de afdichting worden verbroken.

D. Neem het resterende deel van de montage, zoals het opzij was gezet en zorg ervoor dat de rubberen pakking bovenop de beschermring zit. Lijn de inkepingen in de montagering uit met de uitsteeksels van de flens van de gootsteen, terwijl u de flens van de gootsteen stevig met één hand vasthoudt. Schuif de montage omhoog op de flens van de gootsteen, voorbij de uitsteeksels en draai de montage een kwartslag, zodat deze vanzelf hangt (zie 3D).

E. Draai de 3 bevestigingsschroeven gelijkmatig vast met een schroevendraaier (zie 3E). NIET TE DRAAI AAN! Knip overtollige stopverf af.





## EZ-montagesysteem

### LEES HET VOLLEDIG DOOR VOORDAT U BEGINT

**OPMERKING:** Let goed op de volgorde van de montageonderdelen, aangezien deze correct door de fabriek gemonteerd. Raadpleeg ook het kussenbevestigingsdetail in illustratie 3J hieronder voor de juiste oriëntatie van de kussenbevestiging.

**OPMERKING:** Probeer deze montage eerst uit voordat u onder de gootsteen gaat staan, zodat u een idee krijgt van hoe de onderdelen in elkaar passen.

A. Demonteer de montage-eenheid van de afvalverwijderaar door de montageering naar links te draaien (met de klok mee) en verwijder.

B. Til de montageering omhoog naar de bovenkant van de gootsteenflens. Verwijder de kussenbevestiging. Verwijder montageering. U kunt op dit punt oefenen met het installeren van de kussenbevestiging voordat u onder de gootsteen staat. Zie paragraaf H. Zie ook de "Belangrijke mededeling: Detail van kussenbevestiging."

C. Schroef de steuning los van de gootsteenflens en verwijder de vezelpakking. U bent nu links met gootsteenflens en rubberen pakking.

D. De rubberen pakking wordt gebruikt in plaats van loodgieterskit bij roestvrijstalen spoelbakken.

Voor andere wasbakken is stopverf nodig.

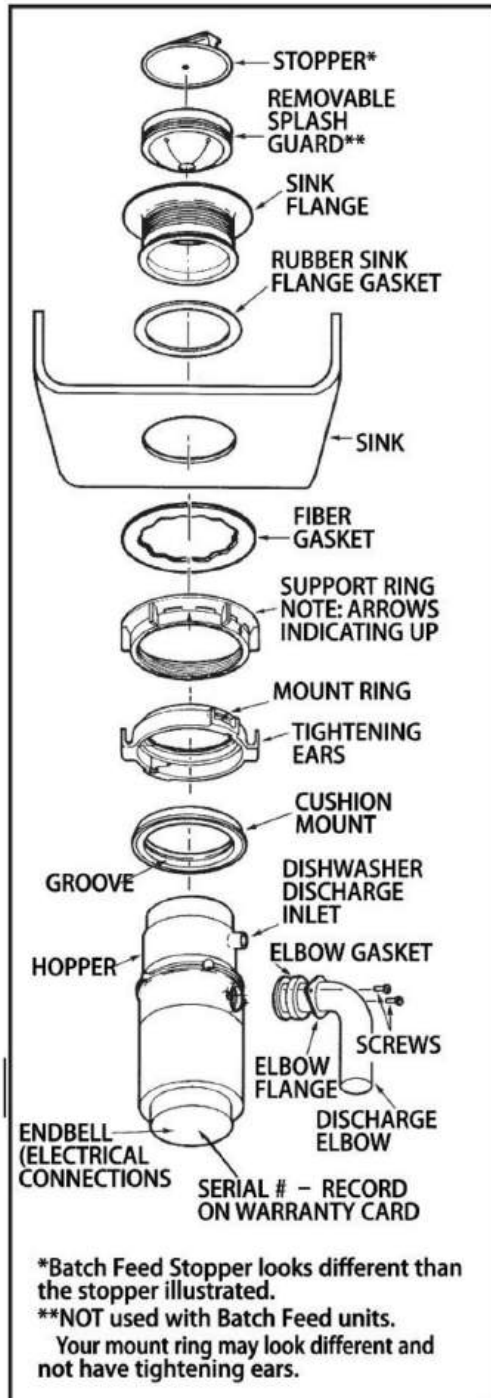
E. Als u geen stopverf gebruikt, steekt u de gootsteenflens door de rubberen pakking in de gootsteenopening.

Draai de gootsteenflens niet meer nadat deze op zijn plaats zit.

F. Als u stopverf gebruikt in plaats van de pakking, vormt u een ring rond de onderkant van de gootsteenflens. Steek de flens in de opening van de gootsteen en druk hem stevig aan om overtollig water eruit te persen. stopverf. Van onder de gootsteen, snijd overtollige stopverf af tot aan de onderkant van de gootsteenopening.

G. Schuif de vezelpakking van onder de gootsteen over de blootgestelde gootsteenflens. Met pijlen omhoog wijzend, schroef de steuning op de flens van de gootsteen, draai deze met de hand vast totdat de gootsteenflens beweegt niet (zie 3F). Op dit punt wilt u misschien een stop in de gootsteen plaatsen en vul met water om de gootsteenflens te controleren en er zeker van te zijn dat er geen lekken zijn.

H. Plaats de montage over de flens van de gootsteen en houd deze op zijn plaats terwijl u het kussen installeert montage (grote kant naar beneden) zodat de groef aan de binnenkant van de kussenmontage over de lip past op de flens van de gootsteen, vergelijkbaar met het plaatsen van het deksel op een plastic container (zie 3G, 3H en 3J). Lees de belangrijke mededeling hieronder.



\*Batch Feed Stopper looks different than the stopper illustrated.

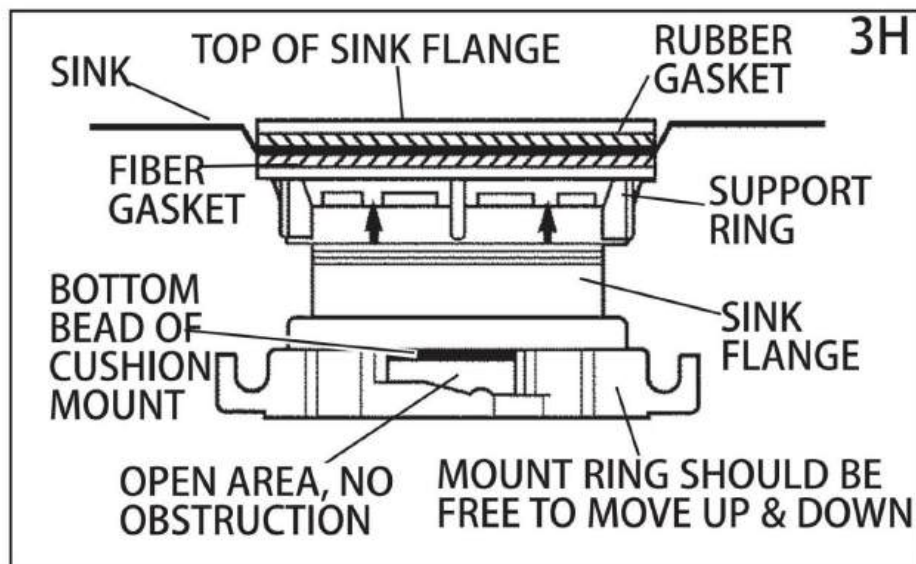
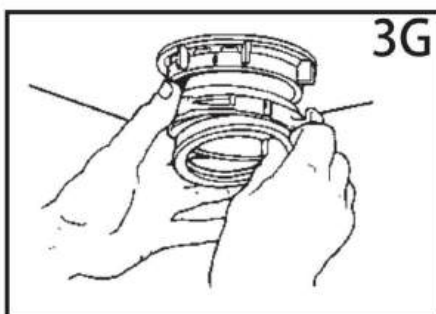
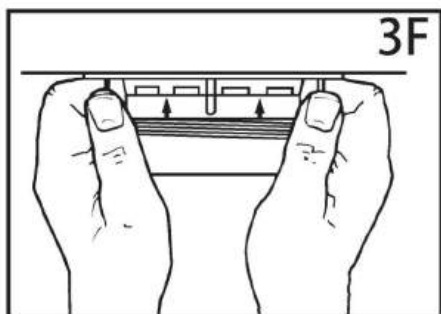
\*\*NOT used with Batch Feed units.

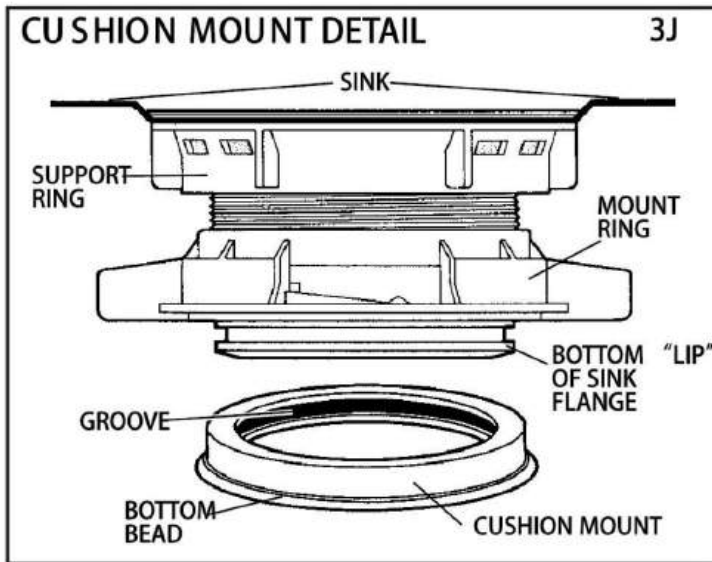
Your mount ring may look different and not have tightening ears.

## BELANGRIJKE OPMERKING: DETAIL VAN DE KUSSENMONTAGE

Wanneer de kussenbevestiging correct is geïnstalleerd, past de lip van de inktflens in de groef aan de binnenkant van de kussenbevestiging en kan de bevestigingsring naar beneden worden getrokken over de kussenbevestiging en vrij draaien. De onderste kraal van het kussen

De houder fungeert als een pakking tussen de onderkant van de inktflens en de bovenkant van de afvoer. Zie afbeelding 3J.





## 4. ELEKTRISCHE AANSLUITINGEN

Nu is het tijd om het SERIENUMMER (dat u vindt op de onderkant van de afvalverwijderaar) op de garantietafel te noteren.

ALS U NIET BEKEND BENT MET ELEKTRISCHE STROOM- EN PROCEDURES,  
CALLA GEKVALIFICEERDE ELEKTRICIEN

WAARSCHUWING: ONJUISTE AANSLUITING VAN DE APPARATUURGROEP

EEN GELEIDER KAN EEN RISICO OP EEN ELEKTRISCHE SCHOK VEROORZAKEN. CONTROLEER

MET EEN GECERTIFICEERDE ELEKTRICIEN OF SERVICEMANIF WEET U NIET DAT

OF HET APPARAAT CORRECT GEARD IS. NIET

WIJZIG DE STEKKER DIE BIJ HET APPARAAT IS GELEVERD, ALS DEZE NIET PAST

DE OUTLET, LAAT EEN GOED OUTLET INSTALLEREN DOOR EEN GEKVALIFICEERDE  
ELEKTRICIEN.

## AARDING INSTRUCTIES

VOOR AFVALVERWERKERS UITGERUST MET AGRONDSTROOM

KOORD.

Gebruik dit verwarmingsproduct nooit met:

Dit apparaat moet geaard zijn. In het geval van een storing of defect biedt aarding een pad van de minste weerstand voor elektrische stroom om het risico te verkleinen van elektrische schokken. Dit apparaat is uitgerust met een snoer met een apparatuur-aardingsgeleider en een aardingsstekker. De stekker moet worden aangesloten in een geschikt stopcontact dat correct is geïnstalleerd en geaard in overeenstemming met met alle lokale codes en verordeningen.

**VOOR AFVALVERDELERS DIE NIET ZIJN UITGERUST MET EEN GEGRONDE PLUG-IN STROOMKABEL.**

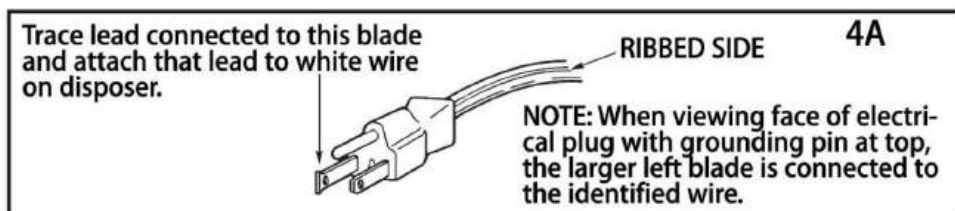
Dit apparaat moet geaard zijn. In het geval van een storing of defect biedt aarding een pad van de minste weerstand voor elektrische stroom om het risico te verkleinen van elektrische schokken. Het (te installeren) netsnoer moet een uitrusting hebben aardingsgeleider en een aardingsstekker. De stekker moet in een geschikt stopcontact dat correct is geïnstalleerd en geaard in overeenstemming met alle plaatselijke codes en verordeningen.

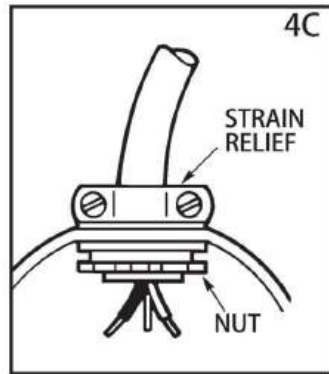
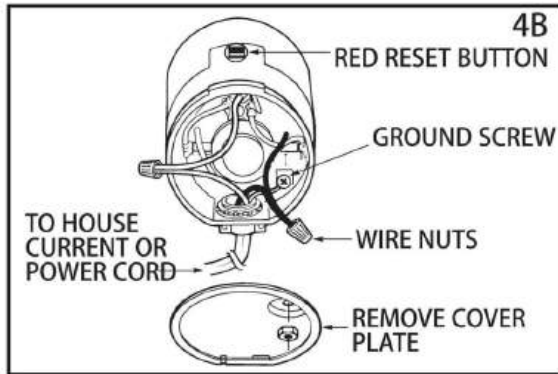
Koppel de elektrische stroom naar het circuit van de afvalverwijderaar los vóór de installatie. Schakel het circuit de stroomonderbreker in de UIT-stand zetten of de zekering verwijderen.

A. Sluit de afvalvermaler alleen aan op 110-120 Volt, 60 Hz wisselstroom.

B. Als er een stekkersnoer wordt gebruikt, gebruik dan een stekker met drie pinnen (zie 4A). De aardingsdraad moet bevestigd aan de aardschroef aan de onderkant van de eindbel (zie 4B).

C. Gebruik een kabelklem met trekcontlastingsconnector op de plaats waar het netsnoer de kabel binnenkomt. afvoeren (zie 4C).





Bedrading van de afvalverwijderaar rechtstreeks op de huisstroom Dit apparaat moet worden aangesloten op een geaard, metalen permanent bedradingssysteem of een apparaat. aardingsgeleider moet worden uitgevoerd met de circuitgeleiders en aangesloten op de apparatuur-aarding terminator of kabel op het apparaat.

A. Als u een BX-kabel gebruikt:

1. Plaats de kabelconnector in het gat.
2. Sluit de witte draad aan op de witte aansluiting van de afvalverwijderaar.
3. Sluit zwart aan.
4. Sluit de kale aarde aan.

Als er geen BX-kabel wordt gebruikt, moet er een aparte aardingsdraad worden aangebracht op de dichtstbijzijnde koudwatermetaalaansluiting. buis of andere geschikte grond, met behulp van de schroef aan de onderkant van de eindbel voor de aarddraad (zie 4C).

B. Als uw voeding geen aardingsdraad heeft, moet u er zelf een voorzien

tenzij er een metalen kabel wordt gebruikt. Bevestig een koperdraad stevig aan de aarding van de afvalverwijderaar schroef en bevestig het andere uiteinde van de draad aan een metalen koudwaterleiding. Gebruik alleen UL goedgekeurde grondklem. Als er in uw huis een kunststofbuis wordt gebruikt, laat dan een gekwalificeerde elektricien moet een goede aarding installeren.

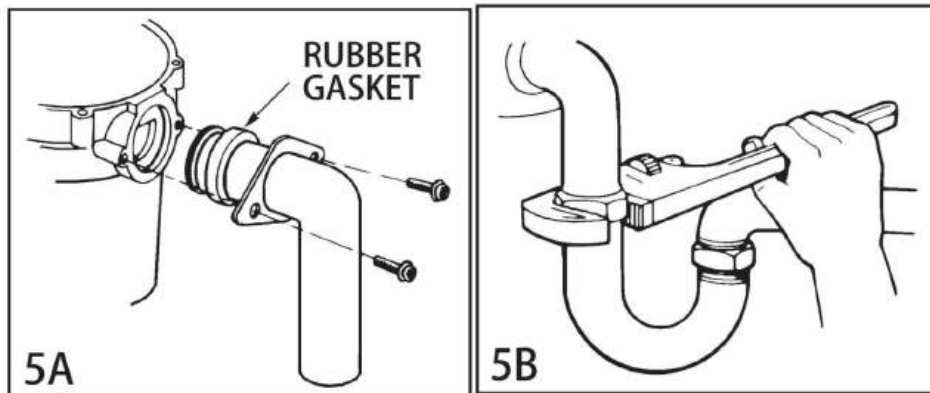
## 5. BEVESTIGING VAN DE AFVOER-ELLEBOOG

A. Sluit de afvalbocht aan op de afvalverwijderaar (zie 5A), ga verder met stap 6 en

Sluit de onderkant van de elleboog aan door de glijmoer vast te draaien (zie 5B).

B. Als u het apparaat aansluit op een vaatwasser, ga dan terug naar sectie 2B. Als dat niet het geval is, zorg er dan voor dat alle de aansluitingen van de leidingen goed vastzitten en voldoen aan alle loodgietersvoorschriften en

verordeningen. Laat het water lopen en controleer op lekken.



## 6. AANSLUITEN VAN DE AFVOER OP DE MONTAGE-EENHEID

### 3-BOUTEN BEVESTIGING (Zie sectie 3 voor uw bevestigingstype.)

A. Druk stevig rond het Hush Cushion om ervoor te zorgen dat het goed vastzit in de nek van gooi het weg.

B. Smeer de bovenste binnenlip van het rubberen Hush Cushion in met vloeibare zeep.

C. Lijn de afvoerbocht van de afvalverwijderaar uit met de val onder de montage-eenheid. Gids afvoer omhoog en grijp de groef van het Hush Cushion rond de rand bij de onderkant van de gootsteenflens (zie 6A en zie 3B). Terwijl u de verwijderaar, draai de schroefklem rond Hush Cushion vast. De verwijderaar zal nu vanzelf hangen.

D. Als u de afvalverwijderaar moet draaien, zorg er dan voor dat de flens van de gootsteen niet draait. verbreek de verzegeling die is ontstaan bij de installatie. Ga terug naar stap 5A en zie 5B.

### **BELANGRIJK - LEES DIT AUB**

Verwijder de klem niet van het Hush Cushion of het Hush Cushion van de trechter. Beide Onderdelen zijn in de fabriek geïnstalleerd en klaar voor installatie.

Smeer het bovenste schuine oppervlak van het rubberen Hush Cushion in met vloeibare zeep voordat u het gebruikt. aangrijpende afvoer op gootsteenflens. Plaats Hush Cushion lip in gootsteenflensgroef met een lichte wiebelende beweging. Draai de klem vast (zie 6B).

### **EZ MOUNT (Zie sectie 3 voor uw montagetype.)**

A. Lijn de afvalverwijderaar uit onder de montage-eenheid. Leid de trechteruitsteeksels in bevestigingsringsleuven. Draai de bevestigingsring ongeveer 1/4' naar rechts zodat de afvalverwijderaar tijdelijk

ondersteund (zie 6C).

B. Draai de montagering en de afvoerbuis totdat de afvoerbuiselleboog in lijn ligt met de afvoerbuis (zie 6D).

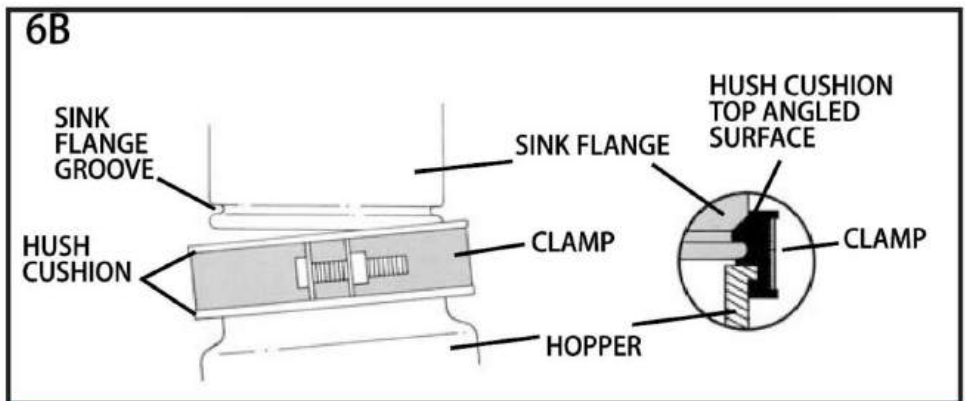
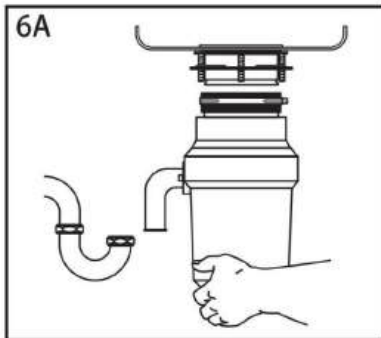
C. Draai de montagering naar rechts (tegen de klok in) totdat deze stevig vastzit. Tik op de

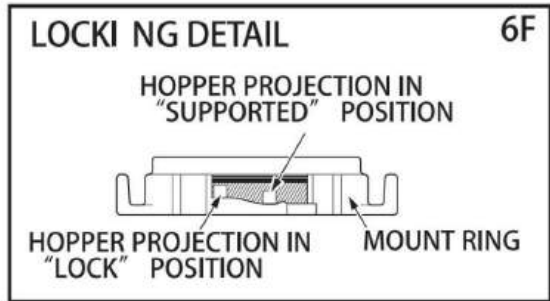
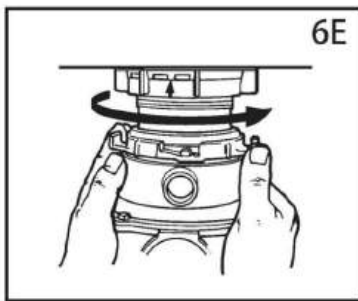
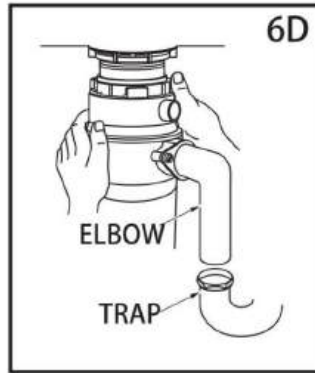
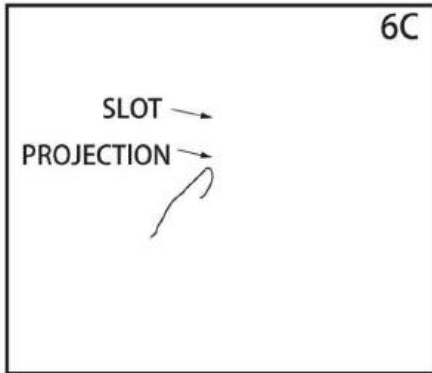
Monteer ringoren met een hamer totdat de vergrendelingspositie is bereikt. Hopper

De uitsteeksels moeten zich uiterst links van de montagesleuven bevinden (zie 6E).

D. Als de montagering moeilijk te draaien is, kunt u een kleine hoeveelheid vaseline of

vloeibare zeep naar trechterprojecties. Laat water lopen en controleer op lekken.





## 7. GEBRUIKSAANWIJZING

De Anti-Jam Swivel Impellers maken een klikkend geluid als ze op hun plaats worden gezwaaid.

Dit geeft aan dat de werking normaal is.

A. Verwijder de stop van de gootsteen. Zet een gemiddelde stroom koud water aan.

B. Zet de schakelaar op AAN; uw motor draait op volle snelheid en is klaar voor gebruik.

C. Schraap voedselresten weg. Gooi tafelresten, schillen, schillen, zaden, pitten, kleine botten en koffiedik in de gootsteen. Om de afvoer van voedselresten te versnellen, snijd of grote botten, schillen en kolven breken. Grote botten en vezelige schillen hebben aanzienlijke maaltijd en worden gemakkelijker weggegooid met ander afval.

Wees niet ongerust dat de disposer langzamer gaat werken tijdens het malen. De disposer is het koppel (slijpvermogen) neemt daadwerkelijk toe en werkt onder normale omstandigheden voorwaarden.

D. Laat het water en de afvoer ongeveer 15 minuten lopen voordat u de afvoer uitschakelt.

seconden nadat het versnipperen stopt. Dit zorgt ervoor dat al het afval grondig wordt doorgespoeld

via sifon en afvoer.

### TIPS VOOR EEN SUCCESVOLLE WERKING

A. Zorg ervoor dat de afvalverwijderaar leeg is voordat u uw vaatwasser gebruikt, zodat deze kan leeglopen

op de juiste manier.

B. U kunt de stop in de afvoer laten zitten als u deze niet gebruikt, om te voorkomen dat de afvoer verstopt raakt.

voorkomen dat keukengerei en vreemde voorwerpen in de afvalvermaler vallen.

C. Uw afvalvermaler is robuust gebouwd om u vele jaren probleemloos van dienst te zijn.

zal alle normale voedselverspilling verwerken, maar zal GEEN dergelijke items malen of weggooien

plastic, blikjes, doppen van flessen, glas, porselein, leer, doek, rubber, touw, clam en

oesterschelpen, aluminiumfolie of veren.

### GEBRUIKSAANWIJZING VOOR BATCH FEED

De Anti-Jam Swivel Impellers maken een klikkend geluid als ze op hun plaats zwaaien.

Dit geeft aan dat de werking normaal is.

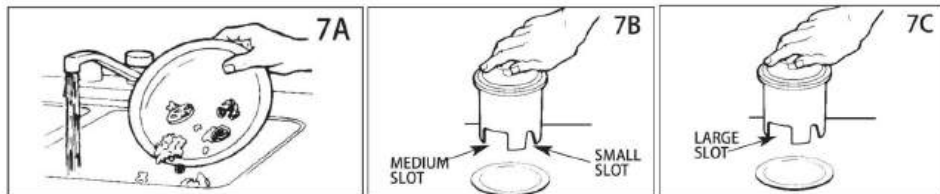
A. Verwijder de stop van de gootsteen en zet de kraan open met koud water.

B. Schraap voedselresten weg. Tafelresten, groenteschillen, kolven, schillen, pitten, botten en koffiedik gaan door de gootsteen. (zie 7A)

C. Plaats de stop om de afvalverwijderaar te starten. (zie 7B) Een van de twee kleine sleuven in de stop basis moet uitgelijnd zijn met de schakelaarplunjer in de nek van de afvalverwijderaar. Duw naar beneden stevig om de vermaler aan te zetten. Til de stop op om de vermaler uit te schakelen.

D. Laat de verwijderaar 15 seconden draaien nadat het versnipperen is gestopt. Dit zorgt ervoor dat al het afval wordt grondig doorgespoeld via de afvoer.

E. Om de gootsteen te vullen, plaatst u de stop en lijnt u de grootste sleuf uit met de schakelaarplunjer. (zie 7C) Druk omlaag om de gootsteen af te sluiten zonder de afvalverwijderaar te starten. Wanneer middelgrote sleuf (zie 7B) in de stopbasis is uitgelijnd met de schakelaarplunjer, water kan weglopen, maar serviesgoed en dergelijke kunnen niet per ongeluk in de afvalvermaler terecht komen.



## 8. PROBLEMEN OPLOSSEN

Voordat u om reparatie of vervanging vraagt, raden wij u aan de  
volgend.

**LUIDE GELUIDEN:** (Behalve die tijdens het malen van kleine botten en fruitpitten):

Deze worden meestal veroorzaakt door het per ongeluk binnendringen van een lepel, een dop van een fles of iets anders.

vreemd voorwerp. Om dit te verhelpen, schakelt u de elektrische schakelaar en het water uit. Nadat de afvalverwijderaar is gestopt, verwijder \*spatscherm, verwijder object met lange tang, en

\*spatbord vervangen.

**HET APPARAAT START NIET:** Haal de stekker uit het stopcontact of zet de schakelaar aan de muur of

Zet de schakelaar van de zekeringkast op de stand "UIT", afhankelijk van uw model en bedrading

configuratie. Verwijder de stop en/of \*spatbescherming. Controleer of de draaitafel

draai vrij met behulp van een houten bezemsteel. Als de draaitafel vrij draait, vervang dan de

spatbescherming en controleer de resetknop om te zien of deze is geactiveerd. Reset

De knop is rood en bevindt zich tegenover de afvoerbocht, bijna onderaan (zie 8A).

Druk op de knop totdat u een klik hoort en deze ingedrukt blijft.

Als de resetknop niet is geactiveerd, controleer dan of er sprake is van kortsluiting of een gebroken draadverbinding naar de afvalverwijderaar. Controleer de elektrische schakelaar, zekeringkast of stroomonderbreker. Als de bedrading en elektrische componenten intact zijn, kan het apparaat interne problemen hebben die een reparatie vereisen service of vervanging.

\* Spatscherm niet gebruikt op Top Control/Batch Feed-eenheid.

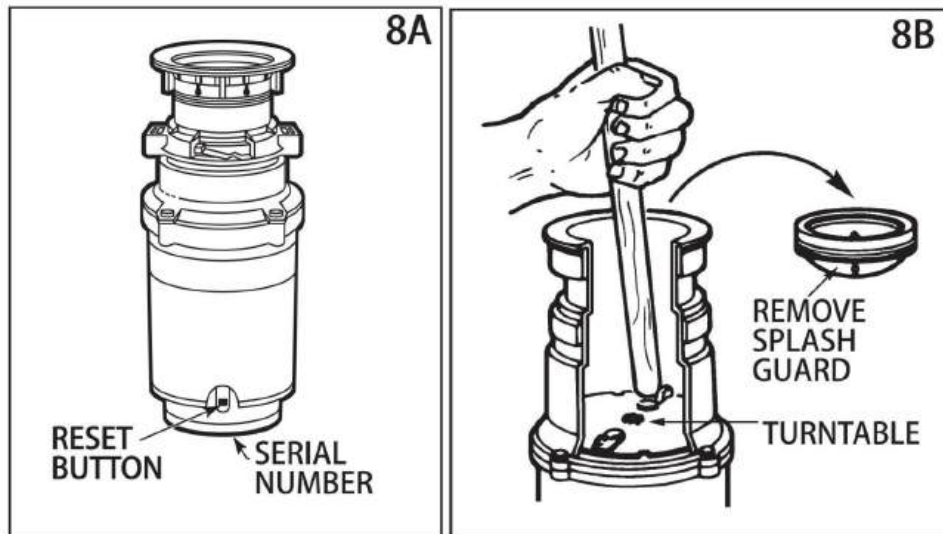
**ALS DE DRAAIPLATEAU NIET VRIJ DRAAIT:** Schakel de afvalverwijderaar uit en controleer vervolgens of er elk vreemd voorwerp dat tussen de draaitafel en de maalring vastzit. Maak het voorwerp los door

draaitafel met een houten bezemsteel en verwijder het voorwerp. (zie 8B) Als er geen

Als er een vreemd voorwerp aanwezig is, kunnen er interne problemen zijn.

**LEKKAGE:** Als het apparaat aan de bovenkant lekt, kan dit de volgende oorzaken hebben:

1. Onjuiste plaatsing van de gootsteenflens (centrering van de pakking, stopverf of vastdraaien).
2. Steuning niet goed vastgedraaid.
3. Defecte of onjuist geïnstalleerde kussenbevestiging. Als het apparaat lekt bij de afvoerbocht, Lekkage kan het gevolg zijn van het niet goed vastdraaien van de bouten van de elleboogflens.



## 9. REINIGING EN ONDERHOUD

10. Om machinaal te drogen, doe je je product in een gezinswasmachine en droger op lage temperatuur onder de 40°C. Zorg ervoor dat het textiel voldoende ruimte heeft om vrij te kunnen tuimelen. Als de deken tijdens het wassen intrekt, rek hem dan voorzichtig uit terwijl hij nog vochtig is totdat hij weer zijn oorspronkelijke formaat heeft.

**SMEER UW AFVOER NIET!**

De motor is permanent gesmeerd. De afvalvermaler is zelfreinigend en reinigt de interne onderdelen bij elk gebruik.

Doe **NOOIT** loog of chemische ontstopingsmiddelen in de afvalvermaler, omdat ze ernstige corrosie van metalen onderdelen veroorzaken. Als u ze gebruikt, kan de resulterende schade gemakkelijk worden gedetecteerd en vervallen alle garanties. Minerale afzettingen van uw water kunnen zich vormen op de roestvrijstalen draaitafel, waardoor het lijkt alsof er roest in zit. **RAAK NIET GESCHRIK**  
De gebruikte roestvrijstalen draaiplateaus zullen niet corroderen.

## Productspecificaties

Model	Invoer	Beoordeeld stroom	Installatiemodus	Motor type
JW-301	120V wisselstroom/60Hz	1/2 PK	Torsievergrendelingstype installatie	DC-motor
JW-301DCN	220-240V wisselstroom, 50Hz 1PK	1/2 pk	Torsievergrendelingstype installatie	DC-motor
JWM-331	120V wisselstroom/60Hz	1/2 PK	3-bouts montage	DC-motor
JWM-331DCN	220-240V wisselstroom, 50Hz 1PK	1/2 PK	3-bouts montage	DC-motor
JWM-V50	120V wisselstroom/60Hz	3/4PK	3-bouts montage	DC-motor
JWM-V50A	220-240V wisselstroom, 50Hz 1PK	3/4PK	3-bouts montage	DC-motor
JW-V50	120V wisselstroom/60Hz	3/4PK	Torsievergrendelingstype installatie	DC-motor
JW-V50A	220-240V wisselstroom, 50Hz 1PK	3/4PK	DC-motor met 3 bouten	
JW-731	120V wisselstroom/60Hz	1 pk	Torsievergrendelingstype installatie	DC-motor
JW-731DCN	220-240V wisselstroom, 50Hz 1PK	1 pk	3-bouts montage	DC-motor
JWM-931	120Vac/60Hz 1,25PK		Torsievergrendelingstype installatie	DC-motor
JWM-931DCN	220-240V wisselstroom, 50Hz 1PK	1,25 pk	DC-motor met 3 bouten	

**VEVOR<sup>®</sup>**

**TOUGH TOOLS, HALF PRICE**

**Technische ondersteuning en e-  
garantiecertificaat [www.vevor.com/support](http://www.vevor.com/support)**

# **VEVOR<sup>®</sup>**

## **TOUGH TOOLS, HALF PRICE**

Teknisk support och e-garanticertifikat [www.vevor.com/support](http://www.vevor.com/support)

### **Avfallshantering**

**Modell: JW-301 / JW-301DCN / JWM-331 /  
JWM-331DCN/JWM-V50/JWM-V50A/JW-V50/JW-V50A  
/JW-731/JW-731DCN/JWM-931/JWM-931DCN**

Vi fortsätter att vara engagerade i att ge dig verktyg till konkurrenskraftiga priser. "Spara hälften", "halva priset" eller andra liknande uttryck som används av oss representerar bara en uppskattning av besparingar du kan dra nytta av att köpa vissa verktyg hos oss jämfört med de stora toppmärkena och betyder inte nödvändigtvis att täcka alla kategorier av verktyg som erbjuds av oss. Du påminns vänligen om att noggrant kontrollera när du gör en beställning hos oss om du faktiskt sparar hälften i jämförelse med de främsta stora varumärkena.

# VEVOR<sup>®</sup>

TOUGH TOOLS, HALF PRICE

## Avfallshantering Instruktionsmanual



JW-301



JW-301DCN



JWM-331



JWM-331DCN



JWM-V50



JWM-V50A



JW-V50



JW-V50A



JW-731



JW-731DCN



JWM-931



JWM-931DCN

## BEHÖVER HJÄLP? KONTAKTA OSS!

Har du produktfrågor? Behöver du teknisk support? Kontakta gärna

oss:

**Teknisk support och e-garanticertifikat**

**[www.vevor.com/support](http://www.vevor.com/support)**

Detta är den ursprungliga instruktionen, läs alla manualer noggrant innan användning. VEVOR reserverar sig för en tydlig tolkning av vår bruksanvisning. Produktens utseende ska vara beroende av produkt du fått. Förlåt oss att vi inte kommer att informera dig igen om det finns någon teknik eller mjukvaruuppdateringar på vår produkt.

### Läs denna bruksanvisning noggrant före användning!

**WARNING - När du använder matavfallsavfallskvarn är grundläggande försiktighetsåtgärder alltid som ska följas, inklusive följande:**

- 1) Läs alla instruktioner innan du använder avfallskvarnen.
- 2) För att minska risken för skador krävs noggrann övervakning när en kasserare är det används nära barn.
- 3) Placera inte fingrar eller händer i en soptunna.
- 4) Vrid strömbrytaren till avstängt läge innan du försöker åtgärda trassel eller ta bort ett föremål från avfallskvarnen.
- 5) Använd ett långt träföremål som t.ex. när du försöker lossa en papperskorg i en soptunna som en träslev eller träskafet på en kvast eller mopp.
- 6) När du försöker ta bort föremål från en avfallskvarn använd tång med långa handtag eller tång. För en avfallskvarn som är magnetiskt aktiverad, använd icke-magnetiska verktyg.
- 7) För att minska risken för skador på grund av material som kan kastas ut av en kasserare, gör det inte lägg följande i en kasserare:
  - a) Mussla eller ostronskal. b) Frätande avloppsrengörare eller liknande produkter. c) Glas, porslin eller plast. d) Stora hela ben. e) Metall, såsom kapsyler, plåtburkar eller redskap
  - f) Hett fett eller andra heta vätskor.

8) När du inte använder en sopbehållare, låt avloppslocket sitta på plats för att minska risken för att föremål faller in i sopbehållaren.

## JORDNINGSSINSTRUKTIONER

Denna avfallsskivare måste jordas för att minska risken för elektriska stötar i händelse av ett fel eller haveri Jordning ger en väg med minsta motstånd för elektrisk ström. Denna avfallsskivare är utrustad med en sladd som har en utrustningsjordad ledare och en jordad kontakt. Kontakten måste anslutas till ett uttag som är korrekt installerat och jordat i enlighet med alla lokala bestämmelser och förordningar. VARNING - Felaktig anslutning av utrustningens jordning ledare kan leda till risk för elektriska stötar. Kontrollera med en kvalificerad elektriker eller serviceman om du är osäker på om avfallsbehållaren är ordentligt jordad. Om kontakten som medföljer avfallsskivaren inte passar i uttaget, modifiera inte kontakten eller attem.

**Se bilagan för specifik information om din nya avfallsskivare** Anslut kontrollenheten i väggen När du har anslutit nätsladden ordentligt till kontakten, anslut din uppvärmda kudde i väggen.

### **NOTERA:**

Denna matavfallsavfallsskivare har designats för att drivas uteslutande på 120/240 volt, 60/50 Hz.

Användning av annan spänning eller Hz påverkar prestandan negativt.

### **VIKTIG:**

Läs alla instruktioner noggrant. Spara den här guiden för framtida referens.

### **FÖRSIKTIGHET:**

Var noga med att läsa igenom SÄKERHETSINSTRUKTIONER FÖRST GÄLLANDE RISK FÖR

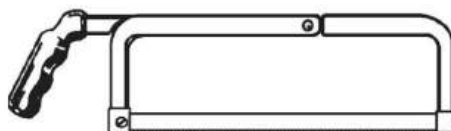
BRAND, ELEKTRISK

CHOCKA ELLER SKADA PÅ PERSONER innan avfallsskivare används.

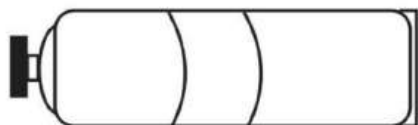
## Verktyg och material du kan behöva



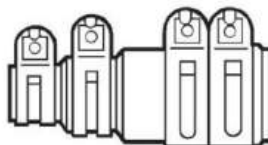
PHILLIPS & FLATBLADE  
SCREWDRIVER



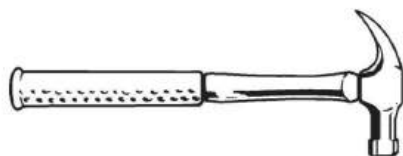
HACKSAW



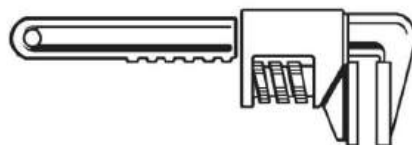
PLUMBER' S PUTTY



DISHWASHER CONNECTOR KIT



HAMMER



PIPE WRENCH



DOWEL OR  
STEEL PUNCH



POWER CORD



STRAIN RELIEF

## VIKTIGA SÄKERHETSINSTRUKTIONER

INSTRUKTIONER AVSEENDE RISK FÖR BRAND, ELEKTRISK STÖT ELLER SKADA TOPERSONS. SPARA DESSA INSTRUKTIONER.

WARNING - När du använder elektriska apparater bör grundläggande försiktighetsåtgärder alltid vidtas

följt, inklusive följande:

1. Läs alla instruktioner innan du använder apparaten.
2. För att minska risken för skada är noggrann övervakning nödvändig när en apparat är används nära barn.
3. Lägg inte fingrar eller händer i en avfallskvarn.
4. Vrid strömbrytaren till avstängt läge innan du försöker åtgärda trassel eller ta bort ett föremål från avfallskvarnen.
5. Använd ett långt träföremål när du försöker lossa en trassel i en avfallskvarn som en träslev eller träskaflet på en kvast eller mopp.
6. När du försöker ta bort föremål från en avfallskvarn, använd långskaft tång eller tång. Om avfallsbehållaren är magnetiskt aktiverad bör icke-magnetiska verktyg användas.
7. För att minska risken för skador av material som kan stöta ut av ett avfall kasserare, lägg inte följande i en kasserare: musslor eller ostronskal; frätande avloppsrengöringsmedel eller liknande produkter; glasporlin eller plast; stora hela ben; metall, såsom kapsyler, plåtburkar, aluminiumfolie eller redskap; hett fett eller annat varmt vätskor; hela majsskal.
8. När du inte använder en avfallskvarn, lämna proppen på plats för att minska risken för föremål som faller ner i avfallskvarnen.
9. ANVÄND INTE avfallshanteraren om inte stänkskyddet är på plats. (Gäller inte Top Control/Batch Feed-enheterna.)
10. För korrekta jordningsinstruktioner, se ELEKTRISK ANSLUTNING del av denna handbok.

## 1. BORTTAGNING AV GAMMEL ENHET

TYPISKA INSTRUKTIONER, DIN MODELL KAN VARIERA.

Innan du påbörjar detta steg, stäng av strömmen vid strömbrytaren eller säkringsdosan.

Om ditt gamla fäste är detsamma som fästet på din nya kasserare, vänd bara på det monteringsanvisningar som finns i avsnitt 3. Om ditt nya monteringsystem är annorlunda, följ dessa instruktioner:

- A. Använd en rörtång för att koppla bort dräneringsledningen där den fästs vid avfallsbehållaren urladdningsrör (se 1A).
- B. Ta bort avfallsbehållaren från diskbänkens fläns genom att vrida monteringsringen åt vänster medurs

(se 1B). Om du inte kan vrida monteringsringen, tryck på en av förlängningarna från ringen med en hammare. Vissa monteringsystem har rörformade förlängningar.

Att föra in en skruvmejsel i ett rör ger ytterligare hävstång för att vrida monteringsring (se 1B). Vissa kasserare kan behöva ta bort eller lossa muttrar från monteringskruvarna (se 1C). Vissa kasserare kan kräva borttagning av en klämman.

**Varning:** Se till att stödja kasseraren när du utför detta steg, annars kan den falla när monteringsringen är bortkopplad från monteringsenheten. om din

Avfallsbehållaren är fast ansluten (metallskärmad kabel som inte använder en väggkontakt), komplett steg C och D. Om du använder en plugin-sladd, gå vidare till steg E.

C. När avfallsbehållaren har tagits bort, vänd upp och ned och ta bort den elektriska kåpan platta (se 1D).

D. Använd en skruvmejsel för att ta bort den gröna jordledningen. Ta bort trådmutterna från svart och vita strömkablar och separera avfallstrådar från strömkablar.

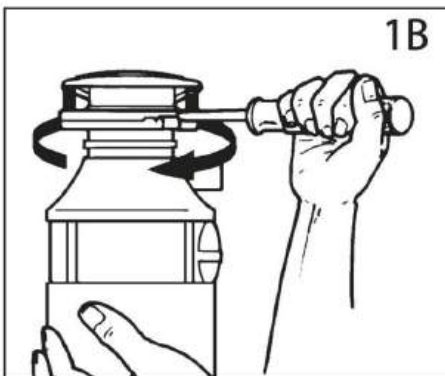
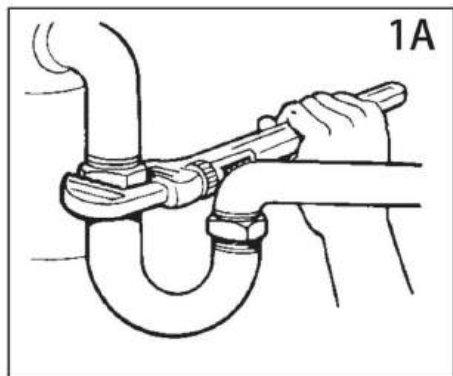
Lossa skruvarna på kabelklämman och separera kabeln från avfallsskvarnen.

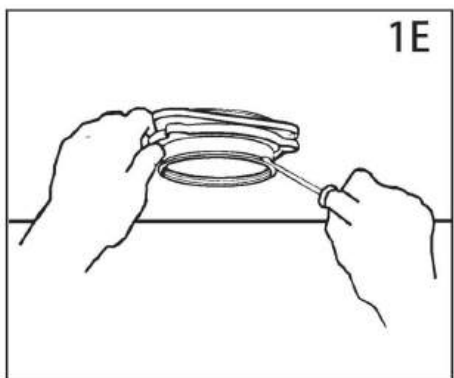
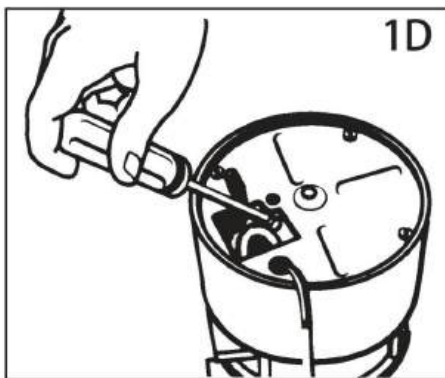
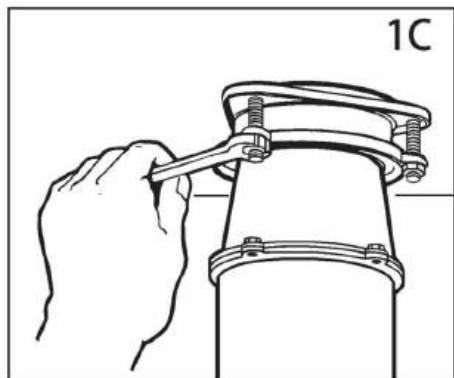
E. För att ta bort kvarvarande monteringsystem från diskbänken, lossa monteringskruvarna, tryck montera ringen upp. Under den finns låsringen. Använd en skruvmejsel för att lossa ringen (se 1E).

Ta bort monteringsringen, skyddsringen och packningen från diskbänkens fläns. Vissa fästen kommer kräver att en stor ring skruvas loss som håller diskbänkens fläns på plats. Dra handfat flänsa upp genom diskhon och rensa bort gammalt spackel från diskbänken.

**VIKTIGT:** Om du inte har ett nytt hem är det här en bra tid att städa

fällan och avloppsledningarna genom att köra en avloppsskruv eller rörmokares orm innan installera din nya kasserare.



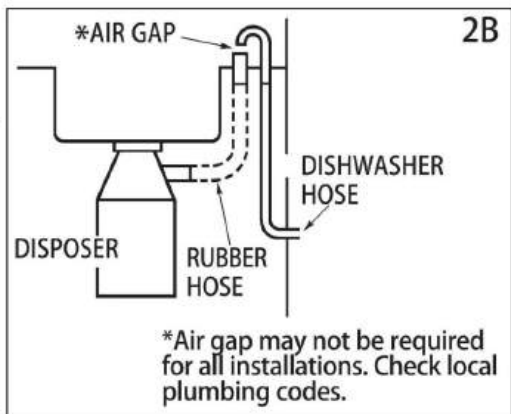
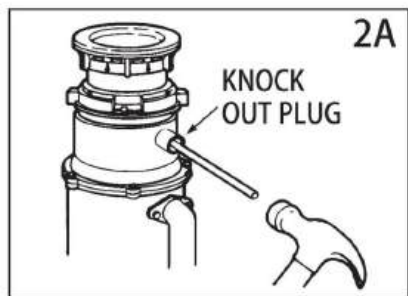


## 2. ANSLUTNING AV DISKMASKINEN

Om du använder en diskmaskin, slutför följande procedur. om diskmaskin inte ska anslutas gå vidare till avsnitt 3.

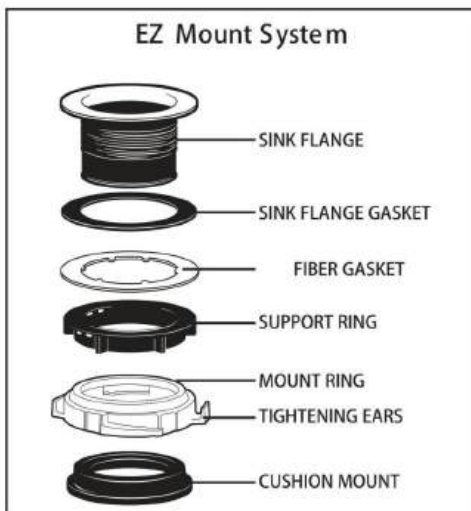
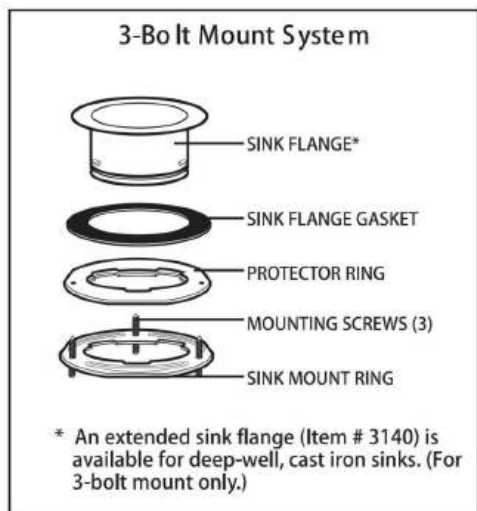
A. Använd ett trubbigt instrument (stålstans eller träpinne), slå ut hela pluggen (se 2A). Använd inte en skruvmejsel eller vassa instrument. När knockout-pluggen faller i avfallsbehållaren kan du ta bort den eller helt enkelt mala upp den när avfallsbehållaren används. Detta kommer inte att skada avfallsbehållaren på något sätt, men det kan ta lite tid att slipa, under flera användningar. Gå till avsnitt 3.

B. Anslut diskmaskinens slang med slangklämma. Om slangstorleken skiljer sig behöver du en Dishwasher Connector Kit (se 2B). Se till att alla VVS-anslutningar är täta och i enlighet med alla VVS-regler och förordningar. Kör vatten och kolla efter läckor.



### 3. INSTALLATION AV MONTERINGSMONTERING

DIN AVFALLSHÅLLARE MEDFÖLJER ETT AV FÖLJANDE FÄSTE SYSTEM




Fortsätt till instruktionerna för din typ av monteringsystem.

### 3-bultsmonteringssystem

#### LÄS HELT INNAN DU STARTAR

**OBS:** Var noga uppmärksam på ordningen på monteringsdelarna, eftersom de har monterats korrekt av fabriken. (Se 3A och 3B.)

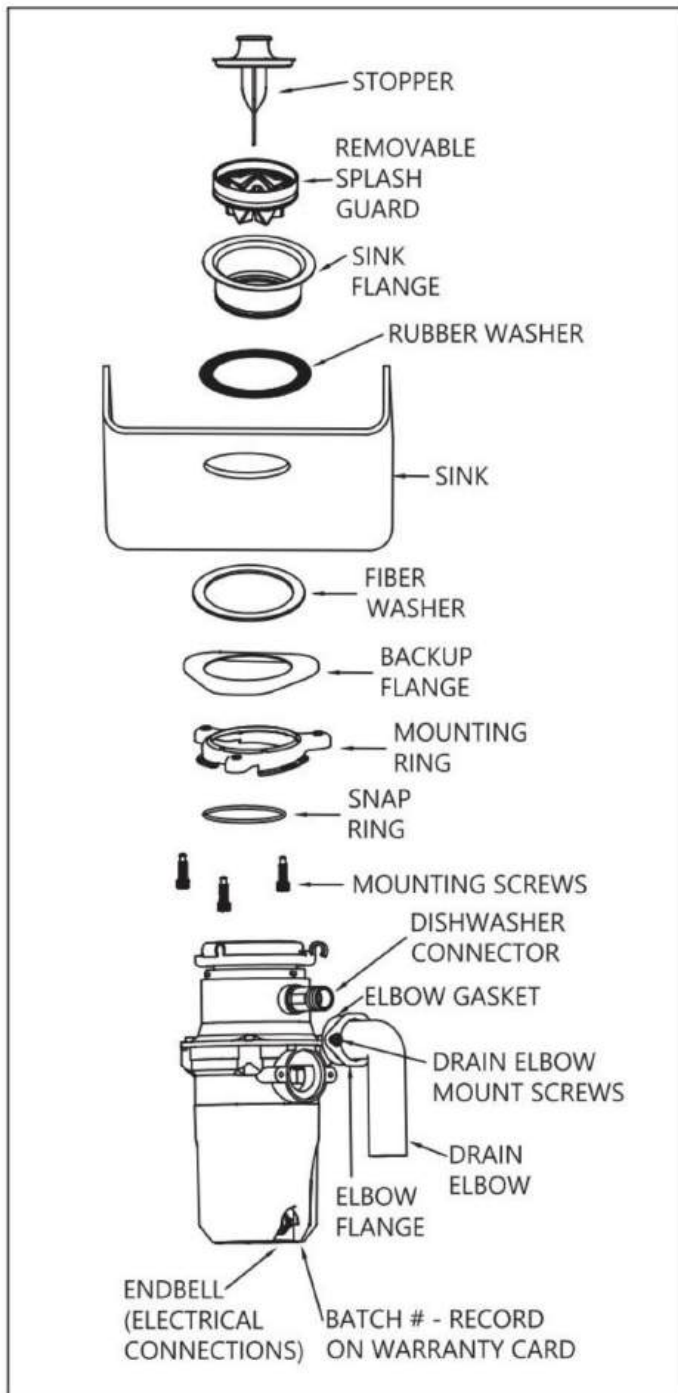
A. Demontera monteringsenheten, när den har skickats, genom att vrida diskbankens fläns tills utsprången är i linje med skårorna i monteringsringen och låter dig dra diskbankens fläns upp och ut ur den återstående monteringsenheten. Notera sekvensen av dessa delar när de staplas och se 3A och 3B för att identifiera varje del. Packa upp de 3 monteringskruvarna och skruva fast dem halvvägs genom monteringsringen (notera "THIS SIDE UP" är tryckt på toppen av monteringsringen). Stapla sedan gummipackningen ovanpå skyddsringen och placera dem ovanpå spetsiga ändrar av fästskruvarna.

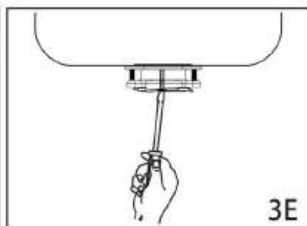
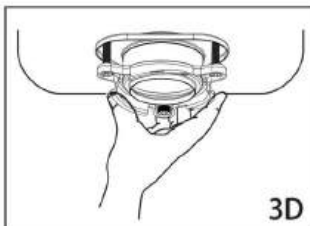
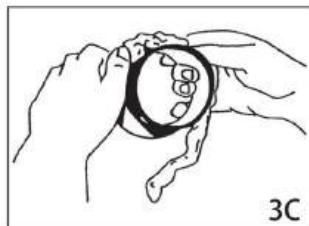
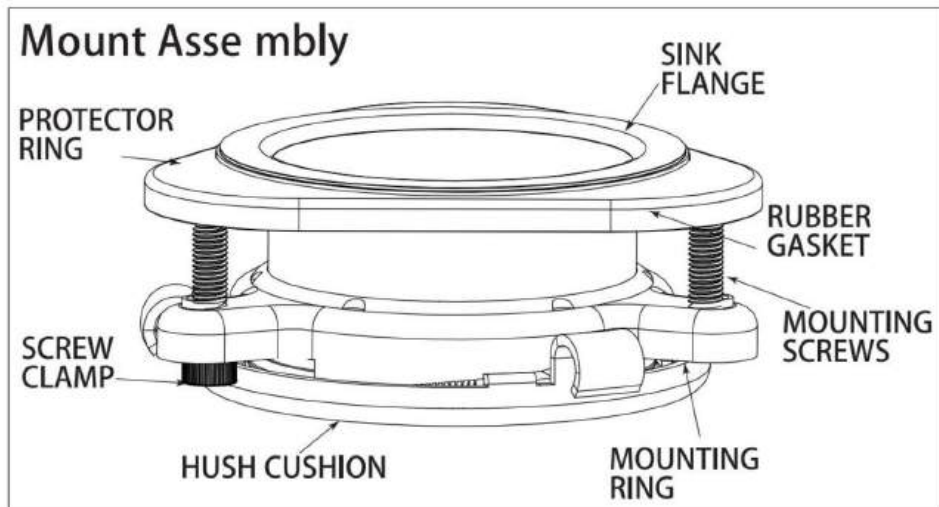
B. Håll dessa sammansatta delar tillsammans och lägg åt sidan. Innan du ansluter avfallsbehållaren till monteringsenheten under diskbanken, kanske du vill öva på att fästa spåret på Hush Cushion till åsen i botten av diskbankens fläns (se 3A och läs Sec. 6). 

C. Se till att diskbanken är ren. Packa underkanten på diskbankens fläns med rörmokarspackel (se 3C) Placera diskbankens fläns så att den är centrerad och läsbar när du tittar in i diskbanken. Tryck in diskbankens fläns ordentligt i diskbänksöppningen för att göra en bra tätning. Flytta eller rotera INTE diskbankens fläns när den väl sitter på plats, annars kan förseglingen vara bruten.

D. Ta den återstående delen av monteringsenheten som den lades åt sidan och se till att gummipackningen är ovanpå skyddsringen. Från under diskbanken, samtidigt som du håller diskbankens fläns stadigt med en hand, rikta in skårorna i monteringsringen med utsprången på diskbankens fläns. Skjut upp monteringsenheten på diskbankens fläns, förbi utsprången och ge monteringsenheten ett 1/4 varv så att den hänger av sig själv (se 3D).

E. Dra åt de 3 monteringskruvarna jämnt med en skruvmejsel (se 3E). SPÅN INTE ÖVER! Klipp bort överflödigt spackel.





## EZ monteringsystem

### LÄS RIKTIGT INNAN ATT STARTA

**OBS:** Var noga uppmärksam på ordningen på monteringsdelarna, som de har korrekt monterad av fabriken. Se också detaljerna på kuddfästet i illustration 3J nedan för korrekt orientering av kuddfästet.

**OBS:** Försök att öva på denna montering innan du går under diskbänken för att få "känslan" av hur delarna passar ihop.

A. Ta isär monteringsenheten från kasseraren genom att vrida monteringsringen åt vänster (medsols) och ta bort.

B. Lyft upp monteringsringen mot diskbänksflänsens topp. Ta bort kuddfästet. Ta bort monteringsring. Du kanske vill öva på att installera kuddfästet vid det här laget innan du är under diskbänken. Se avsnitt H. Se även "Viktigt meddelande: Kuddfästesdetalj."

C. Skruva loss stödringen från diskbänkens fläns och ta bort fiberpackningen. Du är nu vänster med diskbänksfläns och gummipackning.

D. Gummipackningen används istället för rörmokarespackel med rostfria diskhoar.

Andra diskhoar kommer att kräva spackel.

E. Om inget spackel används, för in diskbänkens fläns genom gummipackningen i diskhons öppning.

Vrid inte diskbänkens fläns när den väl sitter på plats.

F. Om du använder spackel istället för packningen, bilda en ring runt diskbänkens undersida

fläns. Sätt in flänsen i diskbänkens öppning, tryck ner hårt för att pressa ut överskott

spackla. Klipp bort överflödigt spackel från diskbänkens underkant

öppning.

G. Från diskbänkens undersida, skjut fiberpackningen på frilagd diskbänksfläns. Med pilar

pekar uppåt, skruva fast stödringen på diskbänkens fläns, dra åt för hand tills diskbänken

flänsen kommer inte att röra sig (se 3F). Vid det här laget kanske du vill sätta in proppen i diskhon

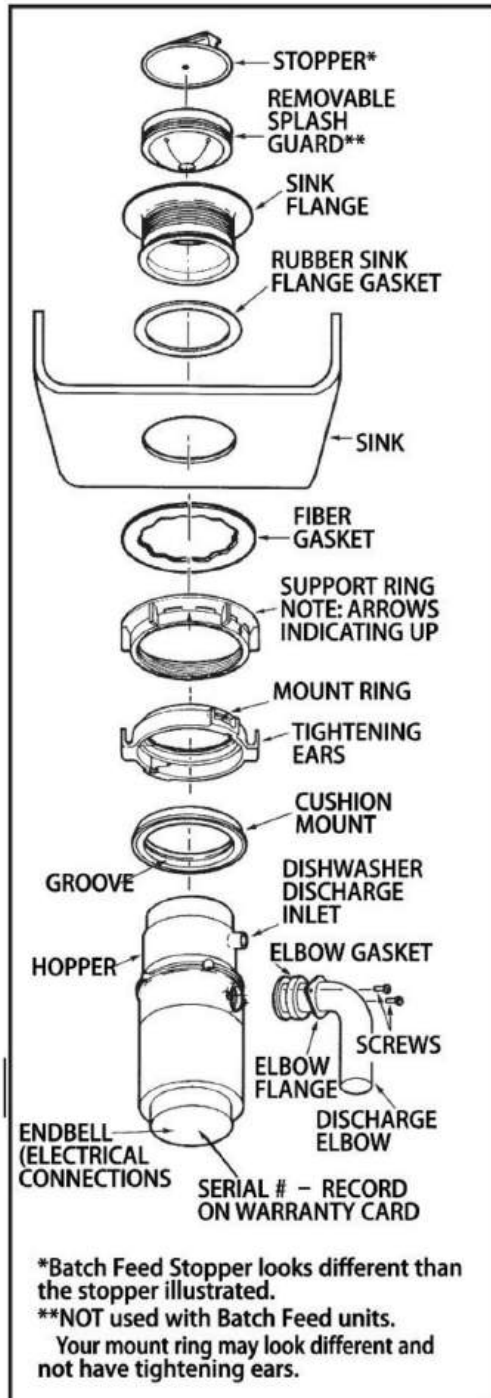
och fyll på med vatten för att kontrollera diskbänkens flänsvatten och försäkra dig om att det inte finns några läckor.

H. Placera monteringsringen över diskbänkens fläns och håll på plats medan du installerar kudden

montera (den stora sidan nedåt) så att spåret på insidan av kuddfästet passar över läppen

på diskbänksfläns, liknande att sätta locket på en plastbehållare (se 3G, 3H & 3J).

Läs det viktiga meddelandet nedan.



\*Batch Feed Stopper looks different than the stopper illustrated.

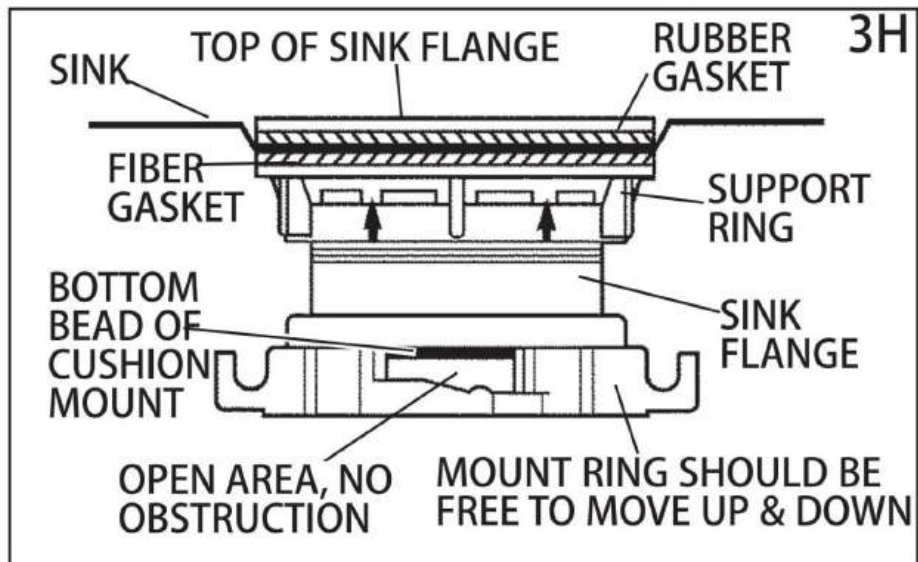
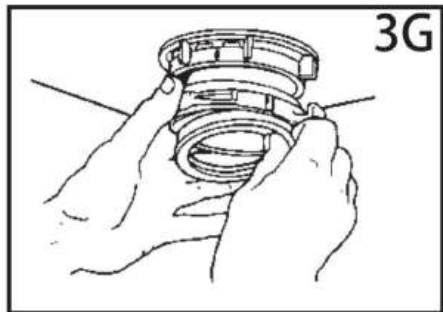
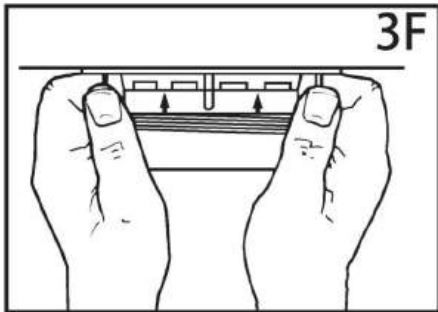
\*\*NOT used with Batch Feed units.

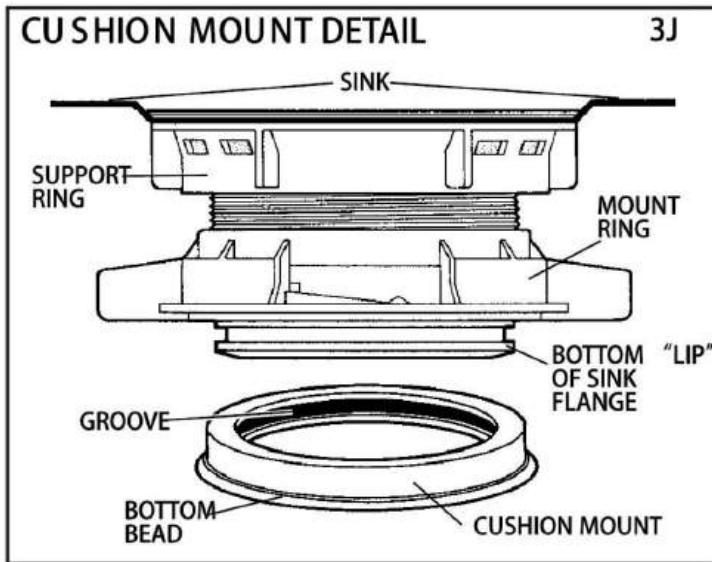
Your mount ring may look different and not have tightening ears.

## VIKTIGT MEDDELANDE: DETALJ FÖR KUDDMONTERING

När kuddfästet är korrekt installerat, passar läppen på bläckflänsen i spåret på insidan av kuddfästet och monteringsringen kan dras nedåt över kuddfästet och kommer att vara fri att rotera. Kuddens bottenpärla

fästet fungerar som en packning mellan botten av bläckflänsen och överdelen av avfallsbehållaren. Se illustration 3J.





## 4. ELEKTRISKA ANSLUTNINGAR

Nu är det dags att registrera SERIENUMMER (finns på undersidan av kasseringen) på garantikortet.

OM DU INTE KÄNNER PÅ ELEKTRISKA KRAFTPROCEDURER,  
CALLA KVALIFICERAD ELEKTRIKER

VARNING: FELÄCKLIG ANSLUTNING AV UTRUSTNINGEN  
KÄNDRÄTTAN KAN FÖRORSAKA SVIK AV ELEKTRISK STÖT. KONTROLLERA  
MED KVALIFICERAD ELEKTRIKER ELLER SERVICEMANIF ÅR DU TIVILPÅ EN  
OM TILLÄMPNINGEN ÄR KORREKT JORDAD. GÖR INTE  
MODIFIERA KONTAKTET SOM MEDFÖLJER APPARATEN OM DEN INTE PASSAR  
UTTAGET, HA ETT RIKTIGT UTTAG INSTALLERAT AV EN KVALIFICERAD  
ELEKTRIKER.

## JORDNINGSDINSTRUKTIONER

FÖR WA STEDISPOSER S UTRUSTAD MED AGRO NDED PLUG-IN STRÖM  
SLADD.

Använd aldrig denna värmande produkt med:

Denna apparat måste vara jordad. I händelse av ett fel eller haveri ger jordning en väg med minsta motstånd för elektrisk ström för att minska risken av elektrisk stöt. Denna apparat är utrustad med en sladd med en utrustningsjordledare och en jordad kontakt. Kontakten måste vara ansluten till ett lämpligt uttag som är korrekt installerat och jordat i enlighet med med alla lokala koder och förordningar.

**FÖR AVFALLADE SPOSER EJ UTRUSTAD MED AGROUNDAD PLUG-IN ELSLAD.**

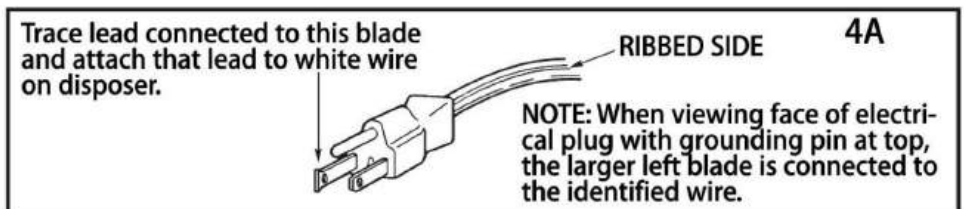
Denna apparat måste vara jordad. I händelse av fel eller haveri ger jordning en väg med minsta motstånd för elektrisk ström för att minska risken av elektrisk stöt. Nätssladden (som ska installeras) måste ha en utrustning jordledare och en jordkontakt. Kontakten måste vara ansluten till en lämpligt uttag som är korrekt installerat och jordat i enlighet med alla lokala koder och förordningar.

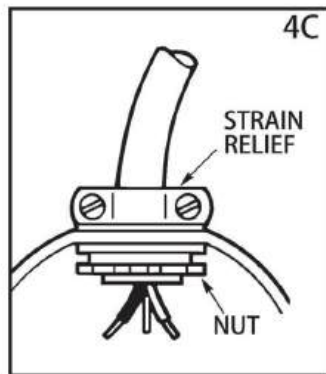
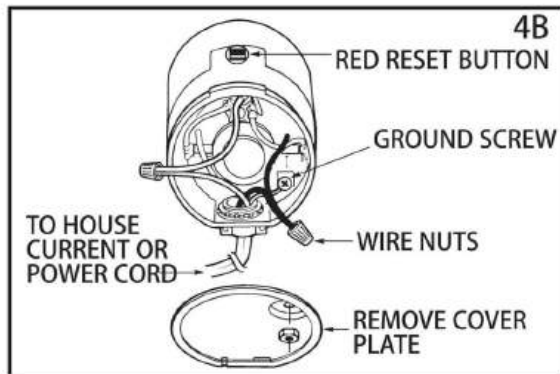
Koppla bort strömmen till avfallskvarnkretsen före installation. Vänd kretsen brytaren till AV-läget eller ta bort säkringen.

A. Anslut endast avfallsbehållaren till 110-120 volt, 60 Hz AC-ström.

B. Om plug-in sladd används, använd en trestiftskontakt (se 4A). Jordtråd ska vara fäst vid jordskruven i botten av ändklockan (se 4B).

C. Använd en kabelklämma dragavlastningskontakt där nätssladden går in i kassera (se 4C).





Koppla avfallshanteraren direkt till husström Denna apparat måste anslutas till en jordat, permanent ledningssystem av metall eller en utrustning. jordledare måste köras med kretsledarna och anslutas till utrustningens jordning terminator eller ledning på apparaten.

A. Om du använder BX-kabel:

1. installera kabelkontakten i hålet.
2. Anslut den vita ledningen till den vita ledningen på avfallskvarnen.
3. Anslut svart.
4. Anslut bar mark.

Om BX-kabel inte används, tillhandahåll en separat jordledning till närmaste kallvattenmetall rör eller annan lämplig mark, med hjälp av skruven i botten av ändbälgen för jordledning (se 4C).

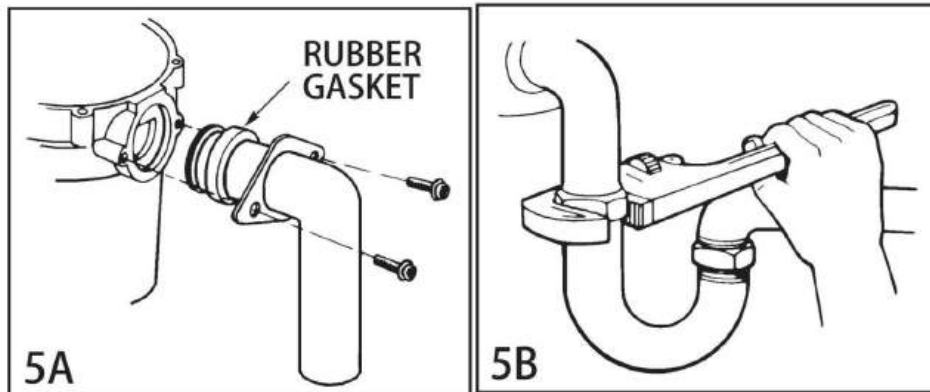
B. Om din strömförsörjning inte innehåller en jordledning måste du tillhandahålla en om inte metallkabel används. Fäst en koppartråd säkert till avfallsjorden skruva och fäst andra änden av tråden till ett kallvattenrör av metall. Använd endast UL godkänd markklämma. Om plaströr används i ditt hem, en behörig elektriker bör installera en ordentlig jordning.

## 5. ATT FÄSTA URLADSARMBÅGEN

A. Anslut avfallsbågen till avfallsbehållaren (se 5A), fortsatt till steg 6 och sedan anslut botten av armbågen genom att dra åt glidmuttern (se 5B).

B. Om du ansluter till en diskmaskin, gå tillbaka till avsnitt 2B. Om inte, se till att alla VVS-anslutningar är täta och i enlighet med alla VVS-koder och

förordningar. Kör vatten och kolla efter läckor.



## 6. ANSLUTNING AV AVFALLSHÅLLARE TILL MONTERINGSMONTERING

### 3-BOLT MOUNT (Se avsnitt 3 för din monteringsstyp.)

A. Pressa hårt runt Hush Cushion för att säkerställa att den är i ingrepp med halsen på kassera den.

B. Smörj insidan av gummikuddens övre kant med en flytande tvål.

C. Rikta upp utloppsången på avfallsbehållaren med fällan under monteringsenheten. Guide släng upp och fäst spåret på Hush Cushion runt åsen vid botten av diskbänkens fläns (se 6A & se tillbaka till 3B). Medan du fortfarande stöder avfallshanteraren, dra åt skruvklämman runt Hush Cushion. Avfallshanteraren kommer nu hänga av sig själv.

D. Om du behöver vända avfallsbehållaren, se till att diskbänkens fläns inte vrider sig. Det kommer det bryta tätningen som skapades när den installerades. Gå tillbaka till steg 5A och 5B.

### VIKTIGT - LÄS

Ta inte bort klämman från Hush Cushion eller Hush Cushion från behållaren. Både delar är fabriksinstallerade och installationsklara.

Smörj den övre vinklade ytan av gummi Hush Cushion med flytande tvål före koppla in avfallsbehållaren till sänkfällan. Montera Hush Cushions läpp i diskbänkens flänsspår med en lätt gungande rörelse. Dra åt klämman (se 6B).

### EZ MOUNT(Se avsnitt 3 för din monteringsstyp.)

A. Placera avfallsbehållaren under monteringsenheten. Styr trattutsprången in i monteringsring. Vrid monteringsringen ungefär 1/4' åt höger så att avfallsbehållaren är tillfälligt

stöds (se 6C).

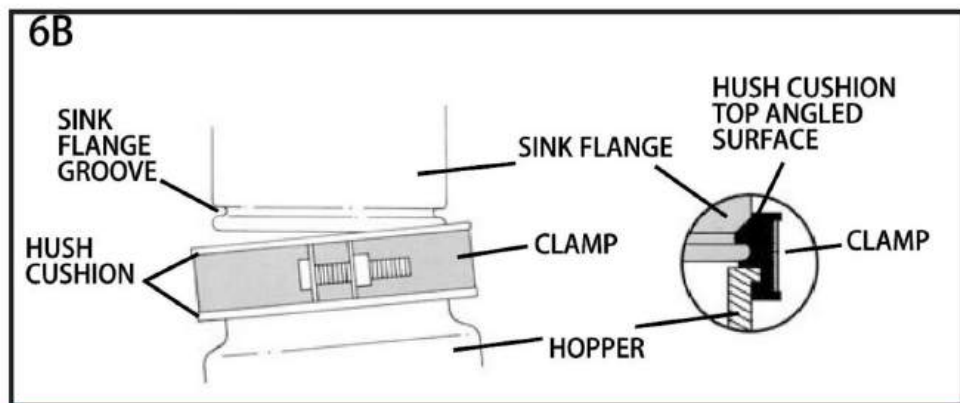
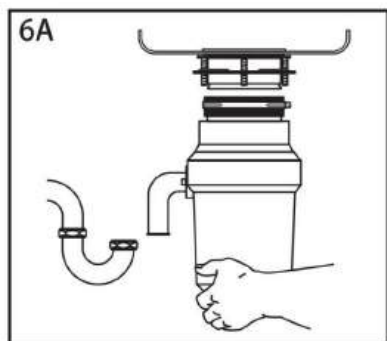
B. Vrid monteringsringen och kasseraren tills kasserarens armbåge är i linje med fällan (se 6D).

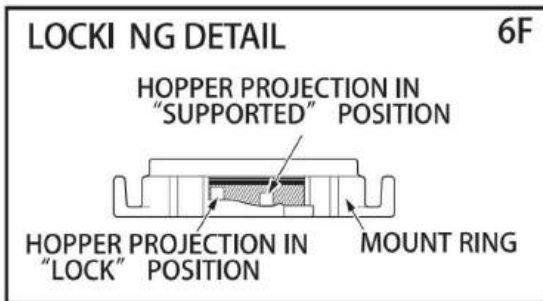
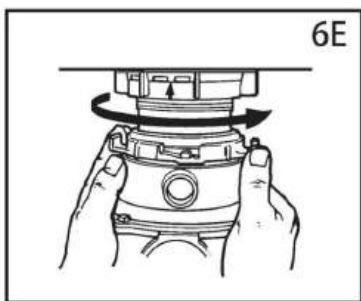
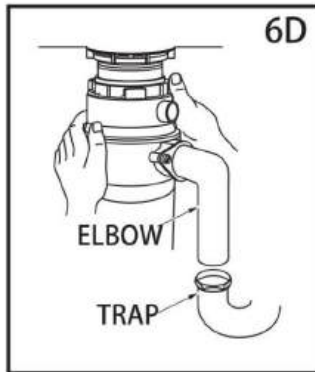
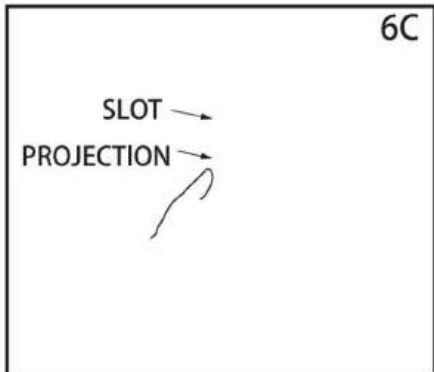
C. Vrid monteringsringen åt höger (moturs) tills den låser ordentligt. Tryck på

montera ringöron med en hammare tills låsläget uppnås. Ficka

utsprånget måste vara längst till vänster om monteringsglitsarna (se 6E).

D. Om monteringsringen är svår att vrida kan du lägga till en liten mängd vaselin eller utsprång från flytande tvål till tratt. Kör vatten och kolla efter läckor.





## 7. DRIFTSINSTRUKTIONER

Anti-Jam Swivel Impellers gör ett klickljud när de svänger på plats. Th indikerar normal drift.

A. Ta bort diskbänksstoppet. Slå på ett medium flöde av kallt vatten.

B. Vrid omkopplaren till läget PÅ; din motor går i full fart och är redo att användas.

C. Skrapa i matavfall. Nedför avloppet går bordsrester, skal, skal, frön, gropar, små ben och kaffesump. För att påskynda bortskaffandet av matavfall, skär eller bryta upp stora ben, svålar och kolvar. Stora ben och fibrösa skal kräver avsevärd malningstid och slängs lättare med annat skräp. Do oroa dig inte för att kasseraren saktar ner under malningen. Dis-posern är ökar faktiskt vridmomentet (slipeffekten) och fungerar normalt villkor.

D. Innan du stänger av sopbehållaren, låt vattnet och behållaren rinna i cirka 15 sekunder efter att fragmenteringen upphört. Detta säkerställer att allt avfall spolats noggrant

genom fälla och avlopp.

### TIPS FÖR LYCKAD ANVÄNDNING

A. Se till att sopbehållaren är tom innan du använder din diskmaskin så att den kan rinna ur ordentligt.

B. Du kanske vill lämna proppen i avloppet när den inte används för att förhindra redskap och främmande föremål från att falla in i avfallskvarnen.

C. Din kasserare är robust byggd för att ge dig många års problemfri service. Det kommer att hantera allt normalt matavfall, men det kommer INTE att mala eller slänga sådant som plast, plåtburkar, kapsyler, glas, porslin, läder, tyg, gummi, snöre, mussla och ostronskal, aluminiumfolie eller fjädrar.

### BATCH FEED DRIFTSINSTRUKTIONER

Anti-Jam-svänghjulen gör ett klickljud när de svänger på plats. Th indikerar normal drift.

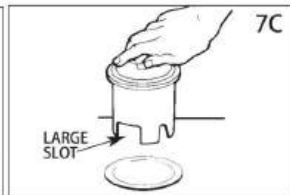
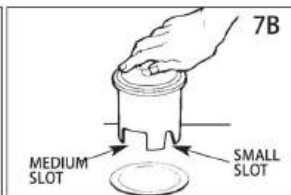
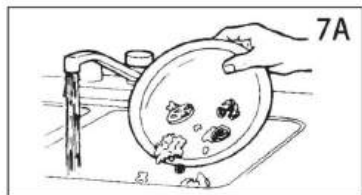
A. Ta bort diskbänksproppen och sätt på ett medelstort flöde av kallt vatten.

B. Skrapa i matavfall. Nedför avloppet går bordsrester, grönsakskal, kolvar, skal, gropar, ben och kaffesump.(se 7A)

C. Sätt i proppen för att starta kasseraren. (se 7B) En av de två små skåror i proppen basen måste vara i linje med strömbrytarens kolv inuti halsen på kasseraren. Tryck ner ordentligt för att slå på avfallsbehållaren. Lyft proppen för att stänga av avfallsbehållaren.

D. Kör avfallsbehållaren i 15 sekunder efter att rivningen har slutat. Detta säkerställer att allt avfall spolas noggrant genom avloppet.

E. För att fylla diskhon, sätt i proppen och rikta in den största skåran med strömbrytarkolven.(se 7C) Tryck ned för att tätta diskbänken utan att starta sopbehållaren. När medelstor slot (se 7B) i proppbasen är i linje med strömbrytarens kolv, vatten kan rinna ut, men porslin etc. får inte av misstag tappas i avfallskvarnen.



## 8. FELSÖKNING

Innan du söker reparation eller utbyte rekommenderar vi att du granskar följande.

**HÖGA LJUD:** (Andra än de under malning av små ben och fruktgropar):

Dessa orsakas vanligtvis av att en sked, flaskkork eller annat har kommit in av misstag

främmande föremål. För att åtgärda detta, stäng av den elektriska strömbrytaren och vattnet. Efter avfallshantering har stoppas, ta bort \*stänkskyddet, ta bort föremål med en långhandtagen tång och byt ut \*stänkskydd.

**ENHETEN STARTAR INTE:** Koppla ur nätsladden eller vrid antingen på väggkontakten eller brytaren till "OFF"-läge, beroende på din modell och kablage

konfiguration. Ta bort proppen och/eller \*stänkskyddet. Kontrollera om skivspelaren gör det rotera fritt med hjälp av ett borsthandtag av trä. Om skivspelaren roterar fritt, byt ut\*stänkskyddet och kontrollera återställningsknappen för att se om den har löst ut. Återställa knappen är röd och placerad mitt emot urladdningsarmbågen, nära botten (se 8A).

Tryck in knappen tills den klickar och förblir intryckt.

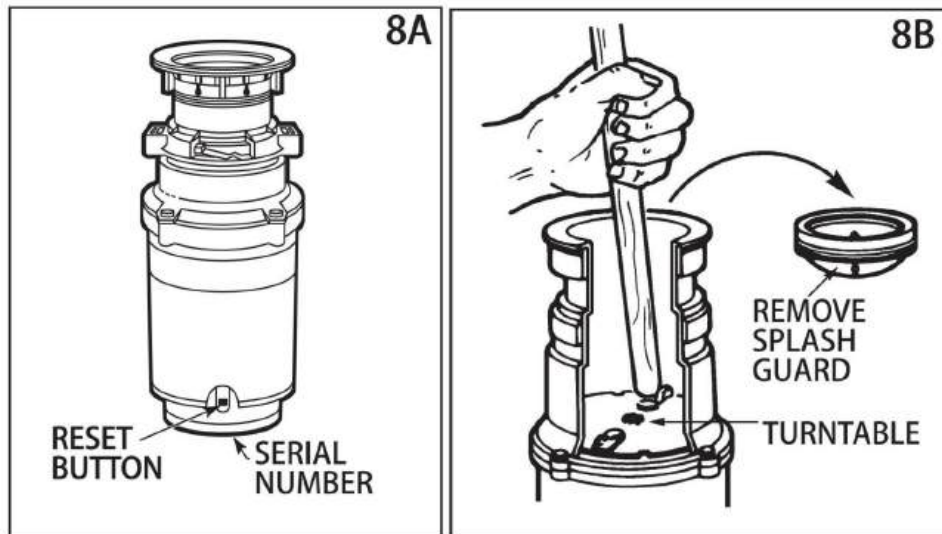
Om återställningsknappen inte har löst ut, kontrollera efter kortslutning eller trasig kabelanslutning att avyttra. Kontrollera den elektriska strömbrytaren, säkringsdosan eller strömbrytaren. Om ledningar och elektriska komponenter är intakta kan enheten ha interna problem som kräver service eller utbyte.

\* Stänkskydd används inte på Top Control/Batch Feed-enhet.

**OM DRIVBORDEN INTE ROTERAR FRITT:** Stäng av avfallsbehållaren och kontrollera sedan främmande föremål som fastnat mellan skivspelaren och slipringen. Ta bort föremål genom roterande bord med en trä kvast skaft och ta bort föremål. (se 8B) Om nej främmande föremål finns kan det finnas interna problem.

**LÄCKOR:** Om enheten läcker upptill kan det bero på:

1. Felaktig placering av diskbänkens fläns (packningscentrering, kitt eller åtdragning).
2. Stödringen är inte ordentligt åtdragen.
3. Defekt eller felaktigt installerad kuddefäste. Om enheten läcker vid utloppsången, läckage kan bero på felaktig åtdragning av armbågsfläns-skravar.



## 9. RENGÖRING OCH UNDERHÅLL

10. För att maskintorka, lägg din produkt i en familjetvättmaskin och torktumlare på låg värme under 40°C. Se till att textilen har tillräckligt med utrymme för att tumla fritt. Om filten drar in under tvättningen, sträck den försiktigt medan den fortfarande är fuktig tills den återgår till sin ursprungliga storlek.

**ATT INTE SMÖRJ DIN DI SPOSER!**

Motorn är permanent smord. Avfallskvarnen är självrengörande och genomsöker dess inre delar vid varje användning.

Håll **ALDRIG** lut eller kemiska avloppsrengöringsmedel i avfallsbehållaren, eftersom de orsakar allvarlig korrosion på metalldelar. Om den används kan resulterande skada lätt upptäckas och alla garantier är ogiltiga. Mineralavlagringar från ditt vatten kan bildas på skivspelaren i rostfritt stål, vilket ger ett utseende av rost. **BLI INTE ALARM**, de rostfria skivspelarna som används kommer inte att korrodera.

## Produktspecifikationer

Modell	Input	Betygsatt driva	Installationsläge	Motor typ
JW-301	120Vac/60Hz	1/2 hk	Torsionslås typ installation	DC motor
JW-301DCN	220-240Vac, 50Hz 1HP	1/2 hk	Torsionslås typ installation	DC motor
JWM-331	120Vac/60Hz	1/2 hk	3-bultsmonterad	DC-motor
JWM-331DCN	220-240Vac, 50Hz 1HP	1/2 hk	3-bultsmonterad	DC-motor
JWM-V50	120Vac/60Hz	3/4 hk	3-bultsmonterad	DC-motor
JWM-V50A	220-240Vac, 50Hz 1HP	3/4 hk	3-bultsmonterad	DC-motor
JW-V50	120Vac/60Hz	3/4 hk	Torsionslås typ installation	DC motor
JW-V50A	220-240Vac, 50Hz 1HP	3/4 hk	3-bultsmonterad	DC-motor
JW-731	120Vac/60Hz	1 hk	Torsionslås typ installation	DC motor
JW-731DCN	220-240Vac, 50Hz 1HP	1 hk	3-bultsmonterad	DC-motor
JWM-931	120Vac/60Hz 1,25HP		Torsionslås typ installation	DC motor
JWM-931DCN	220-240Vac, 50Hz 1HP	1,25 hk	3-bultsmonterad	DC-motor

**VEVOR<sup>®</sup>**

**TOUGH TOOLS, HALF PRICE**

**Teknisk support och e-garanticertifikat**

**[www.vevor.com/support](http://www.vevor.com/support)**