



# BOSCH BDS3210 Display Mount Instruction Manual

[Home](#) » [Bosch](#) » BOSCH BDS3210 Display Mount Instruction Manual

## Contents [ [hide](#) ]

- [1 BOSCH BDS3210 Display Mount](#)
- [2 Product Information](#)
- [3 Product Usage Instructions](#)
- [4 Safety instructions](#)
- [5 Product description and specifications](#)
- [6 Technical data](#)
- [7 Fitting](#)
- [8 Maintenance and servicing](#)
- [9 Documents / Resources](#)
  - [9.1 References](#)
- [10 Related Posts](#)



**BOSCH**

**BOSCH BDS3210 Display Mount**



## Product Information

The display mount is a component manufactured by Robert Bosch GmbH and is intended to establish the mechanical and electrical connection to a display or on-board computer. The product code and specifications for the display holder are as follows:

- Product Code: BDS3210 | BDS3250 | BDS3620 | BDS3630
- Output Voltage: 4.75 to 5.4V
- Output Current: 1.5A max
- Operating Temperature: Not specified
- Storage Temperature: Not specified
- Protection Rating: IP54

The numbering of the components shown in the manual refers to the illustrations on the graphics pages at the beginning of the manual. The display mount (1) can also be embedded in the bicycle design.

## Product Usage Instructions

**Safety Instructions:** Read all safety information and instructions before use. Failure to observe safety information and follow instructions may result in electric shock, fire, and/or serious injury. Save all safety warnings and instructions for future reference.

**Intended Use:** The display holder is intended to establish the mechanical and electrical connection to a display or on-board computer. Only original Bosch eBike components can be connected to the display holder. A display holder is not required for an eBike system to function.

## Fitting:

- Installation Positions (see figure A)
  - Note: Please be aware that there are two different handlebar diameters (31.8 mm and 35 mm). Your bicycle retailer will help you to select the correct components.
- Mounting the Display Mount (see figure B)
  - Insert the display mount (1) into the adapter tray (2). Ensure that it is in the required installation position.
  - Secure the display mount (1) from below using the screws (11). When doing so, be aware of the torque specified on the adapter tray (2).
  - Connect the connection cables that come out of the drive unit and the control unit. It does not matter which cable is connected to which connection for the functions to work.
  - When connecting the cables, ensure that the markings on the connector and on the cable match.

## Safety instructions

Read all the safety information and instructions. Failure to observe the safety information and follow instructions may result in electric shock, fire and/or serious injury.

Save all safety warnings and instructions for future reference.

- The contact surfaces of the display holder may become very hot (> 60 °C). Allow the contact surfaces to adjust to the ambient temperature before you touch them. This is particularly important when using a SmartphoneGrip.
- Keep swallowable small parts away from small children. There is a risk of serious injury.
- Never short-circuit the pins. The display holder may be irreparably damaged and must then be replaced.
- Ensure that the contacts are free of dirt. By doing this, you prevent malfunctions or damage.
- After a fall, check the display holder for sharp edges. Replace it if required.
- Do not stand your bicycle upside down on its saddle and handlebars if the on-board computer or its holder protrude from the handlebars. This may irreparably damage the on-board computer or the holder. Also remove the on-board computer before placing the bicycle on a wall mount to ensure that the on-board computer does not fall off or become damaged.
- Observe all national regulations which set out the approved use of eBikes.
- Read and observe the safety warnings and directions contained in all the eBike system operating instructions and in the operating instructions of your eBike.

## Product description and specifications

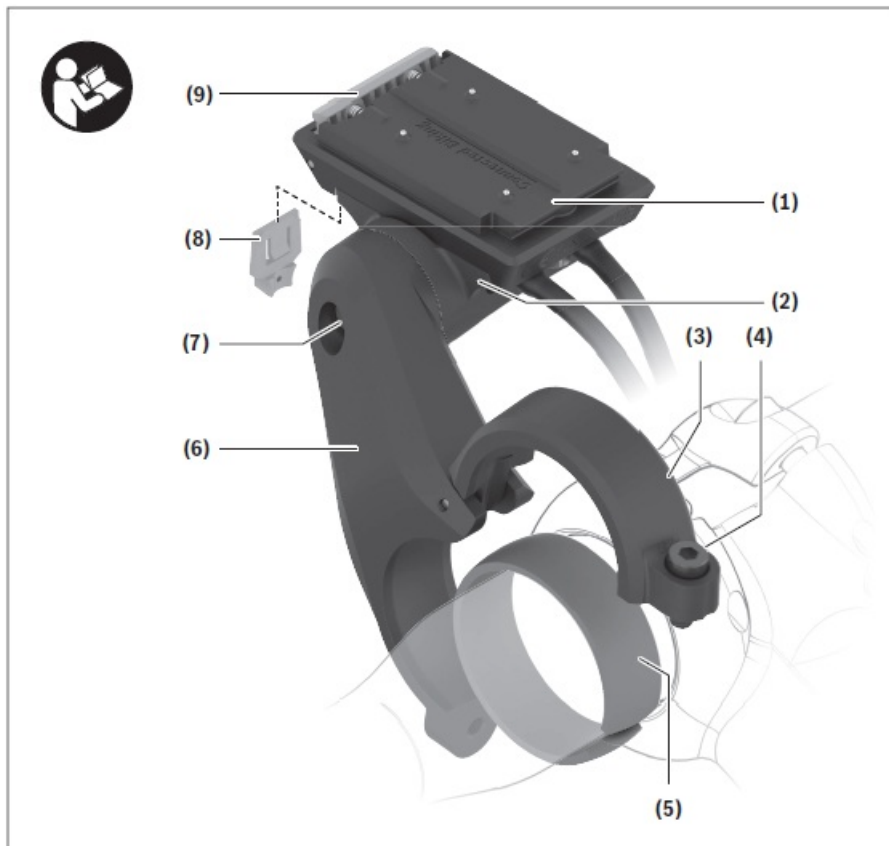
### Intended use

The display holder is intended to establish the mechanical and electrical connection to a display or on-board computer. Only original Bosch eBike components can be connected to the display holder.

A display holder is not required for an eBike system to function.

### Product features

The numbering of the components shown refers to the illustrations on the graphics pages at the beginning of the manual.



1. Display mount
2. Adapter tray
3. Clamp for holder
4. Clamp screw
5. Round rubber spacer
6. 1-arm socket
7. Screw for adjusting tilt
8. Removal blocker
9. Snap-in hook
10. Connection cables
11. Fastening screws for display mount

The display mount (1) can also be embedded in the bicycle design.

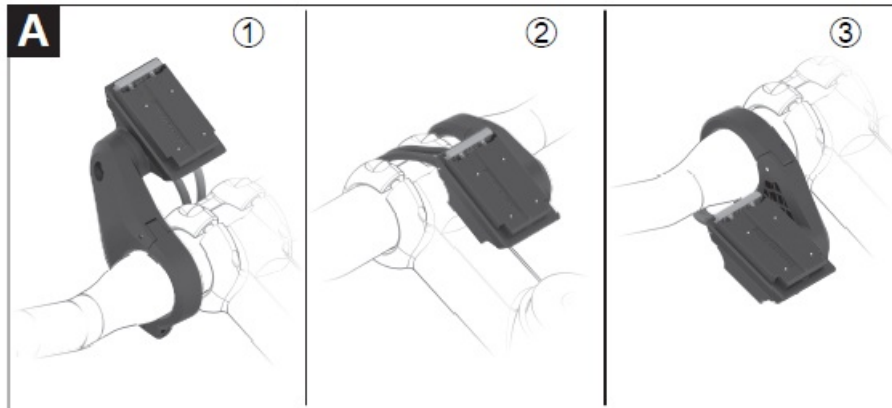
### Technical data

Display holder		
Product code		BDS3210 BDS3250 BDS3620 BDS3630
Output voltage	V	4.75 to 5.4
Output current, max.	A	1.5
Operating temperature	°C	-5 to +40
Storage temperature	°C	+10 to +40
Protection rating		IP54

## Fitting

### Installation positions (see figure A)

The 1-arm socket can be mounted at three different positions on the handlebars:



- In front of the handlebars ①
- Over the stem ②
- In the triangle between the stem and handlebar ③ Note: In order to ensure clean cable routing, the appropriate display mount must be used for each of the three different positions: The BDS3210 display mount for in front of the handlebars (electrical connections at the rear); the BDS3250 display mount for over the stem or in the triangle between the stem and handlebar (electrical connections at the front).

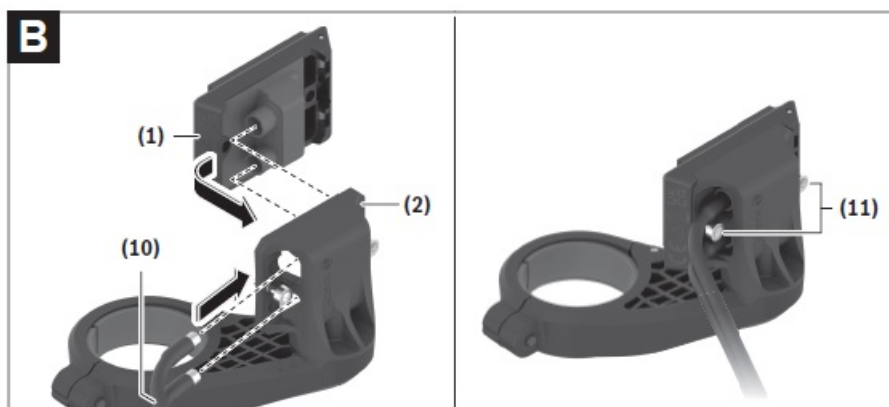
If you want to change the installation position and you have the correct display mount (1), you must first remove the 1-arm socket (6) and re-mount it afterwards.

**Note:** Please be aware that there are two different handlebar diameters (31.8 mm and 35 mm). Your bicycle retailer will help you to select the correct components.

### Mounting the display mount (see figure B)

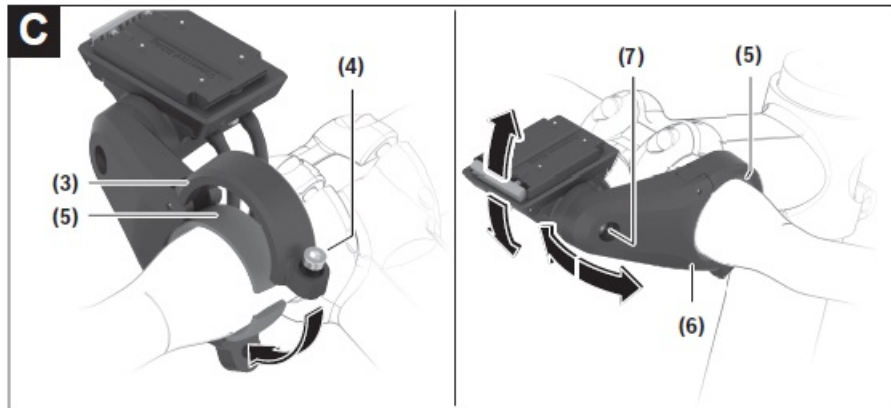
Insert the display mount (1) into the adapter tray (2). En-sure that it is in the required installation position. Secure the display mount (1) from below using the screws (11). When doing so, be aware of the torque specified on the adapter tray (2).

Connect the connection cables that come out of the drive unit and the control unit. It does not matter which cable is connected to which connection for the functions to work. When connecting the cables, ensure that the markings on the connector and on the cable match.



### Securing on the handlebars (see figure C)

**Note:** The display holder must only be secured in the cylindrical area of the handlebars and not in the tapered area. To clamp a display in the centre, the handlebars must have a cylindrical area of at least 90 mm in width. Open the clamp and bring the 1-arm socket (6), together with the round rubber spacer (5), into the required position. Gently tighten the clamp screw (4) so that the 1-arm socket (6) can still move.



Adjust the tilt for the display mount by loosening and tight-ening the screw (7). Preferably adjust the tilt without the display or on-board computer.

In the connection between the 1-arm socket (6) and the ad-apter tray, there are interlocking teeth, which means that it is only possible to align the adapter tray in predefined posi-tions. Before tightening the screw (7), make sure that the teeth engage in one another correctly. In addition, be aware of the torque specified on the 1-arm socket (6).

Bring the 1-arm socket (6) into its final position and tighten the clamp screw (4). Be aware of the torque specified on the 1-arm socket (6) here too.

Thanks to the round rubber spacer (5), it is possible to move the 1-arm socket (6) in all directions.

### Removal blocker

A device attached to the display holder can be secured using the removal blocker (8). Usage is described in the operating instructions for the respective device.

## Maintenance and servicing

### Maintenance and cleaning

The display holder must not be cleaned with pressurised water.

Use a soft cloth dampened only with water for cleaning. Do not use cleaning products of any kind.

- Have all repairs performed only by an authorised bike dealer.

### After-sales service and advice on using products

If you have any questions about the eBike system and its components, contact an authorised bicycle dealer.

For contact details of authorised bike dealerships, please visit [www.bosch-ebike.com](http://www.bosch-ebike.com).

### Disposal

The drive unit, on-board computer incl. operating unit, battery, speed sensor, accessories and packaging should be disposed of in an en-vironmentally correct manner. Do not dispose of eBikes and their components with house-hold waste.

In accordance with Directive 2012/19/EU and Directive 2006/66/EC respectively, elec-tronic devices that are no longer usable and de-fective/drained batteries must be collected separately and recycled in an environmentally friendly manner.

Please return Bosch eBike components that are no longer usable to an authorised bicycle dealer.

Subject to change without notice.

## Documents / Resources



[BOSCH BDS3210 Display Mount](#) [pdf] Instruction Manual  
BDS3210 Display Mount, BDS3210, Display Mount, Mount

## References

- [Bosch eBike Systems | Premium drives for eBikes](#)