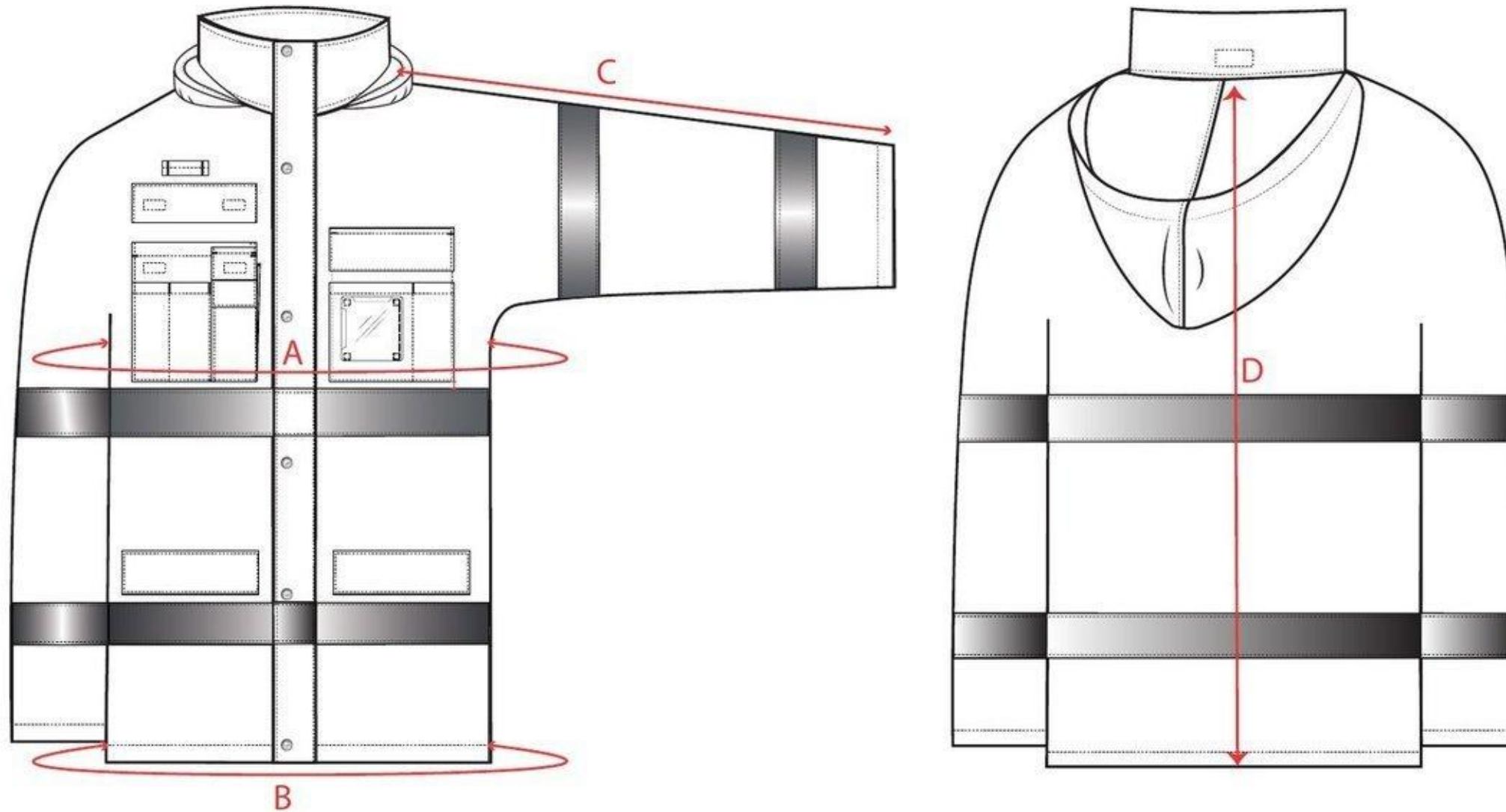


STYLE NO: S162

DESCRIPTION: Hi-Vis Lite 3 in 1 Jacket

OUTER GARMENT



| | | Outer Jacket Measurements | | | | | | | | |
|--------------------|---|---------------------------|---------|---------|---------|---------|---------|---------|---------|-----|
| | | S | M | L | XL | XXL | 3XL | 4XL | 5XL | TOL |
| To Fit Chest | | 92-96 | 100-104 | 108-112 | 116-124 | 128-132 | 136-140 | 144-148 | 152-160 | |
| Jacket Chest | A | 110 | 118 | 126 | 134 | 142 | 150 | 158 | 166 | 1.5 |
| Hem | B | 110 | 118 | 126 | 134 | 142 | 150 | 158 | 166 | 1.5 |
| Collar to Cuff | C | 81 | 82 | 83 | 84 | 85 | 86 | 87 | 88 | 1 |
| Centre Back to Hem | D | 82 | 83 | 84 | 85 | 86 | 87 | 88 | 89 | 1 |