

# VEVOR<sup>®</sup>

**TOUGH TOOLS, HALF PRICE**

Technical Support and E-Warranty Certificate [www.vevor.com/support](http://www.vevor.com/support)

## SAUNA HEATER

**MODEL:SCA-80BS/SCA-80NS**

We continue to be committed to provide you tools with competitive price. "Save Half", "Half Price" or any other similar expressions used by us only represents an estimate of savings you might benefit from buying certain tools with us compared to the major top brands and does not necessarily mean to cover all categories of tools offered by us. You are kindly reminded to verify carefully when you are placing an order with us if you are actually Saving Half in comparison with the top major brands.

**VEVOR Support Center**



**SCA-80BS**



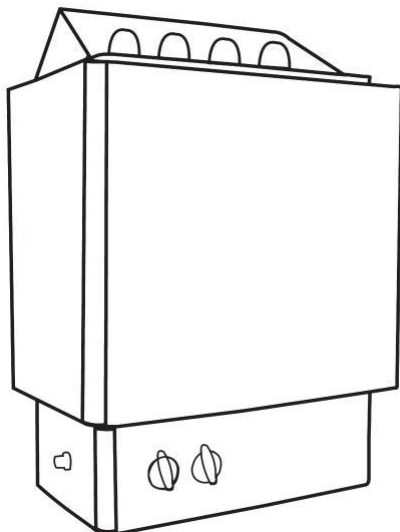
**SCA-80NS**

# VEVOR®

TOUGH TOOLS, HALF PRICE

## SAUNA HEATER

**Model:SCA-80BS/SCA-80NS**



**NEED HELP? CONTACT US!**

Have product questions? Need technical support? Please feel free to contact us:






**Technical Support and E-Warranty Certificate**  
**[www.vevor.com/support](http://www.vevor.com/support)**

This is the original instruction, please read all manual instructions carefully before operating. VEVOR reserves a clear interpretation of our user manual. The appearance of the product shall be subject to the product you received. Please forgive us that we won't inform you again if there are any technology or software updates on our product.

# SAFETY INSTRUCTIONS

1. Electrical shock hazard-----To avoid electrical shock hazard, all installations and relevant services shall be performed by qualified personnel.
2. Sauna bath time should be less than half an hour. Bathing too long may cause heart beating too fast, heartache, feeling weak or dizzy. User should stop sauna bath immediately as soon as the above symptoms occur.
3. Sauna bath may cause tension of bathers. Thus, those who have one of the symptoms as below, should take sauna bath under direction by Physician:
  - A. Being pregnant.
  - B. Having heart disease.
  - C. Having high blood pressure.
  - D. Having circulation system disease.
  - E. After drinking.
  - F. After taking medicine.
  - G. Diabetes.
  - H. Not feeling well.
4. Children must be under the company of adult during sauna bath.
5. Risk of scald: Must not touch or move the sauna heater during heating. Stay at least 30cm away from the hot heater.
6. Use ordinary drinking water only;It may damage the heating elements when water with other materials is poured into the stone compartment, which is beyond our guarantee.Do not use any chemically treated water (such as spa or pool water) on the heater any time.  
Water no more than 100ml is suggested for each pouring after sauna stones are heated.
7. Odors may occur during the first sauna bath as the Anti-rust oil for heating elements, which will disappear after sauna heater powers on when opening sauna door about 10-15mins.

## Symbol Description

Symbol	Symbol Description
	Warning-To reduce the risk of injury, the user must read the instructions manual carefully.
	Alternating current
	This symbol, placed before a safety comment, indicates a kind of precaution, warning, or danger. Ignoring this warning may lead to an accident. To reduce the risk of injury, fire, or electrocution, please always follow the recommendations shown below.
	<b>Danger!</b> Risk of personal injury or environmental damage! Risk of electric shock! Risk of personal injury by electric shock!
	This product is subject to the provision of European Directive 2012/ 19/EC. The symbol showing a wheeled bin crossed through indicates that the product requires separate refuse collection in the European Union. This applies to the product and all accessories marked with this symbol. Products marked as such may not be discarded with normal domestic waste, but must be taken to a collection point for recycling electrical and electronic devices.

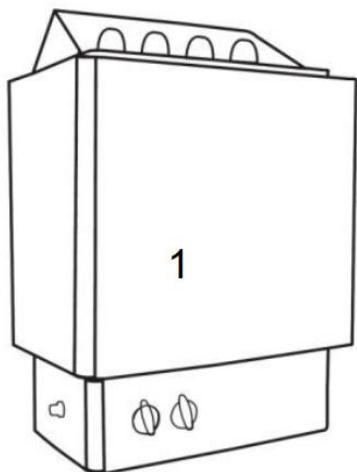
## PARAMETER LIST

Model	SCA-80BS	SCA-80NS	SCA-90BS
Voltage	400V 3N~ 50/60Hz	400V 3N~ 50/60Hz	400V 3N~ 50/60Hz
Power	8kW	8kW	9kW
Temperature Range	35-110°C	35-110°C	35-110°C
Applicable Space	282.5-423.7ft <sup>3</sup>	282.5-423.7ft <sup>3</sup>	317.8-459ft <sup>3</sup>

**Note:** The model SCA-80BS shell and liner material is SUS430;The model SCA-80NS shell and inner liner are made of aluminum-coated zinc 51D+AZ;The other parameters of the two models are consistent;

## PARTS LIST

ITEM	DESCRIPTION	QTY
1	Sauna heater	1
2	M6*40mm Bracket screws	2
	M6* 16mm Bracket screws	2
3	Fork terminal	5
4	Instruction poster about wiring and sauna stone placing	1
5	Product manual	1



## INSTALLATION INSTRUCTIONS

### VENTILATION

To have a smoothing sauna bath, there should be a proper mixing of hot and cold air inside the sauna room. Another reason for ventilation is to

draw air around the sauna heater and move the heat to farthest part of sauna room.

The inlet vent with diameter more than 6cm should be installed directly below the sauna heater.

The outlet vent should be installed diagonally opposite to the inlet, its suggested to place under the platform inside the sauna room as far as possible from the inlet vent. The diameter of outlet vent should be twice as big as the inlet, it may be installed far away the floor and under the bottom of the upper bench.

## **INSTALLATION**

Install the sauna heater onto the wall using the screws provided with the heater, according to the minimum safety distances and volumes indicated in table 1 and figure 1, or on the tech-plate of the heater.

-----The heater can be installed inside the sauna room with the minimum height of 1900mm. (Figure 1C)

-----The wall behind the heater is not allowed to be covered by materials like asbestos cement, asbestos board and so on, because this sort of covering layer could cause high temperature and a risk of burn.

-----Must use qualified materials for the walls and ceiling.

Noted: the upper screws must be fastened tight, the minimum distances between screw head and wall is 3mm.

## **GUARD RAIL**

Please follow the minimum distances requirements in figure 6 if guardrail is desired for the heater.

## **CONNECTION OF ELECTRICITY SUPPLY CABLE**

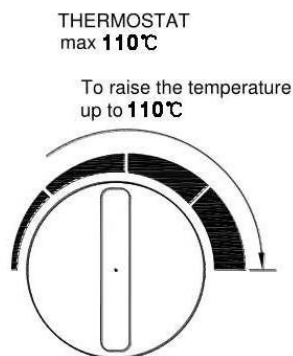
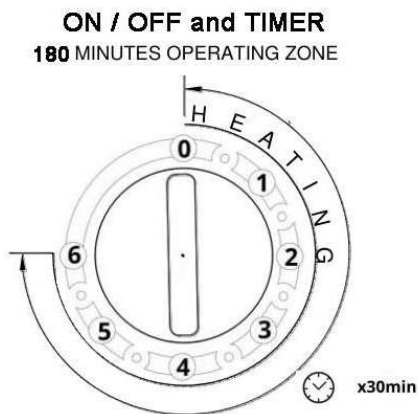
Only the qualified electrician can finish the connection of the heater's cables. You must obey electrical codes to finish the installation. Rubber insulated cables are suggested as the connection cables from mains supply to the sauna heater.

The junction box inside sauna heater must be of a hermetic, splashing

proof type, also including a 7mm diameter drainage hole to prevent moisture and condensation. The junction box should be less than 500mm over the floor.

## TEMPERATURE CONTROL

The temperature could be controlled by the thermostat inside the sauna heater (figure 3). The thermostat dial shows a rising heat scale. Find the sauna temperature which suits you best(Usually 158-176°F /70-80°C). Sauna room can reach on a preset temperature in 30 to 60 minutes, it depends on the size of sauna room and power of sauna heater.



## POWER SWITCH

The power switch should be turned off when leaving the sauna room, as it is the main power control of sauna room.

To set the time for immediate start: Turn the timer knob full clock-wise, the length of sauna is set for 180 minutes.

Model	Power (kW)	Sauna room Volume(m <sup>3</sup> )		Suggestion heating time
		Min	Max	(28-70°C)
SCA-30	3	2	4	20-40min

SCA-45	4.5	3	6	20-40min
SCA-60	6	5	9	30-50min
SCA-80	8	8	12	30-50min
SCA-90	9	9	13	30-50min

**Above suggested heating time should be achieved, including but not limited to these:**

1. Room thermometer installed opposite to the sauna heater, closing to the ceiling.
2. Sauna room is installed indoor with insulation for diffusion prevention purpose.
3. Temp knob adjust to the Max.

## **SAUNA ROCKS**

It's recommended that all sauna stones should be rinsed to remove any stains or dust. The largest ones should be loaded at the bottom. Do not load the stones too tight to block air circulation through the sauna heater. New ones should be loaded when the stones get broken or crumbling. Load sufficient sauna rocks(10-15kg) into the sauna heater after finishing the installation of sauna heater and controller.

## **ATTENTION:**

Sauna rocks must be of best quality because temperature inside sauna heater is extremely high. Rocks of inferior quality can't withstand heat and they may be easily broken or crumbling because of the huge heat changing, which may damage heating elements. Or these stones may counteract the heat circulation because they are easily oxidized, then sauna heater maybe damaged while stone being heated or being poured water to make vapors.

### ***Time to pour water on sauna stone:***

The time is right for throwing the water on sauna stones when the stones are hot enough for complete vaporization of the water, about 1 hour after powering on the sauna heater with sauna stones.

Start Small -- Pour only a small amount of water—about half a cup(About 50-80ml)—onto the rocks atop your electric heater.

Adjust Accordingly -- Gradually increase or decrease the amount poured based on your comfort levels.

Avoid Overdoing it -- If you notice that water runs out from the bottom of the heater, it means you have poured too much water or that the stones are not hot enough, potentially damaging the unit or creating a safety hazard.

## **GUARANTEE**

1.Control panel is under one year guarantee.

2. Main body of sauna heater is under one year guarantee.

3.The following situation are not guaranteed:

1) Installation or disassembly of inside structure by unprofessional personnel;

2) Supply voltage fluctuation range $>\pm 10\%$ ;

3) Unqualified rocks on sauna heater's operation;

4) Installation without following the dimension instruction inside manual.

## **TROUBLESHOOTING**

<b>Symptom</b>	<b>Possible cause</b>	<b>Remedy</b>
Low Heat	Thermostat is not set high enough. Timer length is less than 180 minutes.	Raise the thermostat setting. Raise the time setting to full 180 minutes.
No Heat	Internal temperature safety switch activated. For more details, see the temperature limit reposition of figure 3.	Reset the temperature safety switch. There is a black button on the left side of heater which can be pressed in. Try to determine the cause of safety switch activation.

Figure 1A

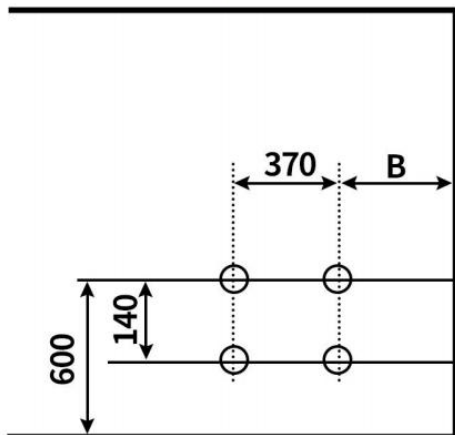


Figure 1B

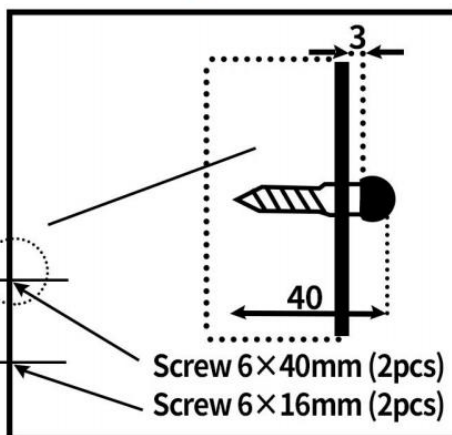


Figure 1C

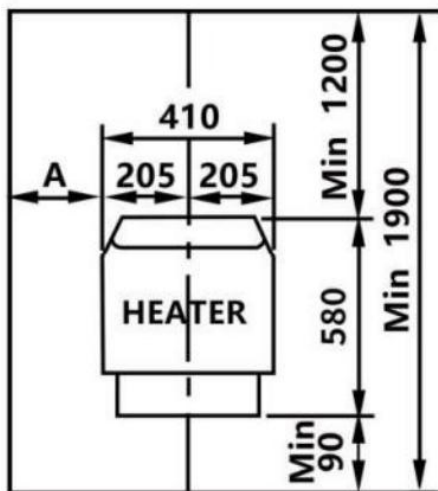


Figure 1D

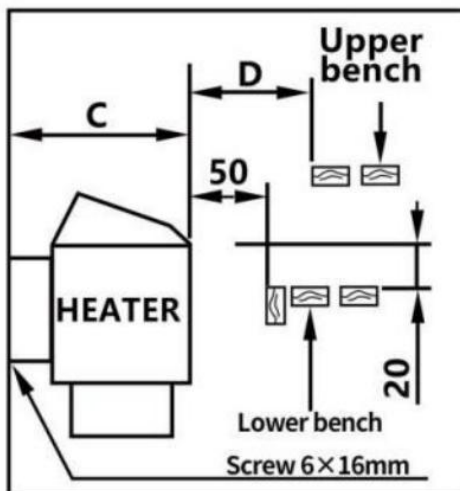


Figure 3

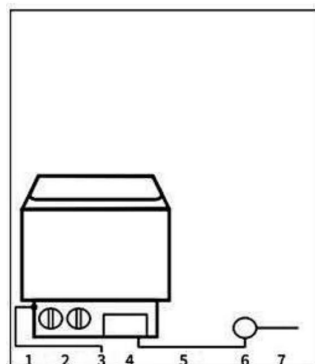


Table 1

HEATER	Distance (mm)		
	A	C	D
SCA-30	50	280	80
SCA-45	80	280	100
SCA-60	100	280	150
SCA-80	130	300	200
SCA-90	130	300	200

1. Power switch
2. Thermostat
3. Temperature limit reposition (130°C)
4. Junction box
5. Electricity supply cable
6. Electricity connection box
7. Connecting cable

Figure 4

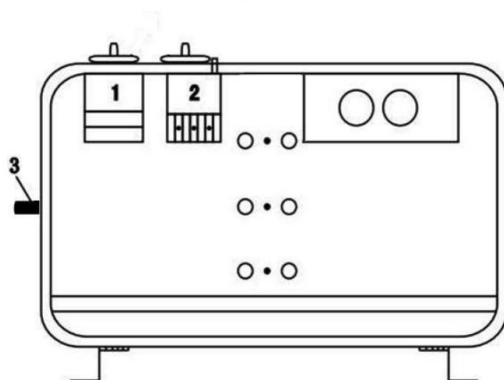


Figure 5

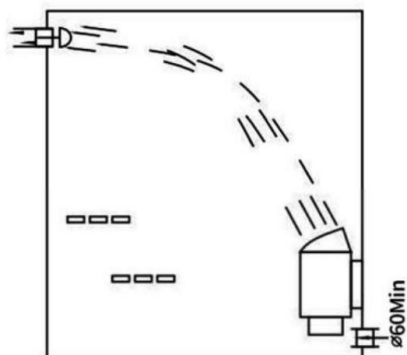
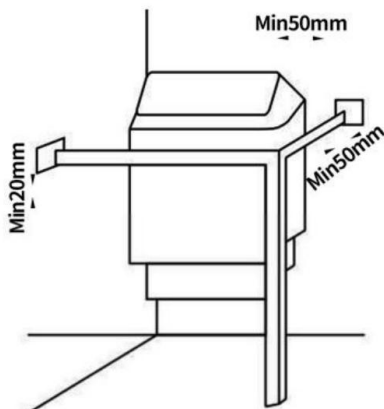


Figure 6

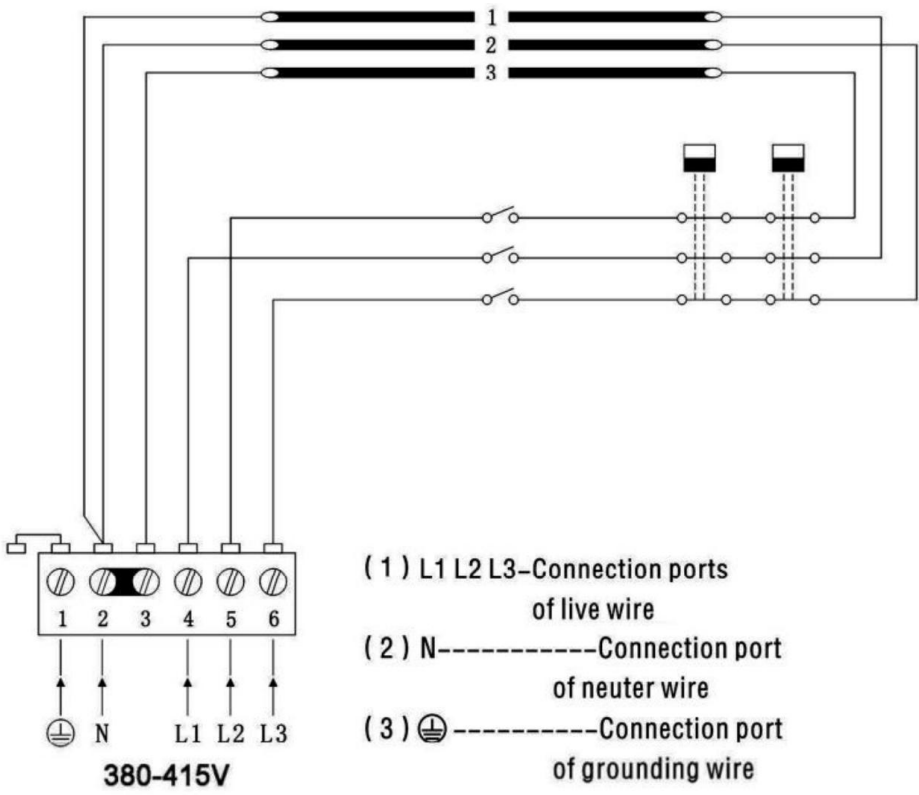


**Table 2**

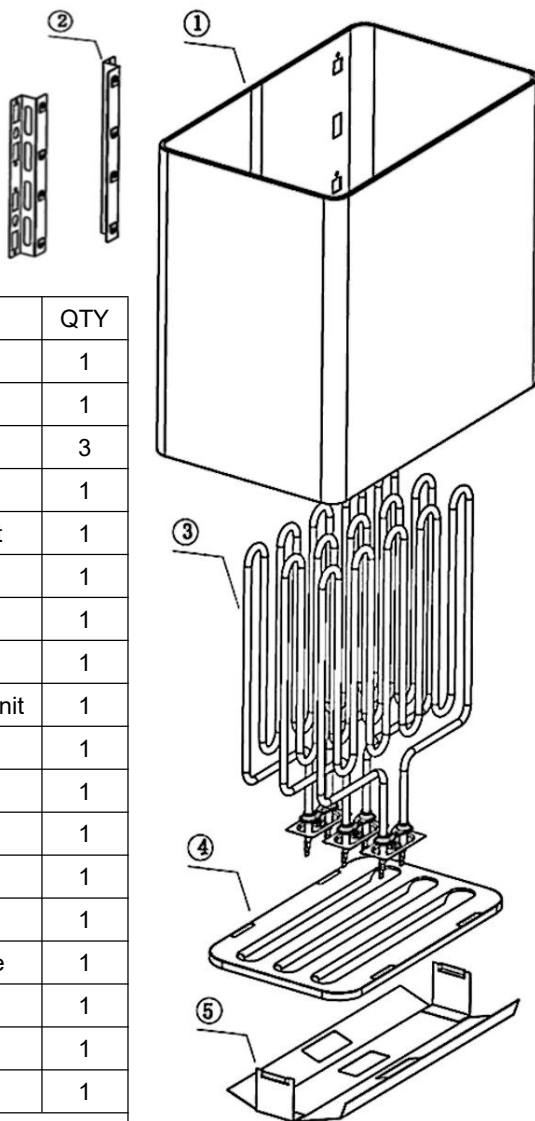
<b>Model</b>		<b>SCA-3 0W</b>	<b>SCA4 5W</b>	<b>SCA-6 0W</b>	<b>SCA8 0W</b>	<b>SCA9 0W</b>	
Power	KW	3.0	4.5	6	8.0	9.0	
Sauna room	Volume (m <sup>3</sup> )	Min	2	3	5	8	9
		Max	4	6	9	12	13
	Height min.(cm)	190	190	190	190	190	
Minimu m distanc e from heater to	side & back wall min.(cm)	5	8	10	13	13	
	If 500mm over From floor guard rail min.(cm)	5	8	15	20	20	
	Ceiling min.(cm)	110	110	110	110	110	
	Floor Min.(cm)	18	18	18	18	18	
Cables to	400V (mm <sup>2</sup> )	1.5	1.5	1.5	2.5	2.5	
Fuse (A)		6	9	12	16	18	

<b>Power(kW)</b>	<b>Heating Elements 230V</b>				
	SEPC 62 1000W	SEPC 63 1500W	SEPC 64 2000W	SEPC 65 2670W	SEPC 63B 3000W
3.0	1,2,3				
4.5		1,2,3			
6.0			1,2,3		
7.0				1,2,3	
8.0					1,2,3

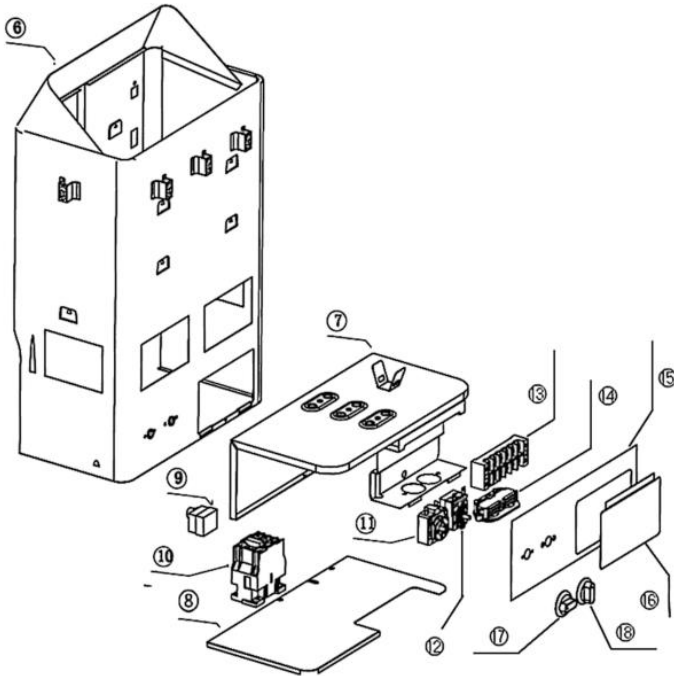
**Figure 7**



## Product breakdown diagram



Item	Name	QTY
1	Body cover	1
2	Wall mounting rack	1
3	Heating element	3
4	SCA stone holder	1
5	SCA mid reflection sheet	1
6	Body	1
7	Heating element holder	1
8	Bottom cover	1
9	High temperature limited unit	1
10	AC Contactor	1
11	Timer	1
12	Thermostat	1
13	Connector	1
14	Cable clamp	1
15	Timer & thermostat plate	1
16	Technical board	1
17	Tine knob	1
18	Temperature knob	1
SCA-90BS Heating element		
3	3kW Heating element	2
3.1	2760W Heating element	1



**Manufacturer:** Shanghaimuxinmuyeyouxiangongsi

**Address:** Shuangchenglu 803nong11hao1602A-1609shi, baoshanqu, shanghai 200000 CN.

**Imported to AUS:** SIHAO PTY LTD. 1 ROKEVA STREETEASTWOOD NSW 2122 Australia

**Imported to USA:** Sanven Technology Ltd. Suite 250, 9166 Anaheim Place, Rancho Cucamonga, CA 91730

<b>UK</b>	<b>REP</b>
-----------	------------

YH CONSULTING LIMITED. C/O YH Consulting Limited Office 147, Centurion House, London Road, Staines-upon-Thames, Surrey, TW18 4AX

<b>EC</b>	<b>REP</b>
-----------	------------

E-CrossStu GmbH  
Mainzer Landstr.69,  
60329 Frankfurt am Main.

**VEVOR**®

**TOUGH TOOLS, HALF PRICE**

**Technical Support and E-Warranty Certificate**

**[www.vevor.com/support](http://www.vevor.com/support)**