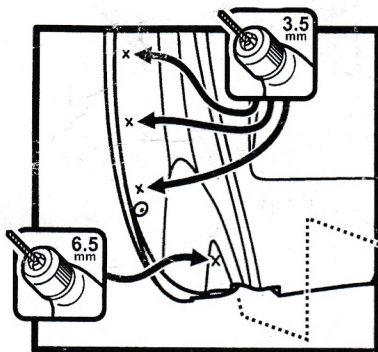


# Mudflaps rear FIAT Linea 2007

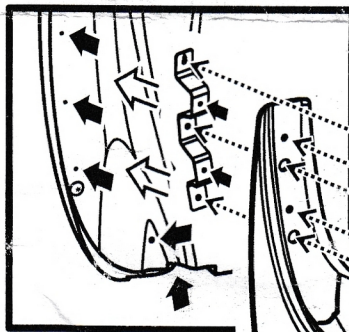
## Preparation



1x  - Original screw




## Installation



1x  - Plastic rivet  $\varnothing 6.5\text{mm}$

5x  - Screw

1x  - Original screw

Art.: EXP.NLF.15.19.E10

Set package

Mudflap - 2 pcs.  
Bracket - 2 pcs.

Screw  $\varnothing 4.7 \times 14$  - 10 pcs.  
Plastic rivet  $\varnothing 6.5 \times 18$  - 2 pcs.