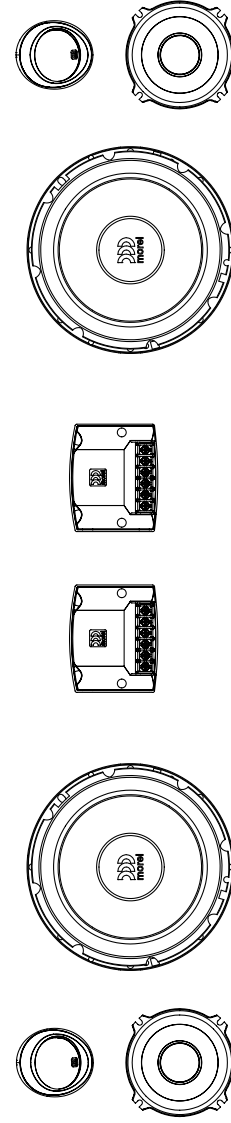




www.morehifi.com

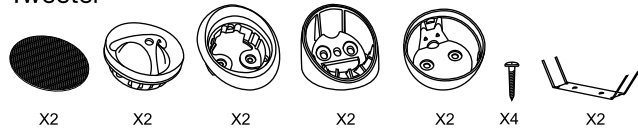


maximo ultra **MkII**
Car Audio Component Speaker System

502/602/603/603A

Content

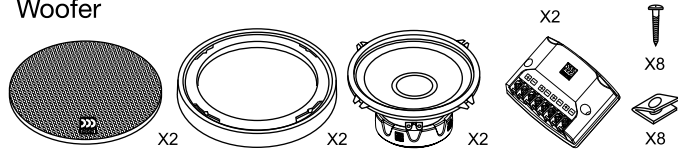
Tweeter



Mid-range



Woofer

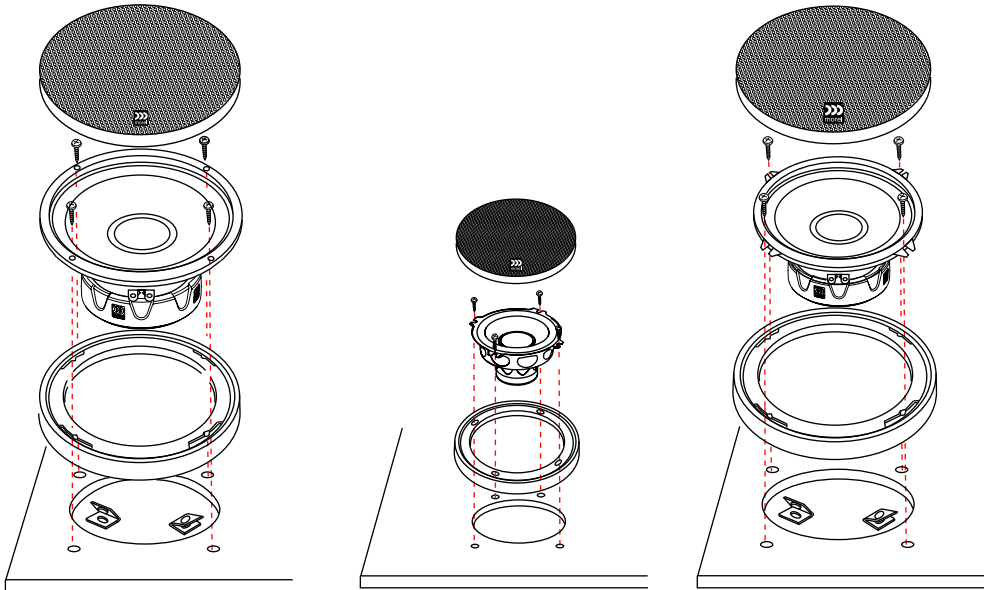


Woofer and Mid Mounting

6½"

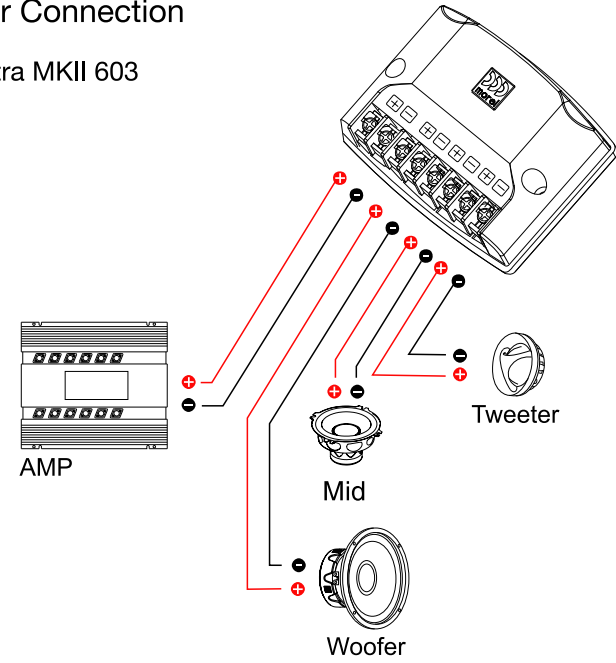
2½"

5¼"

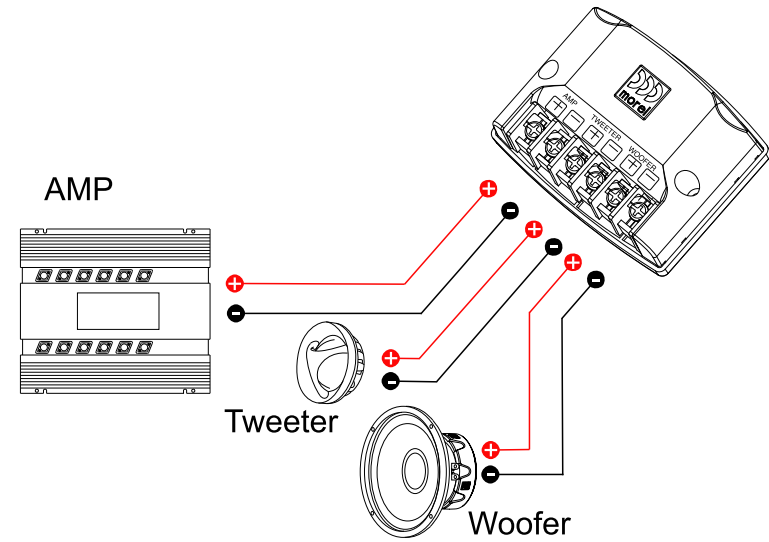


Crossover Connection

Maximo Ultra MKII 603



Maximo Ultra MKII 502 / 602



Maximo Ultra MKII 603A

Active Configuration Guide

The Maximo Ultra MKII 603A is an “active” component speaker set requiring the use of electronic crossover and six channels of amplification. The crossover can be a stand-alone electronic type or integrated in an aftermarket radio, amplifier, or a DSP (digital sound processor). Setting up the Maximo Ultra MKII603A system may vary based on the crossover’s features, vehicle cabin acoustics, and the mounting location of the individual speakers. The following guidelines should be used to assure each speaker in the system performs to the highest level while functioning in a safe operating range.

Below is the Recommended Crossover Guide. The guide contains both recommendations for Optimal Crossover Points to be used as a starting point for the crossover settings. Additionally there is a Recommended Crossover Range for each speaker that you can reference to safely dial in your system. Please note that Morel recommends using no less than a 12dB per octave filter on all crossover selections, however a steeper filter slope (18dB or 24dB) may be used as needed.

Recommended Crossover Guide

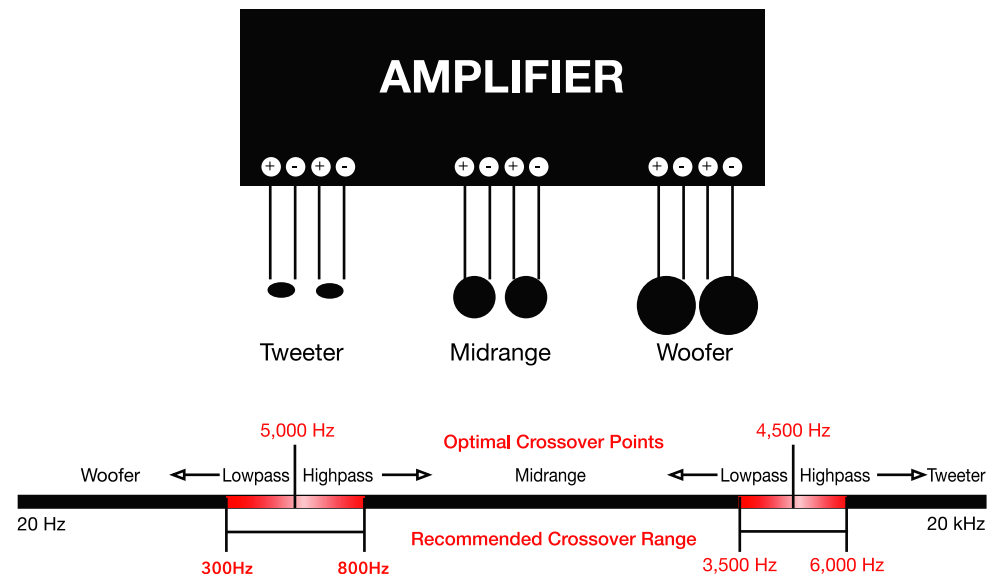
Optimal Crossover Points

- Tweeter high-pass filter 4,500Hz @ 12dB
- Midrange low-pass filter 4,500Hz @ 12dB
- Midrange high-pass filter 500Hz @ 12dB
- Woofer low-pass 500Hz @ 12dB

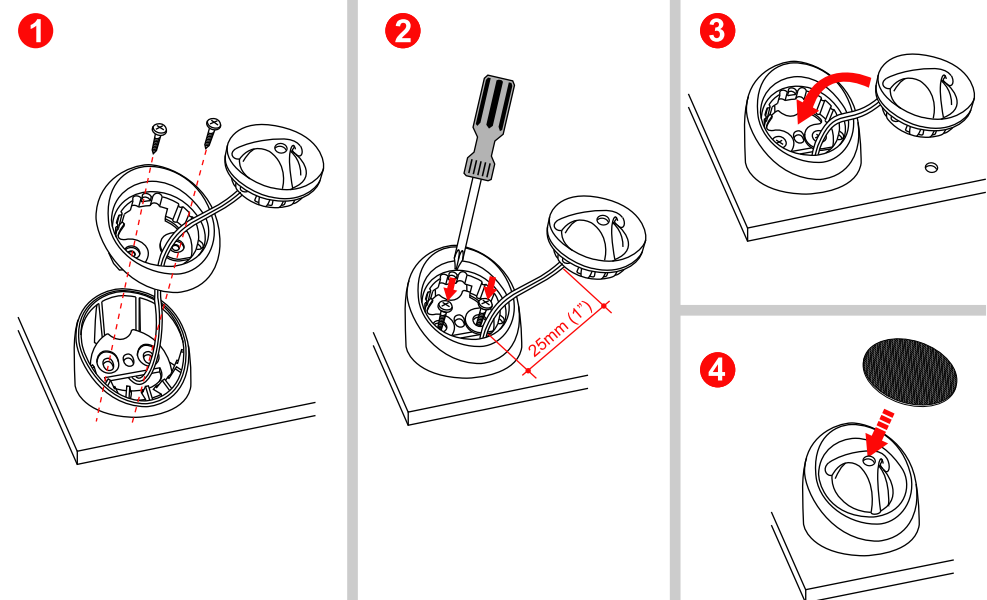
Recommended Crossover Range

- Tweeter high-pass filter 3,500-6,000Hz @ 12dB
- Midrange low-pass filter 3,500-6,000Hz @ 12dB
- Midrange high-pass filter 300-800Hz @ 12dB
- Woofer low-pass 300-800Hz @ 12dB

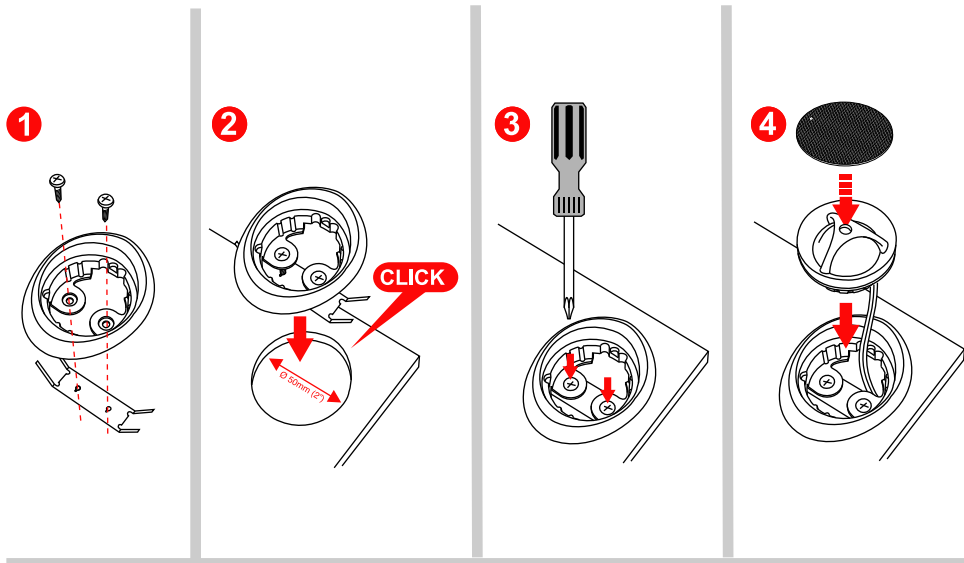
Wiring



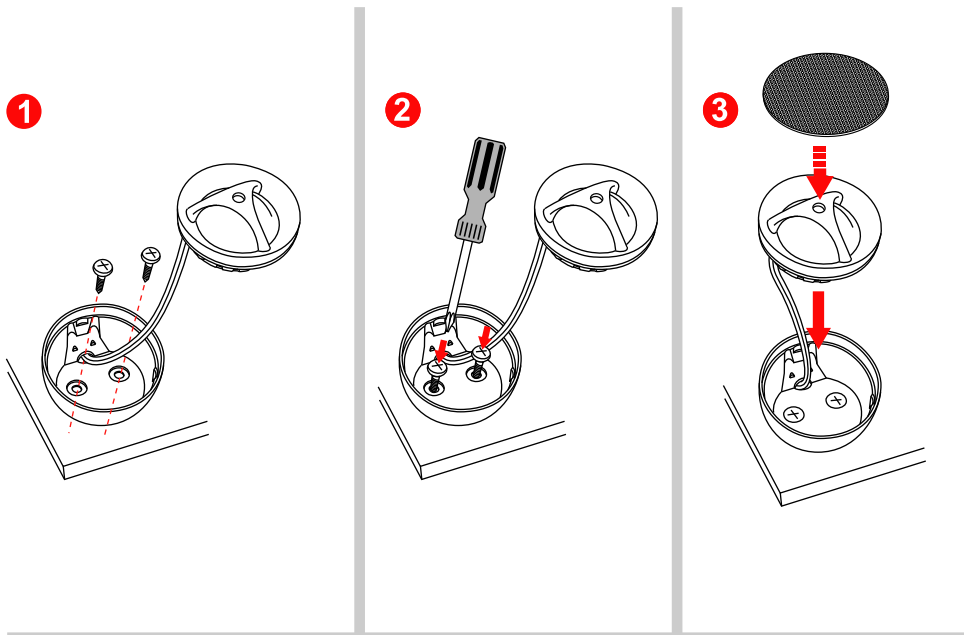
Surface mounting



Flush mounting for 50mm (1.96") cutout - Option 1



Flush mounting - Option 2



Specifications

Maximo Ultra MII 603/603A

Nominal Impedance		4 ohm
Power Handling		100W
Max. Transient Power Handling		180W
Sensitivity (2.83V/1M)		90.5 dB
Frequency Response		50-20,000 Hz
Voice Coil Diameter	Woofer: Tweeter: Mid:	25mm (1") 25mm (1") 20mm (0.8")
Voice Coil Wire		Copper
Magnet System	Woofer: Tweeter: Mid:	High grade ferrite magnet Neodymium Double Neodymium magnet
Mounting Depth	Woofer: Tweeter: Mid:	60mm (2.4") 20mm (0.8") 35mm (1.4")

	Maximo Ultra MII 502	Maximo Ultra MII 602
Nominal Impedance	4 ohm	4 ohm
Power Handling	90W	100W
Max. Transient Power Handling	160W	180W
Sensitivity (2.83V/1M)	89 dB	90.5 dB
Frequency Response	50-20,000 Hz	50-20,000 Hz
Voice Coil Diameter	Woofer: 25mm (1") Tweeter: 25mm (1")	25mm (1") 25mm (1")
Voice Coil Wire	Copper	Copper
Magnet System	Woofer: High grade ferrite magnet Tweeter: Neodymium	High grade ferrite magnet Neodymium
Mounting Depth	56mm (2.2")	60mm (2.4")