



# combi vitaq valve



TECHNICAL SCOPE 07/2015 | IPO2035

## SCOPE

COMBI VITAQ angle valves combine 2 independent valves 1/4 quarter-turn in one single body and are used in plumbing installations. These valves present VITAQ SYSTEM that have showed excellent results in other products like A-80, L-series angle valves or Mini stops. The inner mechanism made of special materials, combined with metallic handles, minimize the effects of lime on the valves.

These valves can shut off individually and independent water supply to equipment or components connected to each of its two outputs, such as sinks, toilets, cisterns, washing machines, dishwashers, ...

COMBI VITAQ models offer 2 independent valves from a single inlet from the drinking water network, providing the installation with following advantages:

- Reduction of over 80% of installation time
- Reducing the number of accessories
- Reduced installation space
- Improved reliability by reducing the number of connections.

These benefits apply both to existing installations, which run on a reform, as in the new facility.

## SERVICE CONDITIONS

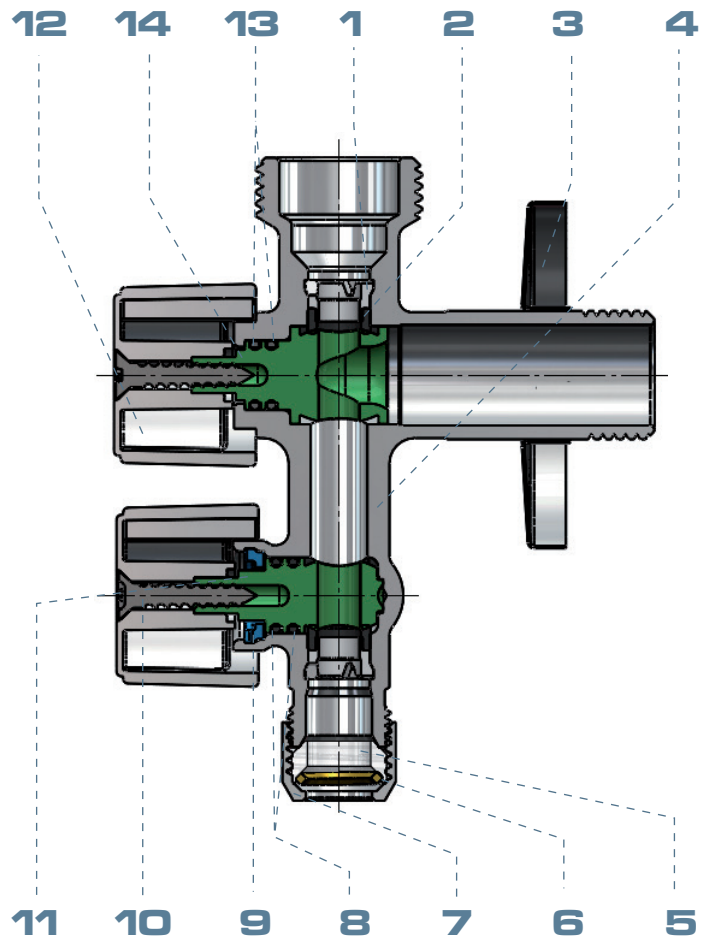
Nominal pressure:	16 bar
Test pressure:	25 bar
Temperatura range:	cold and hot water up to 95°C
Fluid:	Water intended to human consumption and domestic hot water





## COMPONENTS

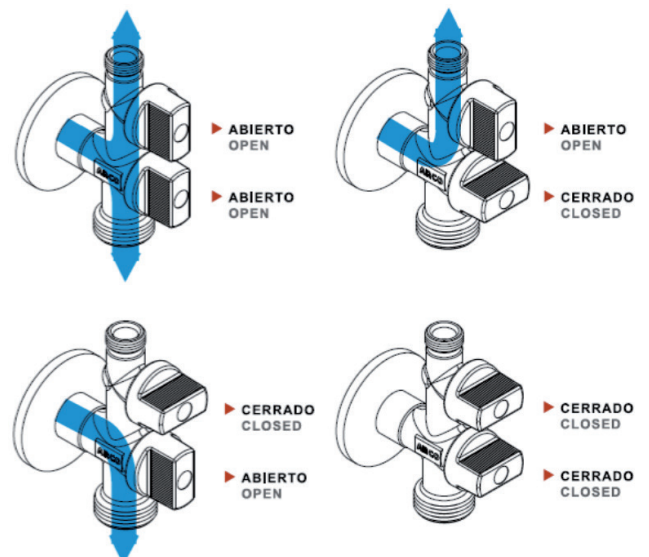
Item	Componente	Material	Treatment
1	Supporting clip	POM	
2	Seat	NBR	
3	Rosette	Stainless steel	
4	Body	CW617N European Brass	Chrome plated
5	Olive	Polyamide	
6	Fixing bolt	Brass	
7	Nut	CW617N European Brass	Chrome plated
8	O-rings	NBR	
9	Supporting clip	POM	
10	Screw	Stainless steel	
11	2-way stem	Anti-lime Polymer	
12	Handle	Metal	Chrome plated
13	O-rings	NBR	
14	3-way stem	Anti-lime Polymer	



## MAIN CONSTRUCTIVE FEATURES

### TWO INDEPENDENT OUTLETS FROM A SINGLE INLET.

These valves can shut off individually and independent water supply of the outputs.





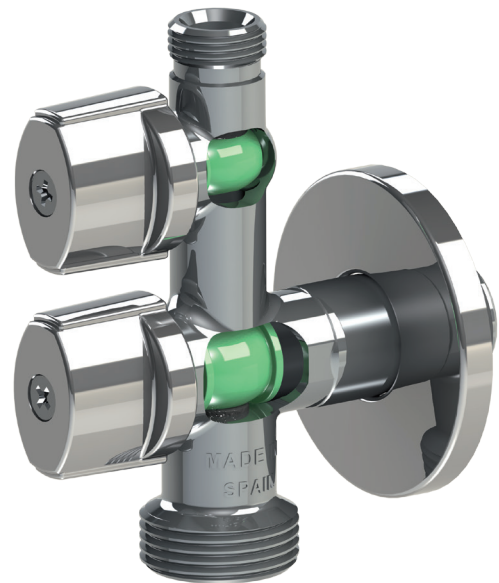
## MAIN CONSTRUCTIVE FEATURES

### VITAQ SYSTEM

Stem and ball are manufactured in one piece made of special anti-lime polymer, which increases its resistance, allows a softer operation of the valve and blocks the lime adhesion on it.

In those installations where water's hardness and temperature make easier the lime deposition, as well as a low maneuver frequency; leads to the valve's hard operation after long periods of time.

VITAQ SYSTEM is the solution to avoid a hard operation and keep a constant flow rate and avoid the loss of flow caused by the lime adhered .



### LEAKTIGHTNESS

#### Internal

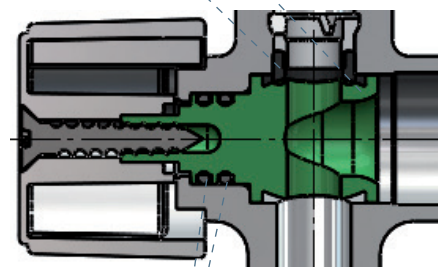
A NBR seat pushed against the stem-ball by the mean of a supporting clip made of POM, guarantees the internal leak tightness. This system provides an extra anti-tampering feature, avoiding dismantling and improper manipulations.

#### External

A double NBR o-ring placed on the stem- ball assure external leak tightness. This system guarantees double safety against external leakage, use, ageing ...

Supporting clip

Seat



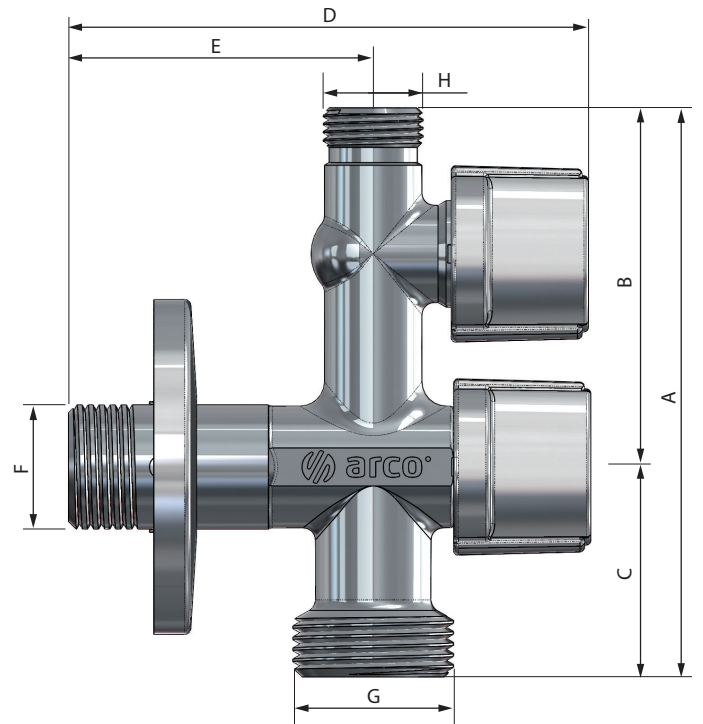
O-rings



## DIMENSIONS

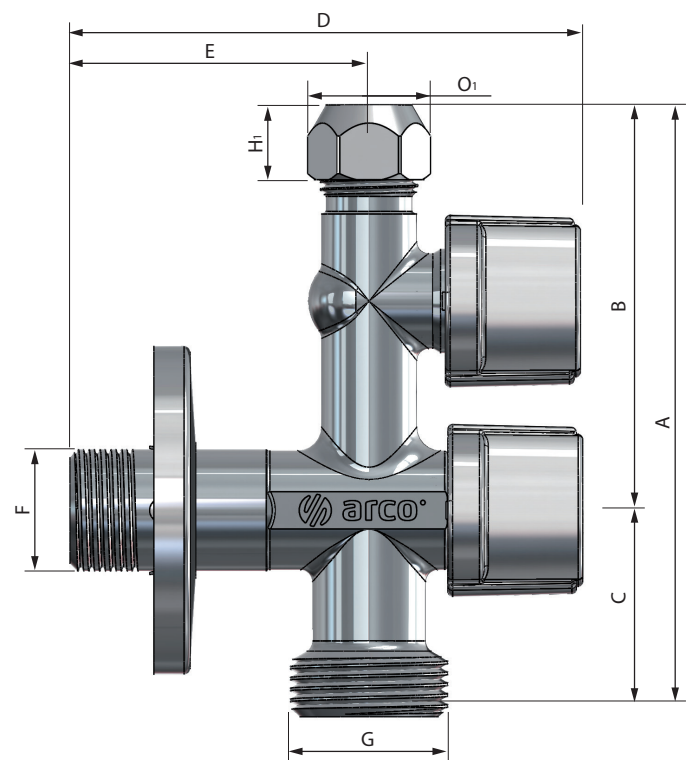
Size	A	B	C	D	E	F	G	H
1/2x3/8x3/4	95	59	35	85	50	G1/2	G3/4	G3/8
1/2x1/2x1/2	96	61	35	85	50	G1/2	G1/2	G1/2

G Thread ISO 228



Size	A	B	C	D	E	F	G	H <sub>1</sub>	O <sub>1</sub>
1/2x3/8-10x3/4 with check valve	102	68	35	85	50	G1/2	G1/2	12	10
1/2x3/8-10x3/4	96	68	35	85	50	G1/2	G3/4	12	10

G Thread ISO 228



## PRODUCT RANGE AND VARIATIONS

### CHECK VALVE

These valves incorporate a check valve system of EB type as classified protection units specified in EN 1717.

The system of protection against pollution of drinking water facilities, due to water reflux, has been certified by the entity BELGACUA



### ADAPTERS

Adapter from 3/8 to 1/2  
Adapter from 3/8 to 3/4

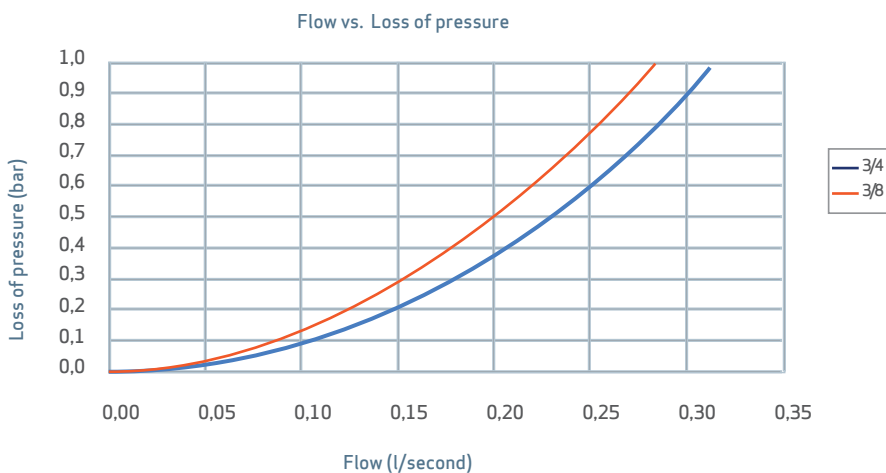
Adapters made of CW614N European brass and chrome plated.





## HYDRAULIC FEATURES

Hydraulic characteristics obtained according to EN 1267.



## INSTALATION AND ASSEMBLY

The installation of valves must be done with the right tool.

The tool should be adjusted to the flat sides of the body of the valve, avoiding the deformation of the zone by high pressure of the tool.

Components of the valve must not be altered. The substitution or dismantling of the handle can cause external leaks.

All quarter turn handle valves should work totally open.

