



MagLev Green Motor Fan
MagLev Motor Fan

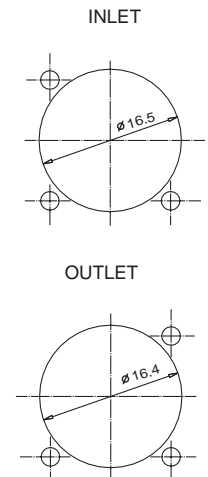
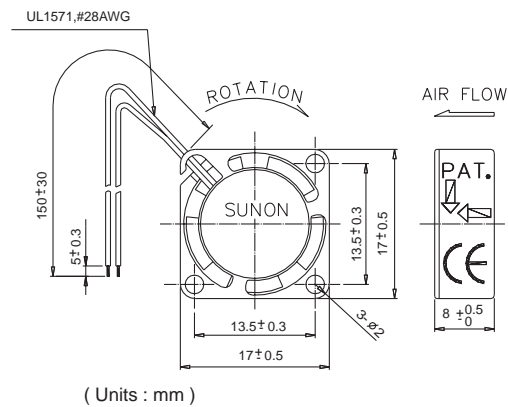
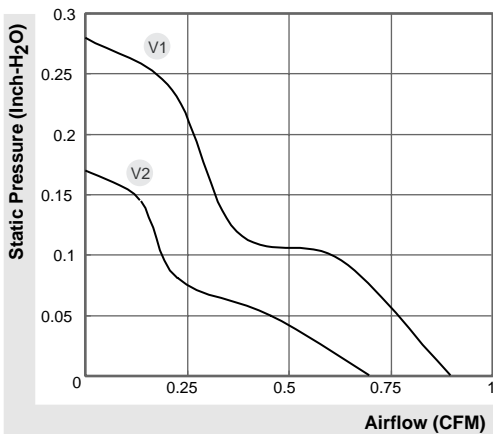


MagLev Green Motor Fan

0.7~0.9 CFM



Model	P/N	Bearing ● VAPO ⊙ 2BALL	Rating Voltage (VDC)	Power Current (AMP)	Power Consumption (WATTS)	Speed (RPM)	Air Flow (CFM)	Static Pressure (Inch-H ₂ O)	Noise (dBA)	Weight (g)
GM0517PDV1-8	GN	●	5	0.16	0.8	20000	0.9	0.28	25	4.36
GM0517PDV2-8	GN	●	5	0.11	0.6	15000	0.7	0.17	16	4.36



*All model could be customized on voltage or any other requirements to fit your need.

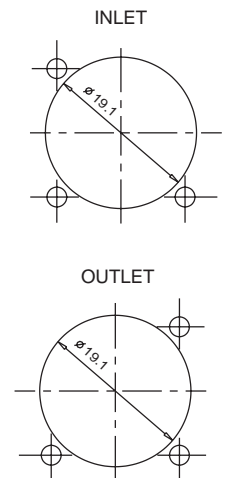
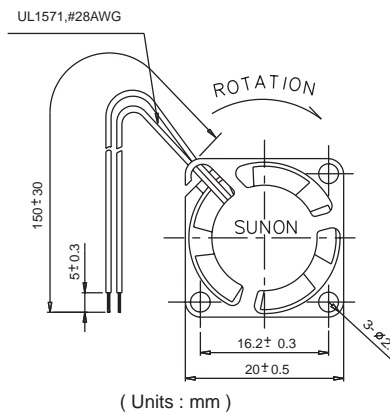
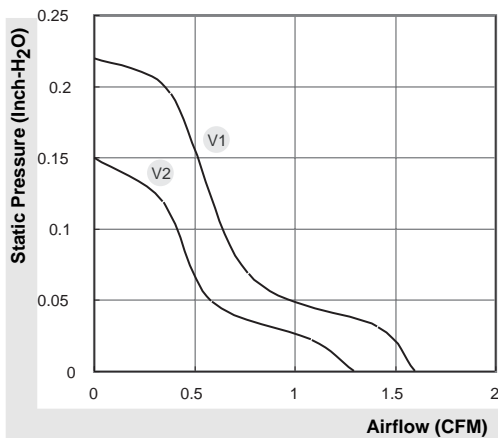
*Specifications subject to change without notice. Please Visit SUNON web site at <http://www.sunon.com> for update information.

MagLev Green Motor Fan

1.3~1.6 CFM



Model	P/N	Bearing ● VAPO ⊕ 2BALL	Rating Voltage (VDC)	Power Current (AMP)	Power Consumption (WATTS)	Speed (RPM)	Air Flow (CFM)	Static Pressure (Inch-H ₂ O)	Noise (dBA)	Weight (g)
GM0501PDV1-8	GN	●	5	0.17	0.9	15000	1.6	0.22	23	4.64
GM0501PDV2-8	GN	●	5	0.11	0.6	12000	1.3	0.15	21	4.64



*All model could be customized on voltage or any other requirements to fit your need.

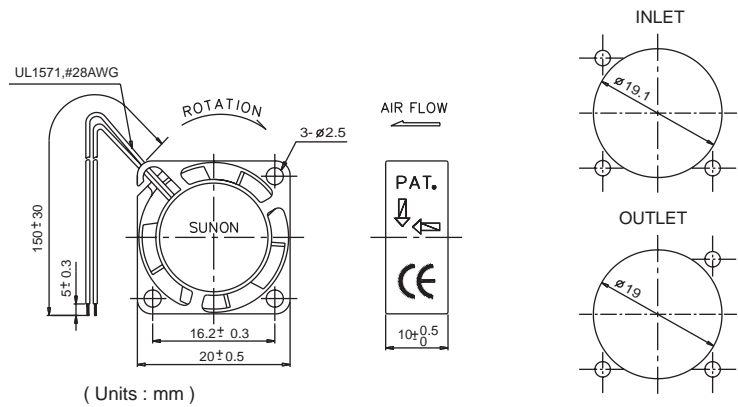
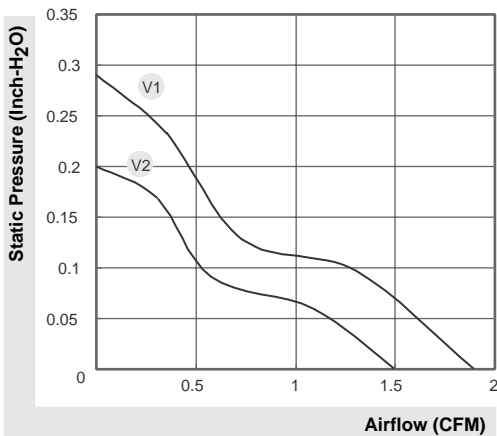
*Specifications subject to change without notice. Please Visit SUNON web site at <http://www.sunon.com> for update information.

MagLev Green Motor Fan

1.5~1.9 CFM



Model	P/N	Bearing ● VAPO ○ 2BALL	Rating Voltage (VDC)	Power Current (AMP)	Power Consumption (WATTS)	Speed (RPM)	Air Flow (CFM)	Static Pressure (Inch-H ₂ O)	Noise (dBA)	Weight (g)
GM0501PFV1-8	N.GN	●	5	0.21	1.1	17000	1.9	0.29	25	5.5
GM0501PFV2-8	N.GN	●	5	0.18	0.9	14000	1.5	0.20	20	5.5



*All model could be customized on voltage or any other requirements to fit your need.

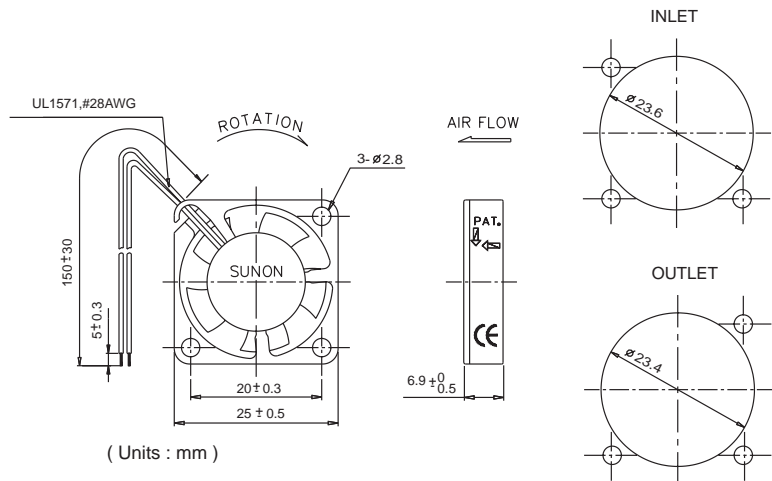
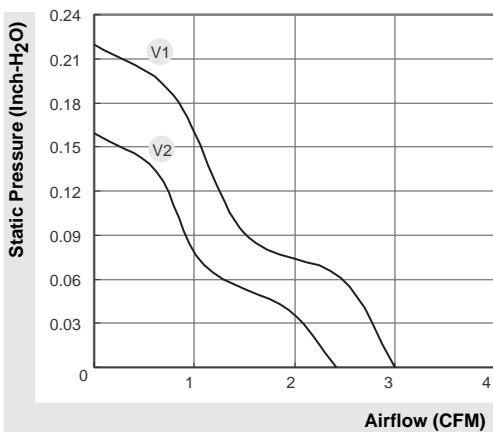
*Specifications subject to change without notice. Please Visit SUNON web site at <http://www.sunon.com> for update information.

MagLev Green Motor Fan

2.2~3.0 CFM



Model	P/N	Bearing ● VAPO ○ 2BALL	Rating Voltage (VDC)	Power Current (AMP)	Power Consumption (WATTS)	Speed (RPM)	Air Flow (CFM)	Static Pressure (Inch-H ₂ O)	Noise (dBA)	Weight (g)
GM0502PEV1-8	N.GN	●	5	0.11	0.6	13000	3.0	0.22	31	5
GM0502PEV2-8	N.GN	●	5	0.08	0.4	10000	2.2	0.16	23	5



*All model could be customized on voltage or any other requirements to fit your need.

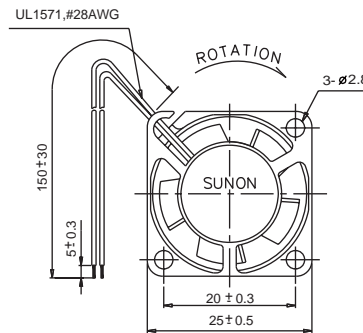
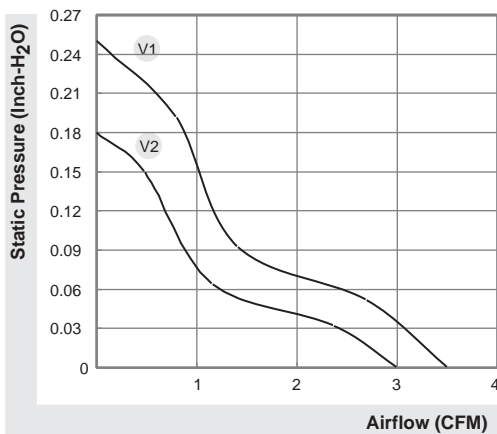
*Specifications subject to change without notice. Please Visit SUNON web site at <http://www.sunon.com> for update information.

MagLev Green Motor Fan

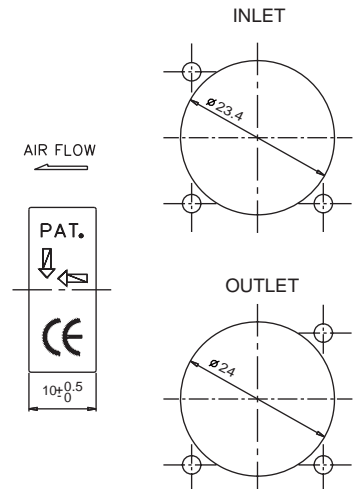
3.0~3.5 CFM



Model	P/N	Bearing ● VAPO ⊙ 2BALL	Rating Voltage (VDC)	Power Current (AMP)	Power Consumption (WATTS)	Speed (RPM)	Air Flow (CFM)	Static Pressure (Inch-H ₂ O)	Noise (dBA)	Weight (g)
GM0502PFV1-8	GN	●	5	0.12	0.6	13000	3.5	0.25	23	7.5
GM0502PFV2-8	GN	●	5	0.08	0.4	10000	3.0	0.18	16	7.5
GM1202PFV1-8	GN	●	12	0.12	0.6	13000	3.5	0.25	23	7.5
GM1202PFV2-8	GN	●	12	0.08	0.4	10000	3.0	0.18	16	7.5



(Units : mm)

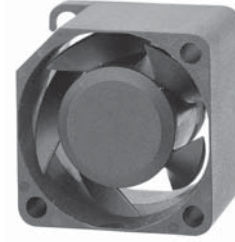


*All model could be customized on voltage or any other requirements to fit your need.

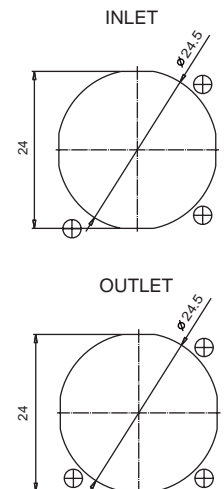
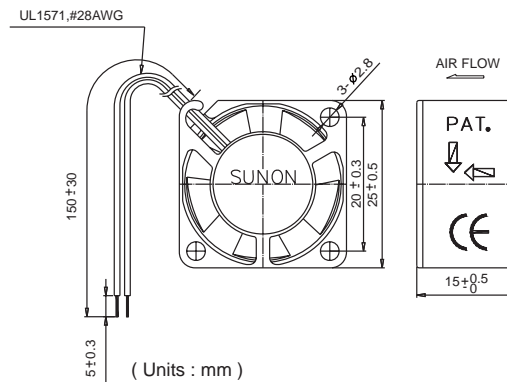
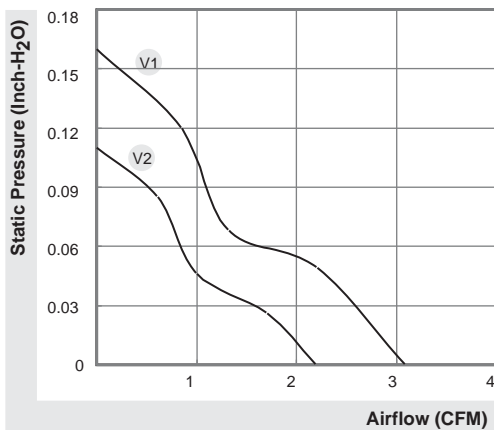
*Specifications subject to change without notice. Please Visit SUNON web site at <http://www.sunon.com> for update information.

MagLev Green Motor Fan

2.2~3.1 CFM



Model	P/N	Bearing ● VAPO ○ 2BALL	Rating Voltage (VDC)	Power Current (AMP)	Power Consumption (WATTS)	Speed (RPM)	Air Flow (CFM)	Static Pressure (Inch-H ₂ O)	Noise (dBA)	Weight (g)
GM0502PHV1-8	GN	●	5	0.11	0.6	10000	3.1	0.16	20	11
GM0502PHV2-8	GN	●	5	0.08	0.4	7000	2.2	0.11	14	11
GM1202PHV1-8	GN	●	12	0.048	0.6	10000	3.1	0.16	20	11
GM1202PHV2-8	GN	●	12	0.029	0.4	7000	2.2	0.11	14	11



*All model could be customized on voltage or any other requirements to fit your need.

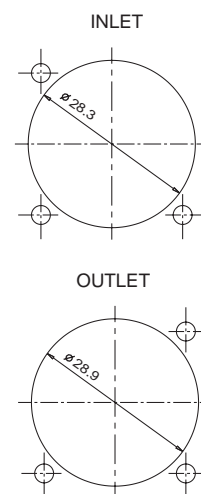
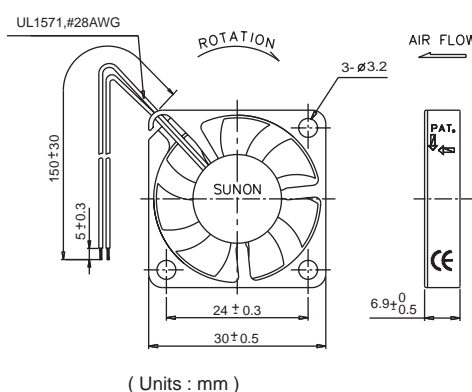
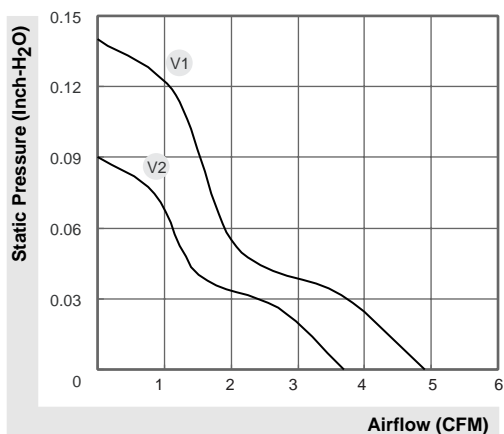
*Specifications subject to change without notice. Please Visit SUNON web site at <http://www.sunon.com> for update information.

MagLev Green Motor Fan

3.7~4.9 CFM



Model	P/N	Bearing ● VAPO ● 2BALL	Rating Voltage (VDC)	Power Current (AMP)	Power Consumption (WATTS)	Speed (RPM)	Air Flow (CFM)	Static Pressure (Inch-H ₂ O)	Noise (dBA)	Weight (g)
GM0503PEV1-8	N.GN	●	5	0.13	0.7	9500	4.9	0.14	28	6
GM0503PEV2-8	N.GN	●	5	0.08	0.4	7500	3.7	0.09	24	6



*All model could be customized on voltage or any other requirements to fit your need.

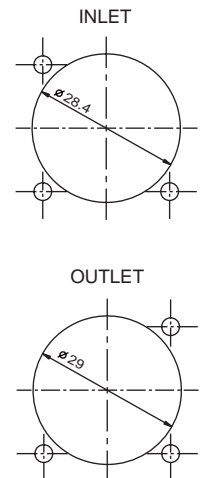
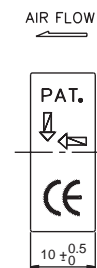
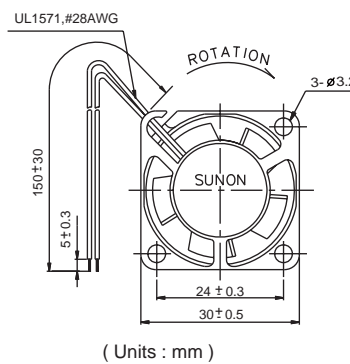
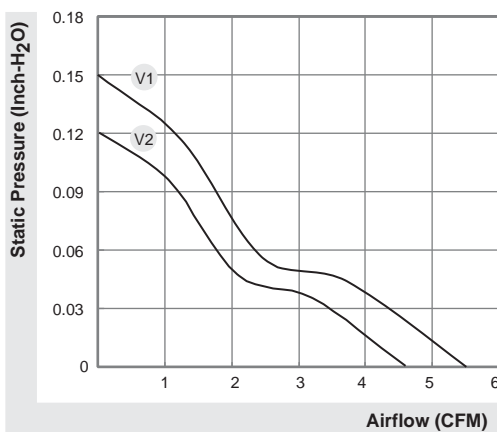
*Specifications subject to change without notice. Please Visit SUNON web site at <http://www.sunon.com> for update information.

MagLev Green Motor Fan

4.6~5.5 CFM



Model	P/N	Bearing ● VAPO ○ 2BALL	Rating Voltage (VDC)	Power Current (AMP)	Power Consumption (WATTS)	Speed (RPM)	Air Flow (CFM)	Static Pressure (Inch-H ₂ O)	Noise (dBA)	Weight (g)
GM0503PFV1-8	GN	●	5	0.14	0.7	9500	5.5	0.15	23	8.6
GM0503PFV2-8	GN	●	5	0.10	0.5	8000	4.6	0.12	20	8.6
GM1203PFV1-8	GN	●	12	0.078	1.0	9500	5.5	0.15	23	8.5
GM1203PFV2-8	GN	●	12	0.042	0.5	8000	4.6	0.12	20	8.5



*All model could be customized on voltage or any other requirements to fit your need.

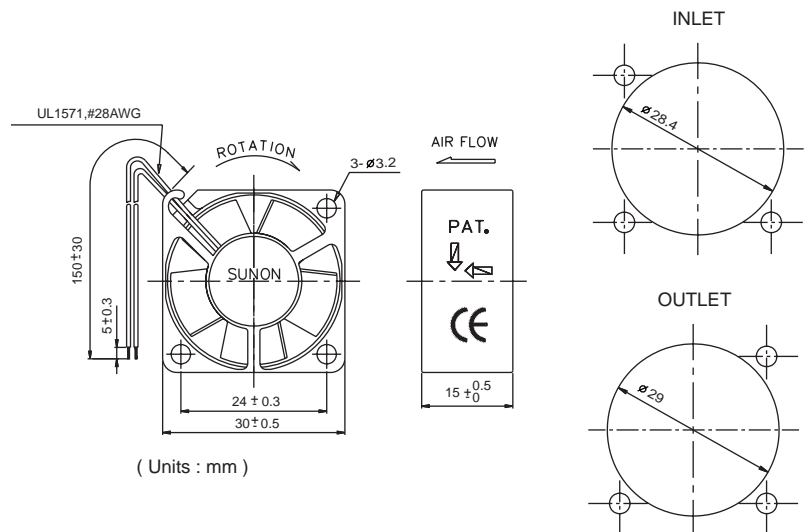
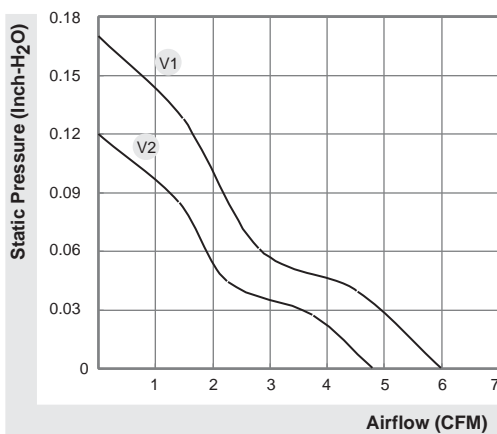
*Specifications subject to change without notice. Please Visit SUNON web site at <http://www.sunon.com> for update information.

MagLev Green Motor Fan

4.8~6.0 CFM



Model	P/N	Bearing ● VAPO ⊙ 2BALL	Rating Voltage (VDC)	Power Current (AMP)	Power Consumption (WATTS)	Speed (RPM)	Air Flow (CFM)	Static Pressure (Inch-H ₂ O)	Noise (dBA)	Weight (g)
GM0503PHV1-8	GN	●	5	0.11	0.6	8500	6.0	0.17	27	13.5
GM0503PHV2-8	GN	●	5	0.07	0.4	7000	4.8	0.12	20	13.5
GM1203PHV1-8	GN	●	12	0.054	0.6	8500	6.0	0.17	27	13.2
GM1203PHV2-8	GN	●	12	0.029	0.4	7000	4.8	0.12	20	13.2



*All model could be customized on voltage or any other requirements to fit your need.

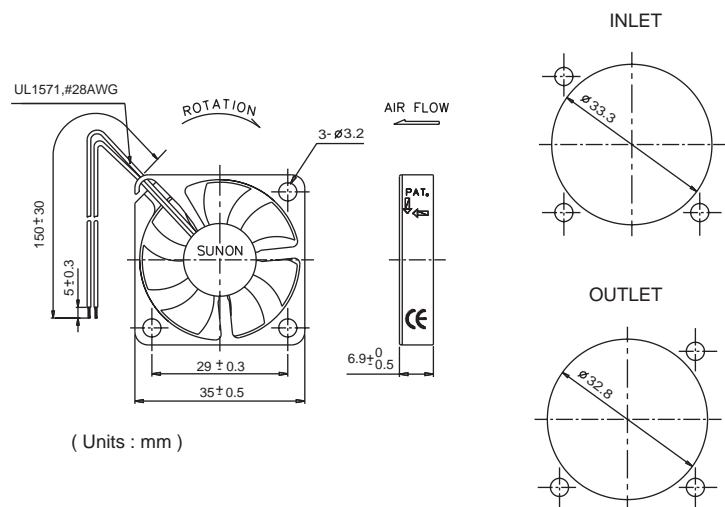
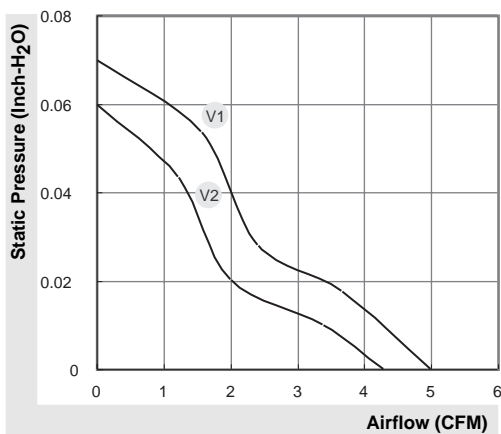
*Specifications subject to change without notice. Please Visit SUNON web site at <http://www.sunon.com> for update information.

MagLev Green Motor Fan

4.3~5.5 CFM



Model	P/N	Bearing ● VAPO ⊗ 2BALL	Rating Voltage (VDC)	Power Current (AMP)	Power Consumption (WATTS)	Speed (RPM)	Air Flow (CFM)	Static Pressure (Inch-H ₂ O)	Noise (dBA)	Weight (g)
GM0535PEV1-8	N.GN	●	5	0.14	0.7	7600	5.5	0.08	26	7
GM0535PEV2-8	N.GN	●	5	0.09	0.5	5800	4.3	0.06	19	7



*All model could be customized on voltage or any other requirements to fit your need.

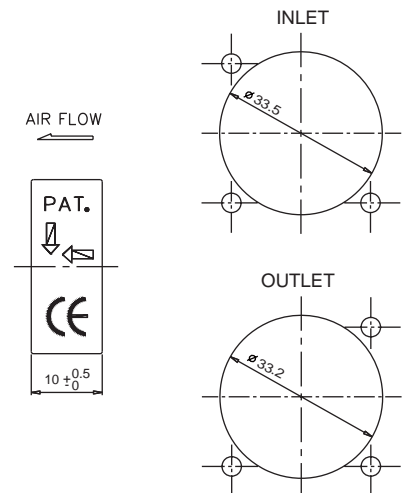
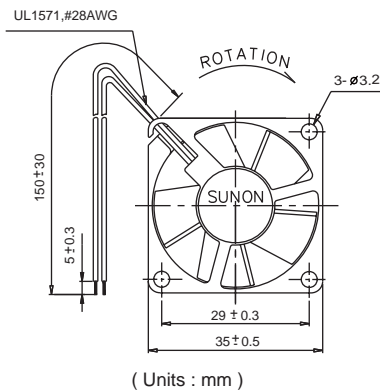
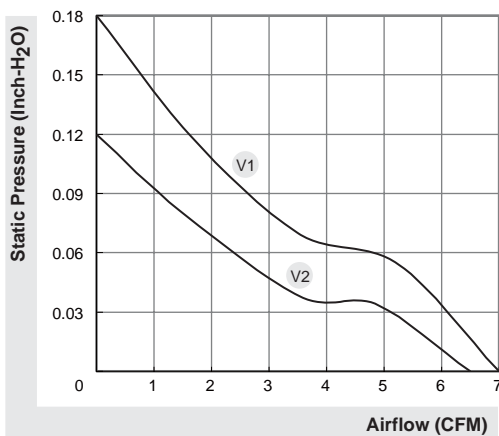
*Specifications subject to change without notice. Please Visit SUNON web site at <http://www.sunon.com> for update information.

MagLev Green Motor Fan

6.5~7.0 CFM



Model	P/N	Bearing ● VAPO ⊙ 2BALL	Rating Voltage (VDC)	Power Current (AMP)	Power Consumption (WATTS)	Speed (RPM)	Air Flow (CFM)	Static Pressure (Inch-H ₂ O)	Noise (dBA)	Weight (g)
GM0535PFV1-8	GN	●	5	0.15	0.8	9500	7.0	0.18	28	10.5
GM0535PFV2-8	GN	●	5	0.10	0.5	7500	6.5	0.12	22	10.5
GM1235PFV1-8	GN	●	12	0.08	1.0	9500	7.0	0.18	28	10.5
GM1235PFV2-8	GN	●	12	0.043	0.5	7500	6.5	0.12	22	10.5



*All model could be customized on voltage or any other requirements to fit your need.

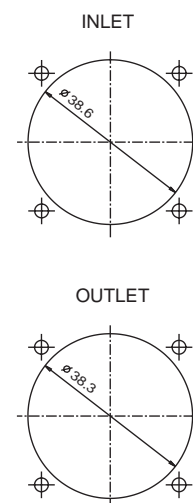
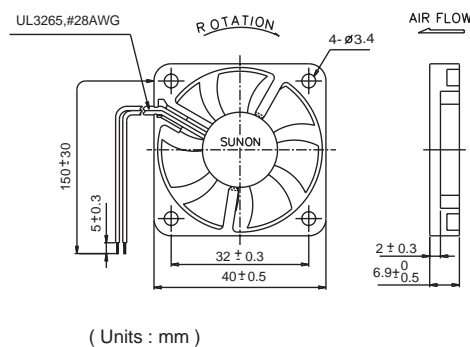
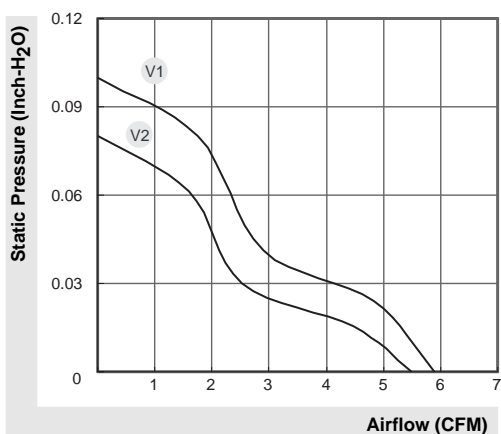
*Specifications subject to change without notice. Please Visit SUNON web site at <http://www.sunon.com> for update information.

MagLev Green Motor Fan

5.5~5.9 CFM



Model	P/N	Bearing ● VAPO ⊙ 2BALL	Rating Voltage (VDC)	Power Current (AMP)	Power Consumption (WATTS)	Speed (RPM)	Air Flow (CFM)	Static Pressure (Inch-H ₂ O)	Noise (dBA)	Weight (g)
GM0504PEV1-8	GN	●	5	0.09	0.5	7000	5.9	0.10	32	7.5
GM0504PEV2-8	GN	●	5	0.07	0.4	6000	5.5	0.08	26	7.5



*All model could be customized on voltage or any other requirements to fit your need.

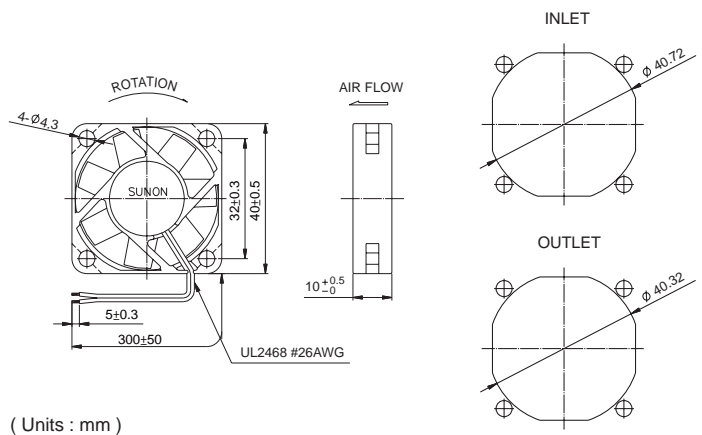
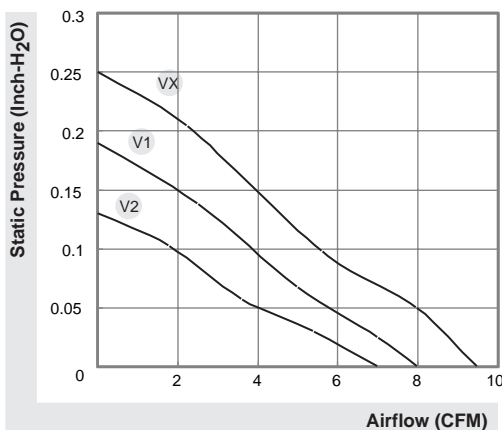
*Specifications subject to change without notice. Please Visit SUNON web site at <http://www.sunon.com> for update information.

MagLev Motor Fan

7.0~9.5 CFM



Model	P/N	Bearing ● VAPO ⊙ 2BALL	Rating Voltage (VDC)	Power Current (AMP)	Power Consumption (WATTS)	Speed (RPM)	Air Flow (CFM)	Static Pressure (Inch-H ₂ O)	Noise (dBA)	Weight (g)
KDE0504PFV1	11.MS.A.GN	●	5	0.24	1.2	7000	8.0	0.19	32	17
KDE0504PFV2	11.MS.A.GN	●	5	0.14	0.7	5800	7.0	0.13	27	17
KDE1204PFVX	11.MS.A.GN	●	12	0.15	1.8	8500	9.5	0.25	39	17
KDE1204PFV1	11.MS.A.GN	●	12	0.09	1.1	7000	8.0	0.19	32	17
KDE1204PFV2	11.MS.A.GN	●	12	0.08	1.0	5800	7.0	0.13	27	17
KDE2404PFVX	11.MS.A.GN	●	24	0.077	1.9	8500	9.5	0.25	39	17

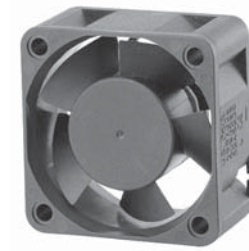


*All model could be customized on voltage or any other requirements to fit your need.

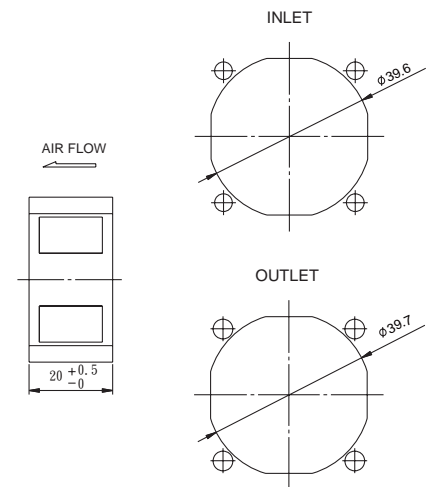
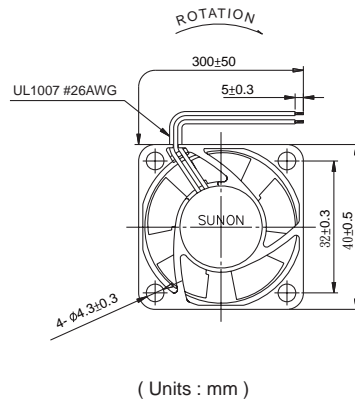
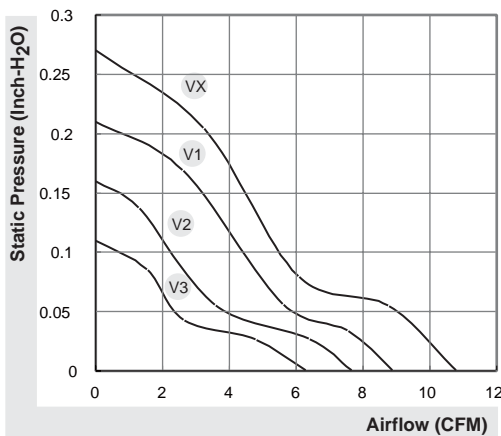
*Specifications subject to change without notice. Please Visit SUNON web site at <http://www.sunon.com> for update information.

MagLev Motor Fan

6.3~10.8 CFM



Model	P/N	Bearing ● VAPO ⊙ 2BALL	Rating Voltage (VDC)	Power Current (AMP)	Power Consumption (WATTS)	Speed (RPM)	Air Flow (CFM)	Static Pressure (Inch-H ₂ O)	Noise (dBA)	Weight (g)
KDE0504PKV1	MS.A.GN	●	5	0.19	1.0	7200	8.9	0.21	25.5	30
KDE0504PKV2	MS.A.GN	●	5	0.12	0.6	6200	7.7	0.16	21.0	30
KDE0504PKV3	MS.A.GN	●	5	0.08	0.4	5200	6.3	0.11	18.0	30
KDE1204PKVX	MS.A.GN	●	12	0.12	1.4	8200	10.8	0.27	27.5	31
KDE1204PKV1	MS.A.GN	●	12	0.07	0.8	7200	8.9	0.21	25.5	31
KDE1204PKV2	MS.A.GN	●	12	0.05	0.6	6200	7.7	0.16	21.0	31
KDE1204PKV3	MS.A.GN	●	12	0.03	0.4	5200	6.3	0.11	18.0	31
KDE2404PKVX	MS.A.GN	●	24	0.064	1.5	8200	10.8	0.27	27.5	31
KDE2404PKV1	MS.A.GN	●	24	0.05	1.2	7200	8.9	0.21	25.5	31
KDE2404PKV2	MS.A.GN	●	24	0.033	0.8	6200	7.7	0.16	21.0	31



*All model could be customized on voltage or any other requirements to fit your need.

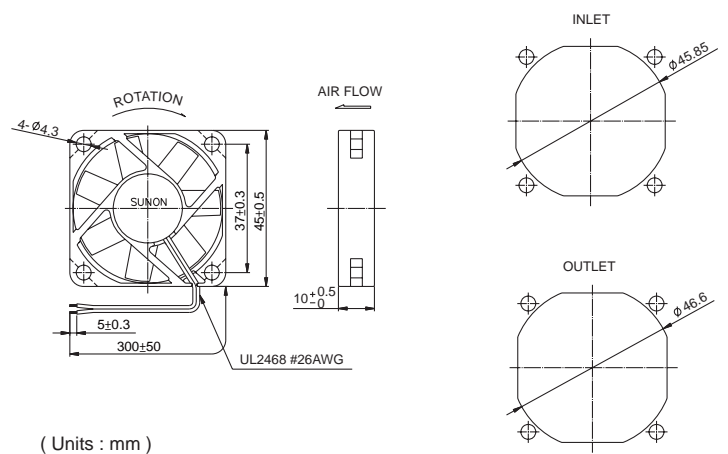
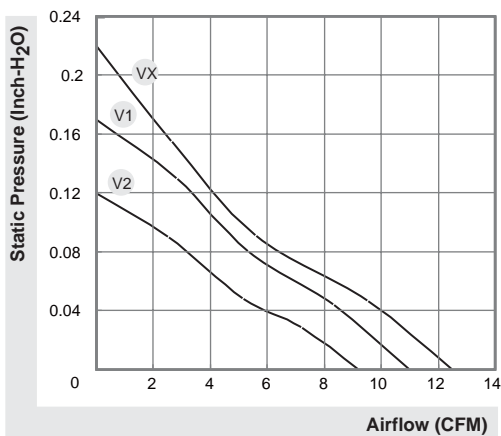
*Specifications subject to change without notice. Please Visit SUNON web site at <http://www.sunon.com> for update information.

MagLev Motor Fan

9.2~12.5 CFM



Model	P/N	Bearing ● VAPO ○ 2BALL	Rating Voltage (VDC)	Power Current (AMP)	Power Consumption (WATTS)	Speed (RPM)	Air Flow (CFM)	Static Pressure (Inch-H ₂ O)	Noise (dBA)	Weight (g)
KDE0545PFV1	11.MS.A.GN	●	5	0.25	1.3	6000	11.0	0.17	32	19.0
KDE0545PFV2	11.MS.A.GN	●	5	0.15	0.8	5000	9.2	0.12	27	19.0
KDE1245PFVX	11.MS.A.GN	●	12	0.16	1.9	7100	12.5	0.22	35	18.5
KDE1245PFV1	11.MS.A.GN	●	12	0.10	1.2	6000	11.0	0.17	32	18.5
KDE1245PFV2	11.MS.A.GN	●	12	0.08	1.0	5000	9.2	0.12	27	18.5
KDE2445PFVX	11.MS.A.GN	●	24	0.084	2.0	7100	12.5	0.22	35	19.0



*All model could be customized on voltage or any other requirements to fit your need.

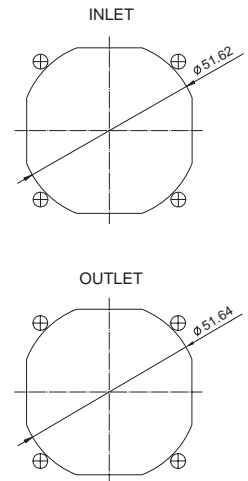
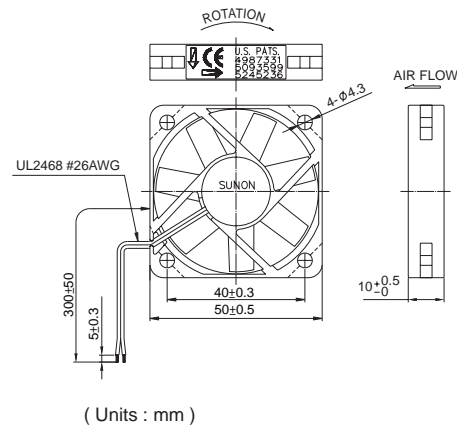
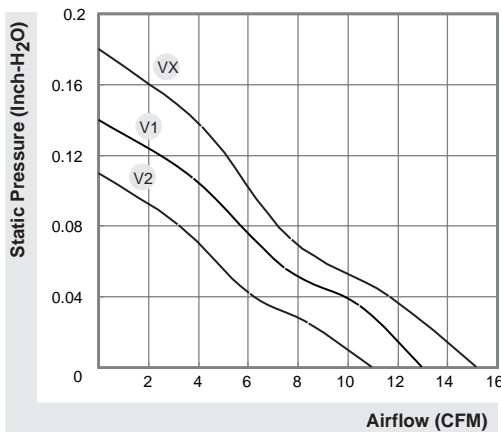
*Specifications subject to change without notice. Please Visit SUNON web site at <http://www.sunon.com> for update information.

MagLev Motor Fan

11~15.2 CFM



Model	P/N	Bearing ● VAPO ⊙ 2BALL	Rating Voltage (VDC)	Power Current (AMP)	Power Consumption (WATTS)	Speed (RPM)	Air Flow (CFM)	Static Pressure (Inch-H ₂ O)	Noise (dBA)	Weight (g)
KDE0505PFV1	11.MS.A.GN	●	5	0.27	1.4	5200	13.0	0.14	30	21
KDE0505PFV2	11.MS.A.GN	●	5	0.16	0.8	4300	11.0	0.11	26	21
KDE1205PFVX	11.MS.A.GN	●	12	0.17	2.0	6100	15.2	0.18	35	20
KDE1205PFV1	11.MS.A.GN	●	12	0.11	1.3	5200	13.0	0.14	30	20
KDE1205PFV2	11.MS.A.GN	●	12	0.09	1.1	4300	11.0	0.11	26	20
KDE2405PFVX	11.MS.A.GN	●	24	0.091	2.2	6100	15.2	0.18	35	21



*All model could be customized on voltage or any other requirements to fit your need.

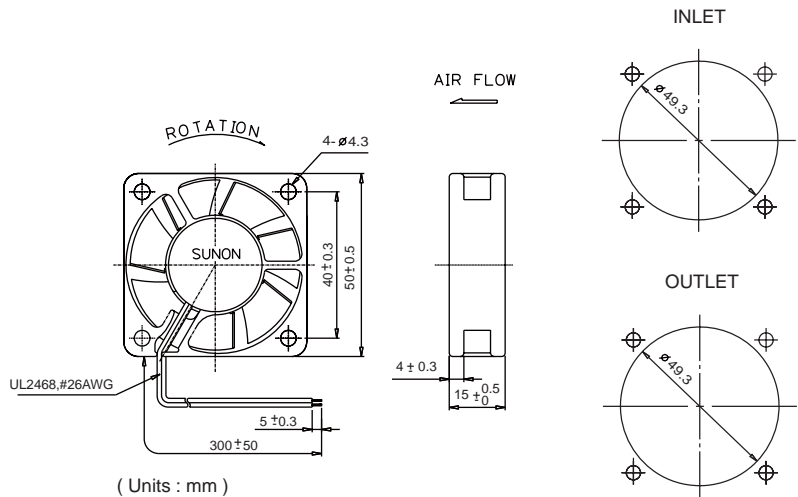
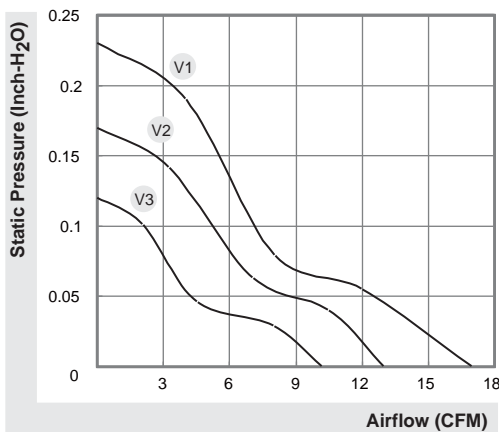
*Specifications subject to change without notice. Please Visit SUNON web site at <http://www.sunon.com> for update information.

MagLev Motor Fan

10.2~17 CFM



Model	P/N	Bearing ● VAPO ⊙ 2BALL	Rating Voltage (VDC)	Power Current (AMP)	Power Consumption (WATTS)	Speed (RPM)	Air Flow (CFM)	Static Pressure (Inch-H ₂ O)	Noise (dBA)	Weight (g)
KDE0505PHV2	MS.A.GN	●	5	0.15	0.8	4700	13.0	0.17	29	39
KDE0505PHV3	MS.A.GN	●	5	0.09	0.5	3700	10.2	0.12	22	39
KDE1205PHV1	MS.A.GN	●	12	0.11	1.3	5800	17.0	0.23	33	38
KDE1205PHV2	MS.A.GN	●	12	0.07	0.8	4700	13.0	0.17	29	38
KDE1205PHV3	MS.A.GN	●	12	0.04	0.5	3700	10.2	0.12	22	38
KDE2405PHV1	MS.A.GN	●	24	0.063	1.5	5800	17.0	0.23	33	39
KDE2405PHV2	MS.A.GN	●	24	0.042	1.0	4700	13.0	0.17	29	39



*All model could be customized on voltage or any other requirements to fit your need.

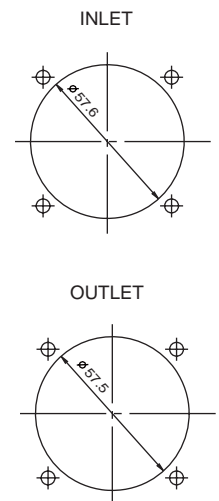
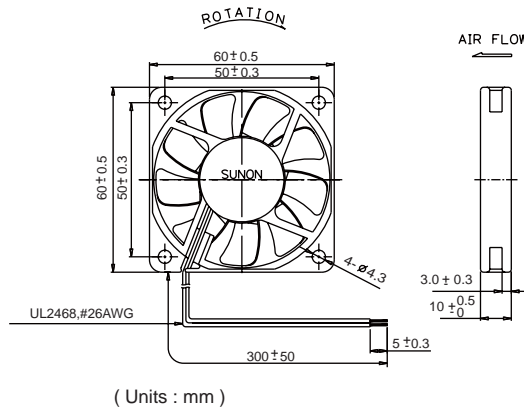
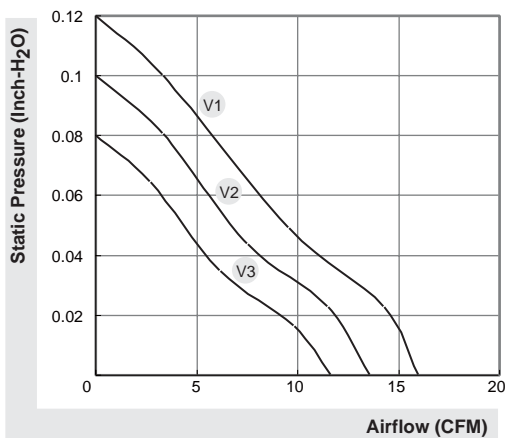
*Specifications subject to change without notice. Please Visit SUNON web site at <http://www.sunon.com> for update information.

MagLev Motor Fan

11.7~16 CFM



Model	P/N	Bearing ● VAPO ⊙ 2BALL	Rating Voltage (VDC)	Power Current (AMP)	Power Consumption (WATTS)	Speed (RPM)	Air Flow (CFM)	Static Pressure (Inch-HzO)	Noise (dBA)	Weight (g)
KDE0506PFV2	MS.G.(9).A.GN	●	5	0.20	1.0	3500	13.6	0.10	25.0	29
KDE0506PFV3	MS.G.(9).A.GN	●	5	0.13	0.7	3000	11.7	0.08	21.5	29
KDE1206PFV1	MS.G.(9).A.GN	●	12	0.12	1.4	4000	16.0	0.12	28.5	29
KDE1206PFV2	MS.G.(9).A.GN	●	12	0.08	1.0	3500	13.6	0.10	25.0	29
KDE1206PFV3	MS.G.(9).A.GN	●	12	0.05	0.6	3000	11.7	0.08	21.5	29



*All model could be customized on voltage or any other requirements to fit your need.

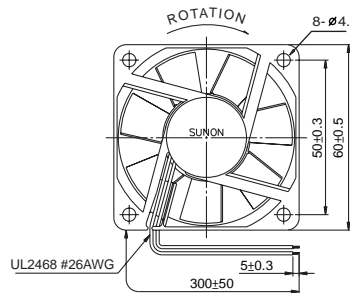
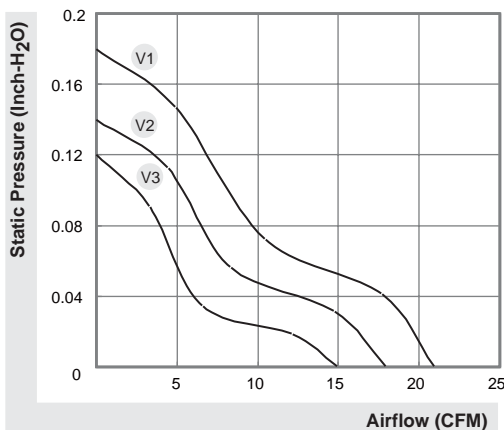
*Specifications subject to change without notice. Please Visit SUNON web site at <http://www.sunon.com> for update information.

MagLev Motor Fan

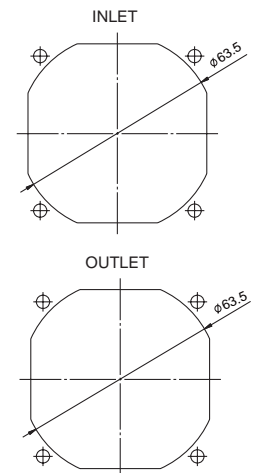
15~21 CFM



Model	P/N	Bearing ● VAPO ⊙ 2BALL	Rating Voltage (VDC)	Power Current (AMP)	Power Consumption (WATTS)	Speed (RPM)	Air Flow (CFM)	Static Pressure (Inch-H ₂ O)	Noise (dBA)	Weight (g)
KDE0506PHV2	MS.A.GN	●	5	0.18	0.9	3800	18	0.14	31	44
KDE0506PHV3	MS.A.GN	●	5	0.10	0.5	3000	15	0.12	25	44
KDE1206PHV1	MS.A.GN	●	12	0.13	1.6	4300	21	0.18	36	42
KDE1206PHV2	MS.A.GN	●	12	0.08	1.0	3800	18	0.14	31	42
KDE1206PHV3	MS.A.GN	●	12	0.05	0.6	3000	15	0.12	25	42
KDE2406PHV1	MS.A.GN	●	24	0.077	1.9	4300	21	0.18	36	44
KDE2406PHV2	MS.A.GN	●	24	0.054	1.3	3800	18	0.14	31	44



(Units : mm)



*All model could be customized on voltage or any other requirements to fit your need.

*Specifications subject to change without notice. Please Visit SUNON web site at <http://www.sunon.com> for update information.

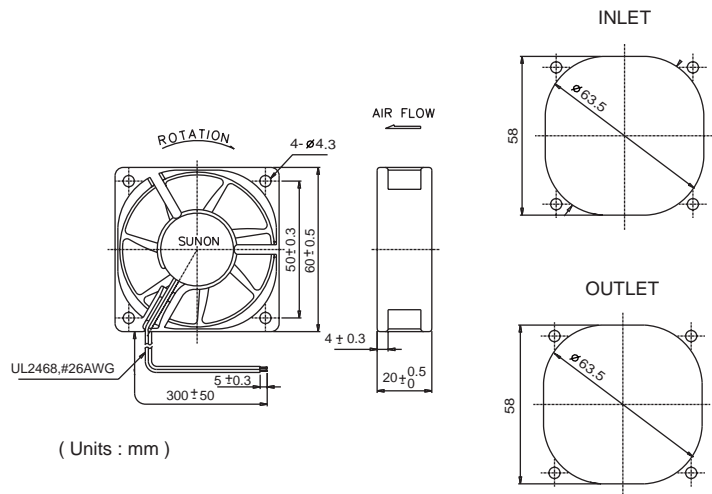
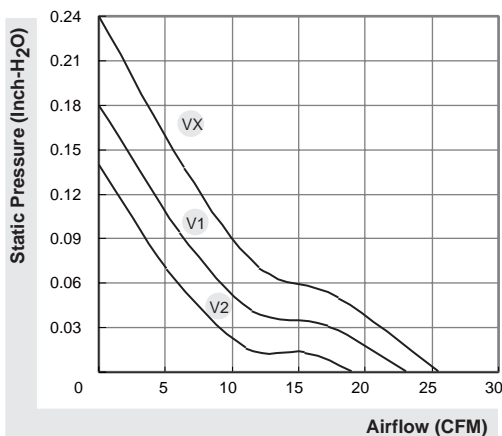
MagLev Motor Fan

19~25.5 CFM



Model	P/N	Bearing ● VAPO ⊙ 2BALL	Rating Voltage (VDC)	Power Current (AMP)	Power Consumption (WATTS)	Speed (RPM)	Air Flow (CFM)	Static Pressure (Inch-H ₂ O)	Noise (dBA)	Weight (g)
KDE1206PKVX	MS.A.GN	●	12	0.24	2.9	5100	25.5	0.24	39.0	52
KDE1206PKV1	MS.A.GN	●	12	0.15	1.8	4500	23.0	0.18	33.5	52
KDE1206PKV2	MS.A.GN	●	12	0.07	0.8	3700	19.0	0.14	28.0	52
KDE2406PKVX	MS.A.GN	●	24	0.125	3.0	5100	25.5	0.24	39.0	52
KDE2406PKV1	MS.A.GN	●	24	0.078	1.9	4500	23.0	0.18	33.5	52
KDE2406PKV2	MS.A.GN	●	24	0.047	1.1	3700	19.0	0.14	28.0	52

*High air flow products please see page 40.



*All model could be customized on voltage or any other requirements to fit your need.

*Specifications subject to change without notice. Please Visit SUNON web site at <http://www.sunon.com> for update information.

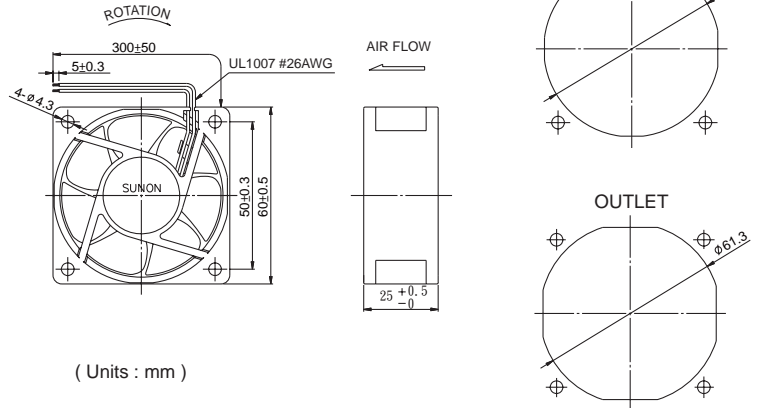
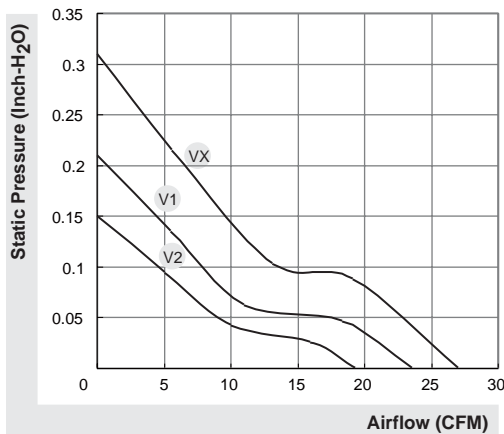
MagLev Motor Fan

19.3~27 CFM



Model	P/N	Bearing ● VAPO ⊙ 2BALL	Rating Voltage (VDC)	Power Current (AMP)	Power Consumption (WATTS)	Speed (RPM)	Air Flow (CFM)	Static Pressure (Inch-H ₂ O)	Noise (dBA)	Weight (g)
KDE1206PTVX	MS.A.GN	●	12	0.23	2.8	5200	27.0	0.31	36.5	55
KDE1206PTV1	MS.A.GN	●	12	0.14	1.7	4500	23.5	0.21	33.5	55
KDE1206PTV2	MS.A.GN	●	12	0.07	0.8	3800	19.3	0.15	29.0	55
KDE2406PTVX	MS.A.GN	●	24	0.114	2.7	5200	27.0	0.31	36.5	56
KDE2406PTV1	MS.A.GN	●	24	0.079	1.9	4500	23.5	0.21	33.5	56
KDE2406PTV2	MS.A.GN	●	24	0.048	1.2	3800	19.3	0.15	29.0	56

*High air flow products please see page 41.



*All model could be customized on voltage or any other requirements to fit your need.

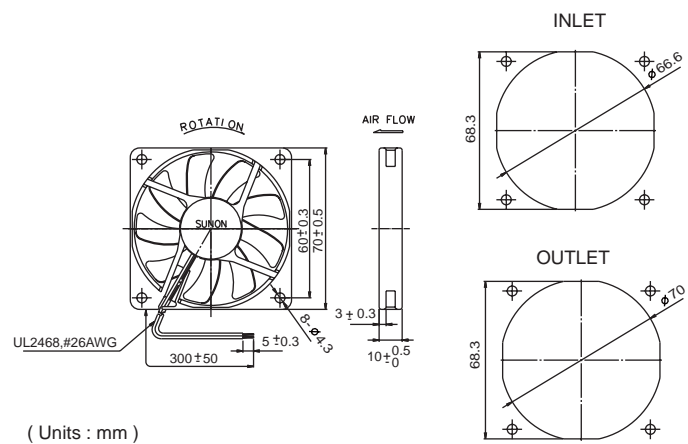
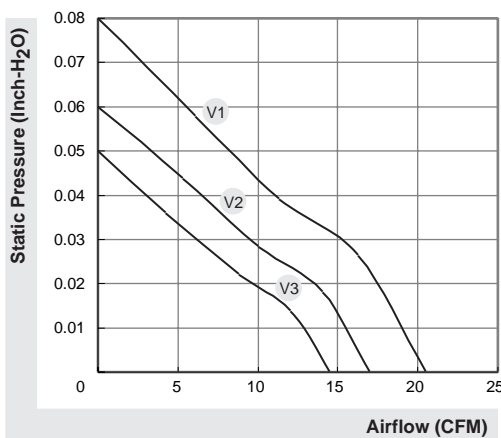
*Specifications subject to change without notice. Please Visit SUNON web site at <http://www.sunon.com> for update information.

MagLev Motor Fan

14.5~20.5 CFM



Model	P/N	Bearing	Rating Voltage (VDC)	Power Current (AMP)	Power Consumption (WATTS)	Speed (RPM)	Air Flow (CFM)	Static Pressure (Inch-H ₂ O)	Noise (dBA)	Weight (g)
KDE0507PFV2	MS.G.A.GN	● VAP0	5	0.22	1.1	2500	17.0	0.06	24.5	29
KDE0507PFV3	MS.G.A.GN	● 2BALL	5	0.13	0.7	2100	14.5	0.05	20.5	29
KDE1207PFV1	MS.G.A.GN	●	12	0.14	1.7	3000	20.5	0.08	28.0	29
KDE1207PFV2	MS.G.A.GN	●	12	0.09	1.1	2500	17.0	0.06	24.5	29
KDE1207PFV3	MS.G.A.GN	●	12	0.06	0.7	2100	14.5	0.05	20.5	29



*All model could be customized on voltage or any other requirements to fit your need.

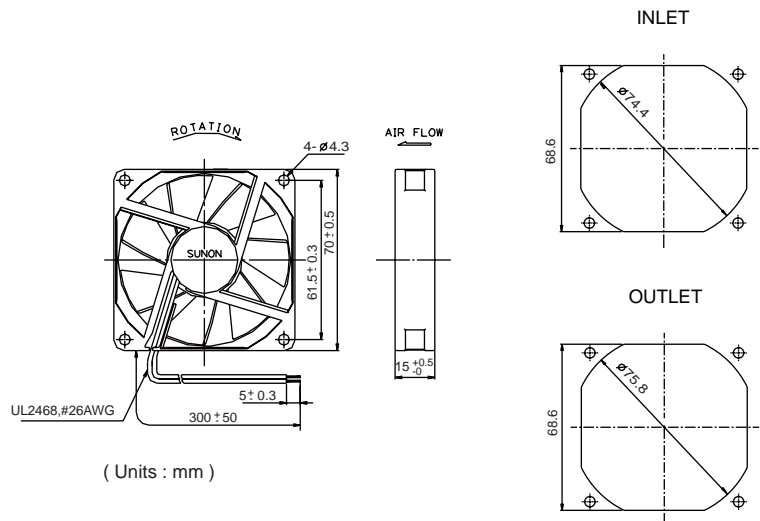
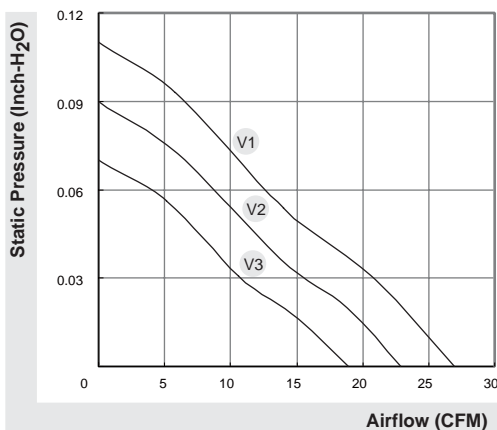
*Specifications subject to change without notice. Please Visit SUNON web site at <http://www.sunon.com> for update information

MagLev Motor Fan

19~27 CFM



Model	P/N	Bearing ● VAPO ⊙ 2BALL	Rating Voltage (VDC)	Power Current (AMP)	Power Consumption (WATTS)	Speed (RPM)	Air Flow (CFM)	Static Pressure (Inch-H ₂ O)	Noise (dBA)	Weight (g)
KDE0507PHV2	MS.A.GN	●	5	0.2	1.0	2800	23	0.09	26.5	52
KDE0507PHV3	MS.A.GN	●	5	0.11	0.6	2300	19	0.07	21.5	52
KDE1207PHV1	MS.A.GN	●	12	0.16	1.9	3300	27	0.11	31.5	50
KDE1207PHV2	MS.A.GN	●	12	0.09	1.1	2800	23	0.09	26.5	50
KDE1207PHV3	MS.A.GN	●	12	0.05	0.6	2300	19	0.07	21.5	50
KDE2407PHV1	MS.A.GN	●	24	0.086	2.1	3300	27	0.11	31.5	52
KDE2407PHV2	MS.A.GN	●	24	0.054	1.3	2800	23	0.09	26.5	52



*All model could be customized on voltage or any other requirements to fit your need.

*Specifications subject to change without notice. Please Visit SUNON web site at <http://www.sunon.com> for update information.

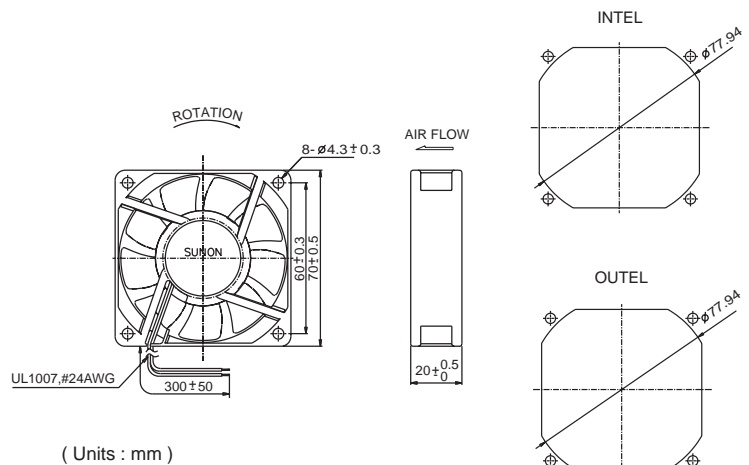
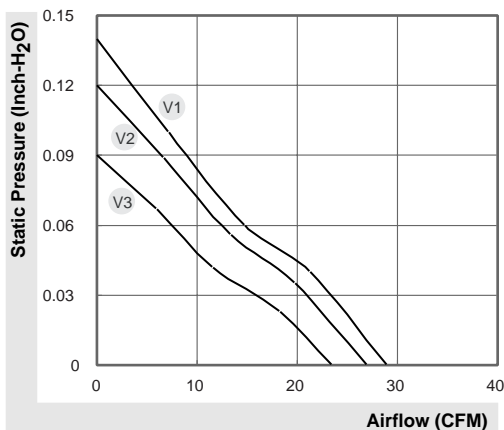
MagLev Motor Fan

23.5~29 CFM



Model	P/N	Bearing ● VAPO ⊙ 2BALL	Rating Voltage (VDC)	Power Current (AMP)	Power Consumption (WATTS)	Speed (RPM)	Air Flow (CFM)	Static Pressure (Inch-H ₂ O)	Noise (dBA)	Weight (g)
KDE1207PKV1	13.MS.A.GN	●	12	0.12	1.4	3200	29.0	0.14	33	66
KDE1207PKV2	13.MS.A.GN	●	12	0.10	1.2	2900	27.0	0.12	30	66
KDE1207PKV3	13.MS.A.GN	●	12	0.07	0.8	2600	23.5	0.09	26	66
KDE2407PKV1	13.MS.A.GN	●	24	0.07	1.7	3200	29.0	0.14	33	68
KDE2407PKV2	13.MS.A.GN	●	24	0.05	1.2	2900	27.0	0.12	30	68
KDE2407PKV3	13.MS.A.GN	●	24	0.04	1.0	2600	23.5	0.09	26	68

*High air flow products please see page 43.



*All model could be customized on voltage or any other requirements to fit your need.

*Specifications subject to change without notice. Please Visit SUNON web site at <http://www.sunon.com> for update information.

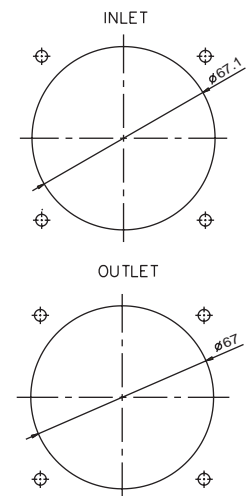
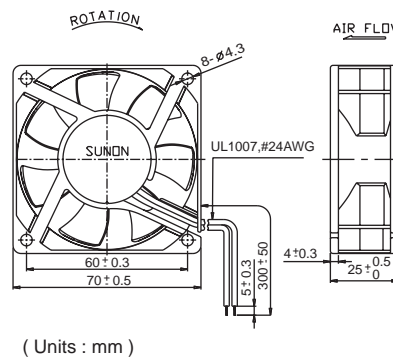
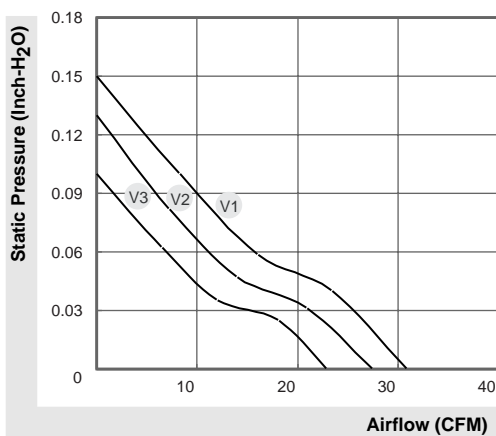
MagLev Motor Fan

24~31 CFM



Model	P/N	Bearing ● VAPO ⊙ 2BALL	Rating Voltage (VDC)	Power Current (AMP)	Power Consumption (WATTS)	Speed (RPM)	Air Flow (CFM)	Static Pressure (Inch-H ₂ O)	Noise (dBA)	Weight (g)
KDE1207PTV1	13.MS.A.GN	●	12	0.12	1.4	3200	31	0.15	32	70
KDE1207PTV2	13.MS.A.GN	●	12	0.09	1.1	2900	28	0.13	29	70
KDE1207PTV3	13.MS.A.GN	●	12	0.06	0.7	2500	24	0.10	25	70
KDE2407PTV1	13.MS.A.GN	●	24	0.06	1.4	3200	31	0.15	32	72
KDE2407PTV2	13.MS.A.GN	●	24	0.05	1.2	2900	28	0.13	29	72
KDE2407PTV3	13.MS.A.GN	●	24	0.04	1.0	2500	24	0.10	25	72

*High air flow products please see page 44.



*All model could be customized on voltage or any other requirements to fit your need.

*Specifications subject to change without notice. Please Visit SUNON web site at <http://www.sunon.com> for update information.

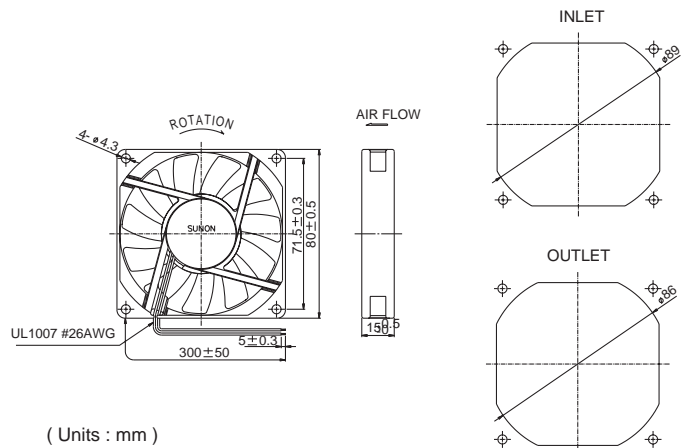
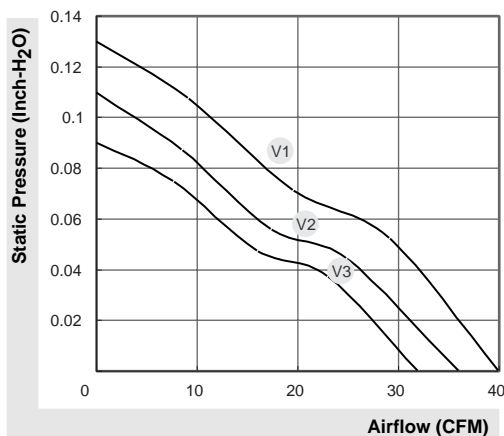
MagLev Motor Fan

32~40 CFM



Model	P/N	Bearing ● VAPO ⊙ 2BALL	Rating Voltage (VDC)	Power Current (AMP)	Power Consumption (WATTS)	Speed (RPM)	Air Flow (CFM)	Static Pressure (Inch-H ₂ O)	Noise (dBA)	Weight (g)
KDE1208PHV1	13.MS.A.GN	●	12	0.20	2.4	3000	40	0.13	34	68
KDE1208PHV2	13.MS.A.GN	●	12	0.13	1.6	2700	36	0.11	31	68
KDE1208PHV3	13.MS.A.GN	●	12	0.10	1.2	2400	32	0.09	28	68
KDE2408PHV1	13.MS.A.GN	●	24	0.09	2.2	3000	40	0.13	34	68
KDE2408PHV2	13.MS.A.GN	●	24	0.08	1.9	2700	36	0.11	31	68
KDE2408PHV3	13.MS.A.GN	●	24	0.075	1.8	2400	32	0.09	28	68

*High air flow products please see page 45.



*All model could be customized on voltage or any other requirements to fit your need.

*Specifications subject to change without notice. Please Visit SUNON web site at <http://www.sunon.com> for update information.

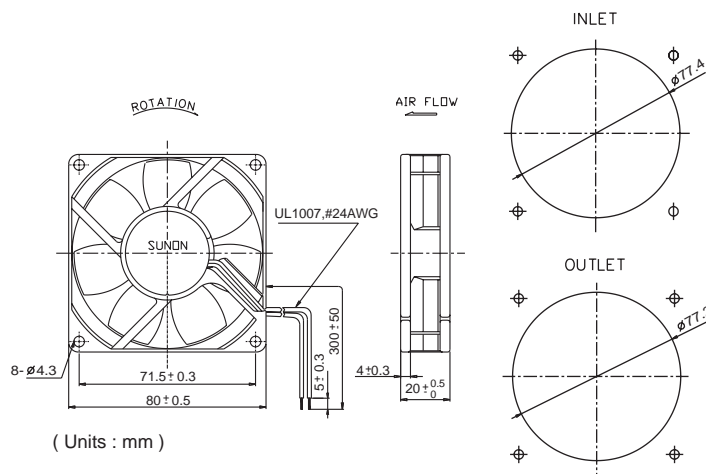
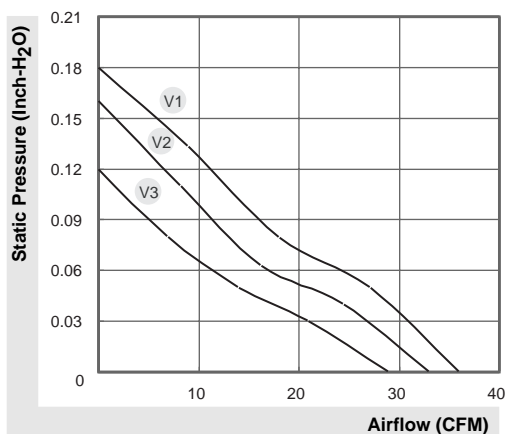
MagLev Motor Fan

29~36 CFM



Model	P/N	Bearing ● VAPO ⊙ 2BALL	Rating Voltage (VDC)	Power Current (AMP)	Power Consumption (WATTS)	Speed (RPM)	Air Flow (CFM)	Static Pressure (Inch-H ₂ O)	Noise (dBA)	Weight (g)
KDE1208PKV1	13.MS.A.GN	●	12	0.13	1.6	3200	36	0.18	38	72
KDE1208PKV2	13.MS.A.GN	●	12	0.10	1.2	2900	33	0.16	35	72
KDE1208PKV3	13.MS.A.GN	●	12	0.07	0.8	2500	29	0.12	30	72
KDE2408PKV1	13.MS.A.GN	●	24	0.07	1.7	3200	36	0.18	38	72
KDE2408PKV2	13.MS.A.GN	●	24	0.05	1.2	2900	33	0.16	35	72
KDE2408PKV3	13.MS.A.GN	●	24	0.04	1.0	2500	29	0.12	30	72

*High air flow products please see page 46.



*All model could be customized on voltage or any other requirements to fit your need.

*Specifications subject to change without notice. Please Visit SUNON web site at <http://www.sunon.com> for update information.

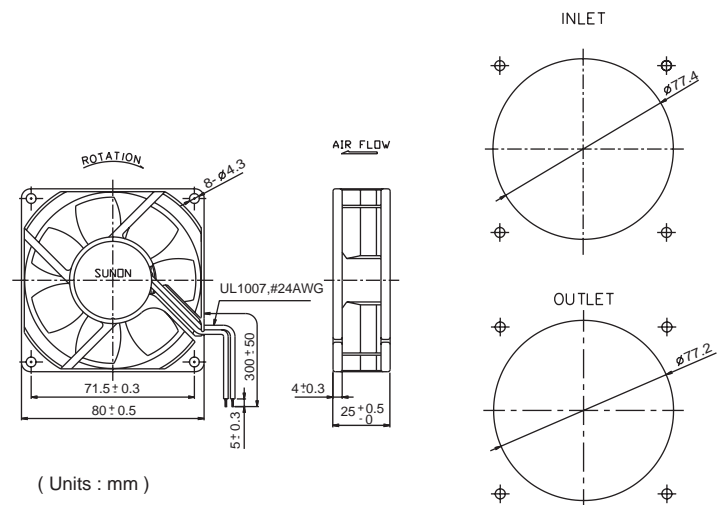
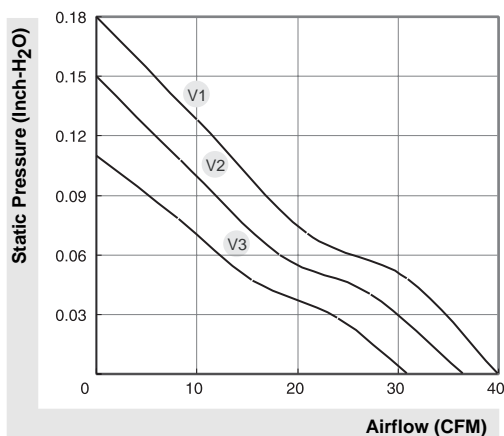
MagLev Motor Fan

31~40 CFM



Model	P/N	Bearing ● VAPO ⊙ 2BALL	Rating Voltage (VDC)	Power Current (AMP)	Power Consumption (WATTS)	Speed (RPM)	Air Flow (CFM)	Static Pressure (Inch-H ₂ O)	Noise (dBA)	Weight (g)
KDE1208PTV1	13.MS.A.GN	●	12	0.13	1.6	3000	40.0	0.18	33	80
KDE1208PTV2	13.MS.A.GN	●	12	0.10	1.2	2700	36.5	0.15	31	80
KDE1208PTV3	13.MS.A.GN	●	12	0.07	0.8	2300	31.0	0.11	26	80
KDE2408PTV1	13.MS.A.GN	●	24	0.07	1.7	3000	40.0	0.18	33	83
KDE2408PTV2	13.MS.A.GN	●	24	0.06	1.4	2700	36.5	0.15	31	83
KDE2408PTV3	13.MS.A.GN	●	24	0.04	1.0	2300	31.0	0.11	26	83

*High air flow products please see page 47.



*All model could be customized on voltage or any other requirements to fit your need.

*Specifications subject to change without notice. Please Visit SUNON web site at <http://www.sunon.com> for update information.

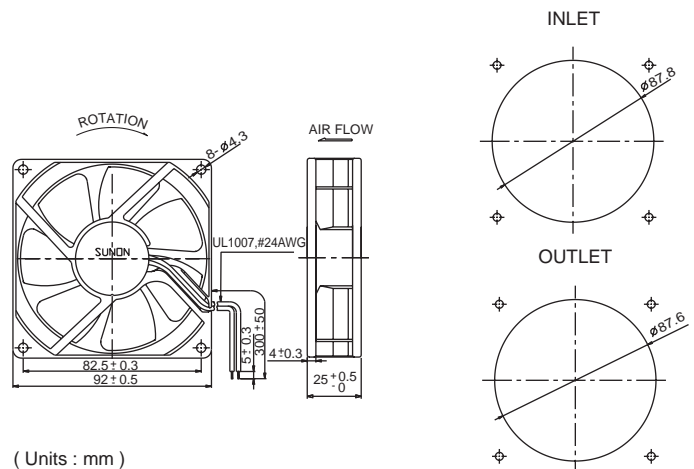
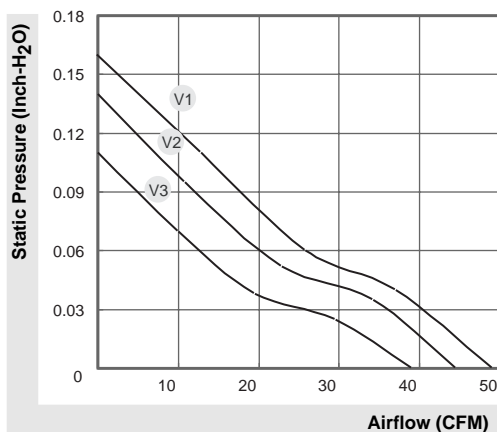
MagLev Motor Fan

39~49 CFM



Model	P/N	Bearing ● VAPO ⊙ 2BALL	Rating Voltage (VDC)	Power Current (AMP)	Power Consumption (WATTS)	Speed (RPM)	Air Flow (CFM)	Static Pressure (Inch-H ₂ O)	Noise (dBA)	Weight (g)
KDE1209PTV1	13.MS.A.GN	●	12	0.15	1.8	2800	49.0	0.16	34	95
KDE1209PTV2	13.MS.A.GN	●	12	0.12	1.4	2500	44.5	0.14	32	95
KDE1209PTV3	13.MS.A.GN	●	12	0.08	1.0	2200	39.0	0.11	28	95
KDE2409PTV1	13.MS.A.GN	●	24	0.08	1.9	2800	49.0	0.16	34	100
KDE2409PTV2	13.MS.A.GN	●	24	0.06	1.4	2500	44.5	0.14	32	100
KDE2409PTV3	13.MS.A.GN	●	24	0.05	1.2	2200	39.0	0.11	28	100

*High air flow products please see page 49.



*All model could be customized on voltage or any other requirements to fit your need.

*Specifications subject to change without notice. Please Visit SUNON web site at <http://www.sunon.com> for update information.