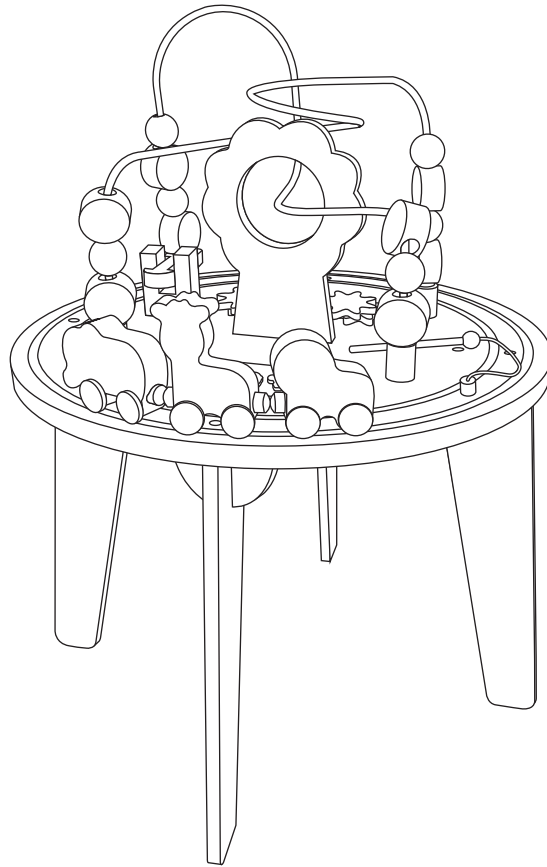


Activity Table

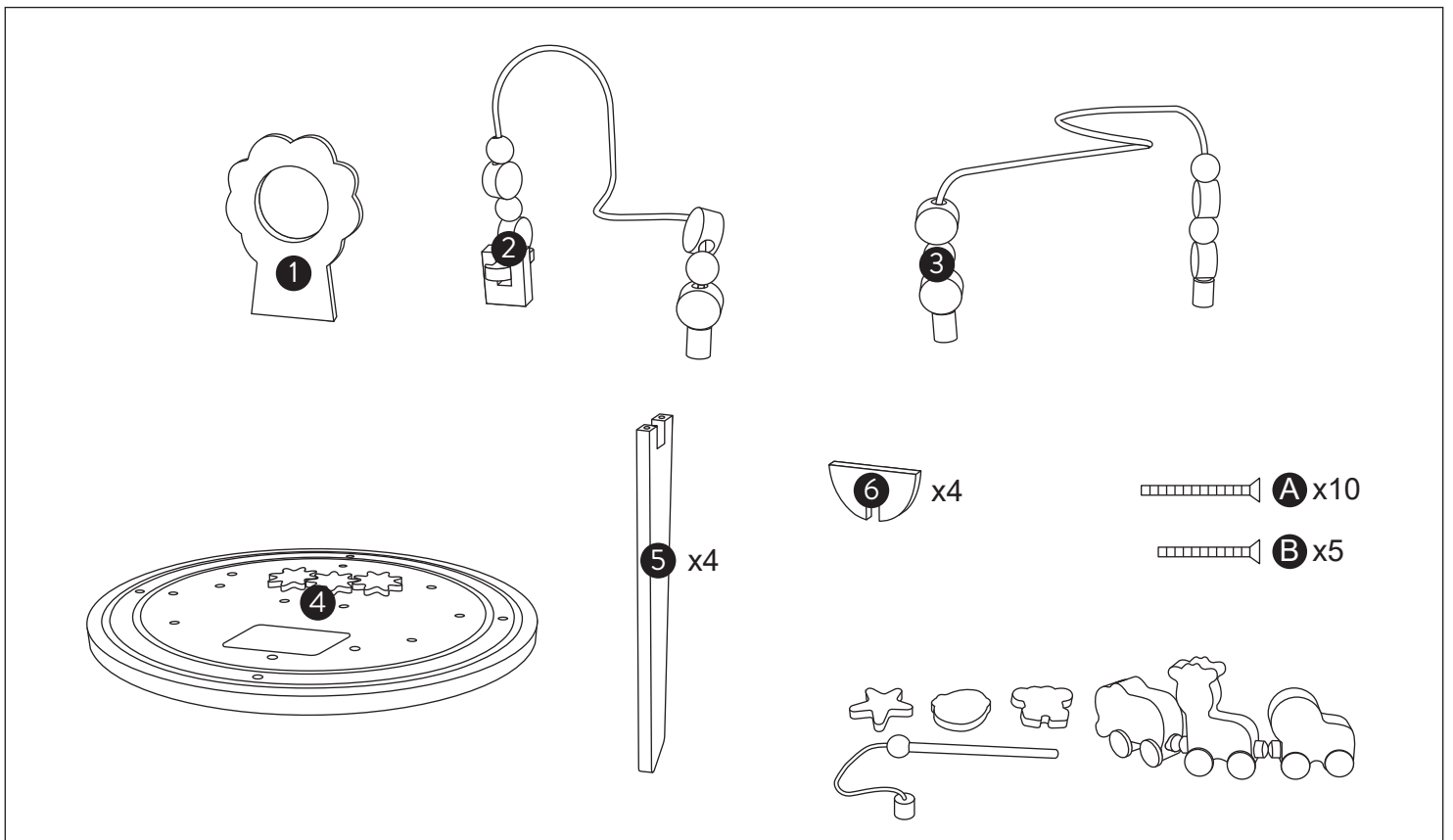
Assembly instructions

Please retain this information for future reference

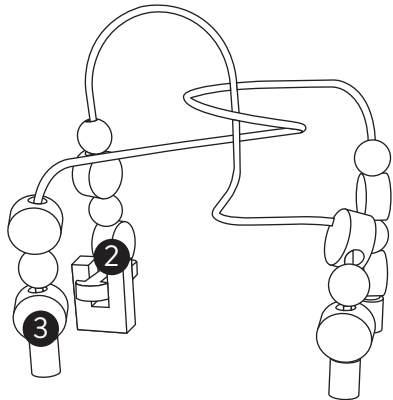
Adult assembly by hand screwdriver required.
Adult assembly required, small parts and sharp point may be present prior to assembly



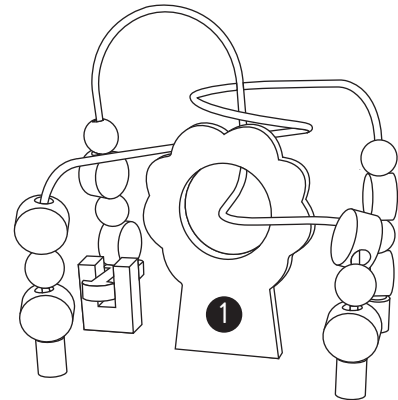
CE UK CA  1+



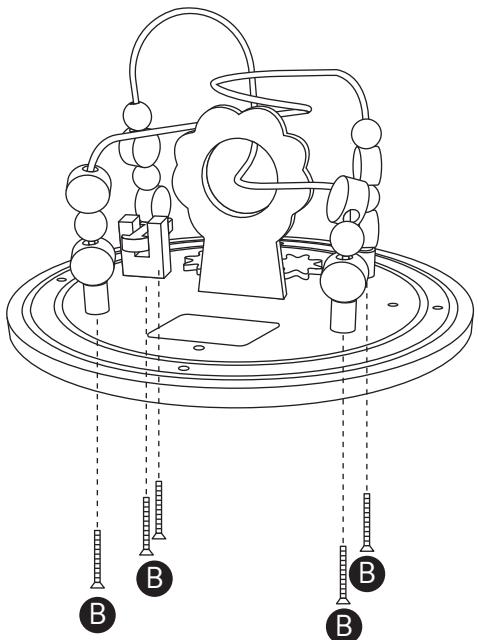
1



2

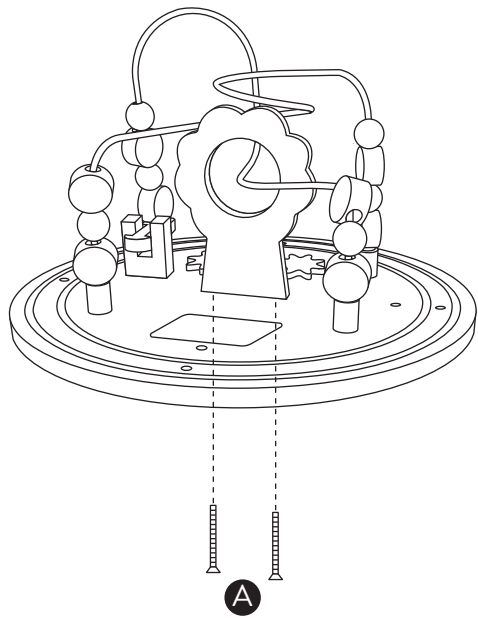


3



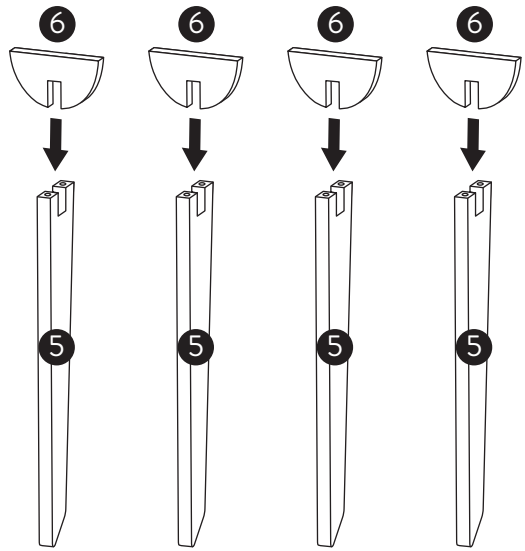
Bx5

4

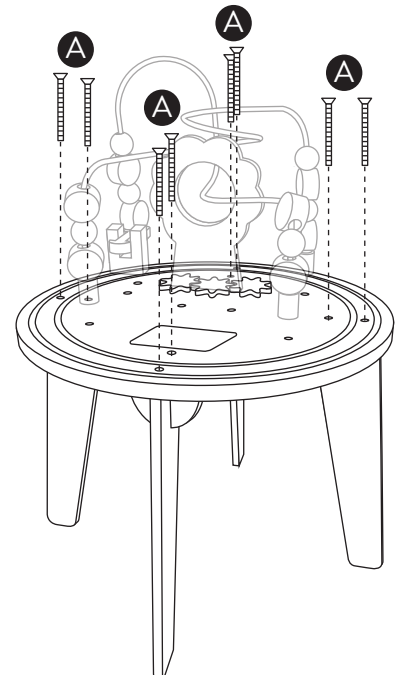


Ax2

5



6



Ax8