

CAPACITY 950 LITRE

SCALE 0.070

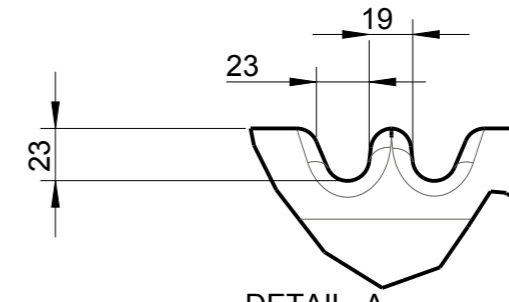
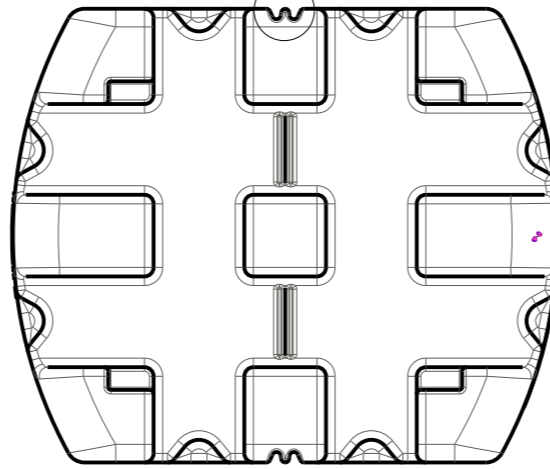
SCALE 0.070

- Notes:
1. Material:
 2. General
 3. Colour:
 4. Symmetry may be assumed
 5. Weight:.....kgs
 6. All dimensions in mm

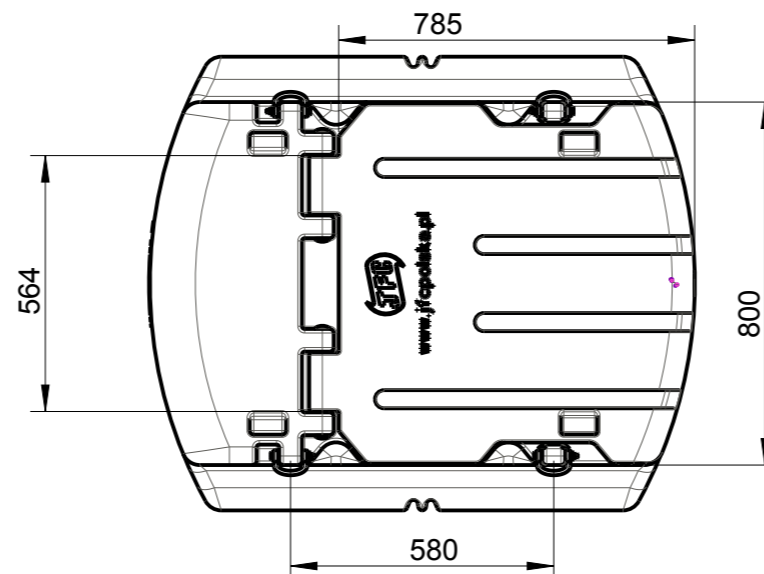
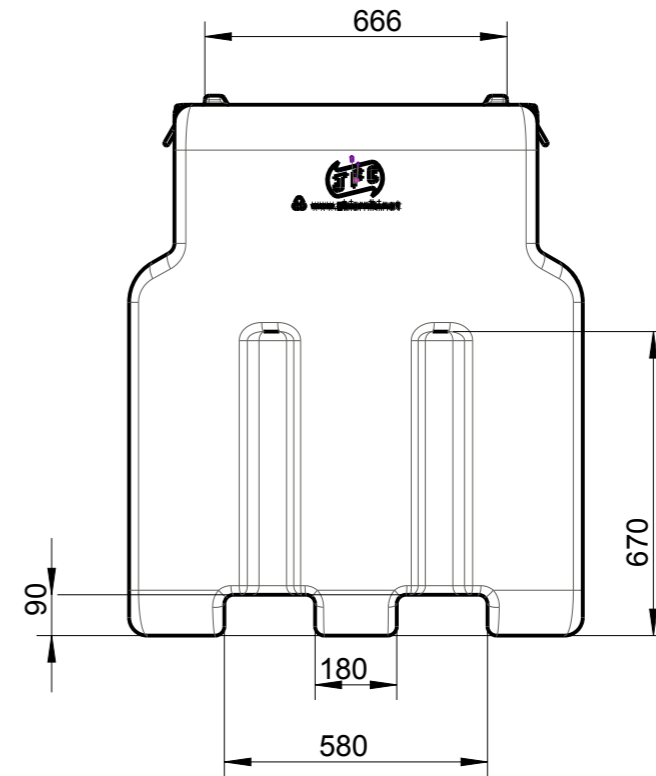
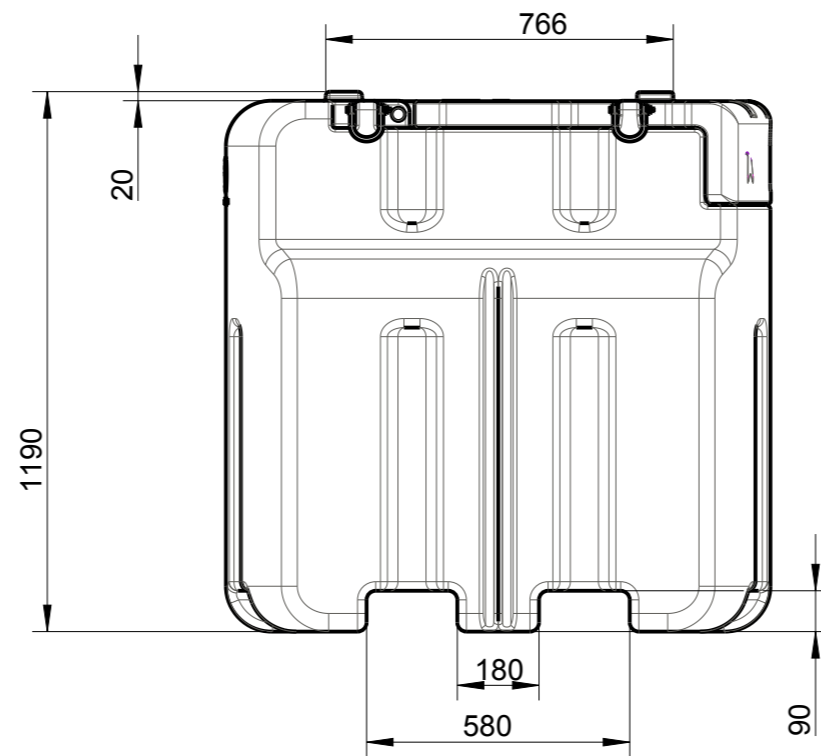
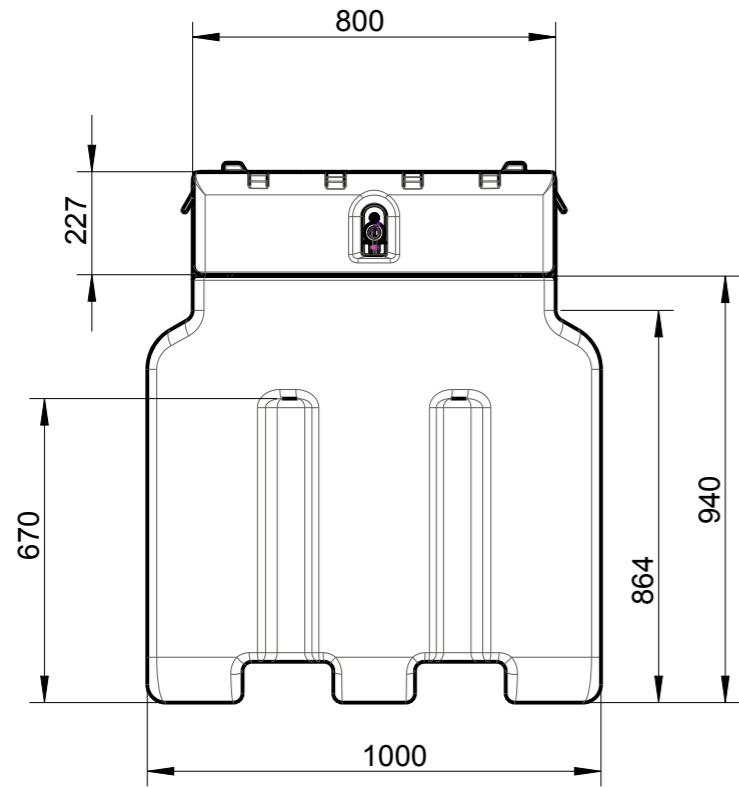
Rev.	Description	Date
004		
003		
002		
001		
000	Initial Drawing	00/00/00

JFC	JFC Polska Sp. Z o.o.						
	Description: TT- 950 ZBIORNIK MOBILNY (TRUCK TANK)						
Date:	Feb-02-17	Drawn by:	T. SAWCZUK	Sheet:	1 of 3	Part Number:	JFC1000-TANK-N2
Scale:	Not To Scale	Approved by:	---	Drw. Rev.:	000	Drawing Number:	JFC1000-TANK-N2
<small>This document and its informational content are strictly confidential and are the sole property of JFC Polska Sp. Z o.o. and JFC Manufacturing Co. Ltd. and may not be copied or reproduced in any form, without prior written consent of JFC Polska Sp. Z o.o. and JFC Manufacturing Co. Ltd.</small>							

SEE DETAIL A



DETAIL A
SCALE 0.300

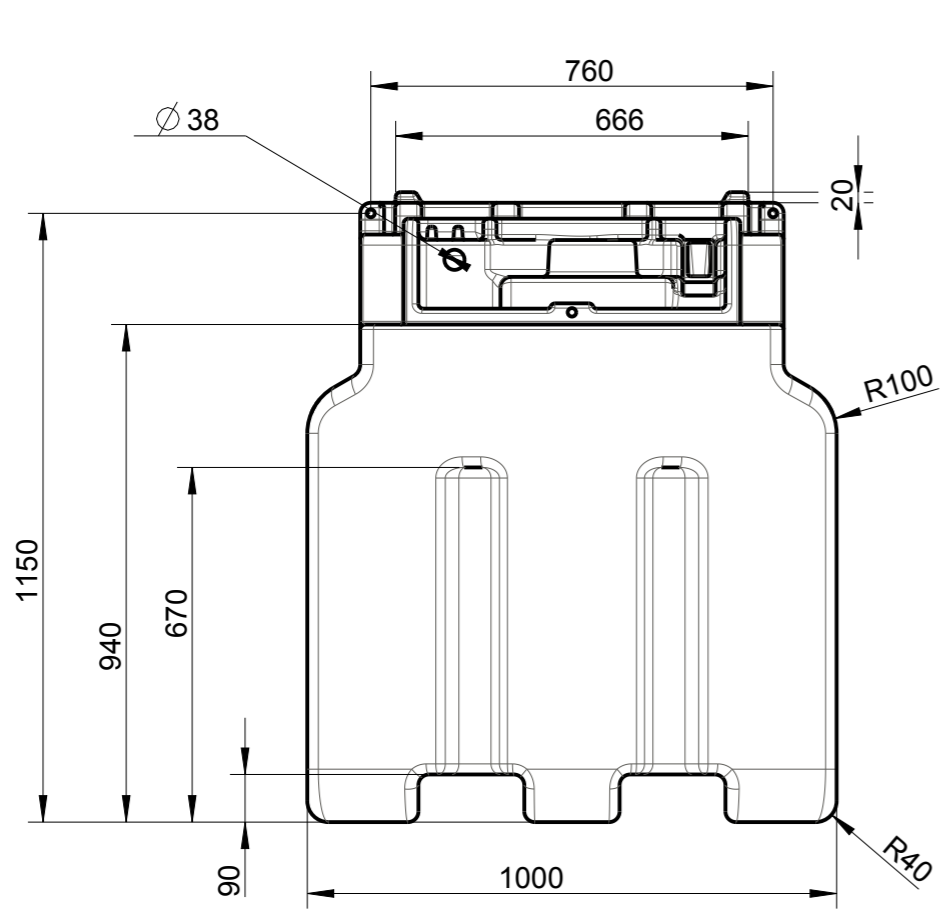


Notes:

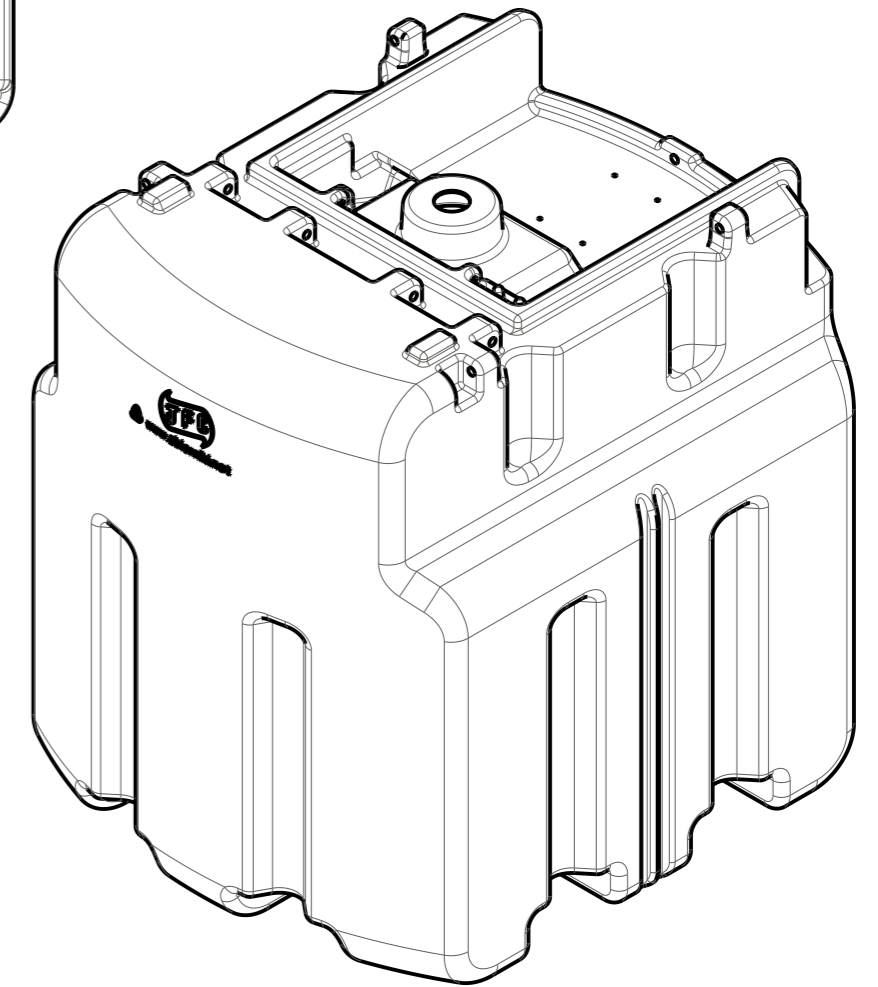
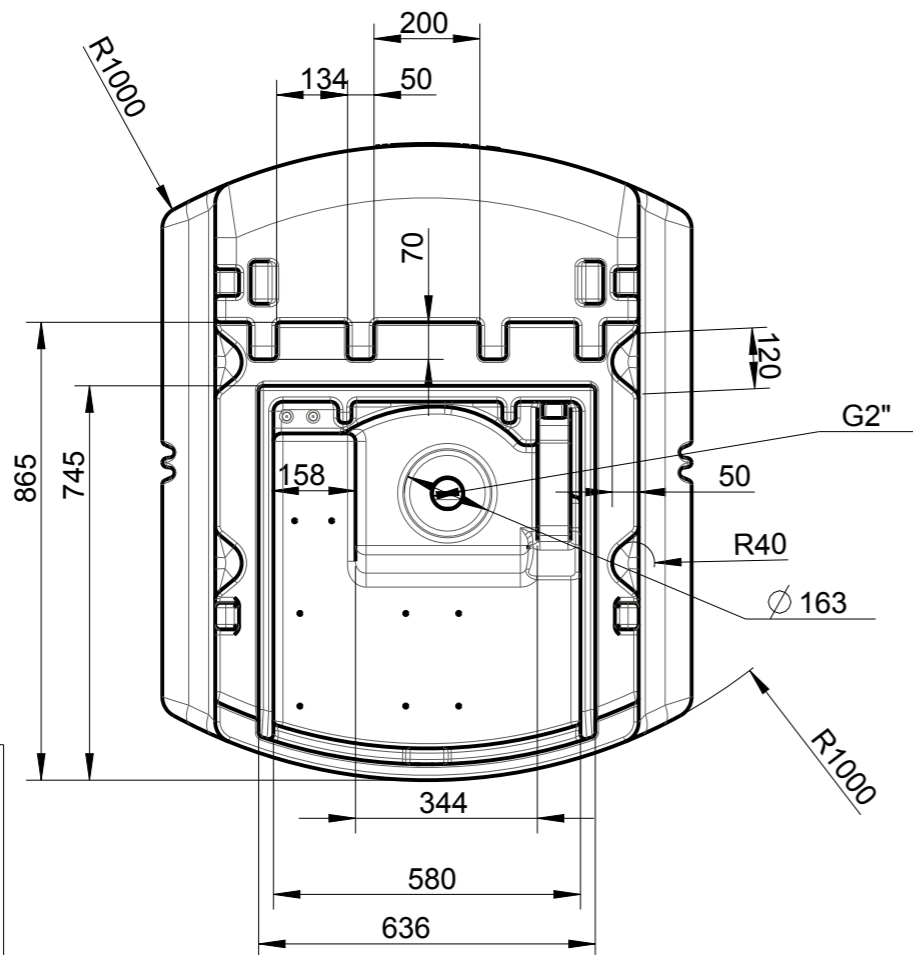
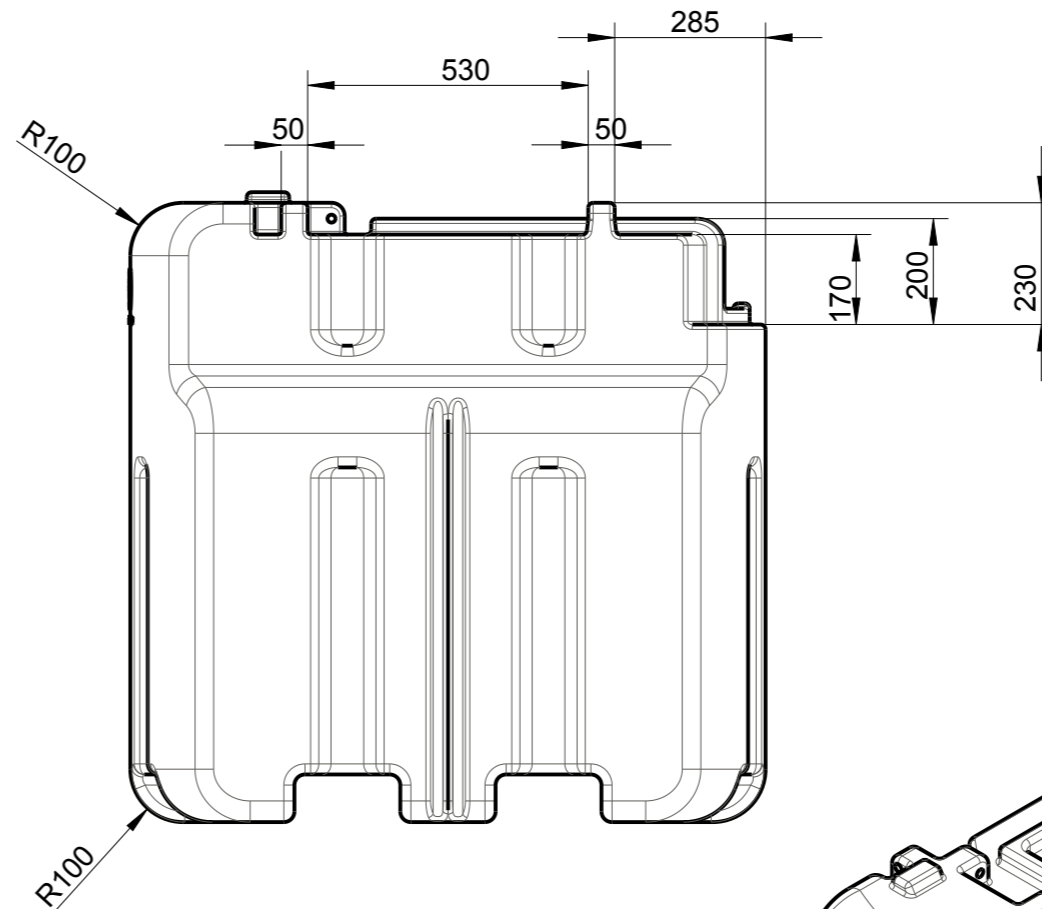
1. Material:
2. General
3. Colour:
4. Symmetry may be assumed
5. Weight:.....kgs
6. All dimensions in mm

Rev.	Description	Date
004		
003		
002		
001		
000	Initial Drawing	00/00/00

	JFC Polska Sp. Z o.o.						
	Description: TT- 950 ZBIORNIK MOBILNY (TRUCK TANK)						
Date:	Feb-02-17	Drawn by:	T. SAWCZUK	Sheet:	2 of 3	Part Number:	JFC1000-TANK-N2
Scale:	Not To Scale	Approved by:	---	Drw. Rev.:	000	Drawing Number:	JFC1000-TANK-N2
<small>This document and its informational content are strictly confidential and are the sole property of JFC Polska Sp. Z o.o. and JFC Manufacturing Co. Ltd. and may not be copied or reproduced in any form, without prior written consent of JFC Polska Sp. Z o.o. and JFC Manufacturing Co. Ltd.</small>							



SCALE 0.070



SCALE 0.080

- Notes:
1. Material:
 2. General
 3. Colour:
 4. Symmetry may be assumed
 5. Weight:.....kgs
 6. All dimensions in mm

004		
003		
002		
001		
000	Initial Drawing	00/00/00
Rev.	Description	Date

	JFC Polska Sp. Z o.o.						
	Description: TT-950 ZBIORNIK MOBILNY (TRUCK TANK)						
Date:	Feb-02-17	Drawn by:	T. SAWCZUK	Sheet:	3 of 3	Part Number:	P-JFC_TT1000-C1
Scale:	Not To Scale	Approved by:	---	Drw. Rev.:	000	Drawing Number:	JFC1000-TANK-N2
<small>This document and its informational content are strictly confidential and are the sole property of JFC Polska Sp. Z o.o. and JFC Manufacturing Co. Ltd. and may not be copied or reproduced in any form, without prior written consent of JFC Polska Sp. Z o.o. and JFC Manufacturing Co. Ltd.</small>							