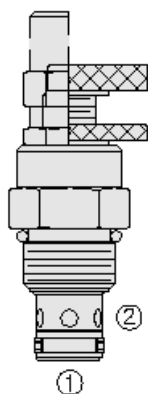




NV10-20A-0-N

Overview

www: [www.salushydraulics.pl](http://www.salushydraulics.pl)  
 e-mail: [pl@salushydraulics.pl](mailto:pl@salushydraulics.pl)  
 shop/sklep: [www.salushydraulics.pl/sklep/](http://www.salushydraulics.pl/sklep/)



**Description**

A screw-in, cartridge style, variable orifice, hydraulic flow restrictor valve

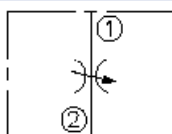
**Operation**

The NV10-20 valve increases its orifice value from fully closed to fully open with counter-clockwise adjustment rotation

**Features**

- Adjustments cannot be backed out of the valve.
- Desired settings may be locked down.
- Hardened parts for long life.
- Aluminum knob option.
- Positive shut-off.
- Linear adjustment.
- Industry-common cavity.

Symbol



Ratings

**Pressure Ratings**

Pressure rating	241 bar (3500 psi)
Proof pressure	345 bar (5000 psi)
Burst pressure	896 bar (13000 psi)

**Flow Ratings**

Flow rating	See pressure drop vs. Flow chart
Maximum internal leakage	0.05 ml/min (1 drops/min) - <b>Note:</b> At shut-off

**Temperature Ratings**

Operating fluid temperature	-40 to 100 °C (-40 to 212 °F)	- <b>Note:</b> With buna N seals
	-26 to 204 °C (-15 to 400 °F)	- <b>Note:</b> With fluorocarbon seals
	-54 to 107 °C (-65 to 225 °F)	- <b>Note:</b> With polyurethane seals
	-54 to 107 °C (-65 to 225 °F)	- <b>Note:</b> With urethane seals
Storage temperature	-40 to 70 °C (-40 to 160 °F)	
Ambient temperature	-40 to 70 °C (-40 to 160 °F)	

**Other Ratings**

Corrosion protection	960 hr salt spray per ASTM B117 (model number: GNV10-20x)
----------------------	---

Operating Parameters

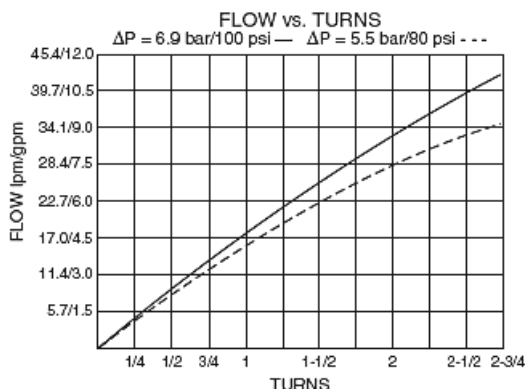
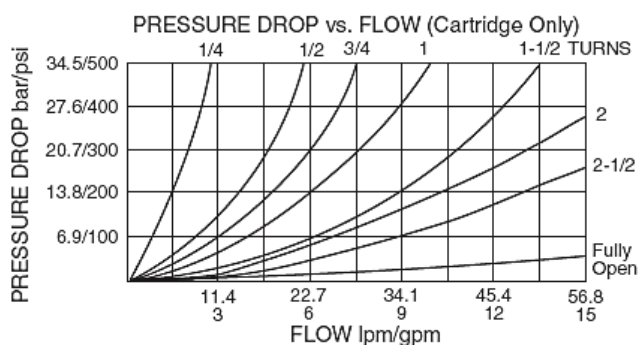
Fluids	Mineral based or synthetic hydraulic fluid with lubricating properties
Fluid viscosity range	7.4 to 420 cSt
Maximum operating contamination level	18/16/13 per iso4406

Properties

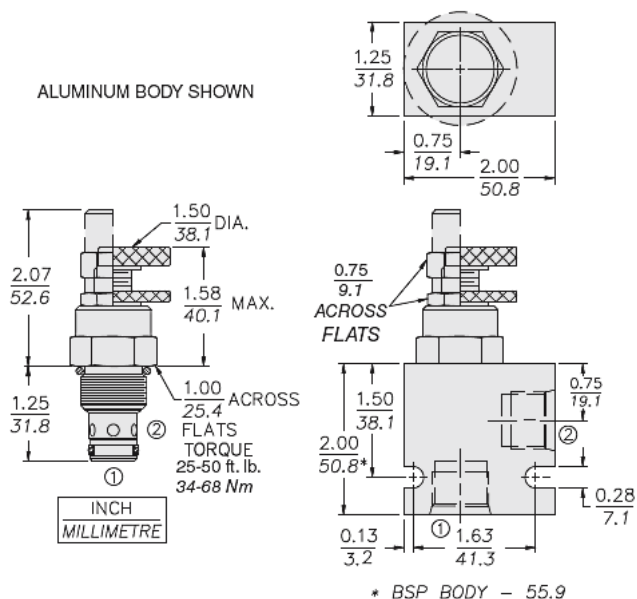
Adjustment torque	0.56 N-m (5 in-lb)	- <b>Note:</b> At 7 bar (100 psi)
	5.41 N-m (48 in-lb)	- <b>Note:</b> At 207 bar (3000 psi)
Unit weight	0.14 kg (0.30 lb)	- <b>Note:</b> Option A
Internal wetted surface area	91 cm <sup>2</sup> (14.1 in <sup>2</sup> )	



## Performance



## Dimensions



## Materials

### Materials

**Cartridge:** Weight: 0.14 kg. (0.30 lbs.); Steel with hardened work surfaces. Zinc-plated exposed surfaces; Buna N O-rings and polyester elastomer back-ups standard. Anodized aluminum knobs.

**Standard Ported Body:** Weight: 0.16 kg. (0.35 lbs.); Anodized high-strength 6061 T6 aluminum alloy, rated to 207 bar (3000 psi); Ductile iron bodies available; dimensions may differ.

## Installation Specifications

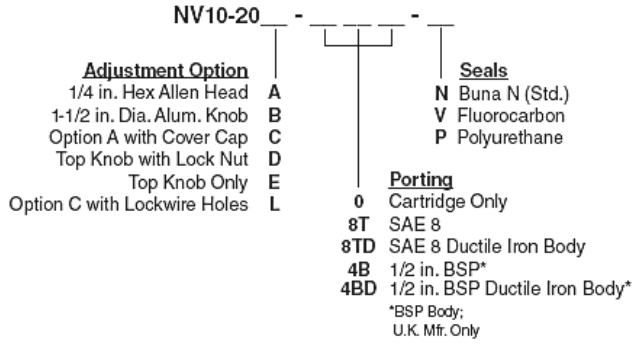
Cavity	VC10-2
Cartridge installation torque	34 to 37 N-m (25 to 27 ft-lb)
Maximum allowable torque	67.8 N-m (50 ft-lb)
Orientation restriction	None

## Accessories

Seal kit	SK10-2X-M	- Note: X = seal option
Housings		



Order Code



POSITION	CODE	DESCRIPTION
		NV10-20F-H-J
F		Adjustment Option
F	A	1/4" Hex Allen Head
F	B	1-1/2" Diameter Aluminum Knob with Aluminum Lock Knob
F	C	1/4" Hex Allen Head with Cover Cap
F	D	1-1/2" Diameter Aluminum Knob with Lock Nut
F	E	1-1/2" Diameter Aluminum Knob Only
F	L	1/4" Hex Allen Head with Cover Cap and Lockwire Holes
H		Line Body
H	0	No Body
H	6T	Aluminum SAE 6
H	8T	Aluminum SAE 8
H	6TD	Ductile Iron SAE 6
H	8TD	Ductile Iron SAE 8
H	2B	Aluminum BSPP 1/4" (2)
H	3B	Aluminum BSPP 3/8" (3)
H	4B	Aluminum BSPP 1/2" (4)
H	4BD	Ductile Iron BSPP 1/2" (4)
J		Seal
J	N	Buna-N
J	V	Fluorocarbon
J	P	Polyurethane
J	U	PPDI Urethane