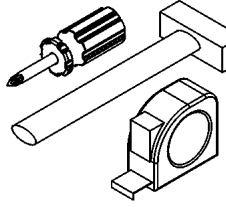
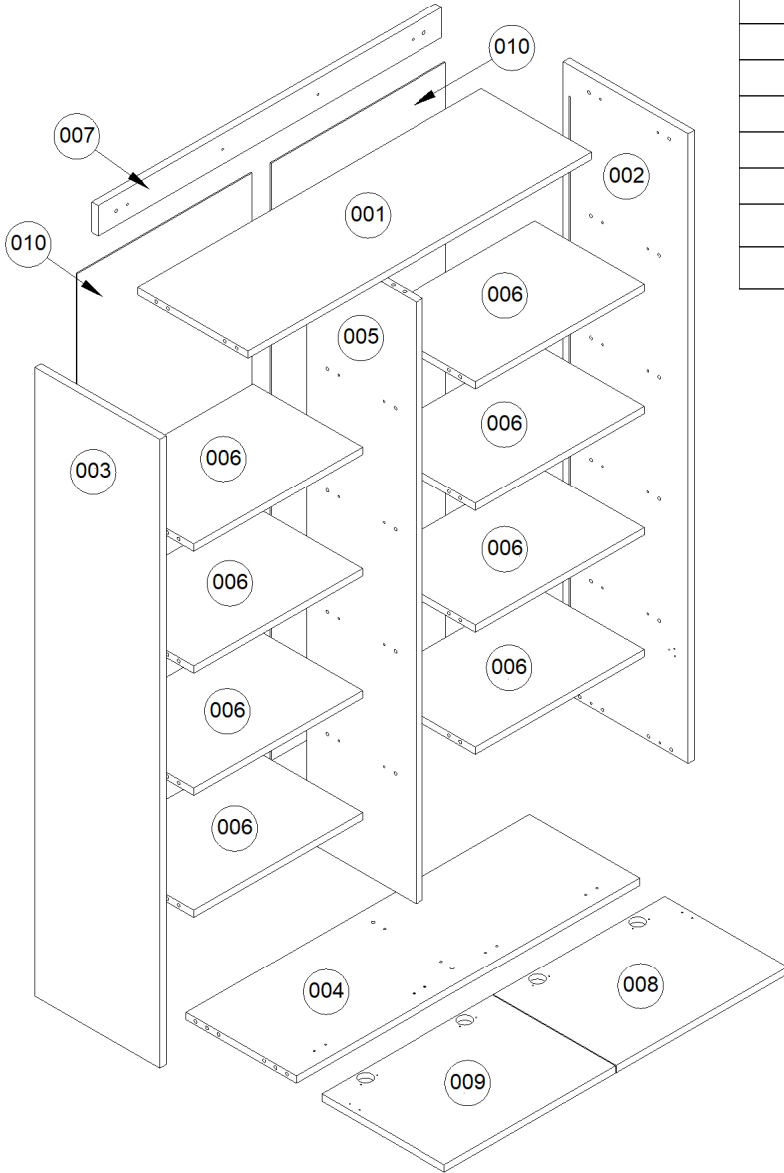


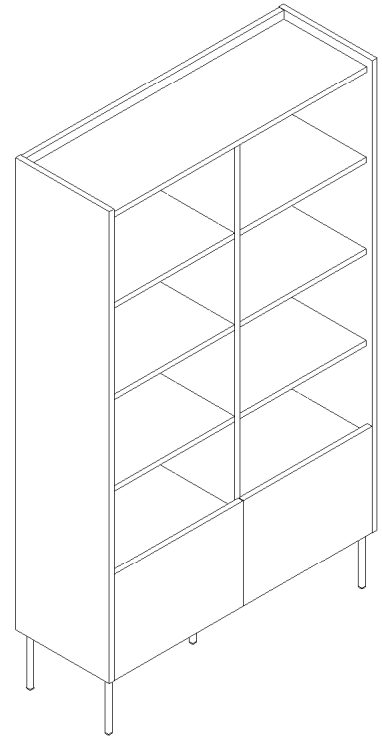
- 90 min.



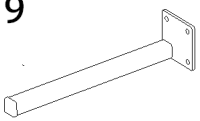
R DUO



Number	Qty	Size A	Size B
001	1	964	309
002	1	1529	350
003	1	1529	350
004	1	964	309
005	1	1462	308
006	8	473	307
007	1	74	964
008	1	344	480
009	1	344	480
010	2	490	1451

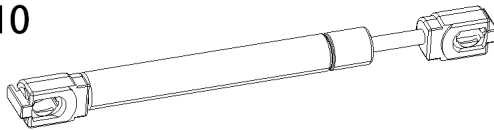


N19



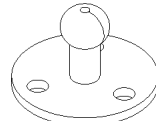
x5

S10



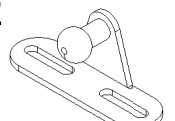
x2

S11



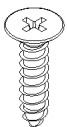
x2

S12



x2

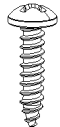
WS1



3,5x16

x30

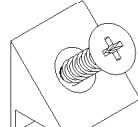
WS2



3,5x16

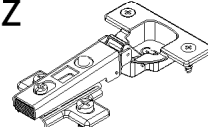
x15

ST1



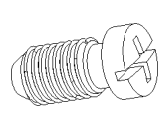
x10

ZZ



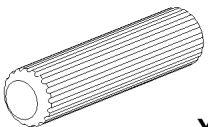
x4

E



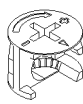
x8

K1



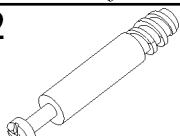
x50

M1



x48

M2



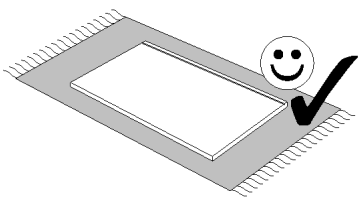
x48

M3

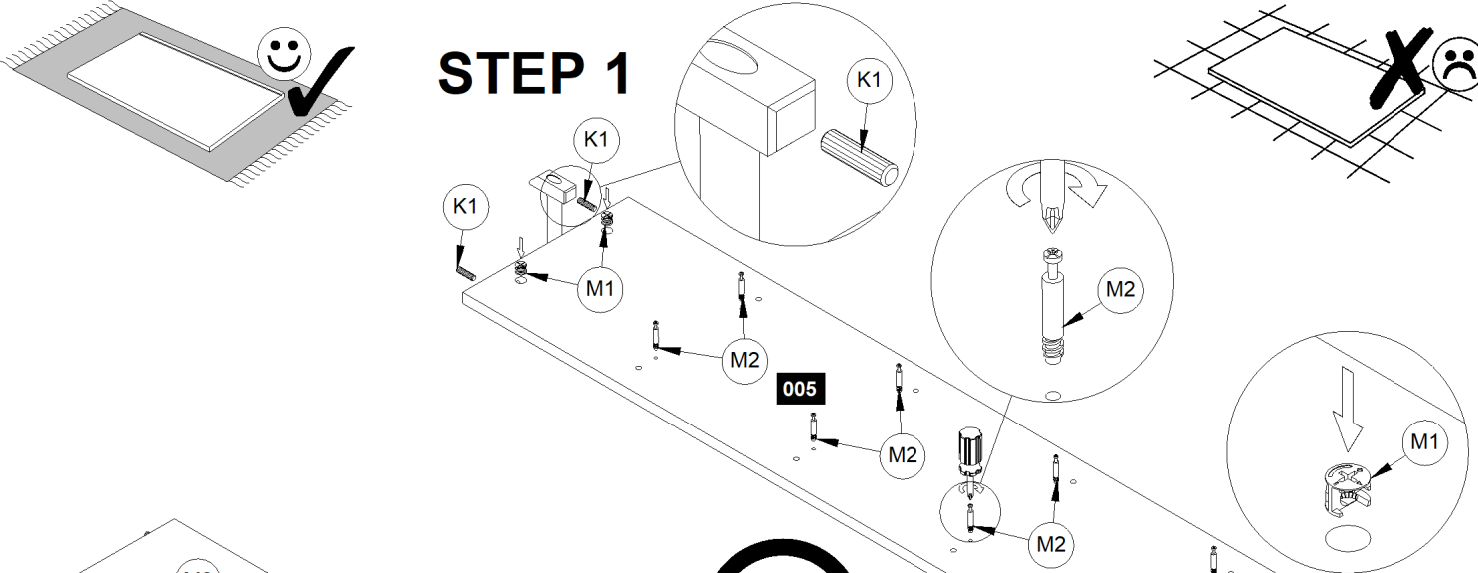
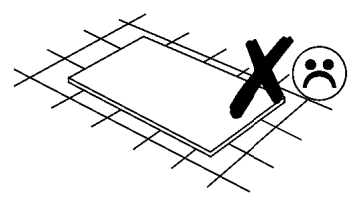


x48

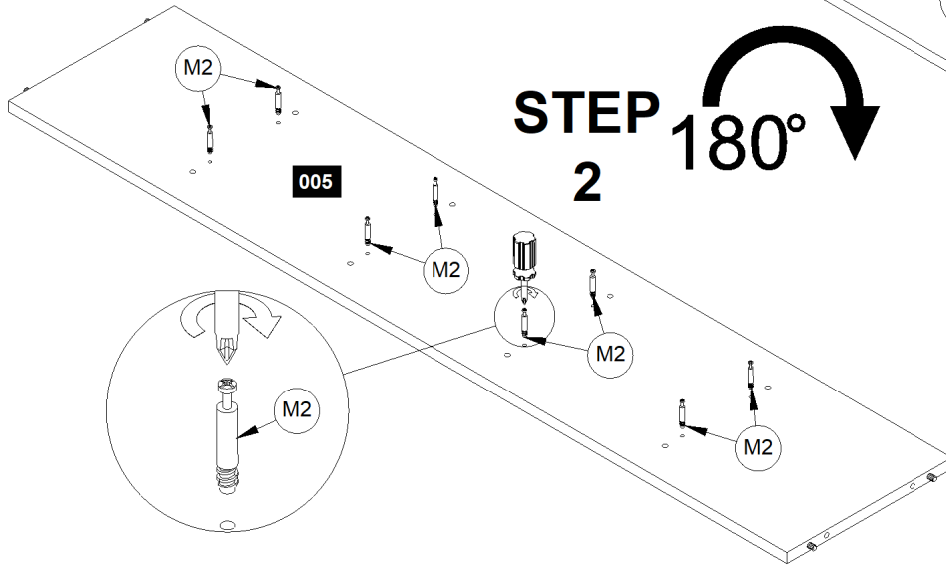
1/8



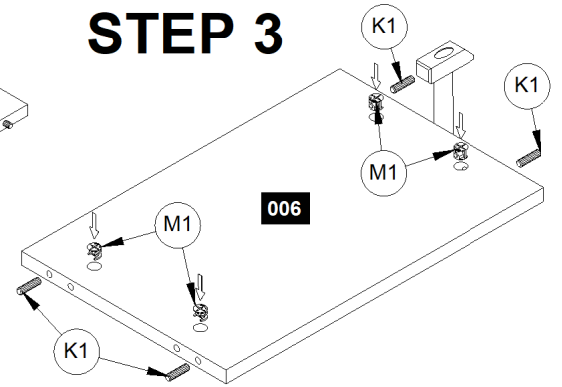
STEP 1



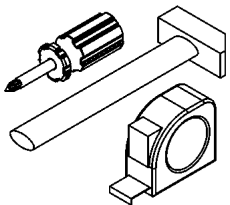
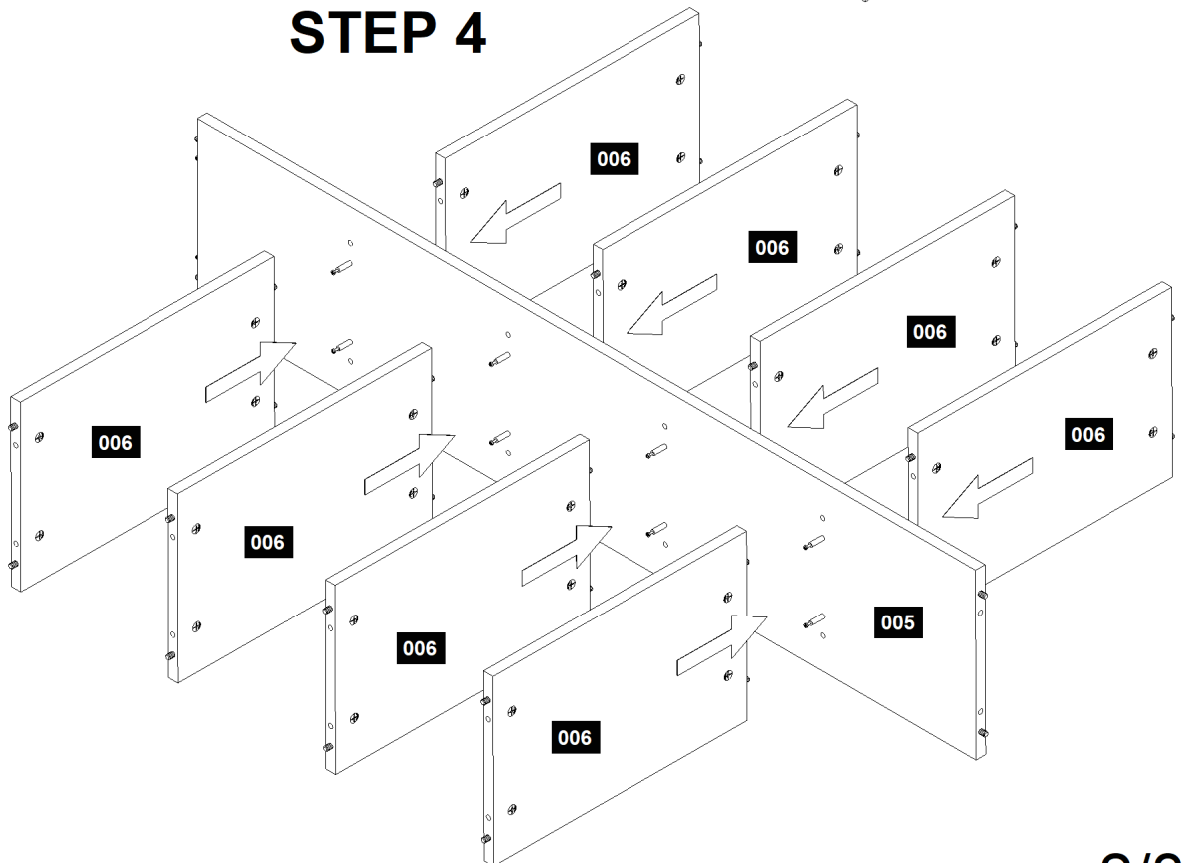
STEP 2 180°



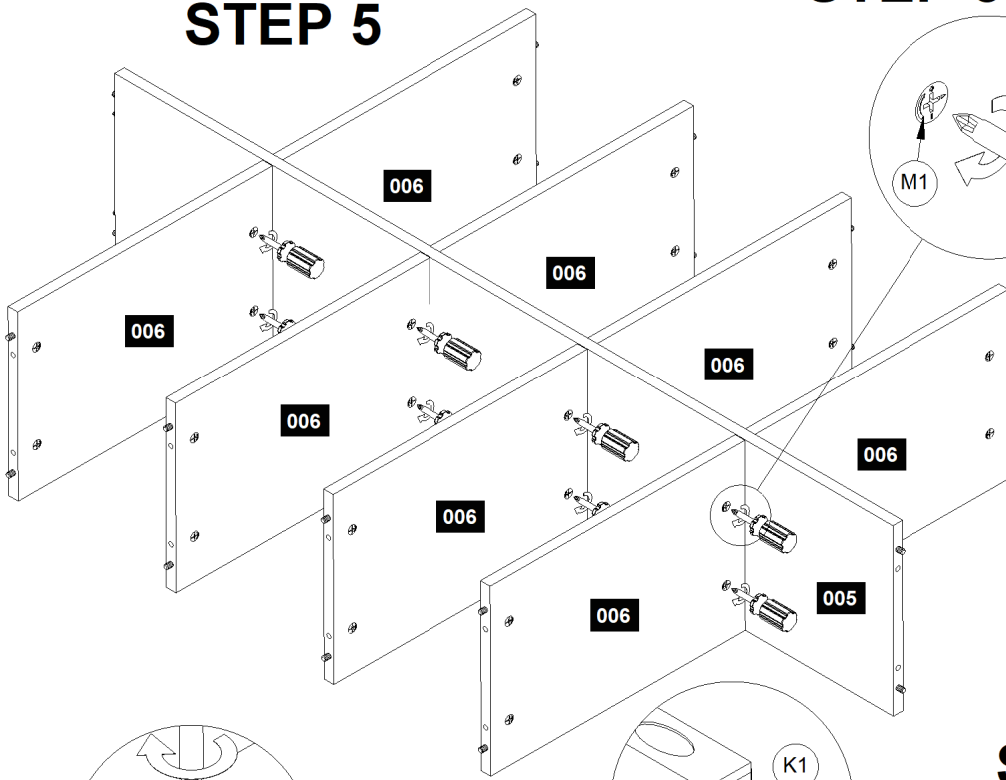
STEP 3



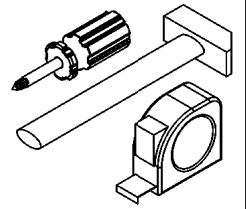
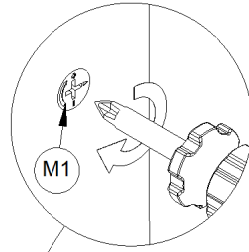
STEP 4



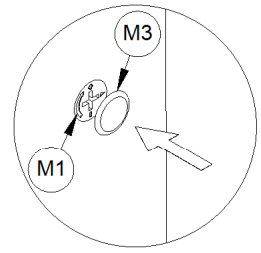
STEP 5



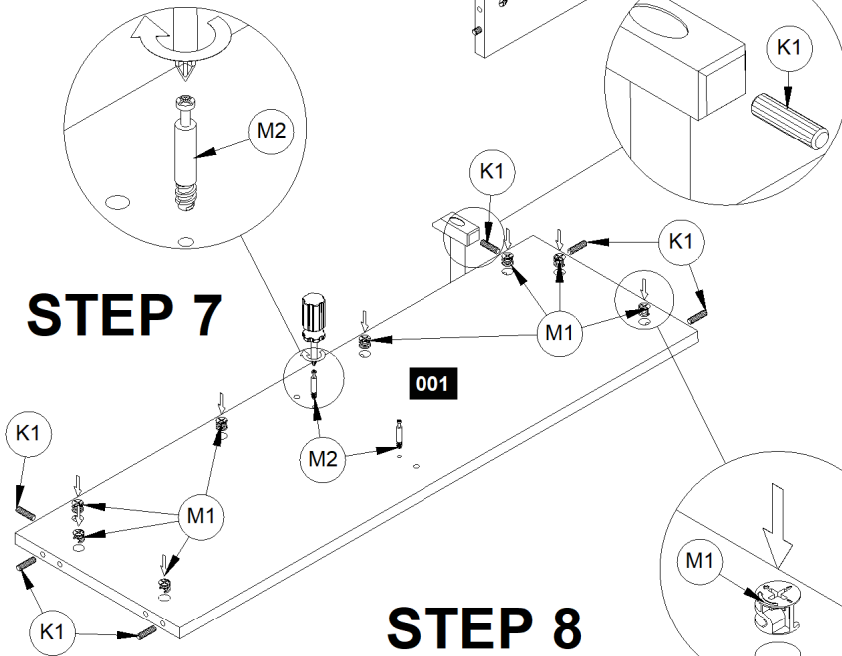
STEP 5a



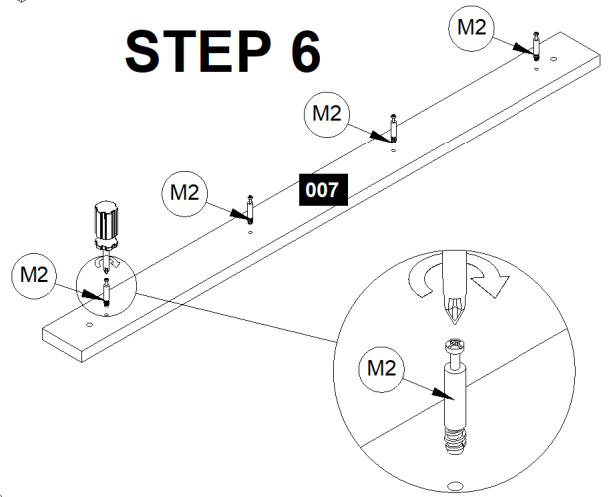
STEP 5b



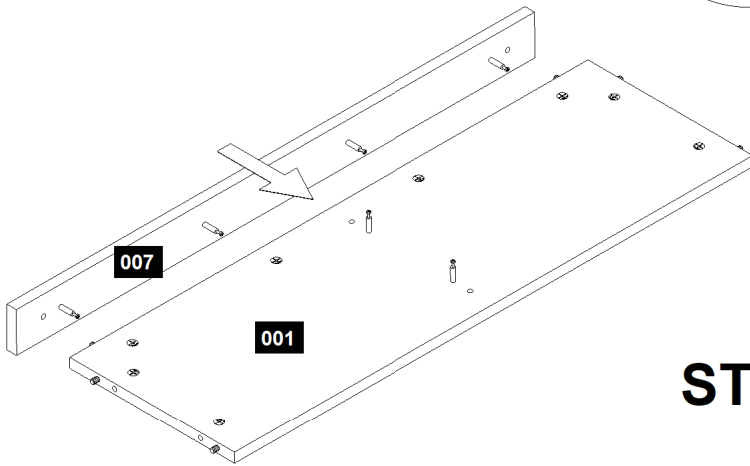
STEP 7



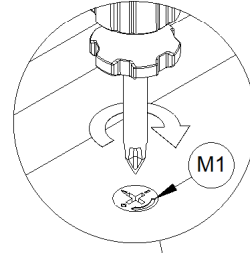
STEP 6



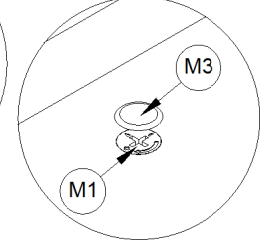
STEP 8



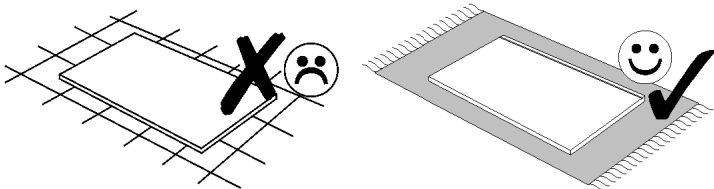
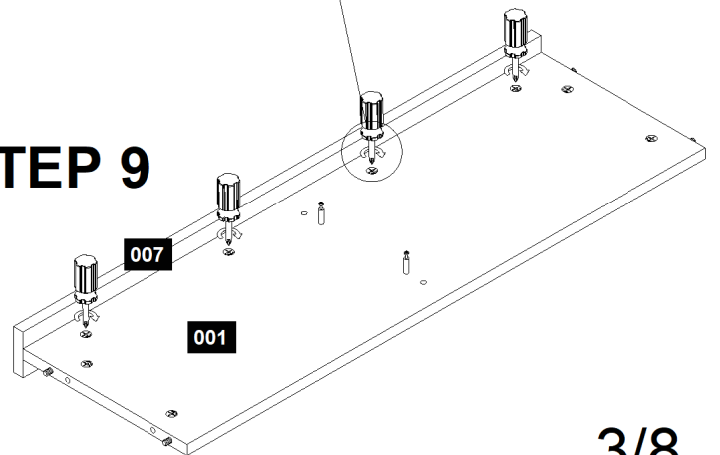
STEP 9a

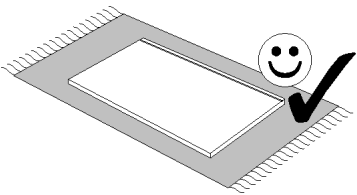


STEP 9b

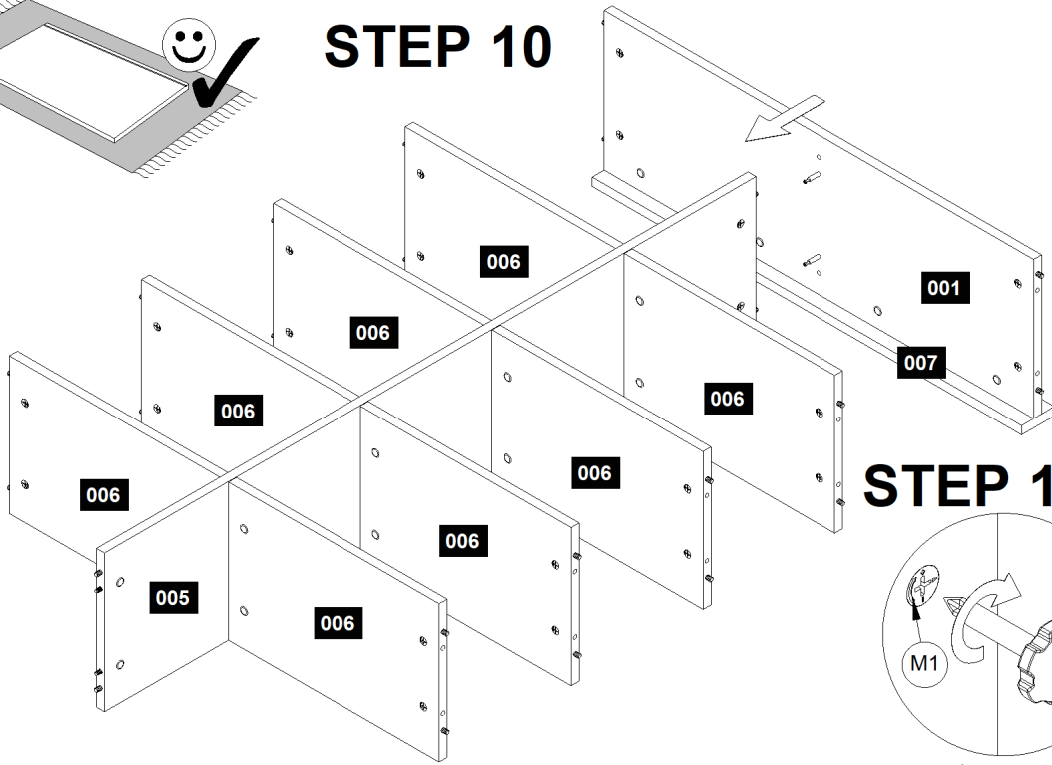
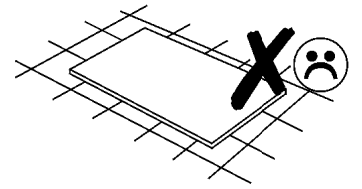


STEP 9



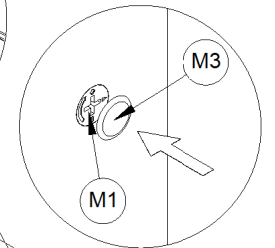
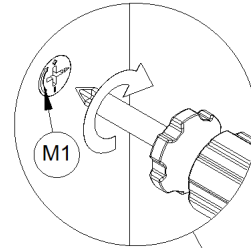


STEP 10

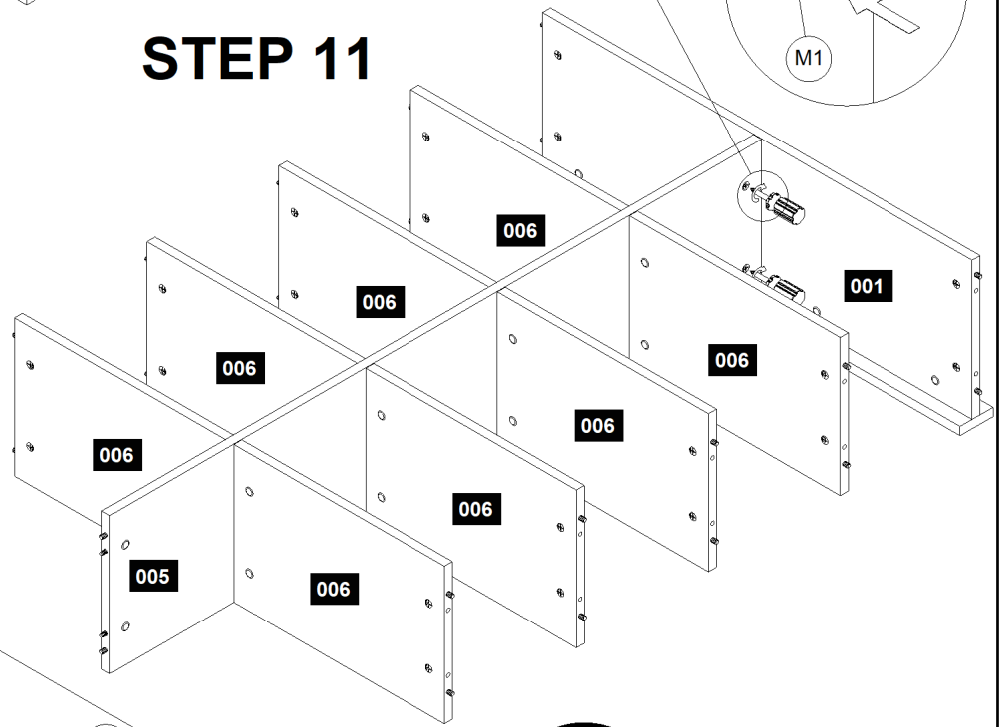


STEP 11a

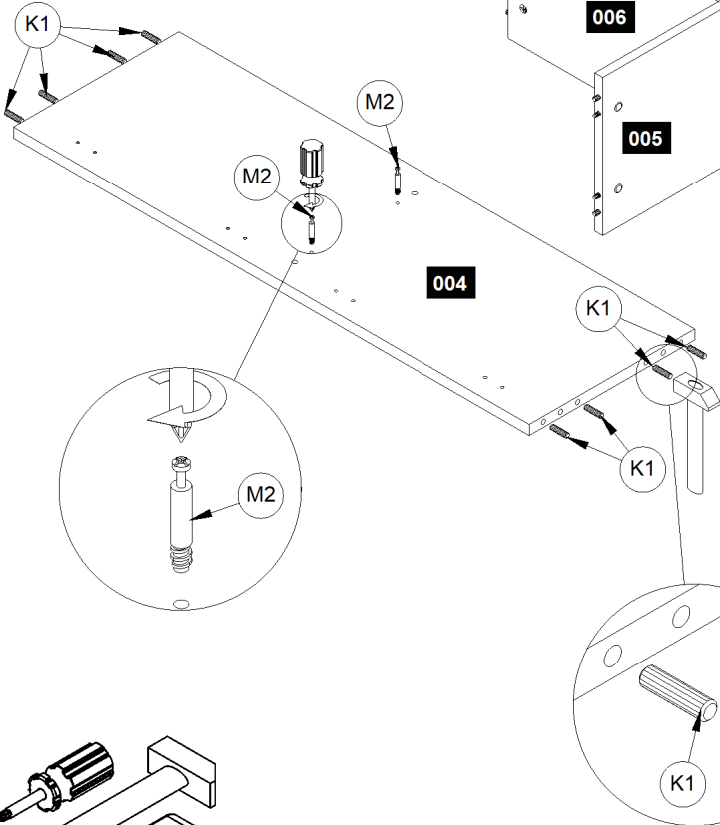
STEP 11b



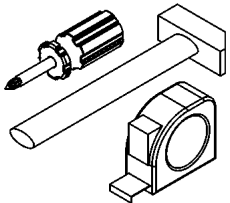
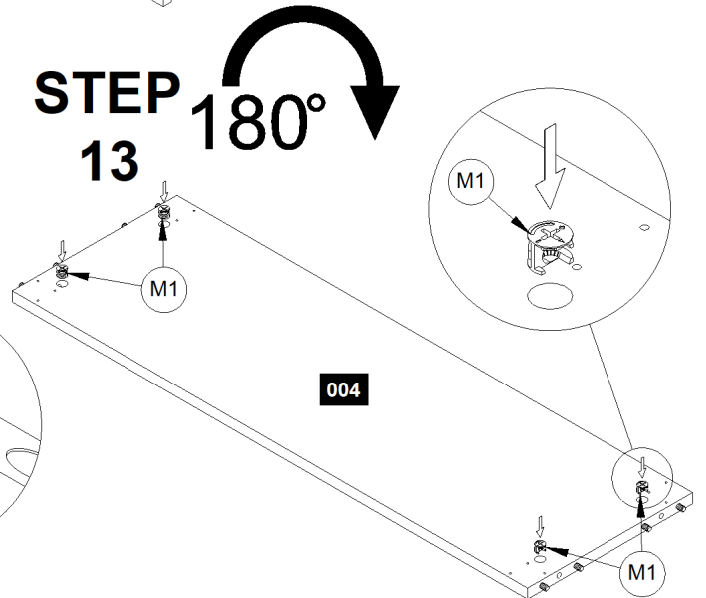
STEP 11



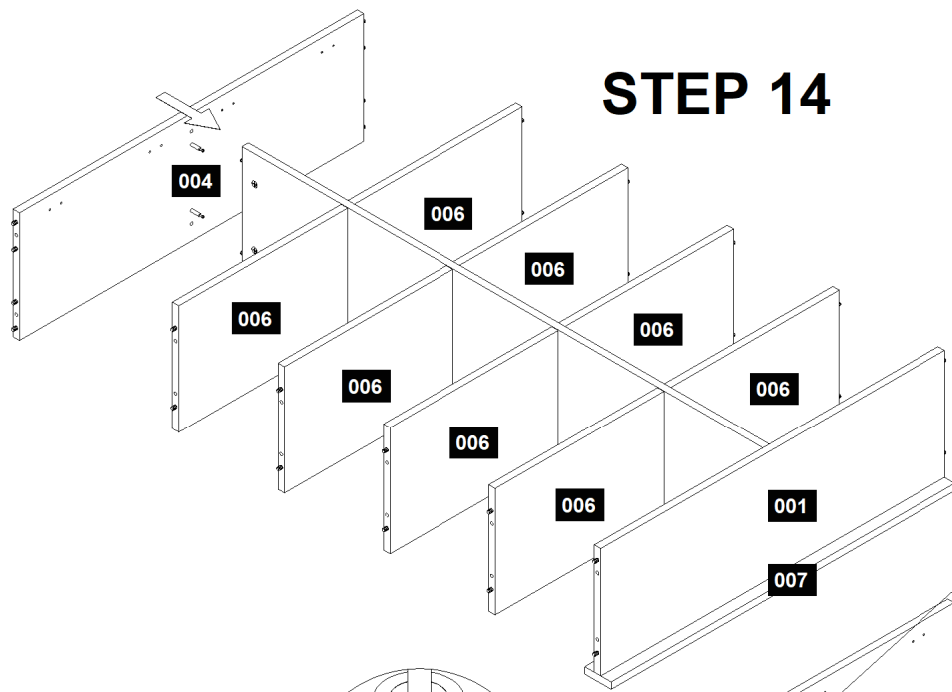
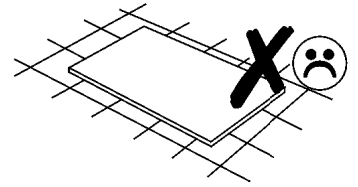
STEP 12



STEP 13 180°

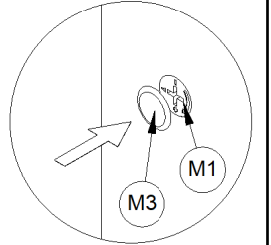
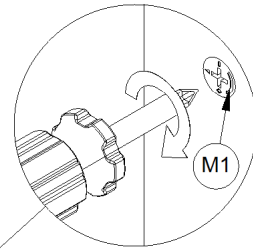


STEP 14

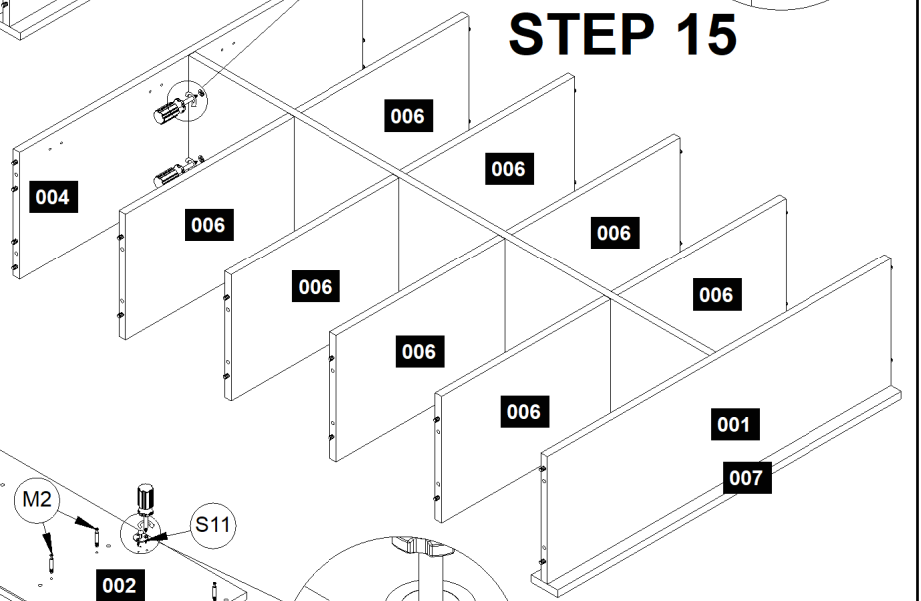


STEP 15a

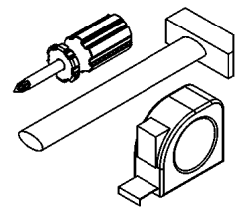
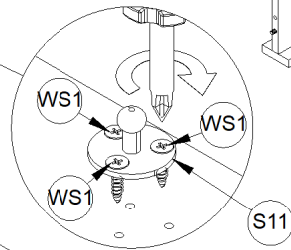
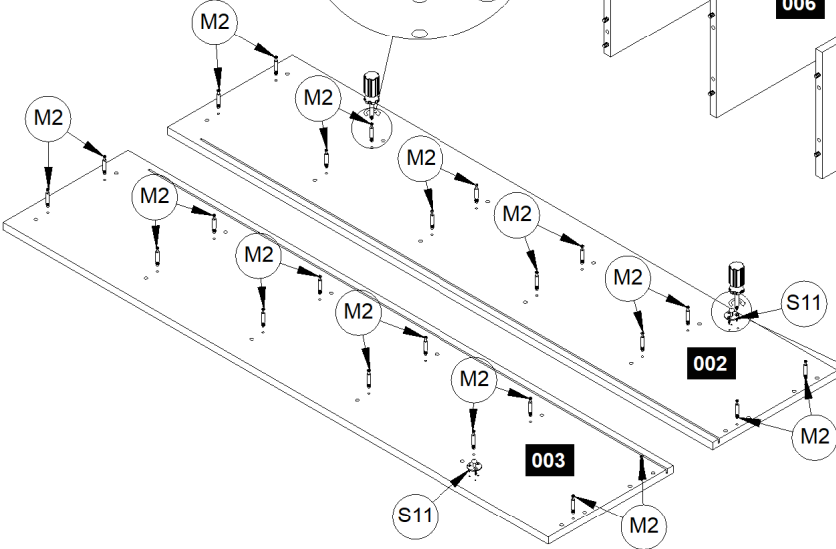
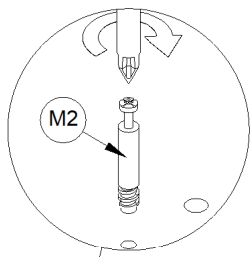
STEP 15b



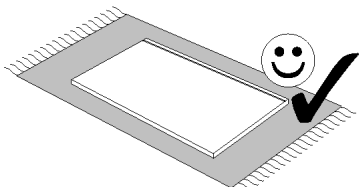
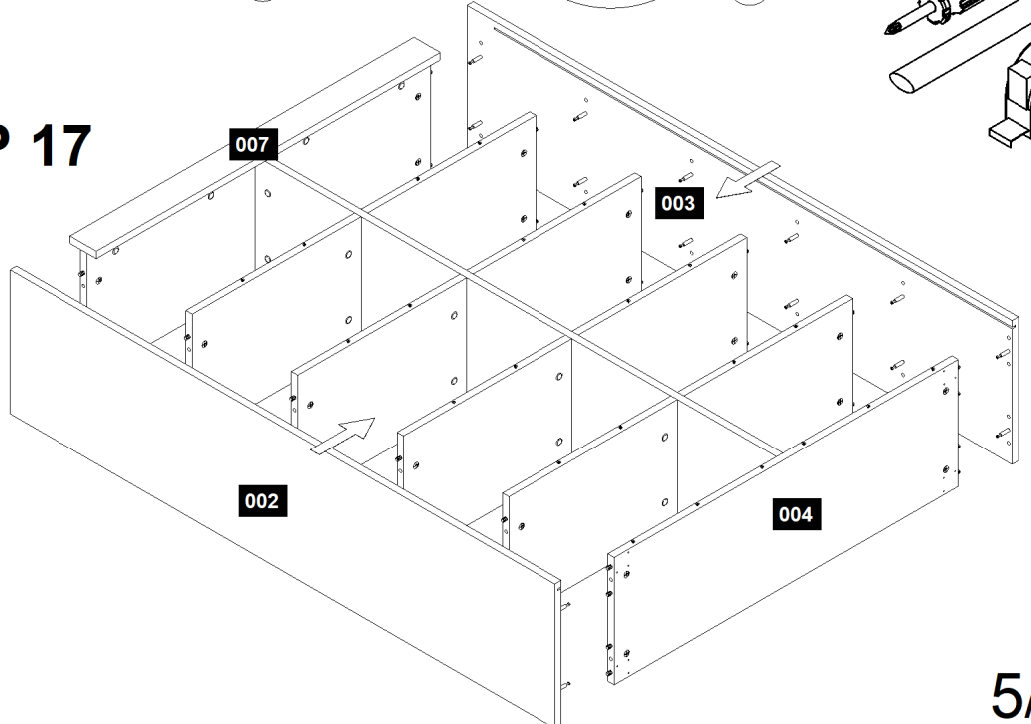
STEP 15



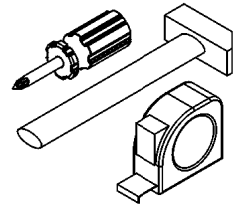
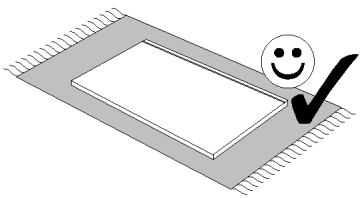
STEP 16



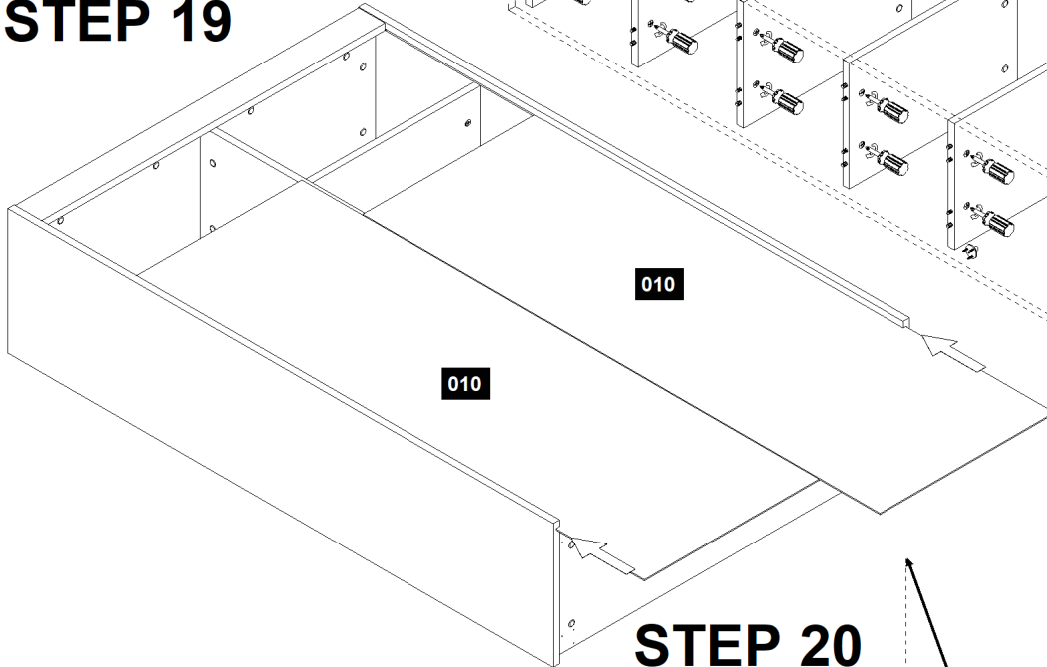
STEP 17



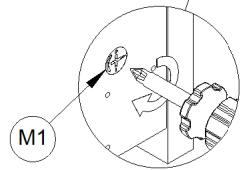
STEP 18



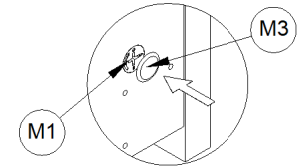
STEP 19



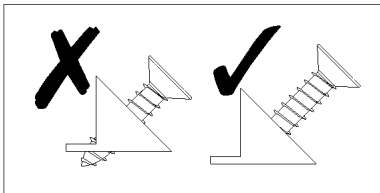
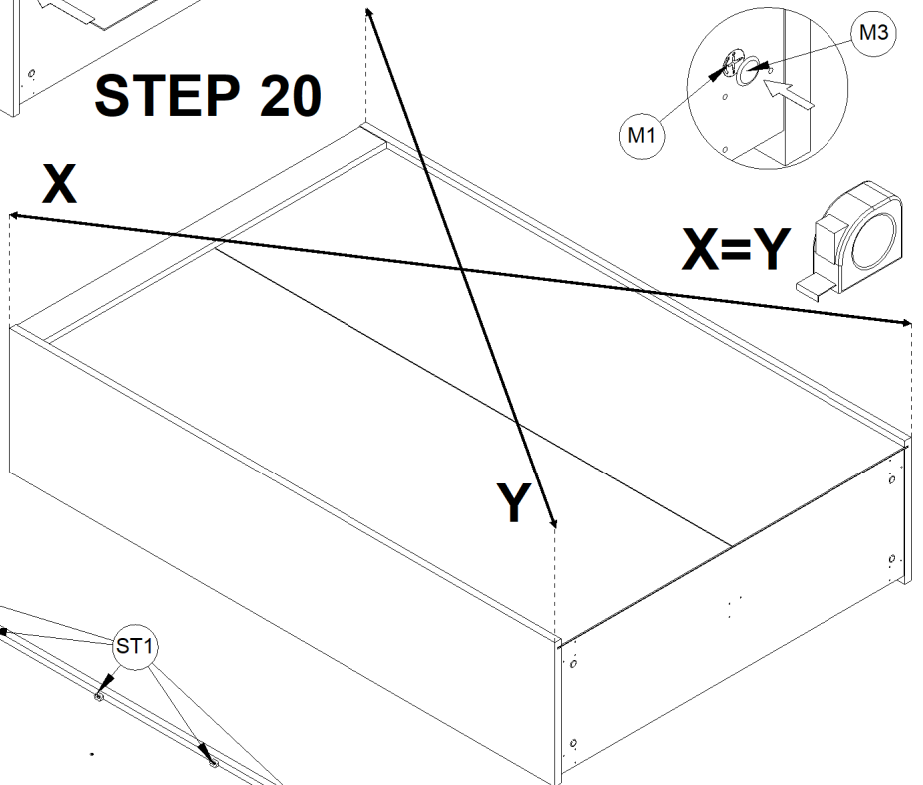
STEP 18a



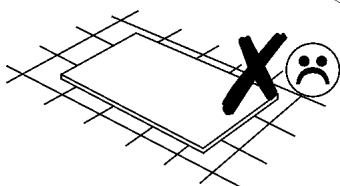
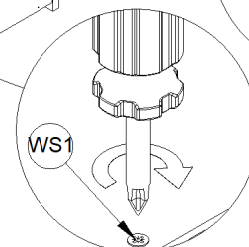
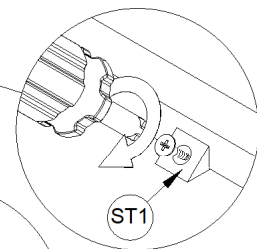
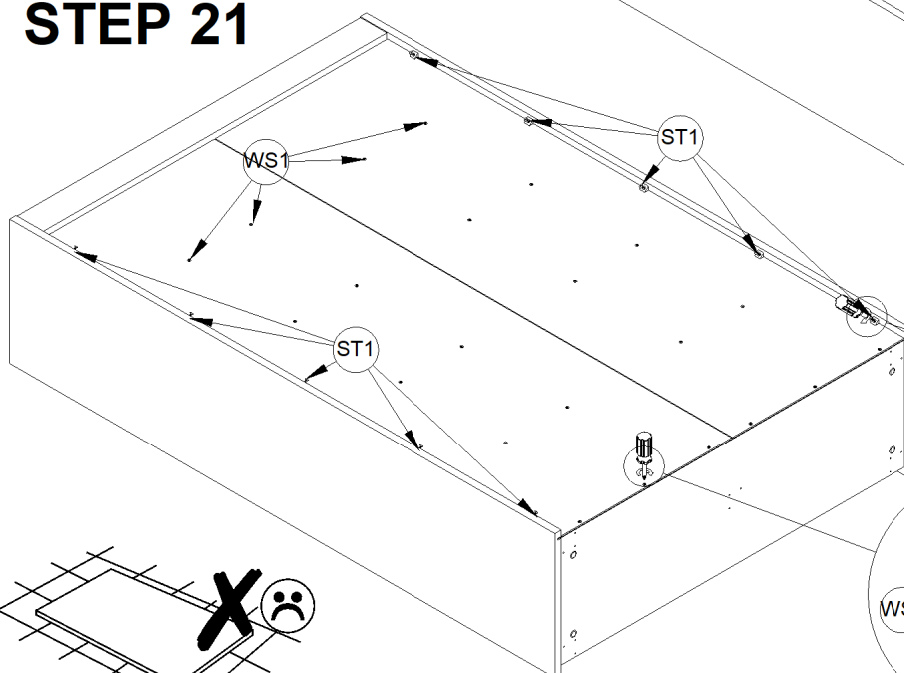
STEP 18b



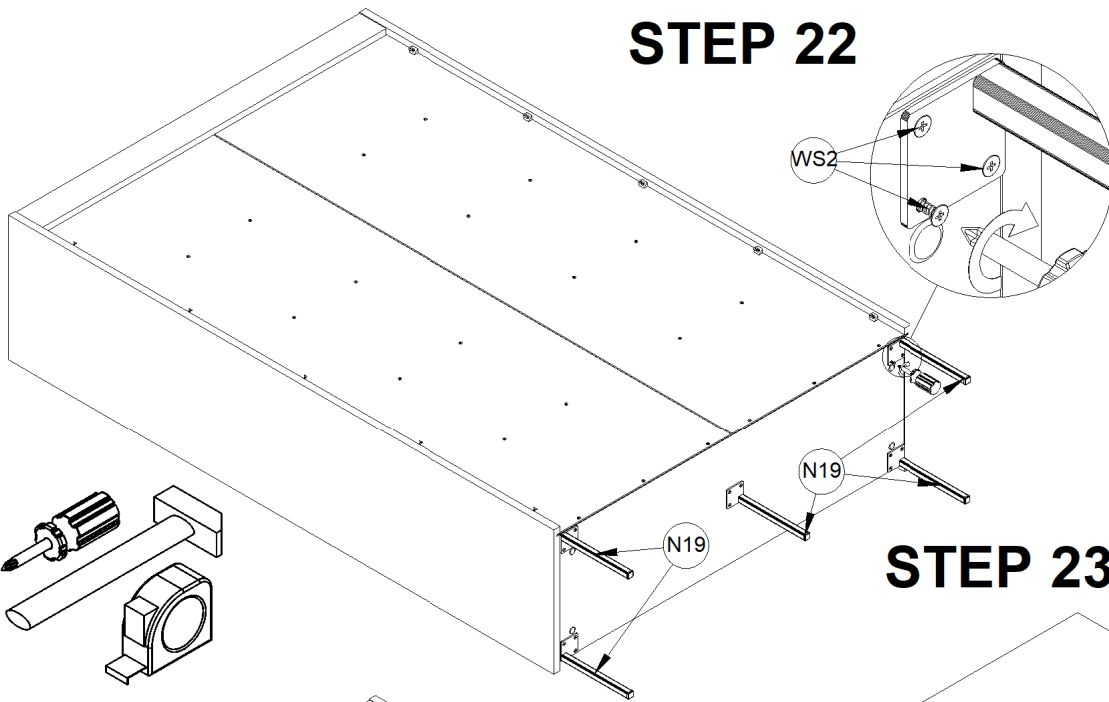
STEP 20



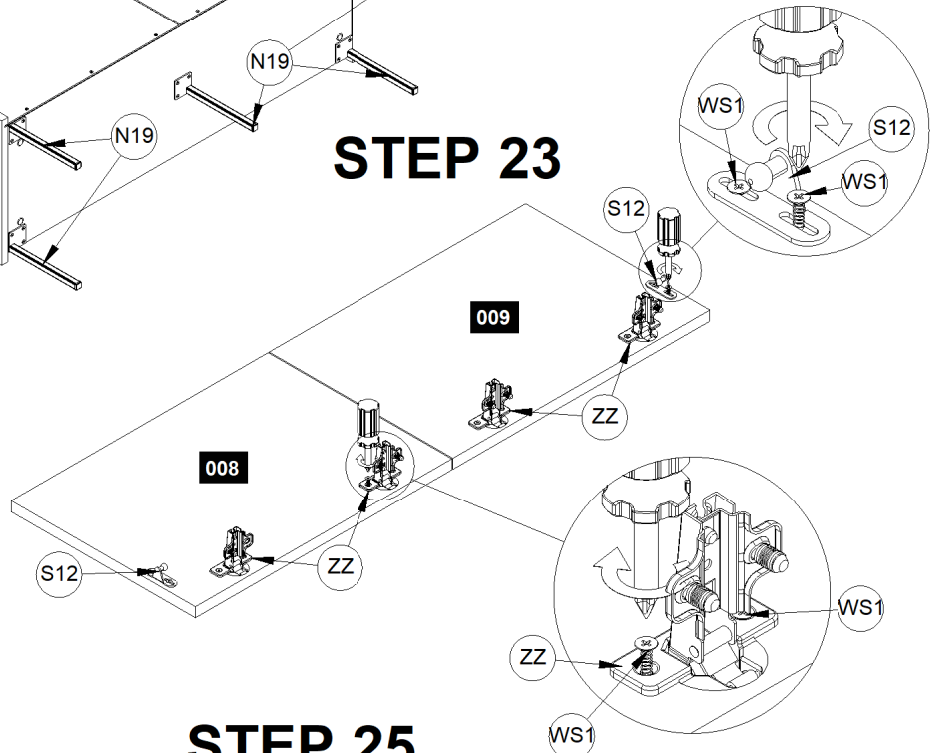
STEP 21



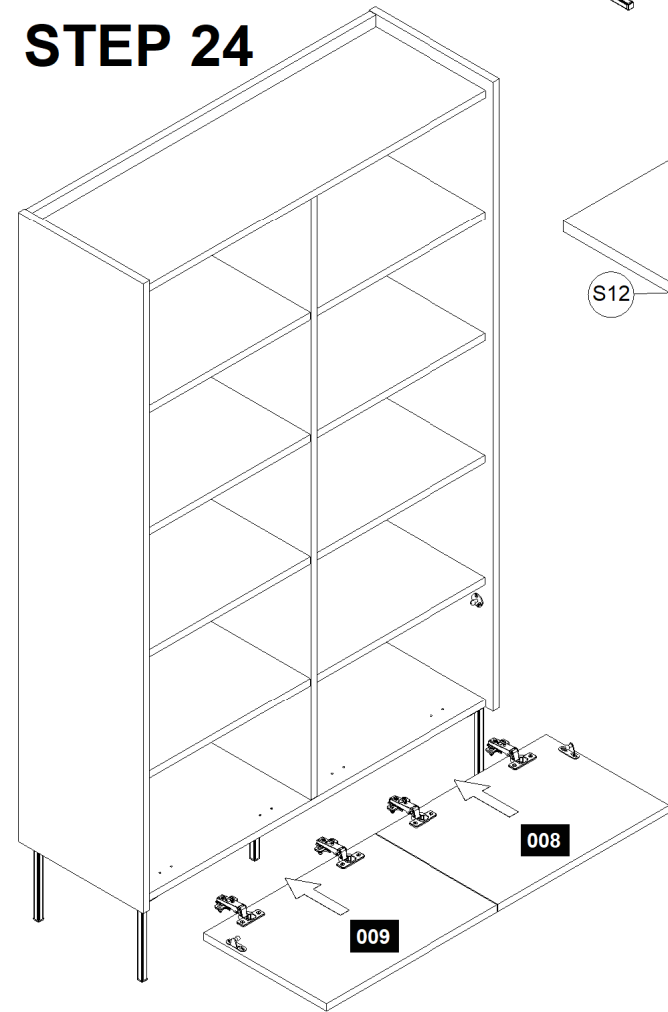
STEP 22



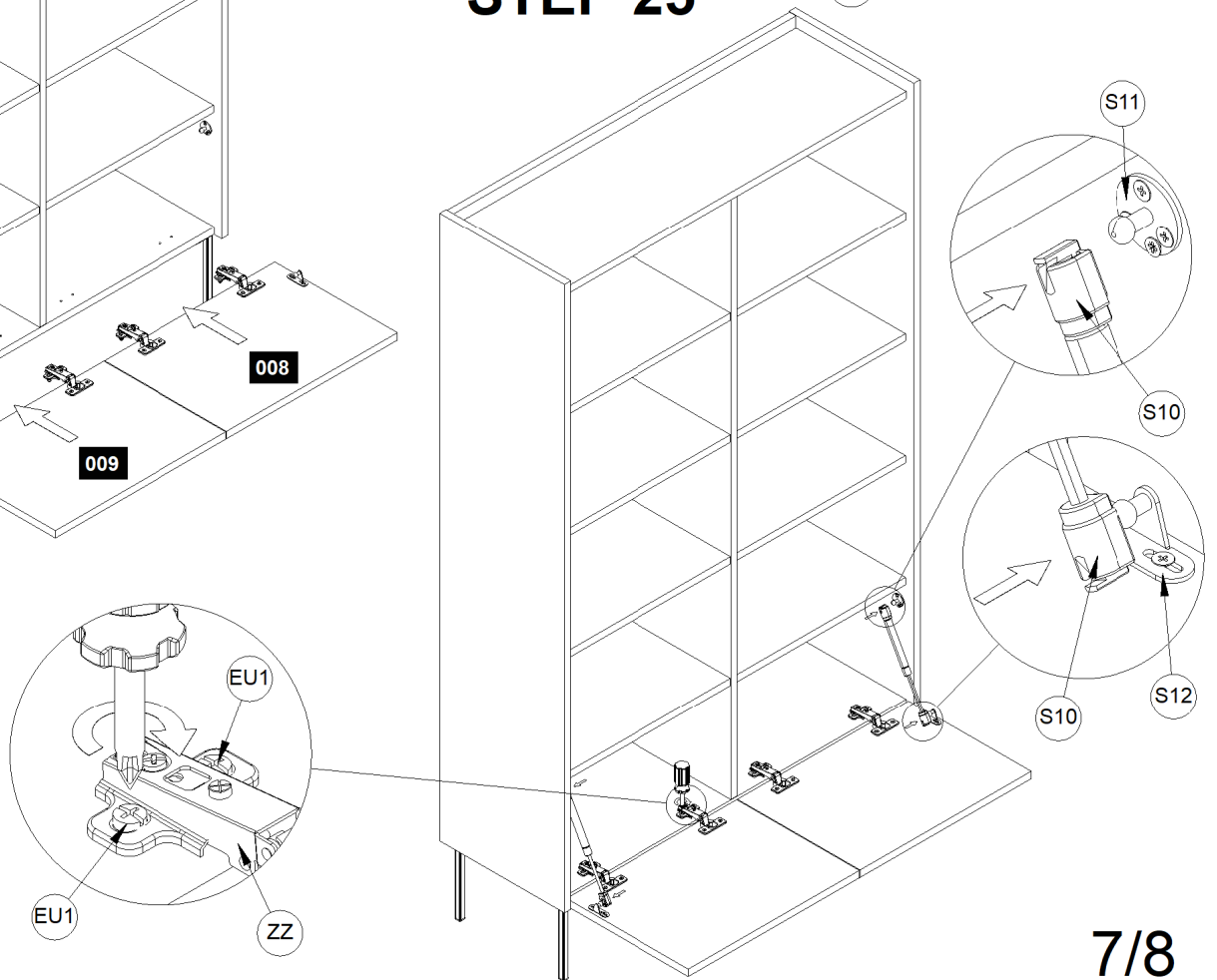
STEP 23



STEP 24



STEP 25



STEP 26

