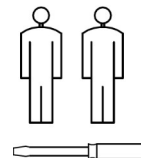


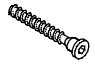
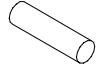
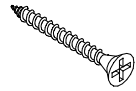
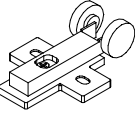


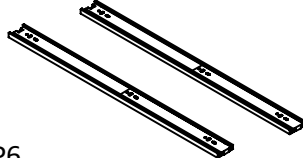
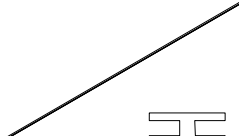
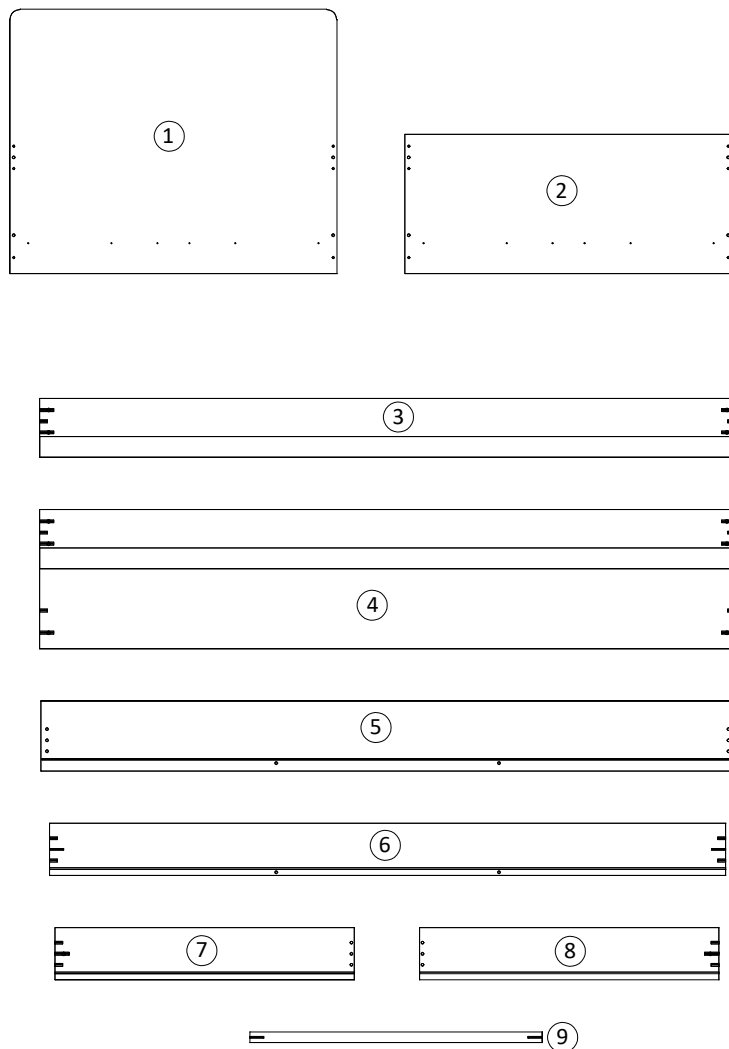
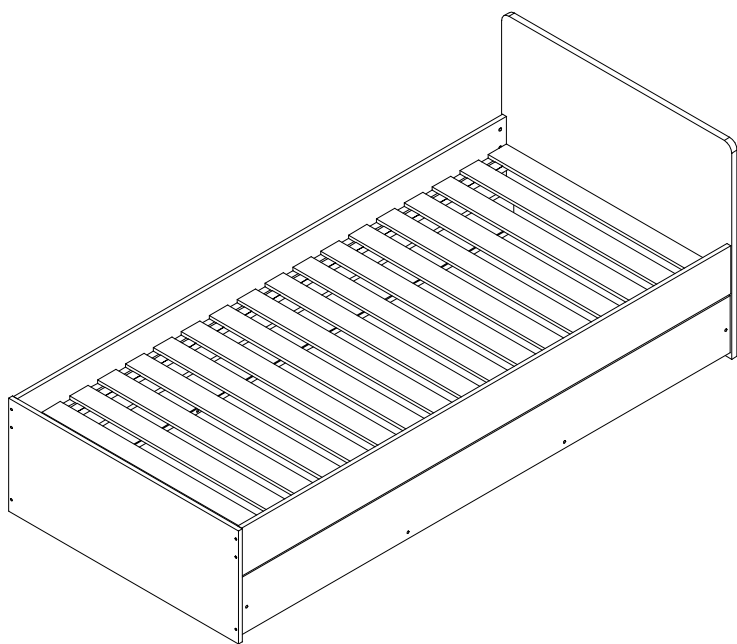


DALIA

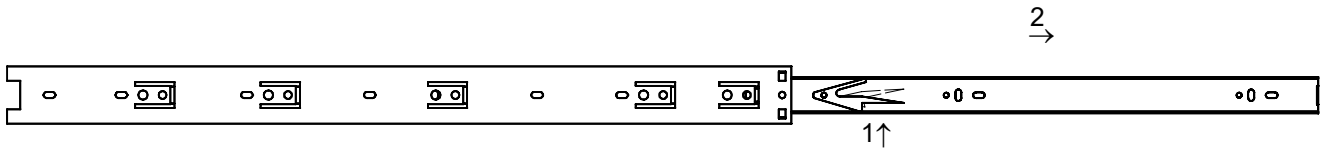
200 x 90



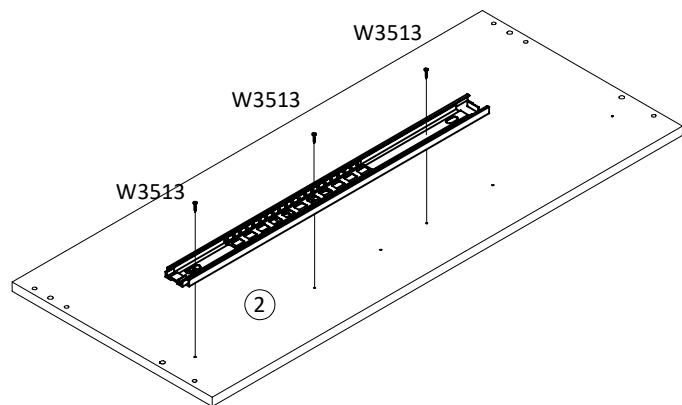
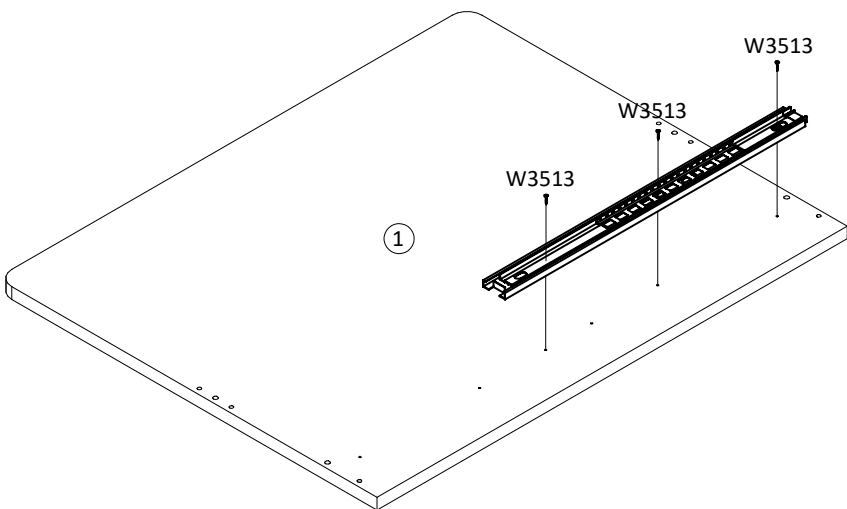
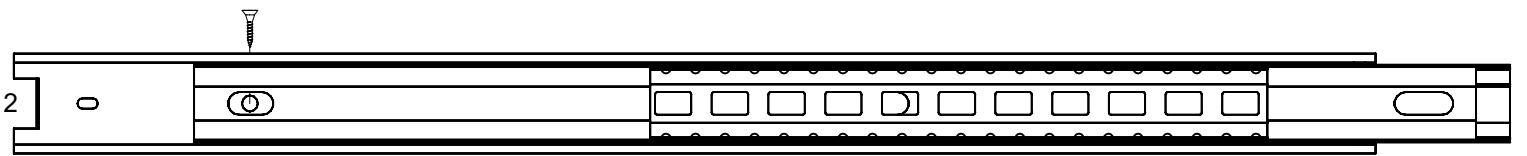
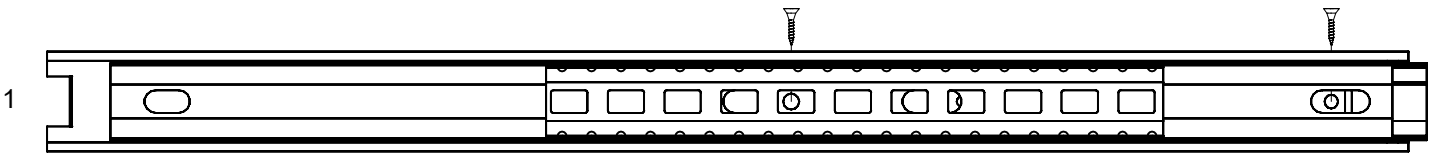
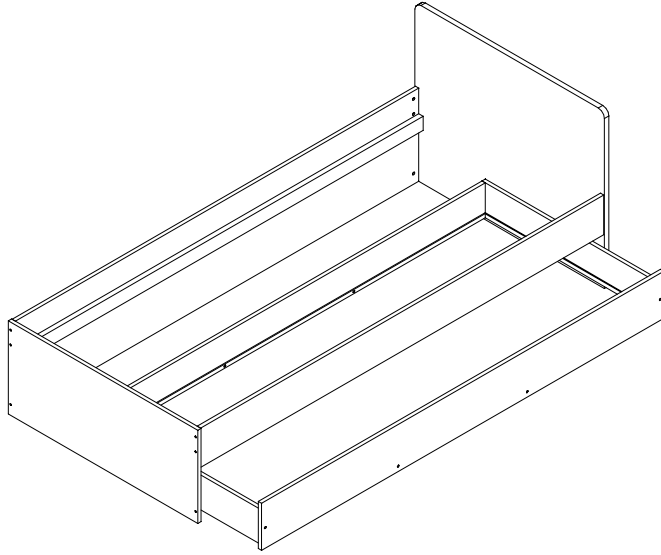
 M6 x 50 S650 x12	 NW x12	 WK5 x6	 8 x 30 D8 x14	 3.5 x 35 W3535 x6
 A11 x2	 3.5 x 13 W3513 x20	 A01 x1	 P6 x1	
 A14 x1				



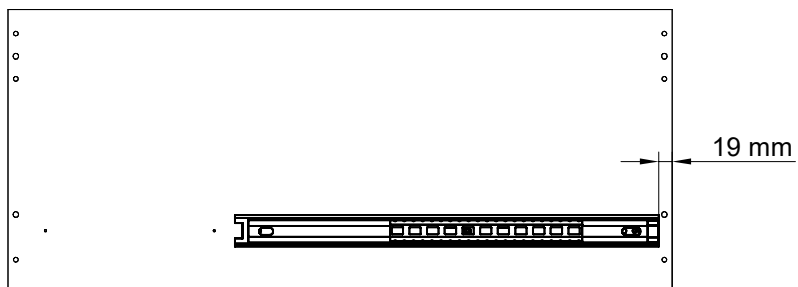
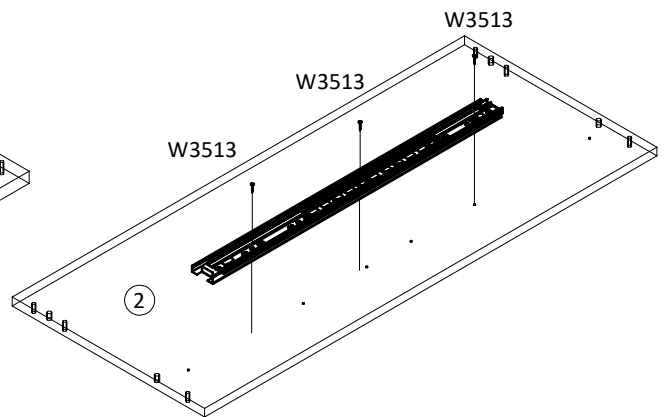
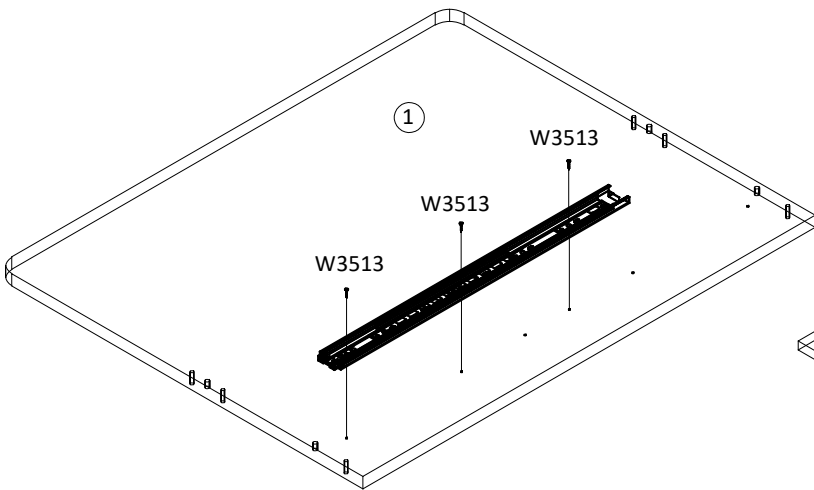
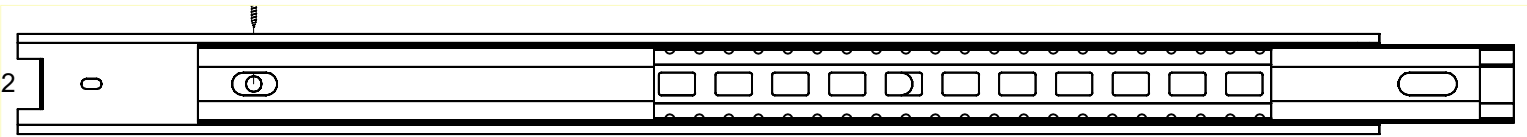
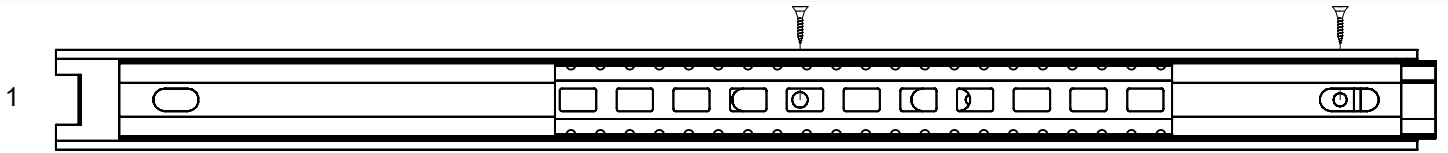
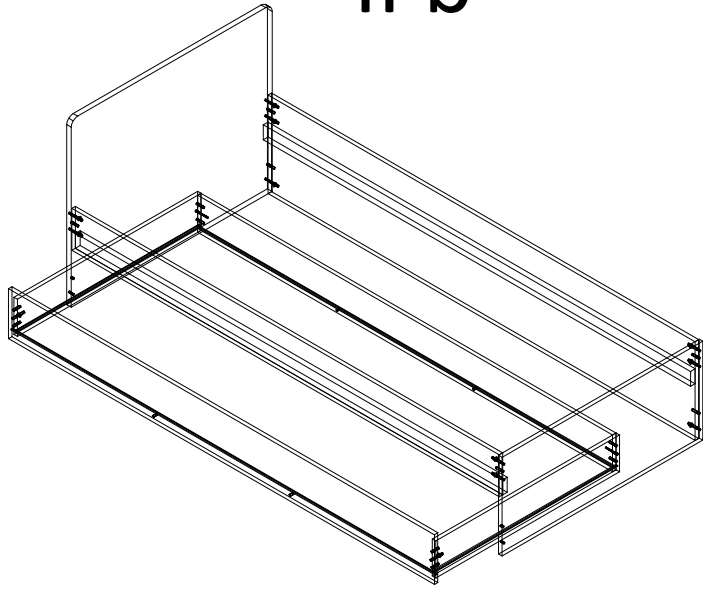
I



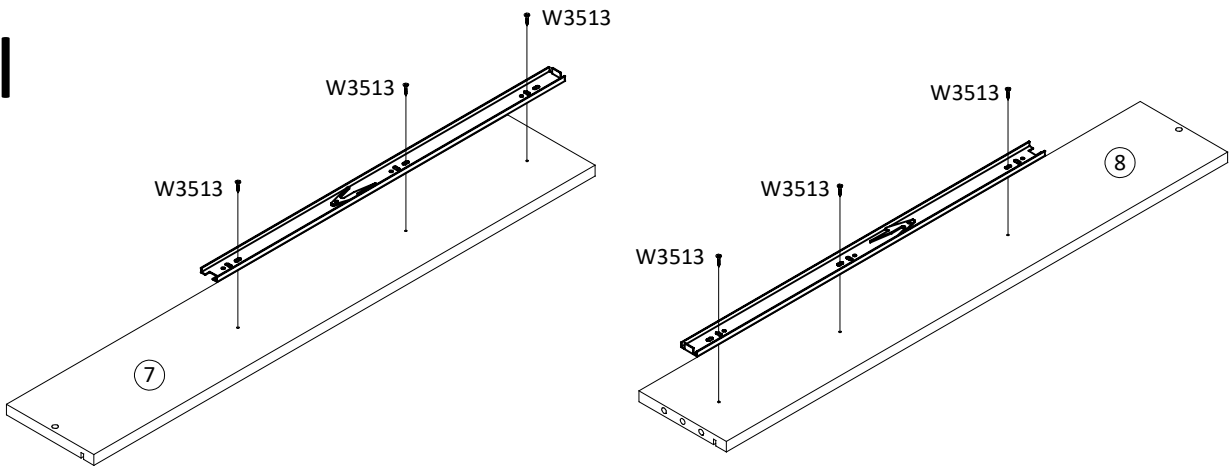
Ila



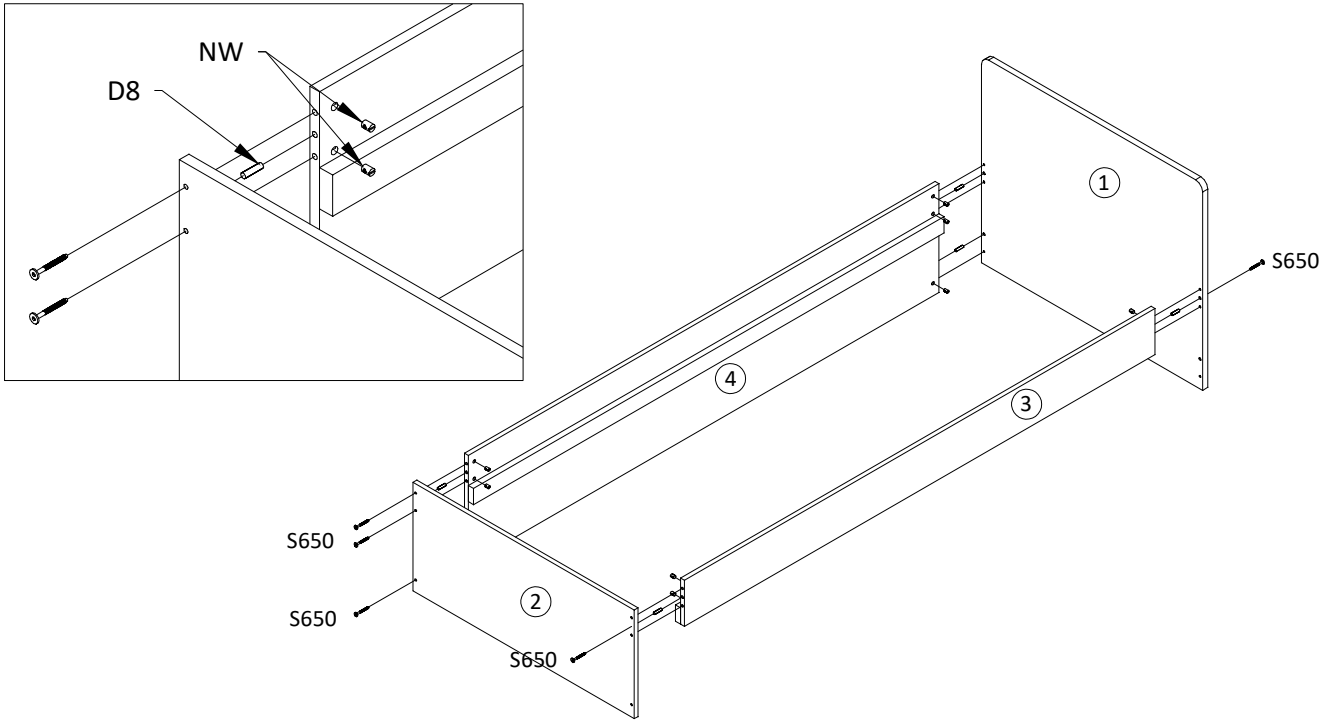
II b



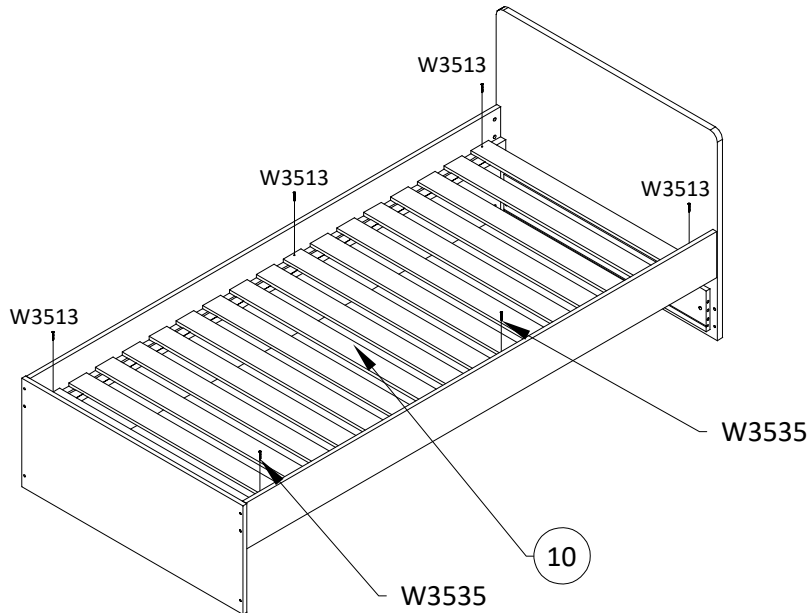
III



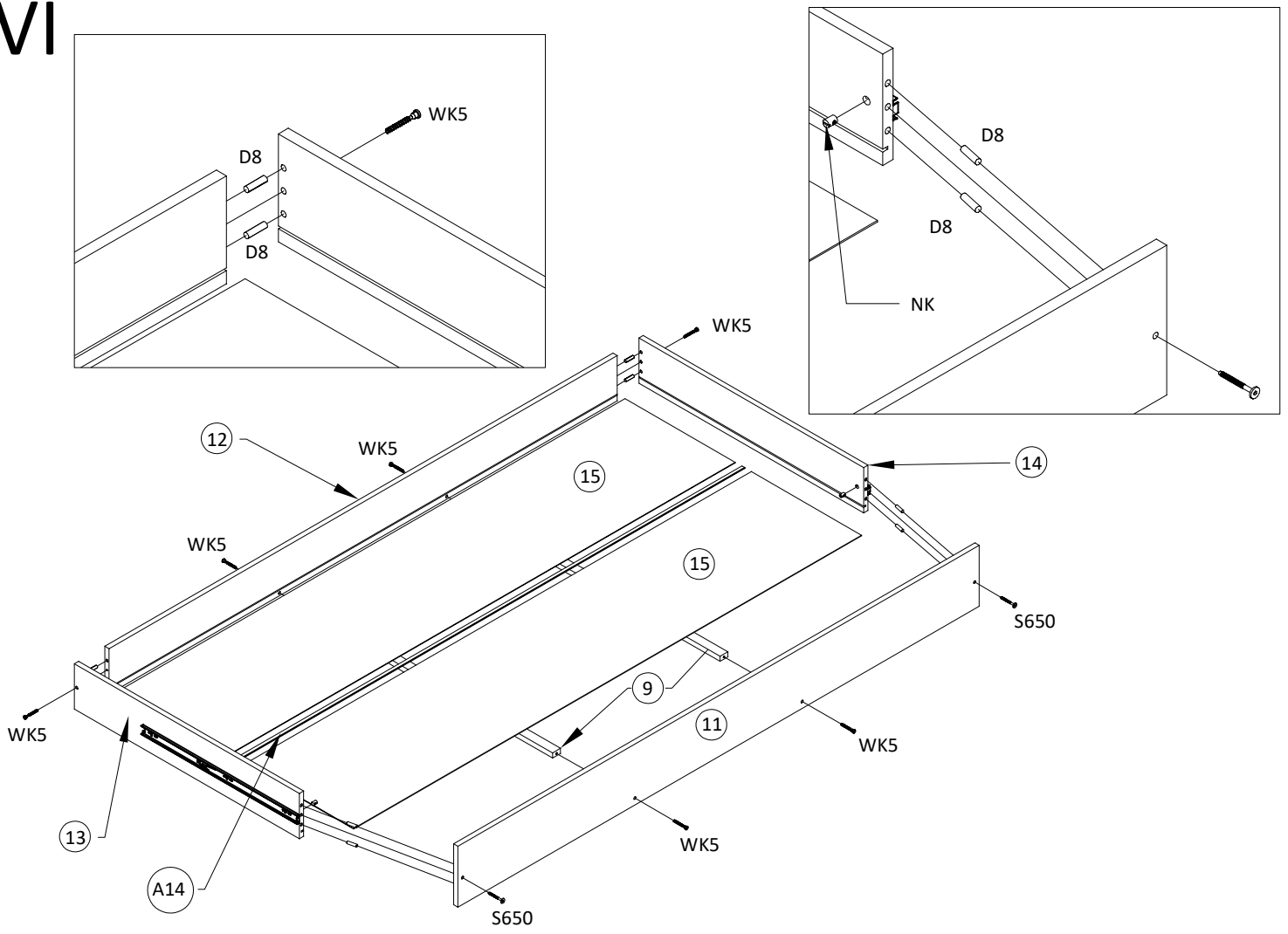
IV



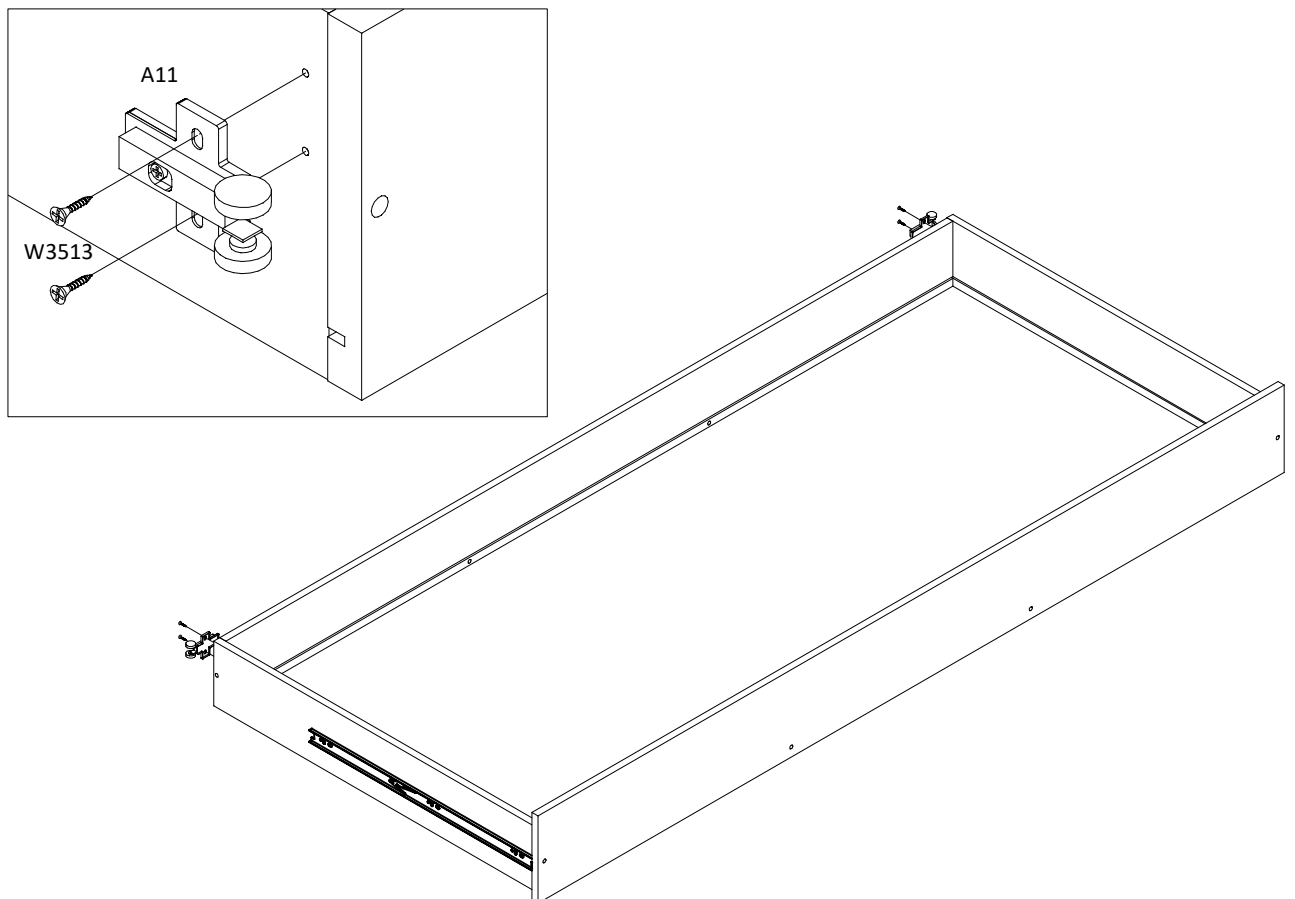
V

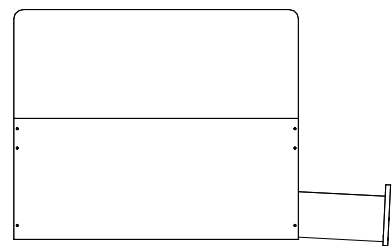
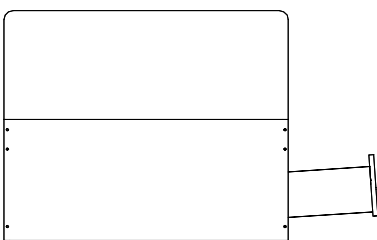
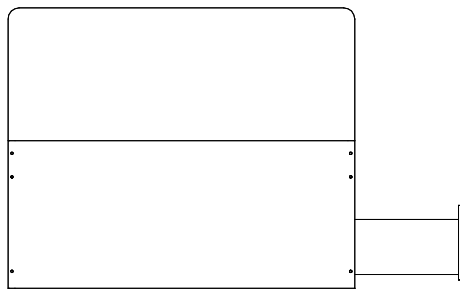
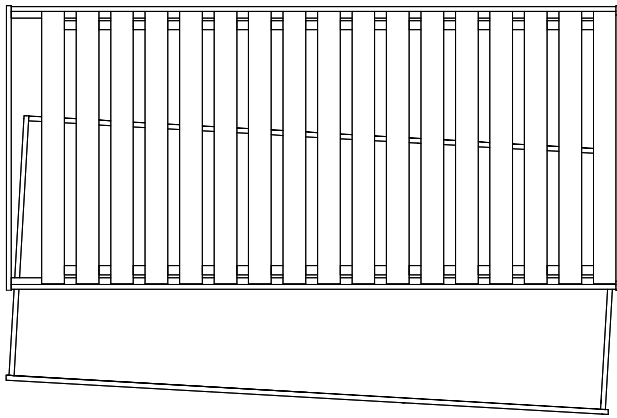
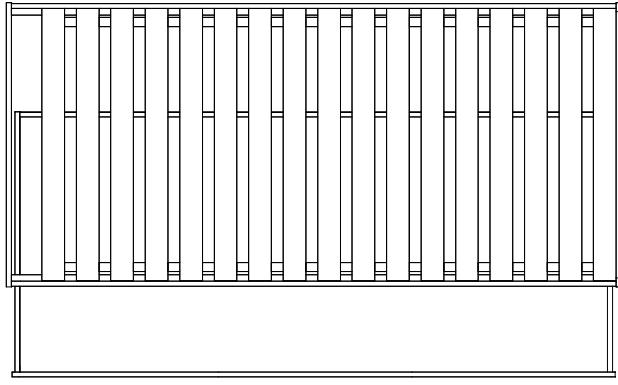


VI



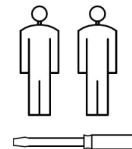
VII

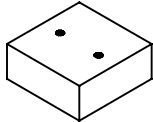
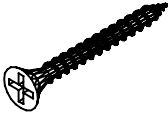
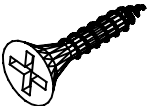



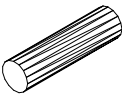
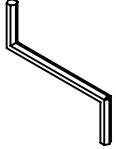
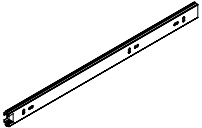


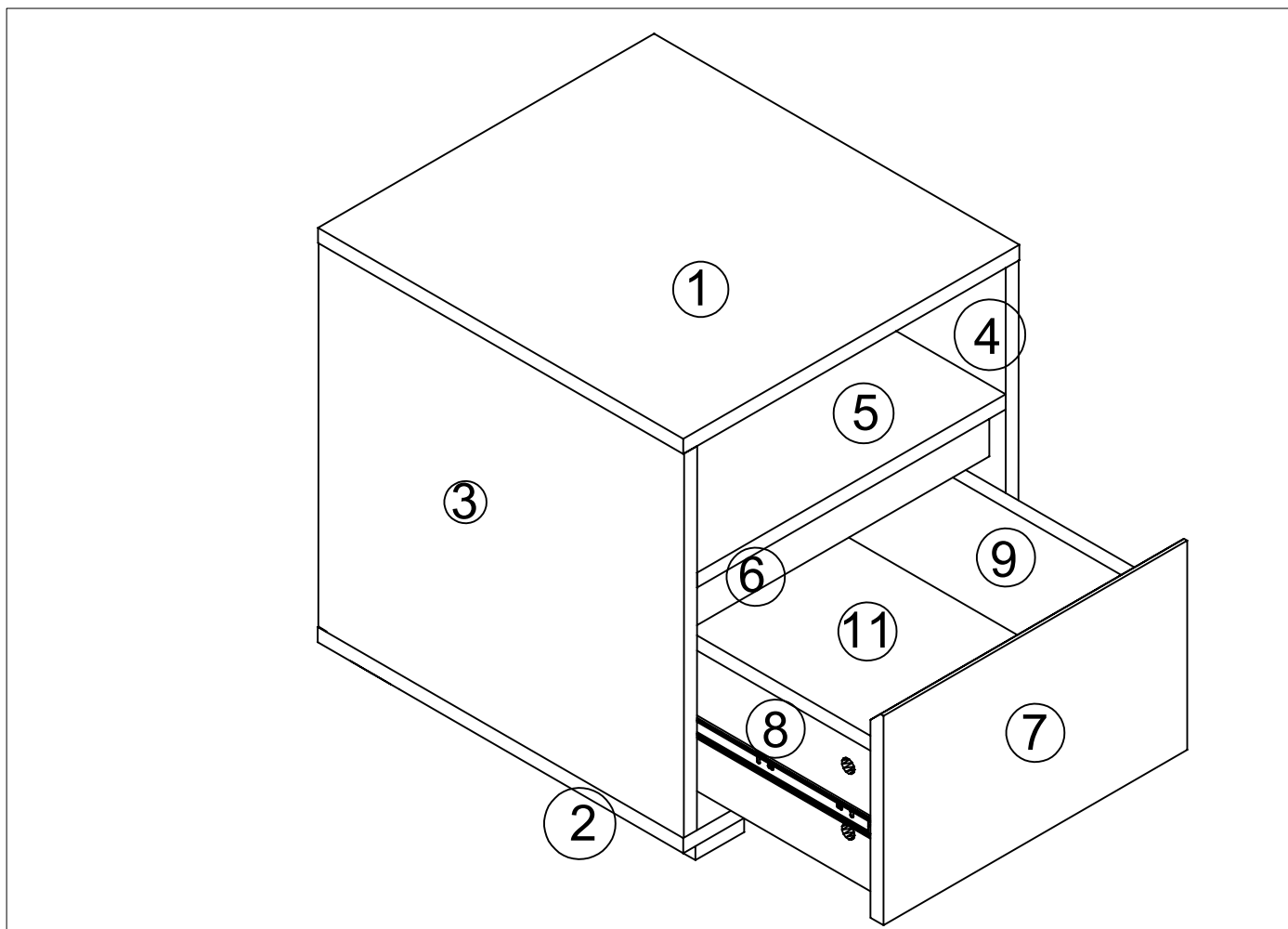


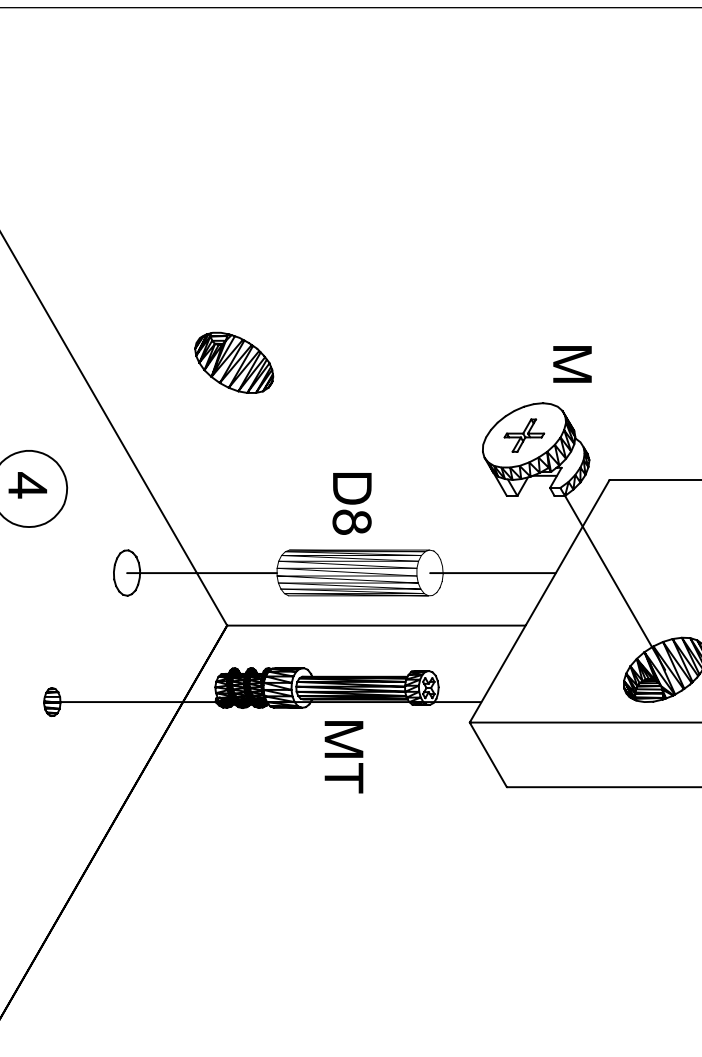
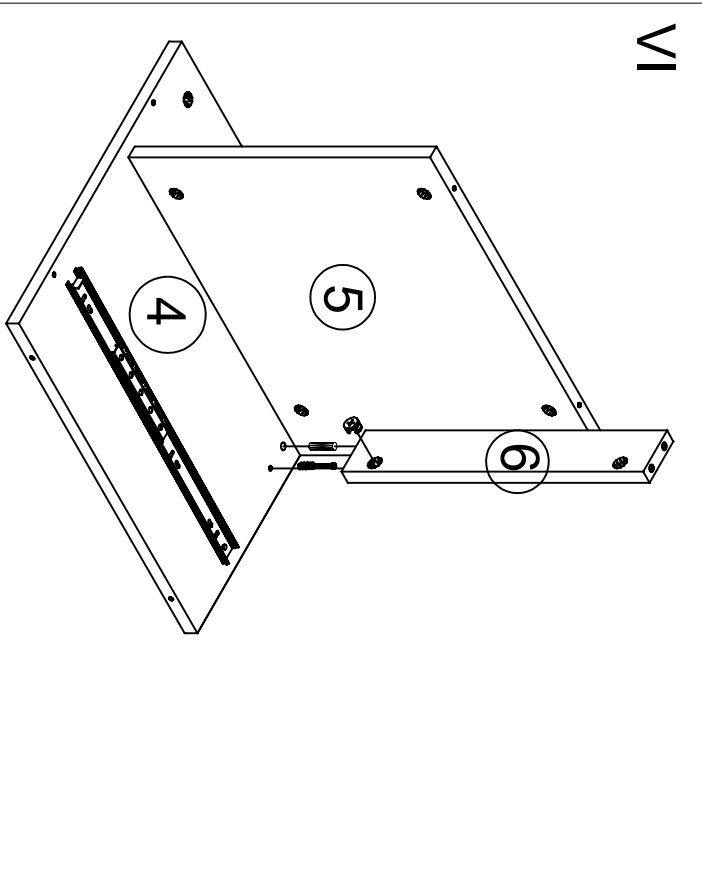
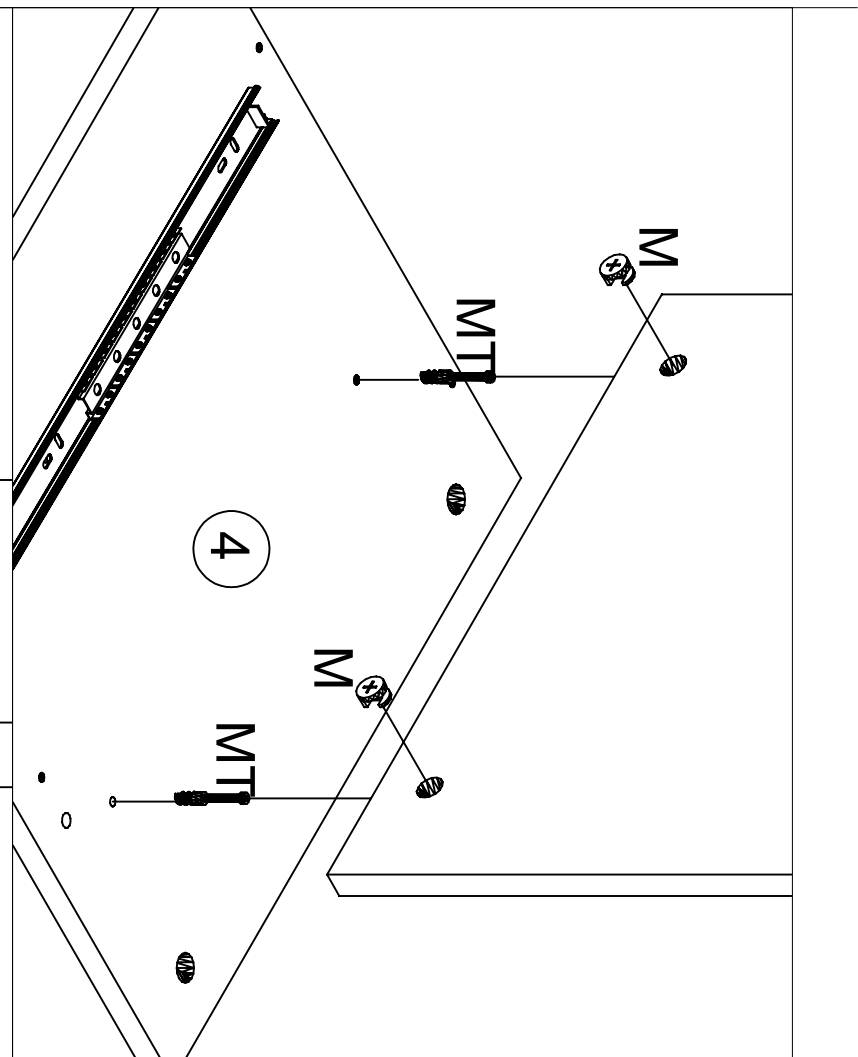
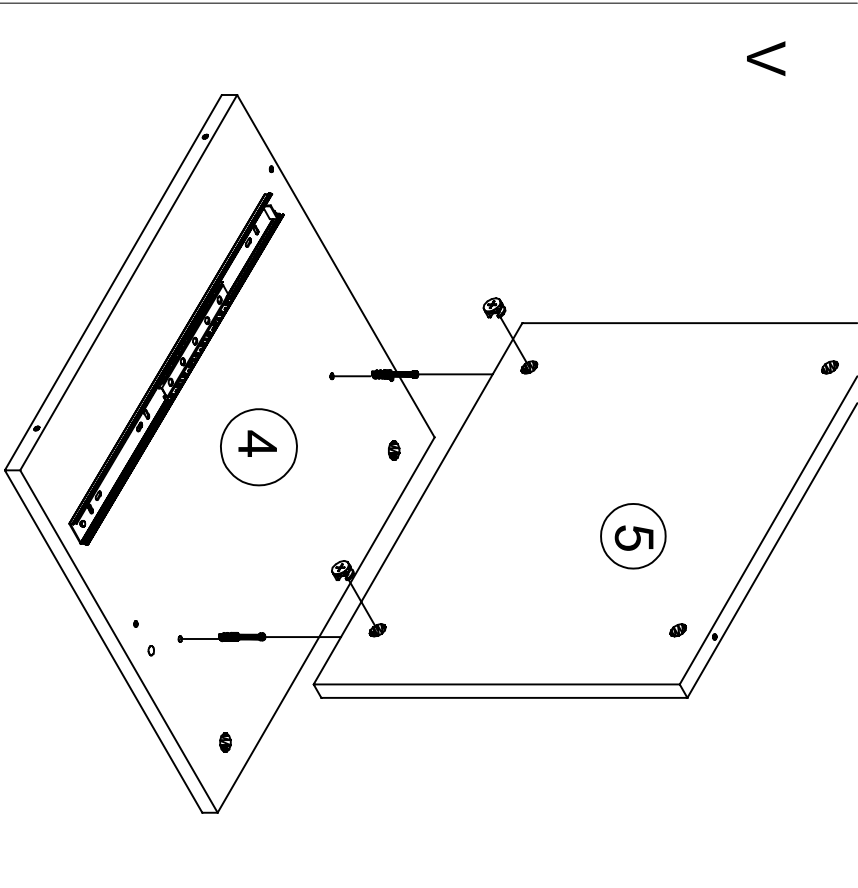
STOLIK NOCNY

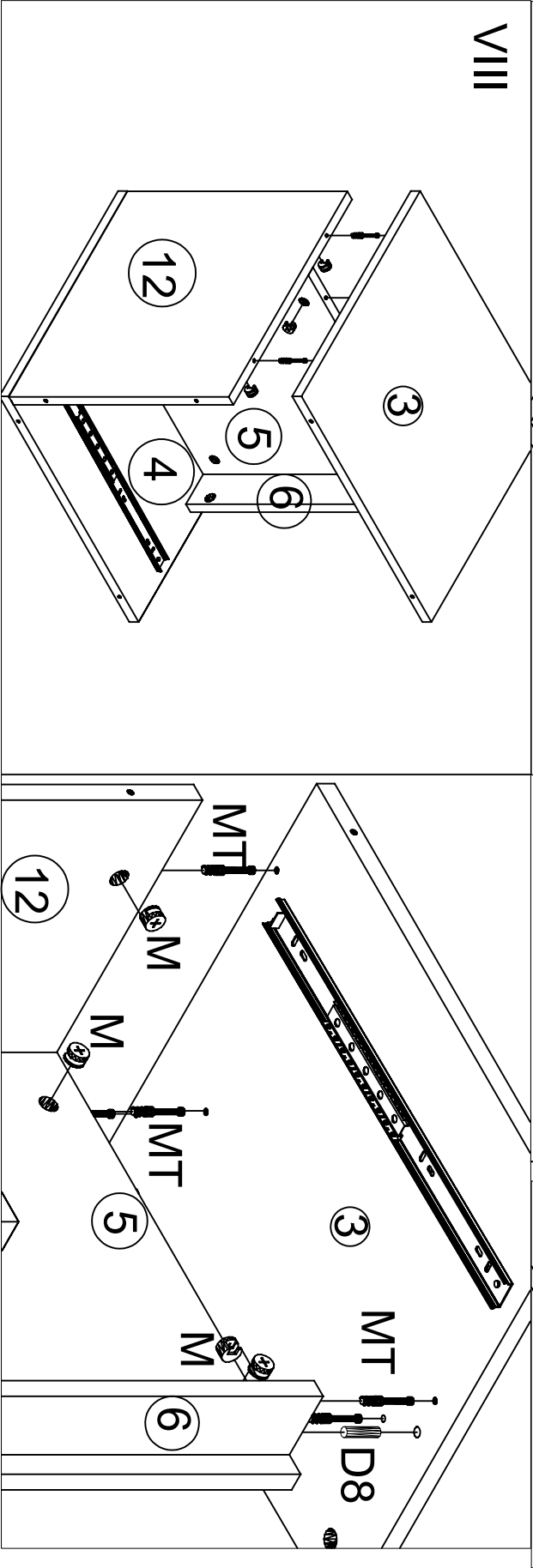
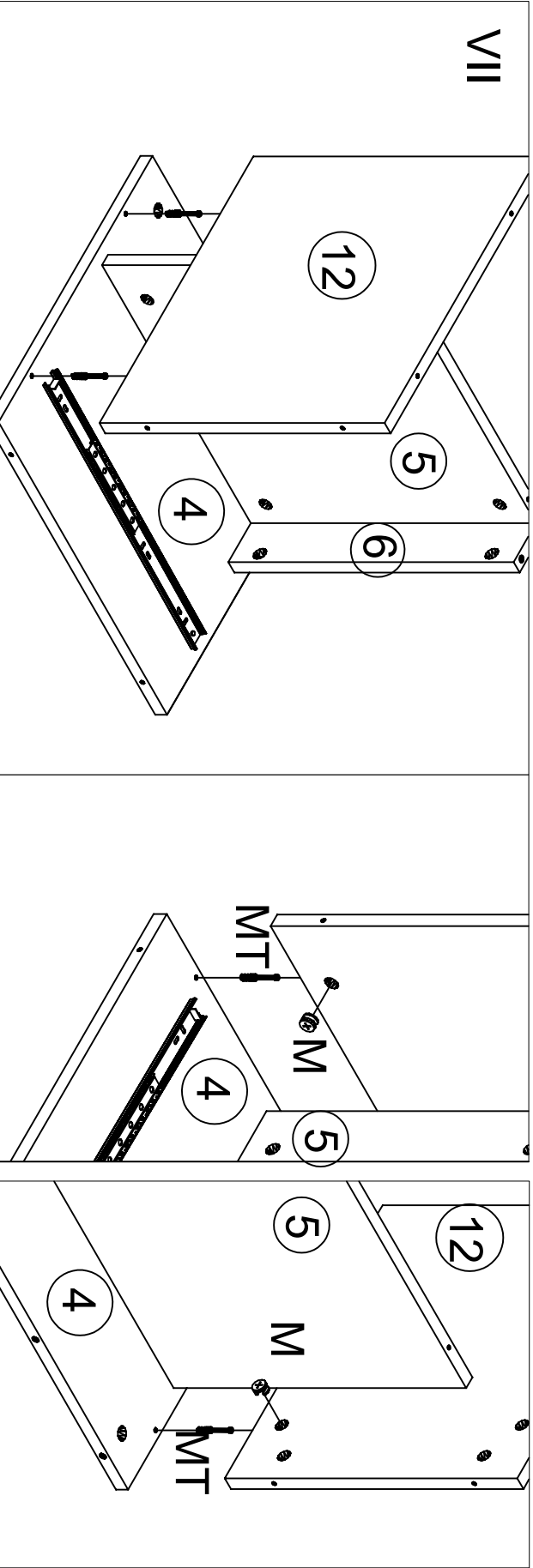
DALIA



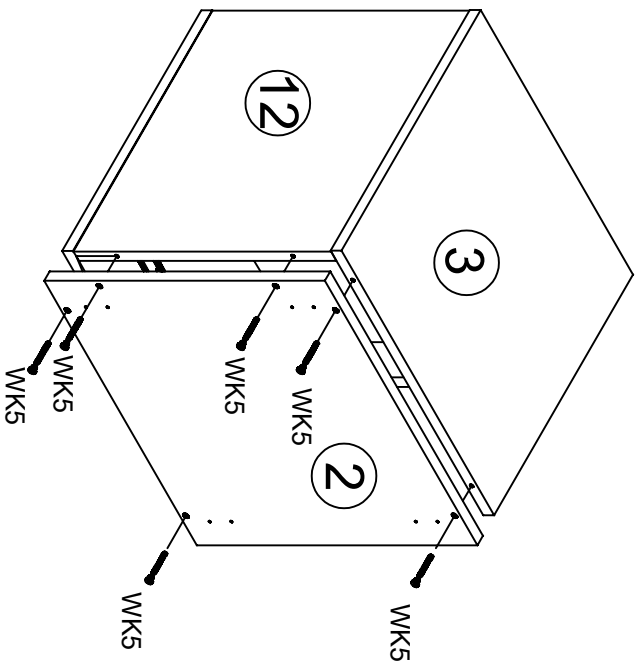
									
S2	x4	W3530	x8	W3513	x12	WK5	x10	MT	x20
									
M	x20	D8	x4	A01	x1	PK	x1		



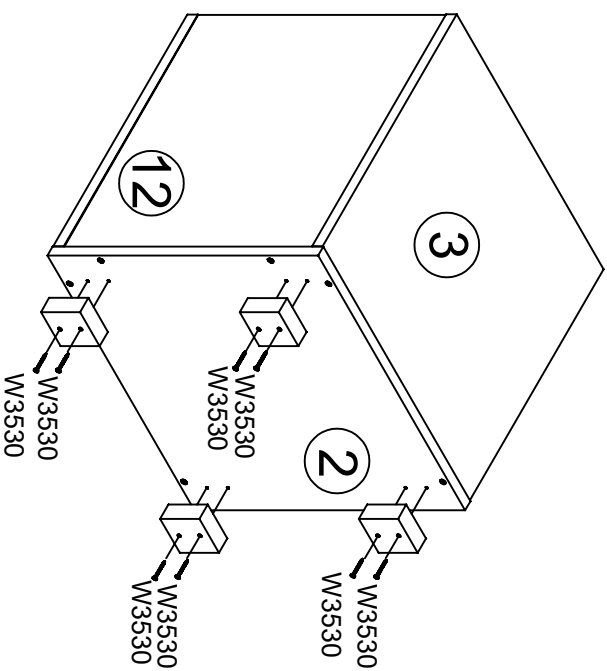




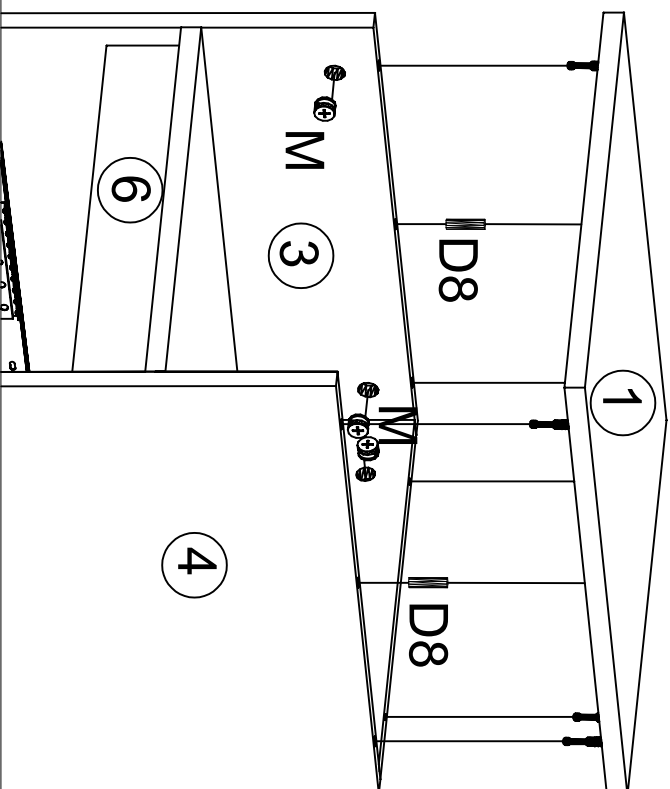
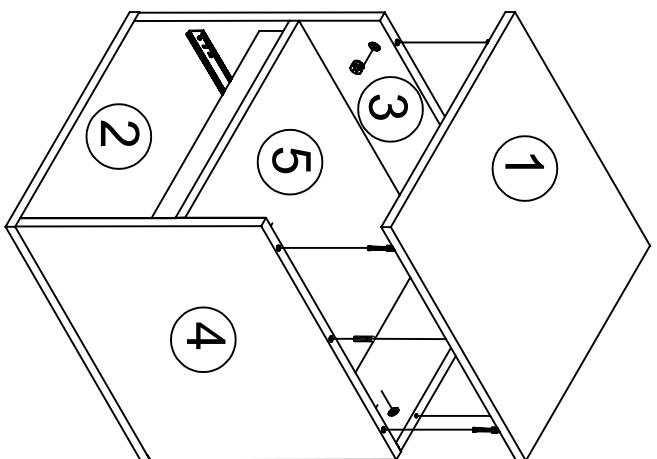
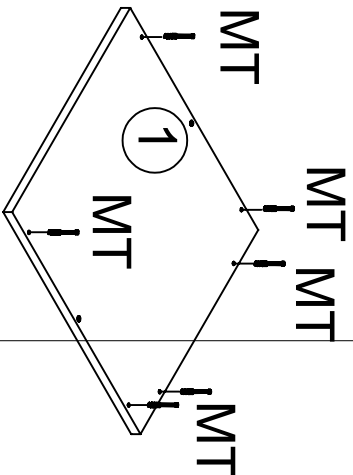
IX



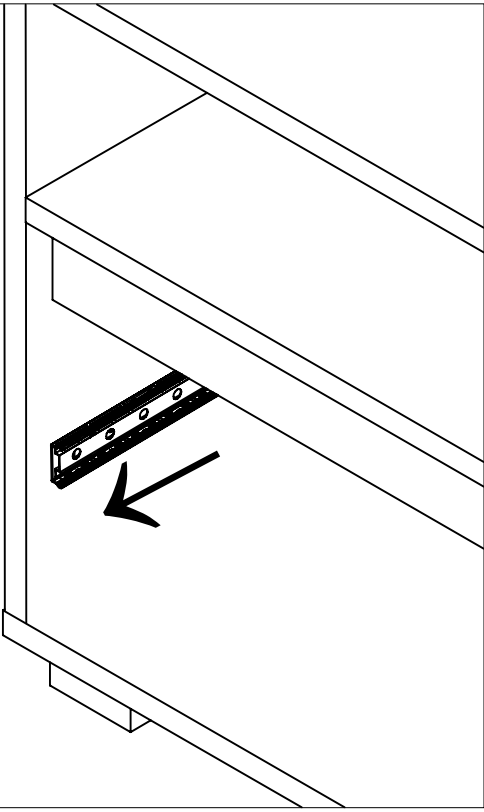
X



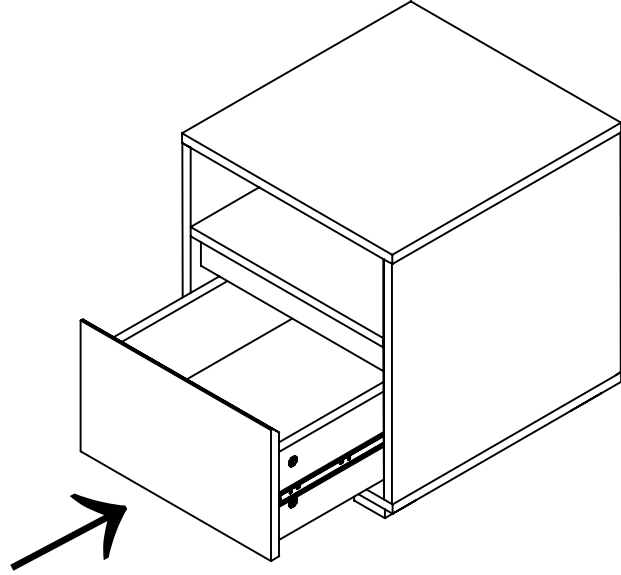
XI

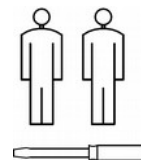


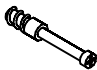

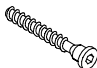



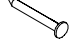

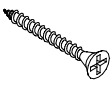


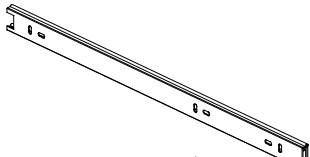

XII

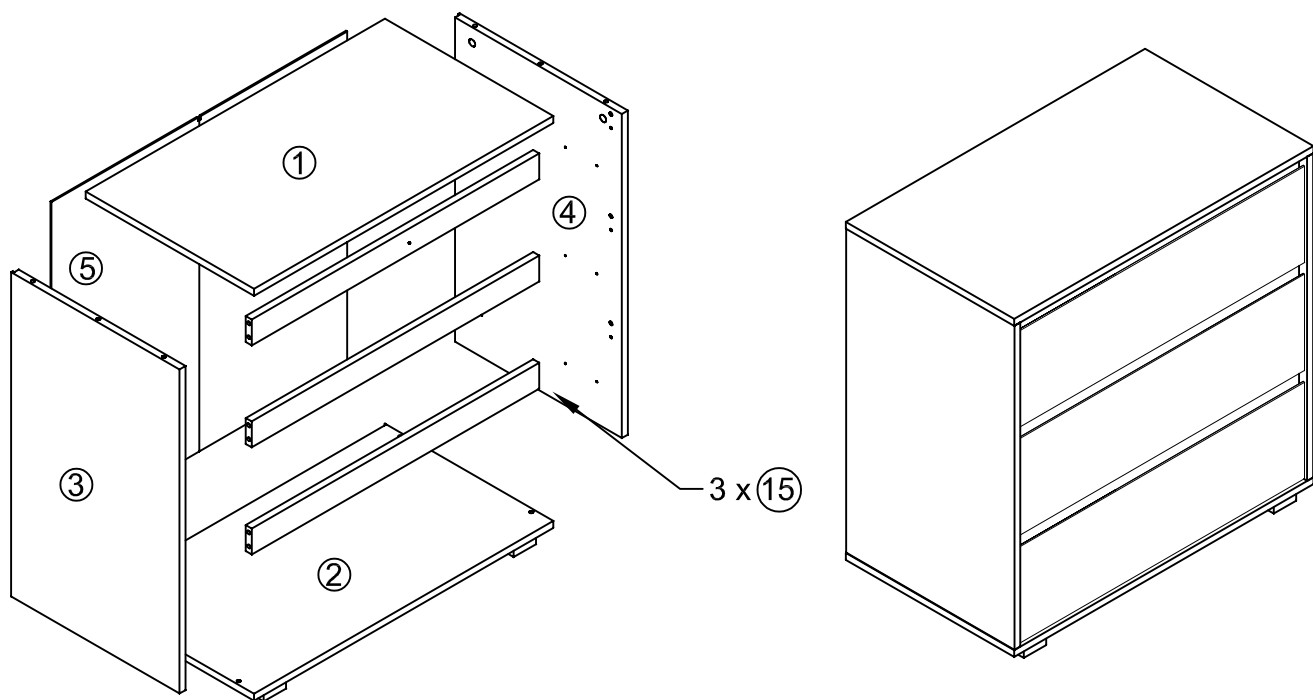


XIII

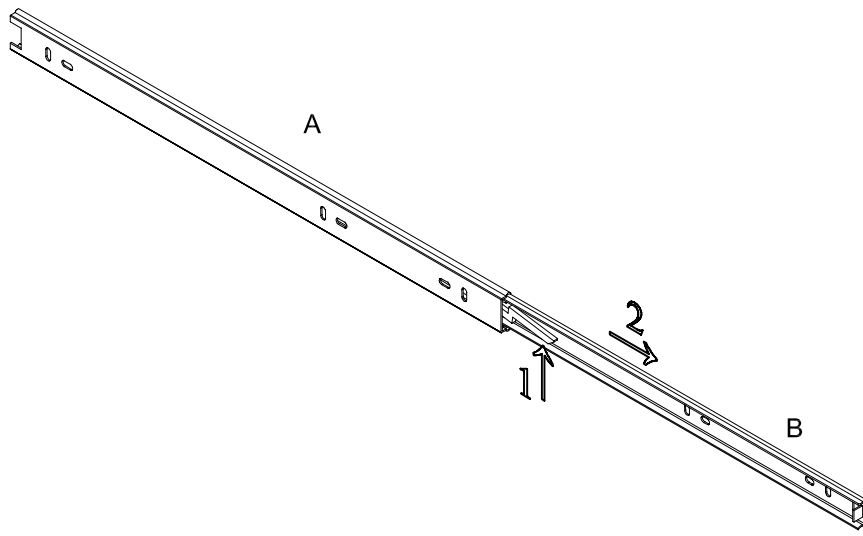




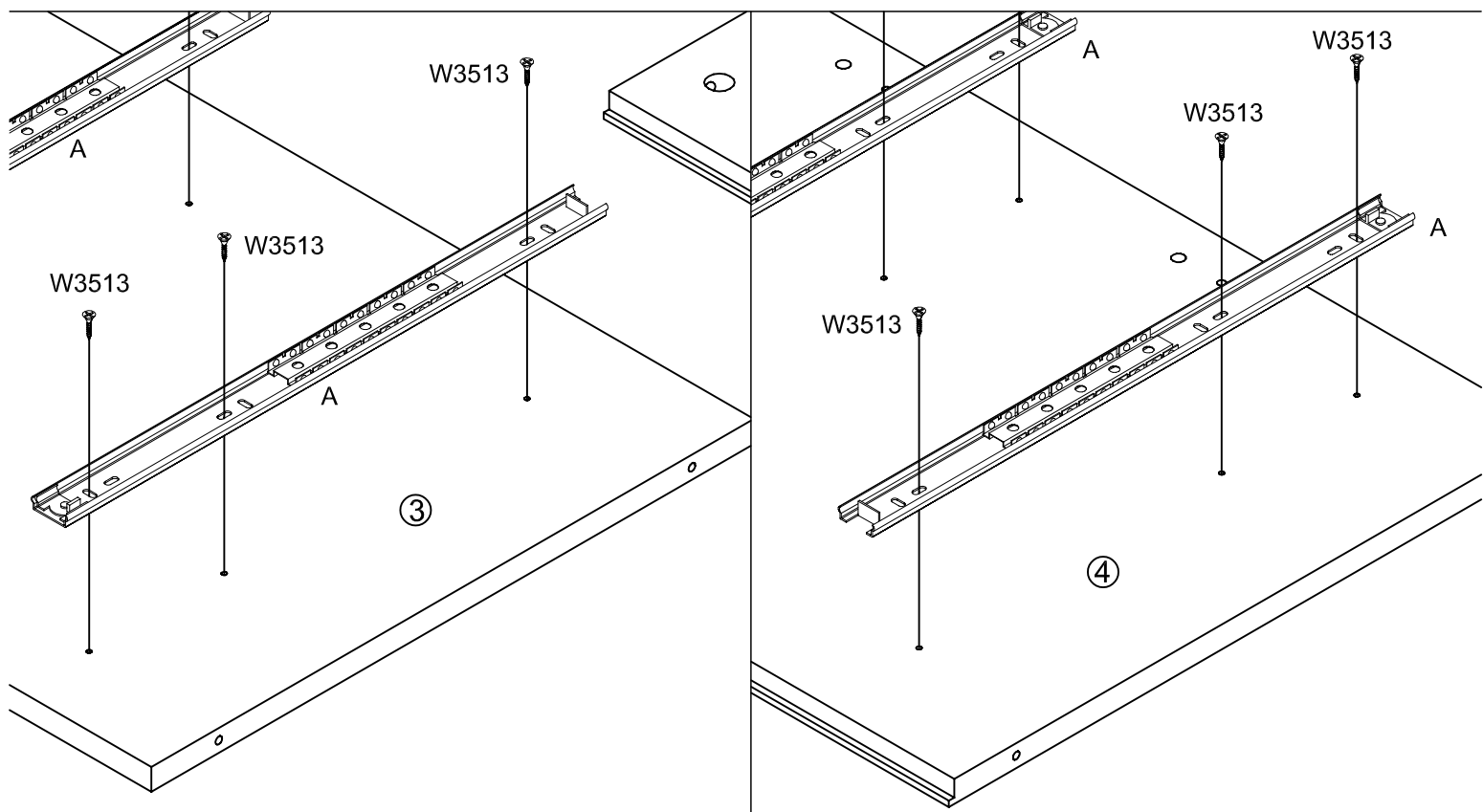
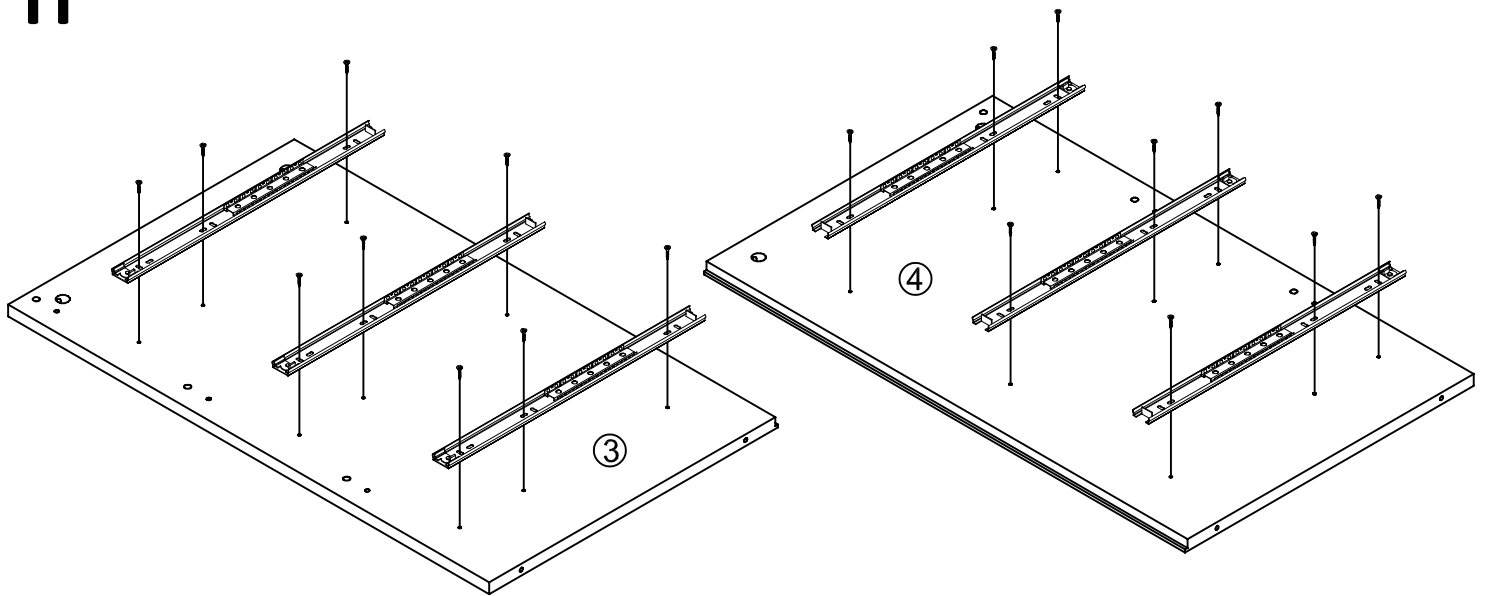
						
MT x22	M x22	7x50 WK5 x16	8x30 D8 x8	3.5x16 W3516 x1	3.5x13 W3513 x36	A02 x30
						
S2 x4	3.5x30 WS x8	A06 x1	A05 x1	PK x6	A01 x1	



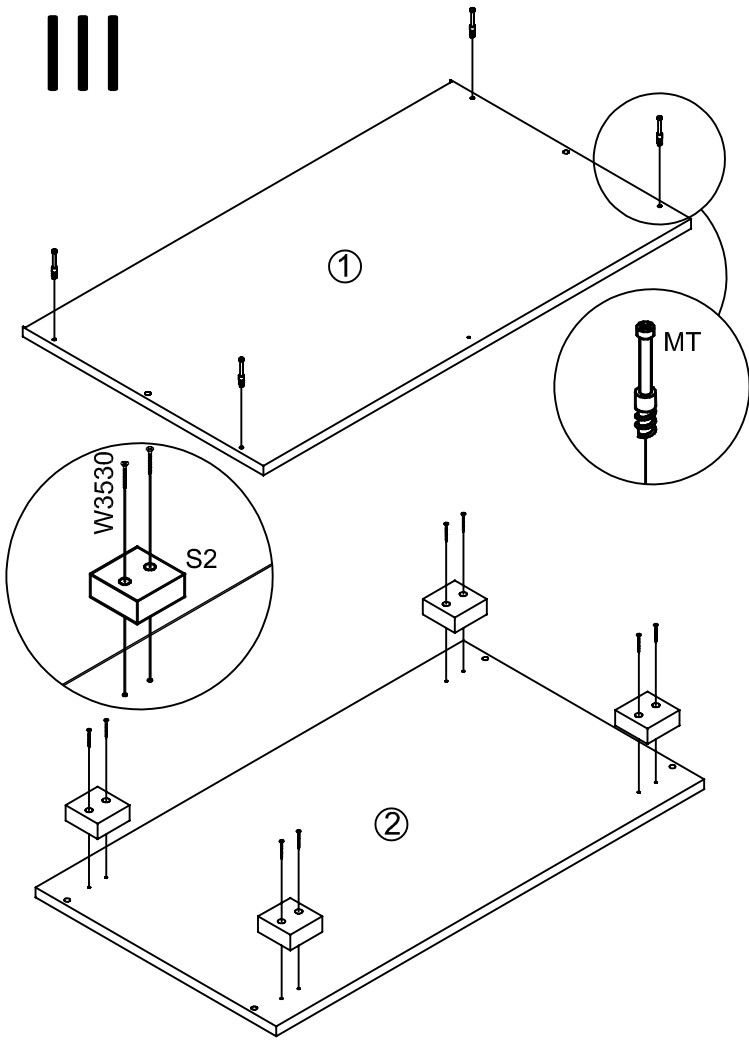
I



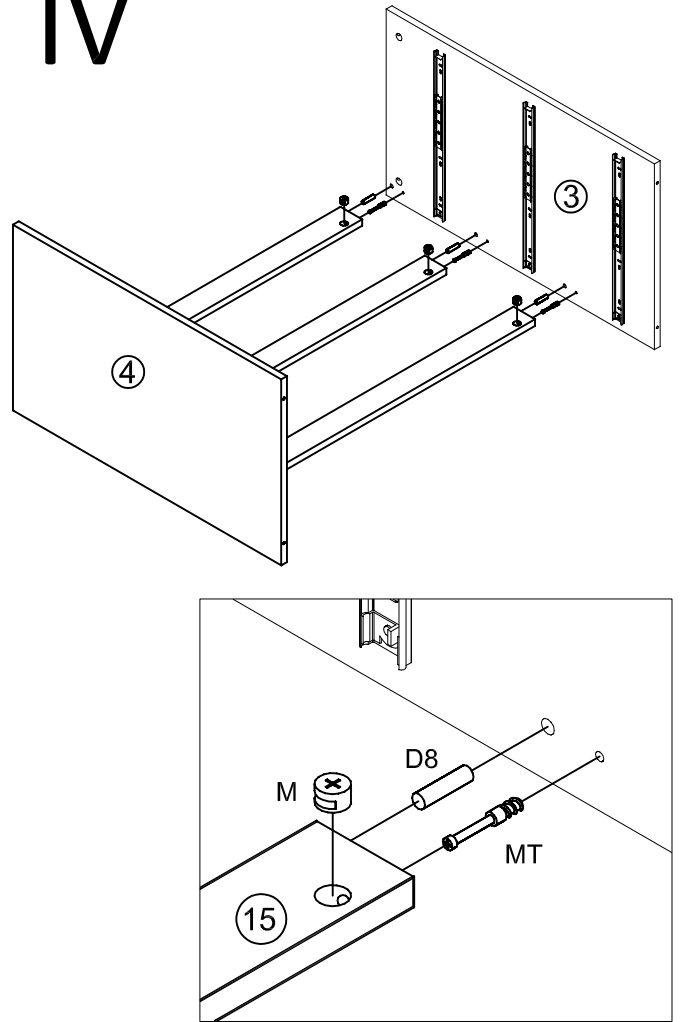
II



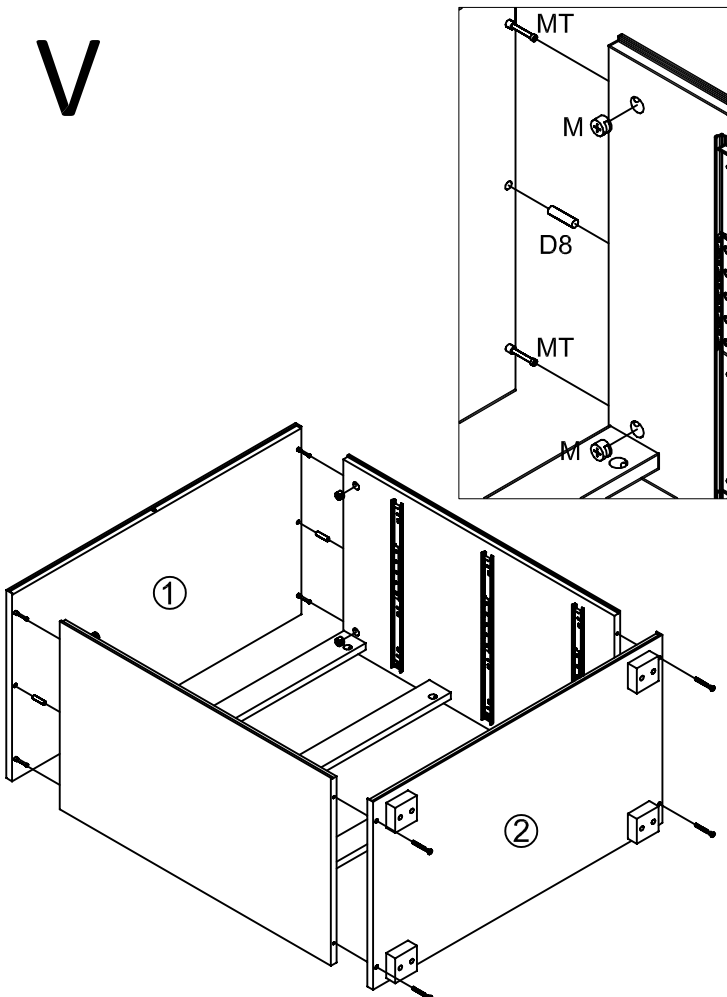
III



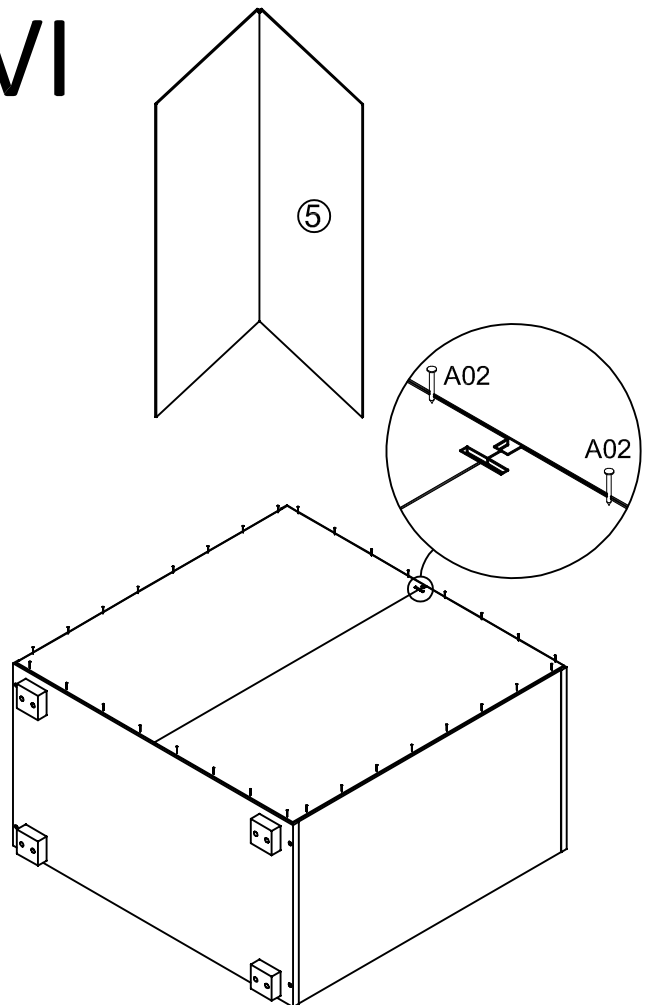
IV



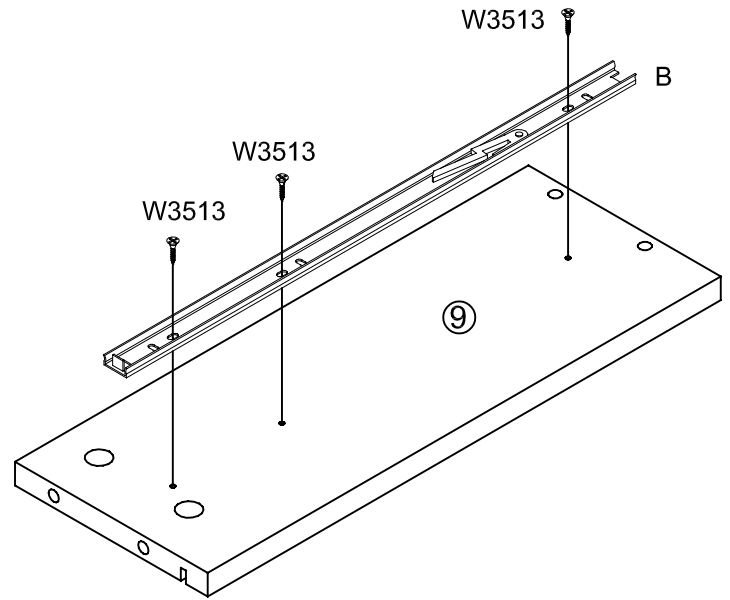
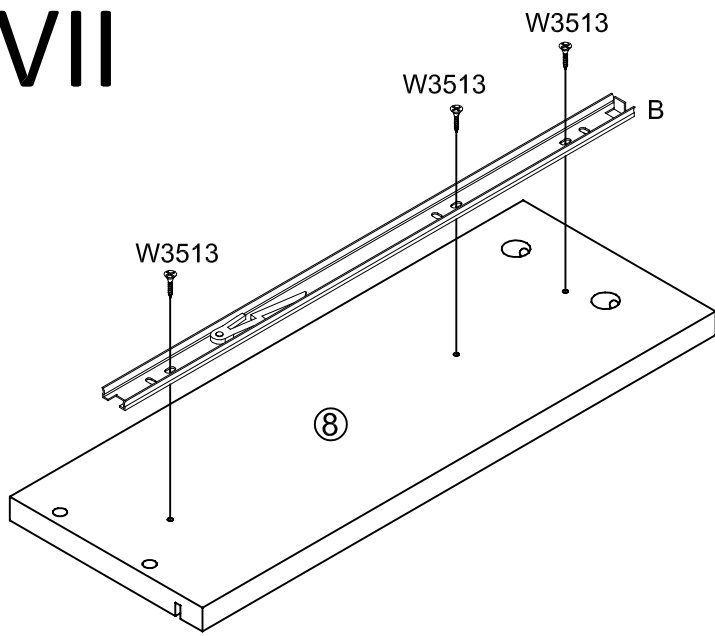
V



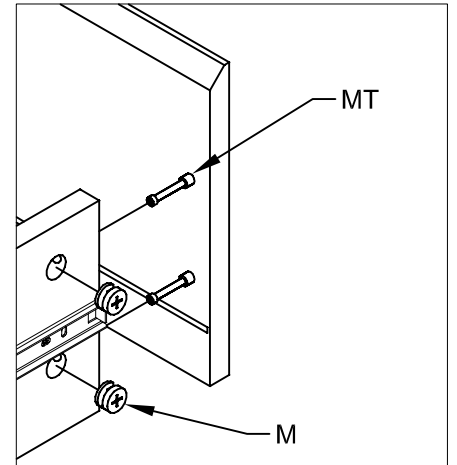
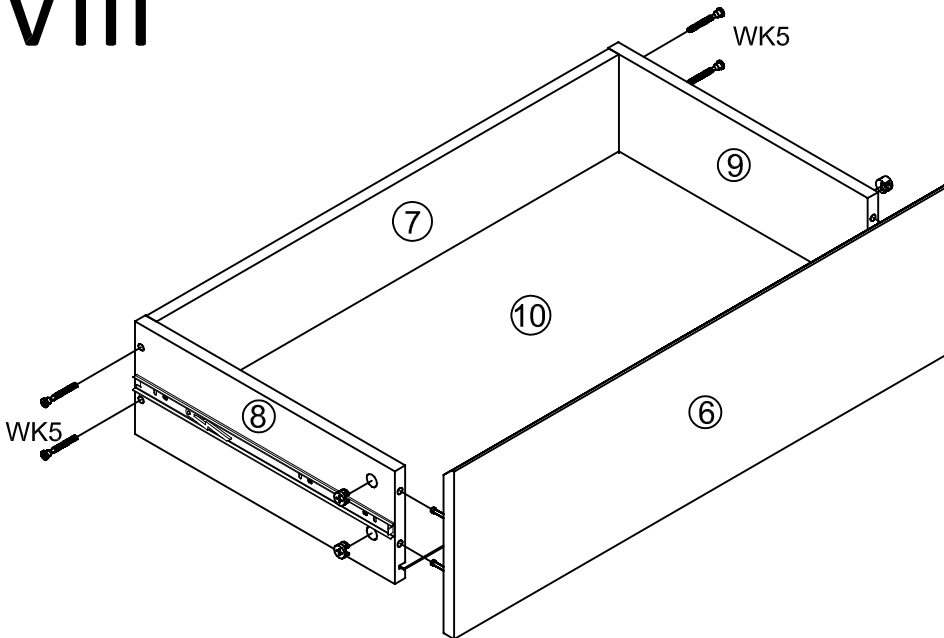
VI



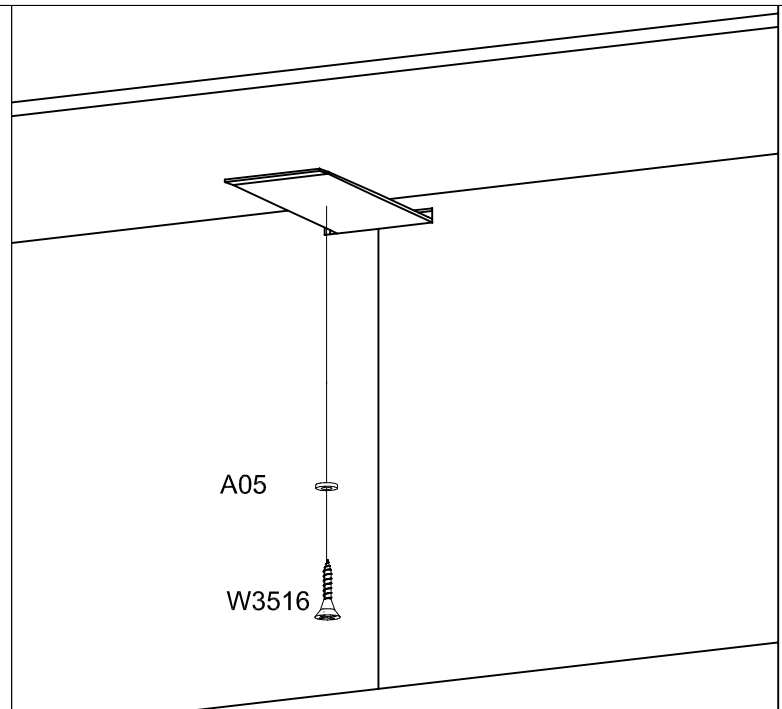
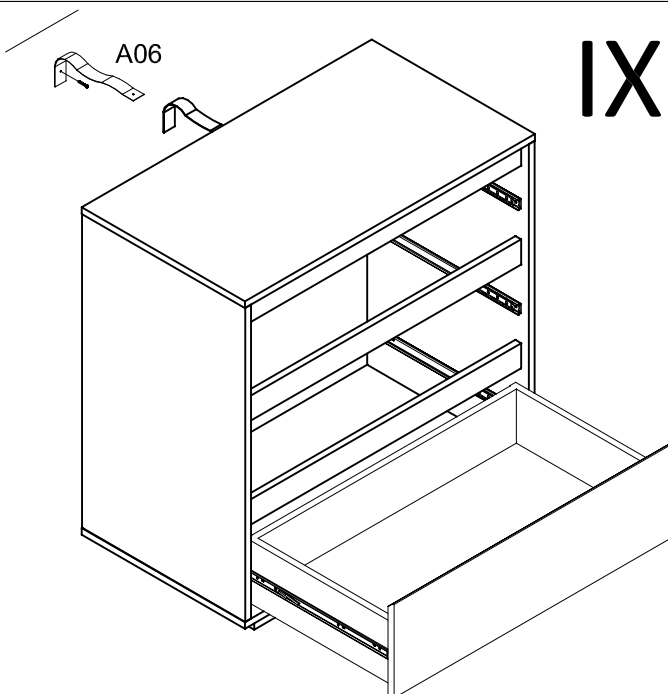
VII



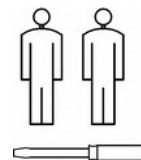
VIII

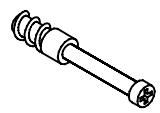
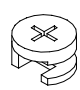
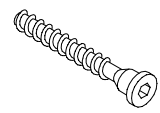
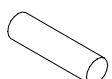
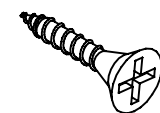
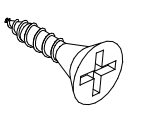
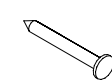
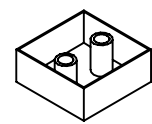
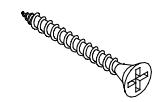
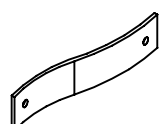

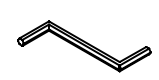
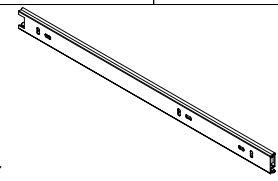


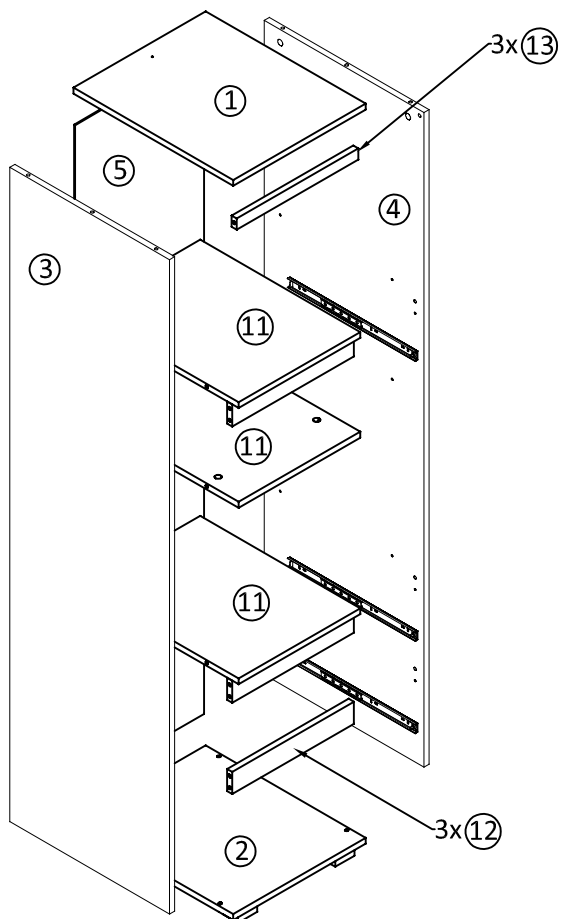
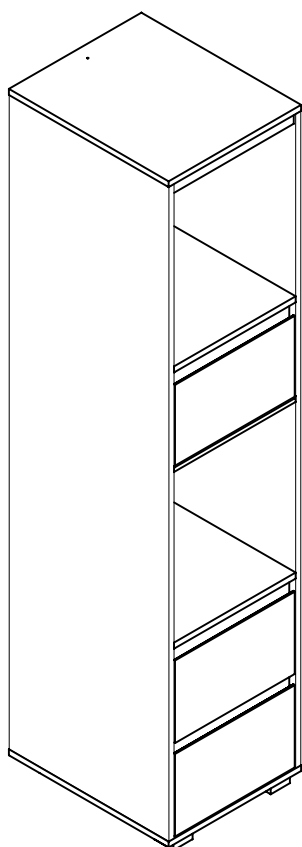
IX

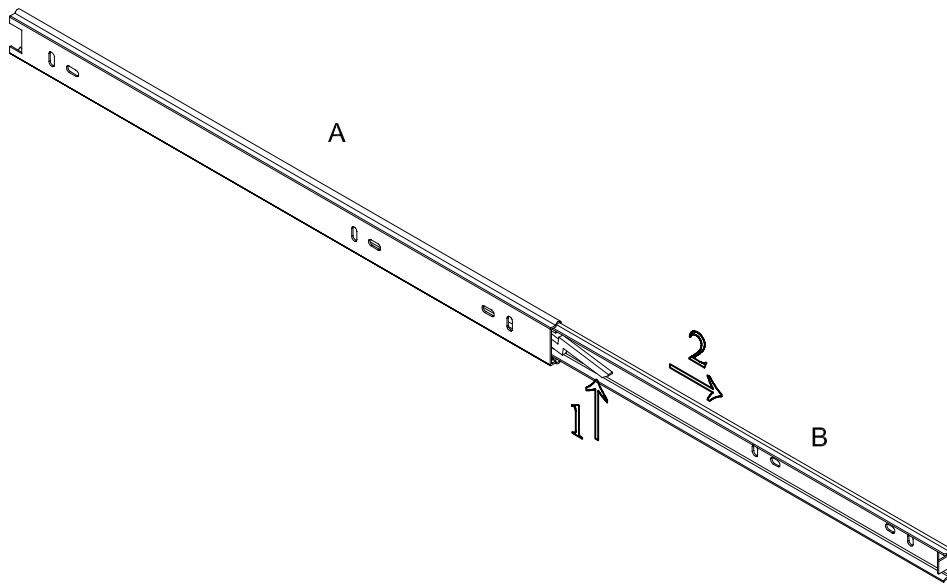
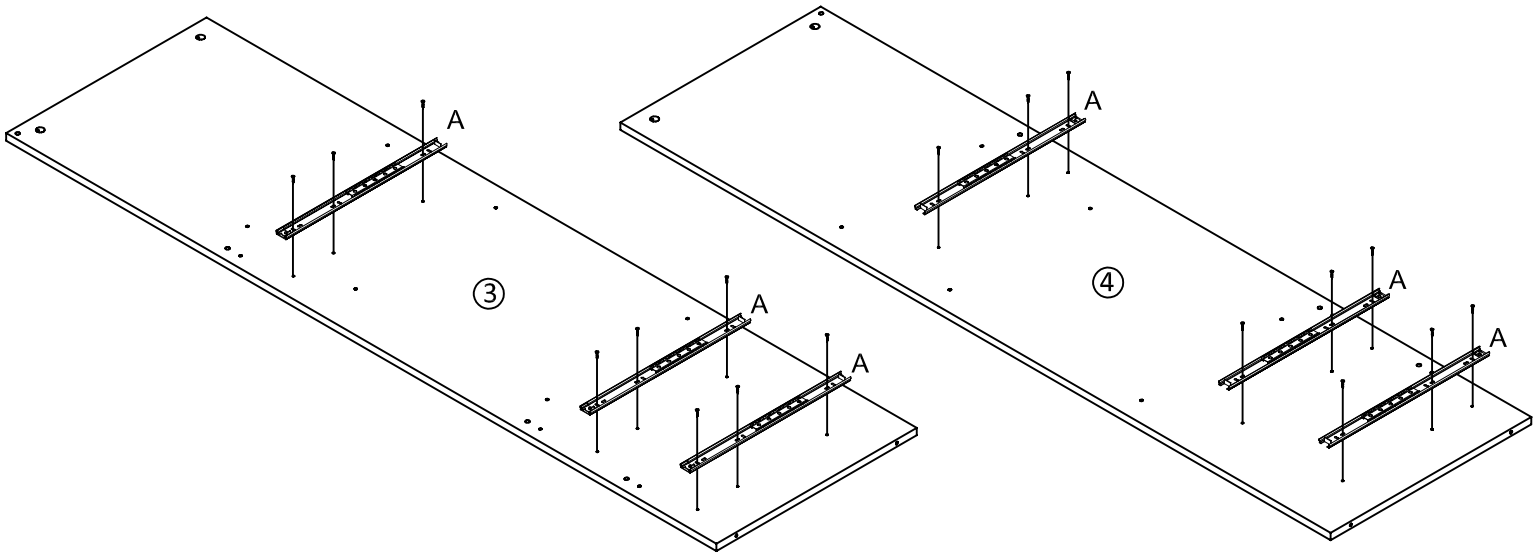
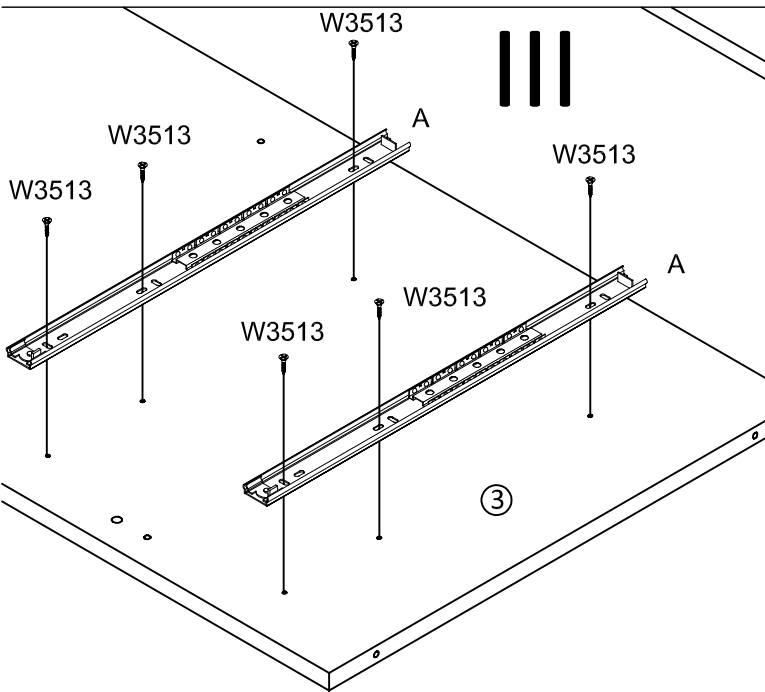
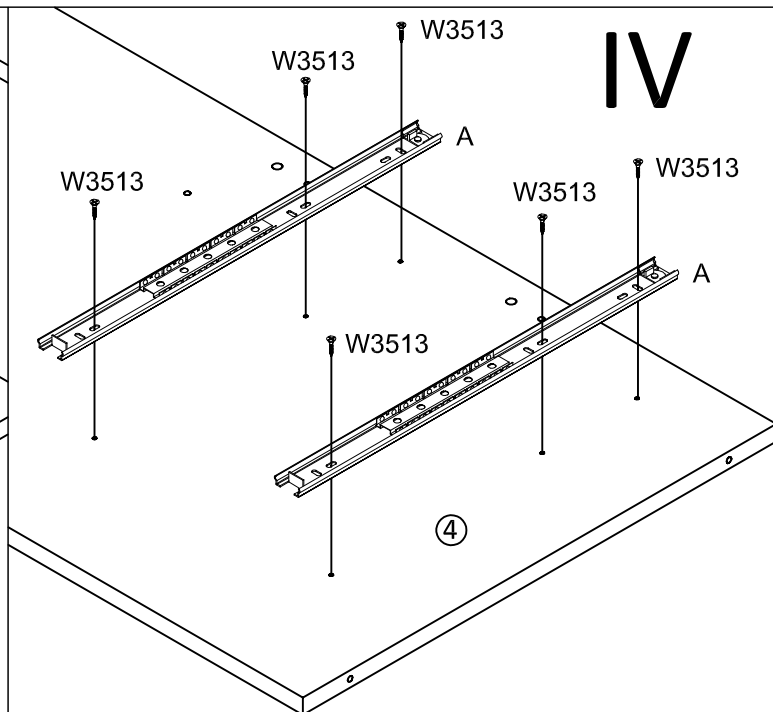


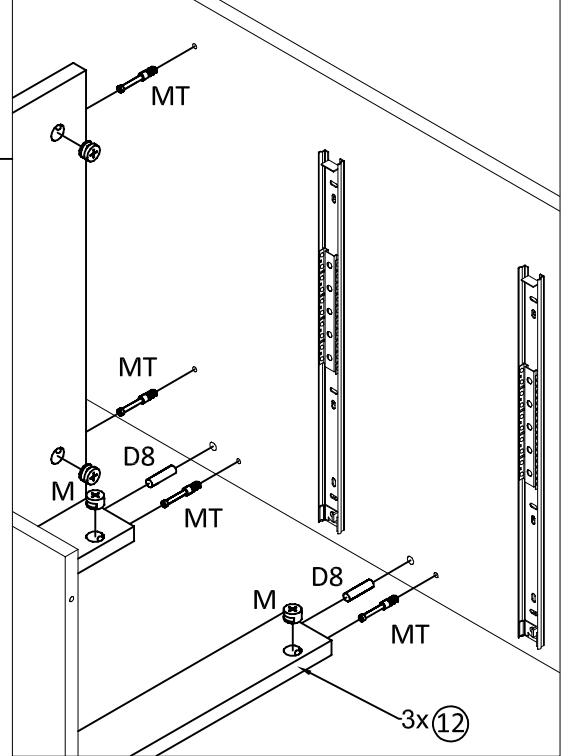
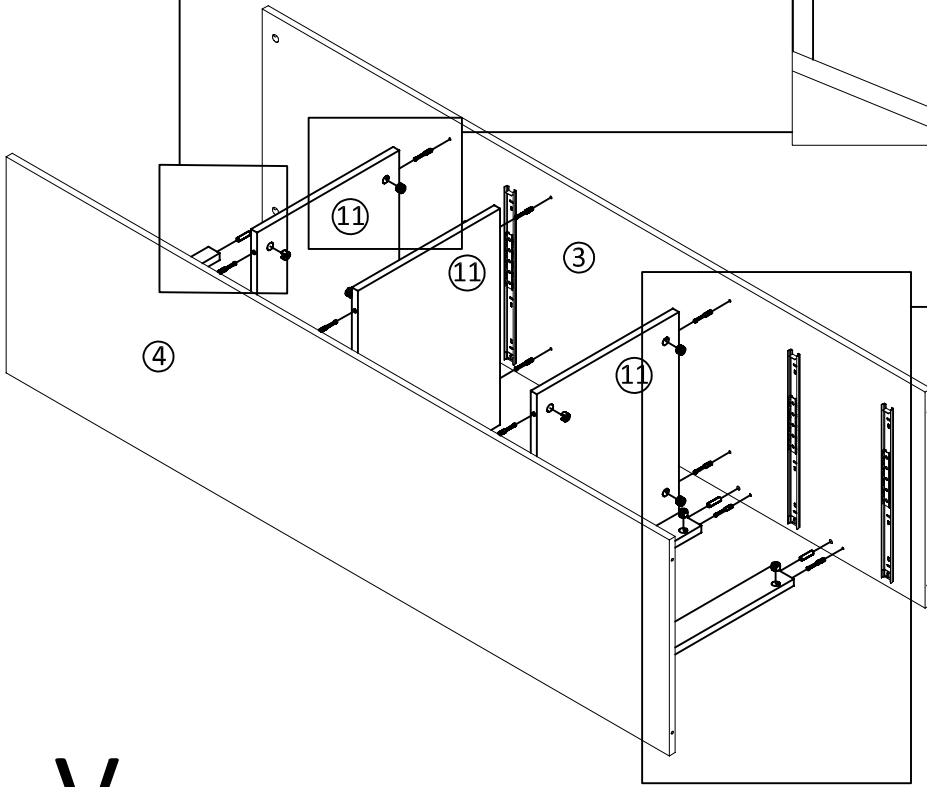
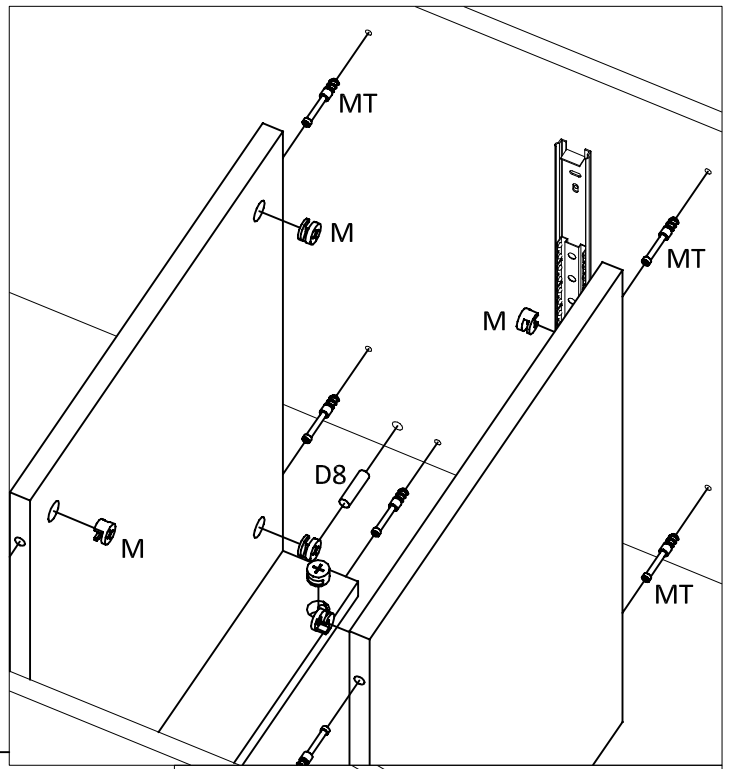
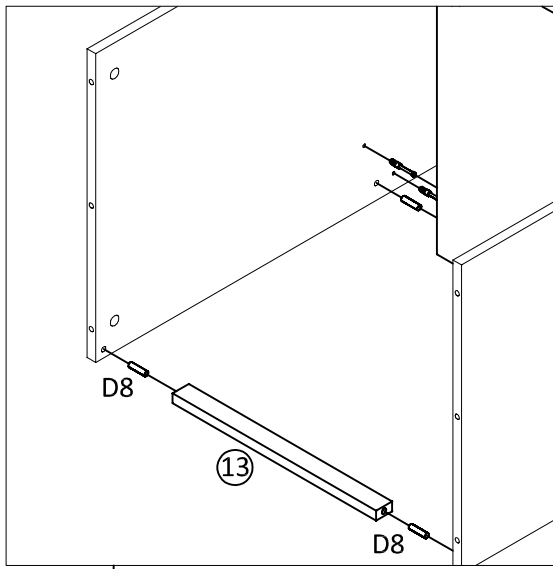
DALIA



 MT x34	 M x34	 WK5 x16	 D8 x10	 W3516 x1	 W3513 x36
 A02 x40	 S2 x4	 W3530 x8	 A06 x1	 A05 x1	 A01 x1
		 PK x6			

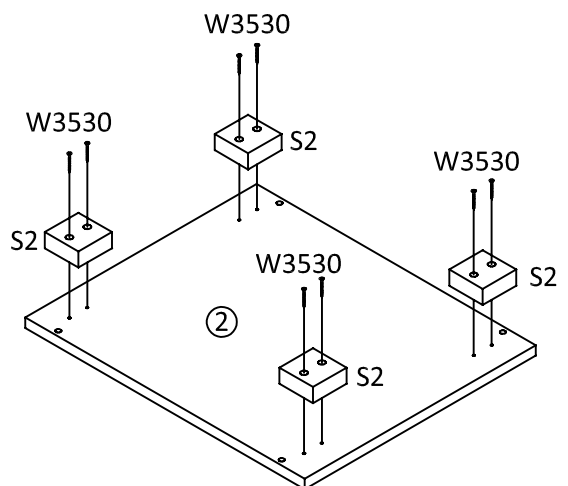
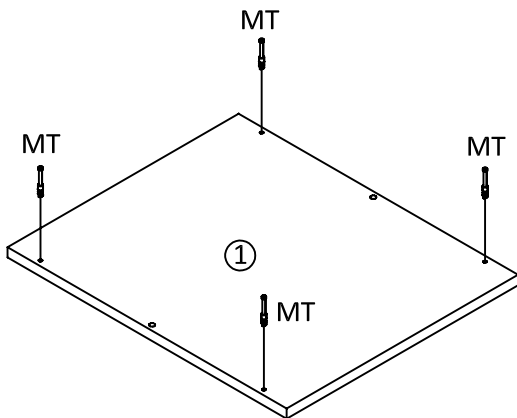


I**II****III****IV**

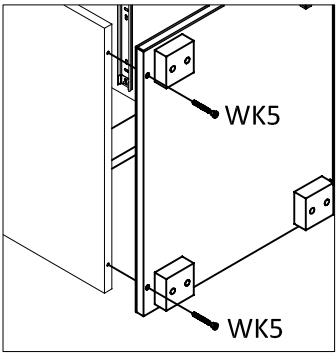
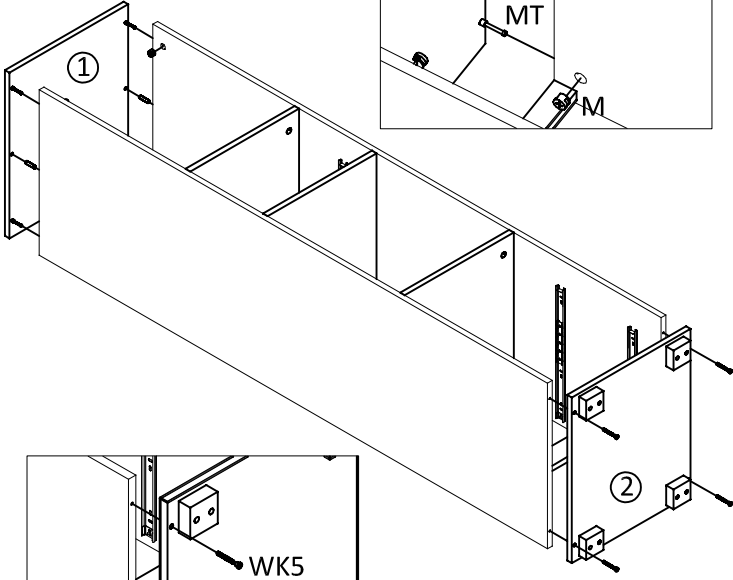
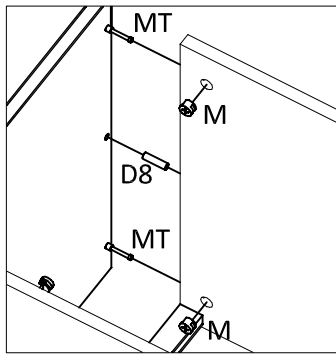


V

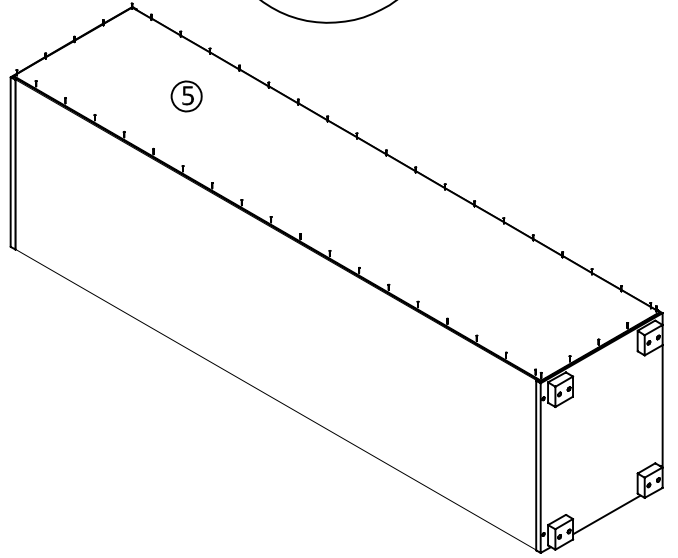
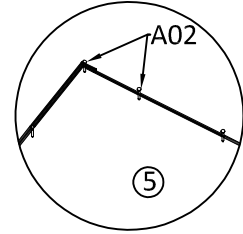
VI



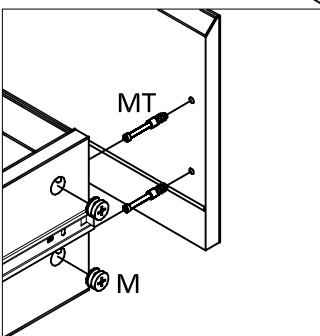
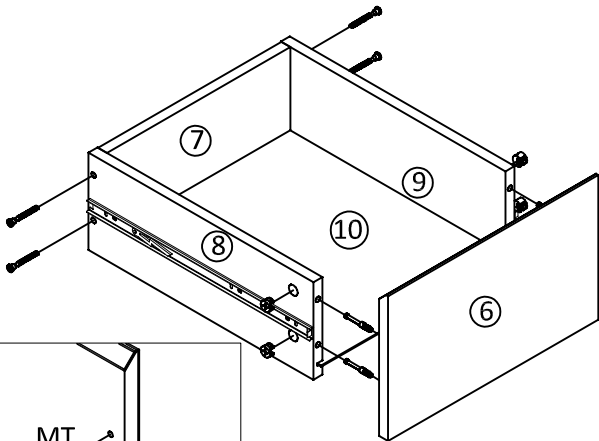
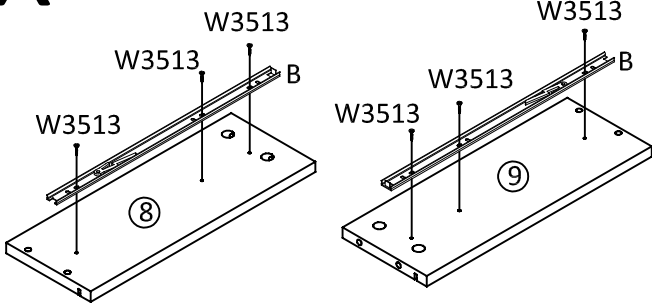
VII



VII



IX



X

