

Hall voltage sensor

Model: HV25

Closed loop current type, PCB welding type;
Current limiting resistance and sampling resistance
external. Detect DC, AC and pulse voltage.

Technical Index:

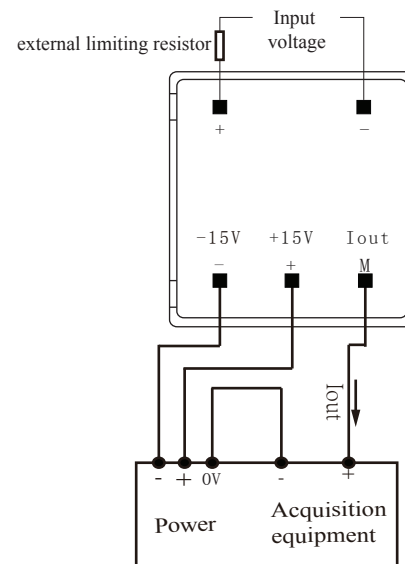
- Flame resistance: UL94-V0
- Working temperature: $-10 \sim +70^{\circ}\text{C}$
- Storage temperature: $-25 \sim +70^{\circ}\text{C}$
- Dielectric strength: 2.5KV 50Hz 1min

Electrical parameters:

I_{PN}	Rated input	± 5	± 10	mA
I_{PM}	Input measured range	± 7	± 14	mA
I_{OUT}	Rated output	± 25	± 25	mA
X	Accuracy	0.5		%
ϵ_L	Linearity	0.2		%
V_C	Supply voltage($\pm 5\%$)	$\pm 12 / \pm 15$		V
I_C	Current consumption	± 12		mA + I _s
R_L	Load impedance	-		Ω
I_{OE}	Zero offset TA=25 $^{\circ}\text{C}$	$\leq \pm 0.15$		mA
T_R	Response time	40~200		μs
N.W	Weight	21		g



Connection diagram:



Dimensions (in mm) :

