

VEVOR[®]

TOUGH TOOLS, HALF PRICE

Technical Support and E-Warranty Certificate

www.vevor.com/support

Outdoor Wall-mounted Handrail

MODEL: HR-09

We continue to be committed to provide you tools with competitive price.

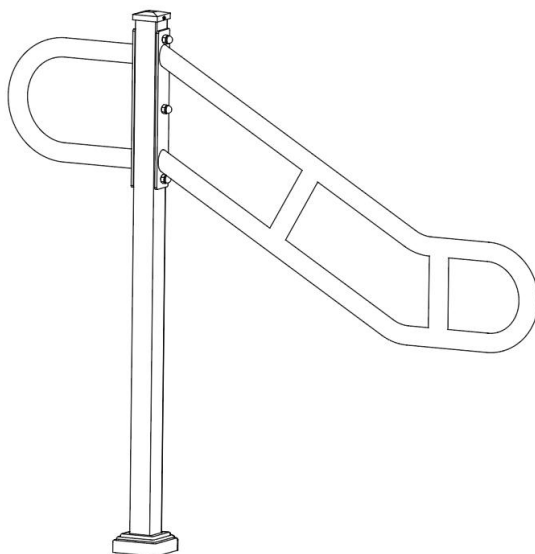
"Save Half", "Half Price" or any other similar expressions used by us only represents an estimate of savings you might benefit from buying certain tools with us compared to the major top brands and does not necessarily mean to cover all categories of tools offered by us. You are kindly reminded to verify carefully when you are placing an order with us if you are actually saving half in comparison with the top major brands.

VEVOR®

TOUGH TOOLS, HALF PRICE

Outdoor Wall-mounted Handrail

MODEL: HR-09



NEED HELP? CONTACT US!

Have product questions? Need technical support? Please feel free to contact us:

Technical Support and E-Warranty Certificate
www.vevor.com/support

This is the original instruction, please read all manual instructions carefully before operating. VEVOR reserves a clear interpretation of our user manual. The appearance of the product shall be subject to the product you received. Please forgive us that we won't inform you again if there are any technology or software updates on our product.

SAFE INSTRUCTIONS

CAUTION: carefully read instructions and procedures for safe operations. Failure to do so can result in serious injury.



WARNING:




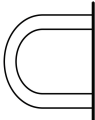
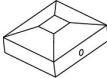
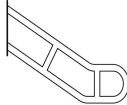




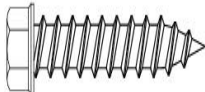
1. Before using the handrail, ensure that the handrail is securely installed to prevent personal injury and accidents.
2. When using the handrail, do not overload the handrail to avoid personal injury or accident.
3. Do not draw, cut, or use sharp objects on the handrail to avoid damage.
4. If you need to disassemble the handrail, please follow the reverse steps to disassemble it and store it properly.
5. This product is not a toy. Do not allow children to play with this item.

Assembly precautions

1. Assemble only according to these instructions. Improper assembly can create hazards.
2. Wear ANSI-approved safety goggles and heavy-duty work gloves during assembly.
3. Keep assembly area clean and well lit.
4. Keep bystanders out of the area during assembly.
5. Do not assemble when tired or when under the influence of alcohol, drugs or medication.
6. Product capabilities apply to properly and completely assembled product only.
7. For additional information regarding the parts listed in the following pages, please refer to the Assembly Diagram of this manual. Unwrap and separate all parts in a clean work area.
8. For safety reasons, This hardware is recommended to be installed by 2 people

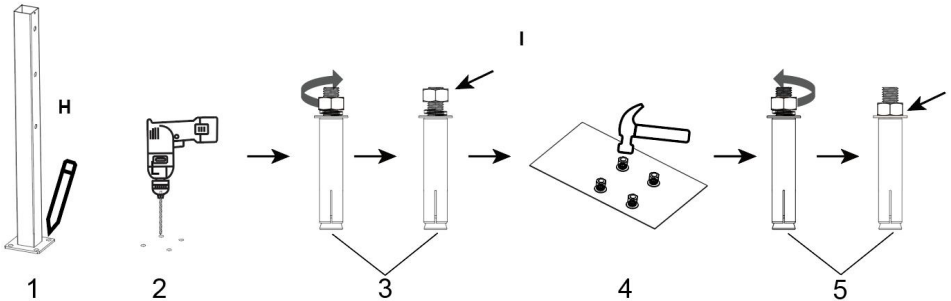
SAVE THESE INSTRUCTIONS

Part List

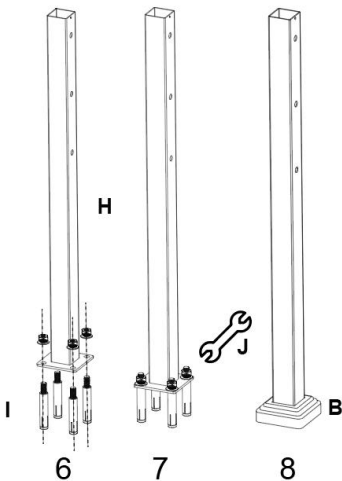
NO.	Name	Picture	Qty.
A	Nut M8		3
B	Lid		1
C	Screw M8*55		3
D	Short Handrail		1
E	Top Cap		1
F	Long Handrail		1
G	Screw M4*8		1
H	Pillar		1
I	Expansion Screw		4
J	Wrench		1
K	Screw M6*40		4

Product Installation

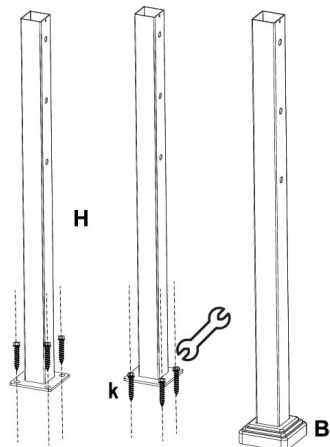
Step1:



- 1. Use the H bracket to place on the ground to draw the positioning circle.
- 2. Drill holes in the locating ring.
- 3. Before installing the expansionscrews, twist the nut to the top.
- 4. Then set the expansion screws into the pre-drilled holes, use a hammer to gently tap the head of the expansion screw to get it completely into the hole.
- 5. Tighten the nut. When the nut begins to tighten, the anchor inside the expansion screw expands and locks securely to the hole wall.



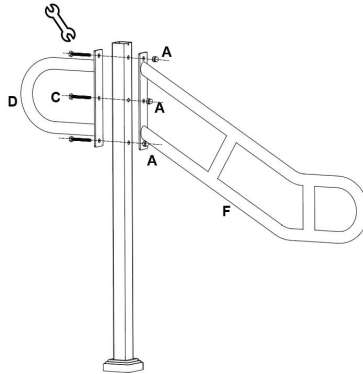
Concrete Ground
Assembly Method



Wooden Ground
Assembly Method

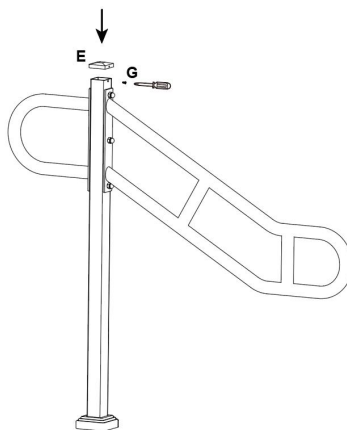
- 6. Unscrew the nuts of the expansion screws completely, Put the H bracket on the pre-embedded expansion screws.
- 7. Tighten the nut with a small wrench.
- 8. Put on the B fitting to cover the screws.

Step 2:



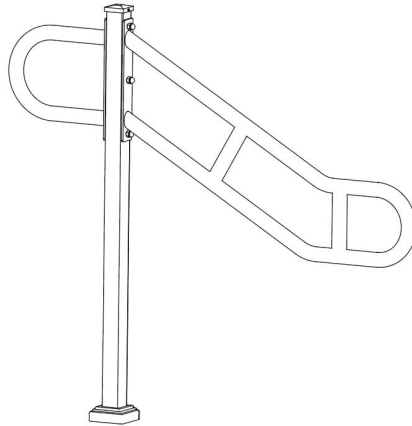
Secure the D fitting and F fitting to the H bracket and tighten the screws and nuts with a wrench.

Step 3:



Attach the E fitting to the H bracket and tighten it with a screwdriver.

Step 4:



Done!

Manufacturer: Shanghaimuxinmuyeyouxiangongsi

Address: Shuangchenglu 803nong11hao1602A-1609shi, baoshanqu, shanghai 200000 CN.

Imported to AUS: SIHAO PTY LTD. 1 ROKEVA STREETEASTWOOD NSW 2122 Australia

Imported to USA: Sanven Technology Ltd. Suite 250, 9166 Anaheim Place, Rancho Cucamonga, CA 91730

UK	REP
-----------	------------

YH CONSULTING LIMITED.
C/O YH Consulting Limited Office 147,
Centurion House, London Road,
Staines-upon-Thames, Surrey, TW18 4AX

EC	REP
-----------	------------

E-CrossStu GmbH
Mainzer Landstr.69,
60329 Frankfurt am Main.

VEVOR[®]

TOUGH TOOLS, HALF PRICE

Technical Support and E-Warranty Certificate

www.vevor.com/support

VEVOR[®]

TOUGH TOOLS, HALF PRICE

Technical Support and E-Warranty Certificate

www.vevor.com/support

Outdoor Wall-mounted Handrail

MODEL: HR-09

We continue to be committed to provide you tools with competitive price.

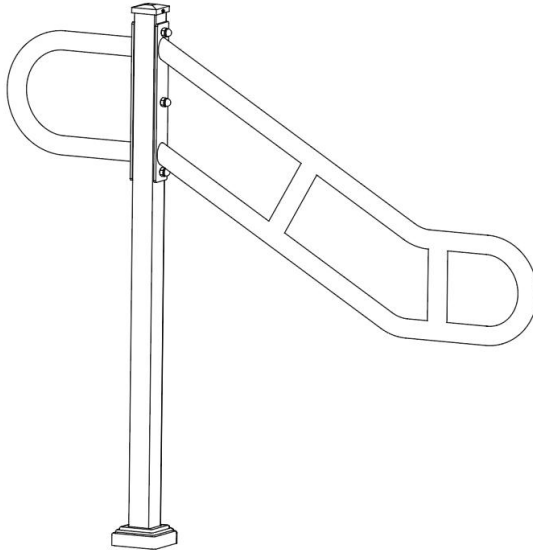
"Save Half", "Half Price" or any other similar expressions used by us only represents an estimate of savings you might benefit from buying certain tools with us compared to the major top brands and does not necessarily mean to cover all categories of tools offered by us. You are kindly reminded to verify carefully when you are placing an order with us if you are actually saving half in comparison with the top major brands.

VEVOR®

TOUGH TOOLS, HALF PRICE

Outdoor Wall-mounted
Handrail

MODEL: HR-09



NEED HELP? CONTACT US!

Have product questions? Need technical support? Please feel free to contact us:

Technical Support and E-Warranty Certificate
www.vevor.com/support

This is the original instruction, please read all manual instructions carefully before operating. VEVOR reserves a clear interpretation of our user manual. The appearance of the product shall be subject to the product you received. Please forgive us that we won't inform you again if there are any technology or software updates on our product.

SAFE INSTRUCTIONS

CAUTION: carefully read instructions and procedures for safe operations. Failure to do so can result in serious injury.



WARNING:




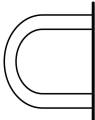
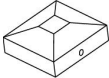
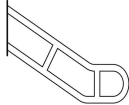




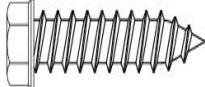
1. Before using the handrail, ensure that the handrail is securely installed to prevent personal injury and accidents.
2. When using the handrail, do not overload the handrail to avoid personal injury or accident.
3. Do not draw, cut, or use sharp objects on the handrail to avoid damage.
4. If you need to disassemble the handrail, please follow the reverse steps to disassemble it and store it properly.
5. This product is not a toy. Do not allow children to play with this item.

Assembly precautions

1. Assemble only according to these instructions. Improper assembly can create hazards.
2. Wear ANSI-approved safety goggles and heavy-duty work gloves during assembly.
3. Keep assembly area clean and well lit.
4. Keep bystanders out of the area during assembly.
5. Do not assemble when tired or when under the influence of alcohol, drugs or medication.
6. Product capabilities apply to properly and completely assembled product only.
7. For additional information regarding the parts listed in the following pages, please refer to the Assembly Diagram of this manual. Unwrap and separate all parts in a clean work area.
8. For safety reasons, This hardware is recommended to be installed by 2 people

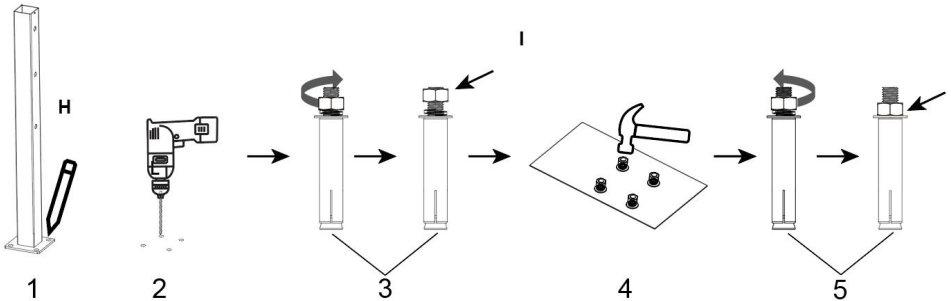
SAVE THESE INSTRUCTIONS

Part List

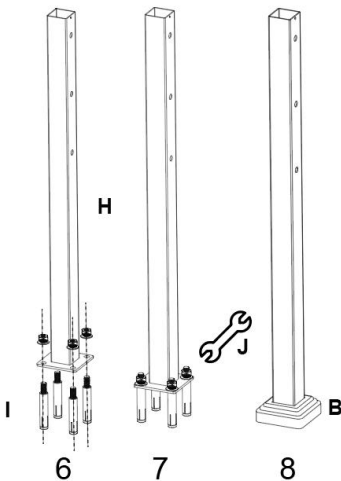
NO.	Name	Picture	Qty.
A	Nut M8		3
B	Lid		1
C	Screw M8*55		3
D	Short Handrail		1
E	Top Cap		1
F	Long Handrail		1
G	Screw M4*8		1
H	Pillar		1
I	Expansion Screw		4
J	Wrench		1
K	Screw M6*40		4

Product Installation

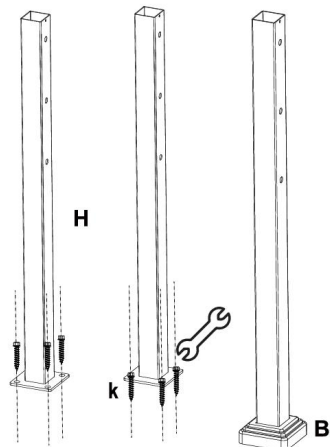
Step1:



- 1. Use the H bracket to place on the ground to draw the positioning circle.
- 2. Drill holes in the locating ring.
- 3. Before installing the expansionscrews, twist the nut to the top.
- 4. Then set the expansion screws into the pre-drilled holes, use a hammer to gently tap the head of the expansion screw to get it completely into the hole.
- 5. Tighten the nut. When the nut begins to tighten, the anchor inside the expansion screw expands and locks securely to the hole wall.



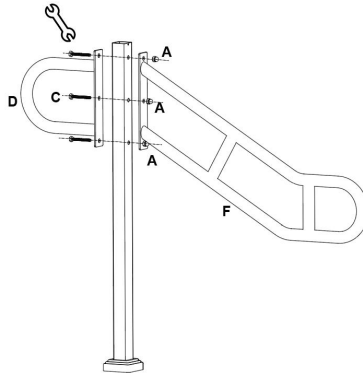
Concrete Ground
Assembly Method



Wooden Ground
Assembly Method

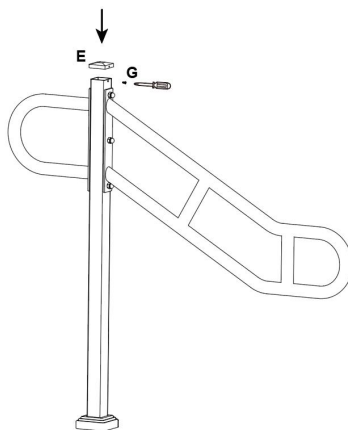
- 6. Unscrew the nuts of the expansion screws completely, Put the H bracket on the pre-embedded expansion screws.
- 7. Tighten the nut with a small wrench.
- 8. Put on the B fitting to cover the screws.

Step 2:



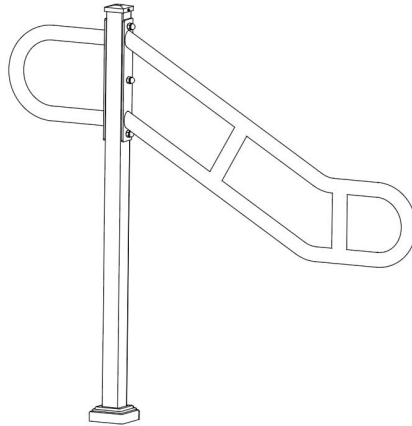
Secure the D fitting and F fitting to the H bracket and tighten the screws and nuts with a wrench.

Step 3:



Attach the E fitting to the H bracket and tighten it with a screwdriver.

Step 4:



Done!

Manufacturer: Shanghaimuxinmuyeyouxiangongsi

Address: Shuangchenglu 803nong11hao1602A-1609shi, baoshanqu, shanghai 200000 CN.

Imported to AUS: SIHAO PTY LTD. 1 ROKEVA STREETEASTWOOD NSW 2122 Australia

Imported to USA: Sanven Technology Ltd. Suite 250, 9166 Anaheim Place, Rancho Cucamonga, CA 91730

UK	REP
-----------	------------

YH CONSULTING LIMITED.
C/O YH Consulting Limited Office 147,
Centurion House, London Road,
Staines-upon-Thames, Surrey, TW18 4AX

EC	REP
-----------	------------

E-CrossStu GmbH
Mainzer Landstr.69,
60329 Frankfurt am Main.

VEVOR[®]

TOUGH TOOLS, HALF PRICE

Technical Support and E-Warranty Certificate

www.vevor.com/support

VEVOR[®]

TOUGH TOOLS, HALF PRICE

Technical Support and E-Warranty Certificate

www.vevor.com/support

Outdoor Wall-mounted Handrail

MODEL: HR-09

We continue to be committed to provide you tools with competitive price.

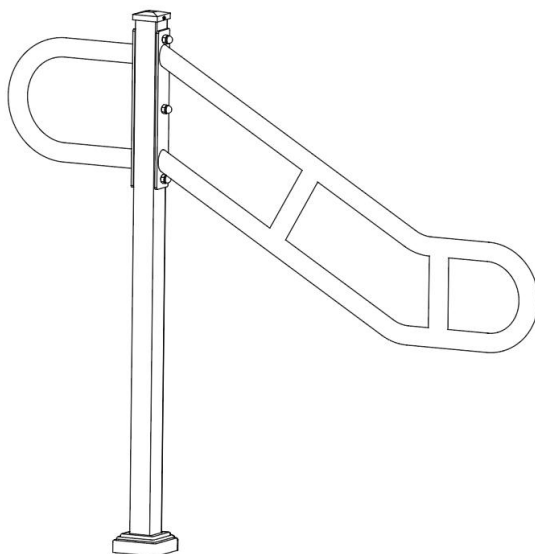
"Save Half", "Half Price" or any other similar expressions used by us only represents an estimate of savings you might benefit from buying certain tools with us compared to the major top brands and does not necessarily mean to cover all categories of tools offered by us. You are kindly reminded to verify carefully when you are placing an order with us if you are actually saving half in comparison with the top major brands.

VEVOR®

TOUGH TOOLS, HALF PRICE

Outdoor Wall-mounted Handrail

MODEL: HR-09



NEED HELP? CONTACT US!

Have product questions? Need technical support? Please feel free to contact us:

Technical Support and E-Warranty Certificate
www.vevor.com/support

This is the original instruction, please read all manual instructions carefully before operating. VEVOR reserves a clear interpretation of our user manual. The appearance of the product shall be subject to the product you received. Please forgive us that we won't inform you again if there are any technology or software updates on our product.

SAFE INSTRUCTIONS

CAUTION: carefully read instructions and procedures for safe operations. Failure to do so can result in serious injury.



WARNING:




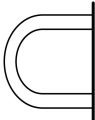
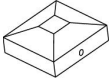
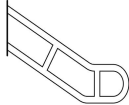




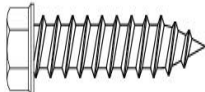
1. Before using the handrail, ensure that the handrail is securely installed to prevent personal injury and accidents.
2. When using the handrail, do not overload the handrail to avoid personal injury or accident.
3. Do not draw, cut, or use sharp objects on the handrail to avoid damage.
4. If you need to disassemble the handrail, please follow the reverse steps to disassemble it and store it properly.
5. This product is not a toy. Do not allow children to play with this item.

Assembly precautions

1. Assemble only according to these instructions. Improper assembly can create hazards.
2. Wear ANSI-approved safety goggles and heavy-duty work gloves during assembly.
3. Keep assembly area clean and well lit.
4. Keep bystanders out of the area during assembly.
5. Do not assemble when tired or when under the influence of alcohol, drugs or medication.
6. Product capabilities apply to properly and completely assembled product only.
7. For additional information regarding the parts listed in the following pages, please refer to the Assembly Diagram of this manual. Unwrap and separate all parts in a clean work area.
8. For safety reasons, This hardware is recommended to be installed by 2 people

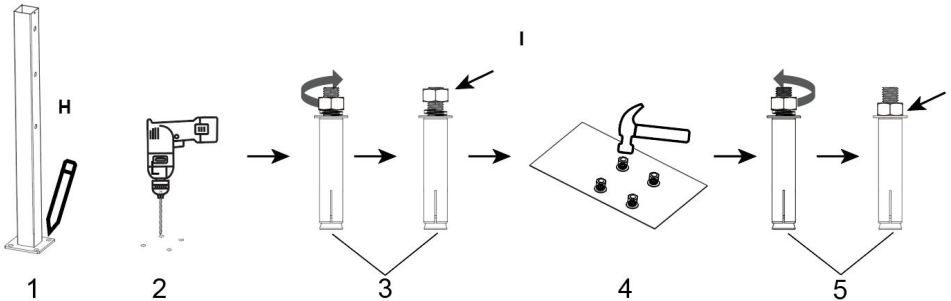
SAVE THESE INSTRUCTIONS

Part List

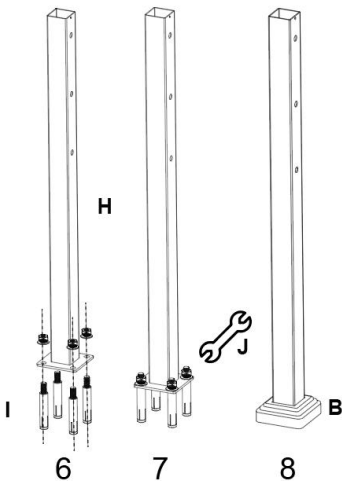
NO.	Name	Picture	Qty.
A	Nut M8		3
B	Lid		1
C	Screw M8*55		3
D	Short Handrail		1
E	Top Cap		1
F	Long Handrail		1
G	Screw M4*8		1
H	Pillar		1
I	Expansion Screw		4
J	Wrench		1
K	Screw M6*40		4

Product Installation

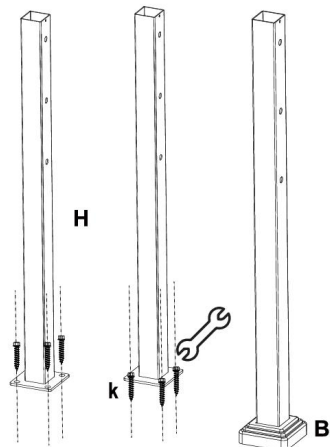
Step1:



- 1. Use the H bracket to place on the ground to draw the positioning circle.
- 2. Drill holes in the locating ring.
- 3. Before installing the expansionscrews, twist the nut to the top.
- 4. Then set the expansion screws into the pre-drilled holes, use a hammer to gently tap the head of the expansion screw to get it completely into the hole.
- 5. Tighten the nut. When the nut begins to tighten, the anchor inside the expansion screw expands and locks securely to the hole wall.



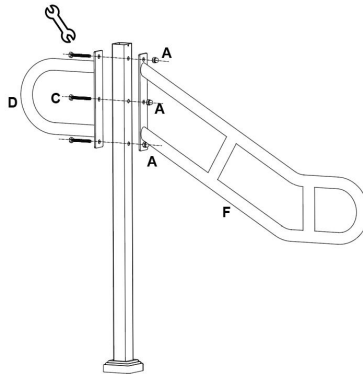
Concrete Ground
Assembly Method



Wooden Ground
Assembly Method

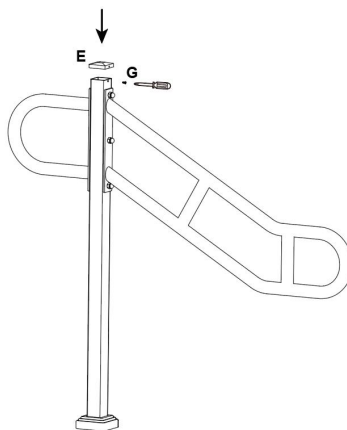
- 6. Unscrew the nuts of the expansion screws completely, Put the H bracket on the pre-embedded expansion screws.
- 7. Tighten the nut with a small wrench.
- 8. Put on the B fitting to cover the screws.

Step 2:



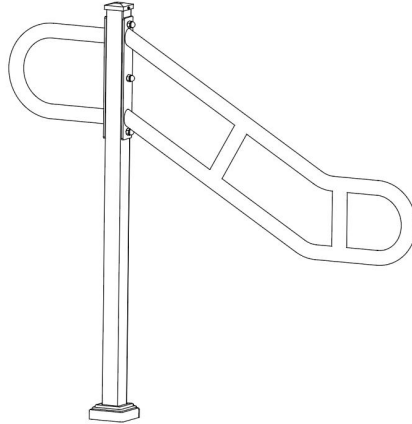
Secure the D fitting and F fitting to the H bracket and tighten the screws and nuts with a wrench.

Step 3:



Attach the E fitting to the H bracket and tighten it with a screwdriver.

Step 4:



Done!

Manufacturer: Shanghaimuxinmuyeyouxiangongsi

Address: Shuangchenglu 803nong11hao1602A-1609shi, baoshanqu, shanghai 200000 CN.

Imported to AUS: SIHAO PTY LTD. 1 ROKEVA STREET EASTWOOD NSW 2122 Australia

Imported to USA: Sanven Technology Ltd. Suite 250, 9166 Anaheim Place, Rancho Cucamonga, CA 91730

UK	REP
-----------	------------

YH CONSULTING LIMITED.

C/O YH Consulting Limited Office 147,
Centurion House, London Road,
Staines-upon-Thames, Surrey, TW18 4AX

EC	REP
-----------	------------

E-CrossStu GmbH
Mainzer Landstr.69,
60329 Frankfurt am Main.

VEVOR[®]

TOUGH TOOLS, HALF PRICE

Technical Support and E-Warranty Certificate

www.vevor.com/support

VEVOR[®]

TOUGH TOOLS, HALF PRICE

Technical Support and E-Warranty Certificate

www.vevor.com/support

Outdoor Wall-mounted Handrail

MODEL: HR-09

We continue to be committed to provide you tools with competitive price.

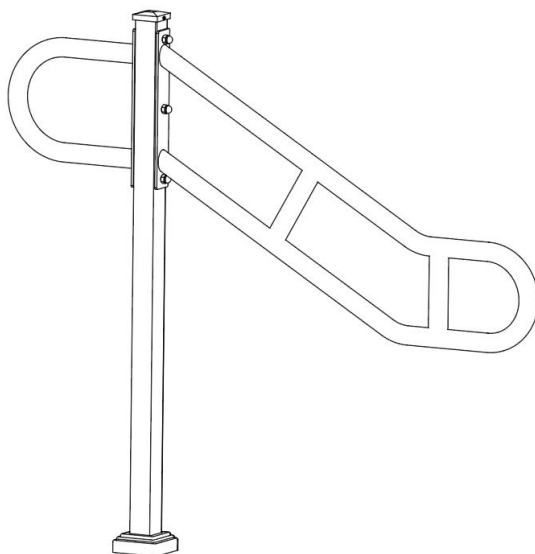
"Save Half", "Half Price" or any other similar expressions used by us only represents an estimate of savings you might benefit from buying certain tools with us compared to the major top brands and does not necessarily mean to cover all categories of tools offered by us. You are kindly reminded to verify carefully when you are placing an order with us if you are actually saving half in comparison with the top major brands.

VEVOR[®]

TOUGH TOOLS, HALF PRICE

Outdoor Wall-mounted Handrail

MODEL: HR-09



NEED HELP? CONTACT US!

Have product questions? Need technical support? Please feel free to contact us:

Technical Support and E-Warranty Certificate
www.vevor.com/support

This is the original instruction, please read all manual instructions carefully before operating. VEVOR reserves a clear interpretation of our user manual. The appearance of the product shall be subject to the product you received. Please forgive us that we won't inform you again if there are any technology or software updates on our product.

SAFE INSTRUCTIONS

CAUTION: carefully read instructions and procedures for safe operations. Failure to do so can result in serious injury.



WARNING:




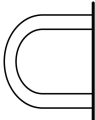
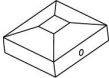
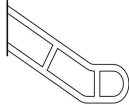




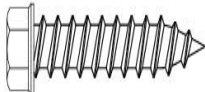
1. Before using the handrail, ensure that the handrail is securely installed to prevent personal injury and accidents.
2. When using the handrail, do not overload the handrail to avoid personal injury or accident.
3. Do not draw, cut, or use sharp objects on the handrail to avoid damage.
4. If you need to disassemble the handrail, please follow the reverse steps to disassemble it and store it properly.
5. This product is not a toy. Do not allow children to play with this item.

Assembly precautions

1. Assemble only according to these instructions. Improper assembly can create hazards.
2. Wear ANSI-approved safety goggles and heavy-duty work gloves during assembly.
3. Keep assembly area clean and well lit.
4. Keep bystanders out of the area during assembly.
5. Do not assemble when tired or when under the influence of alcohol, drugs or medication.
6. Product capabilities apply to properly and completely assembled product only.
7. For additional information regarding the parts listed in the following pages, please refer to the Assembly Diagram of this manual. Unwrap and separate all parts in a clean work area.
8. For safety reasons, This hardware is recommended to be installed by 2 people

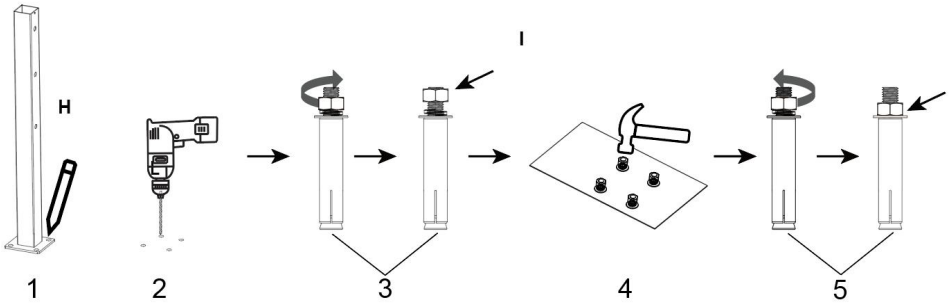
SAVE THESE INSTRUCTIONS

Part List

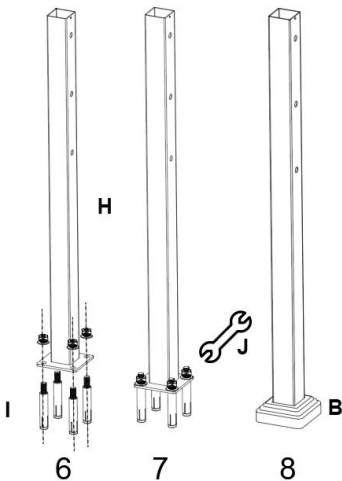
NO.	Name	Picture	Qty.
A	Nut M8		3
B	Lid		1
C	Screw M8*55		3
D	Short Handrail		1
E	Top Cap		1
F	Long Handrail		1
G	Screw M4*8		1
H	Pillar		1
I	Expansion Screw		4
J	Wrench		1
K	Screw M6*40		4

Product Installation

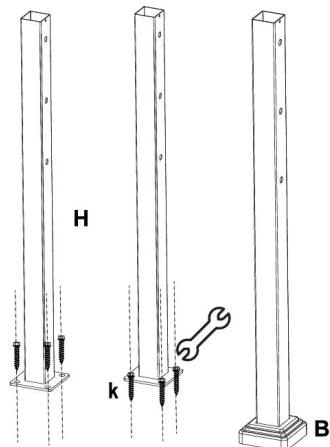
Step1:



- 1. Use the H bracket to place on the ground to draw the positioning circle.
- 2. Drill holes in the locating ring.
- 3. Before installing the expansionscrews, twist the nut to the top.
- 4. Then set the expansion screws into the pre-drilled holes, use a hammer to gently tap the head of the expansion screw to get it completely into the hole.
- 5. Tighten the nut. When the nut begins to tighten, the anchor inside the expansion screw expands and locks securely to the hole wall.



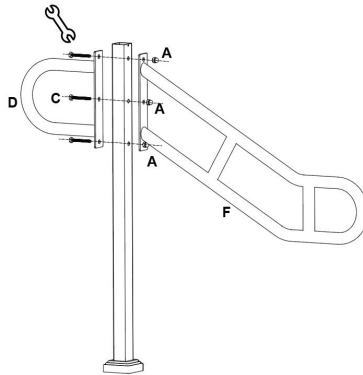
Concrete Ground
Assembly Method



Wooden Ground
Assembly Method

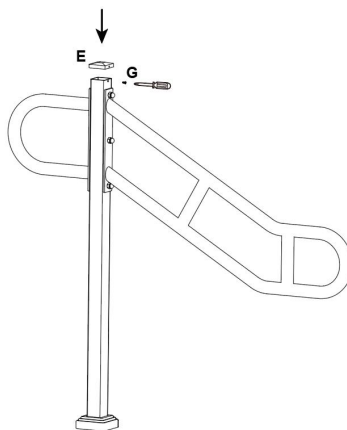
- 6. Unscrew the nuts of the expansion screws completely, Put the H bracket on the pre-embedded expansion screws.
- 7. Tighten the nut with a small wrench.
- 8. Put on the B fitting to cover the screws.

Step 2:



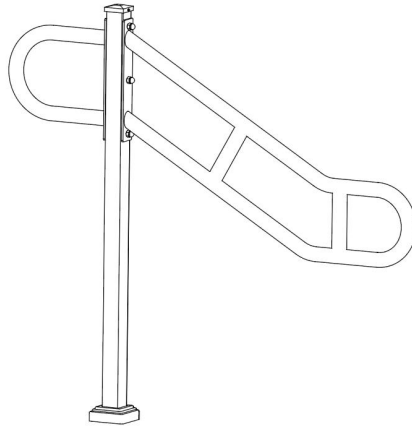
Secure the D fitting and F fitting to the H bracket and tighten the screws and nuts with a wrench.

Step 3:



Attach the E fitting to the H bracket and tighten it with a screwdriver.

Step 4:



Done!

Manufacturer: Shanghaimuxinmuyeyouxiangongsi

Address: Shuangchenglu 803nong11hao1602A-1609shi, baoshanqu, shanghai 200000 CN.

Imported to AUS: SIHAO PTY LTD. 1 ROKEVA STREETEASTWOOD NSW 2122 Australia

Imported to USA: Sanven Technology Ltd. Suite 250, 9166 Anaheim Place, Rancho Cucamonga, CA 91730

UK	REP
-----------	------------

YH CONSULTING LIMITED.
C/O YH Consulting Limited Office 147,
Centurion House, London Road,
Staines-upon-Thames, Surrey, TW18 4AX

EC	REP
-----------	------------

E-CrossStu GmbH
Mainzer Landstr.69,
60329 Frankfurt am Main.

VEVOR[®]

TOUGH TOOLS, HALF PRICE

Technical Support and E-Warranty Certificate

www.vevor.com/support

VEVOR[®]

TOUGH TOOLS, HALF PRICE

Technical Support and E-Warranty Certificate

www.vevor.com/support

Outdoor Wall-mounted Handrail

MODEL: HR-09

We continue to be committed to provide you tools with competitive price.

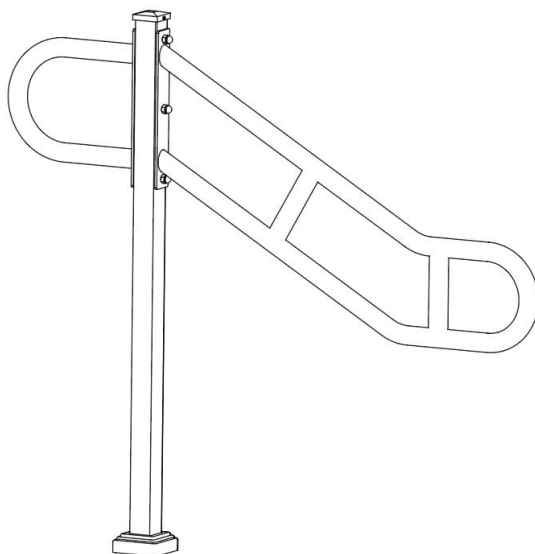
"Save Half", "Half Price" or any other similar expressions used by us only represents an estimate of savings you might benefit from buying certain tools with us compared to the major top brands and does not necessarily mean to cover all categories of tools offered by us. You are kindly reminded to verify carefully when you are placing an order with us if you are actually saving half in comparison with the top major brands.

VEVOR®

TOUGH TOOLS, HALF PRICE

Outdoor Wall-mounted Handrail

MODEL: HR-09



NEED HELP? CONTACT US!

Have product questions? Need technical support? Please feel free to contact us:

Technical Support and E-Warranty Certificate
www.vevor.com/support

This is the original instruction, please read all manual instructions carefully before operating. VEVOR reserves a clear interpretation of our user manual. The appearance of the product shall be subject to the product you received. Please forgive us that we won't inform you again if there are any technology or software updates on our product.

SAFE INSTRUCTIONS

CAUTION: carefully read instructions and procedures for safe operations. Failure to do so can result in serious injury.



WARNING:




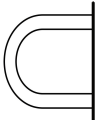
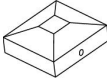
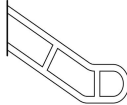




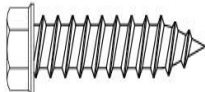
1. Before using the handrail, ensure that the handrail is securely installed to prevent personal injury and accidents.
2. When using the handrail, do not overload the handrail to avoid personal injury or accident.
3. Do not draw, cut, or use sharp objects on the handrail to avoid damage.
4. If you need to disassemble the handrail, please follow the reverse steps to disassemble it and store it properly.
5. This product is not a toy. Do not allow children to play with this item.

Assembly precautions

1. Assemble only according to these instructions. Improper assembly can create hazards.
2. Wear ANSI-approved safety goggles and heavy-duty work gloves during assembly.
3. Keep assembly area clean and well lit.
4. Keep bystanders out of the area during assembly.
5. Do not assemble when tired or when under the influence of alcohol, drugs or medication.
6. Product capabilities apply to properly and completely assembled product only.
7. For additional information regarding the parts listed in the following pages, please refer to the Assembly Diagram of this manual. Unwrap and separate all parts in a clean work area.
8. For safety reasons, This hardware is recommended to be installed by 2 people

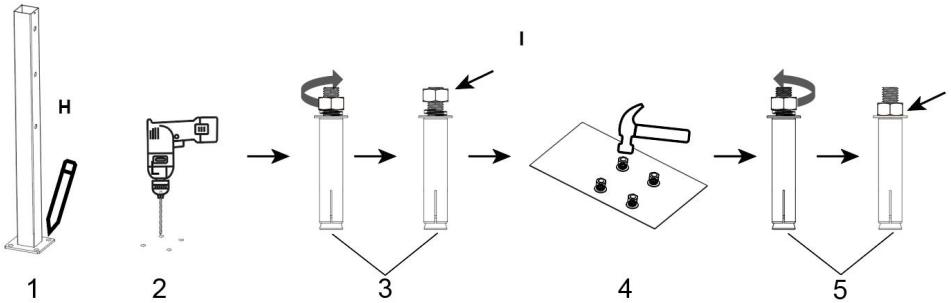
SAVE THESE INSTRUCTIONS

Part List

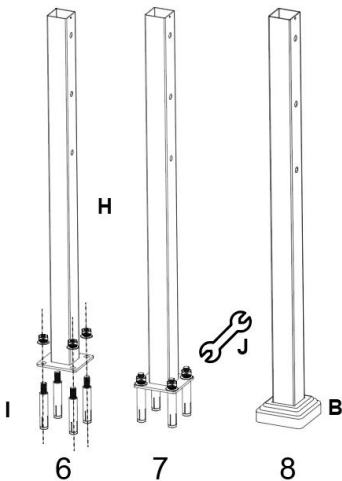
NO.	Name	Picture	Qty.
A	Nut M8		3
B	Lid		1
C	Screw M8*55		3
D	Short Handrail		1
E	Top Cap		1
F	Long Handrail		1
G	Screw M4*8		1
H	Pillar		1
I	Expansion Screw		4
J	Wrench		1
K	Screw M6*40		4

Product Installation

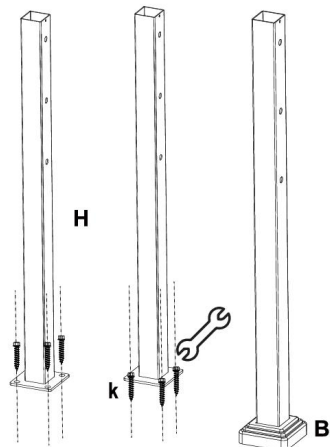
Step1:



- 1. Use the H bracket to place on the ground to draw the positioning circle.
- 2. Drill holes in the locating ring.
- 3. Before installing the expansionscrews, twist the nut to the top.
- 4. Then set the expansion screws into the pre-drilled holes, use a hammer to gently tap the head of the expansion screw to get it completely into the hole.
- 5. Tighten the nut. When the nut begins to tighten, the anchor inside the expansion screw expands and locks securely to the hole wall.



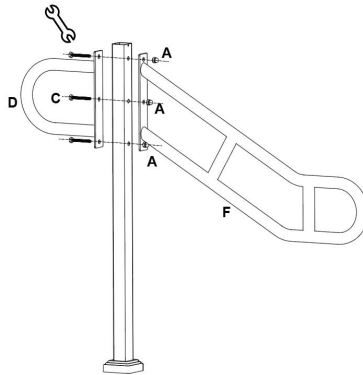
Concrete Ground
Assembly Method



Wooden Ground
Assembly Method

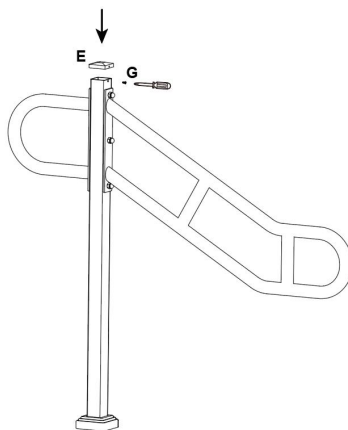
- 6. Unscrew the nuts of the expansion screws completely, Put the H bracket on the pre-embedded expansion screws.
- 7. Tighten the nut with a small wrench.
- 8. Put on the B fitting to cover the screws.

Step 2:



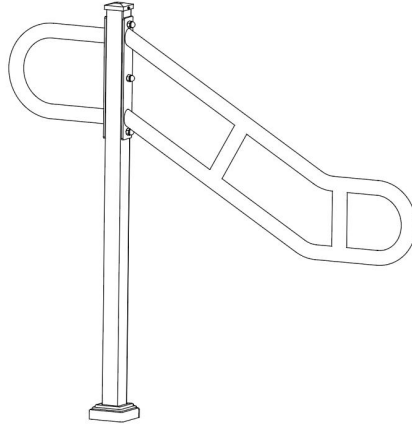
Secure the D fitting and F fitting to the H bracket and tighten the screws and nuts with a wrench.

Step 3:



Attach the E fitting to the H bracket and tighten it with a screwdriver.

Step 4:



Done!

Manufacturer: Shanghaimuxinmuyeyouxiangongsi

Address: Shuangchenglu 803nong11hao1602A-1609shi, baoshanqu, shanghai 200000 CN.

Imported to AUS: SIHAO PTY LTD. 1 ROKEVA STREETEASTWOOD NSW 2122 Australia

Imported to USA: Sanven Technology Ltd. Suite 250, 9166 Anaheim Place, Rancho Cucamonga, CA 91730

UK	REP
-----------	------------

YH CONSULTING LIMITED.

C/O YH Consulting Limited Office 147,
Centurion House, London Road,
Staines-upon-Thames, Surrey, TW18 4AX

EC	REP
-----------	------------

E-CrossStu GmbH

Mainzer Landstr.69,
60329 Frankfurt am Main.

VEVOR[®]

TOUGH TOOLS, HALF PRICE

Technical Support and E-Warranty Certificate

www.vevor.com/support

VEVOR[®]

TOUGH TOOLS, HALF PRICE

Technical Support and E-Warranty Certificate

www.vevor.com/support

Outdoor Wall-mounted Handrail

MODEL: HR-09

We continue to be committed to provide you tools with competitive price.

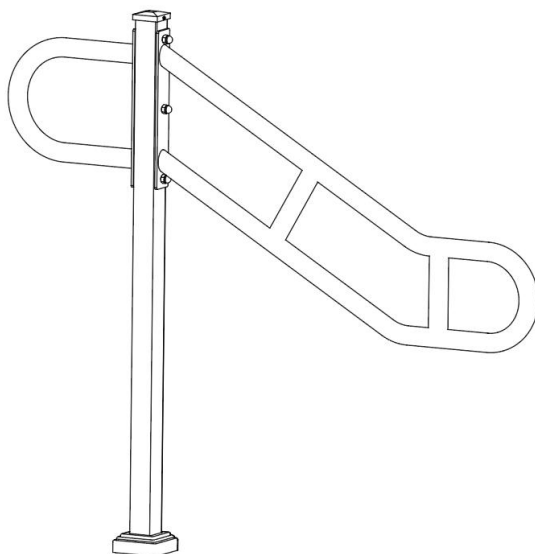
"Save Half", "Half Price" or any other similar expressions used by us only represents an estimate of savings you might benefit from buying certain tools with us compared to the major top brands and does not necessarily mean to cover all categories of tools offered by us. You are kindly reminded to verify carefully when you are placing an order with us if you are actually saving half in comparison with the top major brands.

VEVOR®

TOUGH TOOLS, HALF PRICE

Outdoor Wall-mounted Handrail

MODEL: HR-09



NEED HELP? CONTACT US!

Have product questions? Need technical support? Please feel free to contact us:

Technical Support and E-Warranty Certificate
www.vevor.com/support

This is the original instruction, please read all manual instructions carefully before operating. VEVOR reserves a clear interpretation of our user manual. The appearance of the product shall be subject to the product you received. Please forgive us that we won't inform you again if there are any technology or software updates on our product.

SAFE INSTRUCTIONS

CAUTION: carefully read instructions and procedures for safe operations. Failure to do so can result in serious injury.



WARNING:




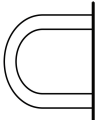
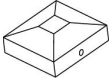
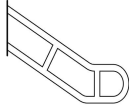




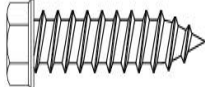
1. Before using the handrail, ensure that the handrail is securely installed to prevent personal injury and accidents.
2. When using the handrail, do not overload the handrail to avoid personal injury or accident.
3. Do not draw, cut, or use sharp objects on the handrail to avoid damage.
4. If you need to disassemble the handrail, please follow the reverse steps to disassemble it and store it properly.
5. This product is not a toy. Do not allow children to play with this item.

Assembly precautions

1. Assemble only according to these instructions. Improper assembly can create hazards.
2. Wear ANSI-approved safety goggles and heavy-duty work gloves during assembly.
3. Keep assembly area clean and well lit.
4. Keep bystanders out of the area during assembly.
5. Do not assemble when tired or when under the influence of alcohol, drugs or medication.
6. Product capabilities apply to properly and completely assembled product only.
7. For additional information regarding the parts listed in the following pages, please refer to the Assembly Diagram of this manual. Unwrap and separate all parts in a clean work area.
8. For safety reasons, This hardware is recommended to be installed by 2 people

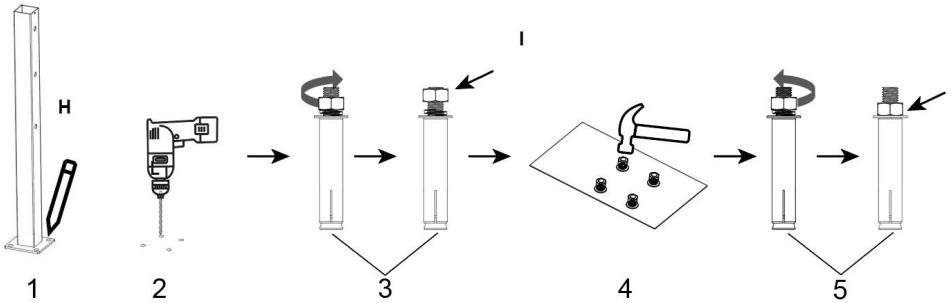
SAVE THESE INSTRUCTIONS

Part List

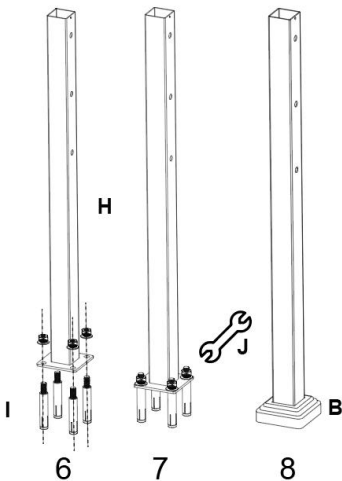
NO.	Name	Picture	Qty.
A	Nut M8		3
B	Lid		1
C	Screw M8*55		3
D	Short Handrail		1
E	Top Cap		1
F	Long Handrail		1
G	Screw M4*8		1
H	Pillar		1
I	Expansion Screw		4
J	Wrench		1
K	Screw M6*40		4

Product Installation

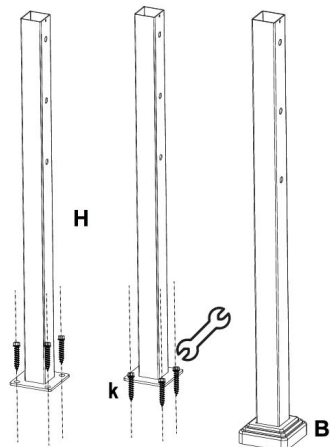
Step1:



- 1. Use the H bracket to place on the ground to draw the positioning circle.
- 2. Drill holes in the locating ring.
- 3. Before installing the expansionscrews, twist the nut to the top.
- 4. Then set the expansion screws into the pre-drilled holes, use a hammer to gently tap the head of the expansion screw to get it completely into the hole.
- 5. Tighten the nut. When the nut begins to tighten, the anchor inside the expansion screw expands and locks securely to the hole wall.



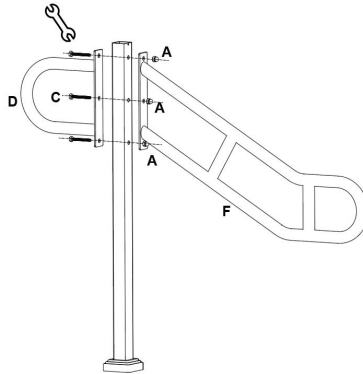
Concrete Ground
Assembly Method



Wooden Ground
Assembly Method

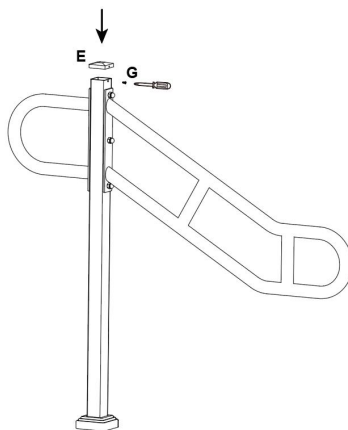
- 6. Unscrew the nuts of the expansion screws completely, Put the H bracket on the pre-embedded expansion screws.
- 7. Tighten the nut with a small wrench.
- 8. Put on the B fitting to cover the screws.

Step 2:



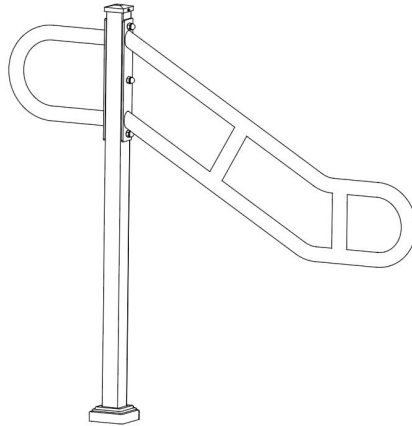
Secure the D fitting and F fitting to the H bracket and tighten the screws and nuts with a wrench.

Step 3:



Attach the E fitting to the H bracket and tighten it with a screwdriver.

Step 4:



Done!

Manufacturer: Shanghaimuxinmuyeyouxiangongsi

Address: Shuangchenglu 803nong11hao1602A-1609shi, baoshanqu, shanghai 200000 CN.

Imported to AUS: SIHAO PTY LTD. 1 ROKEVA STREETEASTWOOD NSW 2122 Australia

Imported to USA: Sanven Technology Ltd. Suite 250, 9166 Anaheim Place, Rancho Cucamonga, CA 91730

UK	REP
-----------	------------

YH CONSULTING LIMITED.
C/O YH Consulting Limited Office 147,
Centurion House, London Road,
Staines-upon-Thames, Surrey, TW18 4AX

EC	REP
-----------	------------

E-CrossStu GmbH
Mainzer Landstr.69,
60329 Frankfurt am Main.

VEVOR[®]

TOUGH TOOLS, HALF PRICE

Technical Support and E-Warranty Certificate

www.vevor.com/support

VEVOR[®]

TOUGH TOOLS, HALF PRICE

Technical Support and E-Warranty Certificate

www.vevor.com/support

Outdoor Wall-mounted Handrail

MODEL: HR-09

We continue to be committed to provide you tools with competitive price.

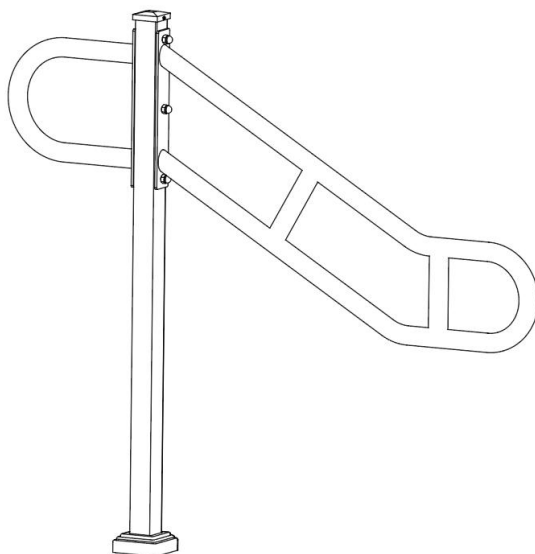
"Save Half", "Half Price" or any other similar expressions used by us only represents an estimate of savings you might benefit from buying certain tools with us compared to the major top brands and does not necessarily mean to cover all categories of tools offered by us. You are kindly reminded to verify carefully when you are placing an order with us if you are actually saving half in comparison with the top major brands.

VEVOR®

TOUGH TOOLS, HALF PRICE

Outdoor Wall-mounted Handrail

MODEL: HR-09



NEED HELP? CONTACT US!

Have product questions? Need technical support? Please feel free to contact us:

Technical Support and E-Warranty Certificate
www.vevor.com/support

This is the original instruction, please read all manual instructions carefully before operating. VEVOR reserves a clear interpretation of our user manual. The appearance of the product shall be subject to the product you received. Please forgive us that we won't inform you again if there are any technology or software updates on our product.

SAFE INSTRUCTIONS

CAUTION: carefully read instructions and procedures for safe operations. Failure to do so can result in serious injury.



WARNING:




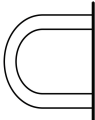
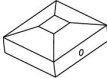
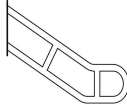




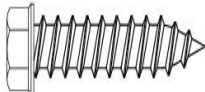
1. Before using the handrail, ensure that the handrail is securely installed to prevent personal injury and accidents.
2. When using the handrail, do not overload the handrail to avoid personal injury or accident.
3. Do not draw, cut, or use sharp objects on the handrail to avoid damage.
4. If you need to disassemble the handrail, please follow the reverse steps to disassemble it and store it properly.
5. This product is not a toy. Do not allow children to play with this item.

Assembly precautions

1. Assemble only according to these instructions. Improper assembly can create hazards.
2. Wear ANSI-approved safety goggles and heavy-duty work gloves during assembly.
3. Keep assembly area clean and well lit.
4. Keep bystanders out of the area during assembly.
5. Do not assemble when tired or when under the influence of alcohol, drugs or medication.
6. Product capabilities apply to properly and completely assembled product only.
7. For additional information regarding the parts listed in the following pages, please refer to the Assembly Diagram of this manual. Unwrap and separate all parts in a clean work area.
8. For safety reasons, This hardware is recommended to be installed by 2 people

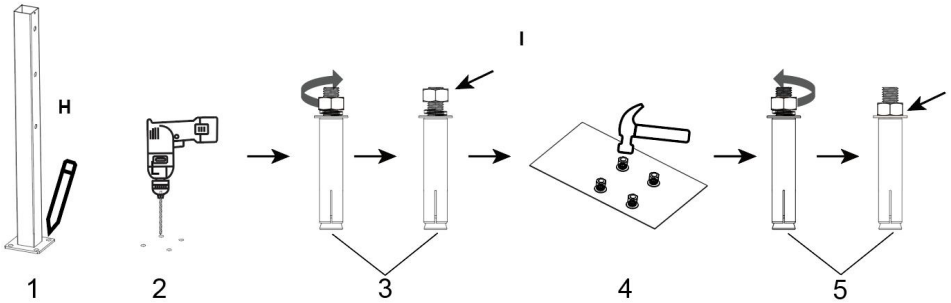
SAVE THESE INSTRUCTIONS

Part List

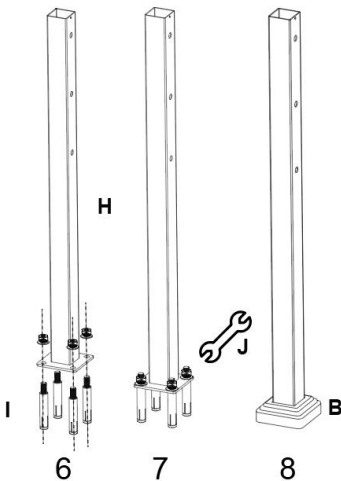
NO.	Name	Picture	Qty.
A	Nut M8		3
B	Lid		1
C	Screw M8*55		3
D	Short Handrail		1
E	Top Cap		1
F	Long Handrail		1
G	Screw M4*8		1
H	Pillar		1
I	Expansion Screw		4
J	Wrench		1
K	Screw M6*40		4

Product Installation

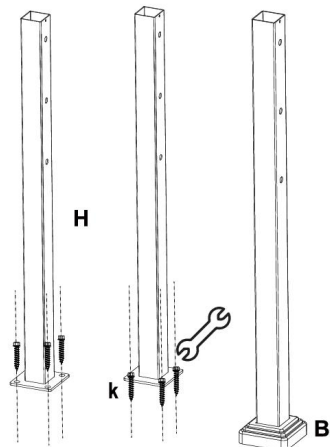
Step1:



- 1. Use the H bracket to place on the ground to draw the positioning circle.
- 2. Drill holes in the locating ring.
- 3. Before installing the expansionscrews, twist the nut to the top.
- 4. Then set the expansion screws into the pre-drilled holes, use a hammer to gently tap the head of the expansion screw to get it completely into the hole.
- 5. Tighten the nut. When the nut begins to tighten, the anchor inside the expansion screw expands and locks securely to the hole wall.



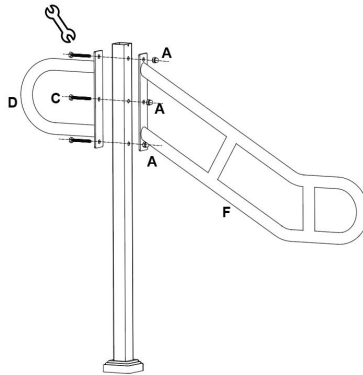
Concrete Ground
Assembly Method



Wooden Ground
Assembly Method

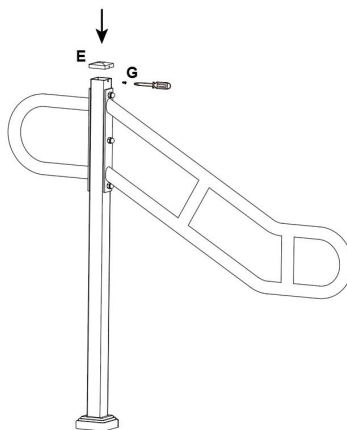
- 6. Unscrew the nuts of the expansion screws completely, Put the H bracket on the pre-embedded expansion screws.
- 7. Tighten the nut with a small wrench.
- 8. Put on the B fitting to cover the screws.

Step 2:



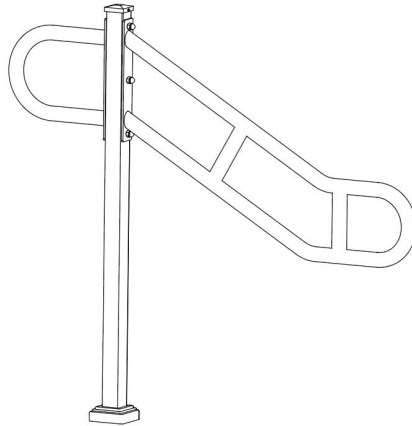
Secure the D fitting and F fitting to the H bracket and tighten the screws and nuts with a wrench.

Step 3:



Attach the E fitting to the H bracket and tighten it with a screwdriver.

Step 4:



Done!

Manufacturer: Shanghaimuxinmuyeyouxiangongsi

Address: Shuangchenglu 803nong11hao1602A-1609shi, baoshanqu, shanghai 200000 CN.

Imported to AUS: SIHAO PTY LTD. 1 ROKEVA STREETEASTWOOD NSW 2122 Australia

Imported to USA: Sanven Technology Ltd. Suite 250, 9166 Anaheim Place, Rancho Cucamonga, CA 91730

UK	REP
-----------	------------

YH CONSULTING LIMITED.
C/O YH Consulting Limited Office 147,
Centurion House, London Road,
Staines-upon-Thames, Surrey, TW18 4AX

EC	REP
-----------	------------

E-CrossStu GmbH
Mainzer Landstr.69,
60329 Frankfurt am Main.

VEVOR[®]

TOUGH TOOLS, HALF PRICE

Technical Support and E-Warranty Certificate

www.vevor.com/support

VEVOR[®]

TOUGH TOOLS, HALF PRICE

Technical Support and E-Warranty Certificate

www.vevor.com/support

Outdoor Wall-mounted Handrail

MODEL: HR-09

We continue to be committed to provide you tools with competitive price.

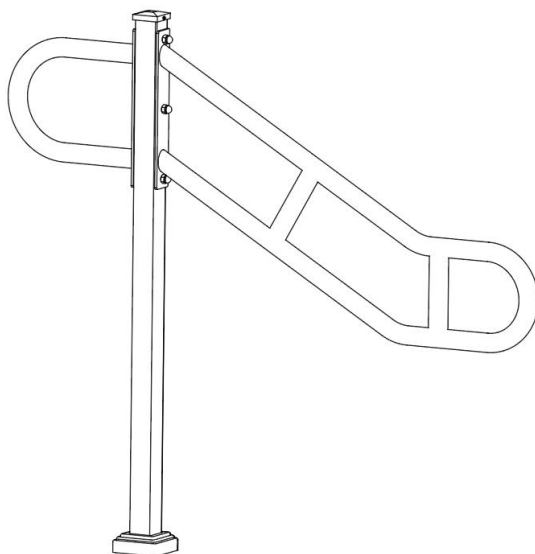
"Save Half", "Half Price" or any other similar expressions used by us only represents an estimate of savings you might benefit from buying certain tools with us compared to the major top brands and does not necessarily mean to cover all categories of tools offered by us. You are kindly reminded to verify carefully when you are placing an order with us if you are actually saving half in comparison with the top major brands.

VEVOR®

TOUGH TOOLS, HALF PRICE

Outdoor Wall-mounted Handrail

MODEL: HR-09



NEED HELP? CONTACT US!

Have product questions? Need technical support? Please feel free to contact us:

Technical Support and E-Warranty Certificate
www.vevor.com/support

This is the original instruction, please read all manual instructions carefully before operating. VEVOR reserves a clear interpretation of our user manual. The appearance of the product shall be subject to the product you received. Please forgive us that we won't inform you again if there are any technology or software updates on our product.

SAFE INSTRUCTIONS

CAUTION: carefully read instructions and procedures for safe operations. Failure to do so can result in serious injury.



WARNING:




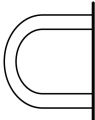
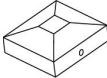
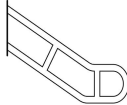




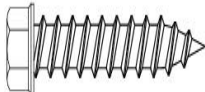
1. Before using the handrail, ensure that the handrail is securely installed to prevent personal injury and accidents.
2. When using the handrail, do not overload the handrail to avoid personal injury or accident.
3. Do not draw, cut, or use sharp objects on the handrail to avoid damage.
4. If you need to disassemble the handrail, please follow the reverse steps to disassemble it and store it properly.
5. This product is not a toy. Do not allow children to play with this item.

Assembly precautions

1. Assemble only according to these instructions. Improper assembly can create hazards.
2. Wear ANSI-approved safety goggles and heavy-duty work gloves during assembly.
3. Keep assembly area clean and well lit.
4. Keep bystanders out of the area during assembly.
5. Do not assemble when tired or when under the influence of alcohol, drugs or medication.
6. Product capabilities apply to properly and completely assembled product only.
7. For additional information regarding the parts listed in the following pages, please refer to the Assembly Diagram of this manual. Unwrap and separate all parts in a clean work area.
8. For safety reasons, This hardware is recommended to be installed by 2 people

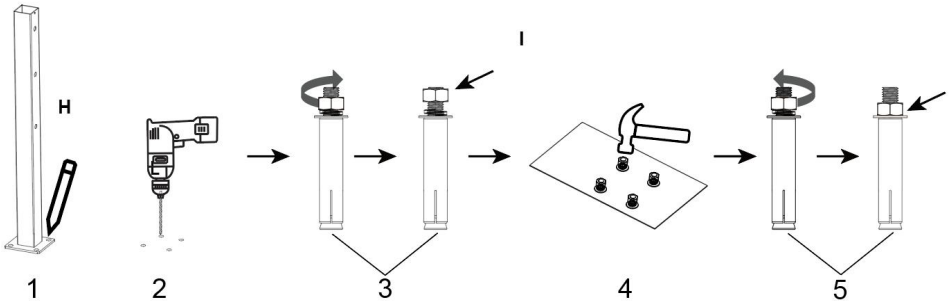
SAVE THESE INSTRUCTIONS

Part List

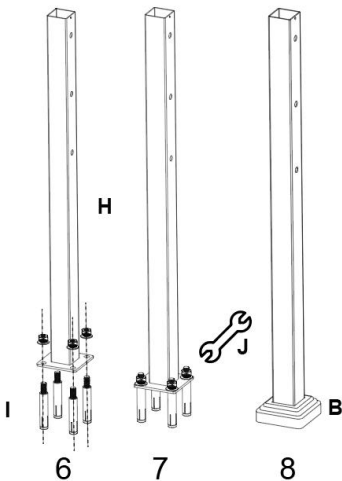
NO.	Name	Picture	Qty.
A	Nut M8		3
B	Lid		1
C	Screw M8*55		3
D	Short Handrail		1
E	Top Cap		1
F	Long Handrail		1
G	Screw M4*8		1
H	Pillar		1
I	Expansion Screw		4
J	Wrench		1
K	Screw M6*40		4

Product Installation

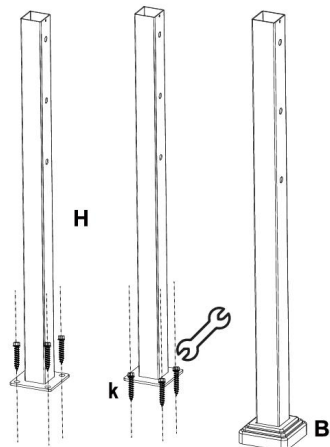
Step1:



- 1. Use the H bracket to place on the ground to draw the positioning circle.
- 2. Drill holes in the locating ring.
- 3. Before installing the expansionscrews, twist the nut to the top.
- 4. Then set the expansion screws into the pre-drilled holes, use a hammer to gently tap the head of the expansion screw to get it completely into the hole.
- 5. Tighten the nut. When the nut begins to tighten, the anchor inside the expansion screw expands and locks securely to the hole wall.



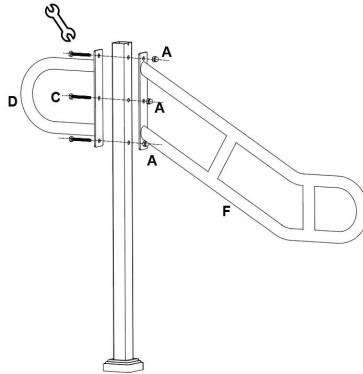
Concrete Ground
Assembly Method



Wooden Ground
Assembly Method

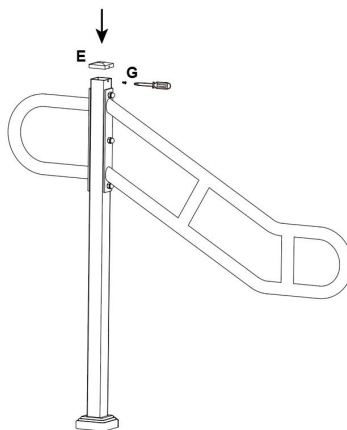
- 6. Unscrew the nuts of the expansion screws completely, Put the H bracket on the pre-embedded expansion screws.
- 7. Tighten the nut with a small wrench.
- 8. Put on the B fitting to cover the screws.

Step 2:



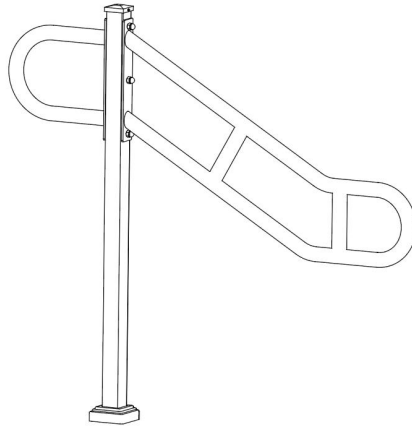
Secure the D fitting and F fitting to the H bracket and tighten the screws and nuts with a wrench.

Step 3:



Attach the E fitting to the H bracket and tighten it with a screwdriver.

Step 4:



Done!

Manufacturer: Shanghaimuxinmuyeyouxiangongsi

Address: Shuangchenglu 803nong11hao1602A-1609shi, baoshanqu, shanghai 200000 CN.

Imported to AUS: SIHAO PTY LTD. 1 ROKEVA STREETEASTWOOD NSW 2122 Australia

Imported to USA: Sanven Technology Ltd. Suite 250, 9166 Anaheim Place, Rancho Cucamonga, CA 91730

UK	REP
-----------	------------

YH CONSULTING LIMITED.
C/O YH Consulting Limited Office 147,
Centurion House, London Road,
Staines-upon-Thames, Surrey, TW18 4AX

EC	REP
-----------	------------

E-CrossStu GmbH
Mainzer Landstr.69,
60329 Frankfurt am Main.

VEVOR[®]

TOUGH TOOLS, HALF PRICE

Technical Support and E-Warranty Certificate

www.vevor.com/support